

JRACK

Roof Carrier J-Bar Kayak & Canoe Rack



**IF THERE IS ANY QUESTION ABOUT A CONDITION BEING SAFE OR UNSAFE,
DO NOT USE THIS PRODUCT!**

DO NOT RETURN THIS PRODUCT TO THE RETAILER - CONTACT CUSTOMER SERVICE.

If you experience a problem, have questions or need parts for this product, visit our website

<http://www.sportsmanseriesbrand.com> or call Customer Service at 1-888-287-6981, Monday-Friday,

8 AM - 4 PM Central Time, or email: info@sportsmanseriesbrand.com. A copy of the sales receipt is required.

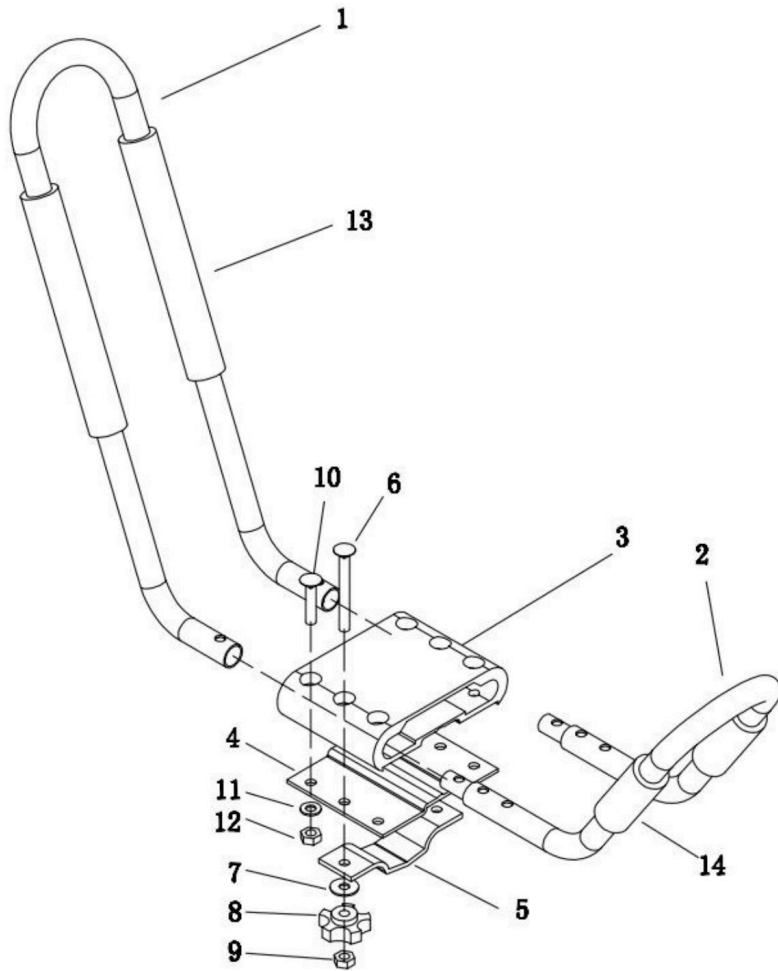
KEEP THIS MANUAL, SALES RECEIPT & APPLICABLE WARRANTY FOR FUTURE REFERENCE.

WARNING! IMPORTANT SAFETY INFORMATION

Misuse may result in serious injury or death.

- This is not a toy. Keep away from children.
- NEVER ride, stand, or sit on rack at any time.
- Check local and state laws before using rack.
- Confirm all nuts, bolts, straps, and other hardware is securely tightened prior to use.
- Do not use rack if damaged or missing parts.
- Do not modify rack.
- Do not exceed cargo load rating of your vehicle or rack.

- Maximum Capacity: 150 lbs (per pair of racks)
- Accommodates kayaks up to 36" wide.
- Cradles and supports your kayak.
- Wide mouth J bar makes it easier to load and unload.
- Will fit most factory or aftermarket round, square, oval and flat crossbars.

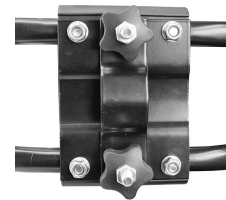


UNIVERSAL RACK ASSEMBLY INSTRUCTIONS

1. Insert long U-bar (part #1) and short U-bar (part #2) into plastic sleeve (part #3) with flat side facing upward as shown in the diagram - make sure to line up holes on all parts.

2. Align iron plate (part #4) with plastic sleeve. Insert short bolts (part #10) through each of the four corners of sleeve and through plate. Secure using washer (part #11) and self locking nut (part #12) under the sleeve, tighten.

3. Insert mounting bolt (part #6) through remaining holes and position rack on cross bars (not included), attach iron bracket (part #5), use ring nut/knob (part #8) to secure. Completely tighten all bolts and knobs.



PART	DESCRIPTION	QTY	PART	DESCRIPTION	QTY
1	Long U-bar	2	8	Ring Nut/Knob	4
2	Short U-bar	2	9	Nut M10	4
3	Plastic Sleeve	2	10	Short Bolt	8
4	Iron Plate	2	11	Small Washer	8
5	Iron Bracket	2	12	Self Locking Nut	8
6	Mounting Bolt	4	13	Long Foam Padding	4
7	Large Washer	4	14	Short Foam Padding	4

*Kit contains set of (4) 3" and (4) 2.5" mounting bolts for your convenience. Select the set length that best fits your vehicle.



Contains 2 Ratchet straps. To trim the straps, wrap masking tape around the area you wish to cut. Using a sharp knife or scissors, cut through the tape. Remove tape carefully and singe frayed ends with a lighter.