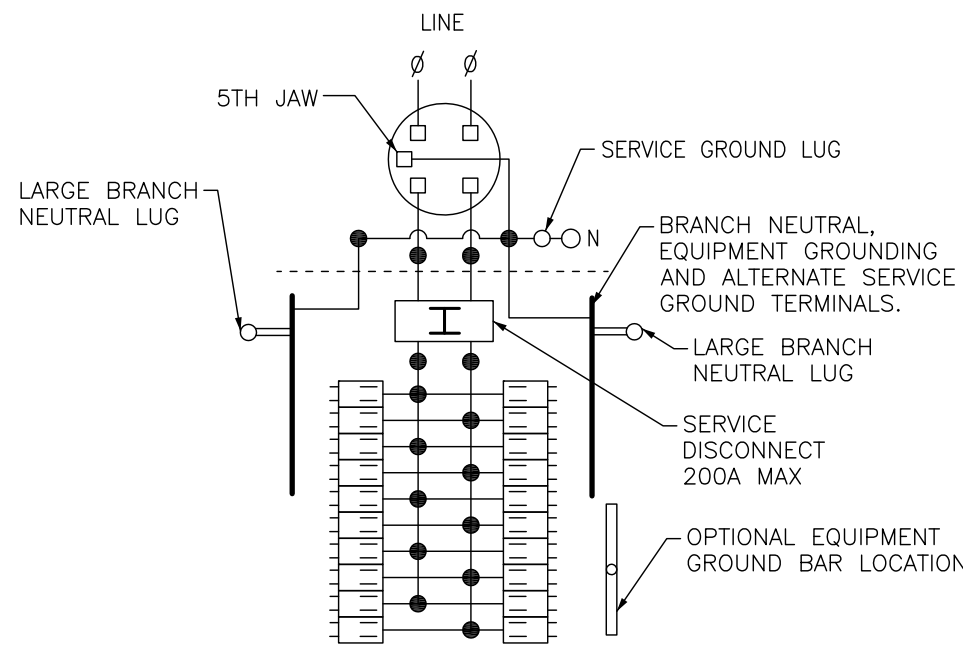
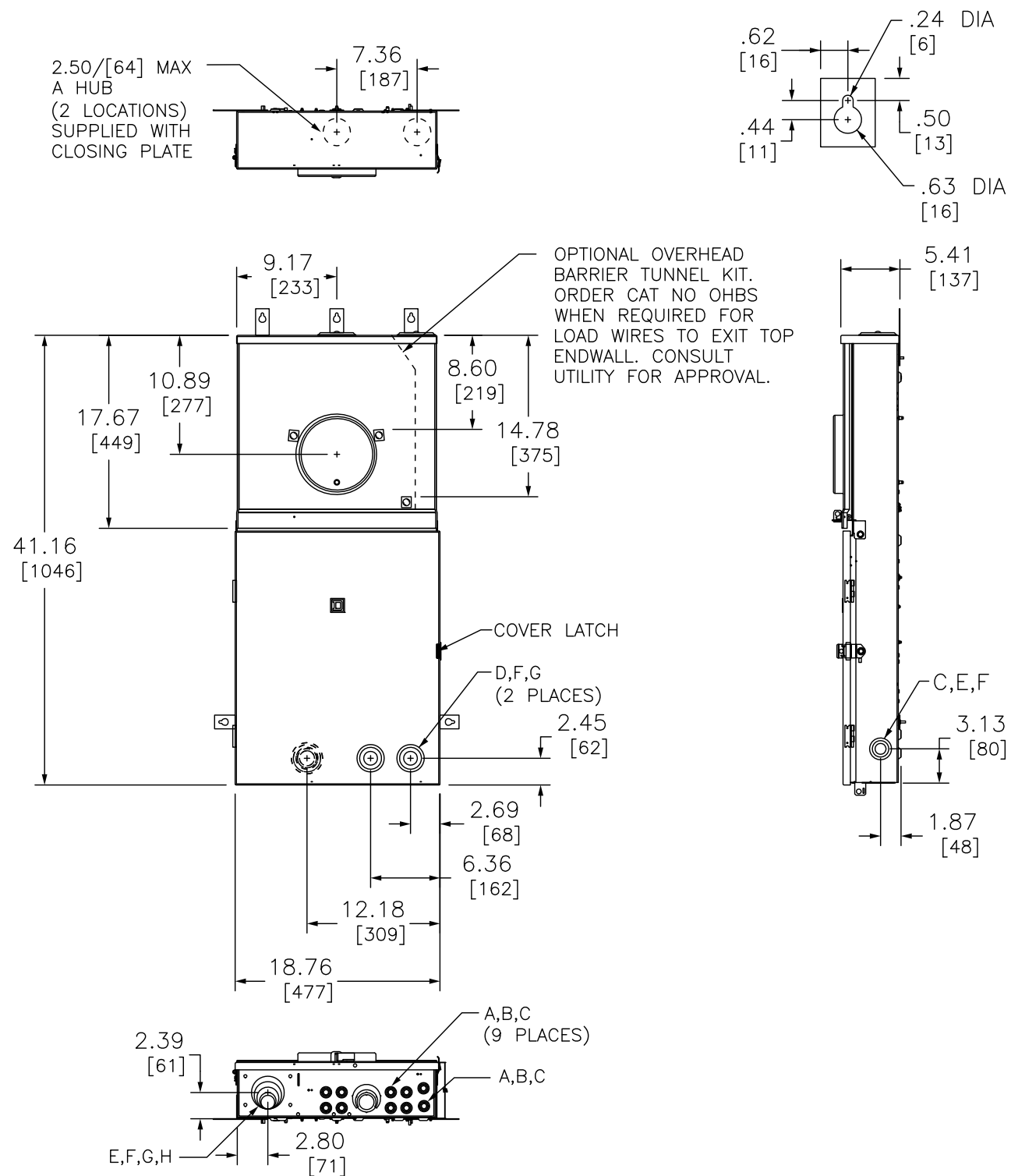


SYMBOL	KNOCKOUTS			
	CONDUIT SIZE		HOLE DIA	
	IN	MM	IN	MM
A	.50	13	.87	22
B	.75	19	1.12	28
C	1.00	25	1.37	35
D	1.25	32	1.75	44
E	1.50	38	2.00	51
F	2.00	51	2.50	64
G	2.50	64	3.00	76
H	3.00	76	3.62	92



● TWO SINGLE POLE, ONE PLUG-ON SPACE TYPE HOMT OR ONE SINGLE POLE TYPE HOM. TWO POLE TYPE HOMT, HOM OR HOMA (125A MAX) MAY PLUG ON TWO ADJACENT SPACES. TWO POLE TYPE HOMA (150-200A) MAY PLUG ON FOUR ADJACENT SPACES.

TOTAL CIRCUIT BREAKER HANDLE RATING NOT TO EXCEED 160A PER CIRCUIT CONNECTOR.


A SQUARE D UL LISTED SECONDARY SURGE ARRESTER MAY PLUG ON TWO ADJACENT SPACES. ORDER CATALOG NO HOM2175SB.

DUAL DIMENSIONS: INCHES MILLIMETERS

MAINS AMPERE RATING	FACTORY INSTALLED BYPASS TYPE	SHORT CIRCUIT CURRENT RATING	CATALOG NUMBER	SERIES	SPACES	MAXIMUM NUMBER OF SINGLE POLE HOM CIRCUITS	LINE SIDE PHASE & NEUTRAL LUGS AWG/KCMIL	SERVICE GROUND LUG AWG	LARGE BRANCH NEUTRAL LUGS AWG
200	NONE	22K	SO2040M200SS	M01	20	40	#6-350	#14-2/0 CU #12-2/0 AL	#14-1/0 CU #12-1/0 AL

NOTES:
 MAXIMUM SYSTEM VOLTAGE: 120/240VAC, 1Ø3W, 50-60HZ. 208Y/120VAC, 1Ø3W, 50-60HZ (FROM A 3Ø4W SYSTEM).
 FINISH - UL COMPONENT RECOGNIZED GRAY BAKED ENAMEL POWER COAT PAINT OVER CLEANED GALVANNEALED STEEL.
 SUITABLE ONLY FOR USE AS SERVICE EQUIPMENT.
 UL LISTED - FILE E-6294,
 SUITABLE FOR OVERHEAD SERVICE ONLY.

COMBINATION SERVICE ENTRANCE DEVICES
RING TYPE ALL-IN-ONE
HOMELINE 20-40 CIRCUIT
RAINPROOF NEMA TYPE 3R ENCLOSURE
SURFACE MOUNT ONLY


by Schneider Electric

DWG# PWFDS-SYRS-0046
NO.