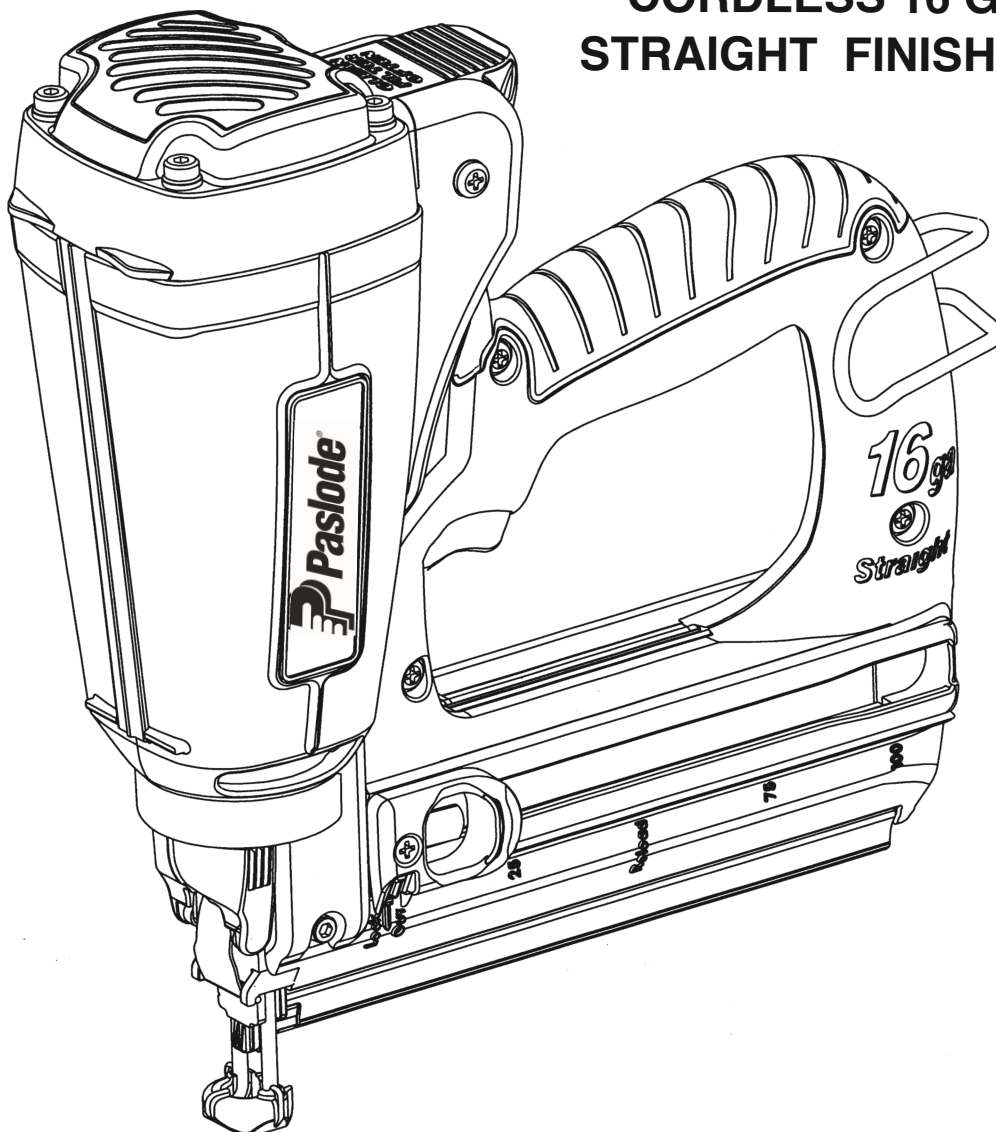




Part No. 902000

CORDLESS 16 GAUGE STRAIGHT FINISH NAILER



IMPORTANT! DO NOT DESTROY

It is the customer's responsibility to have all operators and service personnel read and understand this manual.

OPERATING MANUAL

Introduction and Warranty

Paslode Cordless 16 Gauge Straight Finish Nailer Operating Manual

This manual is intended to acquaint you with the Paslode Cordless 16 ga. Straight Finish Nailer. Unlike other power fastening tools, the Cordless Finish Nailer is powered by an internal combustion linear motor. In simpler terms, your Cordless Finish Nailer is powered by a motor similar to the one that powers an automobile. The Cordless Finish Nailer ignites a fuel and air mixture to produce the energy to drive the motor, which in turn drives the fastener. The Cordless Finish Nailer is totally self-contained. It carries its own fuel supply and battery, along with a supply of fasteners.

For ease of use, this manual is divided into sections (see Contents). Each section of the manual is written with you, the tool operator, in mind. We have left out many of the technical terms so that you can easily understand how to get the maximum performance from your Cordless Finish Nailer, and how to avoid damaging the tool or injuring yourself. But, to accomplish this, we need you to do two things:

1. READ THE MANUAL FROM COVER TO COVER BEFORE USING THE TOOL.

2. FOLLOW ALL INSTRUCTIONS IN THE MANUAL.

The Cordless Finish Nailer should be handled like other power fastening tools that you use. Like most tools, when used improperly injury could result. If you are going to allow others to use the Cordless Finish Nailer, it is your responsibility to make sure that they also read and comply with the instructions in this manual before attempting to operate the tool.

Should you have questions about the Cordless Finish Nailer, or wish to obtain additional copies of this manual, please contact your Paslode® representative. The space below is provided so that you may record your representative's name, address, and telephone number.

For the nearest Paslode representative call 1-800-682-3428.

Name _____

Address _____

City _____ State _____ Zip _____

Telephone Number _____

Paslode Cordless Warranty and Limitations

Paslode warranties that new Cordless power fastening tools, parts and accessories will be free from defects in material and workmanship for the period shown below, after the date of delivery to the original user.

ONE-YEAR LIMITED WARRANTY

A one-year warranty will apply to all parts, except those listed below as normal wearing parts, or parts which are specifically covered by an extended warranty.

FIVE-YEAR EXTENDED LIMITED WARRANTY

A five-year warranty will apply to all molded nylon parts:

- Cap and Grille
- Handle Halves and Actuator
- Trigger

90-DAY LIMITED WARRANTY

A 90-day warranty applies to the following parts, which are considered normal wear parts:

- Bumper
- Driver Blades
- O-Rings

WARRANTY STATEMENT

This warranty is limited to tools sold and service requested in the United States. To obtain information on warranty service in the United States, refer to the Service Center listing that was provided with your tool.

Paslode's sole liability hereunder will be to replace any part or accessory which proves to be defective within the specific time period. Any replacement part or accessory provided in accordance with this warranty will carry a warranty for the balance of the period of warranty applicable to the part it replaces. This warranty does not apply to part replacement required due to normal wear.


This warranty is void on any tool which has been subjected to misuse, abuse, accidental or intentional damage, use with fasteners, fuel, batteries, or battery chargers not meeting Paslode specification, size, or quality, improperly maintained, repaired with other than genuine Paslode replacement parts, damaged in transit or handling, or which, in Paslode's opinion, has been altered or repaired in a way that affects or detracts from the performance of the tool.


PASLODE MAKES NO WARRANTY, EXPRESSED OR IMPLIED, RELATING TO MERCHANTABILITY, FITNESS, OR OTHERWISE, EXCEPT AS STATED ABOVE, and Paslode's liability AS STATED ABOVE AND AS ASSUMED ABOVE is in lieu of all other warranties arising out of, or in connection with, the use and performance of the tool, except to the extent otherwise provided by applicable law. PASLODE SHALL IN NO EVENT BE LIABLE FOR ANY DIRECT, INDIRECT, OR CONSEQUENTIAL DAMAGES, INCLUDING, BUT NOT LIMITED TO, DAMAGES WHICH

Subject	Page
Introduction and Warranty	2
An Overview of the Paslode Cordless 16 Gauge Straight Finish Nailer.....	4
Safety Instructions.....	5
Battery and Charger	8
Fuel Cell and Metering Valve.....	10
Preparing the Paslode Cordless 16 Gauge Straight Finish Nailer for Use.....	13
Paslode Cordless 16 Gauge Straight Finish Nailer Operation.....	14
Fasteners and Applications	15
Servicing	16
Troubleshooting	18

The battery charger system meets all safety requirements for power tools.



 **Paslode**[®] is a trademark
Paslode
An Illinois Tool Works Company
888 Forest Edge Drive
Vernon Hills, Illinois 60061
www.paslode.com

 **Paslode**[®] Power Nailers are made in the U.S.A.

Paslode[®] is a member of:



Overview of the Paslode Cordless 16 ga. Straight Finish Nailer

Description

The Paslode Cordless 16 ga. Straight Finish Nailer is a self-contained, fully portable nailer that uses liquid hydrocarbon fuel to power a unique linear drive internal combustion motor.

In order for you to fully understand the information contained in this manual, you need a basic understanding of the Cordless Finish Nailer. As you can see in the illustration below, the Cordless Finish Nailer is made up of three major areas: handle, motor, and magazine.

As you examine the Cordless 16 ga. Straight Finish Nailer, become familiar with the three major assemblies and the various components located in each of them.

The **Handle Assembly** contains the fuel cell, indicator light, and the trigger.

The **Motor Assembly** contains the cover and filter, the motor housing, the nose, and the work contacting element.

The **Magazine Assembly** contains the components to load and control the fastener and the battery for the Cordless Finish Nailer.

Specifications

Dimensions:	Weight-with battery	4 lbs 12oz.
	Height	11-3/4 inches
	Length	10-1/2 inches
	Magazine	16 ga. Straight

Cycle Rate: Intermittent Operation – 2 to 3 nails per second

NOTE: Exceeding these cycle rates could cause the tool to overheat, resulting in loss of performance or damage to tool components.

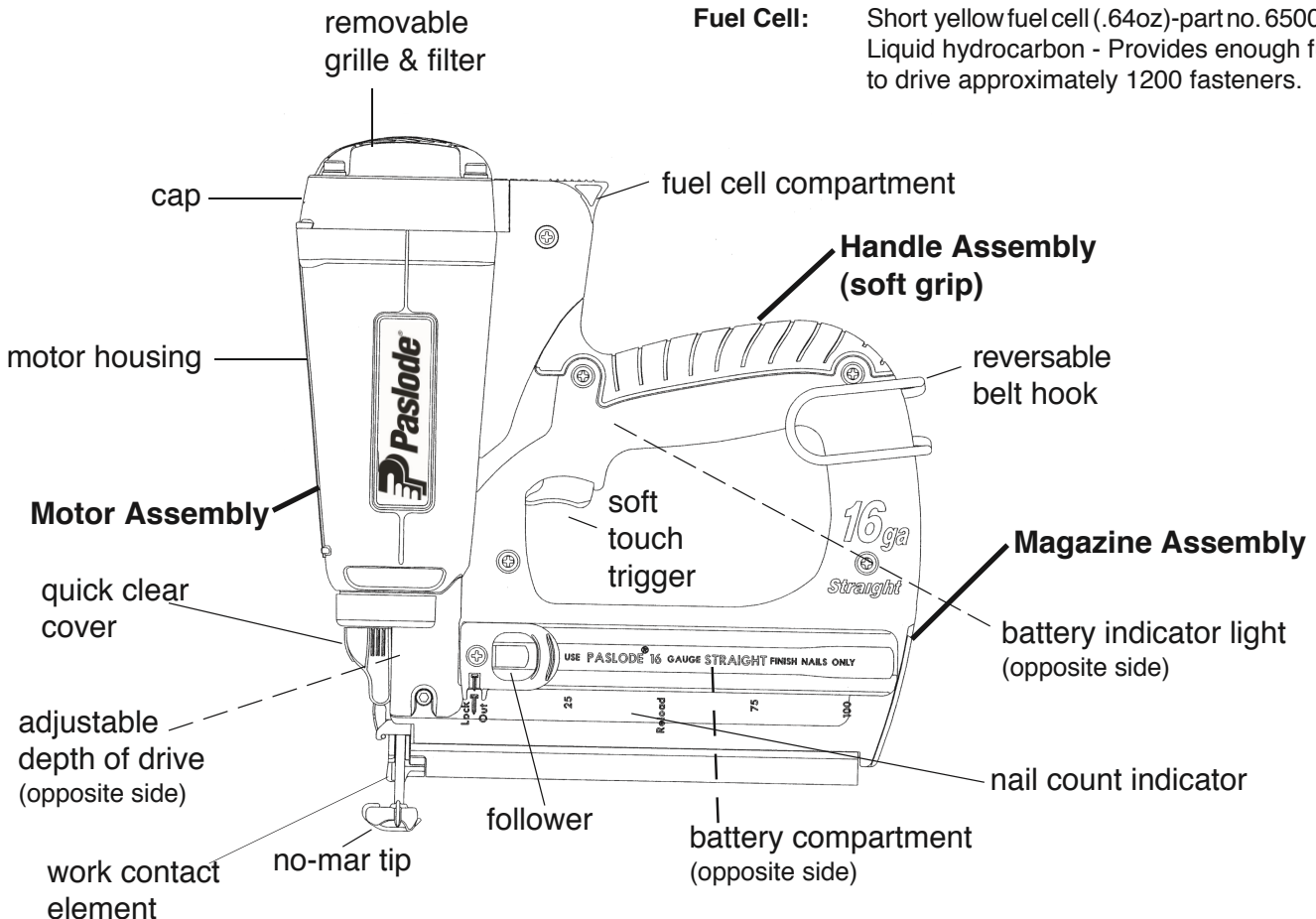
By using the Paslode Cordless 16 ga. Straight Finish Nailer at its recommended cycle rate, you will be able to drive several thousand nails in a typical workday.

Fasteners: 16 Gauge Straight

Magazine Capacity: 2 nail strips, or 110 fasteners



Battery : 6 volts DC - Provides enough energy to drive approximately 4000 fasteners on a full charge.



Fuel Cell: Short yellow fuel cell (.64oz)-part no. 650039
Liquid hydrocarbon - Provides enough fuel to drive approximately 1200 fasteners.

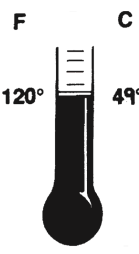





Safety Instructions

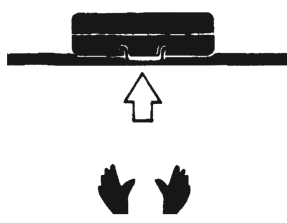

The following safety instructions have been included in this booklet to provide you with basic information necessary for safe operation of the Paslode Cordless 16 ga. Straight Finish Nailer. **DO NOT ATTEMPT TO OPERATE THIS TOOL UNTIL YOU HAVE READ AND UNDERSTAND ALL SAFETY PRECAUTIONS AND MANUAL INSTRUCTIONS.**

	 DANGER
	<p>The Cordless Finish Nailer is an internal combustion device. It produces hot exhaust gases that may ignite flammable materials. This tool must not be used in a combustible environment or in the presence of combustible materials, such as flammable chemicals, adhesives, gasoline, or solvents.</p>

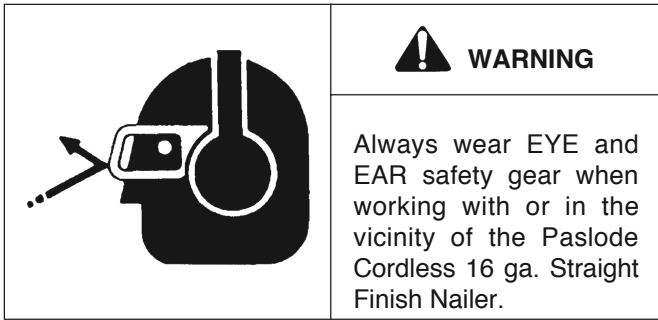
	 WARNING
	<p>Do not attempt to operate this tool until you have read and understood all safety precautions and manual instructions. Failure to follow all safety precautions and instructions may result in a permanent loss of vision, serious personal or even fatal injury, property damage and/or tool damage.</p>

	 WARNING
	<p>Do not expose the tool to temperatures in excess of 120° F (49° C). Fuel and/or the battery may burst, releasing flammable gas.</p>

	 WARNING
	<p>This tool must be operated only in a well-ventilated environment, because the tool exhausts carbon monoxide similar to a gas chainsaw or lawnmower. Exposure to carbon monoxide may cause dizziness, nausea, or unconsciousness.</p>

	 WARNING
	<p>ALWAYS keep the Cordless Straight Finish Nailer, fuel cell, battery and battery charger out of the reach of children.</p>

Safety Instructions



1. Eye protection must meet the requirements of ANSI Standard Z87.1 and should have side shields for increased protection.
2. NEVER ASSUME THE TOOL IS EMPTY.
Never point the tool at yourself or anyone else.
3. NEVER ENGAGE IN "HORSEPLAY" WITH THE TOOL.
The Cordless Finish Nailer is not a toy – it is a tool. Careless and improper use may result in a serious accident.
4. NEVER CARRY THE TOOL WITH YOUR FINGER ON, OR SQUEEZING, THE TRIGGER.
This practice may result in the accidental discharge of a fastener.
5. NEVER OPERATE A MALFUNCTIONING TOOL.
Refer to the servicing or troubleshooting section of this manual to correct the problem. If the problem cannot be corrected, stop using the tool and report it to your supervisor or Paslode® representative.
6. DO NOT LOAD FASTENERS WITH THE TRIGGER AND/OR WORK CONTACTING ELEMENT PRESSED IN.
A fastener may be accidentally discharged.

7. NEVER OPERATE THE TOOL WITH THE WORK CONTACTING ELEMENT REMOVED OR DISABLED.

This device helps reduce the possibility of accidental fastener discharge by preventing the tool from operating until it is completely against the work surface.

NEVER operate the tool if the work contacting element is not working properly.

8. ALWAYS POINT THE TOOL AWAY FROM YOURSELF AND OTHERS WHEN CLEARING JAMS OR REMOVING FASTENERS.

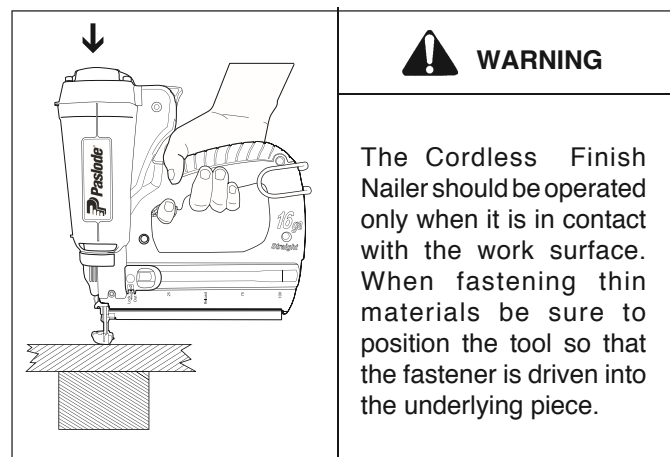
Pull the follower slightly back and push the release lever. Tip the tool nose up slightly and fasteners should slide out of the rear of the magazine. If fasteners are jammed, refer to the appropriate servicing section of this manual.

9. NEVER OPERATE THE CORDLESS FINISH NAILER IF PARTS ARE LOOSE, DAMAGED OR MISSING.

10. DO NOT DRIVE FASTENERS INTO KNOTS OR ON TOP OF OTHER FASTENERS.

A fastener may ricochet and cause serious injury.

11. OPERATE THE TOOL ONLY ON THE WORKPIECE.




Safety Instructions

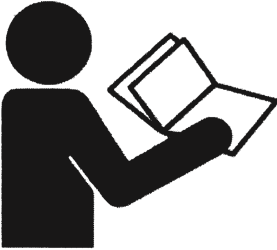
12. NEVER DRIVE FASTENERS INTO AREAS WITH CONCEALED HAZARDS.

Always check the area behind the work surface for electrical wiring, gas pipes, water pipes, sewer drains or other potential hazards.


13. ALWAYS MAINTAIN SECURE AND UNOBSTRUCTED FOOTING WHEN ON LADDERS, PLATFORMS OR OTHER HIGH LOCATIONS.

	<p>! WARNING</p> <p>Never over-reach, since tool recoil may cause a loss of balance. Always be aware of edges and drop-offs when nailing on rooftops and other high locations. Keep them in full view.</p>
---	---

14. ALLOW ONLY QUALIFIED PERSONNEL TO OPERATE THE CORDLESS FINISH NAILER.

	<p>! WARNING</p> <p>Only persons who have read and fully understand all tool operation safety and maintenance instructions should be allowed to operate the tool.</p>
---	--

15. PROPERLY STORE FUEL CELL.

	<p>! WARNING</p> <p>Always store fuel cells where they will not be exposed to an open flame, sparks or temperatures above 120° F (49° C).</p>
--	--


16. ALWAYS STORE THE TOOL WITH THE FUEL CELL AND BATTERY REMOVED.

Store the fuel cell in the case with the Cordless Finish Nailer.

17. KEEP THE TOOL CLEAN.

A clean tool is less likely to jam or malfunction.

18. KEEP YOUR HANDS CLEAR OF THE WORK AREA SURFACE.

	<p>! WARNING</p> <p>A fastener may exit at an angle unexpectedly and cause injury.</p>
--	---

Battery Disposal:



The Paslode batteries contain cadmium and must be recycled or disposed of properly. It is illegal in some areas to place a nickel-cadmium battery into the trash or solid waste stream. You may contact your local recycling center for information on where to return the spent battery or call 1-800-822-8837 for information on Ni-Cd battery recycling in your area.

Battery and Charging System

Battery and Charging System

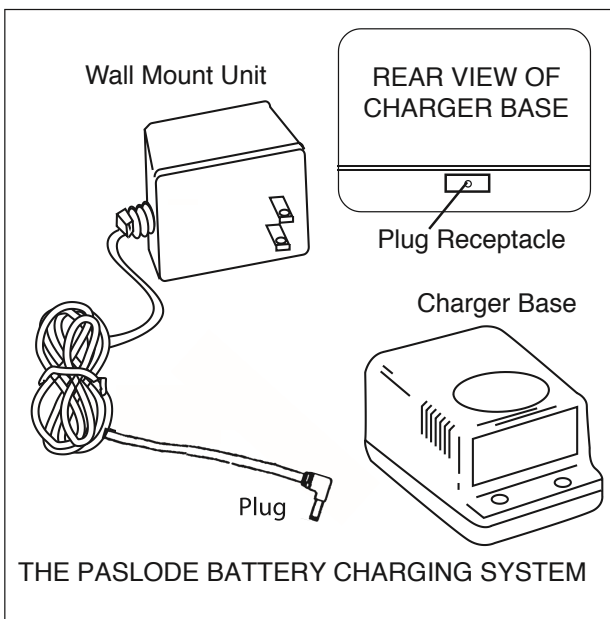
The Paslode Cordless tools come with a rechargeable battery and its own charging system. This charging system is the only one that will work with the Paslode batteries (either round or oval). The first step in preparing a new tool for operation is to fully charge the battery. New batteries are shipped discharged and must be charged prior to first use. Batteries will take 5 minutes to 2 hours (time will be dependant on the amount of discharge of the battery) to recharge.

Important Charging Notes

	 Warning
	CHEMICAL/EXPLOSION HAZARD Read ALL instructions before charging or using battery. Failure to follow ALL instructions may result in fire, severe burns, or release of toxic materials.

Battery Disposal:

The Paslode batteries contain cadmium and must be recycled or disposed of properly. It is illegal in some areas to place a nickel-cadmium battery into the trash or solid waste stream. You may contact your local recycling center for information on where to return the spent battery or call 1-800-822-8837 for information on Ni-Cd battery recycling in your area.



Charging Instructions

1. Remove wall mount unit with the orange label from the tool case and plug into a 120V AC outlet. Set orange charger on a stable surface and insert wall mount unit's plug into plug receptacle on the back of the charger (see picture). A green light indicates power is on and charger circuit is ready.
2. Remove the battery from tool or case and insert terminals down into charger. The red light will come on indicating that the battery is charging and the green light will go out.

NOTE

If battery is completely discharged, the red light and the green light may flash back and forth for up to 20 minutes. This safety feature slowly recharges the battery until it is ready to accept the full charging current. If the red and green lights continue to flash after 20 minutes, replace the battery.

3. After charging is complete, the red light will go out and the green light will come on, indicating that the battery is fully charged. The charger will keep the battery at full charge until it is removed.
4. Unplug the wall mount unit from the charger and remove the wall mount unit from the 120V AC outlet.

CHARGING TIMES:

First charge (new battery)	2 hours
Discharged Battery	5 minutes to 2 hours

CHARGING DON'TS:

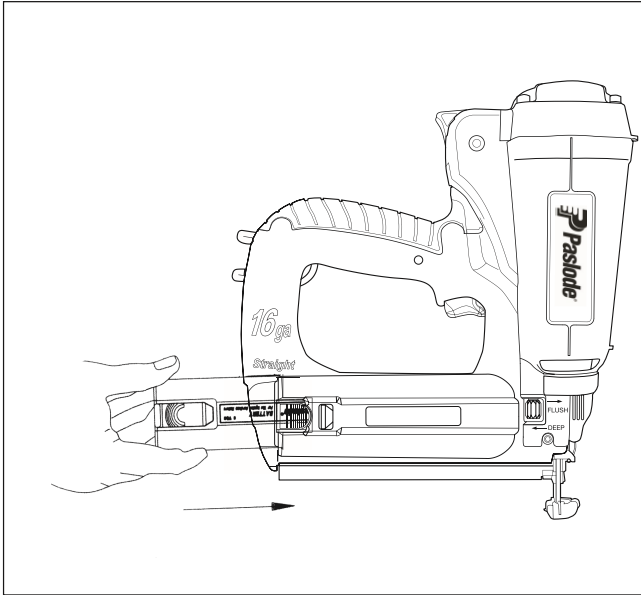
1. Do not charge battery outdoors or in temperatures below 40°F (5°C).
2. Do not allow metal objects to come in contact with battery terminals.
3. Do not puncture or attempt to open battery case or cells.
4. Do not store battery where it will be subjected to temperatures above 120°F (49°C).
5. Do not incinerate battery.
6. Do not use a defective battery charger, one that over-heats and/or smokes when plugged in.
7. Do not immerse the battery in water.

Charging System Accessories:

Battery Charger Kit - Part No. 900200
Wall Mount Transformer* - Part No. 900477
Battery Charger Base* - Part No. 901230
Automotive Adapter* - Part No. 900507

* Cannot use with previous (gray in color) charging system components.

Battery and Charging System

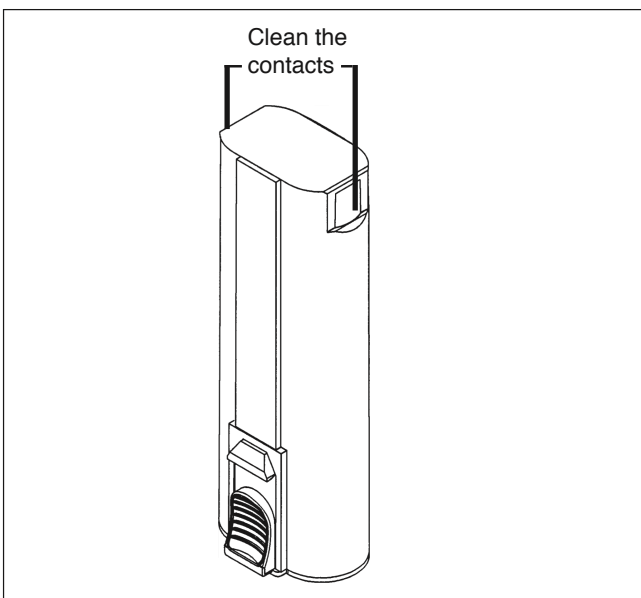


Inserting Battery

1. Load the battery, contacts first, into the Cordless Finish Nailer.
2. Push battery fully forward into its locked position.
3. To remove battery, push down on locking tab and slide battery out.

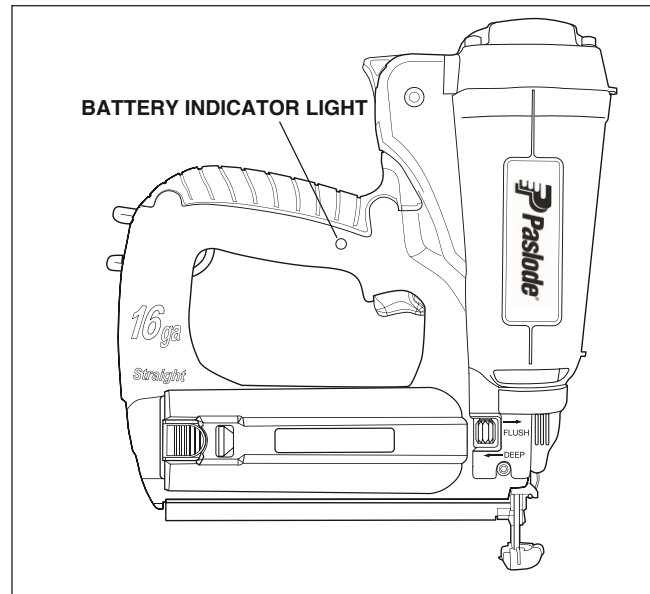
NOTE: If battery is left in tool for an extended period, the battery will discharge completely and will require recharging.

IMPORTANT: Should your battery terminals become corroded and cause poor electrical contact, clean the terminals using a soft cloth.





Battery Indicator Light


On the right side of the handle is a small plastic lens. This is the battery indicator light. When you insert a fully-charged battery into the tool, you will see a blinking green light. If the indicator light blinks red, recharge the battery.



Fuel Cell and Metering Valve

Fuel Cell

	 DANGER
	<p>EXPLOSION/FIRE HAZARD</p> <p>Read ALL safety instructions before using or handling the fuel cell. Failure to follow ALL instructions may result in explosion or fire. This may cause severe personal injuries or property damage.</p> <p>Keep the fuel cell away from heat, sparks and open flame.</p> <p>Exposure to temperatures above 120°F (49°C) may cause the fuel cell to burst, releasing flammable gas.</p>

 WARNING
<p>Sunlight can raise the inside temperature of an unventilated car or van to above 140°F (60°C).</p> <p>Never puncture or attempt to open the fuel cell; it is non-refillable.</p> <p>Never incinerate, reclaim or recycle the fuel cell.</p> <p>Never smoke while installing or operating the metering valve.</p> <p>Never inhale the spray.</p> <p>Keep out of the reach of children.</p> <p>Store fuel cell(s) in well-ventilated areas only.</p>

There is a second container inside the fuel cell. The inner container holds the fuel. The space between the inner container and the outer cylinder is filled with a gas, called the propellant, which is under pressure.

To eject the fuel, propellant pressure squeezes the inner fuel container, much as you squeeze a tube of toothpaste. This squeezing action ensures that all the fuel is used, and that the Cordless Finish Nailer can operate in any position.

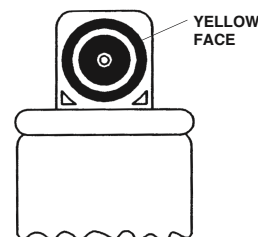
Because of this container-within-a-container design, you might hear the sound of fluid when shaking the fuel cell after all the fuel has been used. This is the propellant, which remains between the containers even after all the fuel has been expelled.

If you expose the empty fuel cell to extreme temperatures, the propellant gas will expand and could cause the container to burst, releasing flammable gases.

Metering Valve

The metering valve contains a fuel metering system to inject the correct amount of fuel into the combustion chamber.

The metering valve with the **yellow face** is the only valve that will operate properly with the Cordless 16 ga. Straight Finish Nailer.



NOTE
<ol style="list-style-type: none"> Do not attempt to reuse the metering valve! Replace with fresh fuel cell/valve, and dispose of spent cell/valve properly. When replacing fuel cell also clean the air filter for optimum tool operation.

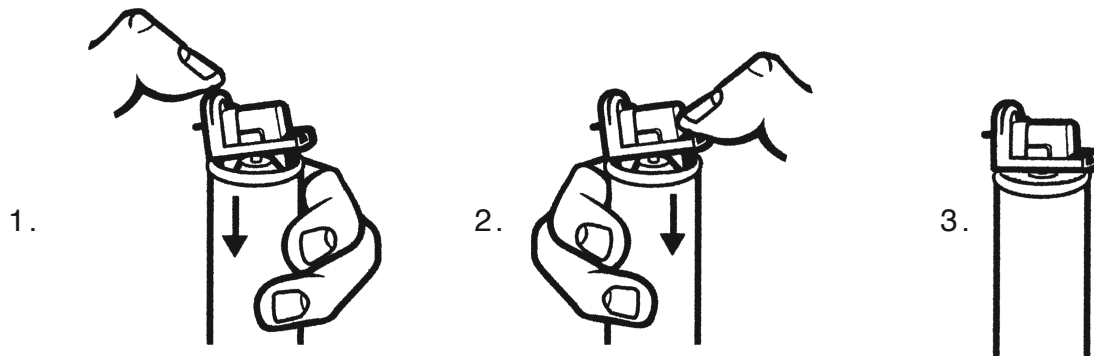
NOTE: Altitude Restriction
<p>Paslode Cordless technology is powered by an internal combustion engine and is effected by altitude. The tool may lose power or not cycle consistently at elevations of 4000 feet or greater. When using the tool at elevations of 4000 feet it is recommended to use the blue high altitude fuel metering valve part #219247.</p>

Fuel Cell and Metering Valve

Installing Metering Valve to Fuel Cell Prior to Use

To install the metering valve to a fuel cell:

1. Press downward on the front side of the valve (stem side) until it seats.
2. Press downward on the rear side of the valve until it seats.
3. The valve is now completely seated onto the fuel cell and can be inserted into the tool.



NOTE:

Paslode Cordless Fuel Cells are marked with an expiration date on the bottom of the cell. For maximum performance use fuel before expiration date.



Paslode Cordless Fuel Cells are flammable.
Do not smoke when installing the metering valve!

Paslode Cordless Fuel Cell Disposal Guidelines

Paslode the industry leader in cordless technology provides this information to assist users with the proper disposal of discarded fuel cells. Acceptable disposal options vary depending on the type of fuel cell users. All users must consider federal, state and local solid waste regulations to ensure that discarded fuel cells are disposed of properly. Users must contact their local solid waste authority for further guidance.

Discarded fuel cells (used or unused) may be considered hazardous waste under the Resource Conservation and Recovery Act (RCRA) depending on several factors as described in the paragraphs that follow. Upon disposal used and unused fuel cells may be classified as ignitable hazardous waste (waste code D001) under U.S. EPA regulations.

Hazardous waste generated by homeowners and contractors who perform routine maintenance for homeowners in their homes are not regulated by RCRA. In general, "household wastes" generated by homeowners and their contractors are exempt from hazardous waste regulation because those wastes are expressly excluded from the definition of hazardous waste. For example US EPA has excluded as "household waste" aerosol cans that contain residual product and propellant. Thus under federal hazardous waste regulations homeowners and contractors may dispose of discarded fuel cells as general refuse in a properly permitted municipal landfill. These users must still contact their local solid waste authority to determine if any state or local regulation prohibits or restricts such disposal.

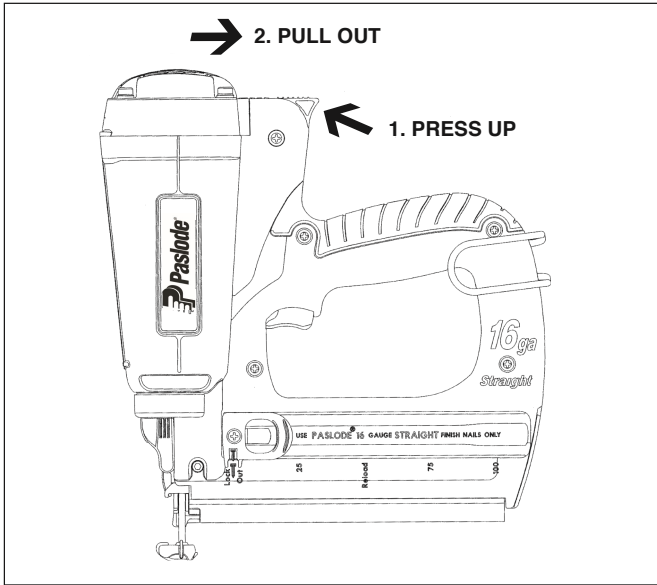
Paslode takes no responsibility for proper fuel cell disposal. Proper disposal remains the responsibility of sellers and users. All sellers and users must contact their local solid waste authority to determine if any federal, state or local regulation prohibits or restricts disposal. Users may obtain more information about U.S. EPA hazardous waste regulations at the following internet address: www.epa.gov/epaoswee.osw/hazwaste.htm

Alternatively users may contact U.S. EPA's RCRA Superfund Call Center at 1-800-424-9346 to receive more information.

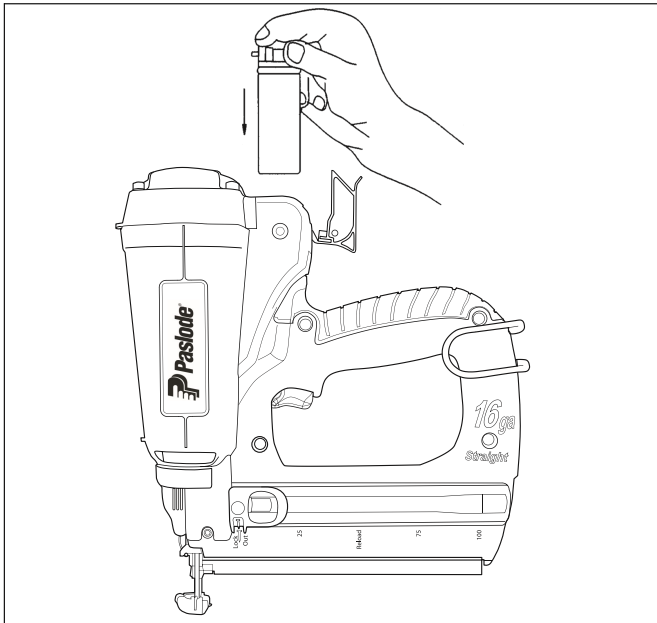
Fuel Cell and Metering Valve

Inserting Fuel Cell

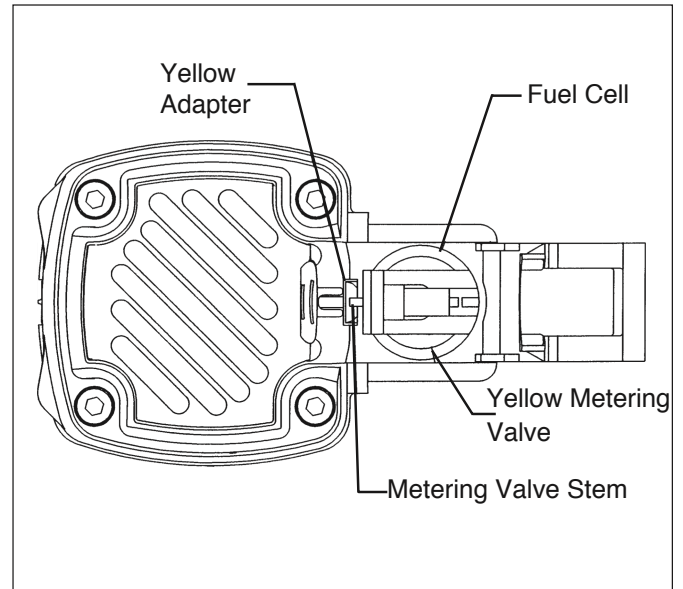
Inserting the metering valve/fuel cell assembly into the Cordless Finish Nailer is very simple. To begin, press up at the bottom of the actuator cover and pivot outward to open. The cover will swing out of the way.



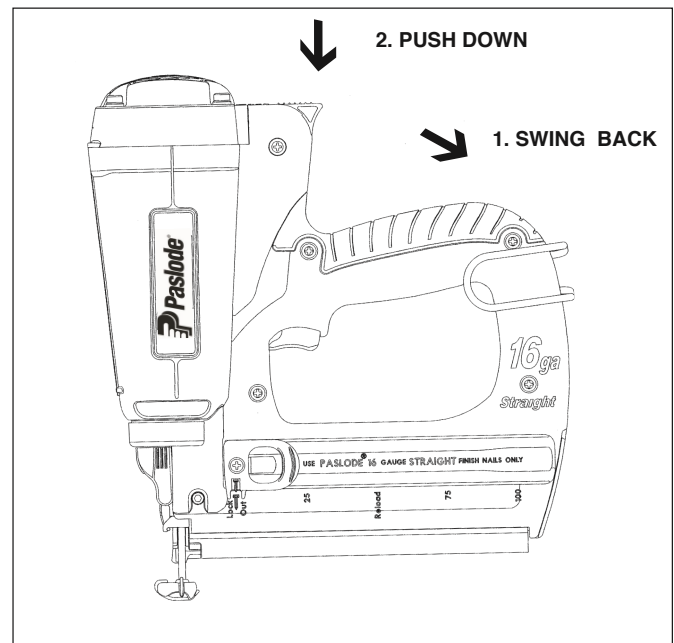
Next, with the metering valve stem pointed toward the front of the tool, insert the metering valve/fuel cell assembly.



As you slide the metering valve/fuel cell assembly into the Cordless Finish Nailer, you will notice a **yellow** adapter at the top of the cylinder pocket. As shown in the illustration, this adapter is designed to ensure that the metering valve stem is properly aligned with the small hole, or orifice, that leads to the combustion chamber. Insert the metering valve stem into the orifice of the **yellow**-colored adapter.



Close the actuator cover to complete the loading of fuel in the Cordless Finish Nailer. Do this by swinging it up and over the metering valve/fuel cell assembly, and pushing down until the actuator cover snaps into position.



Preparing the Paslode Cordless 16 ga. Straight Finish Nailer

Fasteners

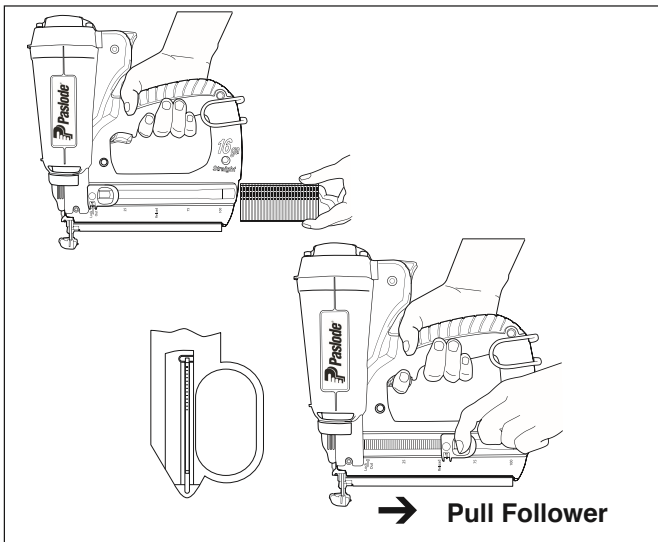
The Paslode Cordless 16 ga. Straight Finish Nailer drives Paslode® 16 gauge straight fasteners designed to be used with the tool. The use of fasteners that do not meet Paslode standards could cause tool damage and will void all warranty claims.

Loading Fasteners

Step 1: Insert one or two strips of Paslode 16 Gauge Straight Finish Nails into the rear of the magazine and slide forward.

Step 2: While applying pressure to the release lever, pull the follower toward the rear of the magazine until the follower passes the last strip of nails.

Step 3: Release the lever on the follower and let the follower push the nails forward into the nose of the tool.



In the illustration above, you will see an indicator arrow on the side of the follower. When the indicator arrow is in the reload area, marked on the side of the magazine, you may insert a new strip of nails. When the indicator arrow reaches the lockout area the tool automatically locks, preventing the tool from operating. To unlock the tool, simply reload another strip of nails.

Lockout Feature

The purpose of this feature is to prevent needless blank cycling, which could mar woods, waste fuel and damage tool components. Ten (10) nails will be left in the magazine when the follower reaches the lockout area. When changing fastener length or loading at the beginning of the work day, you should inspect the magazine and nose for any fasteners left in the tool. These nails will not be visible unless you open the nose of the tool.

Paslode Cordless 16 ga. Straight Finish Nailer and Outdoor Weather

Use the Cordless Finish Nailer outdoors, in dry weather, when the nailer, fuel cell, and battery are between 20°F (-7°C) and 120°F (49°C).

HOT WEATHER OPERATION

The Cordless Finish Nailer requires cooling of the motor assembly to operate properly. The fan normally provides the necessary air flow to permit continuous operation. Whenever the Cordless Finish Nailer is idle for extended periods, keep the fuel and tool out of direct sunlight and in surroundings where temperatures will not exceed 120°F (49°C). After extended periods of continuous use, it may be necessary to cool the motor by setting tool aside for 10-15 minutes or until the tool operates normally. An overheated tool may not drive nails completely or may operate erratically.

COLD WEATHER OPERATION

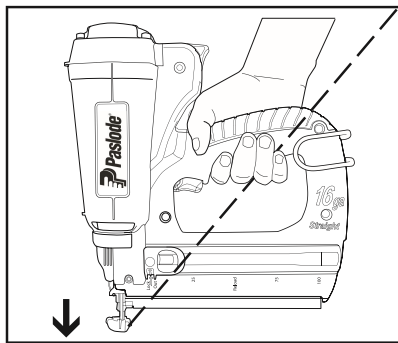
Fuel cells at cold temperatures lose the required propellant pressure. Bring the tool, fuel cell, and battery above 20° F (-7° C) by placing the tool in a heated building or vehicle. Never expose the tool, fuel cell or battery to flame

CAUTION

The Cordless Finish Nailer should not be used in the rain or where excessive moisture is present. The use of Paslode Cordless Technology under these conditions may result in damage to tool components and cause the tool to malfunction.

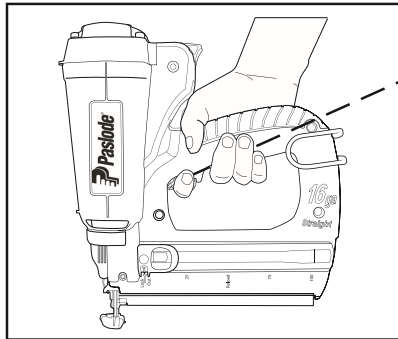
Paslode Cordless 16 ga. Straight Finish Nailer Operation

Operation:

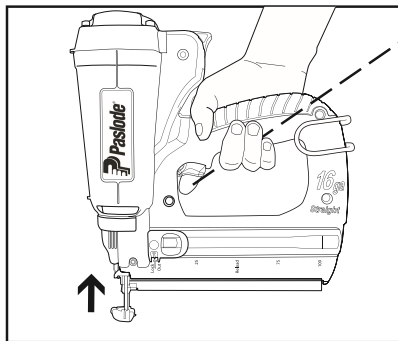


PRESS WORK – CONTACTING ELEMENT AGAINST THE WORK SURFACE.

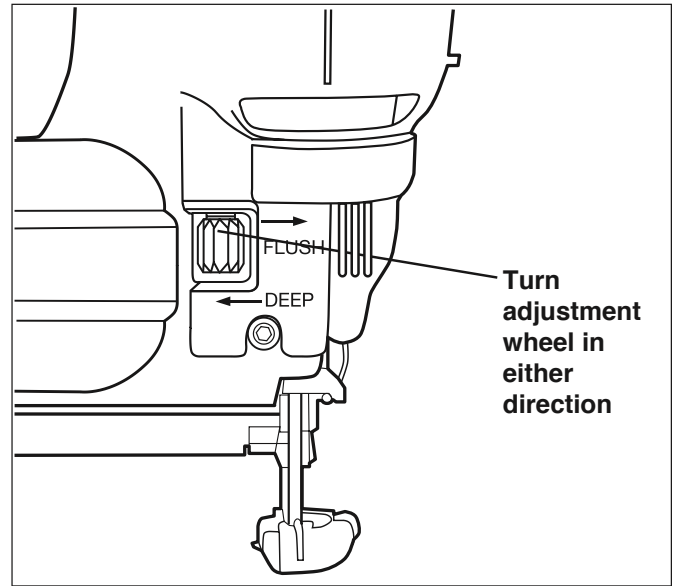
Fan motor starts, fuel is injected into combustion chamber and mixed with air by the fan.



SQUEEZE TRIGGER
Spark plug ignites the fuel/air mixture driving the piston assembly down on the fastener.



RELEASE TRIGGER - LIFT TOOL
Combustion chamber opens. Fan exhausts hot gases and cools internal components.



Depth of Drive Adjustment

Remove the battery before adjusting the depth of drive.

The depth of drive adjustment is done by turning the adjustment wheel as shown by the arrows on the side of the tool.



DANGER

The work contacting element and nose will become hot after prolonged or rapid use. If it becomes necessary to adjust the work contacting element, avoid touching with bare hands.



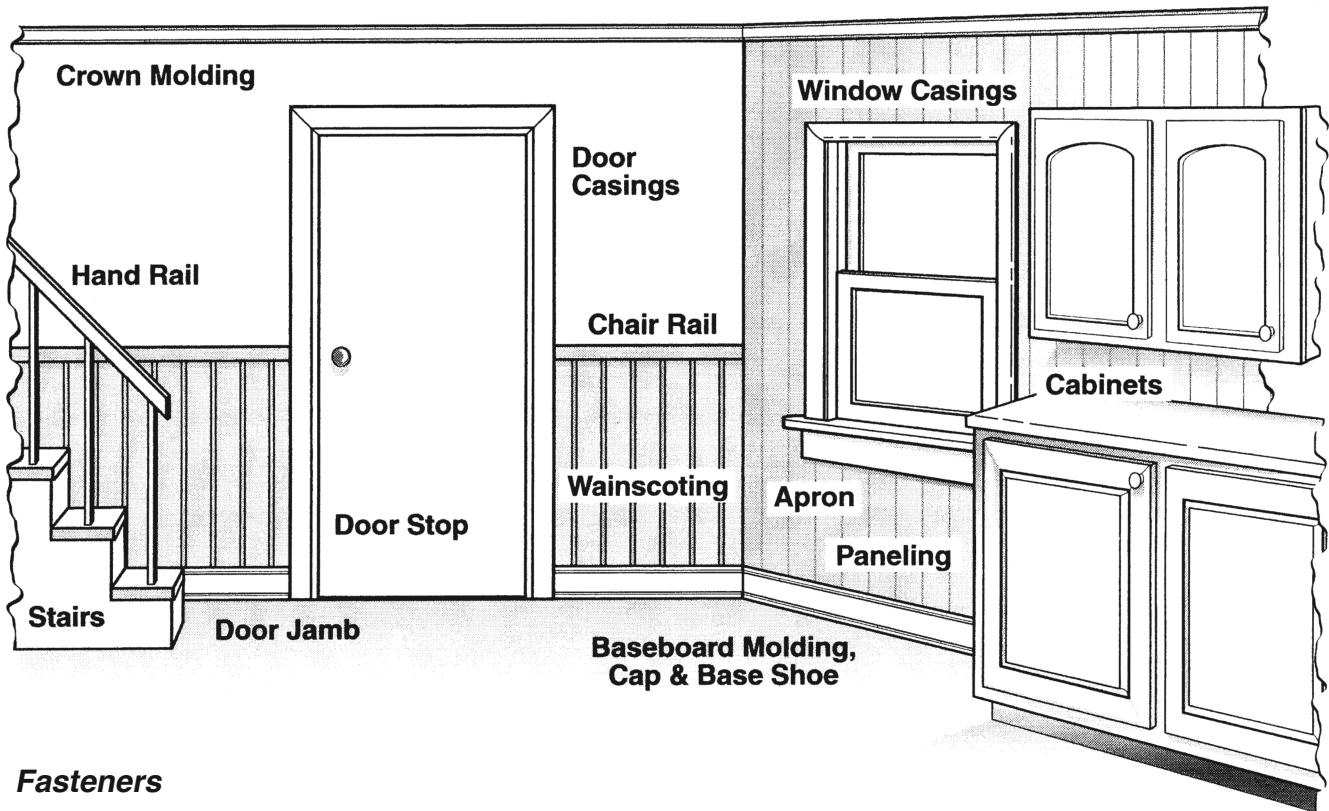
CAUTION

This tool must be operated in a well ventilated environment, because the tool exhausts carbon monoxide similar to a chainsaw or lawn mower. Exposure to carbon monoxide may cause dizziness, nausea or unconsciousness.

Fasteners and Applications

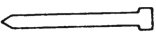
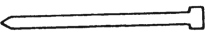
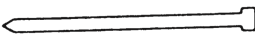
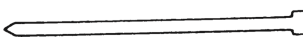
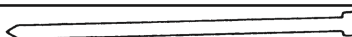
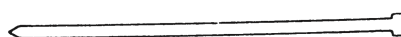
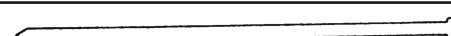
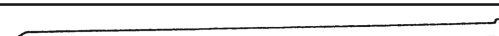
Applications

The Paslode Cordless 16 ga. Straight Finish Nailer is suited for a variety of applications. These include securing door and window casings; attaching baseboards where walls meet floors; attaching moldings where walls meet ceilings; securing paneling; securing chair rails, picture molding and other decorative trim.



Fasteners

The Paslode Cordless 16 ga. Straight Finish Nailer drives Paslode 16 ga. Straight Finish Nails. Fasteners are collated into strips of 50 for easy loading. Paslode fasteners are designed to be used in Paslode tools, use of other fasteners may cause damage to the tool or injury to the tool operator.

THE PASLODE CORDLESS 16 ga. STRAIGHT FINISH NAILER DRIVES THESE NAILS	PART NO.	LENGTH	TYPE
	650280	3/4"	Panel, Bead Molding*
	650281	1"	Panel, Cap/Shoe Molding*
	650282	1-1/4"	Cap/Shoe Molding*
	650283	1-1/2"	Baseboard, Crown, Chair
	650284	1-3/4"	Baseboard, Crown, Chair
	650285	2"	Baseboard, Casings, Crown
	650286	2-1/4"	Casings
	650287	2-1/2"	Casings

Restrict Field Service to the Following

- CHECKING THE ENERGY LEVEL OF THE BATTERY
- RECHARGING THE BATTERY
- CHECKING THE FUEL CELL AND METERING VALVE
- REPLACING THE FUEL CELL
- CLEANING/REPLACING THE AIR FILTER
- CLEARING A JAM
- CLEANING THE TOOL (See cleaning manual)

Attempts to go beyond these procedures could result in serious personal injury or damage to the Cordless Finish Nailer and voiding the warranty.

There are certain problems you may encounter when you are using the Cordless Finish Nailer that you will be able to correct on the work site. The following field service procedures are the only service procedures you should attempt. Anything else that may appear wrong with the Cordless Finish Nailer should only be diagnosed and repaired by a fully trained service technician. If you have any reason to believe that your problem is beyond the service procedures in this manual, contact your Paslode® representative immediately.



DANGER

Never attempt any maintenance of a Paslode Cordless tool without first removing the fuel cell and battery. Maintenance should be started only after the tool is completely inoperative.

Battery Check

Periodically check on the battery indicator light (the light in the handle) of the Cordless Finish Nailer. When encountering a problem, the first step should always be to make sure the battery has enough charge to operate the tool.

When the work contacting element is depressed on the work piece, the fan motor will turn on and the blinking green indicator light will turn solid green. If the indicator light blinks red or glows red, recharge the battery.

Fuel Cell Check

If the Cordless Finish Nailer's fan operates and the indicator light is green, but the tool will not cycle or does not drive fasteners completely, check the fuel cell. With the fuel cell out of the tool, check to see if the cell still contains fuel and that the metering valve is working. To determine if there is any fuel left in the fuel cell, hold in the upright position and simply place the metering stem against a solid object, and gently push about three or four times. A small amount of fuel should be released each time.



DANGER

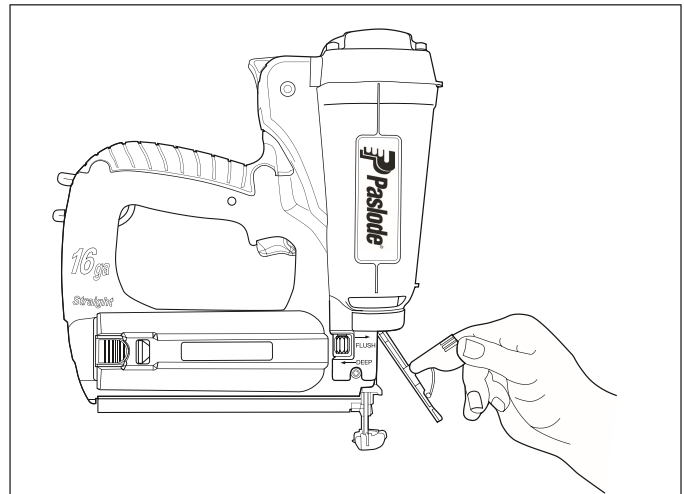
Wear safety glasses when performing this test. Never perform this test near an open flame or sparks, while smoking, or where the fuel may get into your eyes.

If fuel is not released with each operation of the metering valve, this indicates that there is no more fuel left in the cylinder and it must be replaced. Dispose of the empty fuel cell properly. (see page 16.)

Clearing a Jam

An occasional problem you may encounter is a jammed fastener. Because of the unique design of the Cordless Finish Nailer, clearing a jammed fastener is easy:

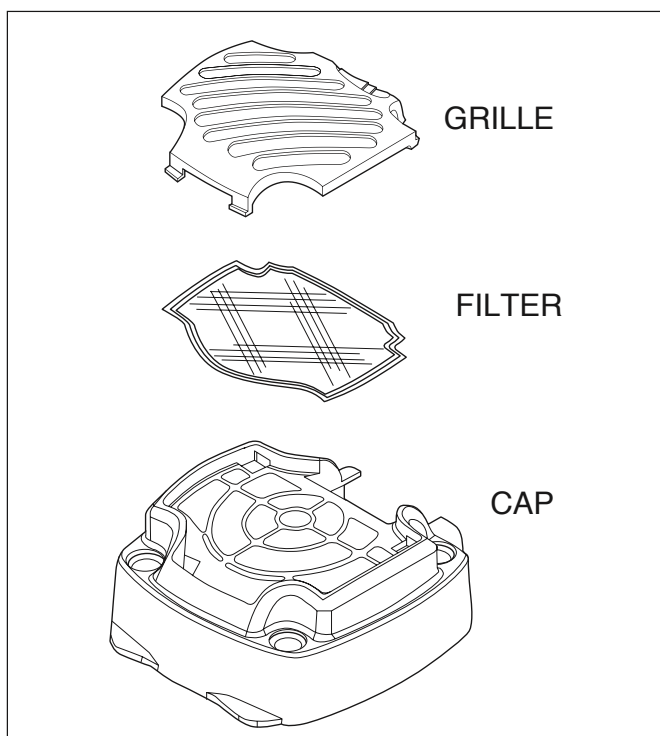
1. Remove the battery.
2. Pull the latch, releasing front guide. Pivot front guide forward.
3. Clear jam, and push driver blade back up to its normal position.
4. Close front guide and latch it. Check that work contacting element moves freely.



Air Filter

Open the grille by pressing slightly above the adapter and pivoting the grille open. The air filter simply lifts out.

Tap the filter GENTLY to remove any dust. Check and clean the air filter every two days. Soap and water restores the filter to a "like new" condition.



End-of-Workday Routine

These simple steps are based on maintaining the safety and operational efficiency of the Cordless Finish Nailer.

Before you leave the work site:

1. Remove battery and store in tool case. Always use the Cordless Finish Nailer case for transporting and storing the tool.
2. Dispose of all empty fuel cells. Remember to dispose of these cells where they will not be crushed, punctured, burned or found by children.

When you get home:

1. Place the battery in its charger if it needs charging as indicated by the red charge light on the handle.
2. Wipe your Cordless Finish Nailer with a clean, soft cloth.
3. Remove and clean the filter every two days.
4. Check work contacting element to ensure it is operating freely.

Paslode Cordless Tool Accessories

A variety of accessories are available for the Paslode Cordless 16 Gauge Straight Finish Nailer.

No-Mar Tip -3 Pk. Part No. 219236

Battery - Part No. 404717

Tool Cleaner - Part No. 219348

9/64" Hex Key - Part No. 900736

Clear Safety Glasses - Part No. 401382

Bumper Removal Tool - Part No. 900760

Paslode Cordless Lubricating Oil - Part No. 401482

Battery Charger Kit - Part No. 900200

Automotive Adapter - Part No. 900507

Paslode Cordless Finish Nailer Carrying Case - Part No. 900751

High Altitude Valve Kit - Part No. 219247

(For fuel cells at altitudes from 4,000 to 9,000 feet)

Contact your Paslode® representative for additional information.

Tools

A 9/64" Hex Wrench (Part No. 900736) is provided with each Cordless 16 Gauge Straight Finish Nailer .

Troubleshooting

Preparing Tool for Operation - Battery/Charger Problems

SYMPTOM	POSSIBLE PROBLEMS	SERVICE
Battery does not appear to accept charge when battery is plugged into the charger.	Inoperative indicator lights on charger, or defective charger.	Try battery in tool after a full charge cycle. If tools indicator light is red, charger not working properly. Replace charger, or monitor charging time to ensure battery has adequate time for recharging. It is normal for battery to feel warm after properly charging.
	Battery damaged or cycle life exhausted.	Replace battery.
Charger gets hot, makes excessively loud noise, or smokes during charging cycle. Charger cord or wall plug gets hot.	Damaged charger.	Discontinue use immediately and unplug from power source. Replace charger and tag or dispose of charger to prevent accidental re-use or connection to power source.

Normal Stage of Operation

SYMPTOM	POSSIBLE PROBLEMS	SERVICE
Fan does not run - tool indicator light is blinking red or solid red.	Battery is not charged.	Charge battery.
	Battery terminals are oily, dirty, or corroded.	Clean battery terminals with soft cloth.
Fan does not run, or runs slower than normal - tool indicator light is solid red.	Battery is discharged.	Charge battery.
Work-contacting element does not depress fully - tool does not operate.	Work-contacting element is bent, or build-up of debris in track restricts operation.	Remove and inspect lower probe. Clean the track. Repair or replace lower probe as required.
	Lockout feature is engaged.	Add strip of nails.
Tool will not cycle - fan runs, indicator light is solid green.	Fuel Cell empty.	Replace fuel cell.
	Spark wire out of spark plug.	Remove cap and check spark lead, insert in spark plug and replace cover.
	Spark plug is dirty.	Clean tool cylinder head.
	No spark is generated.	Return tool to authorized Paslode® dealer for service.

Normal Stage of Operation

SYMPTOM	POSSIBLE PROBLEMS	SERVICE
Tool operates properly, but fasteners do not drive fully.	Work-contacting element requires adjustment.	Adjust work contacting element.
	Fuel cell is low.	Check fuel cell and replace as required.
	There may be loss of seal in combustion chamber.	Press work contacting element against workpiece for one minute. Pull trigger. If fastener does not drive, there is a leak that requires service.
Tool operates properly, but fasteners are sometimes over-driven, and sometimes under-driven.	Work-contacting element is not adjusted properly for the type of material being fastened.	Adjust work-contacting element. Readjust as required when material density or thickness of material being fastened changes.
Tool operates, but no fastener is driven.	Wrong fasteners being used.	Use only fasteners meeting Paslode® specifications. Check Fasteners and Applications section for fastener types and sizes recommended for use in Cordless tool.
	Follower not properly engaged behind fastener strip.	Position follower behind fastener strip and engage strip.
	Jammed fastener.	Clear jam.
Tool operates erratically or appears to be losing power - tool indicator light is green.	Fuel cell is low.	Check fuel cell.
	Spark plug wire is loose.	Check spark plug wire.
	Air filter is dirty, causing tool to overheat.	Remove air filter and clean. Use soap and water to remove stubborn debris.
	Tool is dirty.	Clean tool.
Tool operated and drove fasteners, but driver blade did not return to up position.	Built-up dirt and debris on driver blade or in nose bore.	Clean driver blade and nose bore with degreaser cleaner.
	Tool is dirty.	Clean tool.
Combustion chamber does not drop after tool cycles.	Work-contacting element is bent, or is dirty.	Clean track or replace work-contacting element.

If tool will not operate after following the above service directions, return the tool to an authorized Paslode.® representative for service.

For the nearest Paslode® representative call 1-800-682-3428.

For factory direct service call 1-800-447-3830.

For Technical support call 1-800-222-6990 or visit our web site at www.paslode.com.

To purchase parts, visit our website at www.itwconstructionparts.com

