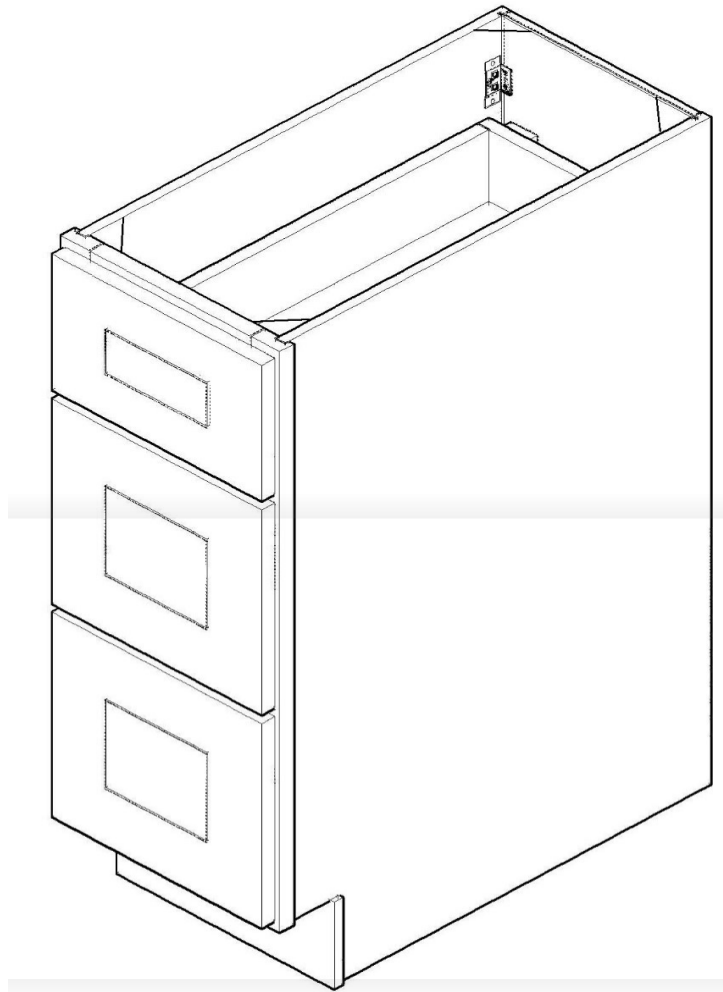


ASSEMBLY INSTRUCTIONS

Three Drawer Base Cabinet

562033, 562041, 562058, 561449, 561456, 561464



ASSEMBLY INSTRUCTIONS

DHI Corp. • 5205 W. Donges Bay Rd. • Mequon, WI 53092 • 800.558.8700

Unpacking Precautions

If using a sharp object to unpack the cabinet components and the packing materials, be careful to avoid scratching or damaging the cabinet components. The various packing materials may be used to protect the cabinet components during assembly. During the unpacking process, place the various components away from and to the side of the work area so that they will not be inadvertently knocked over or otherwise damaged.

Base Cabinet Model Variations

These assembly instructions include all the steps required to assemble a Base Cabinet with a Shelf and Drawers. However, they can also be used to assemble a Sink-type Base Cabinet with a Shelf (skip the steps covering assembly of the drawers and installation of the rails and rail holders). The illustrations included in these assembly instructions are based on the Base Cabinet with a Shelf and Drawers.

Required Tools

Phillips Screwdriver
Rubber Mallet
Wood Glue



Hardware Considerations/Screw Size Clarification

(I) Small 1/2"

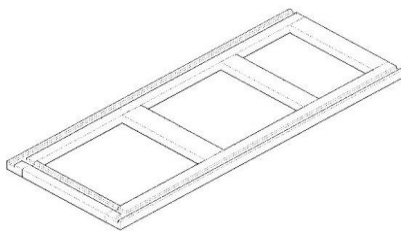
(J) Medium 7/8"

(K) Large 1 1/8"



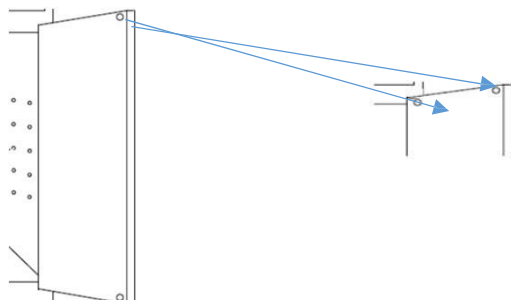
Step 1

Lay the face frame with doors(A) on a soft surface, doors facing down.



Step 2

Attached rubber bumpers to both the top and bottom of each drawer where they make contact with the face frame to prevent damage and reduce noise.

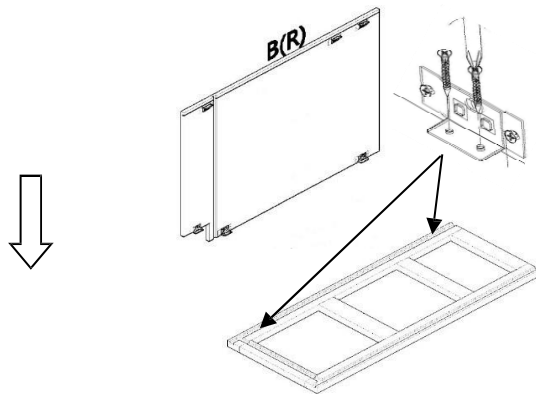


Step 3

Using the wood glue, squeeze a small bead of glue in all grooves before assembling the cabinet sides, bottom, top and back panels. Be careful not to use too much glue, this could cause excess glue to squeeze out and onto the panels, if this should happen, be sure to remove quickly.

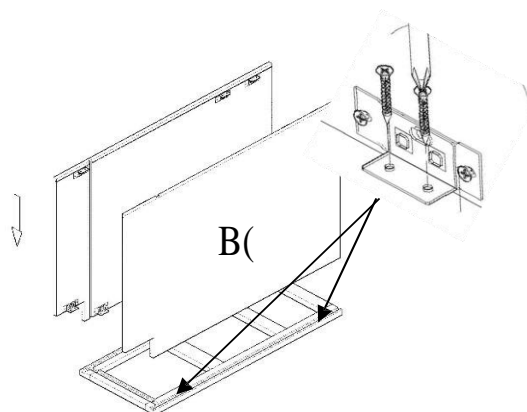
Step 4

Slide the Right side panel (R) into the Right groove of the face frame, and mount the male clip to the face frame with the screwdriver. Each male clip will need 2 small screws (1).



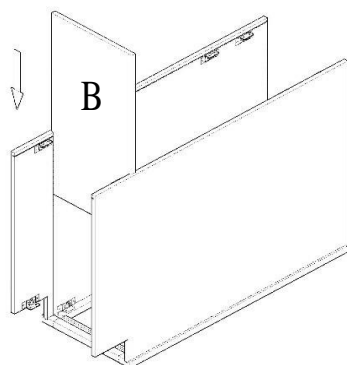
Step 5

Slide the Left side panel (L) into the Left groove of the face frame, and mount the male clip to the face frame with a screwdriver. Each male clip will need 2 small screws (1).



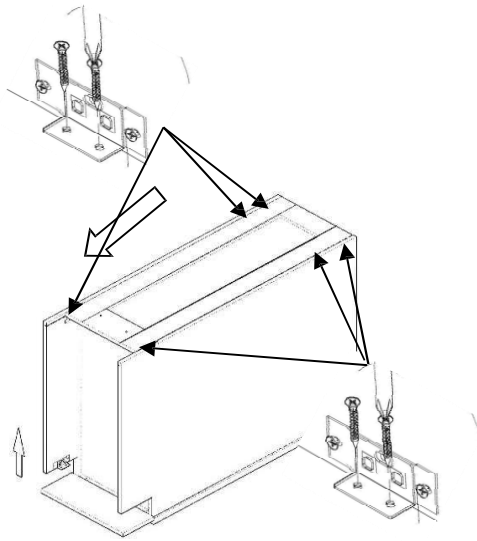
Step 6

Slide the bottom panel(B) into the grooves of the right and left side panels, and then into the groove in the frame below until it is fully seated.



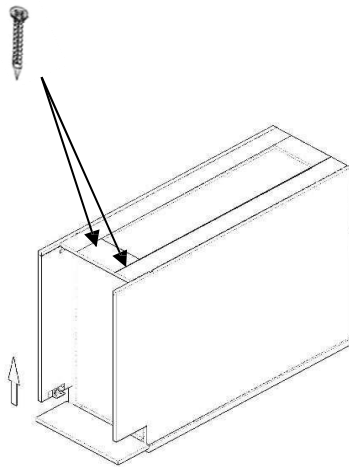
Step 7

Slide the Back panel into the grooves in the side panels and attach the male clips to the back panel. There're three clips on the left side and three clips on the right side. Each male clip will need 2 small screws(I).



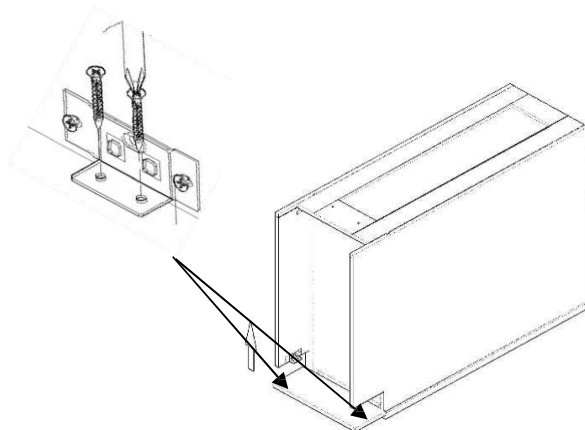
Step 8

Use the long screws(K), and the pre-drilled holes , to attach the back panel to the edges of the bottom panel.



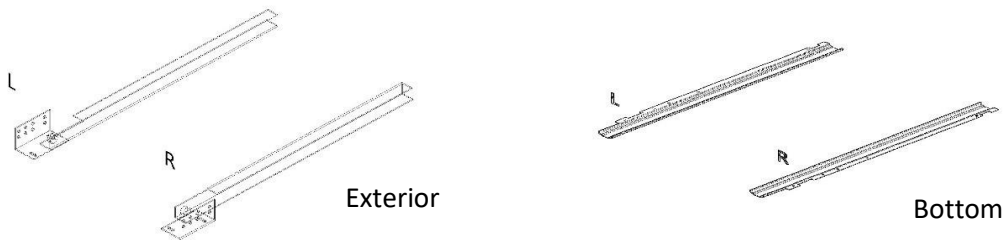
Step 9

Secure the toe kick to the bottom of the cabinet (using two small screws(I) in each of the two clips).



Step 10

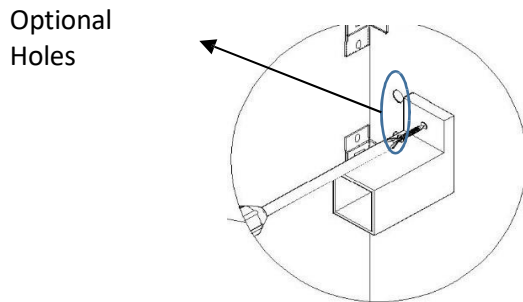
Remove the drawer glides from the carton, and separate them into sets: exterior and bottom parts.



Step 11

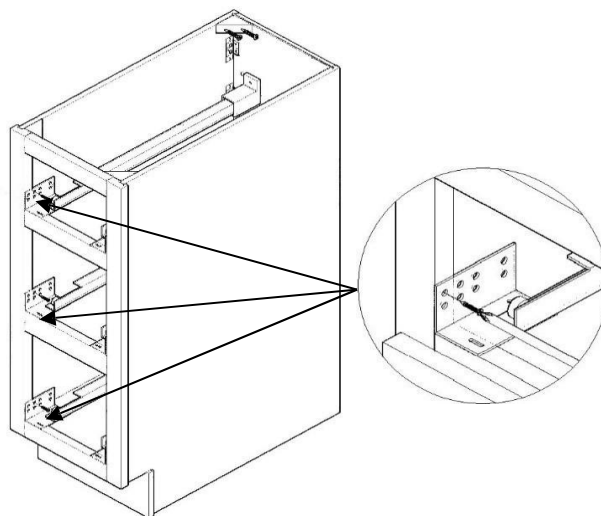
Using one small screw attach the glide brackets to the interior back panel using the pre-drilled holes.

Optional Holes: Exterior two sets are optional for soft-closing drawer glide



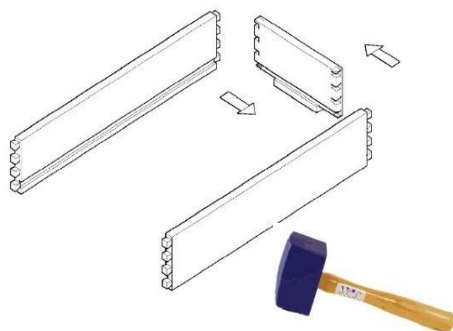
Step 12

Using one small flat head screws to attach both left and right exterior drawer glides to the interior edge of the face frame left & right for each drawer.



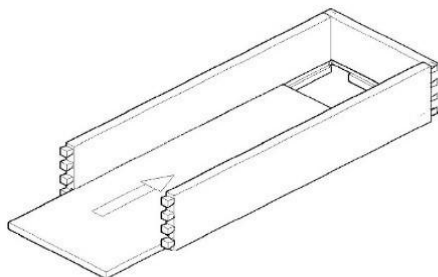
Step 13

Align the dovetails of one of the side drawer panels with the teeth on the back drawer panel and gently seat the side drawer panel into the back drawer panel. This can be done by gently tapping the side with a rubber mallet.



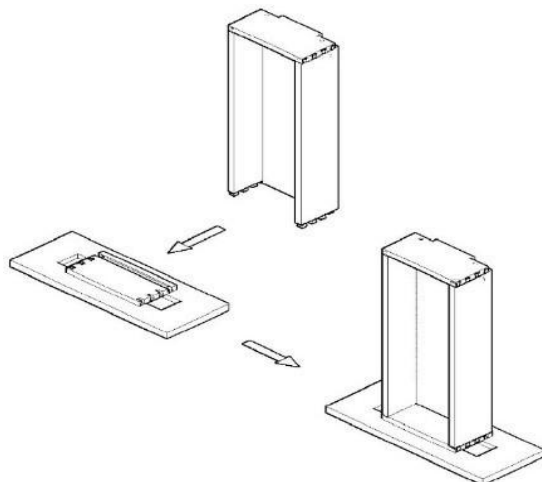
Step 14

Slide the drawer bottom into the grooves in the sides and back drawer panel until it is fully seated.



Step 15

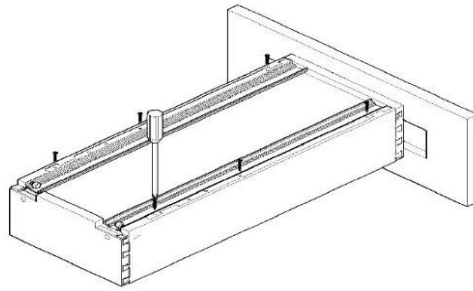
Attach the drawer fronts to the drawer box by aligning the dovetails of drawer panels with the teeth on the front drawer panel and gently seat as above.



Step 16

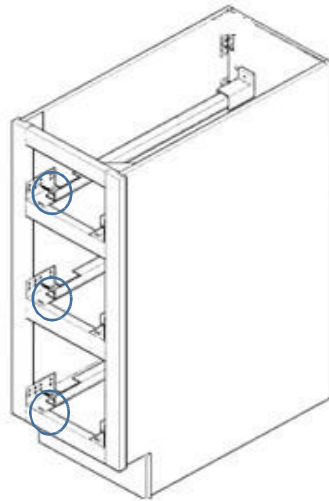
Attached the bottom drawer glides using the flat head small screws(I) three on each side.

Turn over the drawer



Step 17

Install the drawers into the cabinet by aligning the bottom glides with the exterior glides in the cabinet.



Step 18

Use two medium size screws(J) to attach 4 wooden triangle blocks in all four corners of the top of the cabinet.

