

## TABLE OF CONTENTS

<b>ITEM</b>	<b>PAGE #</b>
SPECIFICATIONS.....	3
SAFETY INFORMATION.....	3
INSTALLATION .....	4
OPERATION INSTRUCTIONS.....	5
CIRCUIT DIAGRAM .....	5
MAINTENANCE .....	6
REPLACEMENT PARTS.....	6
TROUBLESHOOTING .....	7

## SPECIFICATIONS

	<b>EG4800DGP</b>
<b>Voltage</b>	240 V
<b>Frequency</b>	60 Hz
<b>Output Power (Watts)</b>	4800 W
<b>Electric Current (A)</b>	20 A
<b>Dimensions</b>	270 mm x 245 mm x 325 mm
<b>Net Weight</b>	16.5 LBS / 7.48 KGS

## SAFETY INFORMATION

### **GENERAL SAFETY INFORMATION**

Prior to operating heater, make sure the electrical outlet is of the configuration and capacity appropriate for the heater. See outlet configuration on front page of manual. This heater is for use on 240 volts. The cord has a plug as shown in Figure 1. No adapter is available for this blade configuration, and none should be used. The type outlet is a 240 volt grounding outlet. When properly installed, it provides a ground connection through the cord to the heater to protect the operator from electric shock.

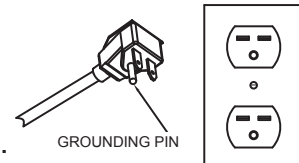


Figure 1

### ⚠ **WARNING** ⚠

BE CAREFUL NOT TO DIRECT THE HEATER TOWARD DRAPERIES, FURNITURE, OR OTHER OBJECTS THAT COULD BE DAMAGED BY HEAT. DO NOT PLACE THE HEATER WHERE A SMALL CHILD MAY FALL OVER THE HEATER. DO NOT PLACE THE HEATER WHERE THE POWER CORD MAY BE WALKED ON, TRIPPED OVER OR OTHERWISE SUBJECTED TO HARD USAGE.

## INSTALLATION

### FLOOR APPLICATION

The heater may be used on an unfinished floor. Place the heater on floor or other flat surface and insert plug into the proper wall outlet.

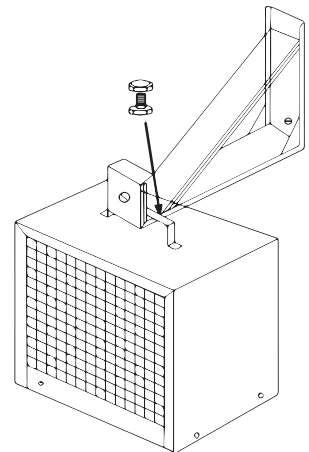
⚠ **WARNING:** Do not place or use the heater on carpeting.

### WALL OR CEILING MOUNTING

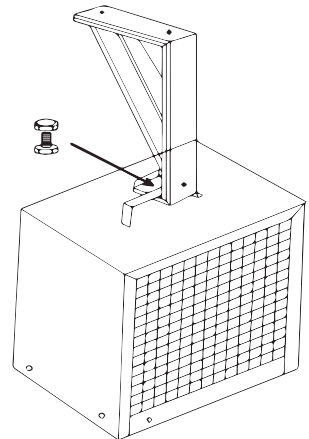
The EG4800DGP garage heater include a wall / ceiling mounting bracket. The bracket should be mounted to a structure that is capable of supporting the combined weight of the heater and the bracket. Ideally, the bracket should be secured to a wall stud, roof truss, or onto a solid block wall using the proper mounting hardware. The heater should be mounted as close to the power supply as possible to avoid the use of an extension cord. Mount with bottom of heater at least 2.4m / 8ft. above floor or grade when mounting to a wall or ceiling.

1. Drill two holes in a wall/ceiling, the distance of the holes should match the bracket.
2. Screw two M10\*30 screws (not included) to wall/ceiling, make sure the bracket is secured.
3. Hang the heater as shown below, secure the heater to the bracket by inserting a bolt through a washer (included) into the pre-drilled holes.
4. Secure the bolt with a lock washer and nut (included). Tighten with a wrench.

⚠ **WARNING:** To reduce the risk of fire, do not store or use gasoline or other flammable vapours and liquids in the vicinity of the heater.



**WALL MOUNT**



**CEILING MOUNT**

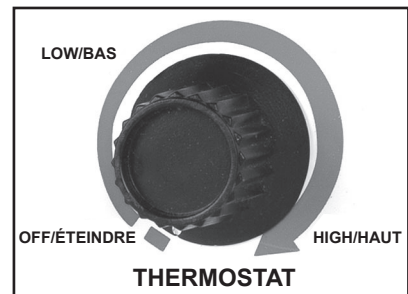
## OPERATING INSTRUCTIONS

**⚠ WARNING:** The heater must be properly installed before use.

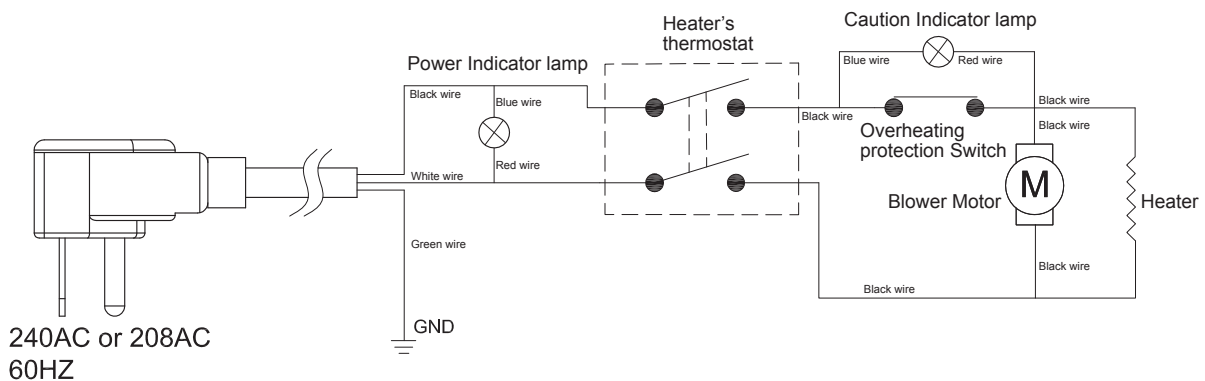
Set thermostat to its full counterclockwise position. Plug the unit into a properly grounded 240V outlet. Set the thermostat to the farthest clockwise position. The fan should come on and the unit will start heating the room. When the room reaches comfort level, turn the thermostat counterclockwise until the heater turns off. The heater will cycle automatically around this preset temperature. To increase temperature, turn the thermostat knob clockwise. To lower temperature, turn the thermostat counterclockwise.

**⚠ WARNING:** Do not tamper with the thermostat or high limit.

**NOTE:** Unplug the unit when not in use.



## CIRCUIT DIAGRAM



**WARNING: DISCONNECT POWER BEFORE SERVICING.**

## MAINTENANCE

### CLEANING AND STORAGE

The heater should be properly cleaned twice a year. Turn thermostat off and remove plug from electrical outlet and make sure that the heating element of the heater is cool before cleaning heater. Use a soft cloth for dusting. For cleaning, use only a damp rag and non-abrasive dish detergent. Do not use abrasive chemical cleaners as these may harm the finish. If heater is used in very dusty location, use a vacuum cleaner dust brush to remove dust and other foreign material from the grilles. Always unplug cord and wrap around heater handle when not in use. Move heater to a safe location for storage.

### SERVICE

This heater does not require any routine maintenance other than occasional cleaning to prevent clogging of intake grille opening. To clean air intake grille, use vacuum with brush attachment or high pressure air. The motor is permanently lubricated. Do not operate the heater with a damaged cord or plug. Do not operate any heater after the heater malfunctions, has been dropped or damaged in any manner. Any other servicing should be performed by qualified service personnel. Return heater to authorized service facility for examination, electrical, or mechanical adjustment, or repair.



## WARNING

OPERATION OF THE SAFETY THERMAL LIMIT CONTROL INDICATES THE HEATER HAS BEEN SUBJECTED TO SOME ABNORMAL CONDITIONS. IT IS RECOMMENDED THAT THE HEATER BE CHECKED BY A REPUTABLE ELECTRICIAN OR REPAIR SERVICE TO ENSURE THE HEATER HAS NOT BEEN DAMAGED.

## REPLACEMENT PARTS

Part	Description	EG4800DGP
1	Main support	EH4800DG001
2	Main support plate	EH4800DG002
3	Wall mount panel	EH4800DG003
4	Heater	EH4800DG004
5	Air panel assy	EH4800DG005
6	Heater clasp panel	EH4800DG006
7	Front mesh	EH4800DG007
8	Shell	EH4800DG008
9	Front mesh support	EH4800DG009
10	Thermostat	EH4800DG010
11	Leg	EH4800DG011
12	Bottom panel	EH4800DG012
13	Supply cord	EH4800DG013
14	Knob	EH4800DG014
15	Temperature Switches	EH4800DG015
16	Back mesh support	EH4800DG016
17	Back mesh	EH4800DG017
18	Motor	EH4800DG018
19	Motor support	EH4800DG019
20	Wind leaves	EH4800DG020

