

Technical Handbook

Building and Waterproofing
Custom Tiled Showers
August 2020 Catalog

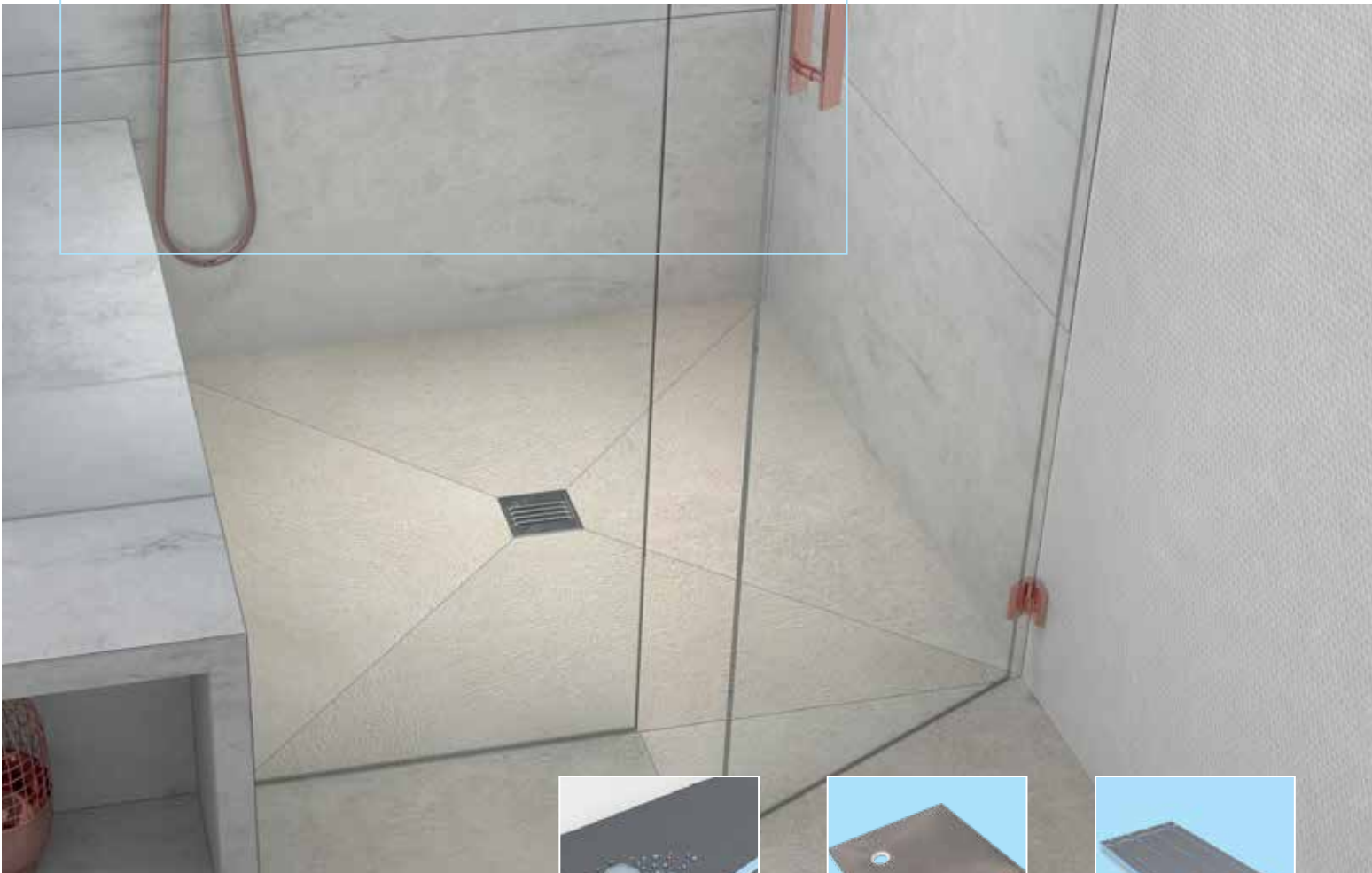


Table of Contents



01 What is wedi?

wedi System Composition.....6

02 Selecting the right products for your wedi shower

wedi 4-Step Process 10

Step 1: Choose a shower base 12

wedi Fundo Ligno (curbless access), Primo (offset and center location point drain) and Riolito (linear drain)

Step 2: Choose building panels 13

wedi Building Panels and Vapor 85

Step 3: Choose prefabricated

modules..... 14

wedi Shower Seats and Benches, Shower Niches and curbs and ramps

Step 4: Choose installation

accessories..... 15

Drain covers, wedi Joint Sealant and Sealant 620, wedi Subliner Dry and Fastener Systems

wedi Shower Kits 16

wedi Fundo Ligno (curbless access), Primo (offset and center location point drain) and Riolito (linear drain)

03 Point drain shower systems

wedi Fundo Primo.....20

Product information and installation instructions

wedi Fundo Ligno26

Product information and installation instructions

wedi Fundo Ligno Recess Kit.....33

Product information and installation instructions

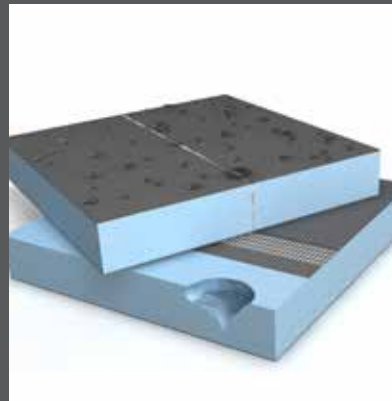
wedi OneStep36

Installation instructions



To make things easier:

The wedi range has been rearranged and is now divided into 9 sections. Technical, Pricing and Warranty information can now be found at the back of the book starting at page 108.



04 Linear shower systems

wedi Fundo Riolito neo42
Product information and installation instructions

wedi Fundo Riolito neo Modular46
Product information and installation instructions

Channel Covers49
Installation instructions

wedi Fundo Discreto54
Product information and installation instructions

07 Installation Accessories

wedi Subliner Dry.....104
Product information and installation instructions

wedi Joint Sealant/Sealant 620.....107

05 Building Panel Systems

wedi Building Panels58

wedi Vapor 8580
Product information and installation instructions
Introduction to Steam Rooms & Steam Showers

08 Technical Data

Technical Properties.....110
ICC-PMG 1189 Report.....111
Primo Technical Drawings.....112
Ligno Technical Drawings120
Riolito neo Tech Drawings123
OneStep Tech Drawings127
Shower Niche Tech Drawings129

06 Prefabricated modules

Sanoasa Benches 1-490
Installation instructions

wedi Prefabricated Shower Seats
and Benches92
Installation instructions

Curbs and Ramps.....94
Product information

Prefabricated Shower Niches.....95
Product information and installation instructions

wedi Sanoasa wellness benches and
Shower Loungers.....97

wedi Sanbath Wash Basin100

09 Pricing

Value added support.....134
wedi Warranty136
wedi Product Order Information
and Pricing.....140

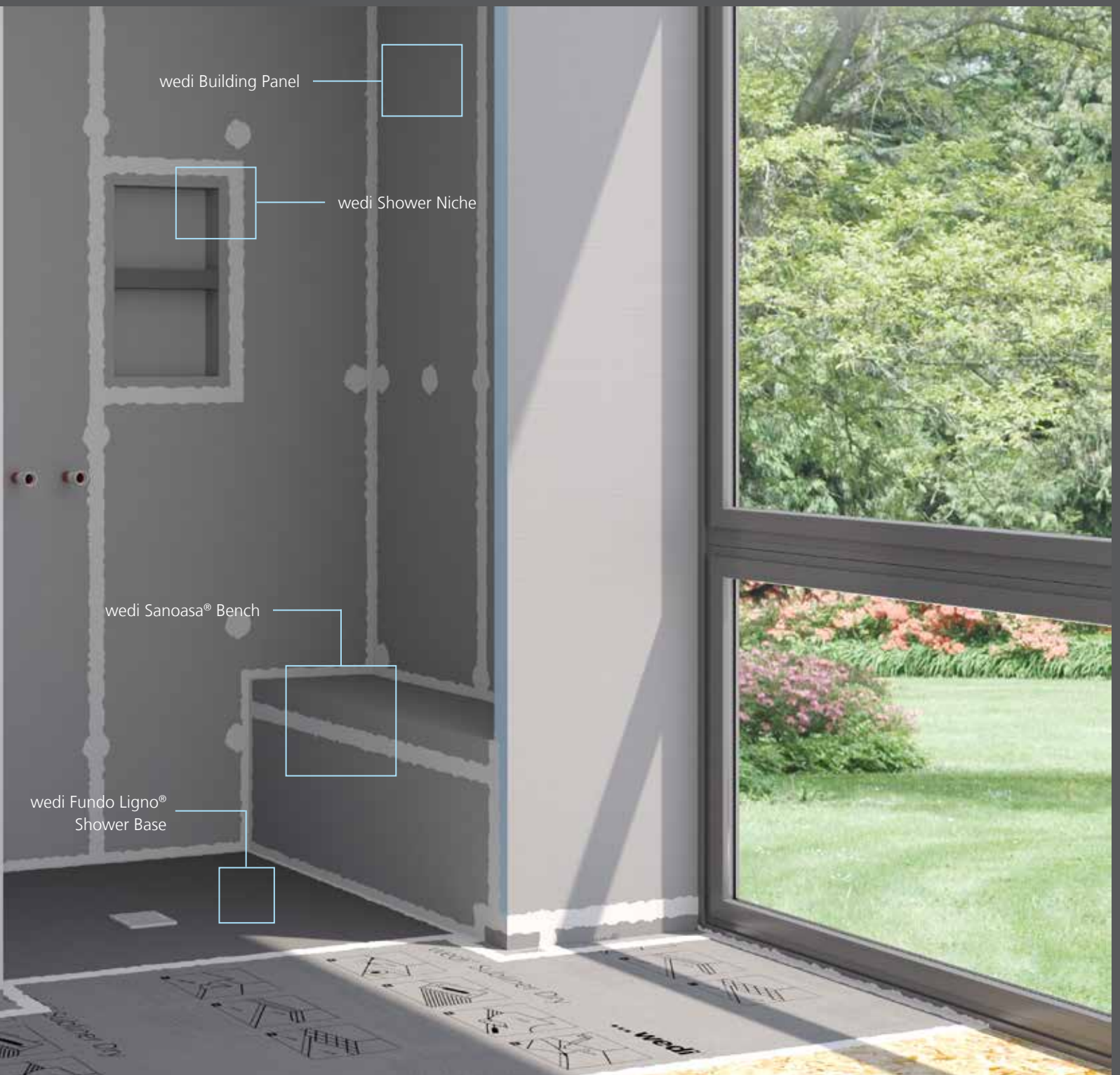


wedi systems create the structure and substrate for tiled showers and bathrooms

wedi offers a product system consisting of shower floor elements with integrated drainage, tile backer/wall panels, curb and seat structures, wall niches, sealants and many more accessories. The products can be combined to complete installation kits, and they are installed over framed and solid substructures. The product systems combine all you need in a wet room floor and wall before tiling: solid backing, safe waterproofing, a great surface to tile over. While the products work as a complete modular system, they are highly customizable, clean and fast to install.

wedi Corporate Office

Phone 847-357-9815 1160 Pierson Drive
E-Mail info@wedcorp.com Batavia, IL 60510



Initial situation



During renovation



Complete solution with wedi

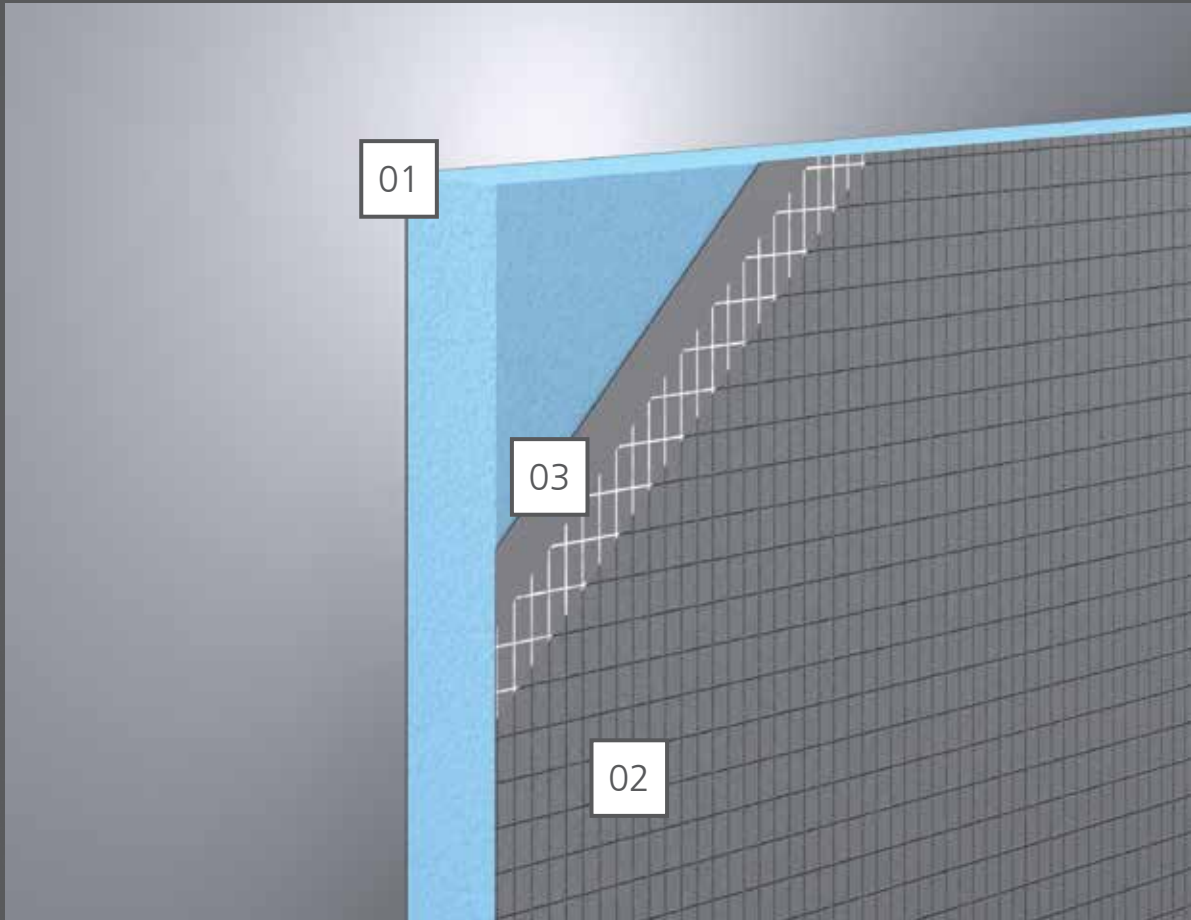
01

What is wedi?

wedi shower floors and wall building panels as well as most of wedi's foam core based product systems are comprised of 3 main components: the XPS waterproof foam core, cement resin coating and fiberglass mesh reinforcement. All are important pieces that provide strength and rigidity to wedi products.

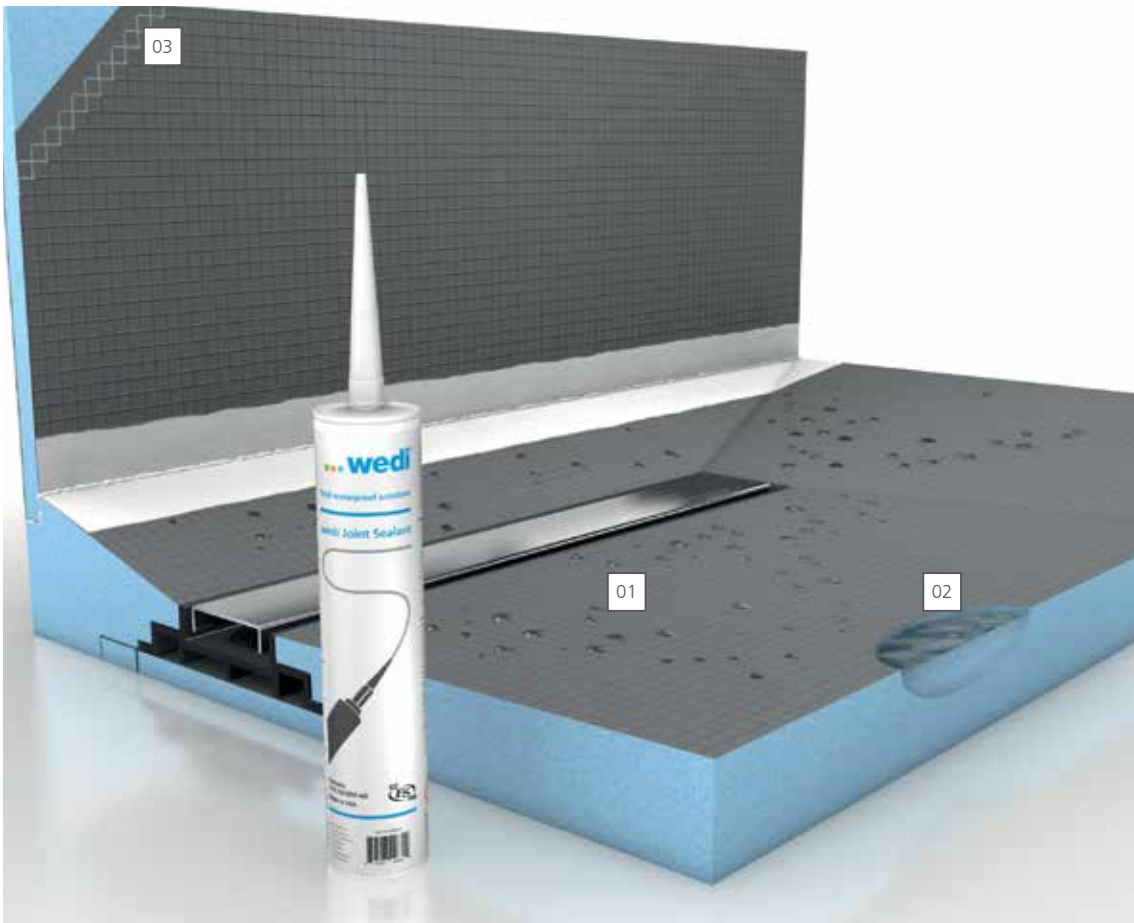
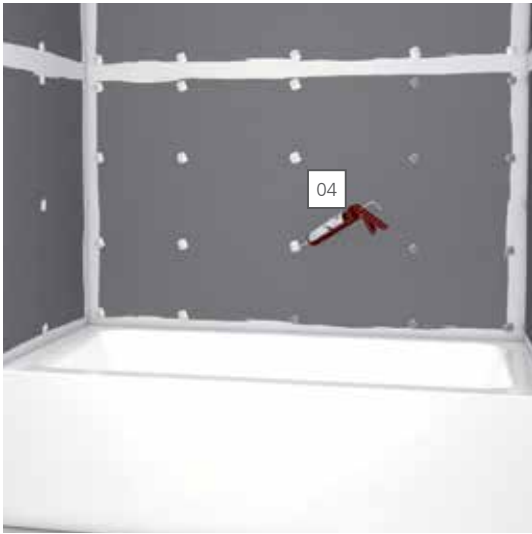


wedi Product Composition



- 01 XPS waterproof foam core
- 02 Cement resin coating
- 03 Fiberglass mesh reinforcement





wedi Building Panels and Shower Bases, whether you use them as a system or individually, are installed directly to framing or solid sub-floors or structures and provide you with a directly tilable surface.

wedi – What’s underneath your tile matters

01 wedi Building Panels and Shower Systems reinforced cement resin surface offers a superior bond surface to virtually any tile and stone or tile adhesive. No delamination, no surprises.

02 The blue XPS core is 100% waterproof and remains fully functional even after possible partial damage. Our XPS brand foam is specially engineered for 100 % consistency of it’s closed cell structure.

03 wedi product surfaces include specially designed and manufactured fiberglass mesh, fully embedded in the coating. It won’t break and it offers the wedi typical gritty structure for perfect tile adhesion. The strong backing properties of the panels originate with the surface coating including the mesh.

04 wedi Shower System components can be safely adhered and sealed in assemblies using wedi Joint Sealant’s: strong reinforcement and internal strength, high adhesion and waterproofing qualities with virtually no build-up as with conventional taping. As no other seal is necessary, craftsmen benefit from increased protection accompanied by a shorter surface preparation time before tiling starts.

05 wedi’s foam based products are made with extrusion agents in compliance with the Montreal Protocol, helping to reduce Global Warming Potential (GWP). The foam based products are made from 25% recycled content. A crucial benefit of wedi’s brand foam is safe and consistent fire behavior, entirely without the use bio-accumulative unbonded flame retardants such as HBCD, which is widely used in products especially those made in China. In fact, many product imitations made in China may not contain any flame retardant or varying content and substances, which van makes these products a hazard to life safety. Most product manufacturing in China is inconsistent, and certifications and testing that originates in China are often not legit, which makes it important to use trusted building and raw material wedi provides safe fire behavior and protection, using consistent levels of fully polymeric bonded flame retardant (PFR) that does not release over time. wedi product meets international standards such as REACH and the UN’s Stockholm Convention Protocols. wedi Joint Sealant is Polyisocyanates and PVC free, and is a zero VOC sealant.

02

Selecting the right products for your wedi shower

While many of the wedi shower systems are marketed as complete Kits in one box, you can also select from a wide range of a la carte product to assemble a complete custom shower design. Here, we'll show you which products you will need to choose to create a shower floor, a shower wall, equip the shower with niches or benches, and which installation accessories are needed for the assembly.

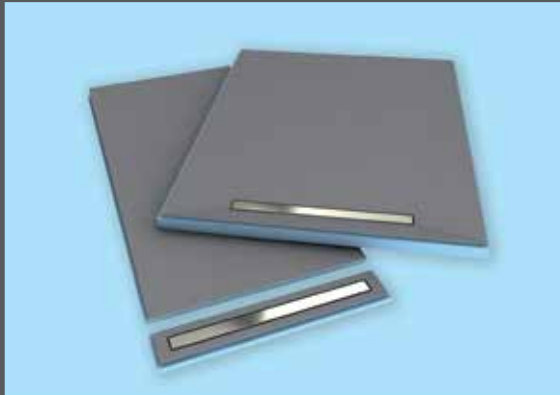


wedi System in 4-Steps

Part 1: Shower Bases

wedi Waterproof Shower Systems offer reliable, cost-efficient solutions for constructing 100% waterproof and mold proof showers and are easy to install.

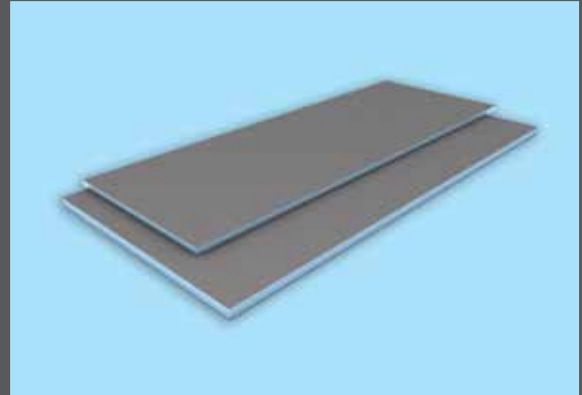
- Fundo Primo Offset and Center Drain, Shower Base and Accessories
- Fundo Ligno, Curbless Shower Base
- Fundo Riolito neo, Linear Shower Base with linear drain
- Shower Base Extensions
- Fundo Riolito Discreto, Tileable vertical drain cover system
- Fundo Primo/Fundo Riolito neo/Ligno Shower Kits



Part 2: Building Panels

wedi Building Panels are the ultimate and complete wet room tile backer board and often used within the range of wedi shower systems as well as on walls, floors, countertops and many more applications.

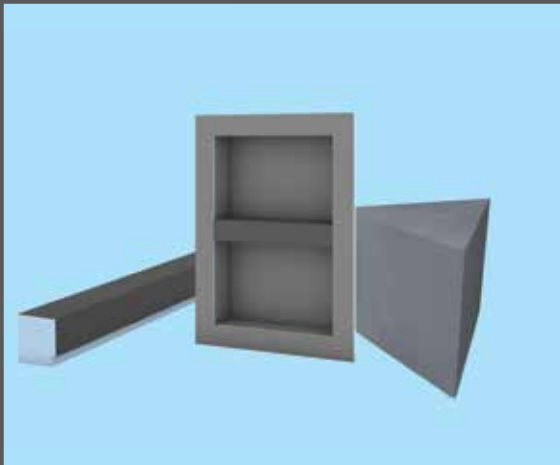
- For Shower, Tub & Steam Room Walls and Ceilings, Separate Steam Rooms & Showers (Building Panel Vapor 85)
- Over Wood and Concrete Subfloors – For use as a flooring underlayment with insulation value
- For use in countertop and kitchen backsplash installations
- For use when constructing bathroom seats and benches



Part 3: Prefabricated Modules

wedi Prefabricated Modules open up a whole new world of design possibilities for showers, wet areas and baths.

- Curbs
- Recessed Niches
- Benches and Seats
- Sloped Shower Ramps



Part 4: Installation Accessories

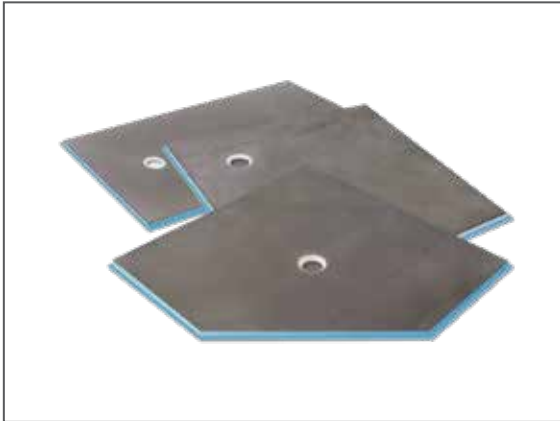
wedi Installation Accessories & Tools offer additional products you need for the installation and guarantee maximum safety and easy handling.

- Joint Sealant
- wedi waterproofing sheet membranes and tapes
- Fastener Systems (washer and screws)



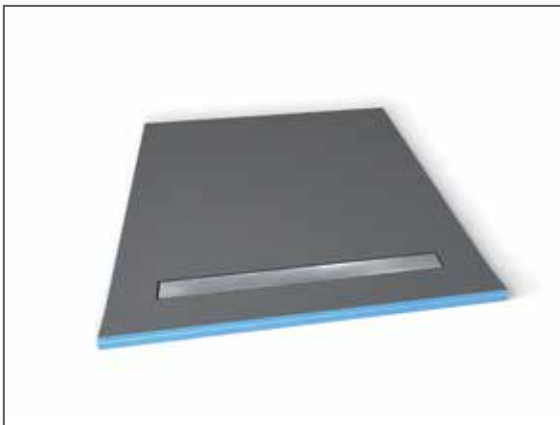
wedi Systems Assembly – Step 1

Choose your shower base



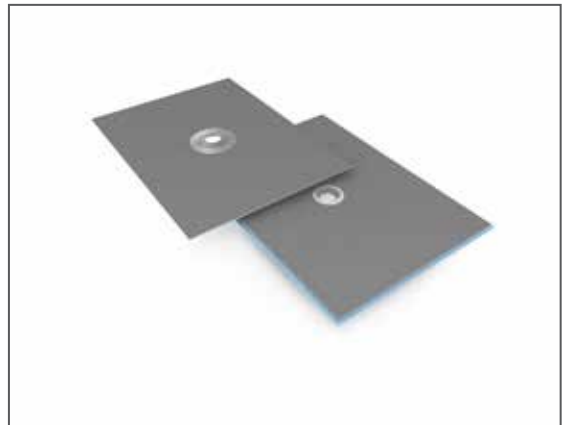
wedi Fundo Primo® Shower Base
(Offset or Center Location Point Drain)

The original wedi Fundo: Robust, pre-sloped, waterproof, shower floor bases with 4 in. x 4 in. drain cover. Customizable on-site. Often installed over various types of subfloors and often used with curbs. For product options and pricing, visit page 140.



wedi Fundo Riolito® neo/
Riolito® neo Modular
(Linear Drain)

Fully factory integrated linear drainage. Models include one-way, two-way and four-way slope designs. For product options and pricing, visit pages 141/142.

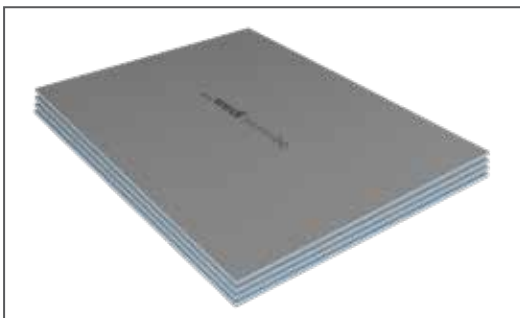


wedi Fundo Ligno®
(Curbless Access)

Our newest Fundo model: Floor level 3/4 in. profile designed especially for suspended wood subfloors. Like all wedi Shower Bases it is pre-sloped, and waterproof. Comes with 4 in.x 4 in. drain cover. Customizable on-site. For product options and pricing, visit page 141.

wedi System Assembly – Step 2

Choose your building panels



wedi Building Panels

Perfect waterproof tile backer board and substrate for practically any wall, floor, ceiling application in interior wet areas. Sizes and thicknesses can accommodate different projects and applications. For product options and pricing, visit page 152.

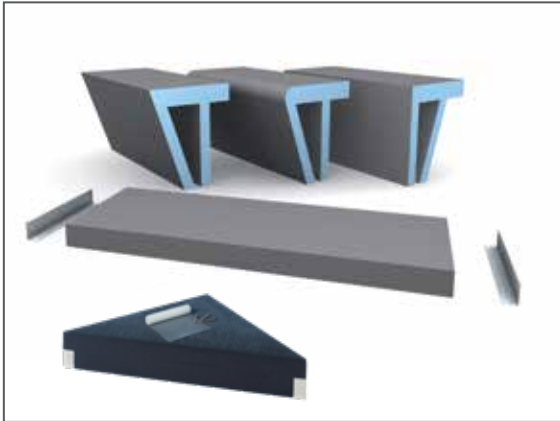


wedi Vapor 85

The wedi Vapor 85 Building Panel is used for Steam Rooms and Steam Showers. For product options and pricing, visit page 151.

wedi System Assembly – Step 3

Choose your prefabricated modules



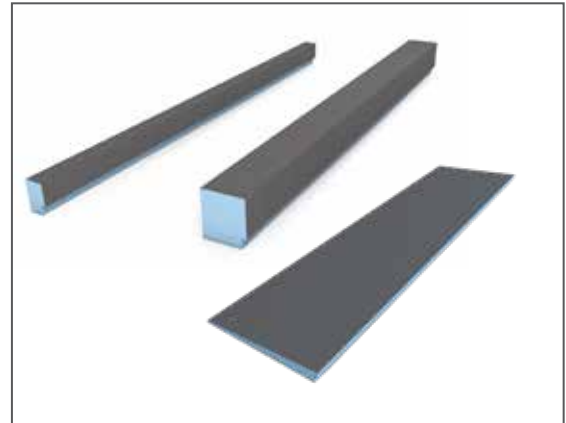
wedi Shower Seats and Benches

Prefabricated, slightly sloped bench options or simply built on site to fit using wedi 2 in. or 1 1/2 in. Building Panel. Additionally, suspended seat solutions, equipped with mounting bracket system for installation into existing framing. For product options and pricing, visit pages 148-150.



wedi Shower Niches

The perfect fit for all shower necessities. These prefabricated shower niches come in several size options. For product options and pricing, visit page 151.



wedi Curbs and Ramps

Use our wedi Curbs for shower entry design where safe and sound transitions are required and use our wedi ramp where wheelchair accessible or ADA compliant entries are required. For product options and pricing, visit pages 150-151.

wedi System Assembly – Step 4

Choose your installation accessories



wedi Premium Drain Covers for Linear and Point Drainage Systems

Each of our shower floor bases comes with a fitting drain unit. Fundo Primo, Ligno and Onestep also include a standard drain cover set. Fundo Riolito bases requires a drain cover selection. wedi offers a wide variety of specialized and Premium cover set options for all Fundo shower floor base models. For product options and pricing, visit pages 142/143 & 146/147



wedi Joint Sealant and Sealant 620

Our wedi Joint sealant is Indispensable in regular wedi shower assemblies to seal and reinforce seams and connections, as well as waterproof fastener points. Use our wedi Sealant 620 in combination with wedi Vapor 85 and wedi Subliner Dry for a full water and vapor proof shower. For product options and pricing, visit pages 153 & 155.



wedi Subliner Dry

Waterproof sheet and tape membrane system. Seals and connects with 2 in. (50.8 mm) wide membrane overlaps. In between, wedi Sealant 620 is used to water-and even vapor proof these connections or terminations. For product options and pricing, visit pages 154-155.



wedi Fastener Systems

Safe fastening systems have to be up to the task in a wedi building panel wall or floor application. For product options and pricing, visit page 153.

All you need in one box - Ligno, Primo and Riolito Kits



The total shower solution

One box, one price

- All you need to build a shower system ready for tile in one Kit box – selectively with point or linear drain
- One price for all you need for the shower structure- easily budgeted for cost and installation time
- All you need in a safe and protected box for simple and fast logistics and handling
- For a safe modular installation with option to field modify system components for custom tiled showers
- Installers and builders save time and money and are protected under wedi System warranty covering the entire shower substrate
- Available as wedi Fundo Primo Kit (point drain), NEW wedi Fundo Ligno Kit (point drain) and Fundo Riolito neo Kit (linear drain)
- Easy to install and blending the traditional values of design flexibility and robustness while offering the added benefits that come with state of the art material and manufacturing technologies
- No more pre-sloping, pan liner cracks or membrane pin holes, clogged drain weep holes and mold growth
- Reducing the traditional installation time and down times for a full shower floor preparation for tiling from 2 – 3 days to now 30 minutes
- Entire System is 100% waterproof and mold proof and is very low weight, but extremely durable
- For product options and pricing, visit pages 144/145.



wedi Shower Kit - Primo

wedi Fundo Primo offers a center or offset point drainage shower system. It comes with a Full Foam Lean Shower Curb and wedi Building panels that are the perfect tiling substructure for walls. See page 20 for more details and quantities.



wedi Shower Kit - Riolito

wedi Fundo Riolito neo linear drain system (optional cover plate available in three designs). It comes with a Full Foam Lean Shower Curb and wedi Building panels that are the perfect tiling substructure for walls. See page 42 for more details and quantities.



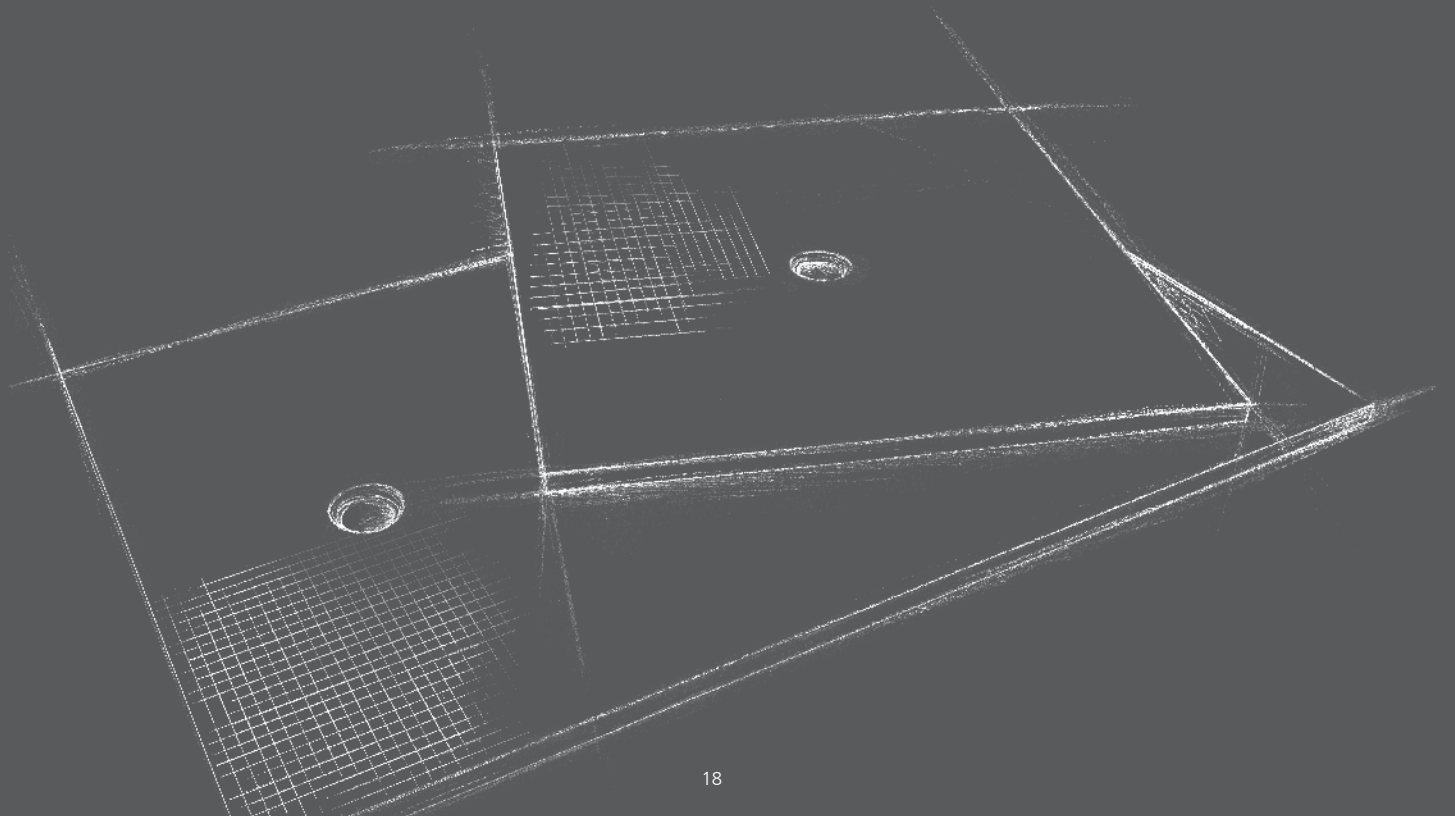
wedi Shower Kit - Ligno

wedi Fundo Ligno offers a center point drainage, curbless shower system. It comes with Subliner Dry, Sealant 620 and wedi Building panels that are the perfect tiling substructure for walls. See page 26 for more details and quantities.

03

Point drain shower systems

wedi Waterproof Shower Systems offer reliable, cost-efficient solutions for constructing 100% waterproof and mold proof showers. These systems are easy to install and open up a whole new world of design possibilities for showers, wet areas and baths. wedi Shower Systems blend the traditional values of design flexibility and robustness while offering the added benefits that come with state of the art material and manufacturing technologies. The best thing: all wedi system components can be combined with one another.





the wedi Fundo Primo®

The wedi Fundo Primo Shower System features a square drain cover point drainage solution for fast and safe renovation and new construction installations. Fundo Primo is internally waterproof due to its wedi XPS foam's closed cell structure and naturally protects against mold or mildew like every wedi XPS foam based product. It is fast and clean to cut to fit custom designs while the level of prefabrication reduces installation time significantly.



the wedi Fundo Ligno

Homeowners and builders increasingly favor shower spaces which can function without a curb or would not require any build-up over existing floor areas resulting in a step-up into the shower. One important reason for this trend is it's easier and safer access to the shower for older and/ or physically disabled persons. While this trend offers great design and business opportunities it also presents technical challenges which cannot be overcome by many conventional shower installation methods or products.



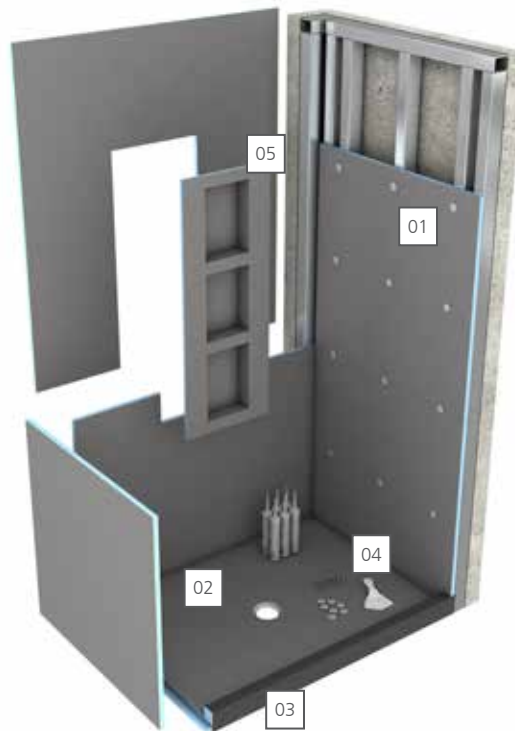
the wedi Fundo OneStep Shower System

The wedi Fundo OneStep Shower System is a simple installation solution for shower bases. Internally waterproof and pre-sloped shower floor base with factory integrated and waterproof point drain connection, as well built in pre-sloped curb and perimeter walls for fast track installations that eliminate the many different steps and products involved in traditional mortar bed or semi pre-fabricated sheet – or liquid membrane system installations.

Fundo OneStep is available in several standard sizes to fit predetermined shower stalls, featuring centered and off-centered drain location options. Fundo OneStep is available in custom sizes incl. custom drains, such as linear drains, upon request. Fundo OneStep can be directly tiled over upon installation and there is no limitation to the size of tile or type of tile and cement based tile setting materials selected. The OneStep bases can be installed in combination with wedi Building Panel or with alternative tile backer boards, such as cement boards, if these are typically waterproofed in the field.

wedi Shower Kit – Primo®

Full Shower System in a Box



All products needed to build a wedi Fundo Primo point drain shower are included and provide a single manufacturer warranty. Safe transportation in one box, easy estimating of product quantities needed. The shower floor units feature a strong and pre-sloped surface which can be tiled over immediately whether you choose mosaic size or large format tile. Pre-sloped extension panels are available so that virtually no limit exists for making any size or shape for custom shower designs happen. Naturally, Fundo Primo is insulating keeping surfaces warmer. Especially when compared to traditional mortar bed installations or other currently known methods for building showers such as those including use of sheet – or liquid waterproofing membranes used in an attempt to manage water exposure – wedi Fundo Primo’s simplicity and high performance shows. The most unique advantage, however, is the complete and natural core waterproofness of the wedi product and its completeness and range of components that will form an entire assembly system with Fundo Primo engineered to fit and last. This is a true system with full warranty coverage.

- 01 wedi Building Panel
- 02 wedi Fundo Primo Shower Base
- 03 wedi Full Foam Curb Lean
- 04 Screws, Washers and Putty Knife
- 05 wedi Niche (optional)

*Found in each kit:

- Fundo Primo Shower Base (1)
- wedi 36 in. or 48 in. x 60 in. x 1/2 in. Building Panels (4)
- wedi Full Foam Curb, Lean (1)
- wedi Fundo Kit Drain Standard (1)
- wedi Joint Sealant (7 10.5 oz. tubes)
- wedi Fastener Kit (1, screws/washers 100 ct.)
- wedi Corner Putty Knife (1)
- wedi Mixing Valve Flexi Collar (1)
- wedi Flexi Collar (1)

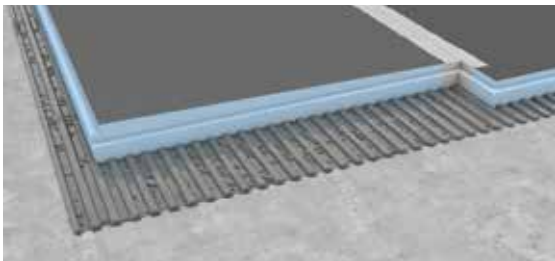
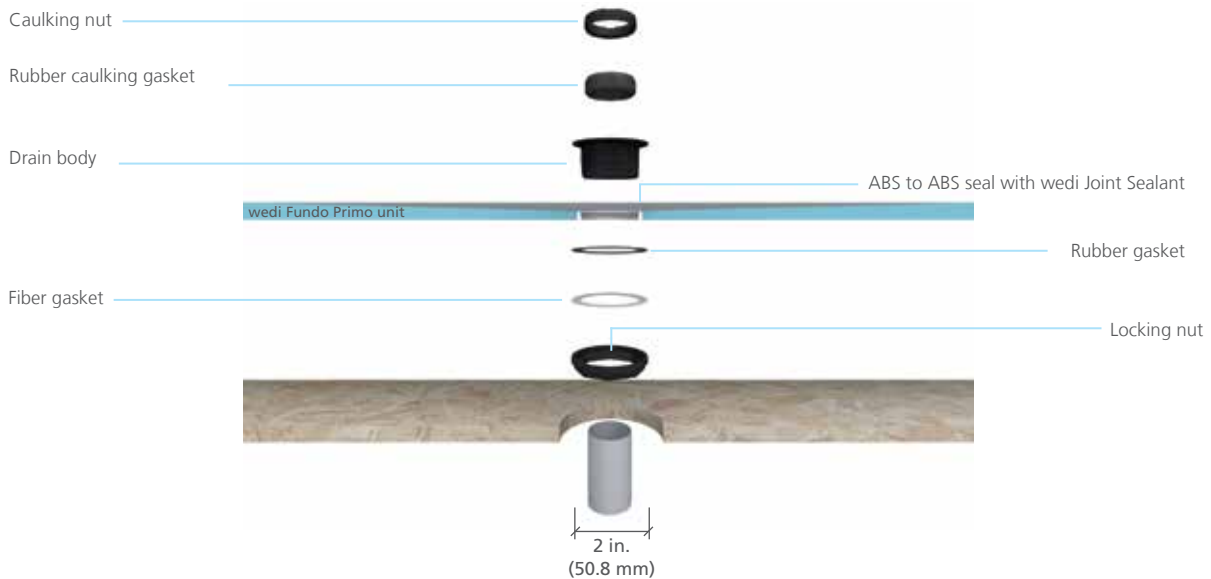
wedi Fundo Primo Product Information

These added values and its detail perfections eliminate the technical concerns in shower installations. However, this is not where wedi shower systems stop offering its added values. The wedi Fundo shower system adds to your productivity and enables you to provide real value to your customers. Our wedi Fundo Shower systems reduce the installation time for just the shower floor from a 2–3 day process (includes drying times) to only 30 minutes when compared to traditional methods built with pre slope, vinyl liner and final mortar bed. wedi helps you to turn showers into service quicker, cleaner and safer. Especially for our contractors, Fundo Primo helps to get to setting tile faster and on a much more consistent and tile friendly surface. Customers will appreciate the “no noise and no dirt/dust” installation. The wedi products do not contain harmful ingredients providing peace of mind to contractors and end users.

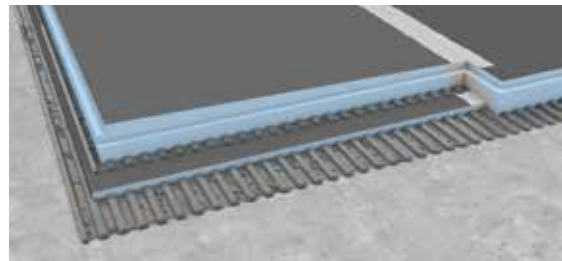
Note for Installation

Optionally a glue drain can be obtained from wedi. For a cement glue connection, the floor pipe must be cut 2 1/4” below the surface of the subfloor. Optionally a brass drain can be obtained from wedi. The installation proceeds as shown for the standard ABS drain provided with each Fundo Primo base.

Drain to Base Assembly



The shower base may be extended using a pre-sloped wedi extension panel.



wedi shower bases thicker than 1 1/2 in. where an extension is connected require a wedi building panel be placed under the extension panel to adjust for a proper connection fit.

! Note 2 in. outside diameter is nominal (2 3/8 in. for PVC/ABS schedule 40 pipe and 2 in. for cast iron/copper). Several Fundo Primo models naturally feature different perimeter height or thickness at the edge. Therefore, pre-made standard notch connections of wedi curbs must be modified in the field for a tight fit to the bases. Ramps and Extension panels can naturally not fit to all models and might be modified in the field as well.

wedi Fundo Primo® Installation

Before Installation:

- Have 2 × 4 blocking installed over bottom plate between studs along to support wedi Building Panel to shower base transition area.
- Subfloor is stable, even and load bearing, and meets deflection criteria of maximum L/360 as per IRC. Wooden or concrete structural substrates are dry and sufficiently load bearing considering live and dead load. Wood and Steel framing is sufficiently load bearing, plum and square.
- Floor drain assembly below floor is stabilized, fixed and supported in position, and will not sink under water load.
- Only wedi products (Building Panels, Curb, Joint Sealant and Fasteners) are used for wedi Fundo Shower System assembly.
- Installer has received instructions from wedi Technical Sales Staff or is informed about proper installation methods as described.
- wedi Shower Bases can be cut to size using a skilsaw. The Z notch channel must be remade and cleaned from sawdust or other possible contamination
- Follow applicable state or local plumbing codes requiring specific and dimensioned waterproofed areas for a shower system or other wet room installation. Requirements in this manual supersede local plumbing codes; they extend and are not in conflict. wedi Shower Systems or other wet room installations in which non-wedi product is also used require specific project recommendations by wedi and may reduce the extent and installation area of protection offered by wedi's warranty..
- Ensure that no fasteners are used and penetrate through any horizontal building panel or shower base surfaces in shower or immediate wet rooms. This includes tub decks, pony shower wall tops, curb tops made from building panels, seat tops. wedi panels in such areas are installed in a full surface applied thinset mortar setting bed.



- Seams in the assembly, which are not flat transitions or right angle inside corner connections, are treated with these extra steps:
 - Assembly parts are installed tight and offer a minimum of ½ in. wide continuous contact/ adhesion surface between two parts, inside which wedi joint sealant is continuously applied.
 - wedi joint sealant is applied over these seams topically, and 1 in. wide on both sides of the seam.
 - wedi mesh tape is installed over these seams and covered with joint sealant 1 in. wide on both sides of the seam.



Cut the 2" (50.8 mm) pipe flush (or max. 1/8" [3.2 mm] above) to the floor construction. Make sure that the cut out fits to the Fundo panel drain. Cut out a 5" (127 mm) diameter hole around the 2" (50.8 mm) pipe to allow for the wedi drain to be inserted into the subfloor while the cut out area must remain free of deflection. The drain and trap have to be sturdily fastened to the sub floor. Assemble the drain unit following the instruction drawing.



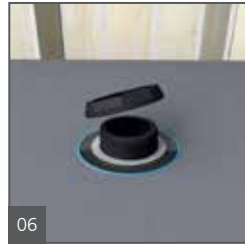
Set up a continuous 1/4" (6.4 mm) bead of wedi sealant along the top side of the wedi Fundos' valve groove profile. Optionally you can apply the bead on the underside of the main drain body's flange. This will help keeping sealant off the threads of the main drain body when it is inserted.



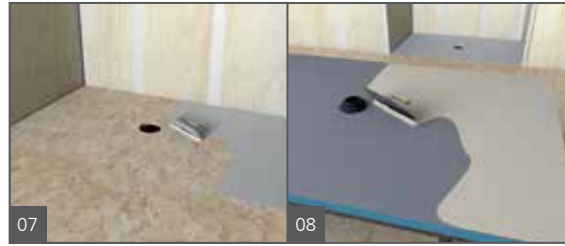
Drop the drain body firmly into the sealant.



Turn the Fundo base upside down and apply the rubber and the fiber gasket.



Tighten the gaskets firmly to the bases' steel ring using the locking nut. Make sure the drain body is still safely received in the valve-bead of sealant. Smooth out excess sealant over the drain body's flange surface.



Skim coat the thinset ANSI 118.4 and comb through with a 1/4" x 1/4" (6.4 x 6.4 mm) notched trowel. Channels pointing to the entrance. Trowel the thinset on the rear side of the Fundo again using a 1/4" x 1/4" (6.4 x 6.4 mm) notched trowel. There are different ways to ensure good bond of the wedi Base to the subfloor. Required is a setting bed thickness of min. 3/16" (4.8 mm) and max. of 5/16" (7.9 mm) (compressed). Applying thinset on both, wedi Base and subfloor, is recommended to achieve full surface coverage adhesion. Another best practice is to use fast setting mortar to achieve faster bond and adhesion.



Press the Fundo firmly into the thinset bed, ensuring that the installation is level and void free. Apply some weight equally and leave on surface and drain area to allow the thinset to initially cure without being disturbed (e.g. thinset bags).



Set up the rubber caulking gasket (with the beveled side up) around the 2" (50.8 mm) pipe in the subfloor. The rubber gasket must be flush with the upper end of the 2" (50.8 mm) ABS or PVC pipe. **Do not use any lubricants.**



Tighten (squeeze) the rubber caulking gasket firmly with the caulking nut (use a flat headed screwdriver) and finally insert the plastic frame and strainer on top (without adhesive). The frame and strainer will be held in a grout joint only once tiling commences. Do not tighten the gasket prior to 60 minutes after the threaded drain part was sealed into the shower base.



Set up a continuous 1/2" (12.7 mm) bead of wedi Joint Sealant along the pans channel on the outer perimeter and only in areas where you can immediately install a wedi Building Panel into the fresh sealant.



Push the wedi Building Panel all the way into the channel of the shower base channel and its bead of sealant. Smooth out any pushed out sealant on inside seam using a putty knife. Fasten the panels directly to the studs starting 1 ft. (304.8 mm) above the base and in corners while keeping the board pushed down into the channel, and set the fasteners at a rate of 1 fastener per 1 ft. (304.8 mm). 1 extra fastener is set into the seam to the next panel to create a flush transition. wedi requires wedi Building Panels to be installed in all areas exposed to water and in any case no lower than 6" (152.4 mm) above all water inlet fixtures.



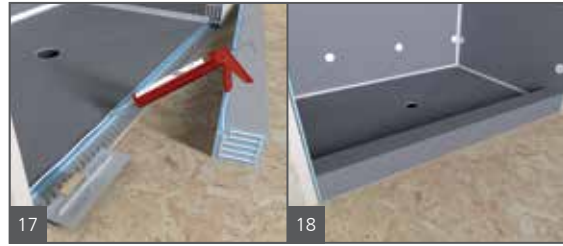
Apply continuous 1/2" (12.7 mm) beads of sealant between all connections of panels and install with tightly butted seams. Excess sealant must be spread flat with a putty knife. All seams and fastener heads in the assembly are covered with a secondary 1/2" (12.7 mm) bead of sealant and spread flat. The seams should be covered 1" (25.4 mm) on either side of seam. All fastener/washers are covered with sealant stretching 1" (25.4 mm) over the washer edges.



wedi Niches are installed in a cut out in the wedi wall and attached with it's flange right into the center of 16" (406.4 mm) o.c. studs. wedi Joint Sealant is set along the connection of wall to niche.

2 Fasteners on each side of the niche are set to create a flush transition to the wall panels. Another 1/2" (12.7 mm) bead of wedi Joint Sealant is spread over fasteners and seams.

i For the installation to properly work it is critical to waterproof all penetrations of the wedi product such as shower valves and shower heads using the appropriate sealing gaskets for the application. The wedi Mixing Valve Flexi Collar and wedi Flexi Collar (for 1/2" – 3/4" [12.7 – 19 mm] shower pipe protrusions) are used for these applications and are part of the wedi System complete warranty.



A continuous 1/2" (12.7 mm) bead of sealant is set into the channel and along the vertical curb notch part. A circle of 1/2" (12.7 mm) sealant bead is set against the wall panels (and) or the curb sides where the curb attaches. A 1/2" x 1/2" (12.7 x 12.7 mm) bed of thinset mortar is applied to the subfloor and a skim coat on the bottom surface of the curb as a best practice. The tightly fitting curb is pressed into the connection area. Weight is applied for a minimum of 30 minutes on and against the curb (from outside) and another 1/2" (12.7 mm) bead of sealant is applied over all curb seams and spread flat. The seams must be covered 1" (25.4 mm) either side of a seam.

! Curb connection notches must be cut to fit select Primo bases with perimeter thickness higher than 1 1/2" (38.1 mm). Do not place fasteners in horizontal areas or mesh treatment in angled corner seams.

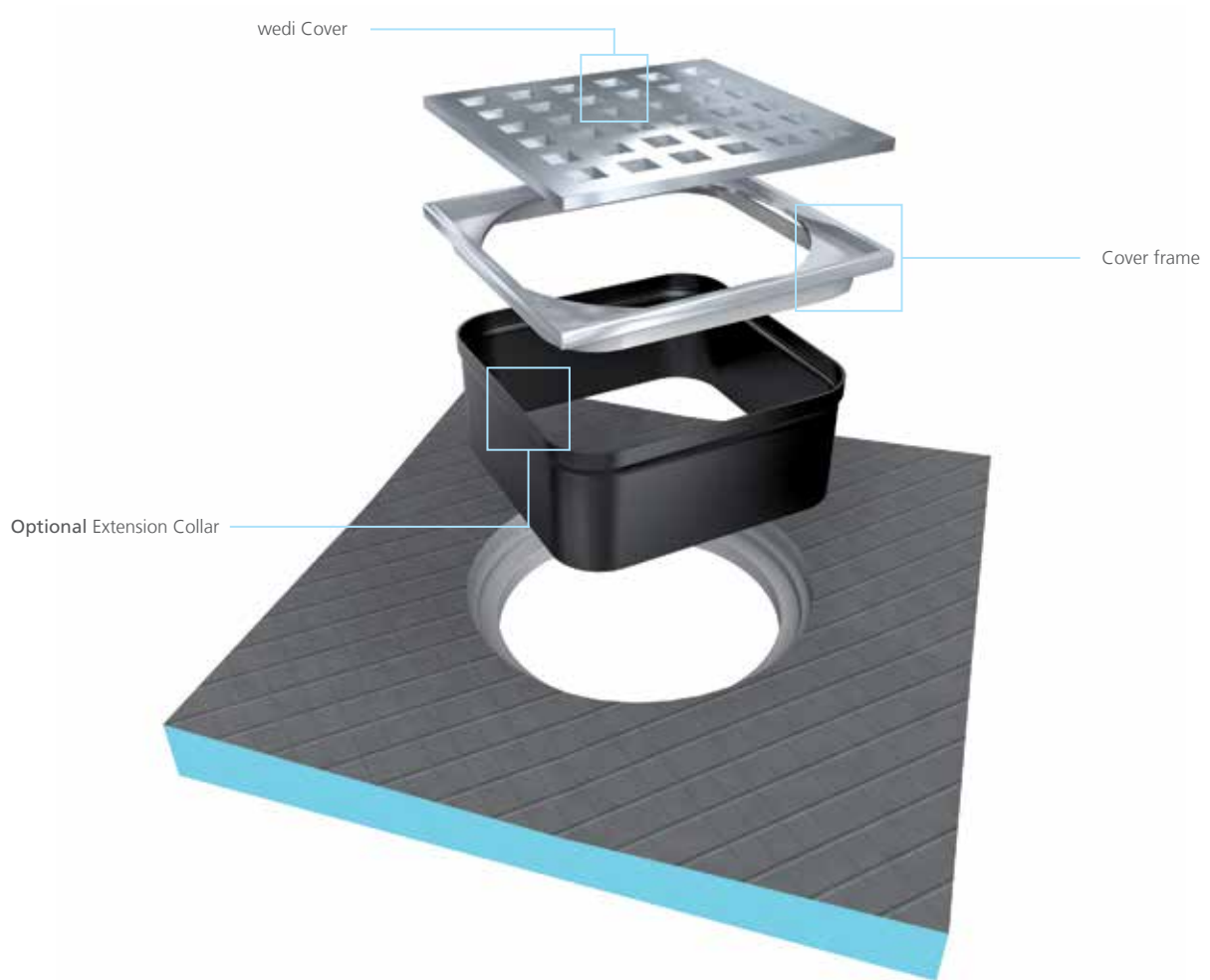
After Installation

All visible joints or seams in the installation are visibly covered and reinforced with wedi Joint Sealant applied flat over the seams. Coverage of wedi Joint Sealant over all seams should be at least 1 inch (25.4 mm) on either side of the seam. The wedi Joint Sealant should be no less than 1/16 inch (1.6 mm) thick for strength. Do not add mesh tape into the wedi Joint Sealant. This may only put the waterproofing performance at risk and will not strengthen the sealant's or system's resistance against movement related stresses. Once wedi Joint Sealant application over all shower system seams has been completed, an optional water flood test may be performed as early as 2 hours later. The test should not exceed 24 hours and nor should the water level exceed the height of the perimeter seams so that the fresh sealant may continue to a full cure without too much weight added during that process. wedi recommends to test at least the drain connection for its proper seal while a full surface flood test is not technically required for non-absorbing products like wedi but may be required by a building inspection department. When tiling commences, no premixed and organic ("mastic") tile adhesives must be used over wedi Systems in any wet area installation. When tiling the wedi Shower Bases, incl. extensions or ramps, tile thickness should generally not be less than 1/8" (3.2 mm). Choose setting materials appropriate for the type of stone, ceramic or glass tile as well as for a wet area installation. Tile with a square size of 2 x 2" (50.8 x 50.8 mm) or more may be installed using a polymer modified cement based tile adhesive and grout. Tile with a square size of less than 2 x 2" (50.8 x 50.8 mm) may be installed using a polymer modified cement based tile adhesive and require 100% solids epoxy grout. Tile with a square size of 1 x 1" (25.4 x 25.4 mm) or less must be installed using a 100% solids epoxy tile adhesive and grout. Only non-flat bottom pebble stone installations including in part small mosaics may be installed using polymer modified cement based tile adhesive and grout, all flat bottom pebble stone installation are subject to the general tile size based setting materials recommendation outlined above. When installing non-square tile, the length of the shortest tile edge(s) is considered as its square size for the purpose of determining the choice of the setting materials as outlined above.

All tile installations designed to receive heavier point loads such as from wheelchair use, must be grouted using 100% solids epoxy grout. Large format tile may be installed over wedi Fundo shower bases. Cuts may have to be made in consideration of the base's slope lines and so that such tile can always be fully supported by the tile adhesive setting bed and the surface of the wedi Base. Tile adhesive coverage under the tile must be 95% and special care must be taken to achieve good transfer of adhesive to wedi's Shower Base when working with mesh backed tile. Use only solvent and acid free cleaners and sealers on tile and grout installed over wedi product and apply such products only in amounts as needed to treat the surface materials without drenching the substrate. Follow setting materials manufacturer's recommendations and contact wedi with any questions or regarding applications not covered here.

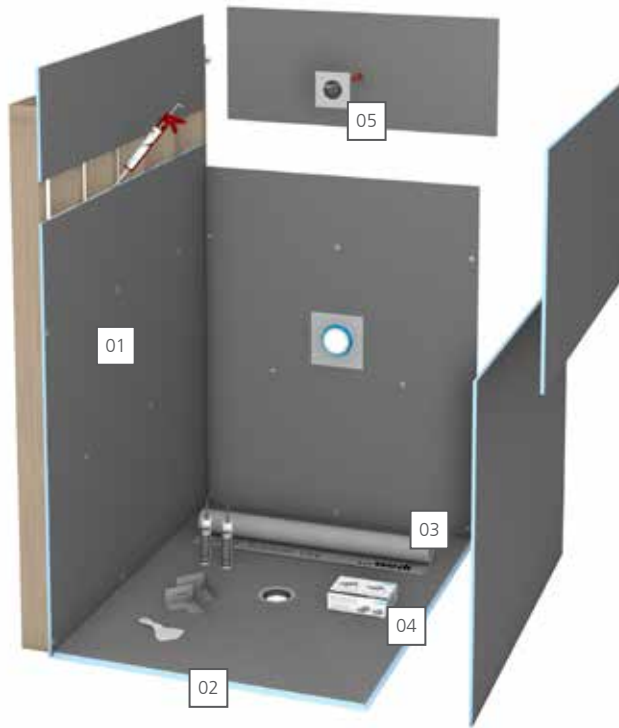
wedi Drain Cover Assembly / Insertion

Insert cover frame into base hole (no glue/no screws). You may caulk between part and tile to create a flexible grout joint. Optional Extension Collar can be cut to height if part is needed. The caulk joint must not create a water barrier damming up the water draining through the thinset bed into the drain from below the tile. Therefore the thinset layer must be continuous toward the drain. Use the black plastic extension collar if you need to raise the wedi frame and cover. Cut extension collar to size and insert below the frame/cover. If not needed, the extension collar may be disposed of as it is not necessary for the functioning of the wedi installation.



wedi Shower Kit – Ligno®

Full Shower System in a Box



All products needed to build a wedi walk-in point drain shower are included and provide a single manufacturer warranty. Safe transportation in one box, easy estimating of product quantities needed. To address all challenges for tile professionals, wedi engineered Fundo Ligno, a sloped shower base $\frac{3}{4}$ " thin at its perimeter and available in various sizes. Fundo Ligno can be field modified. The installation within a $\frac{3}{4}$ " plywood structure requires no cutting into joists. Load-bearing plywood is simply re-installed between floor joists and over wedi's recess kit bracket system. This guarantees a full support and protection of the tiled surface. The wedi typical strong cement based, reinforced surface is pre-sloped, directly tileable with large or small format tile. The Fundo Ligno interlocks with wedi Building Panel used as waterproof backer board on walls as well as on the surrounding floor. Optionally, wedi's Subliner Dry Sheet Waterproofing membrane can be used. Both options offer a complete and professional system installation.

- 01 wedi Building Panel
- 02 wedi Fundo Ligno Shower Base
- 03 wedi Subliner Dry and Accessories
- 04 Screws and Washers
- 05 Subliner Dry Flexi Collars for pipes and valves

*Found in each kit:

- Fundo Ligno Shower Base (1)
- wedi 36 in. OR 48 in. x 60 in. x 1/2 in. Building Panels (5-6)
- wedi Fundo Kit Drain Standard (1)
- wedi Joint Sealant (8 10.5 oz tubes)
- wedi Sealant 620 (2 10.5 oz tubes)
- wedi Fastener Kit (1 screws/washers 100ct)
- wedi Corner Putty Knife (1)
- wedi Mixing Valve Flexi Collar (1)
- wedi Flexi Collar (1)
- wedi Subliner Dry Mat (1)
- wedi Subliner Dry Sealing Tape Outside Corner (2)

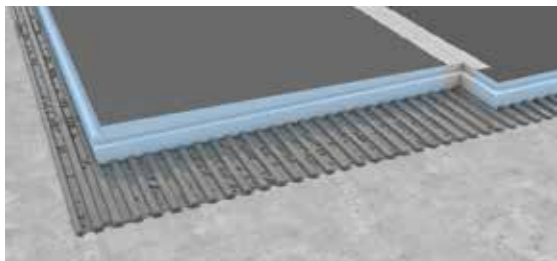
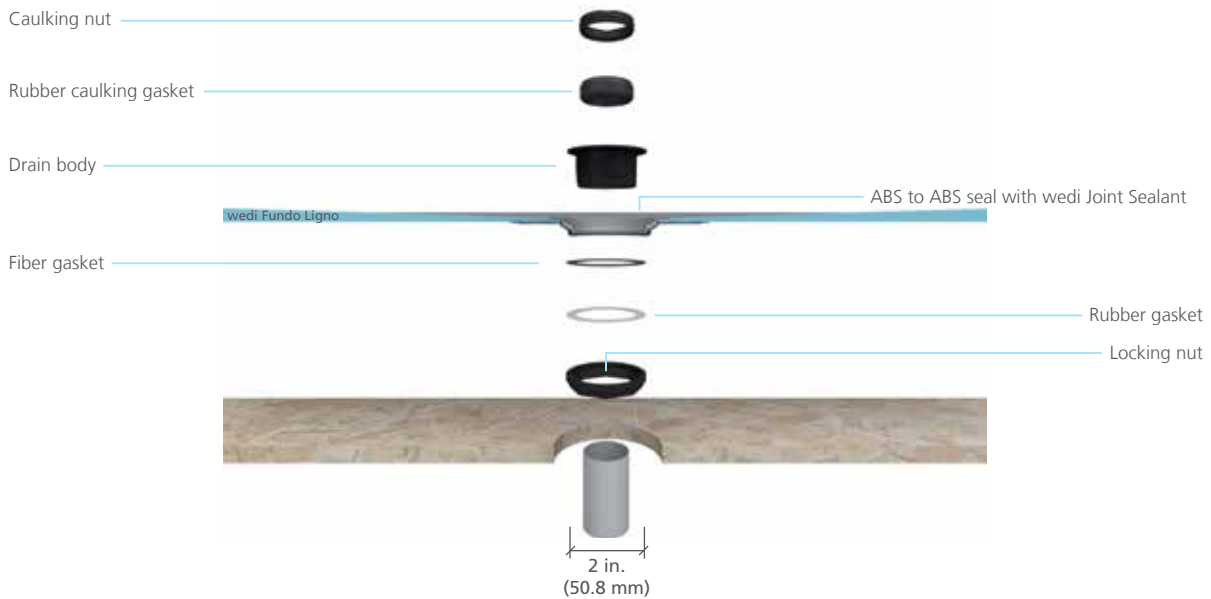
wedi Fundo Ligno Product Information

wedi Fundo Ligno is designed to provide for a low profile base thickness of only 3/4" (19 mm). This allows for a fast and flush installation into a subfloor assembly without cutting into floor joists. The system is designed to work without a curb. Enjoy the ease of installation without creating a structural hazard because you maintain the structural subfloor panels installed between floor joists under the wedi Fundo Ligno. Due to barrier free showers potentially being exposed to heavy point loads (e.g. wheel chair), you can confidently rely on the structural strength of the wedi Base and subfloor as well as the wedi Fundo's traditionally ~~not~~ strong cement based surface for ideal tile bond using any suitable cement based tile adhesives or grouts. As applied to all wedi Fundo Shower Systems, wedi Fundo Ligno is designed to interlock and work with wedi Building Panels, wedi Joint Sealant, wedi Fasteners, wedi Seats and Benches, wedi Niches and many more accessories, that truly complete your shower installation and waterproofing system. The installation is fast, modular but customizable, and covered by wedi's full system warranty.

Note for Installation

Optionally a glue drain can be obtained from wedi. For a cement glue connection, the floor pipe must be cut 2 7/8" (73.2 mm) below the surface of the subfloor. Optionally a brass drain can be obtained from wedi. The installation proceeds as shown for the standard drain provided with each Fundo base.

Drain to Base Assembly



The shower base may be extended using a pre-sloped wedi extension panel.

! Note 2 in. outside diameter is nominal (2 3/8 in. for PVC/ABS schedule 40 pipe and 2 in. for cast iron/copper).



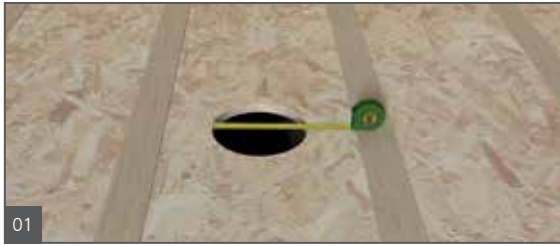
wedi Fundo Ligno® Installation

Before Installation:

- Have extra 2 × 4 blocking installed over bottom plate between studs to support wedi Building Panel to shower base transition area.
- After recessing or when system is installed over regular subfloor, subfloor is stable, even and load bearing, and meets deflection criteria of maximum L/360 and requirements as per IRC. Wooden or concrete structural substrates are dry and sufficiently load bearing considering live and dead load. Wood and Steel framing is sufficiently load bearing, plum and square.
- Floor drain assembly below floor is stabilized, fixed and supported in position, and will not sink under water load.
- Only wedi products (Building Panels, Curb, Joint Sealant and Fasteners) are used for wedi Fundo Shower System assembly.
- Installer has received instructions from wedi Technical Sales Staff or is informed about proper installation methods as described.
- wedi Shower Bases can be cut to size using a skilsaw. The Z notch channel must be remade and cleaned from sawdust or other possible contamination.

i Use wedi Fundo Ligno Recess Kit to safely install and support recessed plywood sheets between floor boards.

- Follow applicable state or local plumbing codes requiring specific and dimensioned waterproofed areas for a shower system or other wet room installation. Requirements in this manual supersede local plumbing codes; they extend and are not in conflict. wedi Shower Systems or other wet room installations in which non-wedi product is also used require specific project recommendations by wedi and may reduce the extent and installation area of protection offered by wedi's warranty.
- Ensure that no fasteners are used and penetrate through any horizontal building panel or shower base surfaces in shower or immediate wet rooms. This includes tub decks, pony shower wall tops, curb tops made from building panels, seat tops. wedi panels in such areas are installed in a full surface applied thinset mortar setting bed.
- Seams in the assembly, which are not flat transitions or right angle inside corner connections, are treated with these extra steps:
 - Assembly parts are installed tight and offer a minimum of ½ in. wide continuous contact/ adhesion surface between two parts, inside which wedi joint sealant is continuously applied.
 - wedi joint sealant is applied over these seams topically, and 1 in. wide on both sides of the seam.
 - wedi mesh tape is installed over these seams and covered with joint sealant 1 in. wide on both sides of the seam.



01 Cut 3/4 in. (19 mm) wood floor base out fitting the space of wedi Fundo Ligno. Safely install 2 in. x 6 in. (50.8 x 152.4 mm) blocking along floor joists and in between floor joists where the perimeter of the Ligno base will be located, install 2 in. x 6 in. (50.8 x 152.4 mm) blocking 3/4 in. (19 mm) below the top of the floor joists. You may also use wedi's Fundo Ligno Recess Installation Kit, which utilizes metal brackets designed to help you recess the wood floor without framing work and can replace the need of 2 in. x 6 in. (50.8 x 152.4 mm) sistering of joists and they may be fastened to the structure to suspend the wood floor subfloor. Adjust for thinset thickness under wedi Fundo Ligno base and/or the flooring underlayment installation adjacent to shower area to create a flush transition for waterproofing and tile between floor and shower area. Re-install 3/4 in. (19 mm) wood floor over blocking or profile system to have the wood floor flush with the floor joists and fill with furring strips on top of floor joists in case the blocking/joist that carry the wood floor under wedi Base is installed higher than 3/4" (19 mm) deep from top of floor joists. Make sure the entire perimeter of the wedi Fundo Ligno base is supported by floor joists or adequate blocking. Make sure the wood floor base shows no seams where close to the cut out for the wedi Fundo Ligno drain. The cutout around the center of the 2 in. (50.8 mm) floor pipe must be 6 1/2 in. (165.1 mm) (max 7 in. [177.8 mm]) in diameter to allow drain recess and must not create any subfloor deflection. The pipe is cut square and even at 5/8 in. (15.9 mm) below the recessed subfloor top surface.



02 Assemble the drain unit following the instruction drawing.



03 Set up a continuous 1/4" (6.4 mm) bead of wedi Joint Sealant along the top side of the wedi Fundo's valve groove profile. Optionally you can apply the bead on the underside of the main drain body's flange. This will help keeping sealant off the threads of the main drain body when it is inserted.



04 Drop the drain body firmly into the sealant.



05 Turn the Fundo base upside down and apply the rubber and the fiber gasket.



06 Tighten the gaskets firmly to the bases' steel ring using the locking nut. Make sure the drain body is still safely received in the valve-bead of sealant. Smooth out excess sealant over the drain body's flange surface.



07 Skim coat the thinset ANSI 118.4 and comb through with a 1/4" x 1/4" (6.4 x 6.4 mm) notched trowel channels pointing to the entrance.



Trowel the thinset on the rear side of the Fundo again using a 1/4" x 1/4" (6.4 x 6.4 mm) notched trowel. There are different ways to ensure good bond of the wedi Base to the subfloor. Required is a setting bed thickness of min. 3/16" (4.8 mm) and max. of 5/16" (7.9 mm) (compressed). Applying thinset on both, the wedi Base and subfloor, is a best practice recommended to achieve full surface coverage adhesion. Another best practice is to use fast setting mortar to achieve faster bond and adhesion. Press the wedi Fundo firmly into the thinset bed, ensuring that the installation is level and void free. Apply some weight equally and leave on surface and drain area to allow the thinset to initially cure without being disturbed (e.g. thinset bags).



Set up a continuous 1/2" (12.7 mm) bead of wedi Joint Sealant along the pans channel on the outer perimeter and only in areas where you can immediately install a building panel into the fresh sealant. Push the wedi Building Panel all the way into the channel of the shower base channel and its bead of sealant. Smooth out any pushed out sealant on the inside seam using a putty knife. Fasten the panels directly to the studs starting 1 ft. (304.8 mm) above the base and in corners while keeping the board pushed down into the channel, and set the fasteners at a rate of 1 fastener per 1 ft. (304.8 mm). One extra fastener is set into the seam to the next panel to create a flush transition. wedi requires wedi Building Panels to be installed in all areas exposed to water and in any case no lower than 6" (152.4 mm) above all water inlet fixtures.

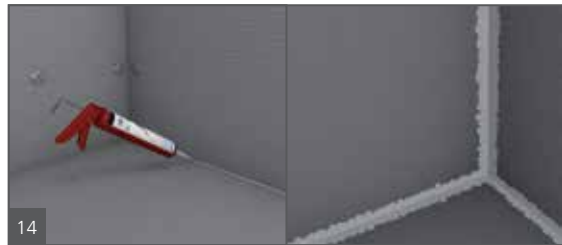


Set up the rubber caulking gasket (with the beveled side up) around the 2" (50.8 mm) pipe in the subfloor. The rubber gasket must be flush with the upper end of the 2" (50.8 mm) ABS or PVC pipe.

Do not use any lubricants.



60 minutes after initial installation of the drain with wedi Joint Sealant tighten (squeeze) the rubber caulking gasket firmly with the caulking nut (use a flat headed screwdriver) and finally insert the plastic frame and strainer on top (without adhesive). The frame and strainer will be held in a grout joint only once tiling commences. Do not tighten the gasket prior to 60 minutes after the threaded drain part was sealed into the shower base.



Apply continuous 1/2" (12.7 mm) beads of sealant between all connections of panels and install with tightly butted seams. Excess sealant must be spread flat with a putty knife. All seams and fastener heads in the assembly are covered with a secondary 1/2" (12.7 mm) bead of sealant and spread flat. The seams should be covered 1" (25.4 mm) on either side of seam. All fastener/washers are covered with sealant stretching 1" (25.4 mm) over the washer edges.

i For the installation to properly work it is critical to waterproof all penetrations of the wedi product such as shower valves and shower heads using the appropriate sealing gaskets for the application. The wedi Mixing Valve Flexi Collar and wedi Flexi Collar (for 1/2" – 3/4" [12.7–19 mm] shower pipe protrusions) are used for these applications and are part of the wedi System complete warranty.



wedi Niches are installed in a cut out in the wedi wall and attached with its flange right into the center of 16" (406.4 mm) o.c. studs. wedi Joint Sealant is set along the connection of wall to niche.



2 Fasteners on each side of the niche are set to create a flush transition to the wall panels. Another 1/2" (12.7 mm) bead of wedi Joint Sealant is spread over fasteners and seams.



Fill unused Ligno perimeter channels by sealing in wedi Panel strips (included in box). Prepare to install wedi Subliner Dry waterproofing membrane over the subfloor outside the shower and reaching 4" (101.6 mm) into the Ligno and going up at walls at least 2" (50.8 mm) (flashing) by applying modified thinset using a 1/4 x 1/4" (6.4 x 6.4 mm) notch trowel. The area to be so waterproofed starts 4" (101.6 mm) into the Ligno and extends at minimum 3 ft. (914.4 mm) outside of the shower or as far as shower/spray water may reach. We recommend to waterproof the entire bathroom floor as water may spread below tile level and on top of waterproofing.



Apply a modified thinset (ANSI 118.4 or equivalent) across the wood or cement board floor surface and now apply wedi Subliner Dry Sheet waterproofing membrane overlapping into the Ligno base for 4" (101.6 mm). Apply wedi's prefabricated outside or inside sealing tape corners and sealing tape or Subliner Dry folds as a flashing to the wedi wall panels/Ligno and Subliner dry sheets as applicable. Install this waterproofing system over the floor substrate outside the shower. All areas subject to water splashes and spray must be waterproofed. wedi recommends to waterproof the entire bathroom floor (including a flashing up into the wall at least to the height of a regular base board or 2" [50.8 mm] high) in spaces where curbless showers are being installed.

Subliner Dry sheet waterproofing membranes are installed to the applicable surfaces using thinset mortar. All overlapping seams between Subliner Dry to wedi Fundo or Building Panel, and between Subliner Dry sheets are sealed with a full bed of wedi Sealant 620 for a width of 2" (50.8 mm). All Subliner Dry tape and prefabricated corner tapes are fully embedded and installed

using wedi Sealant 620. The wedi Sealant 620 can be installed once the thinset mortar below the membrane has cured (see also installation manual wedi Subliner Dry). Your shower is ready for tile once wedi Sealant 620 is dry to the touch. Alternatively to Subliner Dry sheet membrane system wedi Building Panels in 1/4" (6.4 mm) or 1/2" (12.7 mm) and 3/4" (19 mm) thickness (3/4" [19 mm] panel if no recess of base and base connected to wedi Panel with a Z notch connection in the panel connecting to Ligno base's channel) can be used as the floor tile underlayment in lieu of cement board and Subliner waterproofing. wedi Building Panel would be installed over wood floor subfloor and overlap and seal into the Ligno channel. In such application the Ligno base must be raised to allow its channel to fully stick out from the recessed area so wedi Floor Building Panels can be interlocked with its channel. All seams to wedi walls or Ligno base are sealed internally with wedi Joint Sealant, and are covered with an external 1/2" (12.7 mm) bead of wedi Joint Sealant spread flat. Your shower is ready for tiling once thinset under wedi Subliner Dry or wedi Building Panels on floor has cured.

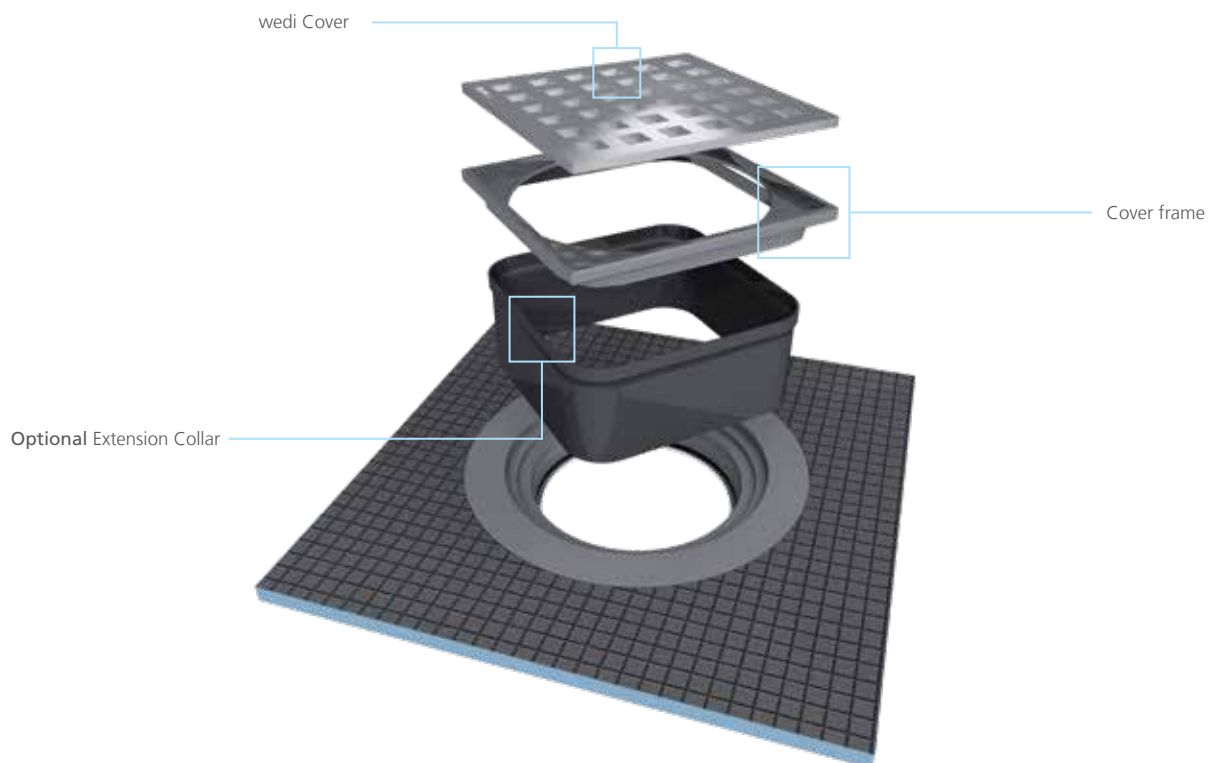
After Installation

All visible joints or seams in the installation are fully covered and reinforced with wedi Joint Sealant applied flat over the seams. Coverage of wedi Joint Sealant over all seams should be at least 1" (25.4 mm) on either side of the seam. The wedi Joint Sealant should be no less than 1/16" (1.6 mm) thick for strength. Do not add mesh tape into the wedi Joint Sealant. This may only put the waterproofing performance at risk and will not strengthen the sealants or systems resistance against movement related stresses. Once wedi Joint Sealant application over all shower system seams has been completed, an optional water flood test may be performed as early as 48-hours later. The test should not exceed 24 hours and nor should the water level exceed the height of the perimeter seams, including a temporary dam which should be installed at the entry and 1/2" (12.7 mm) high, so that the fresh sealant may continue to a full cure without too much weight added during that process. wedi recommends to test at least the drain connection for its proper seal while a full surface flood test is not technically required for non-absorbing products like wedi but may be required by a building inspection department.

When tiling commences, no premixed and organic ("mastic") tile adhesives must be used over wedi Systems in any wet area installation. When tiling the wedi Shower Bases incl. extensions or ramps, tile thickness should generally not be less than 1/8" (3.2 mm). Choose setting materials appropriate for the type of stone, ceramic or glass tile as well as for a wet area installation. Tile with a square size of 2 x 2" (50.8 x 50.8 mm) or more may be installed using a polymer modified cement based tile adhesive and grout. Tile with a square size of less than 2 x 2" (50.8 x 50.8 mm) as well as non-flat pebble stones with tile edges less than 2" (50.8 mm) may not be installed over the Fundo Ligno. All tile installations designed to receive heavier point loads such as from wheelchair use, must be grouted using 100% solids epoxy grout. Large format tile may be installed over wedi Fundo shower bases. Cuts may have to be made in consideration of the base's slope lines and so that such tile can always be fully supported by the tile adhesive setting bed and the surface of the wedi Base. Tile adhesive coverage under the tile must be 95% and special care must be taken to achieve good transfer of adhesive to wedi's shower base when working with mesh backed tile. Please use only solvent and acid free cleaners and sealers on tile and grout installed over wedi product and apply such products only in amounts as needed to treat the surface materials without drenching the substrate. Follow setting materials manufacturers recommendations and contact wedi with any questions or regarding applications not covered here.

wedi Drain Cover Assembly / Insertion

Insert cover frame into base hole (no glue/no screws). You may caulk between part and tile to create a flexible grout joint. Optional Extension Collar can be cut to height if part is needed. The caulk joint must not create a water barrier damming up the water draining through the thinset bed into the drain from below the tile. Therefore the thinset layer must be continuous toward the drain. Use the black plastic extension collar if you need to raise the wedi frame and cover. Cut extension collar to size and insert below the frame/cover. If not needed, the extension collar may be disposed of as it is not necessary for the functioning of the wedi installation.





01 Measure and mark subfloor to be removed. Use a safe saw to cut close to the framing but also in a safe and clean way. wedi recommends a combination of saws including a sawzall and a saw like Dremel (r) US40 01 120 V where a standard circular saw might not reach. Make sure your 2" (50,8 mm) floor waste pipe is installed and positioned to fit the Ligno shower base drain. The pipe must be cut 5/8 inch (15,9 mm) below the surface of the recessed floor to be installed between the joists. A 6 1/2" (165,1 mm) cut out must be made into that floor strip with the drain pipe in its center. It is important to position the drain and cut out to not interfere with a floor joist.

wedi Fundo Ligno® Recess Kit

The Fundo Ligno Recess Installation Kit is designed to help you recess a wood floor between existing floor joists (2x10 joists, engineered or I joist construction) without the need of sistering these joists with more 2x6 or other wood framing material. It will add safety in terms of structural stability of the recess, but will also allow for a safe installation process, and save much time compared to working with framing material only.

The wedi recess bracket support system will allow a 3/4" wood floor to be solidly situated between and flush with joists. The bracket system connects, carries and supports the recessed wood not only along floor joists but also along surrounding subfloor (not recessed) as well as sides of the shower where the wood meets the framing bottom plates.

Please ensure the general subfloor construction, prior to installing the wedi system meets current IRC requirements for structural construction and dead and live load minimums, as well as a deflection potential of less than L/360. Once the wedi Bracket System is installed, and the recessed floor is in place, all requirements will still be met or exceeded.

The system comes in one box equipped with two different profile types and all the hardware needed. One Kit covers recess spaces for a Fundo Ligno up to 5 x 5 ft. in size. Do not use this system for any other recessed shower installations except wedi Fundo Ligno system.



02 Cut the joist brackets to the length of the exposed floor joists. Depending on length and direction of floor joists. Please do not use joist brackets shorter than 12" (304,8 mm) or equipped with less than two (at least partial) mounting flanges.



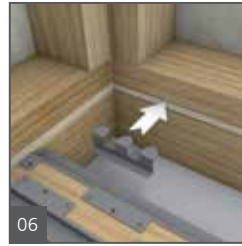
03 Install the joist brackets to the floor joist using the flat head Phillips wood screws provided by wedi. Set one (1) screw per each mounting flange in the center screw hole (unless bracket is cut which is when at minimum two mounting flanges must be fastened using available screw holes). Brackets should be aligned with top and side of floor joists but allowing for up to 1/8" and minimum of 1/16" of space between the floor joist's vertical side and the metal bracket. This helps mitigating wood movement and irregularities in the floor joist itself without creating too much tension.



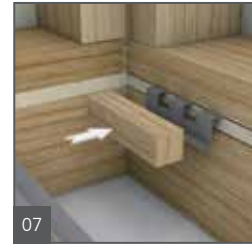
Fasten the next bracket on the other side of the floor joist. Stagger the tabs, so you may need to cut the brackets.



Repeat process shown under 4. and install joist brackets to all exposed joists.



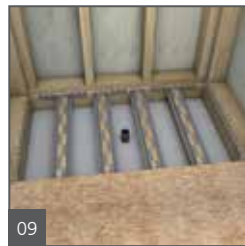
Place C brackets at the wall sides. The C brackets are installed at both ends of the recess area first and then along the wall / side every 12" (center of C bracket to center of C bracket).



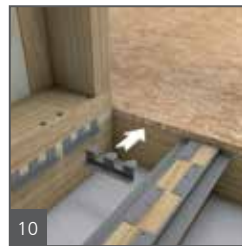
The C brackets are inserted with their claws between floor surface and underside of the base plate. Use a wood block or a hard rubber mallet to push C brackets into position.



Make sure the C Brackets are mounted in a level position (assuming a level base plate) and use flathead Phillips self-drilling screws with wings provided by wedi. Fasten through the base plate and into the two (2) metal claws resting between base plate and wood floor top.



Install one (1) C bracket against the wall and centered between each pair of floor joists (if joist spacing 16" o.c.). If the Joist spacing is greater than 16" o.c. please install two (2) C brackets centered between each pair of floor joists.



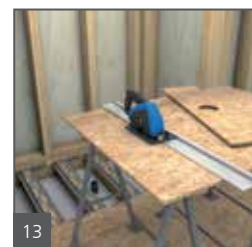
Dry fit C brackets to the edge of the wood floor to ensure C Brackets can be installed for full support along the edge of the floor plate. Use a wood block or hard rubber mallet to push the brackets in position.



Use flat head Phillips self-drilling screws with wings provided by wedi to fasten C brackets to the edge of the wood floor plate at the open side of the future shower area. Fit brackets between flanges of joist/wall brackets. Use two (screws) to fasten this bracket through the wood floor and into the lower claws. When working with floor joists with a spacing greater than 16", use 1 full C bracket and another one cut to length for full support along the edge of the floor.



Measure and mark to cut wood strips tightly fitting into the recess bracket support system between joists, wall framing and regular subfloor. Leave a 1/8" (3,2 mm) gap between wood strips and brackets so the wood may move without creating too much tension.



Cut the wood floor strips incl. the strip for the drain area featuring a 6 1/2" (165,1 mm) diameter hole to be seated over the center of the floor waste pipe.



Clean and degrease the bracket support flanges/surfaces and apply a 1/4" (6.35 mm) bead of wedi Joint Sealant. Use wedi Joint Sealant or a construction adhesive suitable for metal and wood application.



Place all wood strips into position on brackets.



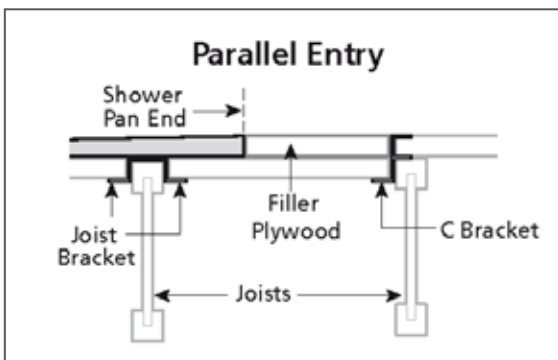
Secure wood strips to C and Joist brackets using flat head Phillips self-drilling screws with wings as provided by wedi. Fasten at minimum every 10 (ten) inches where joist brackets are present, or where C brackets are in line along the framed wall and parallel to the floor joists. Fasten wood into all other C brackets with a minimum of two (2) screws where singular C Brackets are mounted between floor joists on wall framing or wood floor transition side.



Install wedi Fundo Ligno in a bed of tile adhesive as per Ligno installation manual.



Your Ligno shower is now flush with the surrounding subfloor and is supported by a subfloor with absolute structural integrity, so important for safe tile installation and without the risk of cracks in tile or grout so typical to tile substrate installations or shower systems installed with insufficient support.



i When joists are parallel to the shower entry, the transition to recessed floor needs to be placed on the front (the edge of a joist adjacent to the recessed part) edge of floor joist regardless of placement. Sometimes the recess needs to be extended past the intended shower pan. The space will be treated the same as any recessed one but filled back in with 5/8" (15,9 mm) thick plywood up to the intended shower pan. This Product is for use with wedi Fundo Ligno Shower System only. The Product is tested and warranted exclusively for this use. Please do not use this product to recess a subfloor and install any other shower or building structure in such recess supported by this product. wedi Ligno Recess Installation Kit has undergone thorough testing and passed Robinson Test C627 for floor assemblies.

wedi Fundo OneStep Shower System Product Information

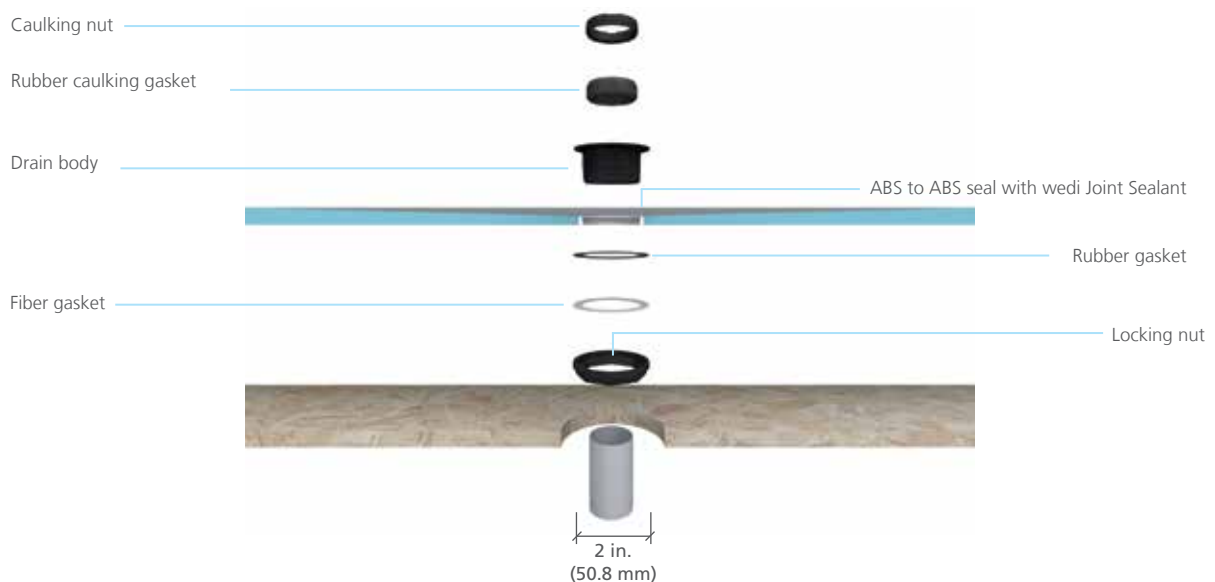
These added values and its detail perfections eliminate the technical concerns in shower installations. However, this is not where wedi shower systems stop offering its added values. The wedi Fundo shower system adds to your productivity and enables you to provide real value to your customers. Our wedi Fundo Shower systems reduce the installation time for just the shower floor from a 2–3 day process (includes drying times) to only 30 minutes when compared to traditional methods built with pre slope, vinyl liner and final mortar bed. wedi helps you to turn showers into service quicker, cleaner and safer. Especially for our contractors, Fundo Primo helps to get to setting tile faster and on a much more consistent and tile friendly surface. Customers will appreciate the “no noise and no dirt/dust” installation. The wedi products do not contain harmful ingredients providing peace of mind to contractors and end users.

- Fundo base with integrated wall and curb
- Passes ANSI Z124.1.2 / National Approval ICC PMG Report 1189
- 3 different sizes with custom options
- Use with wedi Building Panels or other types of backer board (most will require added waterproofing)
- Solid, pre-sloped, directly tileable surface
- Can be used with small & large format tile; set with modified thinset
- Square, high quality stainless steel drain cover/frame
- No seam & no leak potential due to installation mistakes
- Easy drain hook-up to floor pipes cut flush with subfloor
- Subfloor attachment with only thinset adhesive
- wedi OneStep requires no thick mortar bed underneath unlike common competitive preformed units which require added support
- No more epoxy thinset tiling as with other common preformed units

Note for Installation

Optionally a glue drain can be obtained from wedi. For a cement glue connection, the floor pipe must be cut 2 1/4" below the surface of the subfloor. Optionally a brass drain can be obtained from wedi. The installation proceeds as shown for the standard ABS drain provided with each Fundo Primo base.

Drain to Base Assembly



 For more detailed installation steps and information please visit www.wediacorp.com



wedi OneStep Installation

Before Installation:

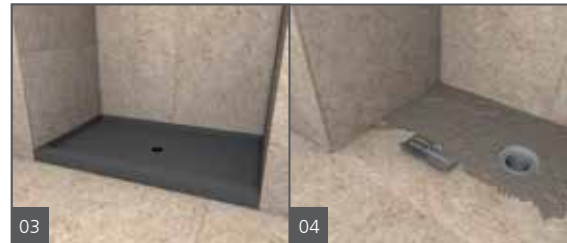
- Subfloor is stable, even and load-bearing, and meets deflection criteria of maximum L/360 and requirements as per IRC. Wooden or concrete structural substrates are dry and sufficiently load-bearing considering live and dead load. Wood and Steel framing is sufficiently load-bearing, plum and square.
- Floor drain assembly below floor is stabilized, fixed and supported in position, and will not sink under water load.
- Installer has received instructions from wedi Technical Sales Staff or is informed about proper installation methods as described.



Cut the 2" (50.8 mm) pipe flush to the surface of the floor construction. Make sure that the cut out fits to the OneStep base drain. Cut out a 5" (127 mm) diameter hole around the 2" (50.8 mm) pipe to allow the wedi drain to be inserted into the subfloor. The drain and trap have to be safely fastened to the subfloor.



Set up a continuous 1/4" (6.4 mm) bead of wedi sealant along the top side of the wedi OneStep valve groove profile. Drop the drain body firmly into the sealant. Turn the OneStep base upside down and apply the rubber and the fiber gasket. Tighten the gaskets firmly to the base's steel ring.



Dry fit the base and make sure that floor drain is located in the center of the wedi drain. Make sure the base walls are square and tight with the framework.

Skim coat the thinset ANSI 118.4 and comb through with a 1/4 x 1/4" (6.4 x 6.4 mm) notched trowel. Channels pointing to the entrance. Trowel the thinset on the rear side of the OneStep again using a 1/4 x 1/4" (6.4 x 6.4 mm) notched trowel. There are different ways to ensure good bond of the wedi Base to the subfloor. Required is a setting bed thickness of min. 3/16" (4.8 mm) and max. of 5/16" (7.9 mm) (compressed). Applying thinset on both, wedi Base and subfloor, is a best practice recommended to achieve full surface coverage adhesion.



Press the Fundo OneStep firmly into the thinset bed, ensuring that the installation is level and void free. Apply some weight equally and for at least 30 minutes (thinset bags).



Set up the rubber caulking gasket (bevelled side up) around the 2" (50.8 mm) pipe in the subfloor. The rubber gasket must be flush with the upper end of the 2" (50.8 mm) ABS or PVC pipe. Tighten the connection using caulking nut, metal guide and screw driver.



You can now install waterproof wedi 1/2" (12.7 mm) Building Panels directly to the framework and seal all joints and fastener points as usual and per wedi Building Panel installation guidelines (you may install other Backer boards but have to add topical waterproofing/membranes). Your shower is ready for tile

i Please note important considerations for "After Installation" and refer to such text in the installation manual for wedi Fundo OneStep in this handbook.



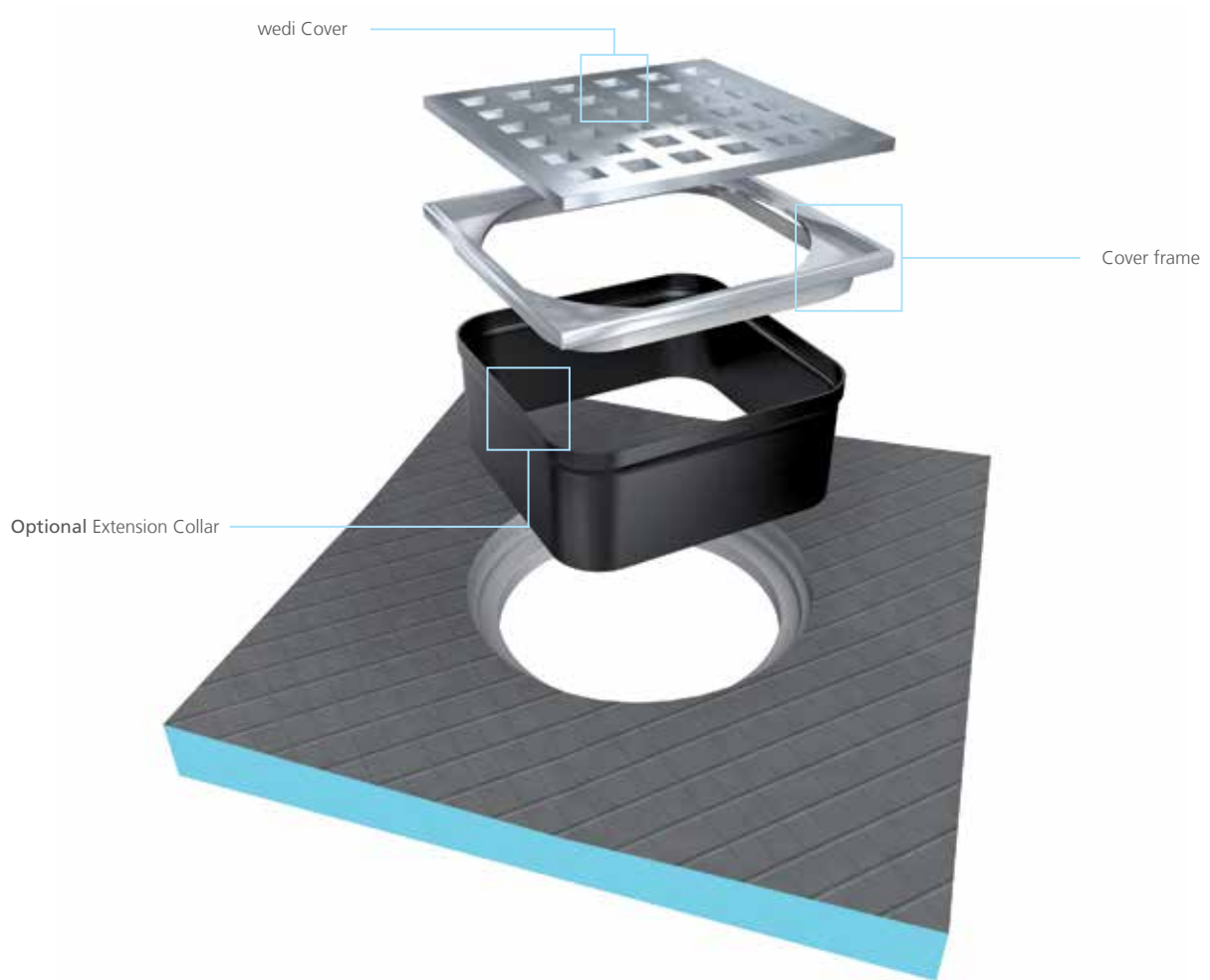
After Installation

All visible joints or seams in the installation are visibly covered and reinforced with wedi Joint Sealant applied flat over the seams. Coverage of wedi Joint Sealant over all seams should be at least 1 inch (25.4 mm) on either side of the seam. The wedi Joint Sealant should be no less than 1/16 inch (1.6 mm) thick for strength. Do not add mesh tape into the wedi Joint Sealant. This may only put the waterproofing performance at risk and will not strengthen the sealant's or system's resistance against movement related stresses. Once wedi Joint Sealant application over all shower system seams has been completed, an optional water flood test may be performed as early as 2 hours later. The test should not exceed 24 hours and nor should the water level exceed the height of the perimeter seams so that the fresh sealant may continue to a full cure without too much weight added during that process. wedi recommends to test at least the drain connection for its proper seal while a full surface flood test is not technically required for non-absorbing products like wedi but may be required by a building inspection department. When tiling commences, no premixed and organic ("mastic") tile adhesives must be used over wedi Systems in any wet area installation. When tiling the wedi Shower Bases, incl. extensions or ramps, tile thickness should generally not be less than 1/8" (3.2 mm). Choose setting materials appropriate for the type of stone, ceramic or glass tile as well as for a wet area installation. Tile with a square size of 2 x 2" (50.8 x 50.8 mm) or more may be installed using a polymer modified cement based tile adhesive and grout. Tile with a square size of less than 2 x 2" (50.8 x 50.8 mm) may be installed using a polymer modified cement based tile adhesive and require 100% solids epoxy grout. Tile with a square size of 1 x 1" (25.4 x 25.4 mm) or less must be installed using a 100% solids epoxy tile adhesive and grout. Only non-flat bottom pebble stone installations including in part small mosaics may be installed using polymer modified cement based tile adhesive and grout, all flat bottom pebble stone installation are subject to the general tile size based setting materials recommendation outlined above. When installing non-square tile, the length of the shortest tile edge(s) is considered as its square size for the purpose of determining the choice of the setting materials as outlined above.

All tile installations designed to receive heavier point loads such as from wheelchair use, must be grouted using 100% solids epoxy grout. Large format tile may be installed over wedi Fundo shower bases. Cuts may have to be made in consideration of the base's slope lines and so that such tile can always be fully supported by the tile adhesive setting bed and the surface of the wedi Base. Tile adhesive coverage under the tile must be 95% and special care must be taken to achieve good transfer of adhesive to wedi's Shower Base when working with mesh backed tile. Use only solvent and acid free cleaners and sealers on tile and grout installed over wedi product and apply such products only in amounts as needed to treat the surface materials without drenching the substrate. Follow setting materials manufacturer's recommendations and contact wedi with any questions or regarding applications not covered here.

wedi Drain Cover Assembly / Insertion

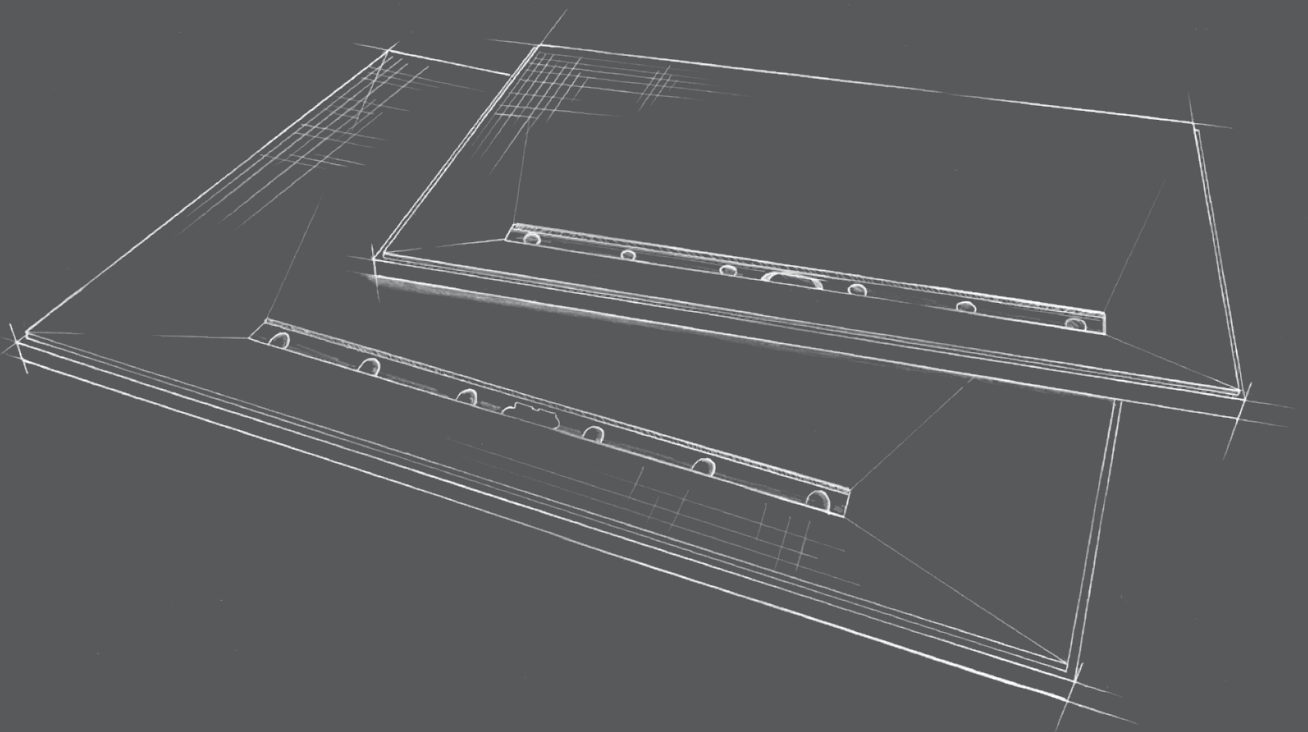
Insert cover frame into base hole (no glue/no screws). You may caulk between part and tile to create a flexible grout joint. Optional Extension Collar can be cut to height if part is needed. The caulk joint must not create a water barrier damming up the water draining through the thinset bed into the drain from below the tile. Therefore the thinset layer must be continuous toward the drain. Use the black plastic extension collar if you need to raise the wedi frame and cover. Cut extension collar to size and insert below the frame/cover. If not needed, the extension collar may be disposed of as it is not necessary for the functioning of the wedi installation.



04

Linear shower systems

Everything for the shower area with stylish linear drainage, optionally with the drainage channel close to the wall, at a distance from the wall or centrally positioned. In addition to the shower element, wedi offers matching drains and a wide variety of channel covers as standard, exclusive or tileable variants.





The wedi Fundo Riolito® neo

wedi's pre-sloped Fundo Riolito neo Shower Base features the only fully factory sealed and integrated linear drainage systems. The bases itself are naturally waterproof as well as mold proof, due to their closed cell XPS foam core. The Fundo Riolito neo bases come with the wedi typically strong and ready for tiling surface coating. All Fundo Riolito neo shower bases can be field modified. They can be cut to size or extended using wedi's pre-sloped Fundo extensions. The integrated drain in Fundo Riolito neo ensures your installation is not exposed to the risk commonly associated with bonding flange design/surface waterproofing installation-type, single drain products.

wedi Fundo Riolito® Modular

the wedi Fundo Riolito neo Modular Shower Base features the only fully sealed and factory integrated waterproof drain assembly available in the market of customizable shower floor systems with linear drainage. The bases itself are naturally waterproof as well as mold proof, due to their closed cell XPS foam core.

The Fundo Riolito neo Modular bases are available in two design options. The first option includes models featuring a one-piece shower base including the drain trench. These provide 1-way or 4-way slopes. The second option, Riolito neo Modular is designed to offer more flexibility as it consists of two basic elements: one module including the line module which is a trench drain integrated in a wedi Base module, the other being a sloped extension panel. Drainage can be installed close to the wall or two extension models leading away from either side of an i.e. centered drain. The line modules may also be used with mortar bed shower applications (to be topically waterproofed using wedi Subliner Dry, connecting to the Riolito neo line module).



wedi Fundo channel frames

wedi offers matching, stylish channel frames for its channel covers for wedi Fundo shower elements with linear drainage. They are available individually with an appropriate standard channel cover and form an optically appealing transition between the cut edge of tiles and the drain channel.

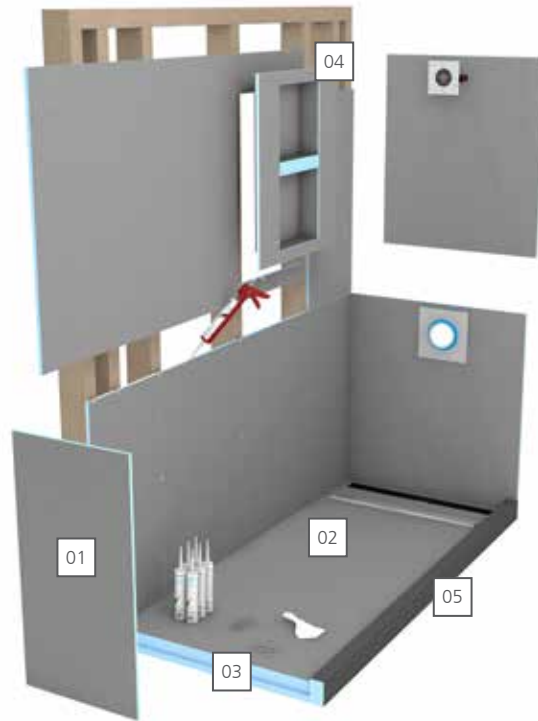


Fundo Discreto

The attractive alternative to classic channel drains: Fundo Discreto. The attachment creates an optical illusion of the water flowing from the floor into the wall and allows the channel to disappear. It works in combination with a wedi Riolito linear drain base, which provides the actual drainage. Fundo Discreto is installed onto the linear drain channel of the Riolito base.

wedi Shower Kit – Riolito®

Full Shower System in a Box



All products needed to build a wedi line drain shower are included and provide a single manufacturer warranty. Safe transportation in one box, easy estimating of product quantities needed. The unique wedi Fundo Riolito neo bases allow water to drain away through a narrow gap between their drains cover plate and the tile surface finish. wedi Fundo Riolito neo is always equipped with the drain unit but covers are ordered separately. Options for covers include a polished stainless steel version, a double plated brushed stainless steel version, and a tileable version.

Available in 4-way and 2-way or single slope designs with close to the wall drains, wedi Riolito neo features the industries only factory sealed drain for use in custom shower configurations. What is more, the Fundo Riolito neo is available in one-piece shower base panels or as a modular system offering a separate drain module and an extension module to combine and configure custom layouts even easier.

- 01 wedi Building Panel
- 02 wedi Fundo Riolito Shower Base
- 03 Screws, Washers and Putty Knife
- 04 Shower Niche (Optional)
- 05 wedi Full Foam Curb Lean

*Found in each kit:

- Fundo Riolito neo Line Module (1)
- Fundo Riolito neo Extension Module (1)
- wedi 36 in. x 60 in. x 1/2 in. Building Panels (6)
- wedi Full Foam Curb, Lean (1)
- wedi Riolito Drain Kit (1)
- wedi Fundo Riolito Standard Cover Plate (1)
- wedi Joint Sealant (8 10.5 oz tubes)
- wedi Fastener Kit (1 screws/washers 100ct)
- wedi Corner Putty Knife (1)
- wedi Mixing Valve Flexi Collar (1)
- wedi Flexi Collar (1)

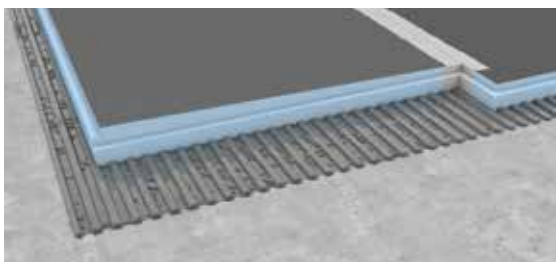
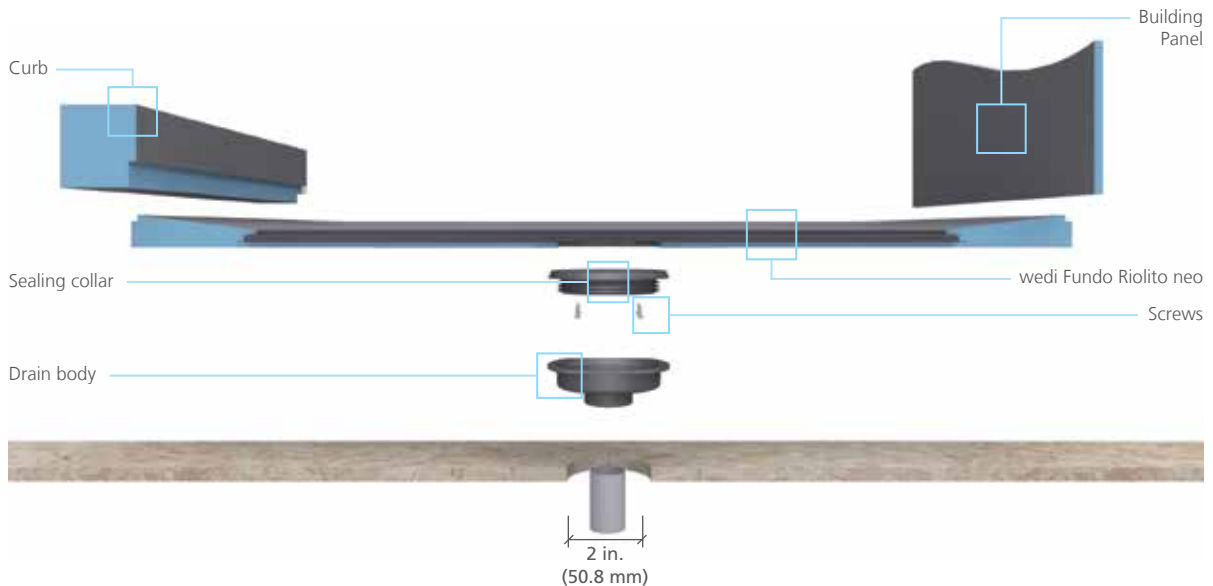
wedi Fundo Riolito neo Product Information

Several models with 4-way slope fields provide for a perfect installation when recessing the base into a subfloor where a flush to the floor entry is required. The second option includes models with a true one way slope towards the linear drain. This latter option is especially designed to accommodate tub to shower conversions without the need to ever move the floor drain pipe.

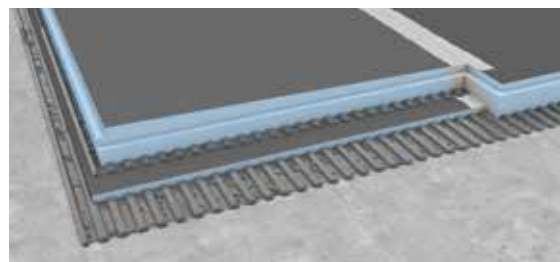
Linear Drain Shower Floor Solutions

wedi's Fundo Riolito neo linear drain shower bases feature the only fully sealed and factory integrated waterproof drain assembly available in the market of customizable shower floor systems with linear drainage.

Drain to Base Assembly



The shower base may be extended using a pre-sloped wedi extension panel.



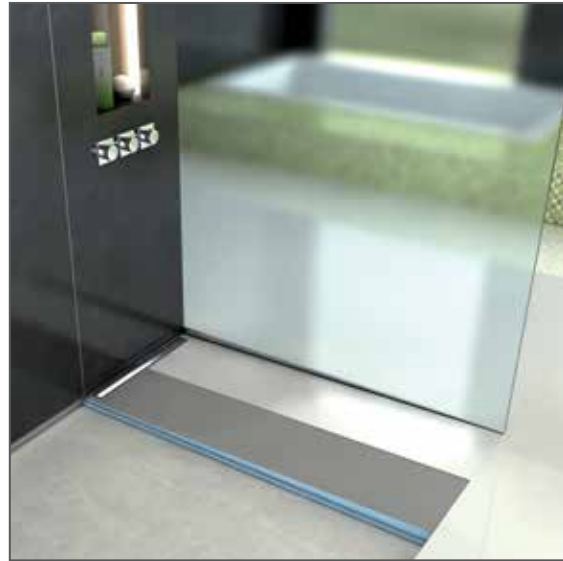
wedi shower bases thicker than 1 1/2 in. where an extension is connected require a wedi building panel be placed under the extension panel to adjust for a proper connection fit.

! Note 2 in. outside diameter is nominal (2 3/8 in. for PVC/ABS schedule 40 pipe and 2 in. for cast iron/copper). Fundo Riolito neo employs different drain and drain cover assembly parts. Please refer to the installation manual in the actual product box. In this section Fundo Riolito neo we are showing the Fundo Riolito neo Drain and Drain Cover parts and assembly. Several Riolito neo models naturally feature different perimeter height or thickness at the edge. Therefore, pre-made standard notch connections of wedi curbs must be modified in the field for a tight fit to the bases. Ramps and Extension panels can naturally not fit to all models and might be modified in the field as well.

wedi Fundo Riolito® neo Installation

Before Installation:

- Have extra 2 × 4 blocking installed over bottom plate between studs along to support wedi Building Panel to shower base transition area.
- Subfloor is stable, even and load bearing, and meets deflection criteria of maximum L/360 and requirements as per IRC. Wooden or concrete structural substrates are dry and sufficiently load bearing considering live and dead load. Wood and Steel framing is sufficiently load bearing, plum and square.
- Floor drain assembly below floor is stabilized, fixed and supported in position, and will not sink under water load.
- Only wedi products (Building Panels, Curb, Joint Sealant and Fasteners) are used for wedi Fundo Shower System assembly.
- Installer has received instructions from wedi Technical Sales Staff or is informed about proper installation methods as described.
- wedi Shower Bases can be cut to size using a skilsaw. The Z notch channel must be remade and cleaned from sawdust or other possible contamination.
- Follow applicable state or local plumbing codes requiring specific and dimensioned waterproofed areas for a shower system or other wet room installation. Requirements in this manual supersede local plumbing codes; they extend and are not in conflict. wedi Shower Systems or other wet room installations in which non-wedi product is also used require specific project recommendations by wedi and may reduce the extent and installation area of protection offered by wedi's warranty.
- Ensure that no fasteners are used and penetrate through any horizontal building panel or shower base surfaces in shower or immediate wet rooms. This includes tub decks, pony shower wall tops, curb tops made from building panels, seat tops. wedi panels in such areas are installed in a full surface applied thinset mortar setting bed.



- Seams in the assembly, which are not flat transitions or right angle inside corner connections, are treated with these extra steps:
 - Assembly parts are installed tight and offer a minimum of ½ in. wide continuous contact/ adhesion surface between two parts, inside which wedi joint sealant is continuously applied.
 - wedi joint sealant is applied over these seams topically, and 1 in. wide on both sides of the seam.
 - wedi mesh tape is installed over these seams and covered with joint sealant 1 in. wide on both sides of the seam.



Cut the 2" (50.8 mm) pipe 1 ¼" (31.8 mm) below the top of the Sub-floor. Use the oval shape cutting template where you want to position the drain to cut out subfloor using a jigsaw to allow wedi drain trap to be inserted and connected to floor pipe using appropriate ABS compatible or multipurpose cement glue. Please also check cement glue compatibility to floor pipe material. The drain and trap have to be secured to the subfloor. Drain recess cut out must not add deflection to subfloor. Assemble the drain unit following the instruction drawing. wedi's Fundo Riolito neo bases can be cut to size on all sides making drain positions as close to the wall possible. Do not cut into the linear drains plastic flange integrated into the coated foam part of the base. Once cut the ½" × ½" (12.7 × 12.7 mm) channels at the new base perimeter must be reestablished. When cutting close to the drain channel always leave enough wedi foam for re-making the needed ½" × ½" (12.7 × 12.7 mm) channel.

Glue and seal the wedi drain trap to the 2" (50.8 mm) pipe using appropriate solvent cement glue for the plastics involved. Do not screw drain body/ trap to floor. Secure with some dabs of wedi Joint Sealant under flange instead. Mount the oval sealing collar/gasket to the base's receiving ABS plastic channel on its underside with no gaps showing in between both parts. Use only the wedi screws provided and manually tighten with a Phillips screwdriver. Instead of gluing the drain trap to the floor pipe first, you may also connect it to the wedi Base's sealing gasket first to ensure a visibly tight connection. The trap will then be glued to the floor pipe later when the base is installed to the floor. Apply a skim coat and finally a combed through bed of a thinset using modified thinset ANSI 118.4 and ¼" × ¼" (6.4 × 6.4 mm) notch trowel. There are different ways to ensure good bond of the wedi Base to the subfloor. Required is a setting bed thickness of min. 3/16" (4.8 mm) and max. of 5/16" (7.9 mm) (compressed). Applying thinset on both, wedi Base and subfloor, is a best practice recommended to achieve full surface coverage adhesion. Another best practice is to use fast setting mortar to achieve faster bond and adhesion.



Trowel the thinset on the rear side of the Fundo again using a 1/4" x 1/4" (6.4 x 6.4 mm) notch trowel. Press the Fundo firmly into the thinset bed, ensuring that the installation is level and void free. Do not bend or apply uneven pressure when pressing the part into thinset bed and drain trap. This may break the unit's seals. Ensure wedi drain's sealing gasket is firmly inserted in the wedi trap with no chance that thinset could have pushed into this connection area. This is a tight fit so you should use some water or safe plumbers grease to help. When using plumbers grease, the gasket may retract upward so you need some temporary weight here to keep it fully inserted (thinset bag or tile box). Apply some weight equally and leave on surface and drain area to allow the thinset to initially cure without being disturbed (e.g. thinset bags). Do not step on the drain module to push/connect to drain body or thinset. Ensure there is 100% thinset supporting the drain channel area over a completely flat subfloor.



Set up a continuous 1/2" (12.7 mm) bead of wedi Joint Sealant at the perimeter channel and only in areas where you can immediately install a wedi Building Panel into the fresh sealant. Push the wedi Building Panel all the way into the channel of the shower base channel and its bead of sealant. Smooth out any pushed out sealant on inside seam using a putty knife. Fasten the panels directly to the studs starting 1 ft. (304.8 mm) above the base and start fastening in corners while keeping the board pushed down into the channel, and set the fasteners at a rate of 1 fastener per 1 ft. (304.8 mm). 1 extra fastener is set into the seam to the next panel to create a flush transition. wedi requires wedi Building Panels to be installed in all areas exposed to water and in any case no lower than 6" (152.4 mm) above all water inlet fixtures.



Apply a continuous 1/2" (12.7 mm) bead of sealant between all connections of panels and install with tightly butted seams. Excess sealant must be spread flat with a putty knife. All seams and fastener heads in the assembly are covered with a secondary 1/2" (12.7 mm) bead of sealant and spread flat. The seams should be covered 1" (25.4 mm) on either side of seam. All fastener/washers are covered with sealant stretching 1" (25.4 mm) over the washer edges.



wedi Niches are installed in a cut out in the wedi wall and attached with its flange right into the center of 16" (406.4 mm) o.c. studs. wedi Joint Sealant is set along the connection of wall to niche.



2 Fasteners on each side of the niche are set to create a flush transition to the wall panels. Another 1/2" (12.7 mm) bead of wedi sealant is spread over fasteners and seams.



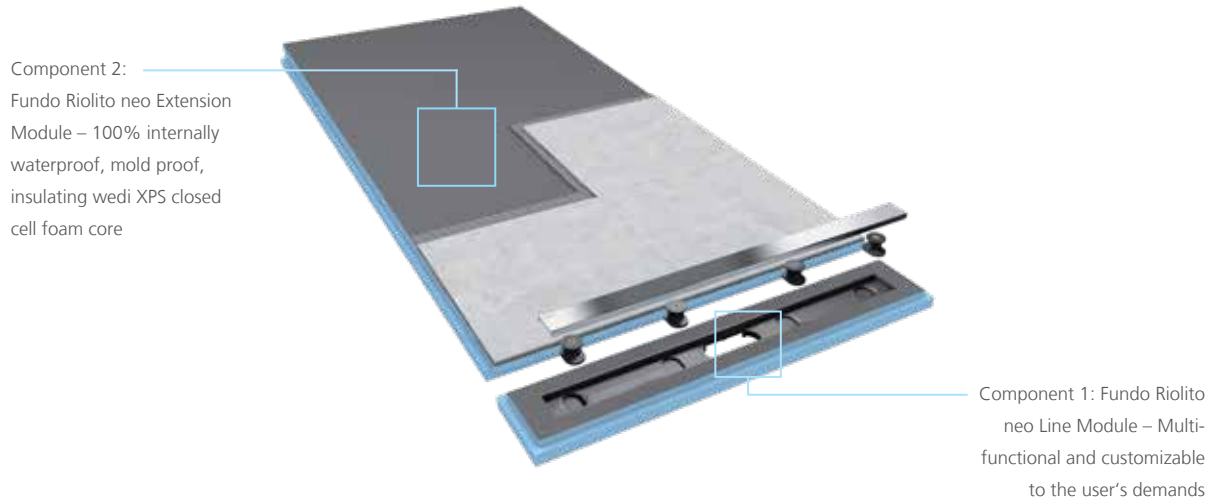
A continuous 1/2" (12.7 mm) bead of sealant is set into the channel and along the vertical curb notch part. A circle of 1/2" (12.7 mm) sealant bead is set against the wall panels and/or the curb sides where the curb attaches. A 1/2" x 1/2" (12.7 x 12.7 mm) bed of thinset mortar is applied to the subfloor and just a skimcoat on the foam bottom part of the curb as a best practice. The tightly cut to fit curb is pressed into the connection. Weight is applied for a minimum of 30 minutes on and against the curb (from outside) and another 1/2" (12.7 mm) bead of sealant is applied over all curb seams and spread flat. The seams must be covered 1" (25.4 mm) either side of a seam.

! Curb connection notches must be cut to fit select Fundo Rioliato neo base with perimeter thickness higher than 1 1/2" (38.1 mm).

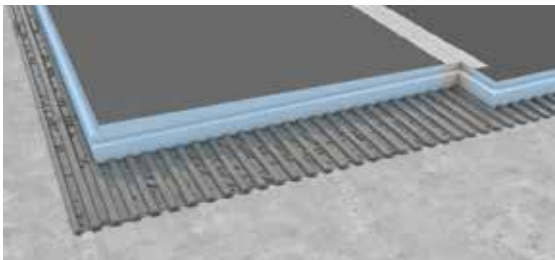
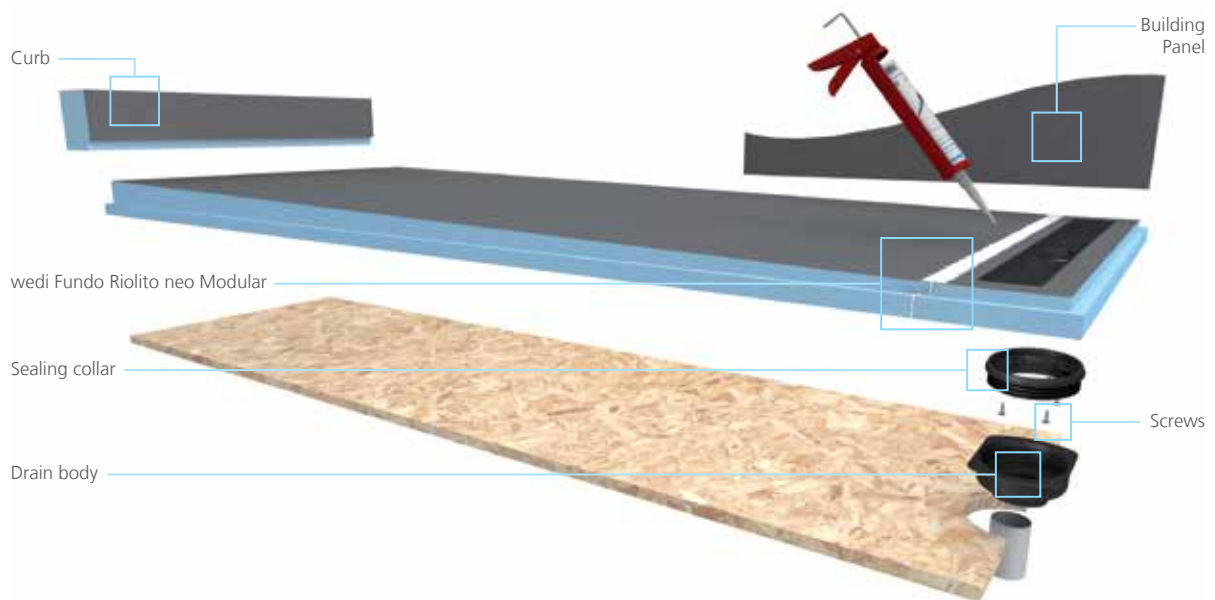
i For the installation to properly work it is critical to waterproof all penetrations of the wedi product such as shower valves and shower heads using the appropriate sealing gaskets for the application. The wedi Mixing Valve Flexi Collar and wedi Flexi Collar (for 1/2" – 3/4" [12.7 – 19 mm] shower pipe protrusions) are used for these applications and are part of the wedi System complete warranty.

See important considerations "After Installation" in wedi Fundo Rioliato neo Modular manual on the following pages.

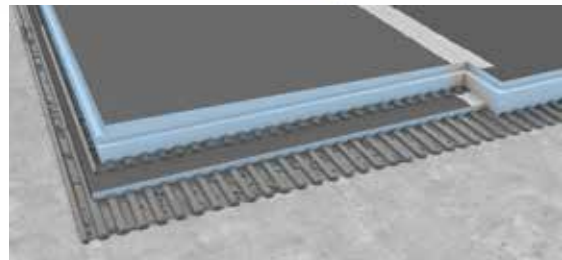
wedi Fundo Riolito neo Modular Linear Drain Shower Floor Solutions



Drain to Base Assembly



The shower base may be extended using a pre-sloped wedi extension panel.



wedi shower bases thicker than 1 1/2 in. where an extension is connected require a wedi building panel be placed under the extension panel to adjust for a proper connection fit.

wedi Fundo Riolito® neo Modular Installation

Before Installation:

- Have extra 2 × 4 blocking installed over bottom plate between studs along to support wedi Building Panel to shower base transition area.
- Subfloor is stable, even and load bearing, and meets deflection criteria of maximum L/360 and requirements as per IRC. Wooden or concrete structural substrates are dry and sufficiently load bearing considering live and dead load. Wood and Steel framing is sufficiently load bearing, plum and square.
- Floor drain assembly below floor is stabilized, fixed and supported in position, and will not sink under water load.
- Only wedi products (Building Panels, Curb, Joint Sealant and Fasteners) are used for wedi Fundo Shower System assembly.
- Installer has received instructions from wedi Technical Sales Staff or is informed about proper installation methods as described.
- Follow applicable state or local plumbing codes requiring specific and dimensioned waterproofed areas for a shower system or other wet room installation. Requirements in this manual supersede local plumbing codes; they extend and are not in conflict. wedi Shower Systems or other wet room installations in which non-wedi product is also used require specific project recommendations by wedi and may reduce the extent and installation area of protection offered by wedi's warranty.
- Ensure that no fasteners are used and penetrate through any horizontal building panel or shower base surfaces in shower or immediate wet rooms. This includes tub decks, pony shower wall tops, curb tops made from building panels, seat tops. wedi panels in such areas are installed in a full surface applied thinset mortar setting bed.



- wedi Shower Bases can be cut to size using a skilsaw. The Z notch channel must be remade and cleaned from sawdust or other possible contamination.
- Seams in the assembly, which are not flat transitions or right angle inside corner connections, are treated with these extra steps:
 - Assembly parts are installed tight and offer a minimum of ½ in. wide continuous contact/ adhesion surface between two parts, inside which wedi joint sealant is continuously applied.
 - wedi joint sealant is applied over these seams topically, and 1 in. wide on both sides of the seam.
 - wedi mesh tape is installed over these seams and covered with joint sealant 1 in. wide on both sides of the seam.

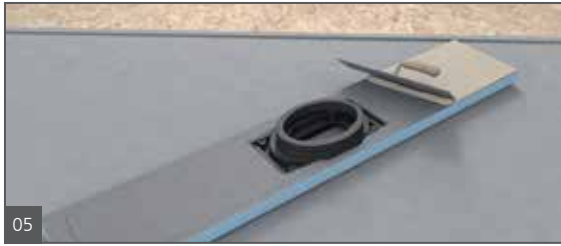


Cut the 2" (50.8 mm) pipe 1 1/4" (31.8 mm) below the top of the Subfloor. Use the oval shape cutting template where you want to position the drain to cut out subfloor using a jigsaw to allow wedi drain trap to be inserted and connected to floor pipe using appropriate ABS compatible or multipurpose cement glue. Please also check cement glue compatibility to floor pipe material. The drain and trap have to be secured to the subfloor. Drain recess cut out must not add deflection to subfloor.

Assemble the drain unit following the instruction drawing. wedi's Fundo Riolito neo bases can be cut to size on all sides making drain positions close to the wall possible. Do not cut into the linear drains plastic flange integrated into the coated foam part of the base. Once cut the 1/2" × 1/2" (12.7 × 12.7 mm) channels at the new base perimeter must be reestablished. When cutting close to the drain channel always leave enough wedi foam for re-making the needed 1/2" × 1/2" (12.7 × 12.7 mm) channel. Never bend or pressure the modular drain unit when handling or installing the gasket. Always work on it with the unit laying on a flat and supporting surface. Glue and seal the wedi drain trap to the 2" (50.8 mm) pipe using appropriate solvent cement glue for the plastics involved. Do not screw drain body/trap to floor. Secure with some dabs of wedi Joint Sealant under flange instead. Mount the oval sealing collar/ gasket to the base's receiving ABS plastic channel on its underside with no gaps showing in between both parts. Use only the wedi screws provided and manually tighten with a Phillips screwdriver. Instead of gluing the drain trap to the floor pipe first, you may also connect it to the wedi Base's sealing gasket first to ensure a visibly tight connection. The trap will then be glued to the floor pipe later when the base is installed to the floor.

Apply a skim coat and finally a combed through bed of a thinset using modified thinset ANSI 118.4 and 1/4" × 1/4" (6.4 × 6.4 mm) notch trowel. There are different ways to ensure good bond of the wedi Base to the subfloor. Required is a setting bed thickness of min. 3/16" (4.8 mm) and max. of 5/16" (7.9 mm) (compressed). Applying thinset on both, wedi Base and subfloor, is a best practice recommended to achieve full surface coverage adhesion. wedi recommends to cut and dry fit both floor modules to shower stall size and drain location. Another best practice is to use fast setting mortar to achieve faster bond and adhesion.

i For the installation to properly work it is critical to waterproof all penetrations of the wedi product such as shower valves and shower heads using the appropriate sealing gaskets for the application. The wedi Mixing Valve Flexi Collar and wedi Flexi Collar (for 1/2" – 3/4" [12.7–19 mm] shower pipe protrusions) are used for these applications and are part of the wedi System complete warranty.



05 Trowel the thinset on the rear side of the Fundo Riolito neo Module "Drain" again using a 1/4" x 1/4" (6.4 x 6.4 mm) notch trowel.

Press the Fundo Riolito neo Module "Line Drain" into the thinset so that the sealing gasket moves smoothly into the drain body without contamination through thinset. Do not bend or apply uneven pressure when pressing the part into thinset bed and drain trap. This is a tight fit so you should use some water or safe plumbers grease to help. When using plumbers grease, the gasket may retract upward so you need some temporary weight here to keep it fully inserted (thinset bag or tile box). Carefully apply weight equally and leave on surface and drain area to allow the thinset to initially cure



06 without being disturbed (e.g. thinset bags). Ensure there is 100% thinset supporting the drain channel area over a completely flat subfloor. This may break the units seals. Make sure the entire wedi cement coated underside of the drain module will have thinset support/coverage. Do not step on the drain module to push/connect to drain body or thinset. Apply a 1/2" (12.7 mm) bead of wedi Joint Sealant to the module's Z notch channel and insert the second module, the "Extension". The module "Extension", once cut to length, is also installed using thinset mortar and using the same technique as shown under 4. Apply a 1/2" (12.7 mm) bead of wedi Joint Sealant over the seam between both modules and spread flat using a putty knife.



07 08 Set up a continuous 1/2" (12.7 mm) bead of wedi Joint Sealant at the perimeter channel and only in areas where you can immediately install a wedi Building Panel into the fresh sealant. Push the wedi Building Panel all the way into the channel of the shower base channel and its bead of sealant. Smooth out any pushed out sealant on inside seam using a putty knife. Fasten the panels directly to the studs starting 1 ft. (304.8 mm) above the base and at a rate of 1 fastener per 1 ft. (304.8 mm). 1 extra fastener is set into the seam to the next panel to create a flush transition. wedi requires wedi Building Panels to be installed in all areas exposed to water and in any case no lower than 6" (152.4 mm) above all water inlet fixtures.



09 Apply continuous 1/2" (12.7 mm) bead of sealant between all connections of panels and install with tightly butted seams. Excess sealant must be spread flat with a putty knife. All seams and fastener heads in the assembly are covered with a secondary 1/2" (12.7 mm) bead of sealant and spread flat. The seams should be covered 1" (25.4 mm) on either side of seam. All fastener/washers are covered with sealant stretching 1" (25.4 mm) over the washer edges.



10 wedi Niches are installed in a cut out in the wedi wall and attached with its flange right into the center of 16 o.c. (406.4 mm) studs. wedi Joint Sealant is set along the connection of wall to niche.



11 2 Fasteners on each side of the niche are set to create a flush transition to the wall panels. Another 1/2" (12.7 mm) bead of wedi sealant is spread over fasteners and seams.



12 A continuous 1/2" (12.7 mm) bead of sealant is set into the channel and along the vertical curb notch part. A circle of 1/2" (12.7 mm) sealant bead is set against the wall panels and/or the curb sides where the curb attaches. A 1/2" x 1/2" (12.7 x 12.7 mm) bed of thinset mortar is applied to the subfloor. The tightly cut to fit curb is pressed into the connection. Apply weight for at least 30 minutes on and against the curb (from the outside) and another 1/2" (12.7 mm) bead of sealant is applied over all curb seams and spread flat. The seams must be covered 1" (25.4 mm) either side of a seam.

! Curb connection notches must be cut to tightly fit select Fundo Riolito neo bases.

After Installation

All visible joints or seams in the installation are fully covered and reinforced with wedi Joint Sealant applied flat over the seams. Coverage of wedi Joint Sealant over all seams should be at least 1" (25.4 mm) on either side of the seam. The wedi Joint Sealant should be no less than 1/16" (1.6 mm) thick for strength. Do not add mesh tape into the wedi Joint Sealant. This may only put the waterproofing performance at risk and will not strengthen the sealant's or system's resistance against movement related stresses. Once wedi Joint Sealant application over all shower system seams has been completed, an optional water flood test may be performed as early as 2 hours later. The test should not exceed 24 hours and nor should the water level exceed the height of the perimeter seams so that the fresh sealant may continue to a full cure without too much weight added during that process. wedi recommends to test at least the drain connection for its proper seal while a full surface flood test is not technically required for non-absorbing products like wedi but may be required by a building inspection department. When tiling commences, no premixed and organic ("mastic") tile adhesives must be used over wedi Systems in any wet area installation. When tiling the wedi Shower Bases incl. extensions or ramps, tile thickness should generally not be less than 1/8" (3.2 mm). Choose setting materials appropriate for the type of stone, ceramic or glass tile as well as for a wet area installation. Tile with a square size of 2 x 2" (50.8 x 50.8 mm) or more may be installed using a polymer modified cement based tile adhesive and grout. Tile with a square size of less than 2 x 2" (50.8 x 50.8 mm) may be installed using a polymer modified cement based tile adhesive and require 100% solids epoxy grout. Tile with a square size of 1 x 1" (25.4 x 25.4 mm) or less must be installed using a 100% solids epoxy tile adhesive and grout. Only non-flat bottom pebble stone installations including in part small mosaics may be installed using polymer modified cement based tile adhesive and grout, all flat bottom pebble stone installation are subject to the general tile size based setting materials recommendation outlined above. When installing non-square tile, the length of the shortest tile edge(s) is considered as its square size for the purpose of determining the choice of the setting materials as outlined above. All tile installations designed to receive heavier point loads such as from wheelchair use, must be grouted using 100% solids epoxy grout. Large format tile may be installed over wedi Fundo shower bases. Cuts may have to be made in consideration of the base's slope lines and so that such tile can always be fully supported by the tile adhesive setting bed and the surface of the wedi Base. Tile adhesive coverage under the tile must be 95% and special care must be taken to achieve good transfer of adhesive to wedi's shower base when working with mesh backed tile. Use only solvent and acid free cleaners and sealers on tile and grout installed over wedi product and apply such products only in amounts as needed to treat the surface materials without drenching the substrate. Follow setting materials manufacturers recommendations and contact wedi with any questions or regarding applications not covered here.

Installation instructions wedi Fundo Riolito neo/Riolito neo Modular Drain Cover

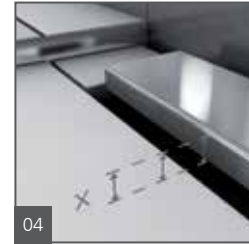
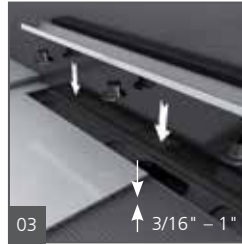
01 Drain Cover Fundo Riolito neo standard: High Grade Polished Stainless Steel Standard Version

02 Drain Cover Fundo Riolito neo exclusive: High Grade Double Plated Stainless Steel Version

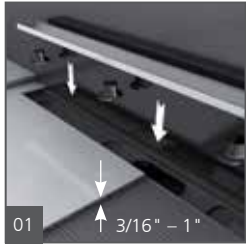
03 Drain Cover Fundo Riolito neo tileable: Can be tiled with epoxy glue/adhesive or wedi Joint Sealant. Can be used for 1/4" (6.4 mm) and 1/2" (12.7 mm) tile/stone (reverse cover). Drain cover can be adjusted from +3/16" to +1" from Riolito neo base surface (depth for tiling 11 mm). The cover supports may be extended out to needed height using the allen key included in box. The supports may also be cut shorter along prefabricated cutting lines before assembly with allen key.



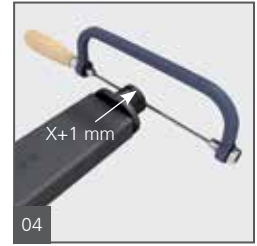
Linear channel cover standard and exclusive



Linear channel cover tileable

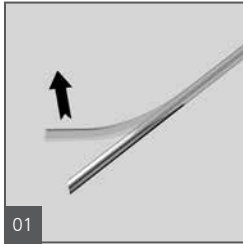


x = compressed thinset plus
tile thickness + 1 mm.

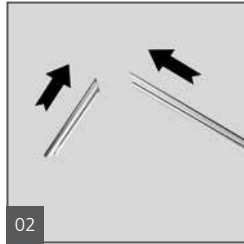


11

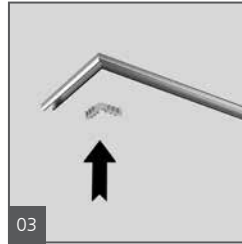
wedi Fundo Riolito neo Channel Frame



01 Remove the protective film.

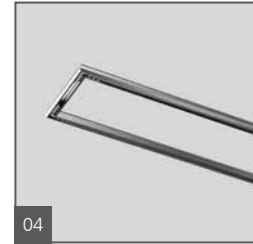


02



03

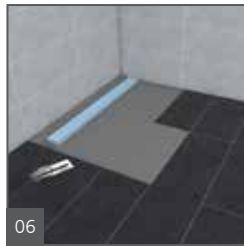
03 Connect the corners if not already assembled.



04



05



06

06 Use the foam block (provided) as a spacer for thinset mortar.



07



08

08 Apply thinset mortar to support the profile at desired height.



09

09 Install profile which is now resting on the thinset mortar.



10

10 Fill in grout.



11



12

12 Remove the foam block spacer.



13

13 Clean off any excess grout.



14

14 Insert the your wedi drain cover.

i Benefits of the wedi Fundo Riolito neo Channel frame include:

- Protects your tile and grout edges
- Adds a design finish to the tile edge
- Will not stop drainage
- Made of stainless steel.

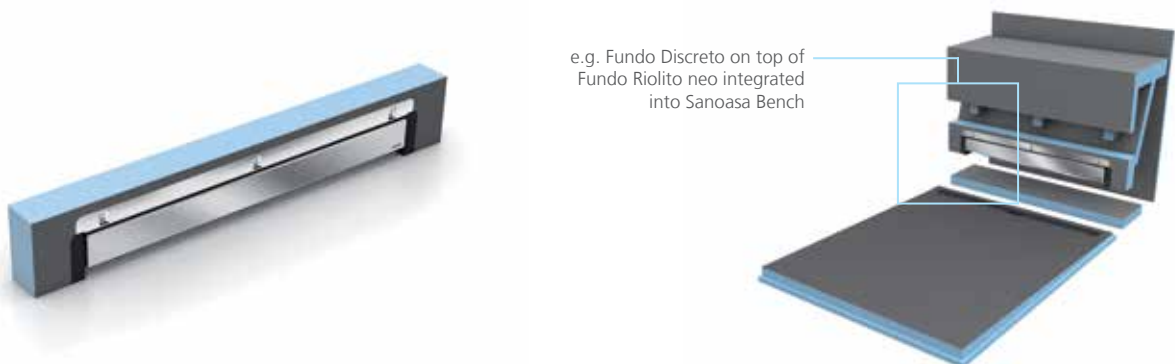


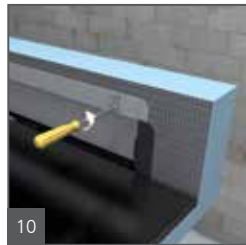
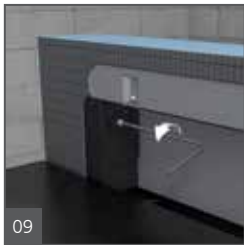
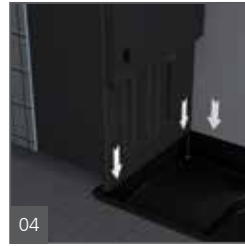




wedi Fundo Discreto®

The wedi Fundo Discreto, the world's first vertical drain cover system panel that can be built into double walls or wedi made seats, steps, shelving or foot rests and can be installed over fitting wedi Fundo Riolito neo channel drain systems. The brand-new wedi Fundo Discreto has a 100% waterproof core, integrated design and reversible cover (finished in brushed stainless steel, or it can be reversed and tiled over) and offer the ability to clean with ease, making it the ultimate shower wall drain solution.

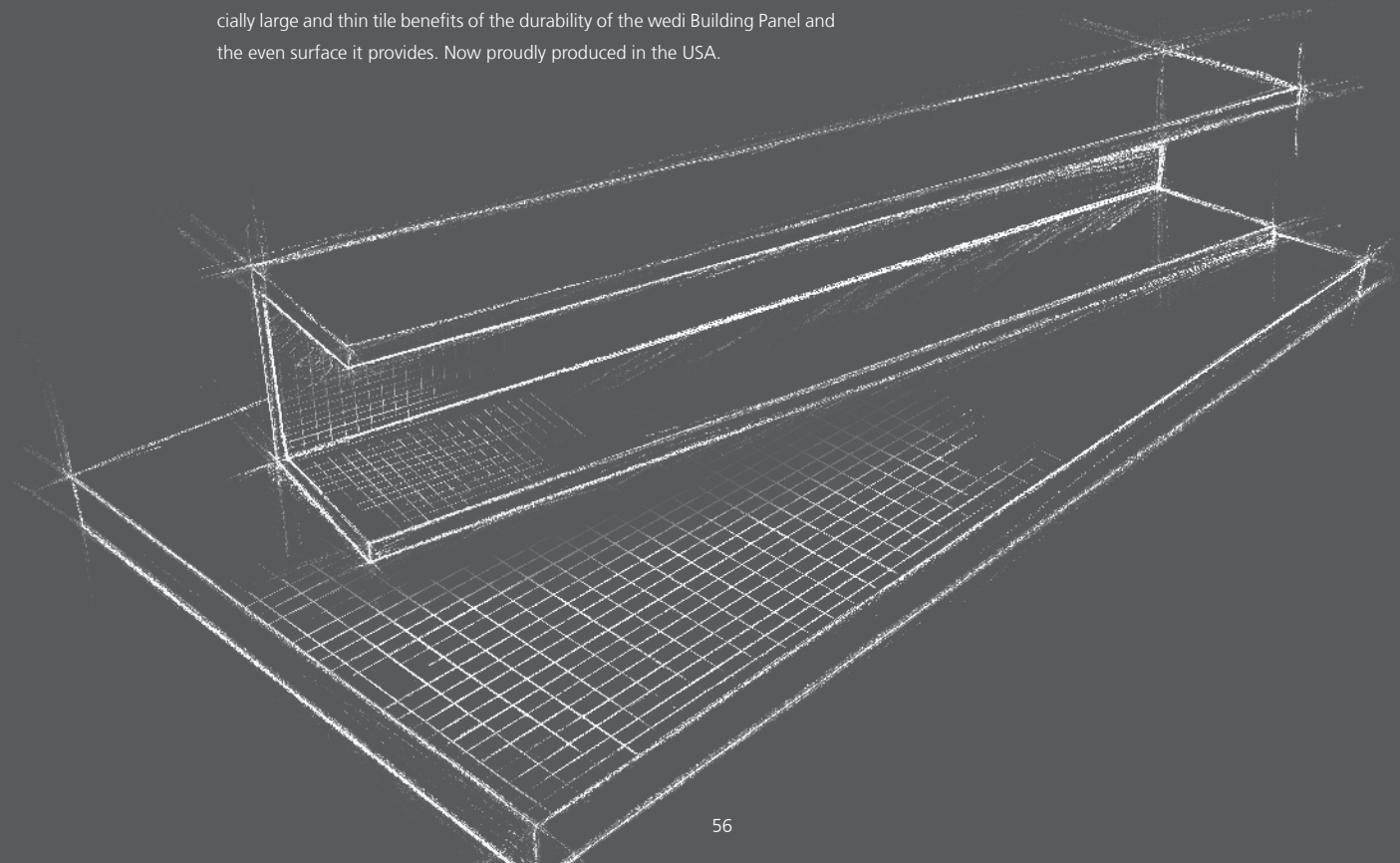




05

Building Panel systems

The wedi Building Panel combines the benefits of the latest manufacturing technology and material quality with sound and traditional benefits our trades enjoy. wedi Building Panels are waterproof, lightweight, easy and clean to cut and still incredibly strong and bond friendly for use with any type of thinset mortar application. The wedi Building Panel can be tiled with all types of ceramic, glass or stone tile whether they are mosaic or large format tiles. Especially large and thin tile benefits of the durability of the wedi Building Panel and the even surface it provides. Now proudly produced in the USA.





wedi Building Panel – Shower Walls/Wet Areas and Floors

wedi Building Panels can be applied to shower walls and wet areas perpendicular or parallel to the framing, saving time and reducing joint frequency. The panels are fastened quickly and easily in place using wedi fasteners. Once the panels are secured and seams and fasteners are sealed with wedi Joint Sealant, tiling can begin immediately. All in a fraction of the time previously required by traditional methods. The wedi Building Panel combines tile backer board and waterproofing in one product and installation step. This saves time and cost. Its solid waterproof core eliminates concerns typically associated with alternative waterproofing products such as pinholes or delamination. The entire shower structure is protected by wedi's warranty: from top to bottom! The wedi Building Panel is successfully tested under ANSI 118.10 test standard for load bearing, bonded, waterproof membranes as well as ASTM C578 the standard for cementitious coated foam backer board.



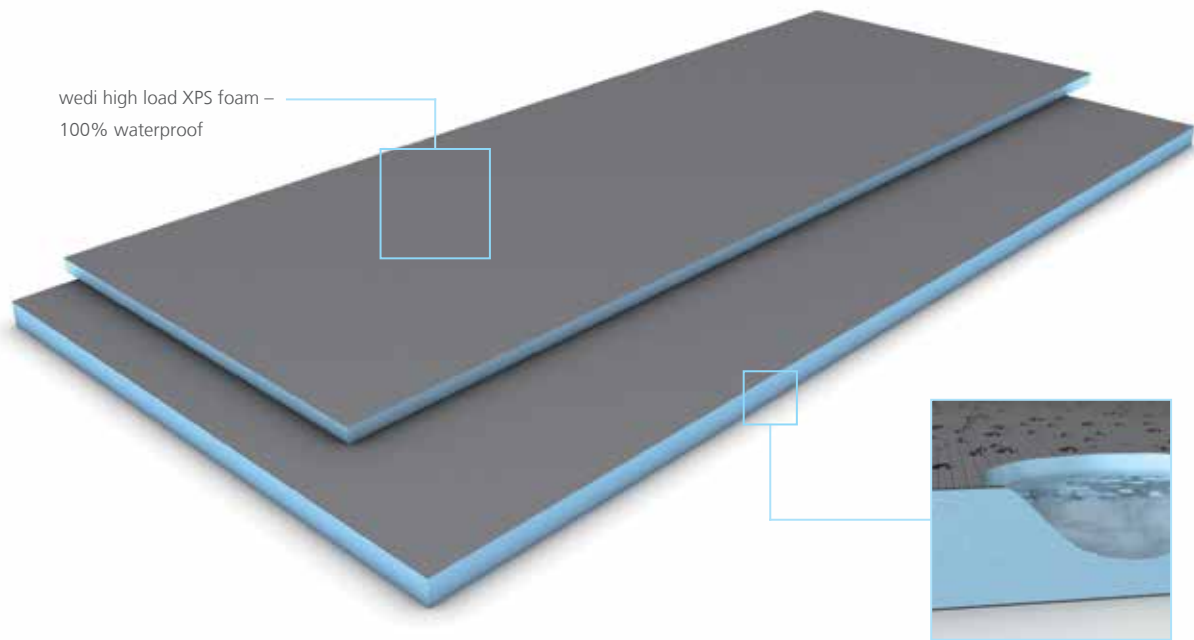
wedi Vapor 85

For steam rooms with heaviest water and vapor exposure, the wedi Vapor 85 line is both a clean and fast to install building panel type construction system. It also provides integrated water and vapor proofing throughout the entire assembly system.



wedi PreLine

The wedi building panel PreLine is a fully prepared building panel element for easy installation of hot water heating systems. Factory integrated recesses allow for quick and safe installation of water pipes whilst strong insulation properties of the material itself prevent heat escaping to the ground thus promote a balanced heat distribution across the entire space. Adhesion of the wedi PreLine elements to the screed floor and backfilling of the pipe ducts is done very simply with the appropriate tile adhesive (recommendation: modified thinset mortar). It truly is the perfect element for quick and waterproof implementation of underfloor heating systems.



Building Panel Applications - The Ultimate Tile Backer Board

wedi Building Panels have a blue core made from extruded polystyrene rigid foam. The foam core is formed by a closed cell matrix, making the wedi Building Panel strong and internally waterproof. The foam core also retards water vapor but cannot form a vapor barrier suitable in tiled steam rooms. The foam core provides insulation value.

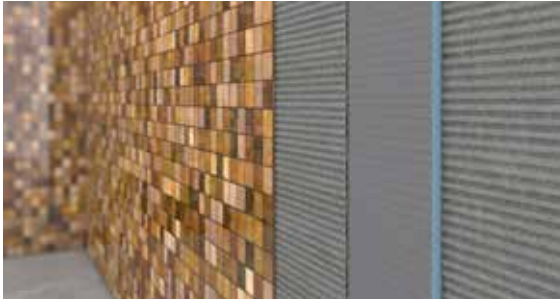
The Building Panel core is reinforced on both sides with a strong mesh, fully embedded in a polymer modified cementitious resin coating. The mesh provides uniform and directional strength to the wedi Building Panel to ensure safe tile backing. The cementitious resin not only firmly controls and bonds the mesh, but it also transfers fully through to the foam core for safe and lasting adhesion. The resin coating provides exceptional bond capability to common tile adhesives, while it limits water spread, which is important for functioning waterproofing of seams in the installation assembly. The wedi Building Panel is a high performance tile backer board that works on its own, and within a shower system. It provides waterproofing and moldproofing, and exceptionally strong tile backing. It is lightweight, clean and fast to install. Its premium raw materials as well as its perfected design and consistent, fully automated manufacturing process are a result of more than 37 years experience as the world's market leading producer in waterproof foam tile backer boards.

wedi Building Panel (incl. wedi Vapor 85) General Requirements

- 1/2" (12.7 mm), 5/8" (15.9 mm) or 1" (25.4 mm) Building Panels are the recommended minimum thicknesses for installation to framing
- Wood Framing: 2 × 4's (framing depth 3 1/2" [89 mm]), Maximum stud spacing 16" (406.4 mm) o.c.
- Metal framing requirement 20 gauge or heavier studs with maximum 16" (406.4 mm) o.c. spacing
- Maximum allowed deflection L/360 based on gauge, stud material, design and connection points of framing, and consideration of total load.
- wedi 1" (25.4 mm) Building Panel or thicker can be used over 19.1" (485 mm) o.c. spaced wall framing
- 2" (50.8 mm) wedi alkali resistant fiberglass mesh tape to be applied over all seams in dry areas. wedi waterproof Joint Sealant or wedi Sealing Tape to be applied over all seams and fastener locations/heads if a waterproof installation is required
- Attach wedi Building Panels with one fastener per every 12" (304.8 mm) and in between adjacent panels (seams) over wall framing
- On ceilings, use one fastener per every 6" (152.4 mm) and in between adjacent panels (seams)
- wedi Waterproof Joint Sealant or wedi Sealing Tape to be applied over all seams and fastener heads if a waterproof installation is required
- wedi Joint Sealant or wedi Subliner Sealing Collars are used where plumbing or other equipment protrusions through walls must be sealed
- The Building Panel should be notched out at the bottom to install safely and plumb against the flange of the tub. A bead of wedi Joint Sealant is applied against the flange of a tub. Use wedi Tub sealing tape with its butyl sealing strip to create such connections with non-nailing flange tubs or trays.
- wedi Product Systems are only used for interior installations.
- wedi Building Panel is not a sound deadening product. While it may reduce airborne sound, it is not IIC or STC rated and should not be used to actively reduce or remove sound transmission.
- Do not use as a wear surface or without tile/stone or other suitable coverings.
- wedi products are tested and classified with an A rating for fire behavior safety but are not a fire resisting barrier. An alternative backing providing actual fire resistance must be installed (e.g. 90 minute fire rated drywall)
- Do not use organic mastic adhesives for setting tile on wedi Systems in wet areas.
- Adhesive coverage under tile or other suitable surface finishes in wet area installations must be a minimum of 95%.
- In steam showers or steam rooms use only setting materials specifically recommended by the manufacturer for this application, and submerged and hot temperature areas. Setting materials recommended by wedi are commonly solid epoxies (meet or exceed ANSI 118.3) or high performance modified mortars (meet or exceed ANSI 118.15). Test the adhesion over vapor barriers.
- Use only thinset mortar setting materials suitable for installation and adhesion to the specific substrate types.
- Ensure tile and setting materials incl. grout are suitable for the application (e.g. submerged applications or steam rooms)
- Certain substrates must be primed prior to thinset mortar attachment.
- Do not use where substrate is subject to excessive moisture and moisture content changes.
- A wedi installation does not replace the need for Expansion and/or Movement joint placement within a tile installation. Please follow recommendations found in the TCNA guidelines (Detail EJ171).
- All installations shall be in conformance with IRC for residential installations and IBC for commercial installations or applicable building codes in a region including the consideration of properly designed substrates. All installations including the consideration of properly designed substrates should be in compliance with current TCNA Handbook for Ceramic, Glass and Stone Tile Installation, use details specific to "Cementitious Coated Extruded Foam Backer Board". wedi's technical recommendations supersede all requirements of IRC, IBC, IPC or TCNA where in conflict and exceeding minimum requirements established by the above mentioned institutions.
- Contact wedi for installation of tile or stone smaller than 2 × 2" (50.8 × 50.8 mm) and larger than 12 × 12" (304.8 × 304.8 mm) over wedi product, and where wedi Building Panel is used in commercial use areas, to learn more about the best practices and requirements applied in such applications. Follow tile manufacturers' recommendations for appropriate tile choice, setting materials and installation techniques.
- When building free standing, non framework attached walls using wedi 2" (50.8 mm) building panel, the maximum wall length may extend to 4 ft. (1,220 mm) without the need to firmly attach the wall to the ceiling (attachment to floor and wall only). It is helpful to double up walls for larger adhesion and support surfaces to floor and wall, and to Z-notch connect these walls to channels of wedi Shower Bases. Such structures will produce blue foam edges which should be covered with wedi 1/8" (3.2 mm) or thicker panels to provide best adhesion surfaces for tiling. Such panel strips can be installed with wedi Joint Sealant.
- Maximum weight of surface coverings and setting materials applied to wedi Building Panel on walls are 23 lbs/sqft. (112 kg/ m²) and 18 lbs/sft (88 kg/ m²) on ceilings.
- All wall substrates are to be prepared prior to installation to guarantee plumb, even, level and squared (corner) areas to install wedi product. On ceilings, the substrates must be even, level and squared with the wall.

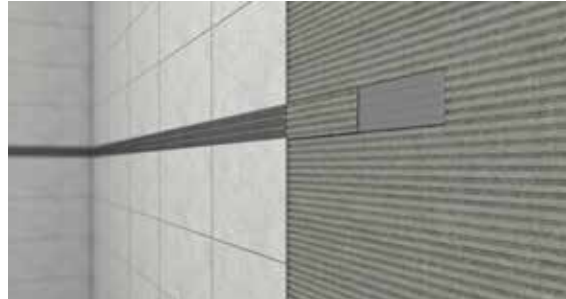


Possible Wall Surface Coverings over wedi Building Panels



Ceramic, Stone and Glass Coverings

Ceramic coverings offer various possibilities for wall and floor design. Depending on the intended use and personal taste, there is a wide variety of tile in different shapes, colors and materials. Here, the wedi Building Panel is the perfect carrier element for ceramic coverings as the tile can be installed directly to the board surface without any additional steps needed. There are no limitations concerning setting adhesives or grouts. All types of ceramic, porcelain, stone or glass can be used with wedi Building Panels. The surface is even and consistent, which works perfectly for mosaic as well as large format or thin body tile.



Mosaic accent strips

wedi's 1/8" (3.2 mm) Building Panel can be used to perfectly install mosaic accent strips into a large format wall tile assembly. This helps avoiding excessive mortar build-up and leveling when trying to evenly align the field tile with the much thinner mosaic tile strip. The strips of wedi Building Panel could even be pre-tiled in the shop and simply adhered into the wall assembly on site, using thinset mortar applied to the back of the strip only.

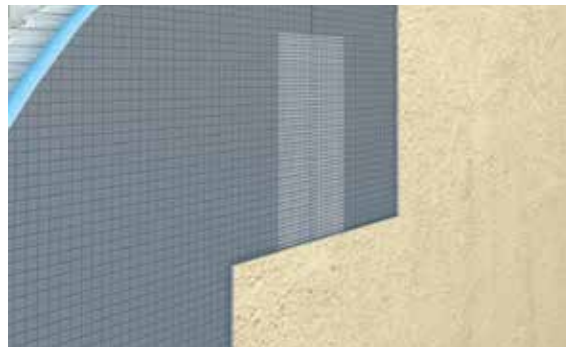


Plasters and fillers

Today, plasters and stucco are not only used for the creation of a plane surface for tiling, painting or wallpapering, but they also represent a visual design element. This is another instance where the wedi Building Panel is the perfect substructure.

Important information:

Contact your wedi Technical Support Sales Manager for advice on areas with shock loads. Plasters containing gypsum require priming of the wedi Building Panel.



Wall paints

The unique wedi Building Panel is also suitable for paint application. However, a sufficient layer of plaster or stucco must be applied to cover-up the mesh grid structure providing a smooth surface on the wedi Building Panel, upon which paint can be applied. Whether in living areas or in the bedroom – the design options are abundant and the room will always be pleasantly insulated. Before applying gypsum/plaster based joint compounds over seams or corner beads, the wedi Building Panel must be primed to allow gypsum based material to safely adhere.

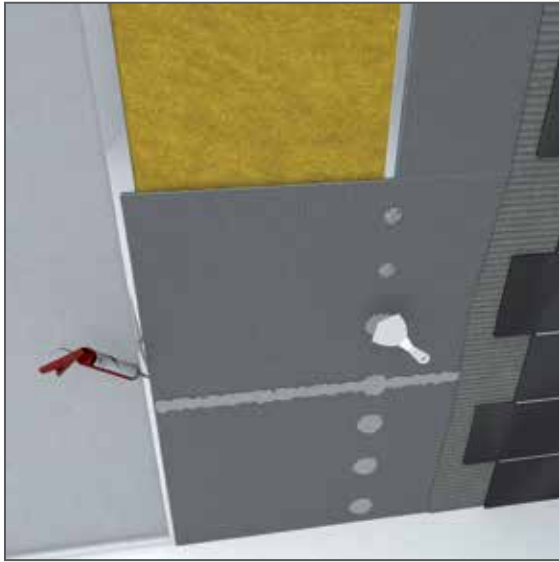
i Contact wedi for best practice installation methods or substrate requirements when using specialty surface coverings.



wedi Building Panels over Framed Walls

Whether in wet or dry areas, wedi Building Panels install perfectly well over wood or metal framed wall construction. The wedi Building Panels combine lightweight properties with a flexible strength and the right and proportionate stiffness of a real tile backer board. When tile is installed, the wedi Building Panel does not push in easily. After the installation, it will not succumb under any ordinary tile or stone weight. This is a fact which not only considers the building panel, but also our fastening and joint treatment methodology. As a system, wedi Building Panel installations over framed walls are unique in their ability to resist shear and tensile forces when benchmarked to any other directly competitive product or copy. In keeping true to wedi quality level requirements, wedi Building Panels meet and exceed all relevant industry standards including the demanding shear bond strength requirements under ANSI 118.10 Section 5. With wedi, you not only use a high performance backer board but a solution based product. Even wedi's fastening hardware including heavy gauge washers and ceramic coated screws contribute to a system approach with no weak links.

wedi Building Panels over Framed Walls Installation



01

Using only a utility knife, wedi Building Panels are effortlessly cut and shaped.



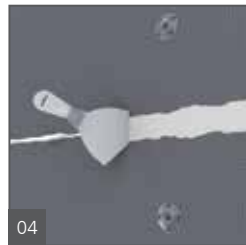
02

A continuous 1/2" (12.7 mm) bead of wedi Joint Sealant is applied on the foam edges of a wedi Building Panel before another panel is joined by butting tightly.



03

Apply 1 wedi fastener per every 12" (304.8 mm), with an extra fastener applied directly in the seam to provide a flush transition between panels. On a ceiling, apply 1 wedi fastener per every 6" (152.4 mm). The washer heads are dimpled below the surface of the wedi Building Panel so a flat surface is maintained.



04

All excess wedi sealant is spread flat over all joints using a putty knife. Where needed, an extra bead of sealant is applied on top of the joints and spread flat. The joints should be covered a full 1" (25.4 mm) on both sides of the seam. Especially wedi Joint Sealant provides little build-up making for square and tight corner areas perfect for tiling. All fastener locations are waterproofed using wedi Joint Sealant spread flat and widely over each washer.



05

Alternatively, wedi sealing tape can be used instead of the wedi Joint Sealant and applied in modified thinset. The sealing tape provides adequate splash water protection but should not be used in areas with constant wetness/ water exposure, because thinset mortar might allow pressing water to migrate underneath the sealing tape through the thinset mortar. If you use wedi Building Panels with wedi Shower Bases, wedi Joint Sealant must be used in-between seams and on top of seams. No sealing tape is required in these applications. Please consider: sealing tape is installed in cement based thinset and can allow pressing water to migrate under the tape. The thinset holding the tape can also not provide protection against movement. Both challenges are addressed more efficiently by using wedi Joint Sealant. In dry areas, the seams can be treated with an alkali resistant fiberglass mesh tape by wedi.

Where wedi Building Panel transitions to drywall panels, wedi reinforcing tape, or sealing tape or wedi Joint Sealant may be used. The drywall surface should be primed. Conversely, if mesh and gypsum plaster is used over such seams in dry areas, the wedi Building Panel surface must be primed.

wedi Building Panels over Suspended Ceilings

The lightweight, yet extremely strong performance of the wedi Building Panel, as well as its perfectly flat surface and installation, makes it a superior backing substrate for tiles over solid or suspended, framed ceilings. Especially valuable if used in areas subject to rising water vapor such as in pool areas. When working over head, not only the lightweight handling is of great benefit. Not being permanently covered in falling dust is another nice benefit.



wedi Building Panels over Suspended Ceilings Installations

Besides wall and floor applications, the versatile wedi Building Panel can also be used for leveling and suspension of ceilings. Suspension height can be individually set during installation. For areas that require a fire barrier, additional backing material may need to be considered.

wedi installation requirements:

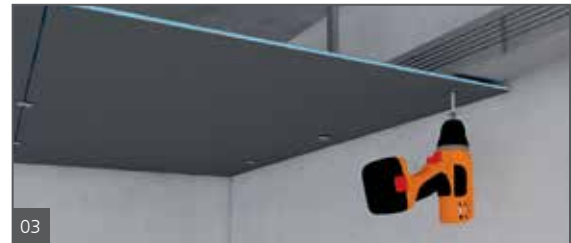
- Framing must be sufficiently load bearing and not exceed deflection of $L/360$ in consideration of gauge, entire design of framing, material choice and total load
- stud spacing not to exceed 16" (406.4 mm) o.c.
- On metal studs we recommend to use wedi Joint Sealant to adhere the panels next to using wedi screws and tab washers. wedi's ceramic coated screws are used for wood studs and 20 ga. metal framing. For heavier ga. framing from 18 ga. and less, wedi self-tapping screws and tab washers are used



Install the ceiling suspension systems to the existing ceiling by using dowels and set the desired suspension height.



Install the corresponding profiles onto the already installed support.



Screw wedi Building Panels to framework using wedi's ceramic coated coarse thread screws and galvanized tab washers. Self tapping screws will be need when installing to metal framing 18 ga. or heavier. The fastener pattern is 1 fastener per every 6" (152.4 mm). Make sure to always use washers/fasteners in panel seams to ensure smooth transitions.



When installing wedi Building Panels to metal stud ceiling framework, use wedi Joint Sealant in addition to wedi screws and Washers. Seal all joints and fastener points using wedi Joint Sealant. In dry areas, use wedi Self Adhesive Mesh Tape.



wedi Building Panels over Tub and Tray walls and decks

wedi Building Panels are the natural choice for use with tub or tray walls and tub enclosures. The panels can be installed directly to framing or over gypsum board, cement board, or directly to solid wood or concrete structures to create a waterproof underlayment for tile. They can be easily scored and shaped to provide radius surfaces on tub skirts and do not scratch tubs or fixtures during installation. Additionally, the dimensions of the wedi Building Panels make for quick installations with standard tubs – laid horizontally the panel will span the full five foot width. Cut out a notch at the bottom edge of a wedi Building Panel and safely connect to a tub flange with just a bead of wedi Joint Sealant in between to safely waterproof this critical connection and create plumb walls, square wall corner areas as well as a full backing for the tile all the way down to the tub's horizontal perimeter area. Due to its waterproof nature, it's easy to see why you'd use wedi Building Panels in wet areas. The panels do not wick water from the tub perimeter along which water will traverse. wedi Building Panels can be applied directly to studs or over other suitable non-waterproof surfaces to create a waterproof underlayment for tile and can also be used on tub decks and backsplashes or to quickly place complete tub wall surrounds safely. When installing a tub surround wall for a tub or shower tray with only partial or no nailing flange, wedi's tub sealing tape can be used. It features a waterproofing butyl adhesion strip which can safely connect tub edge and framing before a wedi Building Panel is placed before it. The Tub sealing tape also helps with creating safe, waterproof transitions from tubs to horizontal areas adjacent to such tubs.

wedi Building Panels over Tub Wall Surround Application



01 Measure and cut awedi Building Panels to fit the 16" (406.4 mm) o.c. framework (wood or metal). Notch out all panels if installed around the perimeter of a flange tub to integrate the flange and achieve a plumb wall with square and tight corners.



02 Attach a notched panel to the framework with a 1/2" (12.7 mm) bead of wedi Joint Sealant between the notch and flange. Attach the panel to the framework using wedi Washers and Screws at a rate of 1 every 12" (304.8 mm) along the studs. Leave a gap of 1/8" (30.2 mm) between tub edge and wedi Panel bottom end to allow for movement of the tub. Alternatively apply a bead of wedi Joint Sealant in between both materials.



03 Apply a continuous 1/2" (12.7 mm) bead of wedi Joint Sealant on the top blue foam edge of the wedi Building Panel before installing the next panel, butting tightly into the sealant. Set another wedi Washer and Screw into the seam to create a flush transition between panels and smooth over excess sealant. When installing a wedi side panel against the already fixed wedi back wall, apply a continuous 1/2" (12.7 mm) bead of wedi Joint Sealant vertically on the back wall wedi Panel where both panels will meet. Apply compression to the wedi Joint Sealant when moving the wedi side panel into position before fastening it.

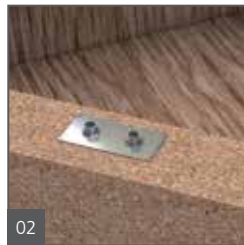
Finally and after all wedi Building Panels are installed a second 1/2" (12.7 mm) bead of wedi Joint Sealant is applied over all seams and fastener points and spread flat using a putty knife.

For shower tub/ tray projects where no flange is present to safely connect and seal to a wall panel- please use wedi's tub sealing tape on page 66 and 67.

wedi Building Panels over Tub Deck Application and other paneling over horizontal surfaces such as knee wall tops or bench tops in showers



01 The tub frame structure must be properly supported and load bearing.



02 Where fixtures are integrated into the tub deck structure, they should be equipped with a stainless steel plate fixing their position.



03 The wedi Building Panel is installed over the structure using modified thinset mortar. wedi Fasteners are additionally applied on vertical areas (1 per sq. ft.), no fasteners are used in horizontal areas. All seams, protrusions or fastener points must be waterproofed using wedi Joint Sealant.



04 The tub deck can be tiled over immediately once the wedi board is installed, seams and possible fasteners and cut outs sealed and the thinset mortar has set up.

i Tub frame structures can also be built completely of Building Panels.

i All wedi panels install over suitable horizontal backing surfaces, including knee wall tops, bench tops, curb tops must be installed in full thinset mortar support and without any fasteners. Transitional seams to vertical wedi building panels must be safely sealed in between tightly installed panel seams, as well as safely sealed over the seams. These seams are outside corners and hard to seal over applying a minimum thickness of wedi Joint Sealant consistently. Following a primary surface seal of wedi Joint Sealant, a wedi Mesh Tape is embedded and sealed over again. The mesh acts as a gauge to apply a consistent amount of sealant.

wedi Tub Sealing Tape with waterproof Butyl connection strip for waterproof connections between tubs/trays without nailing flange and wall assemblies



01 Ensure the installation site is clean, and all structures are even, plumb, square and load bearing. Install 2 x 4 blocks between studs on all sides where tub or tray meet framing. The bottom edge of the 2 x 4 block is at the height of the top edge of the tub or tray.



02 Dry fit the length of the wedi tape needed to cover all three sides of the tub or tray. Then remove the protective cover from the butyl strip in several steps as you work your way around the tub. Press the butyl firmly to a clean and grease free, vertical top area of the side of the tub or tray.



03 Cut off any tape exceeding the three sided perimeter of the tub or tray.



04 Apply two continuous 1/2" (12.7 mm) beads of wedi Joint Sealant low and centered along the 2 x 4 blocking. Apply on all three framed sides. Note, the working time of the sealant is appr. 10 minutes, depending on the site's climate.



05 Move tub or tray into its final position and push tight against the framing.



06 Ensure the tape is now pressed into the beads of wedi Joint Sealant and pressed flat over the 2 x 4 blocks. A putty knife will help you with this step.



07 When ready for the wedi Building Panel installation on the walls, apply a 1/2" (12.7 mm) bead of wedi Joint Sealant along the tubs outer edge where the first wedi Building Panel will connect to the tub or tray.



08 Install the wedi Building Panel as explained in wedi installation guidelines for wet area walls.



09 With all panels installed, seams and fasteners sealed, the installation is complete fast. Please note, the Tub Sealing Tape is a secondary line of waterproofing. This may become important with tubs or trays which have no nailing flange and may flex and move a lot, not only due to extreme temperature changes. The tape will be there should your wall waterproofing ever be compromised due to such extreme tear and wear due to flexing or movement of a tub or tray.

i When installing wedi building panels or conventional wall backers to a tub, there may not be a tub flange to safely connect and seal to. For these cases, wedi developed a special sealing tape to add protection in an application where movement of the tub may, over time, breach a butt joint between a backer board and the tub itself. If that happened, the wedi tub sealing tape is still there to form a second line of defense to keep the water safely away from reaching the framing.

wedi Tub Sealing Tape with waterproof Butyl connection strip for waterproof connections between tubs/trays with partial nailing flange and wall assemblies



01 Ensure the installation site is clean, and all structures are even, plumb, square and load bearing. Install 2 x 4 blocks between stud studs on all sides where tub or tray meet framing. The bottom edge of the 2 x 4 block is at the height of the top edge of the tub or tray.



02 Here, we install a tub with only one nailing flange along its back side. Dry fit the length of the wedi tape needed to cover all three sides of the tub or tray. Then remove the protective cover from the butyl strip in several steps as you work your way around the tub. Press the butyl firmly to a clean and grease free, vertical top area of the side of the tub or tray.



03 Cut off any tape exceeding the three sided perimeter of the tub or tray.



04 Apply two continuous 1/2" (12.7 mm) beads of wedi Joint Sealant low and centered along the 2 x 4 blocking. Apply on all three framed sides. Note, the working time of the sealant is appr. 10 minutes, depending on the site's climate.



05 Move tub or tray into its final position and push tight against the framing.



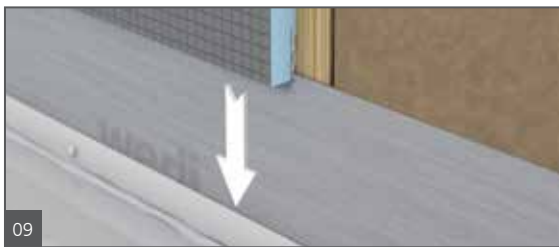
06 Fasten the nailing flange to the framing or blocks.



07 Ensure the tape is now pressed into the beads of wedi Joint Sealant and pressed flat over the 2 x 4 blocks. A putty knife will help you with this step.



08 When ready for the wedi Building Panel installation on the walls, apply a 1/2" (12.7 mm) bead of wedi Joint Sealant along the tub's outer edge where the first wedi Building Panel will connect to the tub or tray.



09 Where a wedi Building Panel meets a nailing flange, it can be notched out at its back side. It may now integrate the flange and seal to it thanks to wedi Joint Sealant in this connection. You now have a straight and plumb wall panel with square corner areas. In addition, the wedi Building Panel can be installed down to the tub or tray edge and into a bead of wedi Joint Sealant. This ensures full backing of the tile later.



10 With all panels installed, seams and fasteners sealed, the installation is complete fast. Please note, the Tub Sealing Tape is a secondary line of waterproofing. This may become important with tubs or trays which have no nailing flange and may flex and move a lot, not only due to extreme temperature changes. The tape will be there should your wall waterproofing ever be compromised due to such extreme tear and wear due to flexing or movement of a tub or tray.



wedi 1/8 in. Building Panels under mosaic strips

wedi's 1/8" (3.2 mm) Building Panel can be used to perfectly install mosaic accent strips into a large format wall tile assembly. This helps avoiding excessive mortar build-up and leveling when trying to evenly align the field tile with the much thinner mosaic tile strip. The strips of wedi Building Panel could even be pre-tiled in the shop and simply adhered into the wall assembly on site, using thinset mortar applied to the back of the strip only.

Possible Floor Surface Coverings over wedi Building Panels



On Floors: wedi under Ceramic and Stone Tile Coverings

Virtually all mosaic and larger or thin tile formats, such as dimension stone or thin porcelain tile, can be installed over wedi Building Panels, which are an ideal carrier element and allow for easy and fast installation. Natural stone is also properly supported and cannot transfer soluble salts causing efflorescence due to the impervious nature of the wedi substrate, separating it from concrete subfloors. Please contact wedi for suitable tile choice and formats for use in various types of installations, such as residential or commercial.



Alternative Floor Coverings: wedi under Laminates and Ready-to-Lay Parquets

Laminates and ready-to-lay parquets are an alternative to ceramic floor coverings. Laminate is a comparatively low-cost material that is only coated with a decorative layer; parquet is a wood flooring that – depending on quality – may be very durable. Both floor coverings are available in many different wood designs and colors as well as various qualities. Also here, the wedi Building Panel is the perfect carrier element, where the laminate is laid as a floating floor.

i Contact wedi for best practice installation methods or substrate requirements when using specialty surface coverings.



wedi Building Panels Over Structural Floors

Whether it is in new construction or renovation, a great variety of subfloor types need a tile underlayment prior to setting tile or stone. Some of the reasons for the need to install tile underlayments include: they may reduce stresses from subfloors and protect tile; they may be used to build up height as needed to finish the tile surface flush with adjacent flooring surface; and they may be necessary for waterproofing or insulation purposes. Also very important, they should provide and support successful and lasting adhesion performance for thinset mortar and tile. wedi Building Panels offer a durable underlayment surface once tiled and it passes the Robinson Floor Test (ASTM C627) having achieved a “heavy duty use” rating. In combination with its ideal flat surface, it is a logical choice when installing either small tile or very large tile but possibly extremely thin tile on floors. Both require perfect thinset mortar coverage and adhesion, made easy when working on a most flat and even surfaces and they need the full support of a strong underlayment like the wedi Building Panel. It is, however, important to evaluate the suitability of a subfloor structure, or the layer below a tile underlayment, to ensure a proper tile installation and also the choice of a good underlayment fitting the application.

wedi Building Panel (incl. Preline) General Requirements

- wedi Product Systems are only used for interior installations.
- Do not use as a wear surface or without tile/stone or other suitable coverings.
- Do not use organic mastic adhesives for setting tile on wedi Systems in wet areas.
- Use only thinset mortar setting materials suitable for installation and adhesion to the specific substrate/subfloor type.
- In steam showers or steam rooms use only setting materials specifically recommended by the manufacturer for this application, and submerged and hot temperature areas. Setting materials recommended by wedi are commonly solid epoxies (meet or exceed ANSI 118.3) or high performance modified mortars (meet or exceed ANSI 118.15). Test the adhesion over vapor barriers.
- Adhesive coverage under tile or other suitable surface finishes in wet area installations must be a minimum of 95%.
- Certain substrates must be primed prior to thinset mortar attachment.
- Ensure tile and setting materials, including grout, are suitable for the application (e.g. submerged applications or steam rooms)
- Do not use where substrate is subject to excessive moisture and moisture content changes.
- Do not use over substrates including, but not limited to: general particle board (specific exceptions apply), luan, asbestos, plank, bamboo, hardwood, chipboard, sponge backed vinyl tile/flooring, laminates, fiberglass based surfaces, metal or steel surfaces. Do not install over any dimensionally unstable surfaces. Consult wedi for questions regarding specific approved installations not listed here.
- Subfloors must be clean, even, sufficiently load-bearing and dry (cured). Residues, oil, waxes, grease or other contaminants acting as possible bond breakers must be removed.
- Deflection of all subfloor installations must not exceed L/360 for ceramic tile installations and L/720 for dimensional stone installations over wedi product under consideration of live and dead loads measured between joists.
- Any leveling of the subfloor must be done prior to installing wedi product and tile. Subfloor maximum variation from plane must not exceed ¼" (6.4 mm) in 10 ft. (3050 mm) and 1/16" (1.6 mm) in 12" (304.8 mm) when tile over wedi product is used and all edges of the tile shorter than 15" (381 mm). For installations over wedi product using tile with at least one edge 15" (381 mm) or longer in length, maximum allowable variation is 1/8" (3.2 mm) in 10 ft. (3050 mm) and no more than 1/16" (1.6 mm) in 12" (304.8 mm). Make sure to use leveling materials adequate to the challenges of the application. When leveling or building up larger areas including outside the shower please do not use material that can be affected by even low water exposure.
- wedi products should not be installed over bowl shaped, uneven structures unless suitability is specifically determined for a wedi product.
- A wedi installation does not replace the need for Expansion and/or Movement joint placement within a tile installation. Please follow recommendations found in the TCNA guidelines (Detail EJ171).
- All installations shall be in conformance with IRC for residential installations and IBC for commercial installations or applicable building codes in a region including the consideration of properly designed substrates and subfloors. All installations including the consideration of properly designed substrates and subfloors should be in compliance with current TCNA Handbook for Ceramic, Glass and Stone Tile Installation,

use details specific to "Cementitious Coated Extruded Foam Backer Board". wedi's technical recommendations supersede all requirements of IRC,IBC, IPC or TCNA where in conflict and exceeding minimum requirements established by the above mentioned institutions.

- Contact wedi for installation of tile or stone smaller than 2 x 2" (50.8 x 50.8 mm) and larger than 12 x 12" (304.8 x 304.8 mm) over wedi product, and where wedi Building Panel is used in commercial use areas, to learn more about the best practices and requirements applied in such applications. Follow tile manufacturers' recommendations for appropriate flooring tile choice, setting materials and installation techniques.

Installation over structural wooden surfaces – Flooring

- Plywood subfloor joist spacing must not exceed 16" (406.4 mm) o.c. with minimum thickness of T&G exterior grade plywood of 23/32" (19 mm). Joist spacing in excess of 16" (406.4 mm) o.c. and up to 24: a structure comprised of one 23/32" (19 mm) exterior grade plywood with 1/8" (3.2 mm) of a gap between sheets and one additional layer of minimum 3/8" (10 mm) thick exterior plywood with 1/8" (3.2 mm) gap between sheets.
- Plywood subfloor sheets must be properly glued and fastened.
- Wood subfloors and structures attached to wooden subfloors must be kept dry and wood moisture content must be maintained at consistent service and use levels and must not exceed 15 %. Where constant moisture or vapor is present, ventilation must be installed to eliminate exposure of the wood structure from below the wedi product layer.

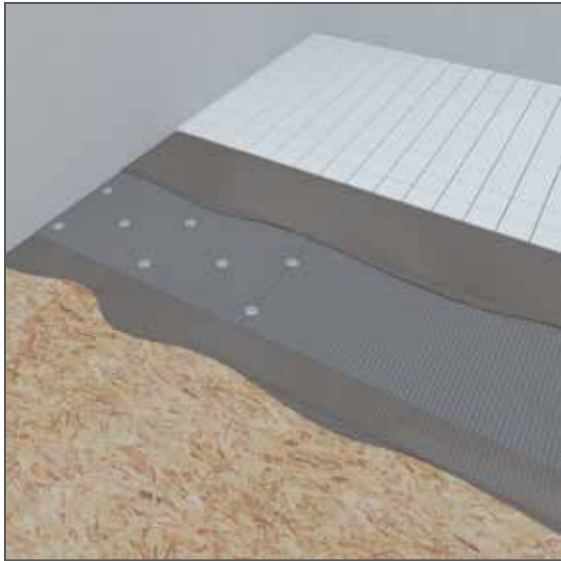
Installation over structural concrete/ cement base surfaces – Flooring

- Concrete slabs or other structural cement based substrates must be fully cured (at least 28 days but up to 3 months for new Portland cement based concrete or lightweight concrete under normal conditions, mix ratio and ambient climate). Field verification of full cure (see moisture level indicators below) is necessary to determine a full cure.
- Residual humidity must not exceed the following value per each floor type when setting wedi product and/or tile coverings:
 - Calcium Sulphate Screeds: 0.5 %
 - Calcium Sulphate Screeds, heated: 0.3 %
 - Cement Screeds: 3.5 %
 - Gypsum based underlayment: 1 % or per manufacturer recommendation
 - Anhydrite Screeds: 0.5 %Conduct measures with CM device.
Please note that wedi product systems might trap rising moisture during cure time or in general from unisolated concrete ground floors not equipped with a vapor barrier.
- Concrete Subfloors must not be subject to hydrostatic water pressure.
- Existing cracks in subfloor must be filled and secured.
- Do not use over control and/or expansion joints subject to out-of-plane movement or in- plane- movement.



wedi Building Panels Over Wooden Subfloors

wedi Building Panels are excellent underlayments for tile over interior wood subfloors. When applied over wood subfloors – wedi Building Panels act as a waterproof membrane and offer a superior bonding surface for tile. Additionally, the thermal insulating qualities of the panels support installations including floor warming systems under the tile covering. The ease of cutting and installing the wedi Building Panels make for a great renovating experience. Crisp cuts around installations or obstacles provide for full surface tile support even in underlayment edge areas and tricky spots. When used for waterproofing the exact cut outs and perfect joint alignment provide tight and closed waterproofed surfaces.



wedi Building Panels over Wooden Subfloor Installation

All wedi Building Panel sizes and thicknesses can be used as tile underlayments over wood subfloors. A modified thinset mortar is applied to the floor with a 3/16" (4.8 mm) to 1/4" (6.4 mm) square notch trowel to provide a ribbed bed. The wedi Building Panels are then laid into the mortar. All joints should be staggered so that no seam continues throughout the length of the floor. wedi fasteners, in this application tabless washers and wood screws, are applied every 1 ft. into seams to create flush transitions between panels making use of the wedi washer and are generally set at a rate of 1 fastener per 1 square foot across the panel surface. All seams should be taped with wedi alkali resistant mesh tape in dry areas or with wedi Sealing Tape or wedi Joint Sealant in wet areas. Fastener points are waterproofed using wedi Joint Sealant before tiling begins once the thinset mortar has set up below the wedi Building Panels. Use weights over wedi Building Panels and especially across panel transitions to ensure full bond and smooth transitions.



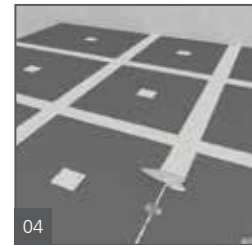
Simply spread modified thinset mortar over a clean wood subfloor using a 1/4" x 1/4" (6.4 x 6.4 mm) notch trowel provided the subfloor is even and load-bearing.



Apply the wedi Building Panel by laying the panels into the mortar. Stagger all panel joints. Apply weights, such as tile boxes, equally across the wedi Building Panel surface and especially over transitions.



Fasten with wedi Fasteners. Use wedi Tabless Washers and wood screws.



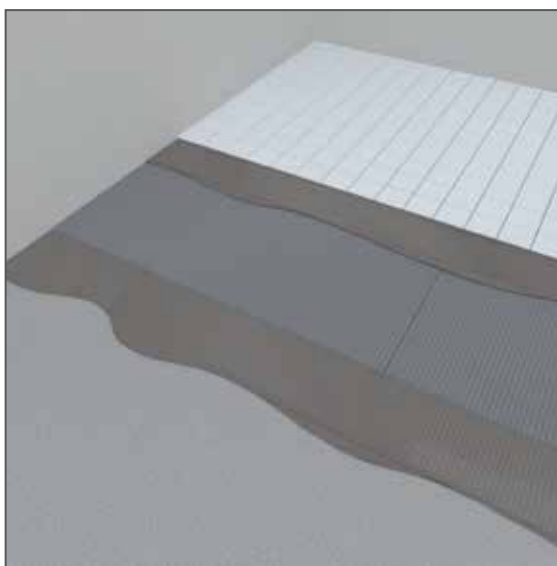
Tape all joints with wedi fiberglass mesh tape in dry areas or wedi Joint Sealant in wet areas. Fastener locations should be waterproofed too using wedi Joint Sealant. Begin tiling once tile adhesive has cured below wedi Building Panel.



Extend your waterproofing from shower and tub areas into the whole bathroom with wedi Building Panels or the wedi Subliner Dry Sheet Membrane system on your floor. Especially when installing floor level entry showers, a waterproof tile underlayment is needed in the front of a shower entrance. wedi Building Panels and wedi Subliner Dry can help you create both in one step: your waterproofing and tile underlayment as well.

wedi Building Panels over Concrete Subfloors

When installed over concrete, wedi Building Panels function as a crack-bridging underlayment, as cracks are not likely to transfer through the polystyrene core. The polystyrene foam also acts as a water barrier, when the seams are properly treated, making the system 100 % waterproof. The panels have excellent thermal insulation qualities, which is especially beneficial when used under floor warming systems. The wedi Building Panel can help smooth out slightly uneven slabs if appropriate mortars or wedi Building Panel thicknesses are used.



wedi Building Panels over Concrete Subfloor Installation

All wedi Building Panel sizes and thicknesses can be used as tile underlayments over concrete subfloors. Modified thinset mortar, combed through with a 3/16" (4.8 mm) to 1/4" (6.4 mm) square notch trowel, will then provide a ribbed bed into which the wedi Building Panels will be laid. All joints should be staggered so that no seam continues throughout the length of the floor. Apply weights (i.e. tile boxes) onto the surface and where transitions are located while the mortar is setting up. After the mortar has set, wedi alkali resistant fiberglass mesh tape, wedi Sealing Tape or wedi Joint Sealant should be applied to all seams, then tiling can begin.



01

Make sure the concrete floor is fully cured and free of debris, oil or waxes. Some concrete floors might require priming or vapor retarders prior to thinset mortar installation.



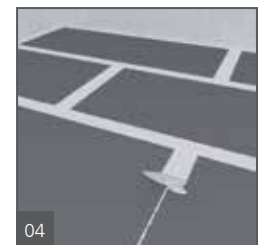
02

The panels are installed in a full coverage setting bed using modified thinset mortar allowing best connection between subfloor and wedi Building Panel.



03

Stagger all joints when laying wedi Building Panels on the floor. Apply some weights such as tile boxes equally distributed over the wedi Building Panel surface and especially over transitions.



04

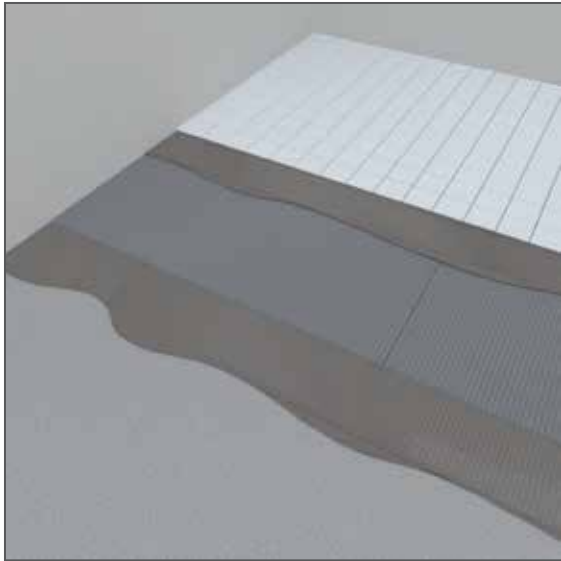
Tape all joints with wedi fiberglass mesh tape in dry areas or wedi Joint Sealant in wet areas. Begin tiling once thinset has cured below wedi Building Panel.



wedi Building Panels Over structural floors and with Floor Heating Systems

wedi Building Panels are ideal for use beneath floor heating systems whether you have a warm water heating or an electrical floor warming or heating system. The panel's insulation properties isolate the heat from the substrate and guide it straight into the room which then saves energy and reduces warm-up time, as well as supports equal distribution of warmth.

Electric floor heating systems can be installed as per manufacturer's instructions onto already installed wedi Systems and underlayments (i.e. wedi Building Panels, Fundo floor elements, Sanoasa benches, Sanoasa loungers). In wet areas, only products approved for such individual application and areas, such as showers, should be used.



Installation of Electric Floor Warming Systems using conventional wedi Building Panels

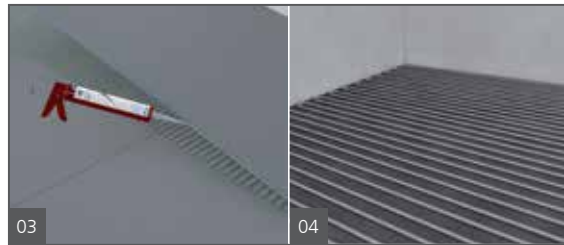
The wedi Building Panels save time and money while conserving energy when used in conjunction with any common electric floor heating system. The extruded polystyrene foam core construction makes the system 100% waterproof and the perfect heat insulator and thermal barrier. wedi Building Panels are equipped with a cement resin surface that is reinforced with a fiberglass mesh and provides an ideal bond to any common tile adhesive or self-leveling product which may be needed to integrate an electric cable or mat system.



01 Make sure the concrete floor is even, fully cured and free of debris, oil or waxes. The wedi Building Panels are installed using modified thinset mortar using a 1/4" x 1/4" (6.4 x 6.4 mm) notch trowel.

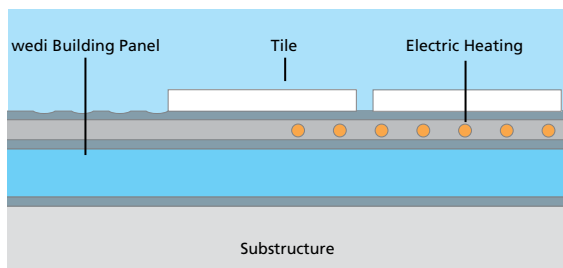


02 Stagger all joints when laying wedi Building Panels on the floor. Apply some weight on the boards during initial thinset setting time and especially over board transitions.



03 wedi Joint Sealant can be applied with a continuous 1/4" (6.4 mm) bead while setting the panels in position (seams butted tightly) or after they are set and with the bead of sealant installed over the seam before it is spread flat using a putty knife. All excess sealant must be spread flat so joint sealant covers the seams at least 1/2" (12.7 mm) to 3/4" (19 mm) on either side of the seam. In dry areas, wedi selfadhesive alkali resistant mesh tape can be used to reinforce the seams.

Install electric floor warming system according to manufacturer's recommendations. Please make sure the wedi Building Panels are not punctured by staples or other mounting devices.



Electric under floor heating systems are easy to mount on the wedi Building Panel and downward heat loss is prevented, making the heating system noticeably more effective.

Note on electric floor warming systems

Electric floor heating systems can be installed as per manufacturer's instructions onto already installed wedi product system or underlayment surfaces and reinforced elements (e.g. wedi Building Panels, Fundo floor elements, Sanoasa benches, Sanoasa loungers). Here only products approved for such individual application and areas such as i.e. wet rooms should be used.



Installation of Hydronic/Water heating systems using wedi Preline and conventional wedi Building Panels

wedi Building Panels are ideally suited for use beneath floor and even wall warming systems. The wedi Building Panels good insulation properties keep the heat away from the ground and reflect it back up in to the room, regardless of whether you have a hot-water heating system or an electric system. wedi Building Panels save energy and provide shorter warm-up times around your heating system. The warmth is evenly distributed across the entire floor.

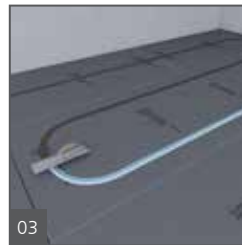
You can also use wedi building panel and customize channels for hydronic tubes. Choose the appropriate thickness adding a minimum of 3/8 in. to the diameter of the tubes or pipe for insulation you want to always keep strong enough below the channels (add for any connector fittings that may require deeper channels). You may also purchase wedi Preline which features pre-made ducts for the hydronic system. Pictures 01-02 show how to use wedi building Panels with hydronic floor heating systems. These steps are not required with Preline, which is equipped with factory made channels that can be connected across boards.



01 Draw ducts/grooves onto the wedi Building Panel for installation of the heating system.



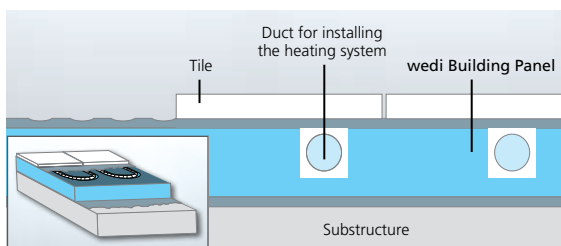
02 Cut grooves using a router. Cutting width should be the same as the pipe width; cutting depth should be at least 1/8" (3.2 mm) deeper. Make sure at minimum a remaining wedi Building Panel foam thickness of 1/4" (6.4 mm) remains intact below the pipe.



03 Install tubing into the groove. Fill tile adhesive into the pipe duct to cover pipe and fill voids.

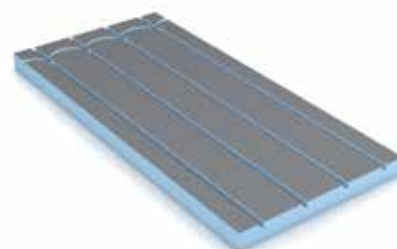


04 Apply wedi's wide self adhesive reinforcement tape over the installed ducts. You can then start tiling. Tiles smaller than 4 x 4" (101.6 x 101.6 mm) should not be used over hydronic system installation surfaces.



For hot-water systems, ducts can be cut into the building panel and other wedi elements quickly and easily. The wedi Building Panel serves as a combined form of heat insulation and a base for installation of tile and serves as waterproofing protection if needed.

*wedi Preline shown below.





Installation of Large Format Thin Porcelain Tile, and Other Tile/Stone, Over Countertops

Installation Tips:

- wedi Building Panels starting with an panel thickness of 1 1/2" (38.1 mm) can be used over counters without additional plywood support. The wedi Building Panels may overhang at the countertop edges by a maximum of 6" (152.4 mm) if overhang areas are tiled top, front and bottom.
- Some large or irregular shaped countertops will require multiple panels. This makes it necessary for the use of an edge leveling system to maintain a smooth transition between the large format, thin porcelain tile. For timing and method of installation refer to the edge leveling system manufacturer's instructions.
- In areas where the countertop intersects with the backsplash or other vertical projections through the countertop, differential movement will occur. For these active transitions, most manufacturers recommend the use of a color coordinated 100% silicone caulk for its superior flexibility and adhesion, or when applicable a permanent metal or plastic edge treatment piece can be used.
- Full coverage of bonding mortar is critical for the impact resistance of the installed countertop. It has found that a high speed orbital sander with pad is the best way to evacuate the air and collapse the ridges under the panel. The installation guidelines for floors, including but not limited to, proper trowel and troweling technique (excluding the walk-in method for embedding), should be followed for countertops.



01

Apply a continuous 1/2" (12.7 mm) thick bead of wedi Joint Sealant over the spacers of your countertop. Glue down the wedi Building Panel in thickness of 1 1/2" (38.1 mm) to 2" (50.8 mm) after you have cut it to size. Leave it recessed behind the front of the counter so you can apply a strip of wedi Building Panel to the exposed foam edge as shown in Step 2 and still finish flush. Apply some weight equally on the surface for 15-20 minutes so that the wedi Joint Sealant can set up properly under compression.



02

Apply wedi Joint Sealant and a strip wedi Building Panel in any thickness starting from 1/8" thick standard wedi Building Panels. This strip's cementitious coating side will allow you to better set small tile.



03

Cut out for the sink using a jigsaw or handsaw. As needed, recess cuts might be created with a utility knife or a router to accommodate recessed sinks. Cutting the holes may proceed before or after installation of large format, thin porcelain tile as indicated in step 5.



04

Install the large, or small format tile, including thin veneer tile, or stone to the wedi Building Panel surface and edges using a modified thinset.



05

Apply weight equally distributed across the tile until thinset mortar has set.

Custom designing and shaping with wedi Building Panel

In a custom tiled wet area you may want to create specially shaped benches, seats, walls, tunnel shape ceilings, or shelf systems. wedi Building Panels open endless possibilities in the design of circular and other shapes. Whether you wish to achieve tight curves or semicircular solutions, the wedi Building Panel grants you plenty of scope to develop your ideas for virtually all applications. Since wedi Building Panels offer exceptional moisture protection and heat insulation, you can be assured your installations are guaranteed to meet the highest quality standards, no matter the shape and size you choose to create. Below is just one example how to shape the wedi Building Panel.



01 Create a series of cuts into the wedi Building Panels 1/2" the thickness of the panel deep. The distance between cuts depends on the tightness of the radius needed later. Use a circular saw for these cuts.



02 To shape the wedi Building Panel according to your idea, you may first want to create a type of template, e.g. out of wood.



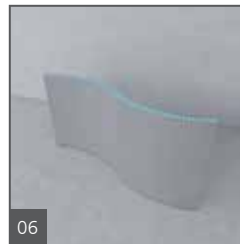
03 Place the wedi Building Panel flush along the structure, with the incisions facing upwards...



04 ... and apply wedi Self Adhesive Mesh Tape followed by a flat application of thinset mortar.



05 Once the thinset mortar has set, the shaped wedi Building Panel can be moved into its intended final position or application.

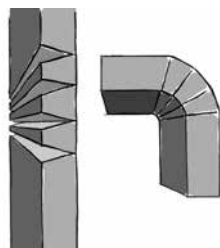


06 A wide range of other shapes are possible using the wedi Building Panel. All you need is a template shaped to suit your needs. A template may not be needed for simpler shaping.

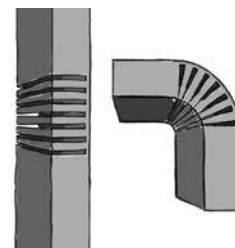
Important:

We recommend to waterproof over cut wedi Building Panels in wet areas as the panels are cut to bend properly, but may break through the foam in handling.

Tools and Methods to cut wedi Building Panels into flexible shapes – curved bench styles



Cut the wedi Building Panel using a utility knife and straight edge. This way wave shape constructions can be produced. For a small radius – cut out wedges from the building panel or...



... cut the wedi Building Panel using a hand-held circular saw and bend it into a curve.



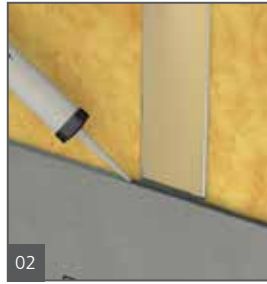
wedi Vapor 85 for Steam Rooms and Steam Showers

A special variant of the wedi Building Panel, wedi Vapor 85 is designed for the specific installation in steam showers and steam rooms. It will serve as a strong vapor retarder, by far exceeding the minimum requirements set by the Tile Council of North America (TCNA) for vapor retarders used in continuous use steam rooms. At the same time it offers all the benefits of the traditional and time tested wedi Building Panel: it's light yet strong. It can be cut and worked with in a clean and exact way. It adds insulation, and provides great bond for tile and other suitable surface finishes.

However, the best feature is that it is a component of a fully functioning system which was developed to also vapor-proof seams, and fastener penetrations. The wedi Vapor 85 makes best use of wedi system technology taken from wedi Building Panel, wedi Subliner Dry, wedi Subliner Dry Sealing Tape, and wedi Joint Sealant. Additionally, it works great with wedi Fundo or Subliner Dry on steam room floors.

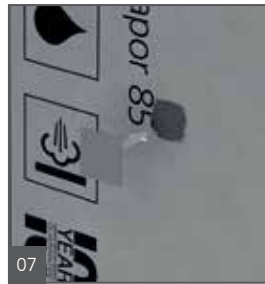
i wedi Sealant 620 is a moisture curing sealant remaining very flexible even when cured. In dry air or colder environments, the curing time may extend up to 24-48 hours, also depending on the amount used and sandwiched between waterproof surfaces (tape/ wedi Vapor 85), allow for extra time before tiling and grouting with epoxy mortars and/or using tile larger than 12 in. x 12 in. The extended curing times prior to exposure to water or water vapor are added. In the average steam room project, please plan for a consumption of (1) 20 ounce sausage for every 24 sq. ft. of wedi Vapor 85 panel surface installed.

Installation of wedi Vapor 85



Ensure all framing and structures meet applicable wedi general requirements, building code and industry standards. Attach Vapor 85 panels to wall horizontally, and start the fasteners 1 ft. (304.8 mm) above shower floor. Use wedi's flat washers (washers without tabs) and screws. On solid or wedi built bench constructions (1 1/2" [38.1 mm] to 2" [50.8 mm] wedi Panels) install wedi Vapor 85 panels in well distributed 1/2" (12.7 mm) beads of wedi Sealant 620 spread with a space of 6" (152.4 mm) between beads. If the construction is not entirely smooth, use a full thinset mortar bed to attach using a 1/4" x 1/4" (6.4 x 6.4 mm) trowel.

All panels are butted tightly with wedi Sealant 620 continuously applied between all contact seams. Excess sealant is spread flat with a putty knife. Use only wedi's flat washers so the membrane is not twisted upon tightening the washer. On ceilings, set wedi fasteners at a rate of 1 per every 6" (152.4 mm) of framing. In addition, apply a continuous 1/2" (12.7 mm) bead of wedi Sealant 620 on every stud before attaching the panel.



Apply several beads of wedi Sealant 620 as a setting and sealing bed for wedi sealing tape. Spread the sealant with a fine tooth adhesive trowel or flat putty knife to achieve a full coverage sealant bed for the sealing tape. The minimum thickness of the sealant bed should be 1/16" (1.5 mm). The tape is centered over the seams and pressed flat into the sealant. Make sure to use a flat putty knife or paint roller to work the sealing tape flat over the seam and remove all air bubbles or any other unevenness. Excess sealant is spread flat. Sealing tape inside and outside corners, as well as collars for valves or other protrusions, are available.

Cover all fastener/washer points with wedi Sealant 620 covering an area of 3" x 3" (76.2 x 76.2 mm) with the washer's screw at its center. Embed a sealing tape patch with a size of 3" x 3" (76.2 x 76.2 mm) into the bed of wedi Sealant 620 and press flat using a putty knife.



Use wedi Sealant 620 and wedi Subliner sealing tape and sealing collars to seal around protrusions and penetrations of the Vapor 85 in the same method as using the same method as for applying tape and fastener point covers. When using Vapor 85 systems plan for needing one 20 oz. wedi 620 unit to install one wedi 3 x 8 x 1/2 in. Vapor 85 Building Panel, including seam tape and fastener patch installation.

Allow the wedi Sealant 620 to cure for at least 24 hours prior to setting tile and 96 hours after its application before exposing the tiled installation to water and water vapor. On floor areas, consider wedi Fundo Shower Systems or Subliner Dry sheet waterproofing membrane when working over mortar or screed surfaces (install in accordance to Subliner Dry installation manual using wedi Sealant 620 in overlapping sheet – or Subliner Dry tape covered seam connections).

Introduction to Steam Rooms and Steam Showers

Steam Showers and Steam Rooms are not only great places to relax and be healthy. For the professional installer, they are also a special challenge and great opportunity alike.

a. Structural Design, Construction, Building Materials, Technical Equipment- Before Surface Finish Installation

Steam rooms are designed to be closed rooms within which a special environment and climate exists during operation, and it exists parallel and is different compared to the climate outside that room.

Steam rooms differentiate from steam showers mostly because the latter provide the user with both options, the use as a regular shower and the use as a steam room. Steam showers are mostly used in residential settings, while steam rooms are often larger in size, and used in commercial settings and thus used for longer periods of time. In this manual, we will refer to both applications as steam rooms. In fact, wedi applies the same installation and performance requirements to both applications to keep your installation safe under all circumstances. The same recommendations apply to residential and commercial use steam rooms, large and small in size. Naturally, we will base this manual on the assumption that tile will be used as the interior surface finish, installed over tile underlayment systems provided by wedi. A steam room construction consists of a sloped floor structure with drainage (slope 1/4" [6.4 mm]/foot), tile load bearing wall structures, a tile load bearing ceiling structure (sloped toward wall(s) at 2" [50.8 mm]/foot), and typically seats or bench arrangements (seating area sloped in a forward direction 1/8" [3.2 mm]/foot). While their general design reflects that of a shower in many ways, steam rooms require a completely sealed room design including the added ceiling and a sealed door and door frame arrangement. In addition to water exposure, steam rooms must be able to handle and manage water vapor and high temperature and temperature change exposure.

Structural walls, ceilings, benches can be constructed from wood or metal framing or may be solid brick, concrete or cinder block. Wall and ceiling structures shall be continuously insulated even though they may entirely be interior structures with no walls being part an exterior structural wall of the building. In some areas of types of buildings, part of the wall and ceiling structures may need to be cladded with fire rated panels such as fire resistance rated cement board if on inside of a framed wall, or drywall if on safely dry exterior parts of same wall or ceiling setting. Sprinklers may also be required especially in Type I and II building commercial or occupational use buildings.

Structural subfloors may be made of concrete, screed or wood based. Door frames should be made from aluminum or stainless steel 316 when a frame is used. Glass doors shall be at minimum 3/8" (10 mm) thick reinforced safety glass and shall not be equipped with a lock and always open to the outside. Where no frame is used to tightly seal the door construction which allows for a tight seal of the glass door when closed, meticulous attention must be paid to install alternative systems in equally tight fashion. This can prove to be a challenge, as most non door frame systems are designed for use in showers and water vapor may easily escape which must not be allowed to happen. Generally, it is a good practice, however, to leave an open gap (1" [25.4 mm]) between floor surface and bottom of the glass door to guarantee access for fresh air and oxygen at all times.

All wall, ceiling, bench, floor and other structures to be finished with tile or other surface finishes require the placement of tile or other finish underlayments on the structure's interior side. The underlayments must be appropriate for attachment to the substructures, and also must be appropriate as a bond surface for the tile and environment it is placed into - such as wedi Building Panel.

Equipment for steam rooms include a steam generator, closely located to the unit. It will produce the water vapor, which is forced into the room through an insulated copper pipe led through the wall in an area no less but also no higher than 12" (304.8 mm) of the steam room floor. The copper pipe should be as short and as straight as possible for optimal performance. Condensation may collect in pipe elbows or angles. Where the copper pipe penetrates the wedi wall panel, it must still be insulated to not melt the wedi foam core. Appropriate insulation tape should be heat resistant. The vapor inlet should be equipped with a shield making direct contact between users and the ca. 200° Degree Fahrenheit hot water vapor impossible. The inlets should not be located in areas where users move or sit. The inlet should not point the vapor directly against tile and grout surfaces.

Elaborate shower equipment and plumbing installation may be present, and at least a handheld shower or a hose connection should be considered to clean surfaces in commercial use steam rooms more efficiently.

Lighting must be sufficient and guarantee safety of the users in a foggy space. Lighting may consist of LED or low voltage lights, chromatherapy lighting systems or fiber optic lighting sticking out from the ceiling where the fiber strings are bundled on top of the ceiling and connected to a light source. Audio entertainment and speaker systems may be present, as well as equipment for aromatherapy.

Heating systems, when used in steam rooms, should be hydronic systems. Caution must be applied before deciding to heat surfaces. This extra heat may interfere with temperature guided steam generator operation. In addition, when a steam room is operating at constant and high temperature levels, the water vapor will likely be less visible than would be desired. To see vapor fog, the water vapor must meet air cool enough to bring the water vapor close to its dew point (which fluctuates with density of vapor molecules in air). Cooler air is usually more prevalent in the lower areas of the steam room.

Generally, all equipment used in steam rooms must be chosen based on their suitability for steam room use. Electric equipment and fixtures must be rated for submerged use and carry an IP 67 class rating. Lighting may produce heat and such heat should always be projected away from structures. Caution is necessary when working with lighting commonly used in pools. These are often cooled by the pool water which does not occur in steam rooms. All metal based equipment and fixtures should be corrosion resistant on the level of stainless steel 316.

Please ensure the manufacturer of all materials and equipment specifically approves the installation and use in a steam room environment and is able to advise a safe and water and water vapor tight installation process.

b. The Special Challenges to Prepare the Steam Room for Water, Water Vapor and Temperature Exposure Management

During a steam room's operation, a steam generator forces water vapor into the steam room and the air is quickly saturated with moisture and up to a level of 98% or more relative humidity. While H₂O water molecules are in a state of gas form, they also carry great energy, and move rapidly and randomly. They are not as tightly packed as the same H₂O molecules in a liquid state (plain water), in which they also move much slower. Water vapor molecules constantly threaten to penetrate the steam room structures including walls or ceiling but also benches or similar structures, including floors. If that is allowed to happen, the water vapor and, subsequently, the condensation that it forms, may cause damage to framing, subfloors, electrical installations, the adjacent room or equipment and materials outside the steam room.

H₂O in its gaseous form (vapor) can penetrate conventional waterproofing membranes. These membranes are designed to withstand penetration of water in its liquid form. Liquid, plain water presents a larger and tighter mass of H₂O molecules and is a less energetic unit in comparison. Particularly, if the vapor molecules escape and meet their dew point inside structures, and then condensate, the condensation remains inside these structures and causes damage that may not be immediately detectable, but massively and continuously present. Wall and roof structures are typically colder, because they are in contact to the outside environment of the steam room. This attracts much condensation on the inside surfaces of the steam room, such as tile. But what is not immediately apparent is, that the water vapor also enters into the equally cold grout and thinset layers until stopped. Insulation inside a wall cavity or structure is therefore important, as it will moderate the climate variation and difference to the outside. This helps prevent excessive condensation and will allow the vapor to circulate more effectively, and it will help saving energy.

The water vapor saturation inside the steam room is maintained through the temperature in the steam room. Average temperature levels are maintained between 100 – 120 Degree Fahrenheit. When the temperature level drops, a feeler activates the steam generator to produce more hot water vapor. The warm temperature is directly caused and maintained by the hot vapor entering the steam room. There is a constant vapor pressure kept on a high level, up to saturation, which is the point at which the steam generator produces as many water vapor molecules that are separating from its water fill as there are water vapor molecules reverting back into liquid condensation inside the room. This condensation is most noticeable when it drips like warm to hot rain off the roof of the steam room. This is why it is important to design a slope of 2" (50.8 mm) per foot into ceiling structures and a recommended 1/8" (3.2 mm) of slope for bench seating areas, so most condensation is lead to the wall, over the benches and towards the slope (1/4" [6.4 mm]/foot) and drain of the steam room floor. Temperature, also in combination with moisture, prompts many materials to expand or contract and at varying degrees, which may impact the steam room functionally and cosmetically. Movement in materials of all construction layers and in between connected parts, product and equipment can cause cracks, leaks and bond issues.

To mitigate the risk from water, water vapor and temperature exposure, the waterproofing and vapor proofing or retarder is placed directly on the inside of the tile underlayment surfaces, where it will now be located directly below the tile adhesive, tile and grout material layers. Insulation is installed behind the tile underlayment.

c. How wedi Can Offer a System to Simplify Construction and Ensure Safe Operation in Consideration of a Steam Room's Special Challenges

wedi Building Panel is a tile backer board and underlayment, which offers insulation and waterproofing all in one product. wedi offers its range of pre-fabricated and pre- sloped Fundo shower floors incl. line drains or point drains for the floor. Besides wedi's regular tile backer boards in 1/2" (12.7 mm) and 5/8" (15.9 mm) thickness for use over existing wall, ceiling or bench structures, framework or solid, wedi also offers an optional 2" (50.8 mm) thick panel. When used at walls and ceilings they could replace framing or other structures and conventional insulation in one step when installed in a free standing concept. They can be used to build benches completely eliminating conventional structures. Such conventional structures can present challenges in steam rooms. Particularly wood materials move, when exposed to temperature changes, and this creates a risk for sealed seams and may cause cracks in surface finishes. When shaping curvy benches or round walls, the 2" (50.8 mm) wedi Panels can complete this job much quicker than for example concrete materials, and without need for time consuming skim coating to get a structure ready for intricate mosaic tile. With our systems, you have two options to provide a strong vapor barrier on top of the wedi Building Panel basis. One option includes the use of wedi Subliner Dry over wedi Building Panel or other suitable surfaces. The other option

is Vapor 85, our wedi Building Panel with Subliner Dry factory applied to one side. Naturally, wedi's product systems are not supporting mold growth. With one system, the entire interior tileable surface is now created and sealed tight right below the level of tile and setting materials. wedi's vapor barrier successfully retards all water vapor targeting it and it is the direct bond surface for tile. It exceeds the requirements set by the Tile Council of North America as shown in the steam room details SR613 and SR614 in their Handbook for Ceramic, Glass, and Stone Tile Installation. In their details, the TCNA requires the permeability of a vapor retarder to be below .5 perms when tested using ASTM test method E96, Method E, and with test environment set at 90% R.H and 100° F temperature. The second option, our wedi Vapor 85 is a specialized wedi Building Panel equipped and pre-laminated on the vapor exposed side with wedi Subliner Dry, a strong vapor retarder in sheet membrane form. In such assembly, seams and fastener areas are covered and sealed tight using Subliner sealing tape in combination with wedi Sealant 620.

The wedi Vapor 85 Building panel will be introduced in June of 2019 and is thoroughly tested on the basis of well-known wedi product and listed under wedi's ICC PMG 1189 Certification and Quality Assurance program. In fact, wedi Subliner Dry and Vapor 85 assemblies incl. their seams were tested to ASTM E96 method E at 100°F and 90% humidity, and achieved a perm rating of 0.03 by far exceeding TCNA requirements.

wedi Building Panels in all their sizes and thicknesses also help achieving success when working on smaller but crucial details and offer safer installation experience. They cut tight and clean around protrusions and equipment allowing for tight sealant and vapor barrier application, such as wedi's Subliner Dry membrane. They install tight at seams and are strong tile backer boards providing a gritty and very even and consistent surface you will love when tiling. Their sealed joints offer strong waterproofing but also flexibility, replacing the need for slip joints as required with conventional installation methods and materials. When working on ceilings, its lightweight nature keeps you working fast and safe. Especially when thicker wedi Building Panels are used, these may be connected in Z notch or tongue and groove fashion. This may come in handy when creating connections in ceilings and especially where walls meet sloped ceilings. Their fabrication on site is comparably quiet and causes little to no debris or dust keeping a clean environment further helping the speed of installation and allowing seals and material adhesion to proceed without risk of contamination by dust particles or debris.

d. The Surface Finish in Steam Rooms

It is important to protect the steam room structures against exposure and migration of water vapor and water into any those structures by placing waterproofing and a sufficient vapor retarder as close to the inside surface of the steam room as possible. Insulation behind these protective layers work well to mitigate issues caused by movement of many of the building materials and structures which may react to temperature and its frequent or even abrupt change. Where steam rooms are tiled, it will come naturally that the tile, tile adhesive and grout, will be left exposed to temperature and are also subjected to water and water vapor absorption potential. This is because most tile and setting materials are, to varying extents, absorbing materials - whether due to their nature or production, or due to limitations in their installation method. Natural stones usually offer higher absorption rates than certain glass or porcelain tiles.

Many natural stones are easily affected by the steam room environment and offer potential for discoloration and can also contribute to and support the process of efflorescence occurring. Bond adhesives, such as certain epoxies, may be impervious in itself, but it must be assumed that they cannot be installed providing a 100% coverage under tile and on the next layer below. Neither can grout materials offer this protection, even if they are impervious epoxy materials, and even if they fill straightest grout lines between very large, rectified and low absorbing porcelain tile.

There always remains a risk that the potential seal and adhesion of grout to tile edge offers gaps. Do not rely on tile or setting material to function as a way of water or water vapor proofing. It remains, however, best practice and is important, to choose a most fitting combination of setting materials and surface finish systems that are made to endure in submerged and water vapor exposed, high temperature and abrupt temperature change environment and work with each other in this climate. A best practice for the choice of surface finish or tile includes choosing rectified, dense tile with lowest absorption rates (ANSI 137.1 rated for <.5% vol. absorption) and as large in size as possible. Rectified and large in size helps minimizing grout line exposure surface as well as it helps to align grout lines for a tightly packed fill. On the other end of the scale, Natural Stone is not recommended for use in a steam room. For safety in a wet area, the tile for the floor or stadium seating benches should provide the adequate coefficient of friction (0.42).

Adhesives and grout must also withstand the exposure the elements and climate, as well as aggressive cleaning and cleaning materials over time. They must remain unaffected in their adhesion qualities to substrate and tile, and not produce reactions such as efflorescence, which is a common side effect with cement based materials, when constantly exposed to water or water vapor pressure. Water moving through the construction layers may take on soluble salts and may deposit them when surfacing. Efflorescence is mostly known as a cosmetic issue as it causes such discolorations and deposit residues on surfaces. But it may develop into a functional issue. Trapped or continuously present sub-tile moisture expands when heated or continuously entering below the tile as vapor, applying stress to adhesive systems. Salts can also crystallize within the adhesive line, causing break down of the adhesive.

Many epoxy based bond mortars and grouts (ANSI 118.3), often also available as one product used for both setting and grouting the tile, have a good potential to help minimizing vapor migration into grout lines and between tile and setting bed surfaces over tile underlayment/vapor or waterproofing layers. They also have good potential to retain their bond strength over time but must be recommended for use in higher temperatures. They will not contribute to efflorescence and withstand aggressive cleaning better than most cement based setting materials. One disadvantage is the lack of flexibility which is natural to epoxy based materials. This might present an issue where tile is chosen that will expand and contract at higher rates in the steam room environment.

A better alternative to epoxy might be found within the range of setting mortars classified under ANSI 118.15. These thinset mortars are developed to work with tiles we particularly favor in steam rooms, including large format tile and glass tile. They are developed to endure under submerged applications and offer flexibility as most modified mortars do. They should be used in combination with solid epoxy grouts, however.

No matter the choice of tile and setting material, wedi recommends the use of expansion joints in all tile surfaces. The placement should be at perimeters and corners, where planes generally change, and every 8 ft. in either direction in large surface areas. Materials used for these joints must be fit for use in steam rooms. Many sealants may not handle the moisture/submersion, heat well.

The TCNA also stresses the proper design of steam rooms including placement expansion joints in tile, see Details EJ171 (refer to exterior application type as being most close to the application of steam rooms in terms of extreme exposure levels) for more details such as width and materials recommendations. When installing tile in steam rooms, please ensure all best practices for setting techniques and goals as outlined in the TCNA handbook are followed. The same is true with tile and setting materials' manufacturer recommendations. Of particular importance is that a coverage of between 95 and 100% of thinset and high bond strength between immediate substrate and back of the tile are achieved.

This requires setting over clean, flat, even, square and plumb surfaces which are best created and secured when at the framing or subfloor preparation state. Important is good thinset mortar transfer to the tile even if mesh backed (with a mesh safe in submersed applications and unaffected by alkalis present in mortars). Grout should be tightly packed. Setting materials must be given time to fully cure before a steam room is used. Ensure the manufacturers recommendations incl. for the mixing, installation and cure times are followed to the point.

e. General Product Requirements and Recommendations

Many of the challenges to structures and product, whether to be shaped on site or installed as manufactured, are pointed to in the sections above. Many of the very relevant recommendations were provided. However, it is supremely important the installer or planner of steam rooms chooses each detail of design, installation or product only after most thorough research and investigation into the fitness of such products or work product so they may endure in steam rooms. Equally important, each product must retain their properties and remain unaffected over time as they work in their placement within a system and attached to other product which may affect them (example: they expand or contract at different rates). Ensure each product and the entire concept will be vapor proof, waterproof, and will manage within the temperature range of variations, the climate and cleaning exposure climate.

The steam room will only work if all components work as a system. It is important the fitness is verified with manufacturers and they should warrant the product's performance within the system as planned. While manufacturers will not be able to warrant a steam room system where it includes other products, they can warrant that their product will be warranted if and when installed in a certain complete design.

f. Workmanship, Knowledge and Skill Level Needed

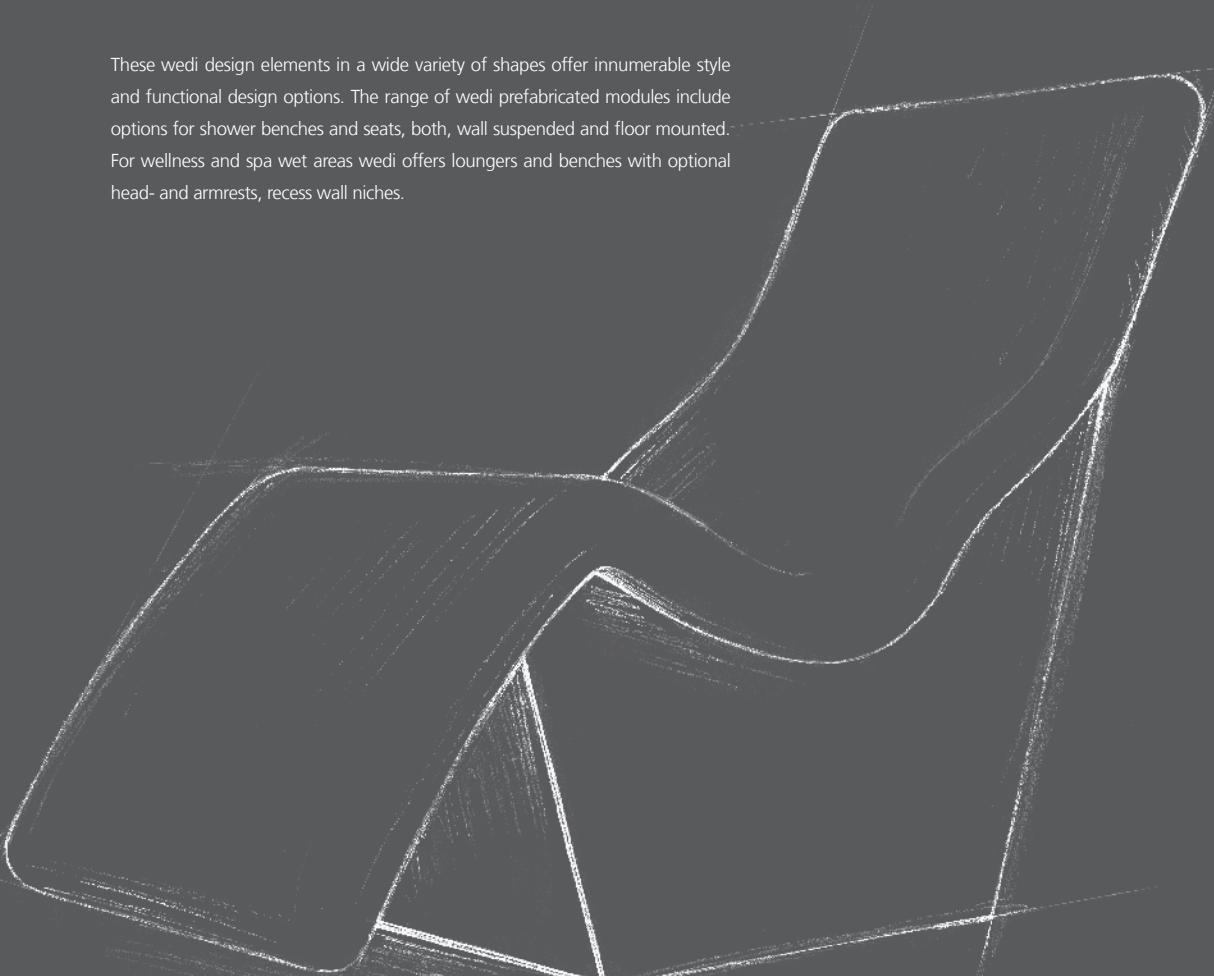
The installer and planner of steam rooms will have to meticulously verify not only proper design and product choice. The execution of the work on such installation is equally important and requires maximum attention to detail: Most importantly, the focus is set on eliminating any possibility of breaches or pin holes which would allow vapor to escape the room or migrate deeper than planned into any product or layers. This includes that particular attention must be paid to a vapor proof installation of all protruding equipment including lighting, sprinklers, possible vents, plumbing and shower fixtures, the steam inlet, the door assembly. These installations need to be sealed in vapor tight where the seal can connect with the room's vapor barrier so the vapor barrier forms a continuous layer. Such seals may not be deferred to topical applications on the tile level such as through sealing in escutcheons. This should be done too, but the vapor will also be present below the tile and therefore, it must be addressed right there. Accidental damage to water or vapor proofing must be avoided and checked. The proper installation is also a significant part of a wholesome steam room concept to work successfully and over time.

* wedi cannot guarantee or warrant specific recommendations made here as they pertain to non wedi product. We believe the statements made here to be best practices, and we also recommend to follow manufacturers recommendations for product performance, suitability and installation process, and to ask each manufacturer for warranty coverage applicable to a specific project design.

06

Prefabricated modules

These wedi design elements in a wide variety of shapes offer innumerable style and functional design options. The range of wedi prefabricated modules include options for shower benches and seats, both, wall suspended and floor mounted. For wellness and spa wet areas wedi offers loungers and benches with optional head- and armrests, recess wall niches.





wedi Sanoasa Shower Benches

wedi Sanoasa benches smart construction enables an unequal freedom of visual design; both the seating areas and the carrier elements can not only be positioned the way you like, but also their shapes and sizes can be modified to suit. The pre-sloped benches attach to shower wall and floor surfaces using wedi Joint Sealant or, where a gap opens to the floor due to a sloped shower floor, thinset is used to fill the gap and mesh tape is applied over the thinset application or floor to bench seam.



wedi Prefabricated Shower Seats and Benches

wedi prefabricated shower seats and benches install much quicker and easier than metal tray or concrete seats. Plus, they bond well to thinset mortar and are 100% waterproof due to the extruded polystyrene closed cell foam core. They will not cause efflorescence, discolorations or waterproofing issues as frequently observed with products including those requiring mortar fills. Now you can create the perfect waterproof seating solution for your shower. wedi Prefabricated Suspended Corner Seats do not require additional blocking installed in the framing. Their mounting brackets are fastened into existing wall studs. wedi's prefabricated suspended corner seats carry up to 350 lbs of weight once installed. All non-suspended seats are pre-sloped on their seat surface.



wedi Sanoasa Wellness Benches and Loungers & Sanbath Wellness Design Systems (custom and standard options)

wedi takes rejuvenation and relaxation to a whole new level in the bath. Our unique and elegant wellness elements create an unforgettable spa experience. There is no limit to the design possibilities wedi offers for a customized and peaceful bath.

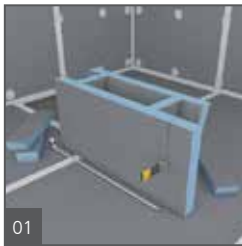
- Modular benches, loungers and design elements
- 100% waterproof and vapor retardant – wedi XPS foam.
- Insulating properties reduce vapor transmission pressure and save energy
- No need for framework support
- Broad variety of standard products and limitless custom fabrication possibilities
- Fast, clean and efficient installation through full prefabrication of modules
- Create your dream of a wellness oasis in any place



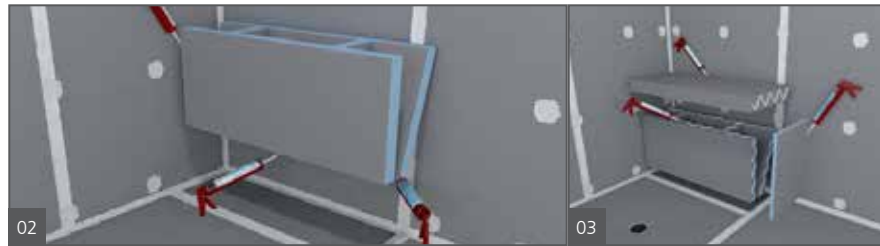
How to install wedi Sanoasa Benches 1-3

wedi Sanoasa Benches 1-3 offer great design solutions for smaller shower spaces and can be installed into newly built showers or as retrofits. They fit right in with wedi Shower Systems and may work in conventional shower systems as well.

The benches come in two parts, the top/seat and bench support. You'll find wedi Joint Sealant already included in the box and there are additionally optional accessories in the kit to allow for any sort of special situations you may run into in a project. There are three models that are available. The difference between models are the front finish and bench top: quarter round, square or slanted finish options. Each model can be installed with its top section's front smoothly aligned with the bench supports front, or have it overhanging the bench support.



01
Cut the bench support and seat to length using a knife or handsaw.



02
Dry fit the bench. Where the bench parts will make contact with a wall and floor, apply wedi joint sealant in a continuous 1/2 in. thick bead. Ensure the bead is applied in zig zag fashion to ensure good distribution of sealant for great contact and adhesion everywhere. Where the a wedi contact surface is greater than 2 inches wide, use thinset mortar (1/4 x 1/4 inch trowel) instead of wedi joint sealant. Ensure that structure is kept tight in position until sealant or thinset mortar have initially set. Ensure the wall/floor substrate is appropriate for the wedi joint sealant or thinset mortar to work.

Bench support and top are connected with continuous 1/2 inch beads of wedi joint sealant. Firmly press parts together and against the sealant or thinset adhesive as described in step 2. The seat is pre-pitched by wedi so water can run off towards the drain, later. The Sanoasa kit comes with 1/8 inch wedi building panel which may be used to close off an open side of the bench. Install these panels with wedi joint sealant. Cut the panels with a knife to adjust their shape to that of the bench.



04
Apply 1/2 inch beads of wedi joint sealant continuously over every seam and transition area. Use a putty knife to smooth the sealant so it covers 1 inch of the wedi product on either side of a seam or transition.



05
You may now start tiling immediately!



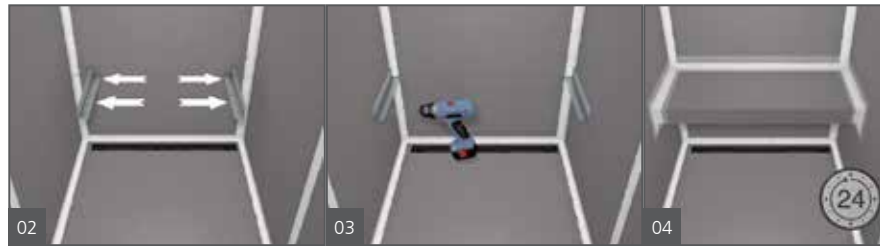
How to install wedi Sanoasa Bench 4

The Sanoasa 4 is a suspended bench that allows a design creating more space in any shower while adding seating comfort. The Sanoasa 4 is 3 1/8 in. thick and 47 1/4 in. long. The bench comes pre-sloped on its surfaces so water can safely run off to the front of the seat where it can move towards the shower drain instead of causing puddles on the bench tiles.

The Sanoasa 4 can be cut to a shorter length and made to fit between three shower walls where the bench connects. This bench is ideal for installation prior to tiling but can also be installed over existing tiled walls. In the latter case, there is a risk the waterproofing of the walls may be damaged by the Sanoasa fasteners which are difficult to seal like in most retrofit installations where fasteners penetrate through tile and waterproofing below the tile. This bench can carry up to 500 lbs. of load on its surface once tiled without creating a risk for cracks in grout or tile. The larger and thicker the tile and stone, the more it adds to stiffness and load capability of this bench. A minimum tile size of 4 inches should be used and tile should be a minimum of 1/4 in. thick.



01
Cut and dry fit the bench into the three wall opening in the shower. Dry fit with the two L shaped steel profiles loosely fitted onto the sides of the bench. Mark the outline of the bench where it will connect to the walls so you can see later where to apply wedi joint sealant.



02
03
04
Determine installation height and apply wedi joint sealant widely over the wall board area where the steel profiles will be installed. Press the steel profiles into position. Install steel profiles in level position.

Apply wedi fasteners through the steel profiles and wall boards into to framing spaced 16 in. o.c. apart.

Apply wedi joint sealant widely to all areas that will connect with the bench (all three walls and o both steel bracket surfaces). Insert the bench and press into the bed of sealant. Ensure the bench will stay in a tight position to allow the sealant to bond. Apply a 1/2 inch bead of sealant over and along all transition seams between wall and bench including on the underside of the bench. Finally, apply wedi mesh tape on all such seams. The mesh tape is later covered with thinset mortar. Allow wedi joint sealant 24 hours to cure.



05
After 24 hours, tiling can commence to include the underside of the bench.



How to install wedi Prefabricated Shower Seats and Benches

(Prefabricated and field fabricated)

Triangles made from wedi 2" (50.8 mm) Building panel may be used to construct and install tile ready, suspended corner seats. The wedi Building Panels may be single sheets or doubled up to 4" (101.6 mm) or more by adhering several triangle cut wedi 2" (50.8 mm) Building Panels using full contact application of a minimum 1/4" x 1/4" (6.4 x 6.4 mm) square troweled bed of modified thinset mortar or wedi Joint Sealant equally applied to the surface in 1/2" (12.7 mm) thick beads. The triangle seats are then sealed and adhered against wedi wall Building Panels using wedi Joint Sealant applied in 1/2" (12.7 mm) beads equally distributed over the contact surface. The seats should be pressed into position giving it no more than 1/8" (3.2 mm) of a slope to the front. The seats have to be kept under compression against walls for at least 20 minutes. More joint sealant is then applied in 1/2" (12.7 mm) beads over all seams top and bottom of the seat and troweled flat using a putty knife. Once the joint sealant has developed a skin after appr. 20 – 30 minutes, wedi mesh tape is finally applied in modified thinset mortar over these seams. The seat is now ready for tiling. Please note that the maximum seat size in this shape is limited to 18" seat length at both connecting (90° corner-) walls. Such field constructed triangle seats are approved for live and dead load of 250 lbs centered on the seat. Below you can see the installation of wedi's prefabricated triangle seats. They are designed to withstand a weight of up to 350 lbs centered on the seat.



01 Apply wedi Joint Sealant to the side of the mounting bracket that will be attached to the wedi Building Panel wall.



02 Evenly distribute wedi Joint Sealant with a putty knife until the whole contact area is covered.



03 Using a level, make sure you can achieve a slight 1/8" (3.2 mm) V 1 ft. (304.8 mm) pitch for the bench. You may slightly pitch the brackets or install these level and use wedi Joint Sealant as a wet shim.



04 Mount the brackets through the wedi Building Panel wall into the solid 2 x 4 wooden framework.



05 Using a putty knife, apply wedi Joint Sealant to the blue foam edges of the seat that will contact the wedi Building Panel wall and brackets.



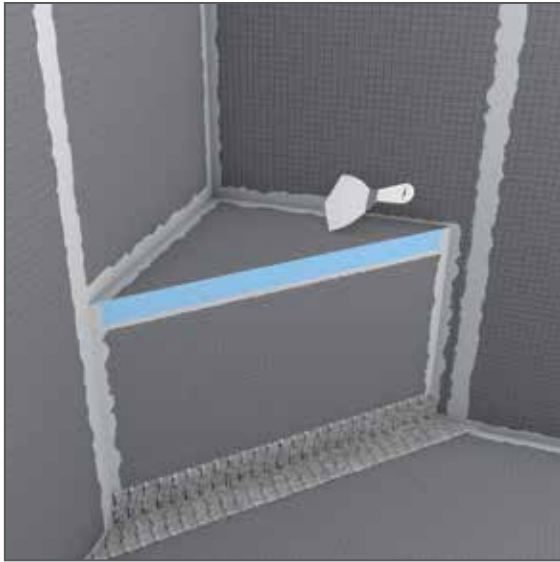
06 Press the seat element into position and apply a weight (i.e., tile box) so the sealant can set under bond pressure.



07 Apply wedi mesh tape to the transition joint between the seat element and the wedi Building Panel wall, seal off all seams to the wall using wedi Joint Sealant. Next, install wedi mesh tape over all transitions to the wall and cover with thinset mortar.

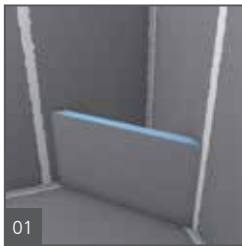


08 Apply Step 7 now to the underside of the seat element. Apply mesh tape and thinset mortar to the vertical seams as well.

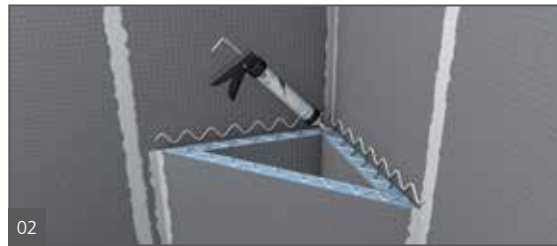


Building Custom Seats and Benches Using 1 1/2" (38.1 mm) or 2" (50.8 mm) thick wedi Building Panels

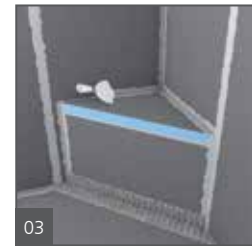
wedi offers prefabricated suspended or wall mounted seats and floor standing seats. Both may also be constructed on-site using wedi Building Panels. This is an ideal option that will perfectly accommodate your individual tile and design layout.



01 Measure and cut the bench pieces off a wedi 2" (50.8 mm) thick wedi Building Panel and dry fit. When installing a corner seat, the panel edges are mitered for a tight fit. To achieve a slope, the part's upper ends are cut down with a slight angle towards the front of the bench. Optionally, create a pitch using wedi Joint Sealant as a "wet shim". The wedi parts are adhered to the wall using thinset mortar or wedi Joint Sealant. Adjoining parts



02 are glued together using wedi Joint Sealant continuously applied along all foam edges of a panel part. Excess is spread flat over the seams using a putty knife. Where the part's backs meet the wedi wall, modified thinset mortar is used in a full contact surface bed. Once the bench is built, a final bead of wedi Joint Sealant is applied to safely seal all seams to the wedi wall. The vertical front part of the bench will show a small gap to the pitched floor. Fill with thinset mortar and alkali resistant fiberglass mesh tape by wedi, applied over this seam. Alternatively, benches and seats are offered as prefabricated units made by wedi. For longer or larger benches built from our 2" (50.8 mm) building panel, always install one spacer/support made of wedi 2" (50.8 mm) Building Panel every 18" (457 mm) in either direction. Over blue exposed foam edges, adhere a wedi Building Panel strip to foam using wedi Joint Sealant. This will create a cement based surface to adhere tile to it. Optionally, the blue foam may be covered with wedi Joint Sealant. The covering of the blue foam



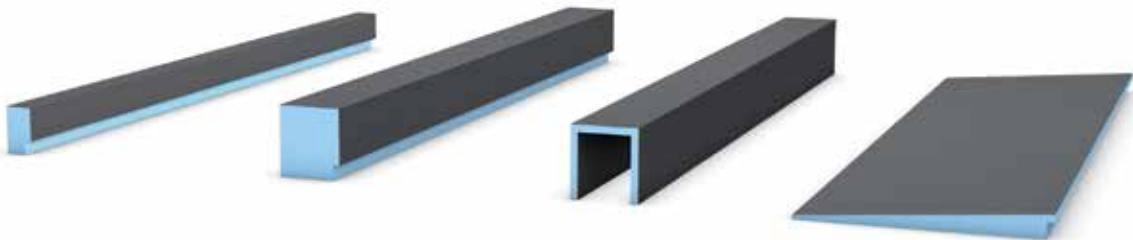
03 areas is not necessary, where tile is used that will overlap and cover the blue area with no more than 50% of its size. Such larger tile is thinset adhered to seat including the foam surface.

The maximum weight allowance on seats or benches built with vertical supports placed every 18" (457 mm) o.c. is 500 lbs (227 kg).



Curbs and Ramps

wedi curbs and ramps are available in several options for shower entry designs where transitions are required, and can be installed with wedi Fundo shower bases, as well as conventional mortar bed systems. Waterproof and versatile, wedi curbs and ramps may be tiled before glass doors, panels or glass blocks are installed. Epoxy glue is recommended instead of screw fasteners when installing shower door tracks. The solid curb options are slightly sloped on the top surface so water will run back into the shower. Solid curbs carry a weight of up to 280 lbs/ft. once tiled. The wedi ramp is ADA compliant.





Prefabricated Shower Niches

wedi prefabricated shower niches are fabricated from wedi 1/2" (12.7 mm) Building Panels for strength and come in five different size options. They are the perfect fit for all your shower necessities. wedi shower niches install quickly and safely, and integrate flush into the wall panel assembly with wedi fasteners and wedi Joint Sealant. Shelves, included in some models, are flexible and can be installed exactly where they will fit your design best.





Installation of wedi Prefabricated Shower Niches

wedi offers prefabricated shower niches in various sizes and designs. These can be installed out of the box and fitting into standard 16 in. o.c. framing. It is possible to customize these niches by carefully and cleanly cutting these niches twice and removing a middle section before sealing both niche end parts back together. It is also possible to frame out for custom niches and cover such framed areas with wedi building panel, safely sealed at all connections and seams. Some of our niche designs include tileable shelves (2 in. thick) which can be positioned inside the niche as needed.



01 Measure and cut out a space of the existing 1/2 in. wall panel in an area of the size of your wedi niche so that the niche flanges can rest on the 2 x 4 studs (16 in. o.c.) on both sides and line up flush with the surrounding backer board or drywall panels. Apply a bead of wedi Joint Sealant onto the exposed stud, as well as along the inside edges of the wall panel.



02 Insert the wedi Niche into the opening. Apply a bead of wedi Joint Sealant along the outside seam and smooth out with a putty knife to cover and waterproof the seam.



03 Insert the wedi Niche into the opening. Apply a bead of wedi Joint Sealant along the outside seam and smooth out with a putty knife to cover and waterproof the seam. Once the niche is fitted and sealed into the opening, re-apply wedi fasteners in a wedi building panel wall assembly. Apply wedi joint sealant over seams and fastener location. Smooth sealant flat with a putty knife.

i If a wedi Building Panel is used, it is recommended to use 2 wedi washers and fasteners in the transition seams between the niche and wedi panel to create a 100% flush transition. The washers are then water proofed using wedi Joint Sealant. If the niches are installed into a non waterproof assembly made from non-wedi building panels please use only the wedi joint sealant to adhere the niche to the framing by applying a 1/2 inch bead over the length of the framing studs where the niche makes contact.

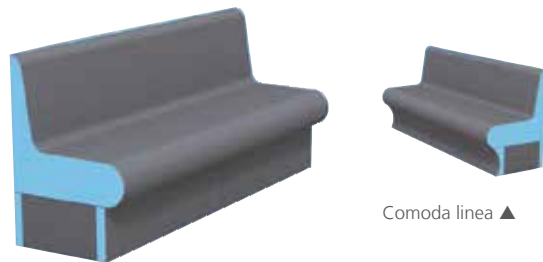
wedi Sanoasa® wellness benches & Loungers

Sanoasa benches are available in so many different designs, meaning that they can be built into almost any seating combination. Whether we are talking about benches, corner constructions or clean end solutions, once individually tiled, they set the scene in all bathrooms and wellness areas. wedi Sanoasa wellness benches are most often used inside and outside of steam rooms.

- **Sanoasa Comoda Benches:** Available in many different designs so you can create any seating combination you can imagine. This bench comes in two main versions. The first version comes with a seat area featuring a slightly lowering seat area towards the back rest to enhance comfortable use. The second version features a slope on the seat area providing a 1% slope and water run off to the front of the seat. This version is often used in steam rooms and showers, making sure that water will run off the seat area and towards a floor drain. This design system is offered with corner elements or base units with a curved finish.
- **Sanoasa Bellina Benches:** These backless benches are ideal for creating a seamless & flush transition to any wall. It features a slope on the seat area providing a 1% slope and water run off to the front of the seat. It is often used in steam rooms and showers, making sure that water will run off the seat area and towards a floor drain. This design system is offered with corner elements or base units with a curved finish.



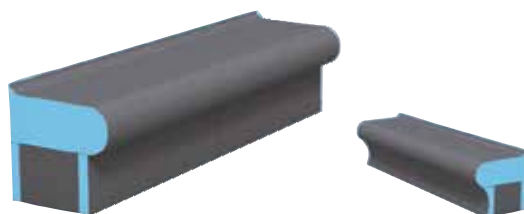
Comoda ▲



Comoda ▲



Bellina ▲



Bellina ▲

Bellina linea ▲



wedi Sanoasa® Shine

Exclusive wellness loungers with an extravagant design coating. For the sophisticated private bathroom or public wellness facility both internal and external areas the wedi Sanoasa Shine range offers comfortable loungers in five different shapes. The high-quality varnish, applied in a multi-layer process, can be produced in approx. 200 UNI colours (RAL) or with a mother-of-pearl effect, makes each lounger a refined designer furniture element. The surfaces are seamless and are therefore particularly hygienic and easy to maintain.

The best thing: they can be used as soon as they've been set up – without any installation effort. Thanks to their low weight, they can be re-positioned as and when required.



wedi Sanoasa Shine lounger 1



wedi Sanoasa Shine lounger 2



wedi Sanoasa Shine lounger 3

Approx. **200**
UNI or
mother-of-
pearl colours



wedi Sanoasa Shine lounger 4



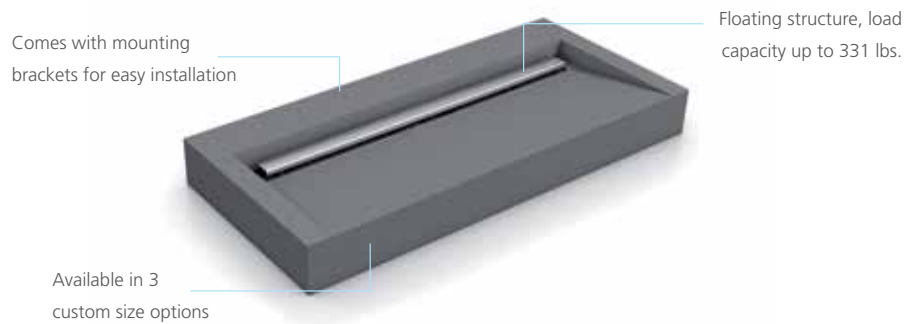
wedi Sanoasa Shine lounger 5





wedi Sanbath® Wash Basin

The wedi Sanbath Wash Basin offers an individual, customized wash basin with line drainage (single, double or in a row). Available with a maximum depth of 24" and with wedi drains ranging from 12" to 43". The drain is 304 stainless steel (standard, exclusive or tileable).





wedi Custom Wellness & Spa Design Solutions

Starting a new custom project, residential or commercial steam room? Do you need custom loungers? From idea to installation, you have our promise wedi will support you right from the start. The moment you contact us, our team springs into action. We generate custom CAD drawings based upon your ideas and plans. We produce custom products fabricated from impermeable extruded polystyrene foam material exclusively for steam showers and wetrooms. We test all the assemblies to ensure everything works flawlessly before we supply you with all the components, ready to install. We understand products are just part of the project. That's why we create and work in tandem with your lighting concepts, heating systems and preferred shower technologies.

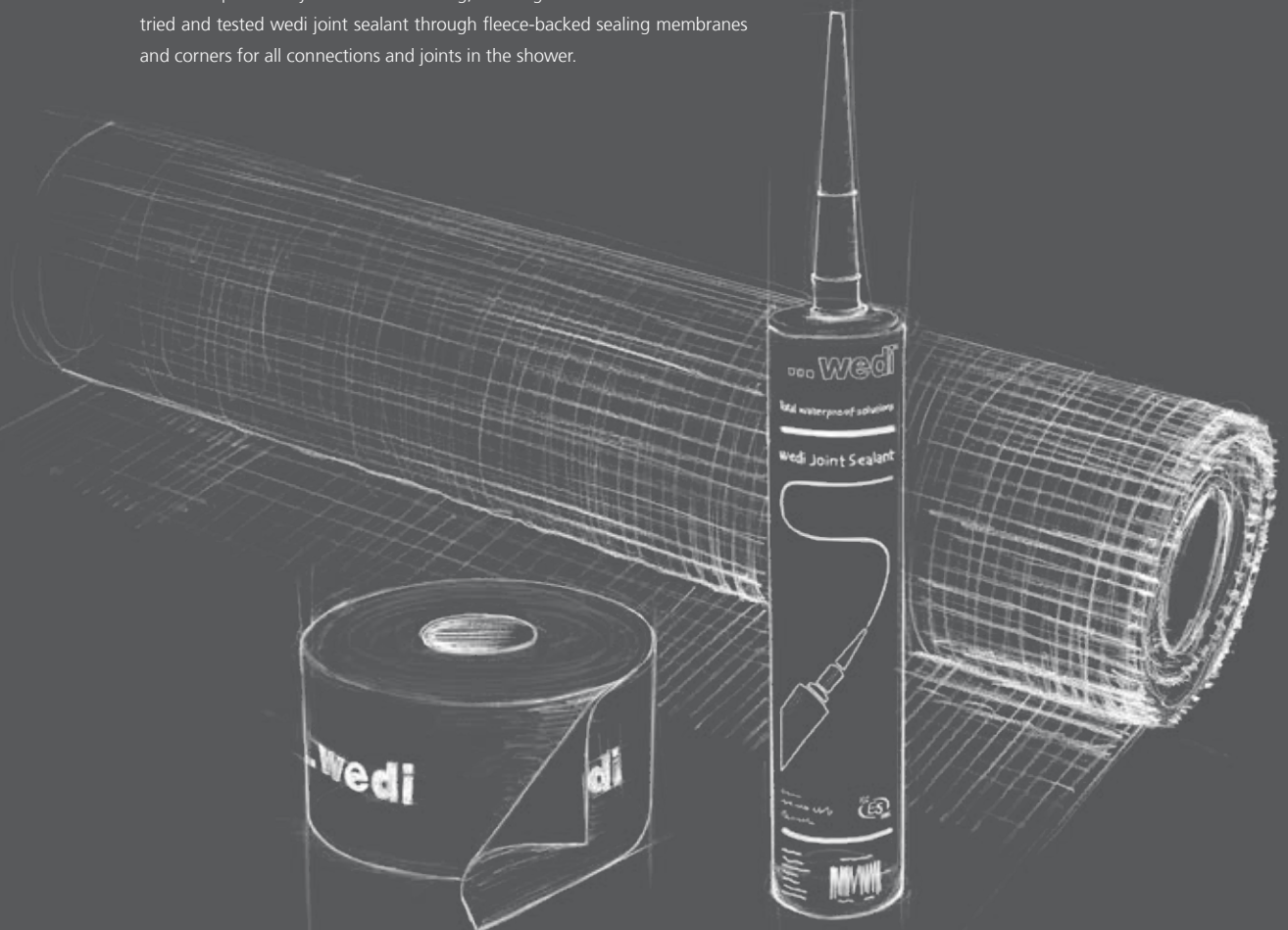
wedi is at your side – in all areas, at all times.

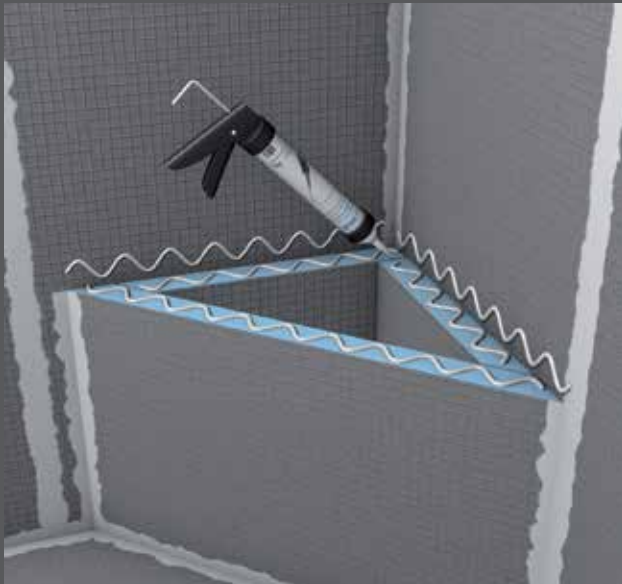
- **Your idea** – As you envision your wellness concept, contact wedi and we can help bring your idea to life.
- **We plan together** – wedi provides integrated project planning to ensure all components, shower technologies, drains and supply pipes are incorporated into your vision and unified for proper performance.
- **Made-to-measure products** – With your approval, we produce solutions that fit your specifications and requirements perfectly. Then we assure the system measures up in terms of performance through to trial assemblies at our factory all prior to shipping.
- **On time delivery** – We deliver all prefabricated components on time and in their entirety, with complete step-by-step assembly instructions so you can take your idea and bring it to life!

07

Installation accessories

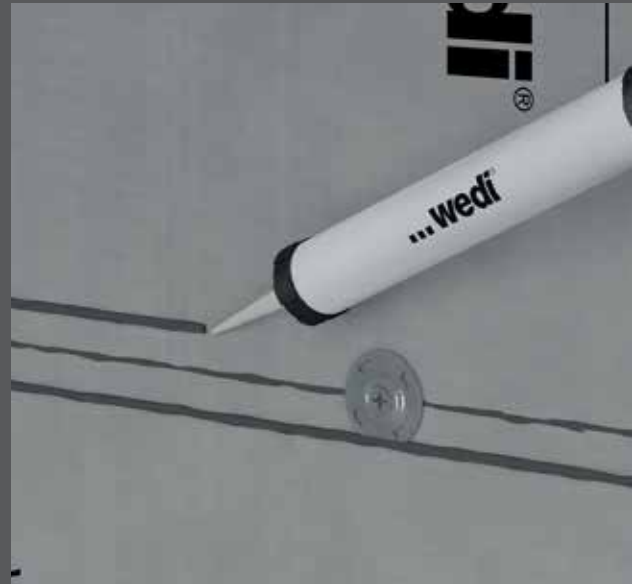
Quick, high-quality and safety guaranteed. The versatile range of wedi accessories offers practical system aids for sealing, bonding and installation. From the tried and tested wedi joint sealant through fleece-backed sealing membranes and corners for all connections and joints in the shower.





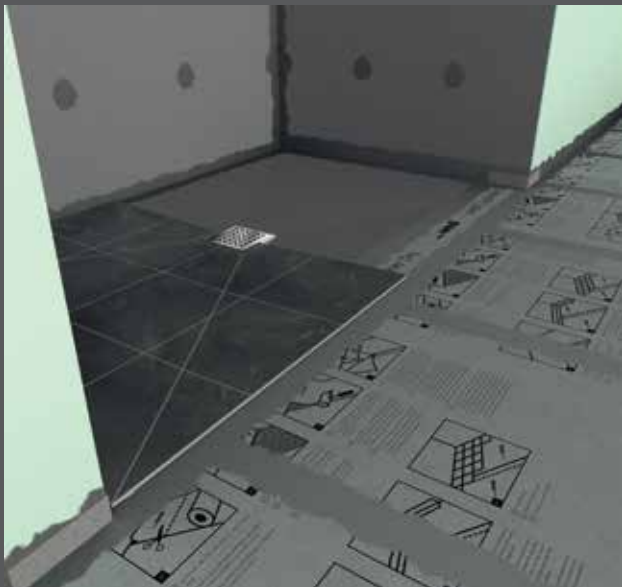
wedi Joint Sealant

wedi Joint Sealant is indispensable in regular wedi shower assemblies to seal and reinforce seams and connections, as well as waterproof fastener points. No additional taping needed! It is a flexible sealant and construction adhesive that creates strong connections between wedi assembly parts without additional tape reinforcement. Typically used for standard wedi shower installations.



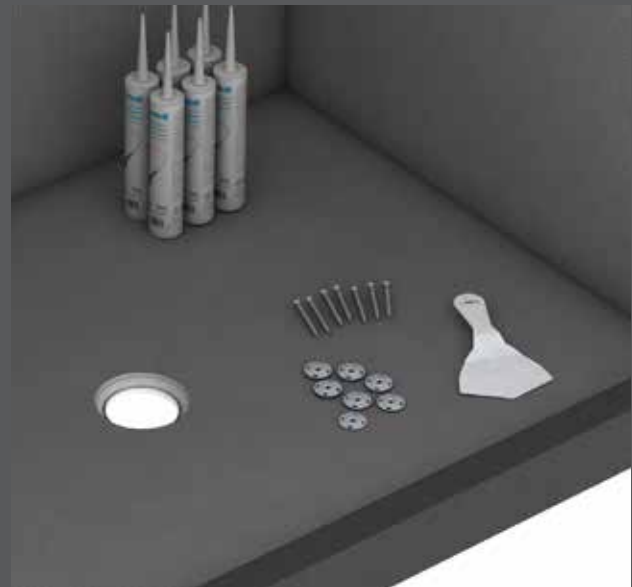
wedi 620 sealant

wedi 620 sealant is indispensable in combination with wedi Vapor 85 and wedi Subliner Dry. It is a flexible sealant that offers vapor tight performance. It is used with a wedi sealing tape and Subliner Dry to create strong connections in wedi assemblies. Typically used for wedi Vapor 85 steam shower installations.



wedi Subliner Dry

The wedi products within the group of Subliner Dry Systems offer specific benefits in installations and applications complementing our traditional wedi Building Panel and Shower Systems. Subliner Systems are Sheet Membrane products, each designed to provide sound and thin profile underlayments for tile. Each of the system components provide water- and vapor proofing as needed over common cement or fiber cement backer boards or mortar beds or other comparable and suitable traditional structures for tiled applications in wet rooms. The Subliner Dry Sheet Waterproofing Membrane and its Subliner Accessories and components are sealed and connected with 2" (50.8 mm) wide membrane overlaps. In between, wedi Sealant 620, a specialty sealant, is used to water- and even vapor proof these connections.

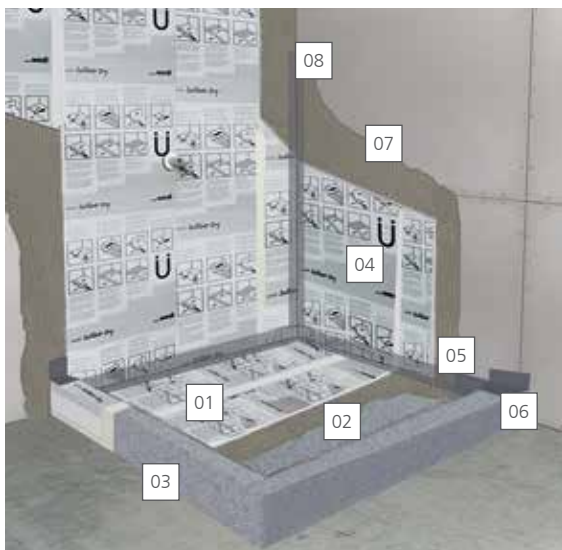


wedi Fastener Kits and Systems

Safe fastening systems have to be up to the task in a wedi building panel wall or floor application. The wedi washer and screw combination systems are made of materials that survive in alkaline and wet environments although they are sealed over in most applications to waterproof their penetrating wedi building panel. The strength, length, diameter and gauge of wedi screws and washers, and their placement in the installation, is by design to support wedi Building Panel carrying its maximum the maximum tile load, safely and over time.

wedi Subliner® Dry

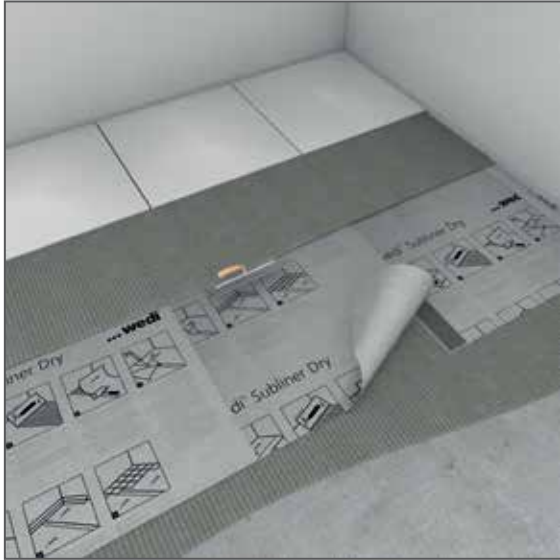
The wedi Subliner Dry System includes Subliner Dry Sheet Membrane, Sealing Tape, Prefabricated Outside and Inside Corner Tapes as well as various Sealing Collars to waterproof entire structures, especially in shower and steam room construction. wedi Subliner Dry is well suited for sealing measures over pre-existing wall or floor underlayment including drywall. Use Subliner Dry in combination with ceramic tiles, slabs, and natural cast tiles for indoor wall and floor areas. Especially strong performance in steam showers/rooms due to its unique Vapor Resistance rating of 0.09 WVTR/Perms as tested using ASTM E96, method E. The Subliner Dry is a strong membrane yet very pliable. Installation steps and measuring and cutting grid-lines are printed on its surface for fast working. So that the product's performance properties also work out in a system application, the Subliner Dry System includes many accessories including also the wedi Sealant 620 to treat all seams in these installations and water- and vapor proof as a system. The wedi approach to sealing sheet membrane seams compares to traditional approaches where thinset mortar is applied between sheets at seams. While the sheets may be waterproof in such projects, the thinset taped seams cannot reasonably be expected to waterproof and protect the substrate. The thinset will absorb water and allow its passage too.



Installation Over Mortar Bed Showers / On Walls and Shower Floor

- | | | | |
|----|--|----|-------------------------|
| 01 | wedi Sealant 620 | 05 | Inside Corner Seal |
| 02 | Bonding Flange Drain | 06 | Outside Corner Seal |
| 03 | Mortar bed structure with curb | 07 | Modified thinset mortar |
| 04 | Subliner Dry membrane in modified thinset mortar attached to primed drywall construction | 08 | Sealing Tape |

! wedi Sealant 620 is used to waterproof all overlaps and connections.



wedi Subliner® Dry
Installation on Floors or other suitable,
non waterproof underlayments or
substrates



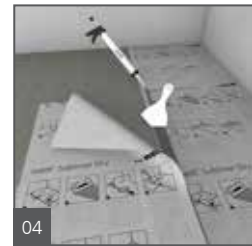
01 Lay out wedi Subliner Dry and cut to size using a knife or scissors.



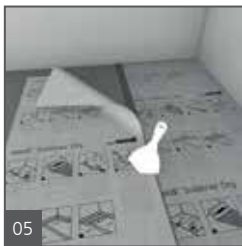
02 Apply thinset mortar to the prepared subfloor using a 1/8 x 1/8" (3.2 x 3.2 mm) or 1/4 x 1/4" (6.4 x 6.4 mm) notch trowel.



03 Insert wedi Subliner Dry with the printed side facing upward and press on with a rubber roller or wooden float. Remove airpockets and other foreign particles from below the sheets.



04 The sheets must overlap 2" (50.8 mm) at joints/transitions. Leave these overlapping areas free of any thinset and use tape to keep them folded upward and/or clean. Once the thinset has cured, apply wedi Sealant 620 as a full bed onto the lower mat's seam connection area and press the top overlap flat into the wedi Sealant 620.



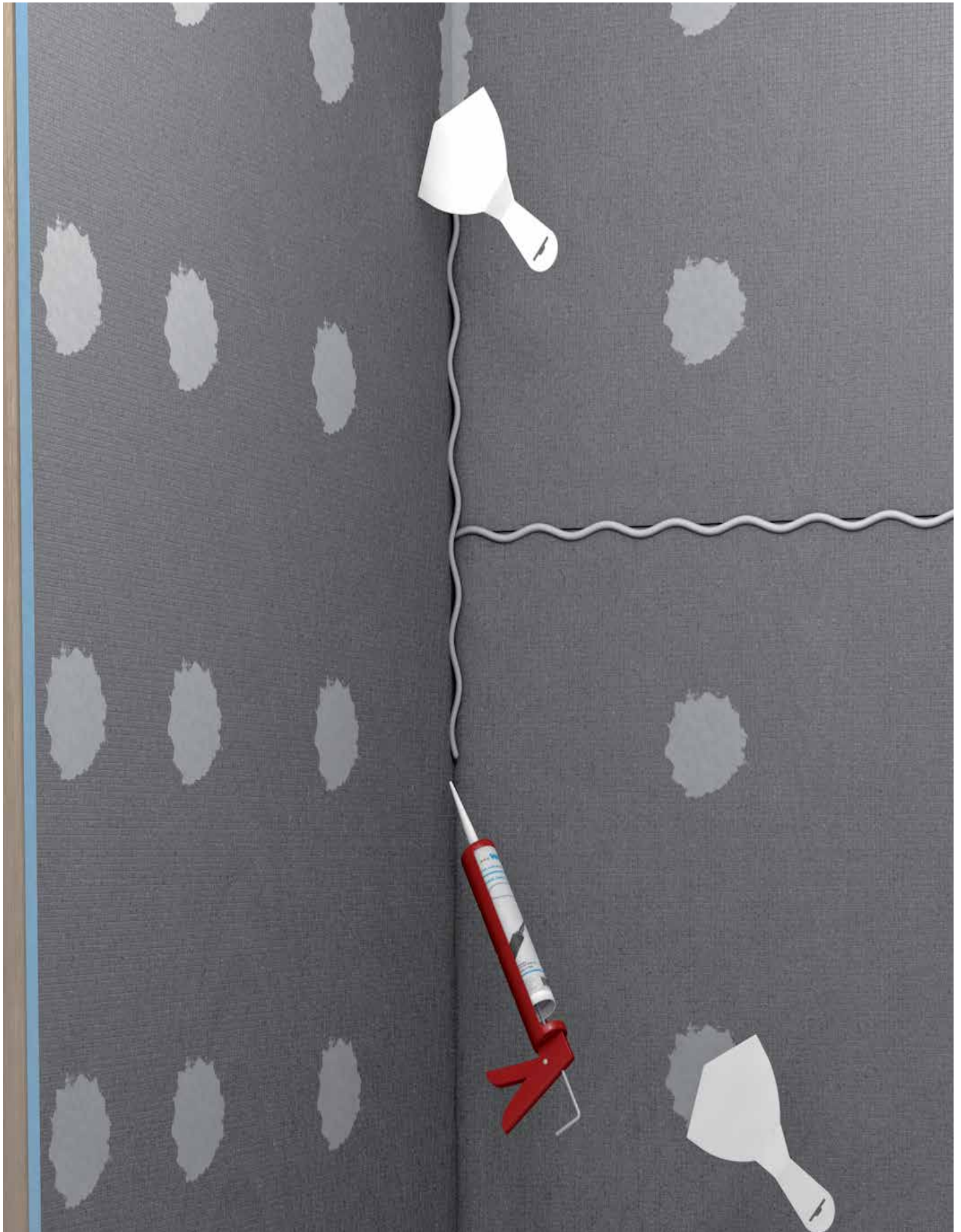
05 Spread flat all wedi Sealant 620 using a putty knife. Cross joints should be avoided.



06 In complete wet rooms, wedi recommends to flash Subliner Dry up the wall by 2" (50.8 mm) where it is still invisible behind baseboard tile or wood applications.



07 Start setting tile once wedi 620 Sealant has been allowed to cure for 24-hours. Exposure to water is possible after 48-hours providing that the wedi 620 Sealant is dry to the touch. The wedi 620 Sealant is moisture curing and may require extended cure times in dry and cold climate, or when installed below epoxy setting materials and/or larger format, dense tile.



wedi Joint Sealant

wedi Joint Sealant is a flexible sealant and construction adhesive that creates strong connections between wedi assembly parts without additional tape reinforcement. Used for standard wedi shower installations with the wedi Fundo Primo, wedi Fundo Ligno and wedi Fundo Riolito. This would include the drain assembly, building panel installation and the channels, seams and fasteners. Used for pre-made benches and benches constructed from 1.5 in. to 2 in. wedi Building Panels.

wedi Joint Sealant is indispensable in regular wedi shower assemblies to seal and reinforce seams and connections, as well as waterproof fastener points. No additional taping needed! wedi Joint Sealant is a single component Silyl Modified Polymer (SMP) for use in wedi product system installations as specified in installation manuals. The product is especially formulated for high green strength (high immediate internal strength), adhesion in wet and alkaline environments, and permanent flexibility. The product forms strong connections between wedi components and provides watertight seals on and in joints and seams, and allows for dissipation of stress caused by shock, vibration or thermal movement.



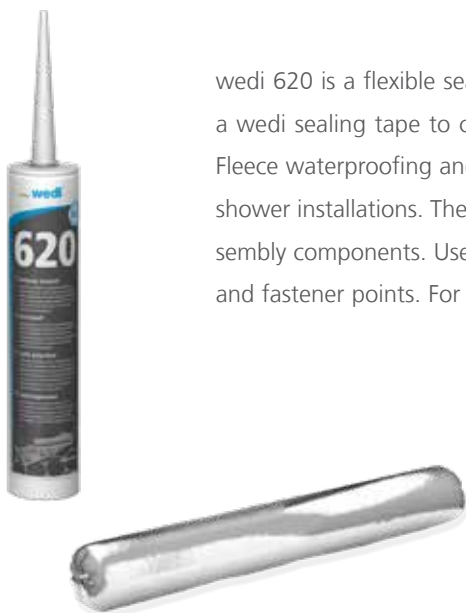
wedi Sealant 620

wedi 620 is a flexible sealant offering vapor tight performance. It is used with a wedi sealing tape to create strong connections in wedi Subliner Dry Sheet/Fleece waterproofing and Vapor 85 assemblies. Used for wedi Vapor 85 steam shower installations. They are installed using the wedi 620 Sealant between assembly components. Use to waterproof and affix wedi sealing tape over seams and fastener points. For use with all wedi Subliner Dry products (includes wedi

inside/outside corner sealing tape, wedi waterproof sealing tape, wedi Vapor 85 patch kit for fastener locations, and wedi Subliner Dry mats for seams and overlaps. **Note: Thinset mortar is also used in the installation of wedi Subliner Dry. See installation instructions for more information.

wedi Sealant 620 is indispensable in combination with wedi Vapor 85 and wedi Subliner Dry. wedi 620, unlike wedi joint sealant, is not a

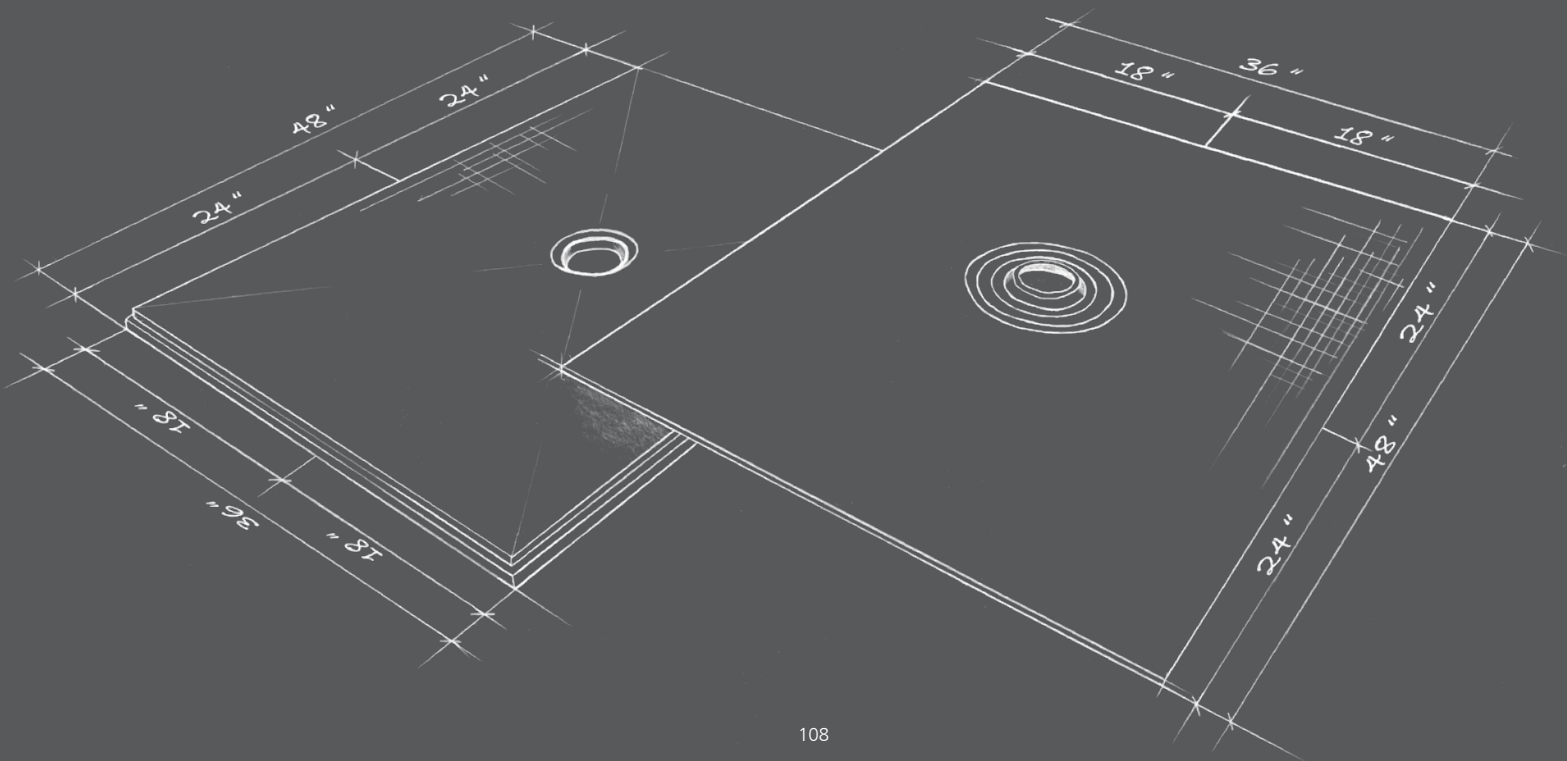
standalone construction adhesive. Where wedi 620 is used to adhere, connect and seal assembly parts, it needs to be used in combination with wedi Subliner Dry sealing tape reinforcing all seams and joints.



08

Technical data

The world of wedi systems contains a multitude of individual elements which can be variably used and modularly expanded. So that you can plan purposefully, you will find an overview of third party product testing, building code approvals and certifications, as well as product sizing and dimensions useful in planning project designs, specifications, and installations.





Technical Properties

Technical Properties ■ wedi Systems

Properties & Test Methods Value (wedi Building Panel and Fundo Shower System Components)		
ASTM C 578 *	Standard Specification for Rigid, Cellular Polystyrene	Compliant
Thermal Conductivity *	75°F (25°C) - ASTM C518	0.23 Bbtu in/hr F
R-Value *	75°F (25°) - ASTM C518	4.3hr ft. 2 F/Btu/in (R Value for 1" wedi = 4.3)
Tensile Strength ***	ASTM C297	65 psi
Shear Strength *	Under conditions required in ANSI A118.10-1999	28 day Shear Strength: 95 psi 84 day Shear Strength: 100 psi 100 day Shear Strength: 98 psi
Waterproof ***	ASTM D4068 / ANSI A118.10-1999	Passed
Waterproofness of Assembly ***	ASTM E331	Passed, wedi Fundo Kit assembly (complete system)
Water Vapor Transmission ****	ASTM E 96-2016	Permeance/Perms 0.03 and WVT (grains/h x ft²) 0.05
Capillarity ***		0
Fungus / Bacteria Resistance ***	ASTM G21	Passed, No Growth
Flexural Strength *	ASTM C947	627 psi
Robinson Floor Test *	ASTM C627	Heavy duty commercial use, passed *
Fastener Pull Through *	ASTM C473	Wet 131.8 lb./Dry 196.2 lb.
Temperature Limits *		-58 / +175° F
Freeze & Thaw *	ASTM C666 - 25 Cycles	No disintegration/change
Accelerated Aging *	AC 71 - 25 Cycles	No disintegration
Linear Variation ***	AC 159/ASTM 1037-39	Passed, less than 0.07%
Surface Burning Characteristics *	ASTM E84-16 (NFPA 255, ANSI / UL 723, UBC 8-1) Tested as required without tile on Building Panel surface	Flame Spread Index (FSI): 20 Smoke Developed Index (SDI) : 70 Classification: Class A
Floor and Trench Drain Compliance **	ASME A112.18.2	Passed, Compliant (ICC PMG 1189)

* wedi Building Panel tested

** wedi Fundo Floor Systems tested

*** Entire wedi shower system tested

**** "Vapor 85 assembly incl. seams". Test standard is ASTM E 96 Method E at 100 F* and 90 % R.H.

* Consult wedi for proper subfloor, tile, setting materials choice to design heavy duty commercial use floor surfaces.

Weight for wedi Building Panels	Width	Length	Thickness	Weight
	48 in.	60 in.	1/4 in.	13.9 lb.
	48 in.	60 in.	1/2 in.	14.4 lb.

Approvals & Certificates				
Approvals and certificates applicable to entire Fundo Shower System incl. wedi Building Panel	City of New York, MEA 912-52-SM	Fundo Shower Systems & Building Panels: ICC PMG 1189 (for USA and Canada)	Meets all applicable ANSI/ISO Standards incl. ANSI 118.10 and IAPMO P5106	TCNA handbook recognized for wall, floor, countertop, & more applications
	City of Los Angeles Approval	BBA (British Board of Agrément)	DIN EN ISO 9001	CE marked
	Diverse State Approvals			
	SAI Global Watermark Certified (Australia & New Zealand)			
	Codemark Certified (Australia & New Zealand)			

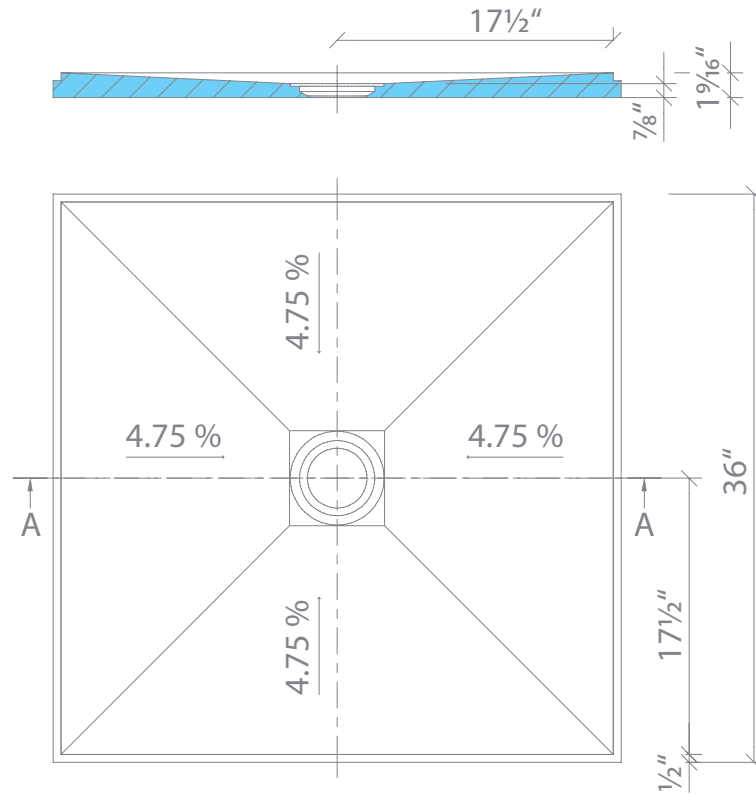
Environmental Consideration
Contains no unbonded fire retardants like HBCD (Hexabromocyclododecane) which has been banned in Canada and is a toxic substance of high concern with the US EPA.

ICC-PMG 1189 Report ■ National Building Code Compliances

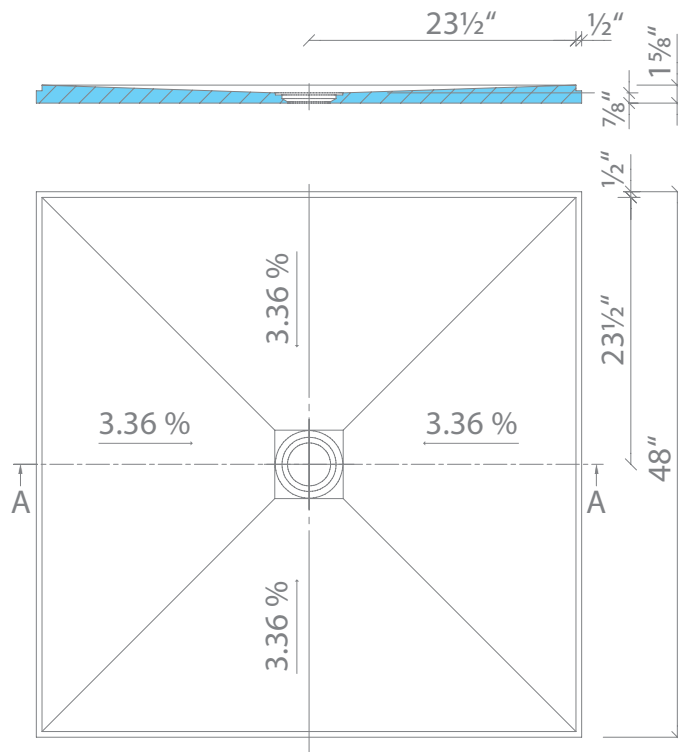
WEDI FUNDO SHOWER SYSTEM AND TILE BACKER BOARD UNDERLAYMENTS	
CSI	DIVISION: 22 00 00 – PLUMBING Section: 22 40 00 – Plumbing Fixtures (Shower System Kit)
Product certification system	The ICC-ES product certification system includes testing samples taken from the market or supplier's stock, or a combination of both, to verify compliance with applicable codes and standards. The system also involves factory inspections, and assessment and surveillance of the supplier's quality system.
Product	wedi Fundo Shower System and Tile Backer Board Underlayments
Listee	wedi Corporation ■ 1160 Pierson Drive, Batavia, IL 60510 www.wedicorp.com
Compliance with the following codes	2021, 2018, 2015, 2012 and 2009 International Plumbing Code® (IPC) 2021, 2018, 2015, 2012 and 2009 International Residential Code® (IRC) 2021, 2018, 2015, 2012 and 2009 International Building Code® (IBC) 2018, 2015, 2012 and 2009 National Standard Plumbing Code® (NSPC) 2018, 2015, 2012 and 2009 Uniform Plumbing Code® (UPC)* 2015, 2010 and 2005 National Plumbing Code of Canada** * Uniform Plumbing Code is a copyrighted publication if the International Association of Plumbing and Mechanical Officials ** National Plumbing Code of Canada is a copyrighted publication of National Research Council Canada
Compliance with the following standards	ANSI A 118.10-2014, Load Bearing, Bonded, Waterproof Membranes for Thin-Set Ceramic Tile and Dimension Stone Installations ASME A 112.6.3-2016, Floor and Trench Drains ICC-ES EG 159, Evaluation Guideline for Composite Backer Board (Approved Dec 2004) ASTM E 96-2016, Standard Test Methods for Water Vapor Transmission of Materials ASTM E 331-00(R16), ASTM E331-00(2016) Standard Test Method for Water Penetration of Exterior Windows, Skylights, Doors, and Curtain Walls by Uniform Static Air Pressure Difference ICC-ES AC 71, Acceptance Criteria for Foam Plastic Sheathing Panels Used as Water Resistive Barriers (Approved Feb 2003, Ed Revised Nov 2018) IAPMO PS 46-2012, Field-Fabricated Tiling Kits IAPMO PS 106-2015e1, Tileable Shower Receptors and Shower Kits
Identification	Packaging label for each system shall include the manufacturer's name or trademark as well as the ICC-ES PMG certification mark.
Installation	The wedi Fundo Shower Systems shall be installed in accordance with the manufacturer's published instructions and the applicable code(s). The wedi Fundo Shower system components shall be assembled and can be customized in the field. When provided drains must comply with ASME A112.18.2/CSA B125.2 as applicable. The wedi pre- sloped, ready-to-tile shower bases may be used in lieu of a CSA B45.5/IAPMO Z124 plastic shower receptors or any liner based shower installations. The wedi drain units do not require weep holes.
Listed Models and Characteristics	The wedi Fundo Shower Systems consist of the following: a) The wedi waterproof Fundo show bases are waterproof, pre-sloped, ready-to-tile floor units. The shower bases with linear and point drainage include factory sealed parts integrated into the floor bases and can be installed with or without curbs in recess, barrier free installations. b) The wedi waterproof building panels which are engineered as a general purpose backer board and underlayment for tile as well as an integral part of the Fundo shower system and consist of a rigid extruded polystyrene foam covered on both sides with a cement-based resin surface and rein- forcing mesh for durability and bond performance with tile adhesives. c) the wedi Vapor 85 Building Panel which may be used with or without wedi shower systems. It is a specialized building panel featuring the original wedi Building Panel but with its vapor exposed side protected by wedi Subliner Dry. The wedi Vapor 85 was tested to ASTM E96 Procedure E as a com- plete assembly with the wedi 620 joint sealing membrane and wedi Subliner Dry sealing tape over seams and fastener points and was found to have a perm rating of 0.03 perms which meets the permeance rating requirement of 0.5 perm or less and can be used in continuous use steam shower/ room applications without additional vapor retarders in accordance with Tile Council of North Amer- ica (TCNA) 2014 Handbook for Ceramic Glass and Stone Tile Installation (SR613-14 and SR614-14). d) The wedi waterproof Fundo Shower system accessories which may include the following water- proof components: wedi pre-sloped curbs, wedi niches, wedi seats, wedi fasteners, wedi drain cover plates, wedi sealants, wedi Fundo drains, wedi Subliner sheet waterproofing membrane system and tapes, with wedi Subliner Dry Bonding Flange drain, wedi Subliner Dry Tub Sealing Tape. The wedi Fundo family line includes the following: Primo, Riolito Neo, Riolito Neo Modular, Riofino, Discreto, Ligno and OneStep. The wedi Fundo Shower system components and assembly for shower installations were proven to be waterproof, water-resistant, and mold resistant when tested in accordance with A118.10-2014 and ASTM E331. The wedi drains have found to comply with with ASME A112.18.2/CSA B125.2 and do not require weep holes.
Conditions of Listing	1. The wedi Fundo Shower Systems shall be installed in accordance with the manufacturer's published instructions and the applicable code(s). 2. The wedi Fundo Shower Systems are manufactured by wedi GmbH, in Emsdetten, Germany and in Batavia, Illinois, USA under a quality control program with annual surveillance inspections by ICC-ES.

wedi Fundo Primo® | Square and Rectangular Shower Bases

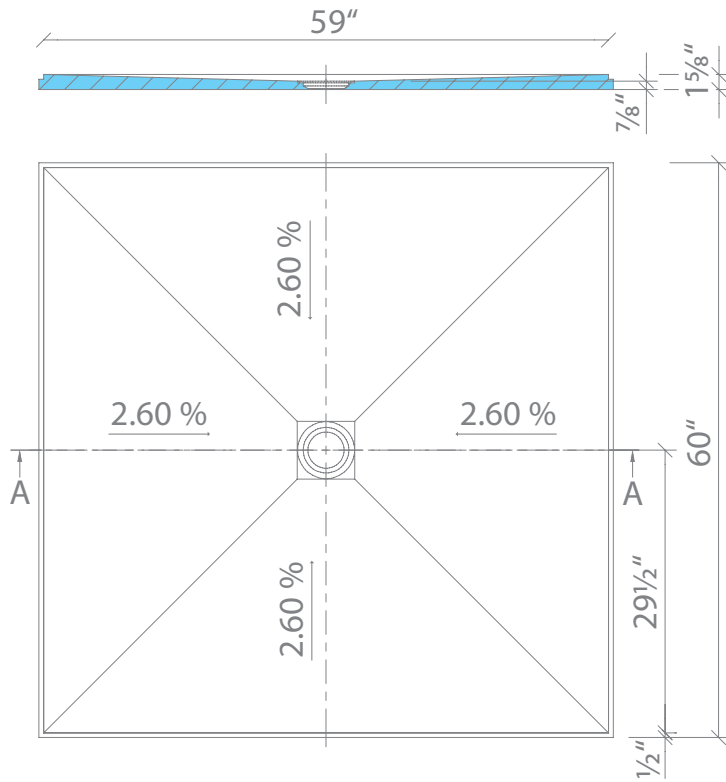
wedi Fundo Primo, square, 36" x 36" incl. drain



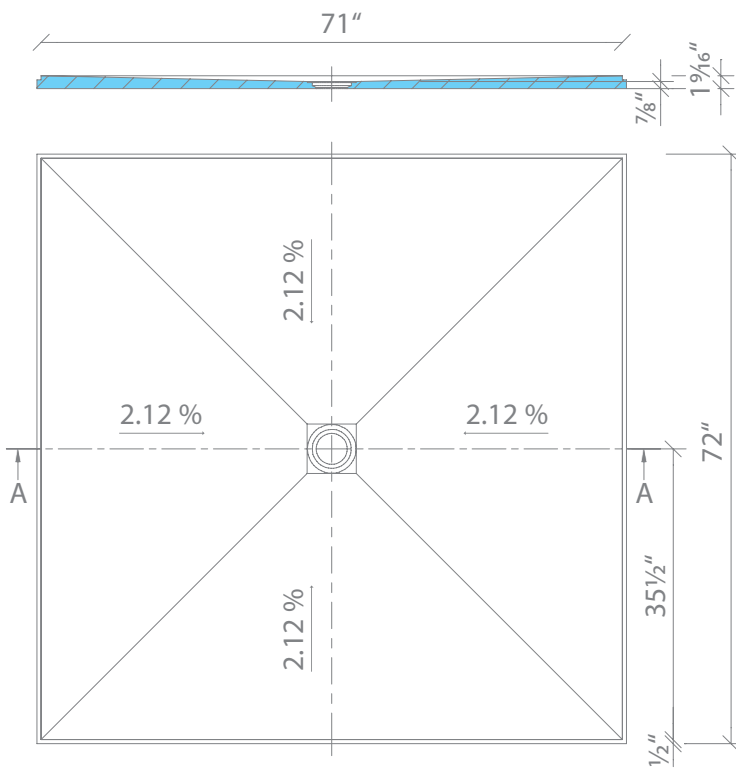
wedi Fundo Primo, square, 48" x 48" incl. drain



wedi Fundo Primo, square, 60" x 60" incl. drain

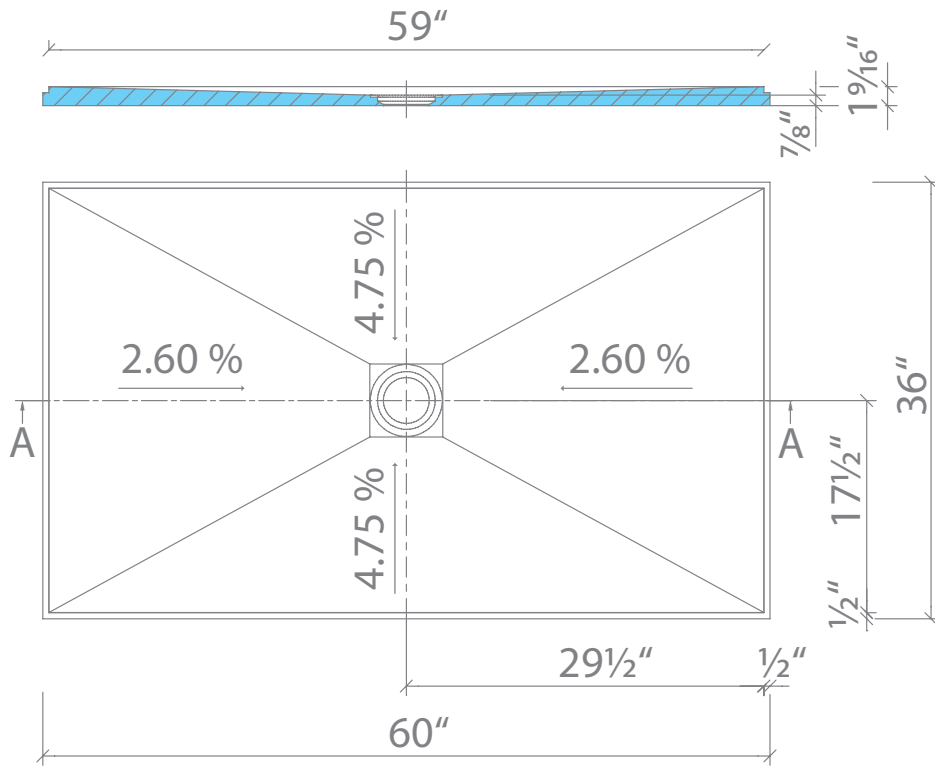


wedi Fundo Primo, square, 72" x 72" incl. drain

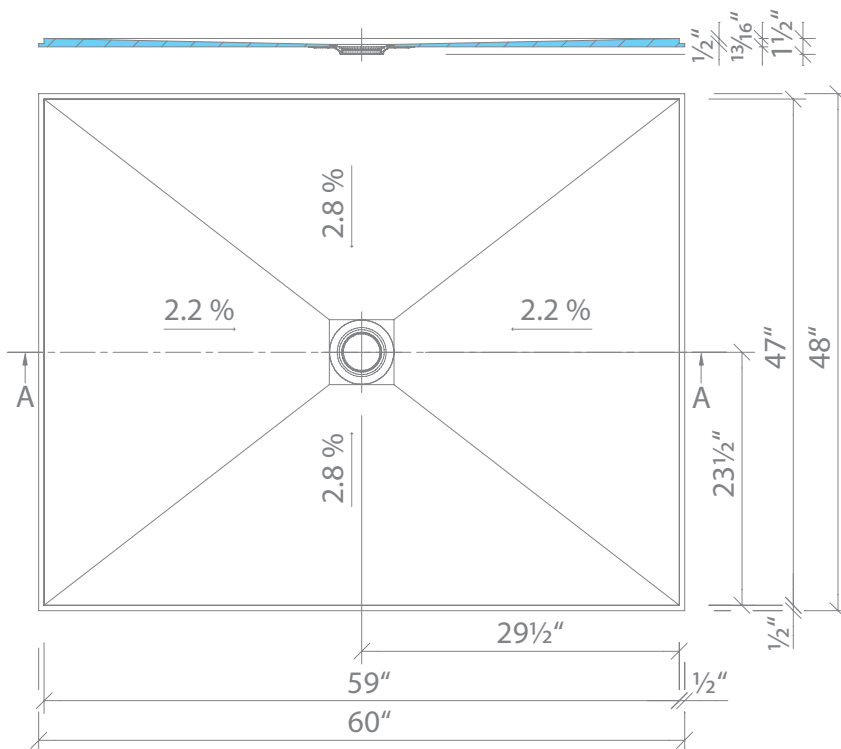


wedi Fundo Primo® | Square and Rectangular Shower Bases

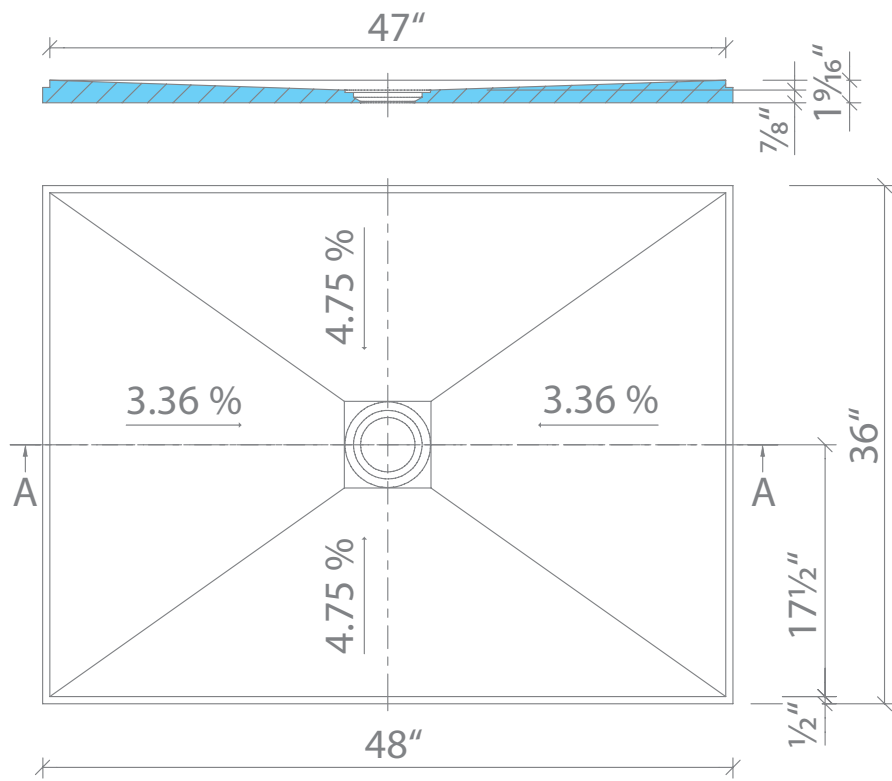
wedi Fundo Primo, rectangular, 36" × 60" incl. drain



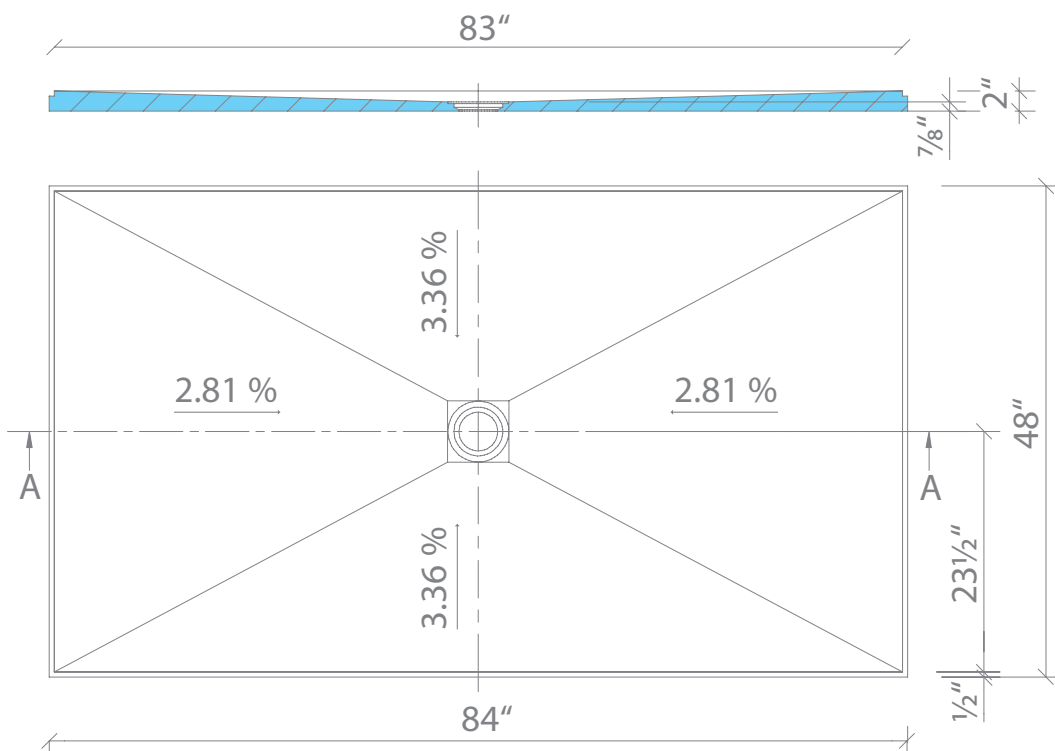
wedi Fundo Primo, rectangular, 48" × 60" incl. drain



wedi Fundo Primo, rectangular, 36" x 48" incl. drain

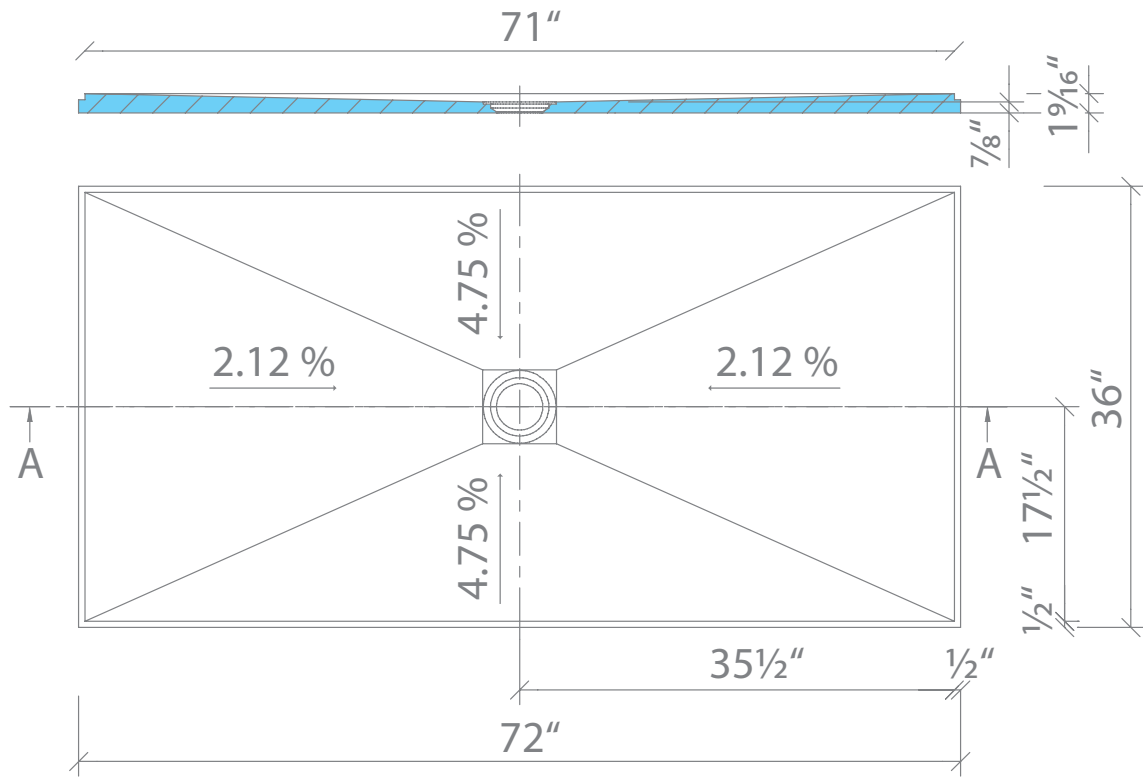


wedi Fundo Primo, rectangular, 48" x 84" incl. drain

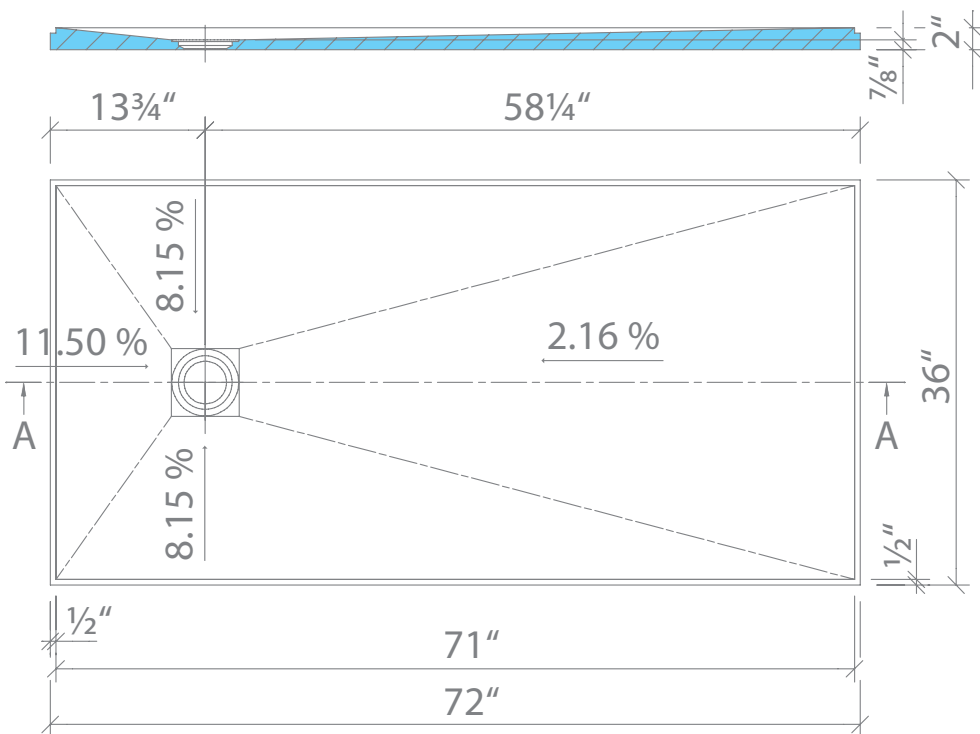


wedi Fundo Primo® | Square and Rectangular Shower Bases

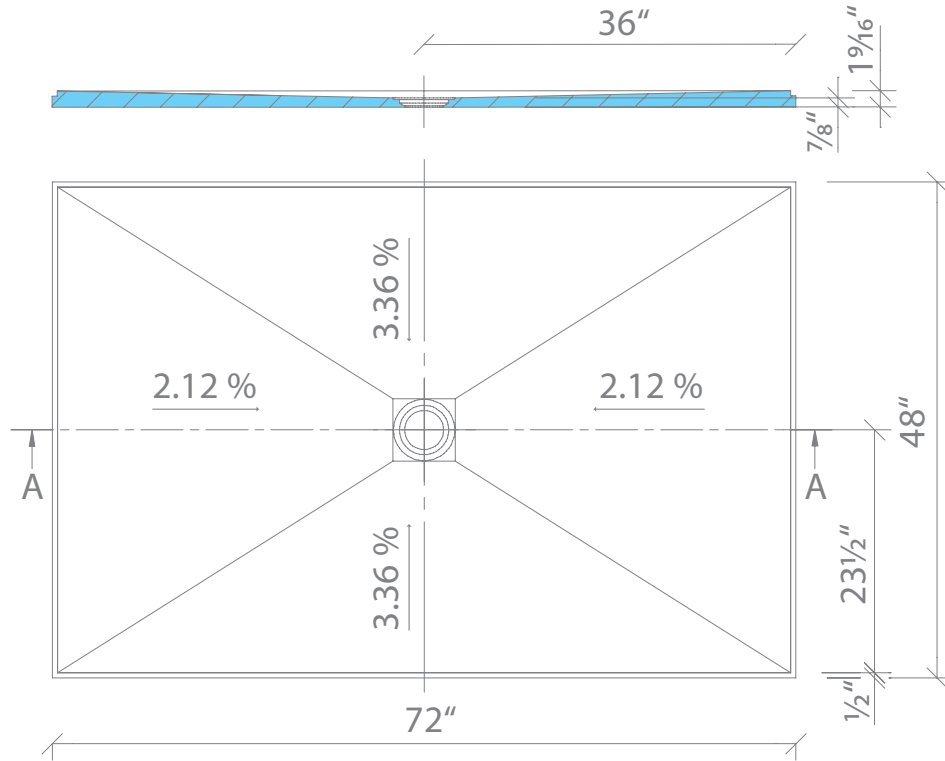
wedi Fundo Primo, rectangular, 36" x 72" incl. drain



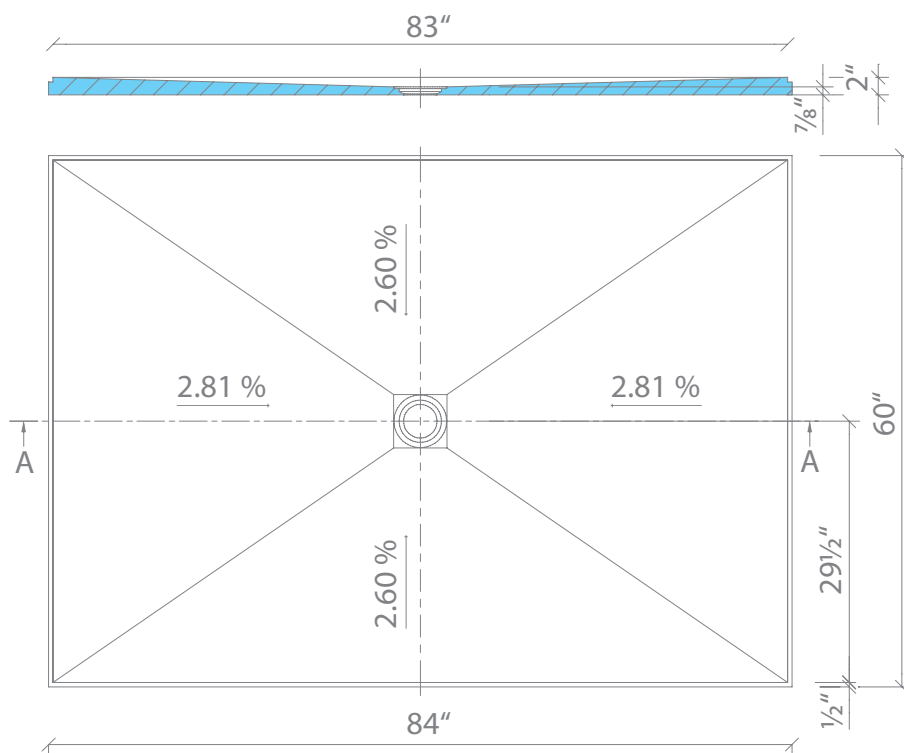
wedi Fundo Primo, rectangular, 36" x 72" incl. drain, offset



wedi Fundo Primo, rectangular, 48" x 72" incl. drain

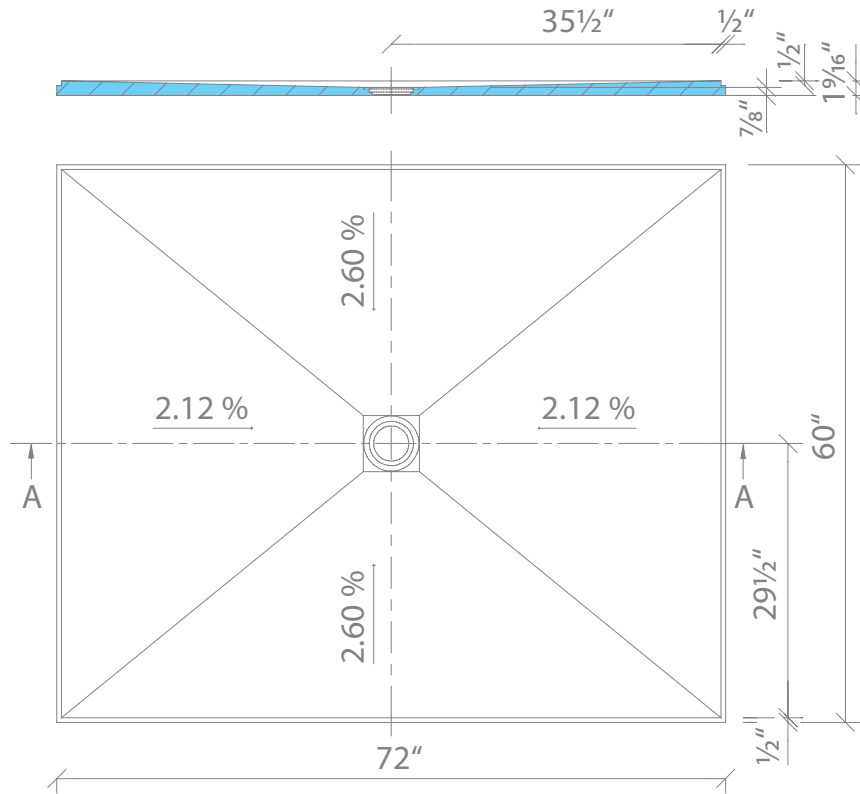


wedi Fundo Primo, rectangular, 60" x 84" incl. drain

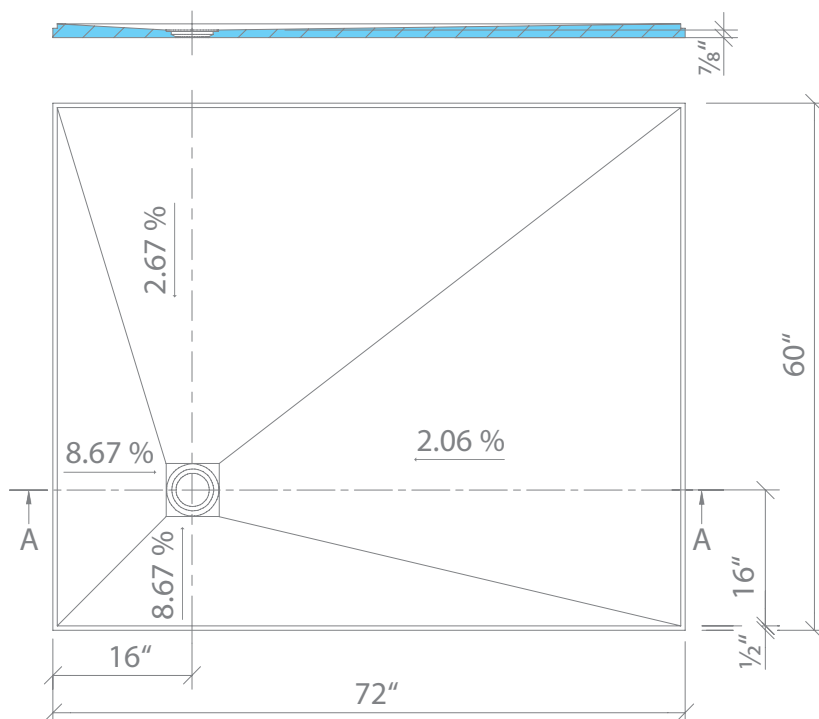


wedi Fundo Primo® | Square and Rectangular Shower Bases

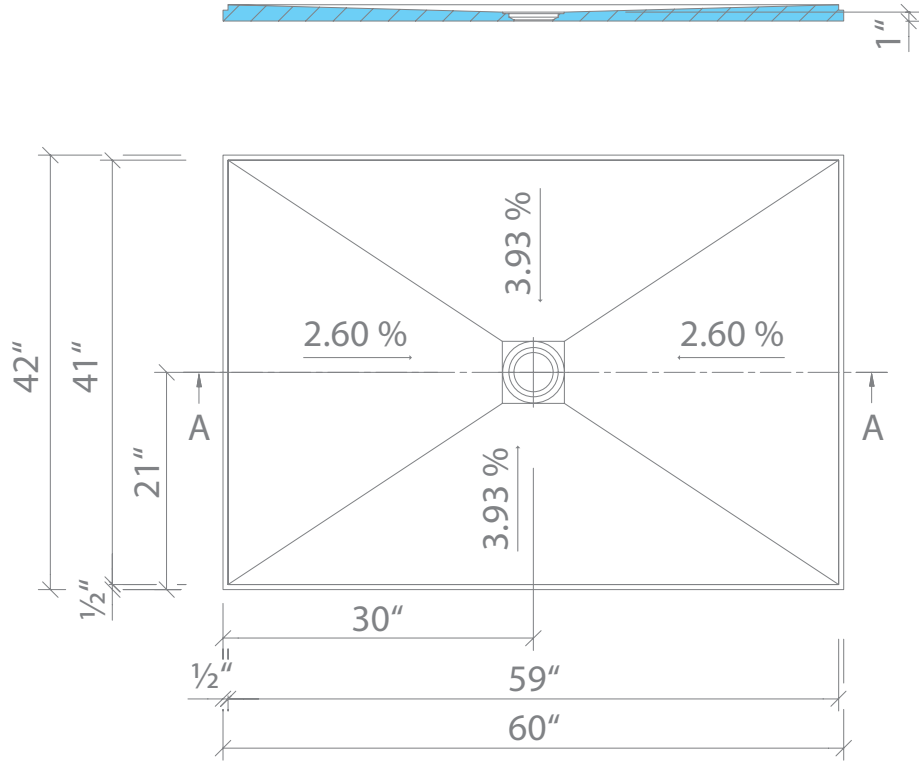
wedi Fundo Primo, rectangular, 60" x 72" incl. drain



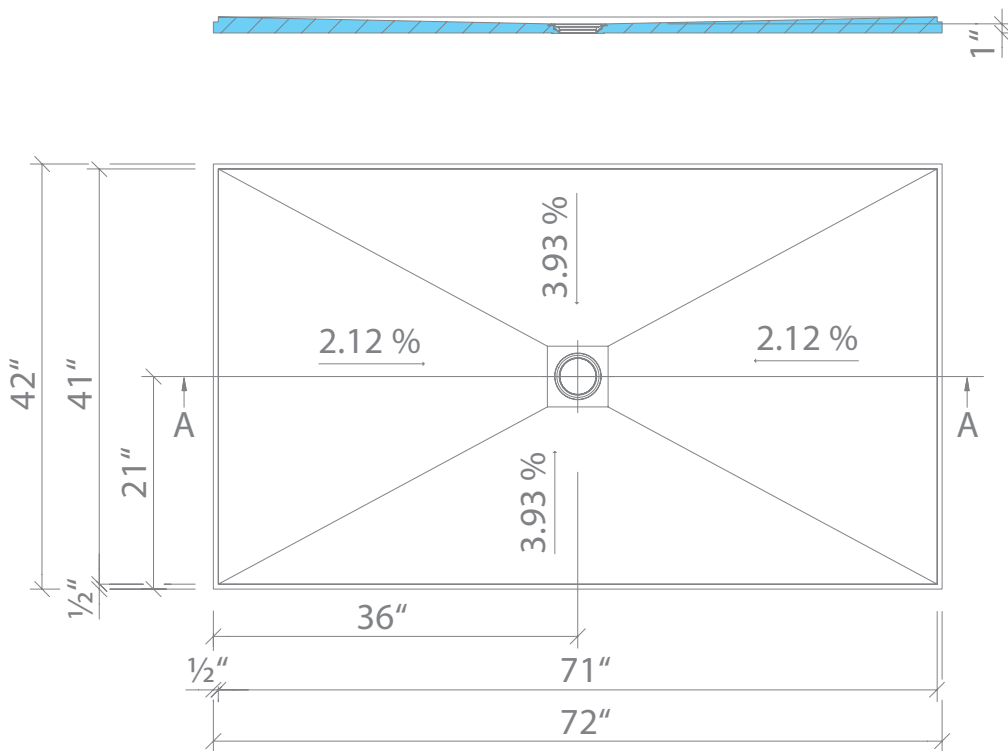
wedi Fundo Primo, rectangular, 60" x 72" incl. drain, offset



wedi Fundo Primo, rectangular, 42" x 60" incl. drain

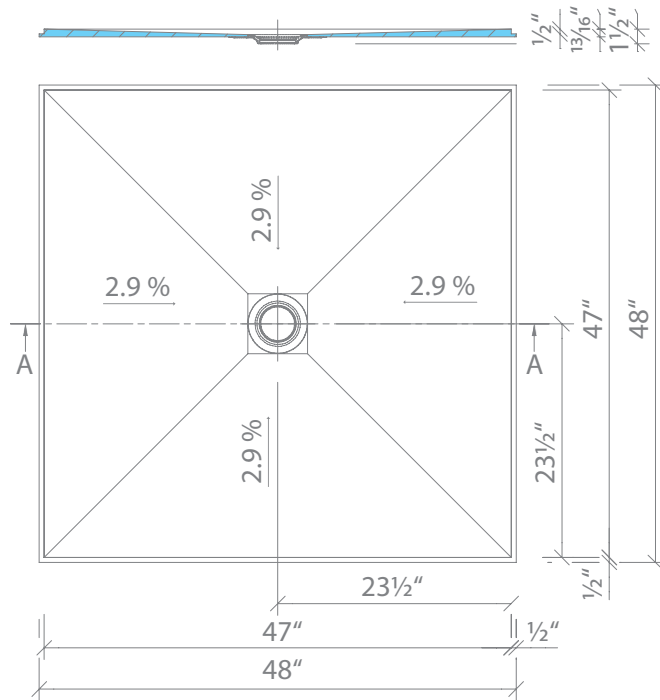


wedi Fundo Primo, rectangular, 42" x 72" incl. drain

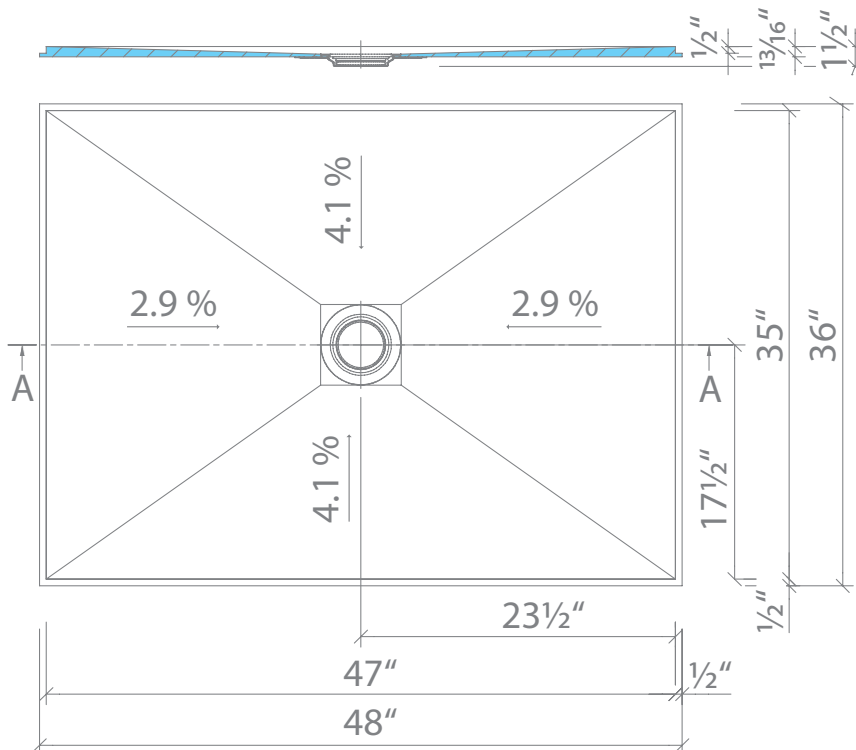


wedi Fundo Ligno® | Square and Rectangular Shower Bases, Center Drain

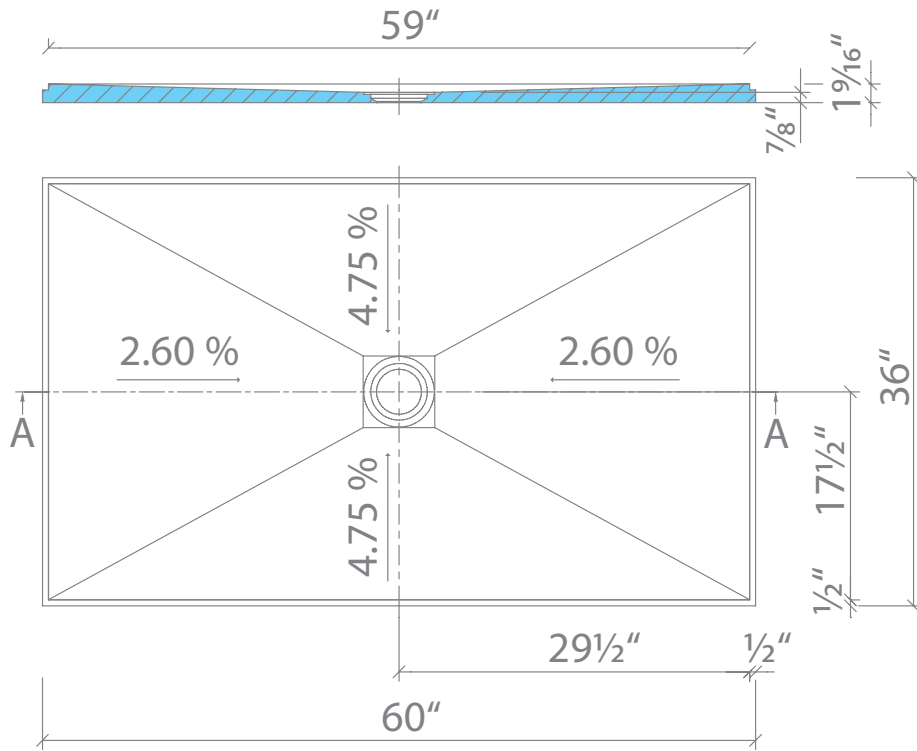
wedi Fundo Ligno, square, 48" x 48" x 3/4"



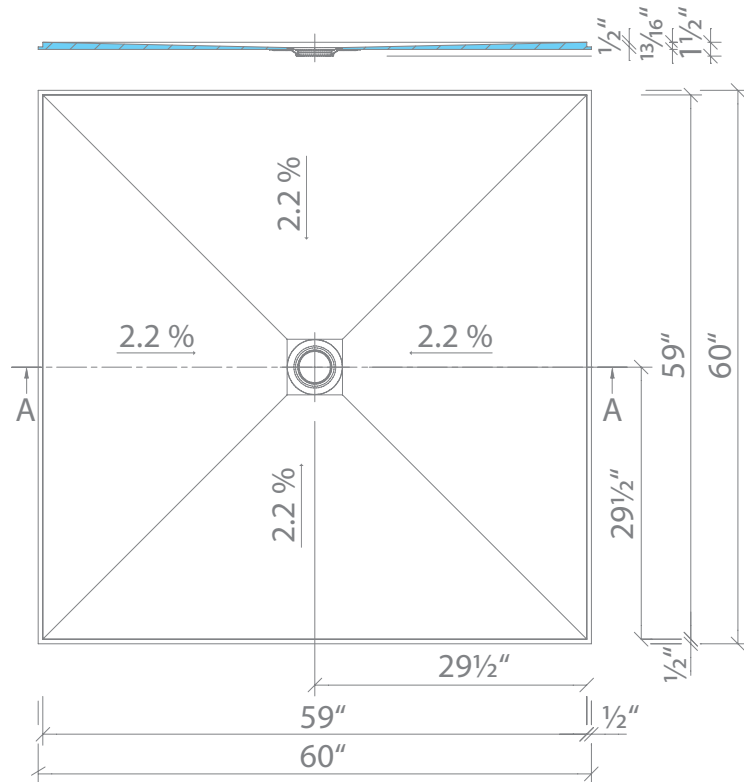
wedi Fundo Ligno, rectangular, 36" x 48" x 3/4"



wedi Fundo Ligno, rectangular, 36" x 60" x 3/4"

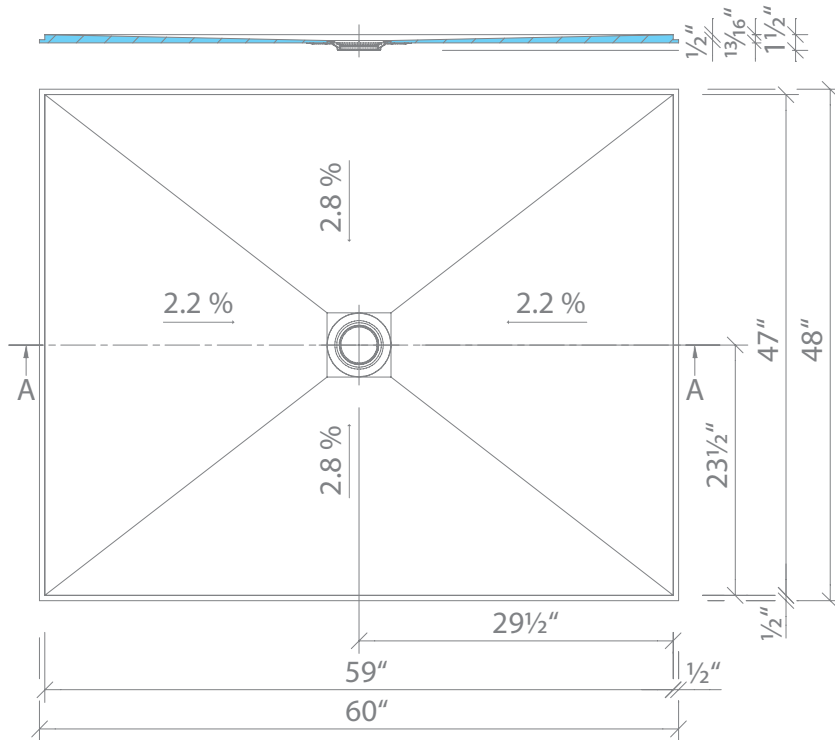


wedi Fundo Ligno, square, 60" x 60" x 3/4"

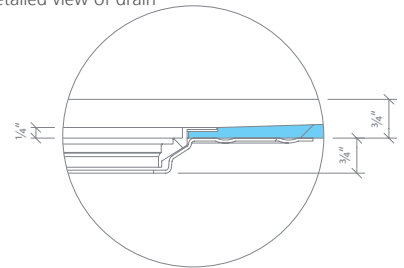


wedi Fundo Ligno® | Square and Rectangular Shower Bases, Center Drain

wedi Fundo Ligno, rectangular, 48" x 60" x 3/4"

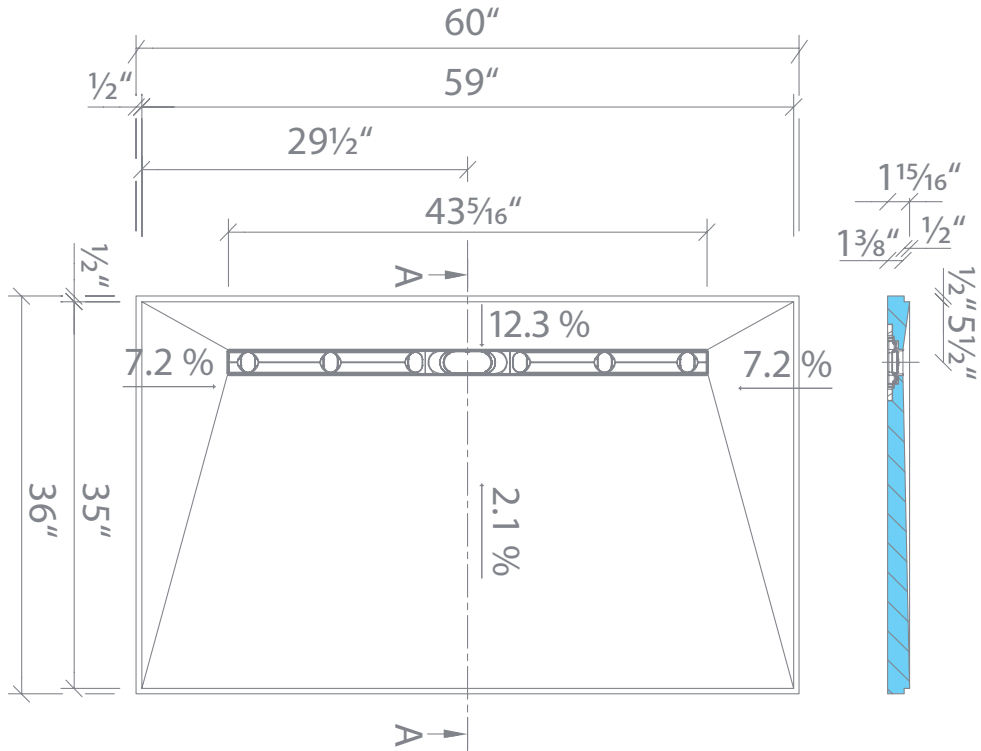


Detailed view of drain

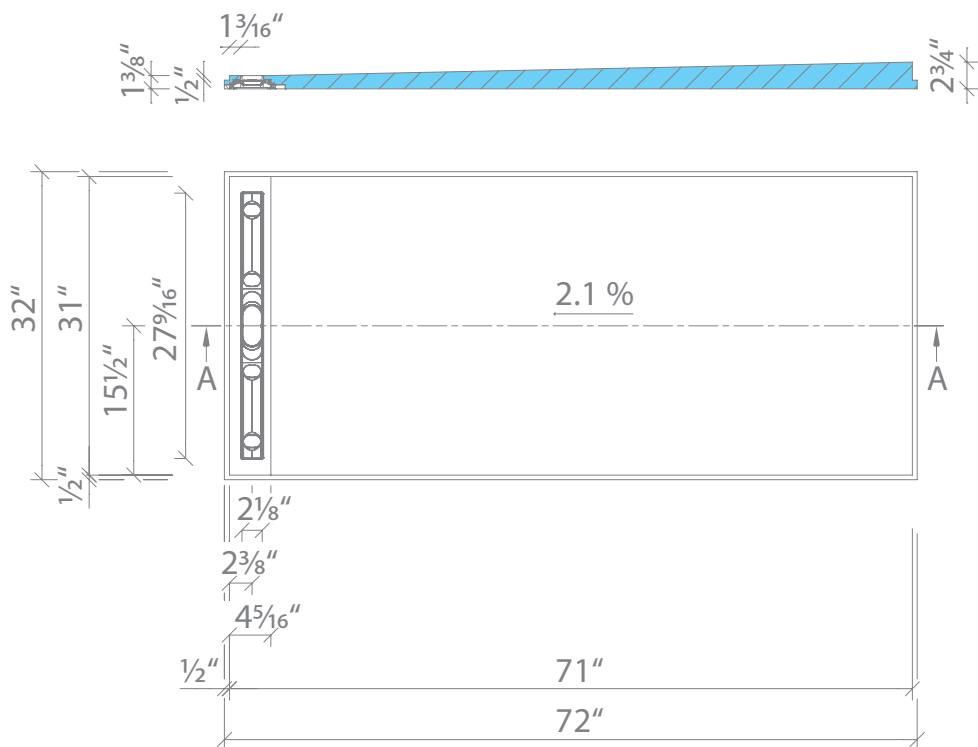


wedi Fundo Riolito® neo | Shower Base, with Integrated Channel Drain

wedi Fundo Riolito neo, floor base, with channel drain; 36" × 60" × 1 15/16"

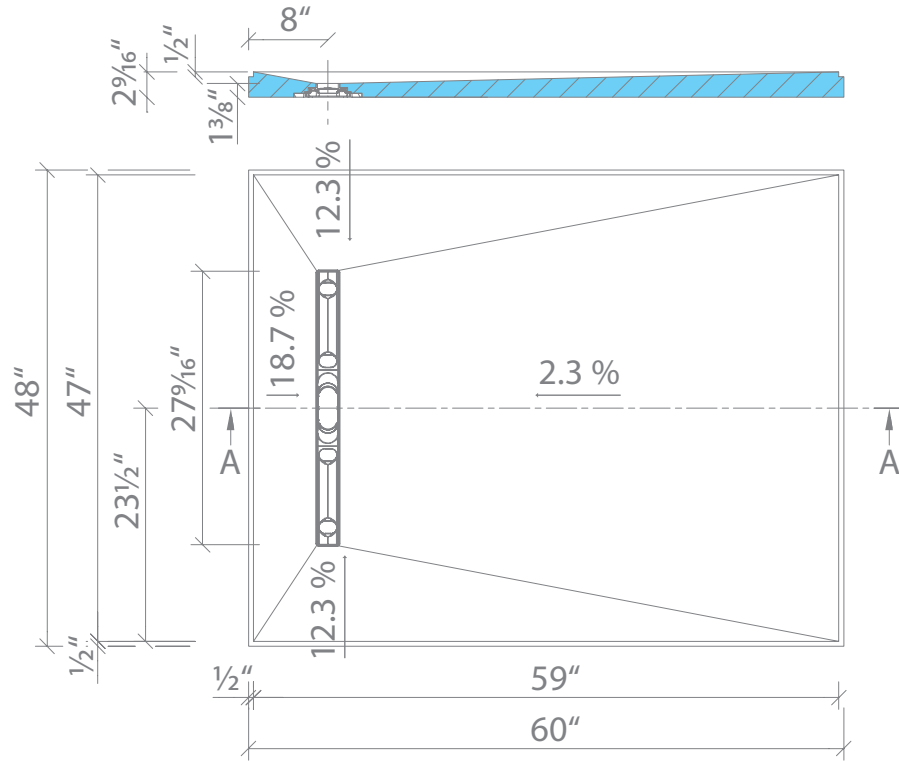


wedi Fundo Riolito neo, floor base, with channel drain; 32" × 72" × (2 3/4" – 1 3/8")

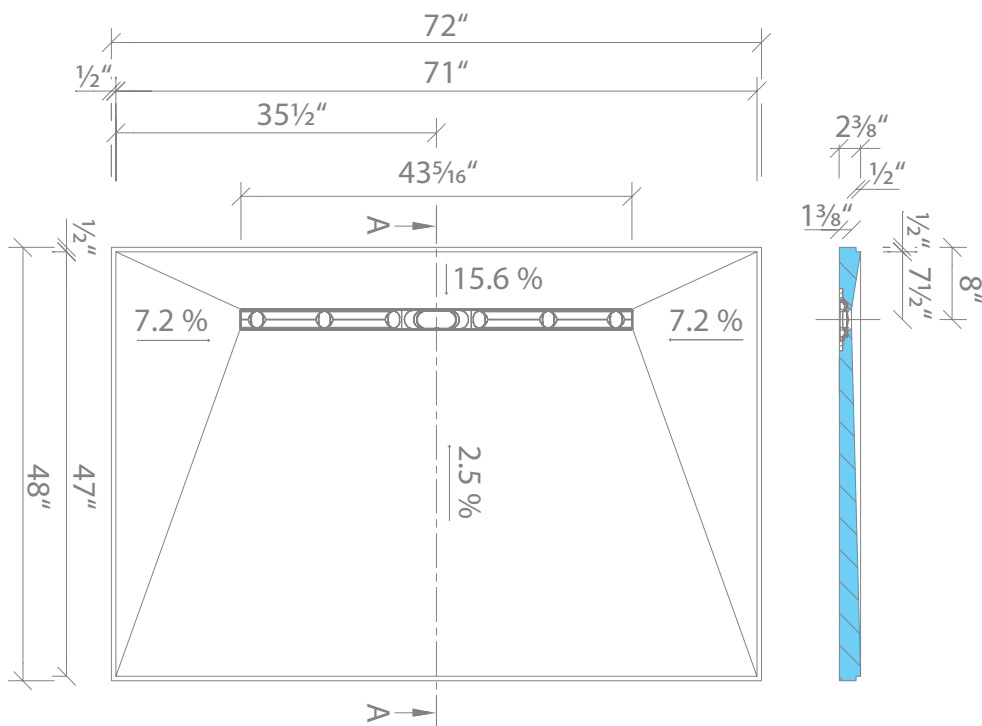


wedi Fundo Riolito® neo | Shower Base, with Integrated Channel Drain

wedi Fundo Riolito neo, floor base, with channel drain; 48" x 60" x 2 9/16"

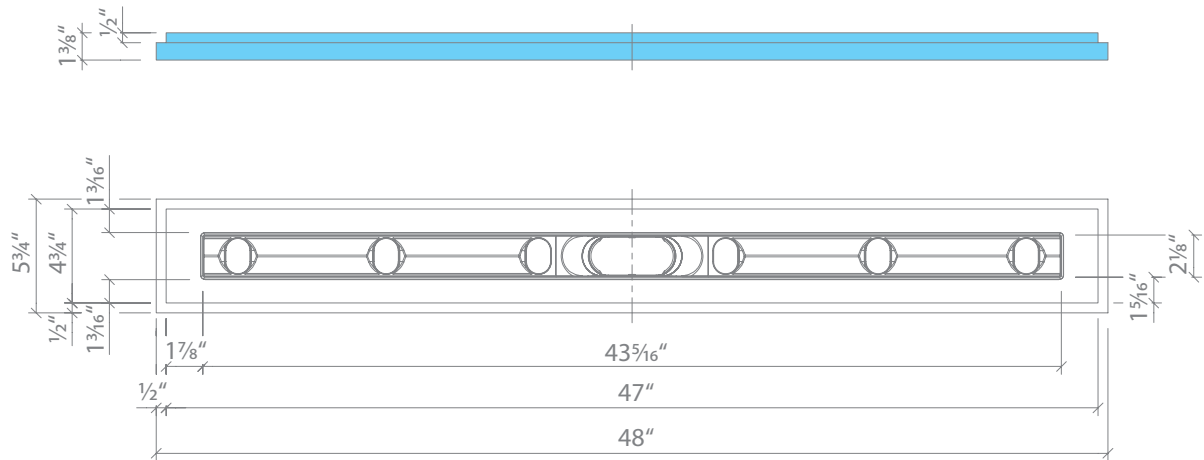


wedi Fundo Riolito neo, floor base, with channel drain; 48" x 72" x 2 3/8"

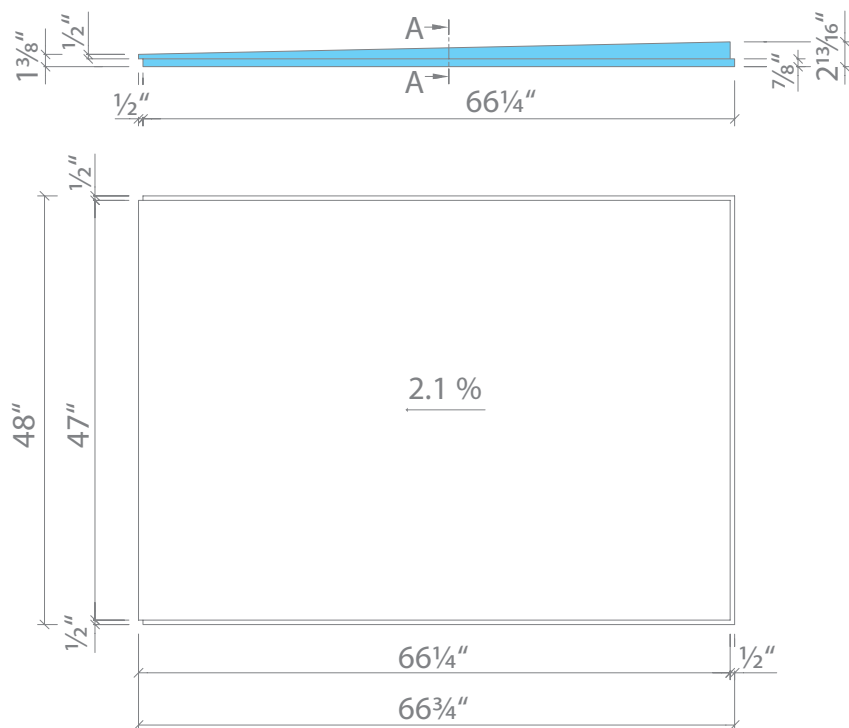


wedi Fundo Riolito® neo Modular | Shower Base, with Integrated Channel Drain

wedi Fundo Riolito neo Modular, line module; 48" × 5 3/4"

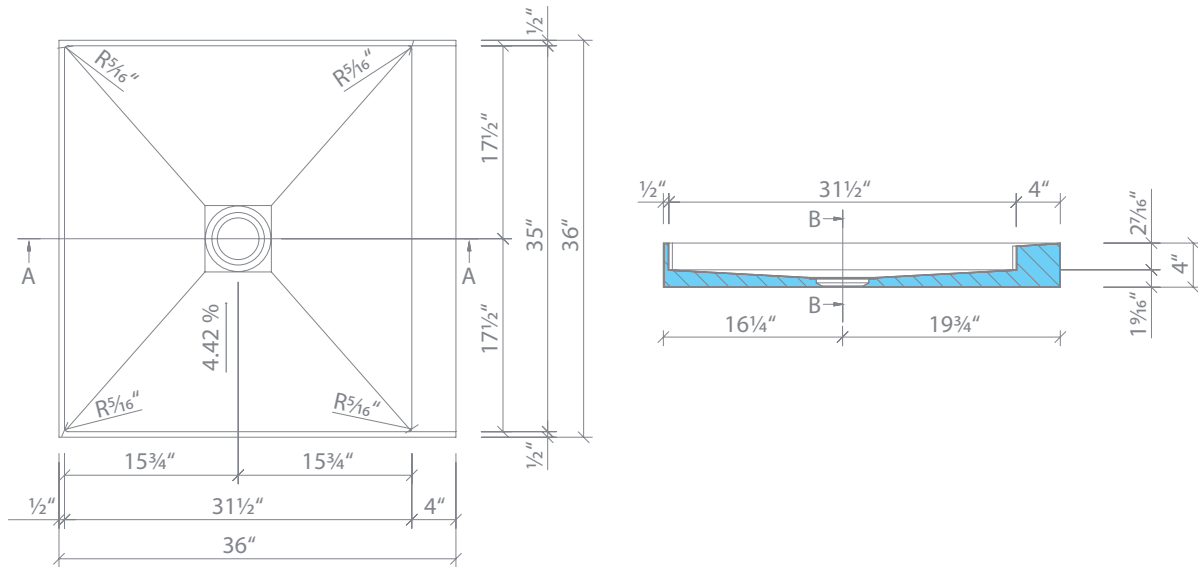


wedi Fundo Riolito neo Modular, extension module; 48" × 66 3/4"

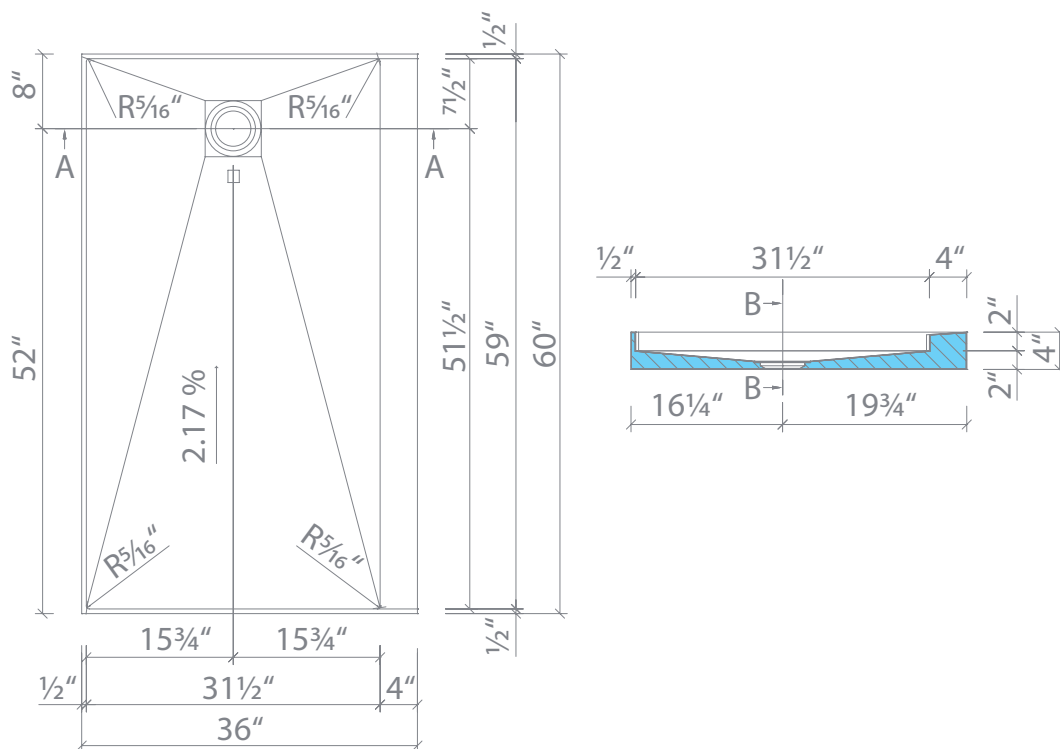


wedi OneStep Shower System

wedi OneStep Shower Base, center drain; 36" x 36" x 4"

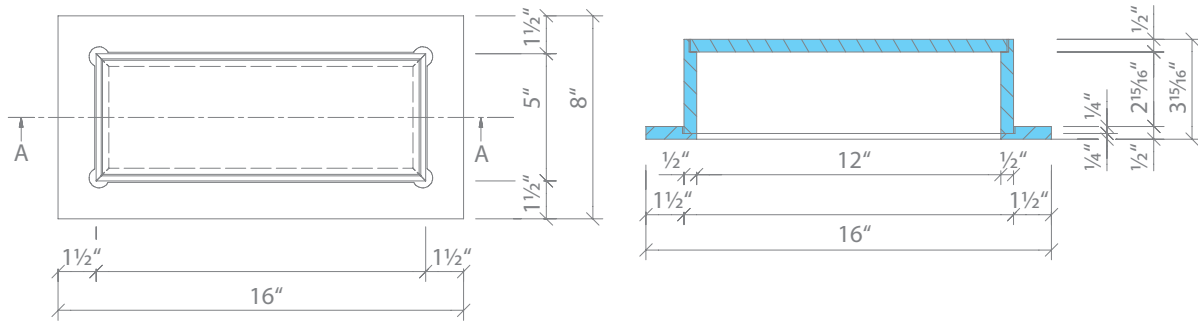


wedi OneStep Shower/Tub Replacement Base, right drain, 36" x 60" x 4"

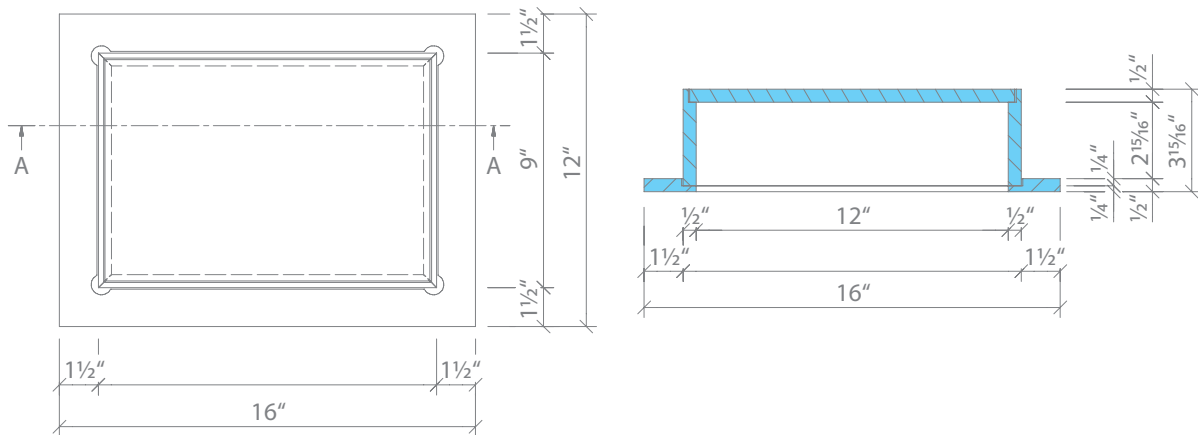


wedi Shower Niche

wedi Shower Niche
16" x 8"

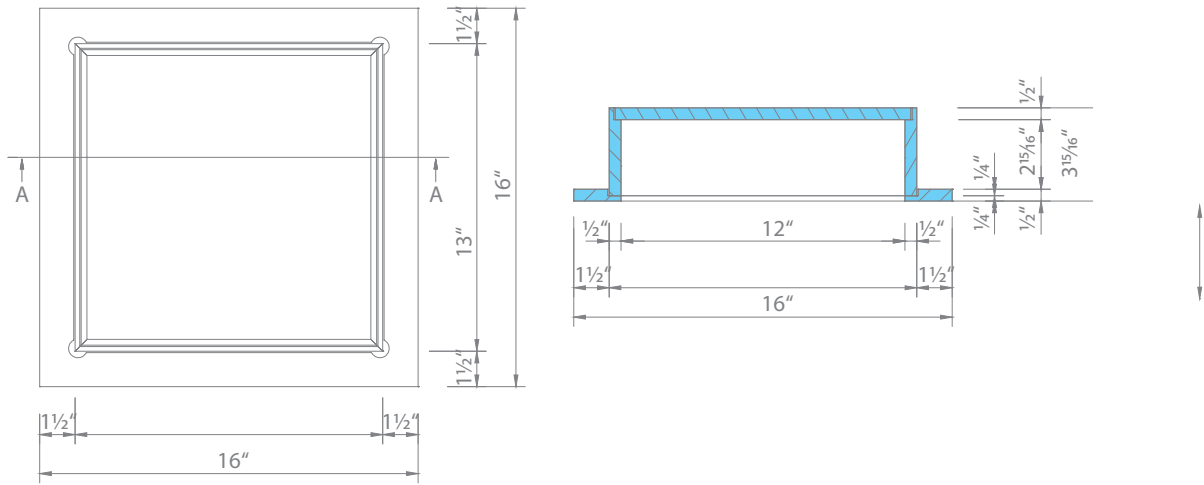


wedi Shower Niche
16" x 12"

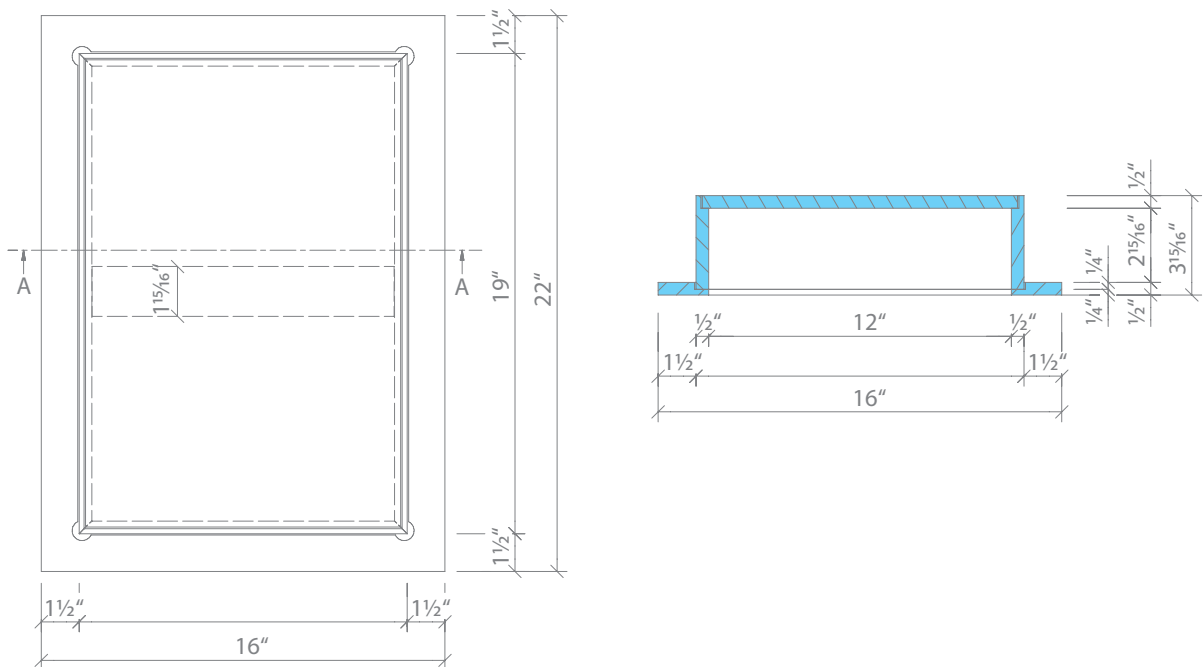


wedi Shower Niche

wedi Shower Niche
16" x 16"

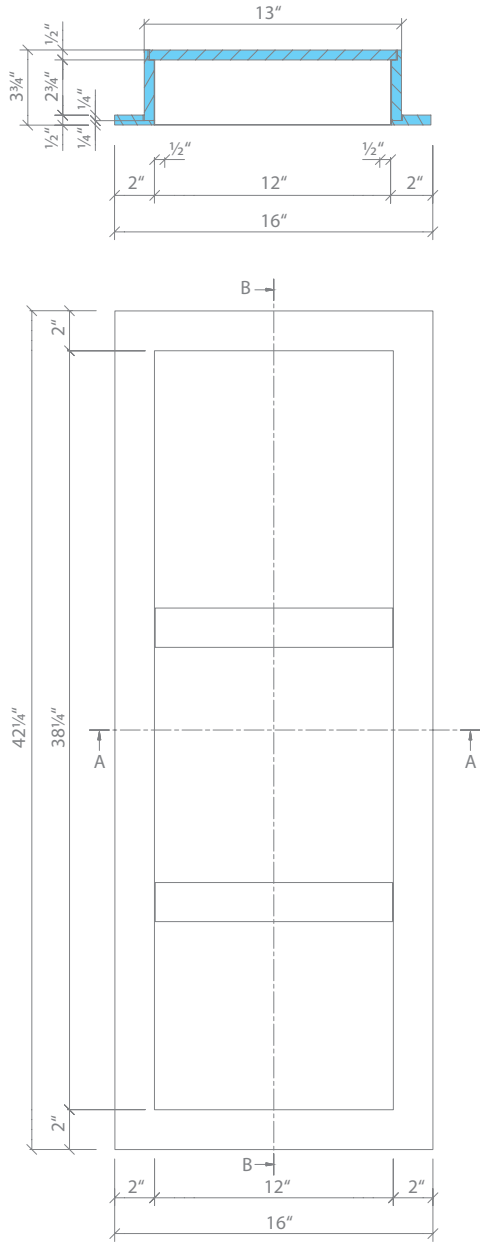


wedi Shower Niche
16" x 22"

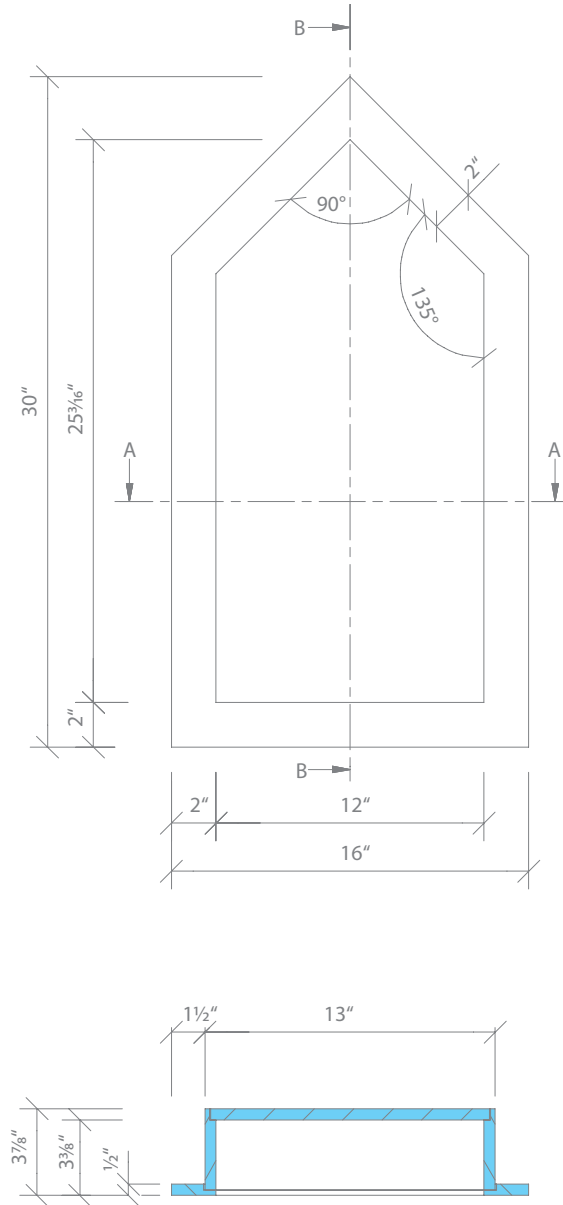


wedi Shower Niche

wedi Lean Combo Shower Niche
16" x 42"



wedi Cathedral Shower Niche
16" x 30"



09

Pricing and Warranty

Where do you buy wedi product systems? Head over to www.wedicorp.com and click on "where to buy wedi" to find your local stocking wedi distributor or retailer or give us a call today.





The value of strong partnerships is shown in the added value of our product and support.

For contractors

- System technology saves time and money
- All solutions are 100 % waterproof and mold proof – with manufacturer's guarantee
- Perfected complete solutions with 37-years of practical experience
- Premium Warranty Protection Programs: 10, 15, 20- years of extensive incident coverage
- The modular system and the possibilities of easy and clean customizing creates new areas of activity – and therefore additional business
- Underlayment solutions to perfectly prepare any suitable substrate for tile, stone and many other finishes
- wedi products are made in controlled manufacturing processes for consistent performance on-site
- Hands-on and online certification programs
- Expert consultation in the field and on the job – wedi sales representatives and management are fully educated on the wedi product
- wedi Shower Systems are certified to meet local, state or federal building codes and requirements
- wedi provides a safe product to work with and publishes Safety Data Sheets accordingly



For builders & architects

- Inspiration and ideas for individual design possibilities within a system
- Secure and coordinated problem-solvers, also able to be implemented on difficult substructures
- Fast-track renovations and new residential or commercial construction
- Clean and modular, easy to plan
- Long-term protection from moisture and mold, especially in wet rooms
- Significant reduction in energy costs thanks to integrated heat insulation
- Architectural Specifications and BIM/CAD technical drawing files available on www.wedicorp.com
- AIA CEU classes offered on a regular basis in person and online
- wedi Shower Systems meet local, state and federal building codes including the International Residential Code (IRC) and the International (Commercial) Building Code (IBC)
- wedi Shower Systems are tested and certified to meet UL and NFPA fire safety guidelines with class A rating and may be used in Type I and II buildings
- wedi provides a safe product to work with and publishes Safety Data Sheets accordingly



For distributors & wholesalers

- Attractive, additional business thanks to the diversity of the product range
- Replaces many singular products, parts or pieces and offers the promotion of one complete shower system- out of the box
- Innovative and complete product systems with Quality Assurance-, Building Code- and Industry Standards Compliance Certification
- Clear and fully protective warranty by wedi
- Expert consultation and technical support; in-house and in the field
- Sensible POS tools with targeted representation of product benefits
- Sales and marketing documents, both in digital and printed form
- wedi actively works with contractors supporting distributor sales
- wedi upgrades your quality product offering and is a premium product. It is less expensive when its added value makes the bottom line cost for our contractors and builders
- The product system is easily and cleanly stored, explained, estimated, picked, packed and loaded



Become a wedi PRO certified installer and register your wedi projects for a comprehensive 15 /20 Year Warranty



10-Year Limited Warranty

wedi Corp. ("wedi") warrants that for a period of 10-years from the date of purchase, all products it sells bearing the wedi name ("Products") shall be free of manufacturing defects and conform to wedi's published specifications, subject to the terms, conditions and limitations below.

15-Year Limited Warranty and 20-Year Limited Warranty

In certain circumstances defined herein, in lieu of the foregoing 10-Year Limited Warranty, wedi offers a 15-Year Limited Warranty and a 20-Year Limited Warranty, pursuant to which wedi warrants the Products shall be free of manufacturing defects and conform to wedi's published specifications for a total of either 15-years or 20-years when installed as part of a "15-Year Warranty Installation" or "20-Year Warranty Installation", by a "PRO Certified Installer", in a "Registered Installation" (as those terms are defined below).

1. **15-Year Warranty Installation** means an installation exclusively consisting of the following products:
 - (a) wedi Fundo Shower Base and drain;
 - (b) wedi Building Panels (wedi Vapor 85 installation system, in steam room and ice room installations);
 - (c) wedi Joint Sealant and Fastener System; and
 - (d) a wedi curb, ramp, or floor entry and floor transition waterproofed by wedi Building Panels or wedi Subliner Dry waterproofing membrane system. wedi Building Panels must be installed to cover all shower walls exposed to water, or any wall surfaces considered wet areas Res2, Res3, Res4, Com2, Com3, or Com4 (as defined by the TCNA Handbook on Ceramic, Glass, and Stone Tile Installation), and must be installed at least 6 inches higher than every water inlet or shower head.
2. **20-Year Warranty Installation** means an installation meeting the definition of a 15-Year Warranty Installation that also includes:
 - (a) a wedi seat, wedi bench, or wedi niche; and
 - (b) waterproofing of the entire bathroom floor in which the wedi shower system is installed, using wedi Building Panels or wedi Subliner Dry waterproofing membrane system. The wall flashing or waterproofing must cover at least 2 inches up the wall surface from the floor.
3. **PRO Certified Installer** means an individual who has successfully completed wedi PRO Certification classes, and holds a valid certificate as a PRO Certified installer issued by authorized wedi personnel. Unless earlier revoked or terminated, PRO Certification expires on the fourth (4th) anniversary of the date of issuance.
4. **Registered Installation** means a project in which wedi has been provided the following within thirty (30) days of installation of the Products:
 - (a) Residence/Building Owner Information (name of owner(s); residence/building address);
 - (b) Installer Information (name of installer and company; address and contact information);
 - (c) minimum of two digital photos of the wedi installation (prior to installation of surface coverings), including a close-up of the entire wedi product installation; and
 - (d) copy of the purchase invoice of the Products.

LIMITATIONS ON COVERAGE.

Neither the 10-year limited warranty, 15-year limited warranty, nor the 20-year limited warranty (collectively, "wedi Warranties") apply to:

- (a) Products damaged or misused after leaving wedi's possession;
- (b) Products not handled or stored according to wedi's written guidelines;
- (c) Products not installed in strict compliance with applicable wedi installation guidelines, applicable building codes, and accepted industry standards;
- (d) Products which have undergone a repair, re-installation, or replacement which was not authorized by wedi in writing;
- (e) damage resulting from a defect in a product not sold by wedi and not bearing the wedi name or logo;
- (f) damage resulting from a defect in the structure or component of the structure and/or framing to which the Products were affixed;
- (g) damage resulting from failure to quarantine or take other protective steps to remove hazardous substances such as mold and mildew, and failure to restrict people from accessing areas affected by hazardous substances;
- (h) claims arising from Products which were not installed within 6 months of purchase, or Products installed in buildings which remained vacant for a period of 6 months any time after installation;
- (i) claims arising in buildings vacant for 4 weeks or longer prior to either occurrence or observance of Product's manufacturing defect or damage, or
- (j) any other cause not related to manufacturing defects of the Products.

Follow applicable state or local plumbing codes requiring specific and dimensioned waterproofed areas for a shower system or other wet room installation. Requirements in wedi manuals supersede local plumbing codes; they extend and are not in conflict. wedi Shower Systems or other wet room installations in which non-wedi product is also used require specific project recommendations by wedi and may reduce the extent and installation area of protection offered by wedi's warranty.

WARRANTY COVERAGE.

If, within the applicable warranty period, any Product does not meet wedi's published specifications because of a manufacturing defect, wedi will, at its discretion, take any of the following actions:

- (i) repair or replace the Product;
- (ii) remove, repair, or replace any materials and/or structures attached to or surrounding the installed Product that were damaged as a direct result of the underlying Product's manufacturing defect;
- (iii) refund the cost of the Product; and/or (iv) reimburse Claimant (defined below) the costs to repair or replace the Product and other materials or structures surrounding the installed Product, limited to the amount wedi determines, in its sole discretion, that are reasonable and necessary before the repair/replacement commences and further limited to a contractor's labor costs, and not the amount a consumer may incur to engage a contractor for such services. Precise duplicates of surface finish products, such as tile, may not be available, but where applicable, substantially similar products may be used as a substitute. wedi's maximum liability for claims arising after the first 10-year period in connection with the 15-year limited warranty and 20-year limited warranty shall not exceed twenty-thousand and 0/100 U.S. dollars (\$20,000.00) per building into which the Products are installed.

No representative, dealer, or any other person is authorized to provide any warranty, representation, condition, or promise on behalf of wedi with respect to the Products. No terms or conditions other than those stated herein or provided by law, and no agreement or understanding, shall modify the wedi Warranties, unless made in writing and signed by

an authorized representative of wedi.

EXCLUSIVE REMEDY.

The wedi warranties contained herein are in lieu of any and all other warranties, express or implied, including the implied warranties of merchantability and fitness for a particular purpose. Wedi shall not be responsible for consequential, incidental, indirect, or special damages of any kind, including claims for lost profits, except as expressly provided above. Some states and provinces do not allow the exclusion or limitation of incidental or consequential damages, so the above limitations or exclusions may not apply to you. This warranty gives you specific legal rights, and you may also have other rights, which vary from state to state, and province to province.

DISCLAIMER FOR INSTALLATION.

wedi only warrants the “products” (as defined above). The wedi warranties do not apply to installation, and wedi makes no representations or warranties regarding the work of any installer, including pro certified installers. Under no circumstances shall wedi be liable for any claim, loss, or damages arising out of the performance of an installer.

NON-TRANSFERABILITY AND CONTINUING WARRANTY COVERAGE.

The wedi Warranties extend only to the installer, developer, and the owner of the residence or building into which the Products are installed at the time of installation (“Claimant”). The wedi Warranties are not transferable or assignable, except upon the transfer of title to the residence or building from a developer to its first non-developer owner, or where required by applicable law. If any Product is repaired or replaced under the wedi Warranties, ongoing warranty coverage (if applicable) shall continue from the original date of purchase, and not the date of the repair or replacement. Warranty coverage under the 15-Year Limited Warranty and the 20-Year Limited Warranty shall continue after a claim is tendered to wedi only if any required repairs, re-installations, or replacement of Products are performed by a wedi PRO Certified Installer.

CONDITION TO WARRANTY COVERAGE AND NOTICE TO WEDI.

In addition to the other limitations stated herein, wedi shall have no obligations under the wedi Warranties unless notified in writing, within sixty (60) days of the discovery of any potential claim, at:



wedi Corp. c/o Customer Service
1160 Pierson Dr. Batavia, IL 60510
(p): (877) 933-WEDI (9334)
(f): (847) 357-9819

wedi shall be allowed a reasonable amount of time, and be authorized to perform testing, as it deems necessary, to investigate all claims. wedi shall not be responsible for any damage resulting from such investigation or testing. As a condition of warranty coverage, upon wedi’s request, Claimant shall provide wedi copies of all invoices for the Products, the surrounding building materials, and their installation.

Manufacturer: wedi GmbH and wedi Corporation – Made in Germany and USA; Represented in USA, and Canada by wedi Corporation. Publication of warranty statement and effective date: 8/1/2016 updated 2/19/20.

Product Order Information


wedi Fundo Primo® ▪ Square and Rectangular Shower Bases, Center Drain

		Dimensions	Unit	Item #	Retail Price
	Center Drain	36 in. x 36 in. (914 x 914 mm)	1 pc	073735507	\$469.98
	Center Drain	36 in. x 48 in. (914 x 1220 mm)	1 pc	073735516	\$598.84
	Center Drain	48 in. x 48 in. (1220 x 1220 mm)	1 pc	073735505	\$651.37
	Center Drain	36 in. x 60 in. (914 x 1524 mm)	1 pc	073735506	\$639.82
	Center Drain	48 in. x 84 in. (1220 x 2134 mm)	1 pc	073735522	\$1,319.72
	Center Drain	36 in. x 72 in. (914 x 1830 mm)	1 pc	073735525	\$680.79
	Center Drain	42 in. x 60 in. (1066 x 1524 mm)	1 pc	073735527	\$768.06
	Center Drain	42 in. x 72 in. (1066 x 1830 mm)	1 pc	073735528	\$860.20
	Center Drain	48 in. x 60 in. (1220 x 1524 mm)	1 pc	073735509	\$847.83
	Center Drain	48 in. x 72 in. (1220 x 1830 mm)	1 pc	073735508	\$1,003.32
	Center Drain	60 in. x 60 in. (1524 x 1524 mm)	1 pc	073735518	\$1,161.18
	Center Drain	60 in. x 72 in. (1524 x 1830 mm)	1 pc	073735519	\$1,375.42
	Center Drain	60 in. x 84 in. (1524 x 2134 mm)	1 pc	073735523	\$1,649.65
	Center Drain	72 in. x 72 in. (1830 x 1830 mm)	1 pc	073735524	\$1,705.35

i Drain unit and standard cover set are included.

! wedi Fundo elements vary in thickness from 1 1/2 in. to 2 in. at the perimeter. When working with modular wedi curbs or ramps the connection notch might need to be adjusted in the field.
Equipped with Drain Unit and Cover Set Brushed Stainless Steel.


wedi Fundo Primo® ▪ Rectangular Shower Base, Offset Drain

		Dimensions	Unit	Item #	Retail Price
	Offset Drain	36 in. x 72 in. (914 x 1830 mm)	1 pc	073735521	\$680.79
	Corner, Offset	60 in. x 72 in. (1524 x 1830 mm)	1 pc	073735526	\$1,395.20

i Drain unit and standard cover set are included.


! For tub replacement installations. Cut unit to always meet drain and shower size.
Equipped with Drain Unit and Cover Set Brushed Stainless Steel.

wedi Fundo Ligno® ■ Square and Rectangular Shower Bases, Center Drain

	Dimensions		Unit	Item #	Retail Price
	Center Drain	36 in. x 48 in. (914 x 1220 mm)	1 pc	073732014	\$745.56
	Center Drain	48 in. x 48 in. (1220 x 1220 mm)	1 pc	073732015	\$803.40
	Center Drain	36 in. x 60 in. (914 x 914 mm)	1 pc	073732016	\$792.69
	Center Drain	48 in. x 60 in. (1220 x 1524 mm)	1 pc	073732017	\$1,060.49
	Center Drain	60 in. x 60 in. (1524 x 1524 mm)	1 pc	073732018	\$1,390.42

i For curbless shower entry designs. Drain unit included. Select drain covers are sold separately.

wedi Fundo Ligno® Recess Installation Kit

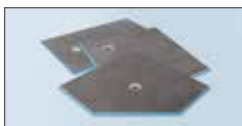
	Dimension	Unit	Item #	Retail Price
	5 ft. x 5 ft.	1 pc	US5000085	\$410.00

i For recessing plywood floors between floor joists.

! For a wedi Fundo Ligno Shower Base up to 60 in. x 60 in. (1524 x 1524 mm) in size.


- W** ■ 30 x C Brackets
- 10 x Joist Brackets
- 60 x Coarse thread flat head Phillips wood screws
- 40 x Long flat head Phillips self-drilling screws with wings
- 160 x Short flat head Phillips self-drilling screws with wings

wedi Fundo® Shower Bases ■ Customized Products




- !** ■ The customized products are between 1.5 in. – 2 in. thick. Other thicknesses available upon request.
- You can freely select the position of the drain in your customized product.
- Your customized products can be square, rectangular or polygonal. Curves are available upon request.
- Delivery of Fundo customized products takes approx. 8 weeks.
- Slope will reflect 1/4 in. per one ft. (minimum)

wedi Fundo Riolito® neo ■ Shower Base, with Integrated Channel Drain

	External Dimensions Length x Width x Height		Channel Length	Item #	Retail Price
	4-Sided Slope	36 in. x 60 in. (914 x 1524 mm)	43 5/16 in. (1100 mm)	075100016	\$819.00
	4-Sided Slope	48 in. x 60 in. (1220 x 1524 mm)	27 1/2 in. (700 mm)	075100012	\$1,038.70
	4-Sided Slope	48 in. x 72 in. (1220 x 1830 mm)	43 5/16 in. (1100 mm)	075100014	\$1,168.70

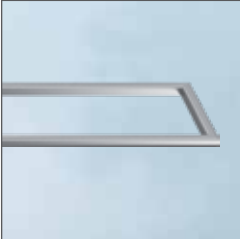
i Drain unit and standard cover set are included.

wedi Fundo Riolito® neo Modular ■ Shower Base, with Integrated Channel Drain

	External Dimensions		Channel Length	Item #	Retail Price
	Length × Width × Height				
Line Module	32 in. × 5 3/4 in. (813 × 146 mm) Height Line Module: 1 3/8 in. (35.4 mm)		27 1/2 in. (700 mm)	075100052	\$300.00
Line Module	48 in. × 5 3/4 in. (1220 × 146 mm) Height Line Module: 1 3/8 in. (35.4 mm)		43 5/16 in. (1100 mm)	075100053	\$360.00
Extension Module	32 in. × 66 3/4 in. (813 × 1700 mm) Height Extension Module: 1 3/8 in. (35.4 mm) – 2 3/16 in. (55.6 mm)		–	075100050	\$510.00
Extension Module	48 in. × 66 3/4 in. (1200 × 1700 mm) Height Extension Module: 1 3/8 in. (35.4 mm) – 2 3/16 in. (55.6 mm)		–	075100051	\$680.00


i Drain unit and standard cover set are included. Select drain covers are sold separately.

wedi Fundo Riolito® neo Channel Frame

	Length × Width × Height		Unit	Item #	Retail Price
For 28 in. (700 mm) channel	2.5 in. × 28 in. × 0.25 in. (63 × 700 × 30 mm)		1 pc	676800061	\$140.16
For 43.75 in. (1100 mm) channel	2.5 in. × 43.75 in. × 0.25 in. (63 × 1100 × 30 mm)		1 pc	676800064	\$153.42

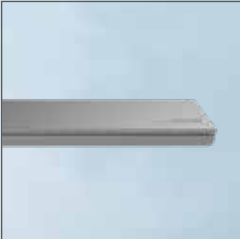
! For use with wedi Fundo Riolito neo and Riolito neo Modular bases with 700 mm and 1100 mm channel
Made of Brushed Stainless Steel

wedi Fundo Riolito® neo Standard ■ Cover Plate, Stainless Steel

	Length × Width × Height		Unit	Item #	Retail Price
wedi Fundo Riolito neo Standard drain cover for Riolito neo base 36 in. × 60 in. and 48 in. × 72 in. (914 × 1524 mm) and (1220 × 1830 mm), Riolito neo Modular 48 in. × 5 3/4 in. (1220 × 146 mm)	1 5/8 in. × 43 1/4 in. × 3/4 in. (41 × 1100 × 19 mm)		1 pc	676797045	\$190.00
wedi Fundo Riolito neo Standard drain cover for Riolito neo base 48 in. × 60 in. and 32 in. × 72 in. (1220 × 1524 mm) and (813 × 1830 mm) Riolito neo Modular 32 in. × 5 3/4 in. (813 × 146 mm)	1 5/8 in. × 27 5/8 in. × 3/4 in. (41 × 700 × 19 mm)		1 pc	676797048	\$146.00


! For tile installation heights of between 3/16 in. to 1 in.
For Fundo Bases Riolito neo and Riolito neo Modular

wedi Fundo Riolito® neo Exclusive ■ Cover Plate, Stainless Steel

	Length × Width × Height		Unit	Item #	Retail Price
wedi Fundo Riolito neo Exclusive drain cover for Riolito neo base 36 in. × 60 in. and 48 in. × 72 in. (914 × 1524 mm) and (1220 × 1830 mm), Riolito neo Modular 48 in. × 5 3/4 in. (1220 × 146 mm)	1 5/8 in. × 43 1/4 in. × 3/4 in. (41 × 1100 × 19 mm)		1 pc	676797046	\$388.70
wedi Fundo Riolito neo Exclusive drain cover for Riolito neo base 48 in. × 60 in. and 32 in. × 72 in. (1220 × 1524 mm) and (813 × 1830 mm), Riolito neo Modular 32 in. × 5 3/4 in. (813 × 146 mm)	1 5/8 in. × 27 5/8 in. × 3/4 in. (41 × 700 × 19 mm)		1 pc	676797049	\$357.50


! For tile installation heights of between 3/16 in. to 1 in.
For Fundo Bases Riolito neo and Riolito neo Modular

wedi Fundo Riolito® neo Tileable ■ Cover Plate, Stainless Steel

	Length x Width x Height		Unit	Item #	Retail Price
	wedi Fundo Riolito neo Tileable drain cover for Riolito neo base 36 in. x 60 in. and 48 in. x 72 in. (914 x 1524 mm) and (1220 x 1830 mm), Riolito neo Modular 48 in. x 5 3/4 in. (1220 x 146 mm)	1 5/8 in. x 43 1/4 in. x 3/4 in. (41 x 1100 x 19 mm)	1 pc	676797047	\$388.70
wedi Fundo Riolito neo Tileable drain cover for Riolito neo base 48 in. x 60 in. and 32 in. x 72 in. (1220 x 1524 mm) and (813 x 1830 mm), Riolito neo Modular 32 in. x 5 3/4 in. (813 x 146 mm)	1 5/8 in. x 27 5/8 in. x 3/4 in. (41 x 700 x 19 mm)	1 pc	676797050	\$357.50	

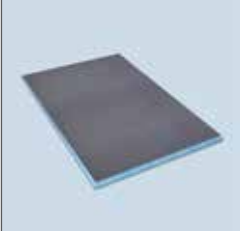
! For tile installation heights of between 3/16" to 1".
Reverse for thinner or thicker tile. For Fundo Bases Riolito neo and Riolito neo Modular

wedi Fundo Discreto® ■ System Component, for Creating Vertical Wall Drainage

	External Dimensions Length x Height x Depth		Unit	Item #	Retail Price
	Channel Length 26.8 in. use with 48 in. x 60 in. / 32 in. x 72 in. Riolito	35 2/5 in. x 6" x 3 1/15 in. (900 x 154 x 80 mm)	1 pc	073738206	\$933.06
Channel Length 42.5 in. use with 36 in. x 60 in. / 48 in. x 72 in. Riolito	47 1/4 in. x 6 in. x 3 1/15 in. (1200 x 154 x 80 mm)	1 pc	073738209	\$1,015.92	


i For installation over wedi Fundo Riolito neo 48" x 60" or 32" x 60" bases

wedi Fundo®/Pre-Sloped Extension Panels

	Length x Width x Thickness		Unit	Item #	Item #
	Straight Extension Panel Pre-grooved	48 in. x 24 in. sloped 1/4 in./ft (610 x 1219 mm sloped 2%)	sheet	073783528	\$233.22
Straight Extension Panel "Lean" Pre-grooved	72 in. x 12 in. sloped 1/4 in./ft (1829 x 305 mm sloped 2%)	sheet	US3000036	\$174.00	
Ligno Extension Panel pre-grooved	12 in. x 60 in. sloped 1/4 in./ft (305 x 1524 mm sloped 2%)	sheet	US3000035	\$178.82	

! Slope extends over 24 in. or 12 in. direction of either extension panel, Pre-grooved
Extension panels are designed to interlock with wedi Fundo Primo bases and 4-way slope wedi Fundo Riolito neo bases. Extension Panels installation height must be increased if connected to Fundo shower bases thicker than 1 1/2 in. at perimeter.

wedi XPS Easy Box

	Dimension	Unit	Item #	Retail Price
	wedi XPS Easy Box	72 in. x 36 in. x 3.35 in. (1829 x 914 x 85 mm)	1 pc	US3000037 (special order only)

i Use wedi XPS Easy Box to increase installation height for wedi Shower Bases Fundo Primo, Riolito neo, Riolito neo Modular. An increase of installation height might become necessary if horizontal drainage must be accommodated below wedi Shower Bases. Such drainage can be integrated into XPS Easy Box on which wedi Shower Bases are installed. XPS block "Easy Box" can be cut to size as required. wedi's solid foam Curbs can be supported by Easy Box when installed at the entry of wedi Shower Bases.

All wedi Fundo shower bases can be cut to size on site or ordered as a custom size.
For more detailed installation and product information visit www.wedicorp.com.

wedi Shower Kit – Primo®



	Dimension	Unit	Item #	Retail Price
Center Drain	36 in. x 36 in. (914 x 914 mm)	1 pc	US2000002	\$895.00
Center Drain	36 in. x 48 in. (914 x 1219 mm)	1 pc	US2000009	\$1,100.00
Center Drain	48 in. x 48 in. (1219 x 1219 mm)	1 pc	US2000010	\$1,160.00
Center Drain	36 in. x 60 in. (914 x 1524 mm)	1 pc	US2000003	\$1,185.00
Center Drain	42 in. x 60 in. (1066 x 1524 mm)	1 pc	US2000013	\$1,370.00
Center Drain	48 in. x 60 in. (1219 x 1524 mm)	1 pc	US2000011	\$1,450.00
Center Drain	42 in. x 72 in. (1066 x 1830 mm)	1 pc	US2000014	\$1,450.00
Center Drain	48 in. x 72 in. (1219 x 1830 mm)	1 pc	US2000012	\$1,600.00
Offset Drain	36 in. x 72 in. (914 x 1830 mm)	1 pc	US2000008	\$1,225.00
Center Drain	36 in. x 72 in. (914 x 1830 mm)	1 pc	US2000001	\$1,225.00

- ! Wall height 80 in. (2032 mm)
 - Standard drain cover included and more options for drain covers on page 138/139
 - See technical drawing for wedi Fundo Primo bases for shower floor design and drain location information on pages 112-119.

- Fundo Primo Shower Base (1)
 - wedi 36 in. or 48 in. x 60 in. x 1/2 in. Building Panels (4)
 - wedi Full Foam Curb, Lean (1)
 - wedi Fundo Kit Drain Standard (1)
 - wedi Joint Sealant (7 10.5 oz. tubes)
 - wedi Fastener Kit (1)
 - wedi Corner Putty Knife (1, screws/washers 100 ct.)
 - wedi Mixing Valve Flexi Collar (1)
 - wedi Flexi Collar (1)

wedi Shower Kit – Riolito® neo



	Dimension	Unit	Item #	Retail Price
Riolito neo Line & Extension Module	32 in. x 72 in. One-Sided Slope (813 x 1830 mm)	1 pc	US2000062	\$1,491.00

- ! Wall height 80" (2032 mm)
 - Drain cover is included and more options for drain covers on pages 134/135
 - See technical drawing for wedi Fundo Riolito neo modular 32 in. x 72 in. for shower floor design and drain location information on pages 123/124.

- Fundo Riolito neo Line Module (1)
 - Fundo Riolito neo Extension Module (1)
 - wedi 36 in. x 60 in. x 1/2 in. Building Panels (6)
 - wedi Full Foam Curb, Lean (1)
 - wedi Riolito Drain Kit (1)
 - wedi Fundo Riolito Standard Cover Plate (1)
 - wedi Joint Sealant (8 10.5 oz tubes)
 - wedi Fastener Kit (1 screws/washers 100ct)
 - wedi Corner Putty Knife (1)
 - wedi Mixing Valve Flexi Collar (1)
 - wedi Flexi Collar (1)

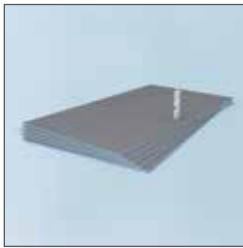
wedi Shower Kit – Ligno®



	Dimension	Unit	Item #	Retail Price
Center Drain	36 in. x 60 in. (914 x 1524 mm)	1 pc	US2000060	\$1,460.00
Center Drain	48 in. x 60 in. (1219 x 1524 mm)	1 pc	US2000061	\$1,769.00

- ! Wall height 80 in. (2032 mm)
- Standard drain cover included and more options for drain covers on page 138/139
- See technical drawing for wedi Fundo Ligno bases for shower floor design and drain location information on pages 120-122.
- ! Fundo Ligno Shower Base (1)
- wedi 36 in. OR 48 in. x 60 in. x 1/2 in. Building Panels (5-6)
- wedi Fundo Kit Drain Standard (1)
- wedi Joint Sealant (8 10.5 oz tubes)
- wedi Sealant 620 (2 10.5 oz tubes)
- wedi Fastener Kit (1 screws/washers 100ct)
- wedi Corner Putty Knife (1)
- wedi Mixing Valve Flexi Collar (1)
- wedi Flexi Collar (1)
- wedi Subliner Dry Mat (1)
- wedi Subliner Dry Sealing Tape Outside Corner (2)

Underlayment Kit



	Kit Contents	Unit	Item #	Retail Price
	(5) wedi 2 ft. x 4 ft. x 1/8 in. Building Panels (600 x 1200 x 6 mm) (1) wedi Joint Sealant, 10.5 oz. (310 ml) 40 x tabless washers and wood screws	1 kit	US4000002	\$180.67

- ! Especially for use with electric floor warming systems.

wedi OneStep Shower System



	External Dimensions Length x Width x Height	Unit	Item #	Retail Price
Center Drain	36 in. x 36 in. x 4 in. (914 x 914 x 102 mm)	1 pc	US4000004	\$698.00
Offset Drain Left	36 in. x 60 in. x 4 in. (914 x 1524 x 102 mm)	1 pc	US4000006	\$860.00
Offset Drain Right	36 in. x 60 in. x 4 in. (914 x 1524 x 102 mm)	1 pc	US4000007	\$860.00

- i Custom Sizes available on request

wedi Shower and Bath Tub Surround Kit





	Kit Contents	Unit	Item #	Retail Price
	(5) wedi 3 ft. x 5 ft. x 1/2 in. Building Panels (914 x 1524 x 12.7 mm) (5) wedi Joint Sealant, 10.5 oz. (310 ml) (1) Mixing Valve Flexi Collar (1) Flexi Collar (1) Corner Putty Knife 100 ct. of wedi Tab Steel Washers 100 ct. of wedi Galvanized Screws	1 kit	US4000001	\$371.49

- i For Tub surrounds, Shower Wall Surrounds and use with wedi Onestep Shower Bases.



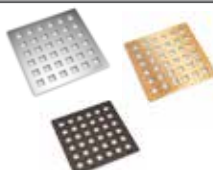
For more detailed installation and product information visit www.wedicorp.com.

wedi Fundo® Drain Units & Kits Standard ■ Drain, PVC, ABS and Brass

		Unit	Item #	Retail Price
	wedi Fundo Drain Kit Standard, ABS, Compression Fit	1 pc	US1000003	\$77.66
	wedi Fundo Drain Kit; Brass, Compression Fit	1 pc	US1000004	\$92.39
	wedi Fundo Glue Drain Kit, PVC	1 pc	US1000035	\$77.66
	wedi Fundo Compression Fit Drain Unit	1 pc	US1000012	\$10.71
	wedi Fundo Brass Compression Fit Drain Unit	1 pc	US1000011	\$32.96
	wedi Fundo Glue Drain, PVC	1 pc	US1000034	\$13.39
	wedi Angle Drain	1 pc	US1000027 <small>(special order only)</small>	\$117.34

- ! ■ Drain Units connect to Schedule 40 pipe
- Compression Fit Drain units can be used with ABS/PVC pipe
- Glue Drain units can be used with ABS floor pipe
- Items sold as Kit contain Drain unit and Cover Set standard
- For wedi Fundo Primo, Ligno and Onestep

wedi Fundo® ■ Premium Drain Covers

		Unit	Item #	Retail Price
	wedi Fundo Tileable Cover Plate For 3/8 in. tile, 3 3/4 in. x 3 3/4 in. stainless steel	1 pc	US1000047	\$110.00
	wedi Fundo Slotted Cover Plate, 4 in. x 4 in.	1 pc	US1000046	\$180.00
	wedi Fundo Chrome Cover Set 4 in. x 4 in.	1 pc	US1000048	\$160.00
	wedi Fundo Brass Cover Set 4 in. x 4 in.	1 pc	US1000049	\$160.00
	wedi Fundo Oil Rubbed Bronze Cover Set 4 in. x 4 in.	1 pc	US1000050	\$160.00

- ! ■ For use with wedi Fundo Primo, Ligno, Onestep, Trollo, Nautilo bases.
- Tileable cover plate surface is elevated 1/16 in. over tile surface of a Fundo base. For a flush tile installation, wedi Joint Sealant spot bonding may be used to install the tile inside the cover so height is reduced versus the thinset bed build up under the tile on the shower base.

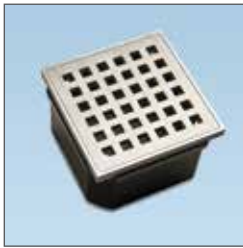
wedi Fundo® ■ Optional Design Covers, Stainless Steel Brushed

		Unit	Item #	Retail Price
	Set 1.1 wedi Fundo Cover Set 1.1, square 4 in. x 4 in. (Daisy Design)	1 pc	US1000021	\$110.00
	Set 3.1 wedi Fundo Cover Set 1.1.2, round (Daisy Design)	1 pc	US1000023	\$110.00
	wedi Fundo Cover Set 1.3, square 4 in. x 4 in. / w. Screws (Daisy Design)	1 pc	US1000022	\$110.00
	wedi Fundo Cover Set 3.1, square 4 in. x 4 in. (Pebbles Design)	1 pc	US1000024	\$110.00
	Set 1.1.2 wedi Fundo Fino Cover Set 3.1.2, round (Pebbles Design)	1 pc	US1000026	\$110.00
	Set 3.1.2 wedi Fundo Cover Set 3.3, square 4 in. x 4 in. / w. Screws (Pebbles Design)	1 pc	US1000025	\$110.00

- ! ■ For use with wedi Fundo Primo, Ligno, Onestep, Trollo, Nautilo bases.
- Tileable cover plate surface is elevated 1/16 in. over tile surface of a Fundo base. For a flush tile installation, wedi Joint Sealant spot bonding may be used to install the tile inside the cover so height is reduced versus the thinset bed build up under the tile on the shower base.

- 1 drain cover, stainless steel
- 1 Frame, stainless steel

wedi Fundo® Standard ▪ Drain Cover, Stainless Steel Base



	Length x Width	Unit	Item #	Retail Price
Brushed Stainless Steel	4 in. x 4 in. (100 x 100 mm)	1 pc	US1000009	\$64.27
Brushed Stainless Steel with Screws	4 in. x 4 in. (100 x 100 mm)	1 pc	US1000029	\$64.27

- !** For this drain cover, the height of your tiling must be at least 1/4 in.
 - For use with wedi Fundo Primo, Ligno, Onestep, Trollo, Nautilo bases.
 - The Standard Drain Cover included in Fundo Systems Primo/Ligno/Onestep/Trollo/Nautilo is US1000009
- 👉** 1 drain cover, stainless steel
 - 1 frame, stainless steel

wedi Fundo® Drain Wrench



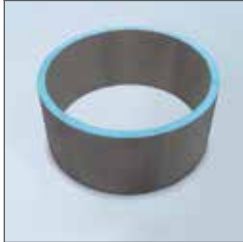
	Unit	Item #	Retail Price
wedi Caulking Nut Wrench	1 pc	US5000032	\$16.07

- i** Support tool used to tighten wedi Fundo Primo compression fit rubber gaskets

wedi Fundo® Trollo ▪ Designer Shower





	Dimensions	Unit	Item #	Retail Price
wedi Fundo Trollo, wall unit	43 1/8 in. x 43 1/8 in. x 79 1/3 in. (1100 x 1100 x 2015 mm)	1 pc	041709002	\$2,749.88 (special order only)
wedi Fundo Trollo, shower base	44 7/8 in. x 44 7/8 in. x 1 1/2 in. (1140 x 1140 x 40 mm)	1 pc	073736575	\$1,329.67 (special order only)



	Dimensions	Unit	Item #	Retail Price
Extension unit	72 7/8 in. x 58 in. x 19 2/3 in. (1850 x 1475 x 500 mm)	1 pc	041709052	\$1,092.45 (special order only)
Glass swing door	Height: 78 1/4 in. (1990 mm)	1 pc	608001100	\$3,883.05 (special order only)
Glass sliding door	Height: 74 7/8 in. (1900 mm)	1 pc	608001200	\$3,355.61 (special order only)

- !** The glass door can only be mounted after tiling.
 - Equipped with Drain Unit and Cover Set
Brushed Stainless Steel
- 👉** 1 floor base
 - 2 wall segments type "A"
 - 3 wall segments type "B"
 - 4 splines
 - 2 – 82 ft. self-adhesive joint reinforcement tape
 - 3 wedi Joint Sealant
- i** No framing needed for this system made of wedi 2" Building Panel.
- ft²** wedi Fundo Trollo, designer shower:
 - Inside wall: approx. 66 sq. ft.
 - Outside wall: approx. 75 sq. ft.
 - Floor: approx. 9 sq. ft.
- Extension collar:
 - Inside wall: approx. 18 sq. ft.
 - Outside wall: approx. 20 sq. ft.

wedi Fundo® Nautilo ■ Designer Shower Right Entry

	Dimensions	Unit	Item #	Retail Price
	wedi Fundo Nautilo, wall unit	73 in. x 58 in. x 79 1/3 in. (1850 x 1475 x 2015 mm)	1 pc	041708000 \$4,201.24 <small>(special order only)</small>
	wedi Fundo Nautilo, shower base, right entry	74 3/8 in. x 59 2/3 in. x 2 in. (1890 x 1515 x 50 mm)	1 pc	073736066 \$1,770.94 <small>(special order only)</small>

i No framing needed for this system made of wedi 2 in. Building Panel.



ft² wedi Fundo Nautilo, designer shower:

- Inside wall: approx. 110 sq. ft.
- Outside wall: approx. 124 sq. ft.
- Floor: approx. 18 sq. ft.

Extension collar:

- Inside wall: approx. 24 sq. ft.
- Outside wall: approx. 27 sq. ft.

wedi Fundo® Nautilo ■ Designer Shower Left Entry

	Dimensions	Unit	Item #	Retail Price
	wedi Fundo Nautilo, wall unit	73 in. x 58 in. x 79 1/3 in. (1850 x 1475 x 2015 mm)	1 pc	041708000 \$4,201.24 <small>(special order only)</small>
	wedi Fundo Nautilo, shower base, left entry	74 3/8 in. x 59 2/3 in. x 2 in. (1890 x 1515 x 50 mm)	1 pc	073736065 \$1,770.94 <small>(special order only)</small>

i No framing needed for this system made of wedi 2 in. Building Panel.


ft² wedi Fundo Nautilo, designer shower:

- Inside wall: approx. 110 sq. ft.
- Outside wall: approx. 124 sq. ft.
- Floor: approx. 18 sq. ft.

Extension collar:

- Inside wall: approx. 24 sq. ft.
- Outside wall: approx. 27 sq. ft.

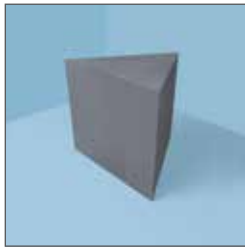
wedi Shower Seat M&L ■ Suspended Seats

	Length x Width x Height	Unit	Item #	Retail Price
	wedi Shower Seat M	17 in. x 17 in. (wall sides) x 4 in. (432 x 432 (wall sides) x 100 mm)	1 pc	US3000001 \$139.00
	wedi Shower Seat L	24 in. x 24 in. (wall sides) x 4 in. (610 x 610 (wall sides) x 100 mm)	1 pc	US3000002 \$159.00

i ■ wedi Joint Sealant is included for adhesion

- wedi Fiberglass Mesh Tape is included for the wall/floor connection

wedi Shower Bench & Seat ■ Full Foam Triangular Seats



	Length x Width x Height	Unit	Item #	Retail Price
wedi Triangle Seat Full Foam/ Wall-Floor Adhered	23 in. x 23 in. (sides) x 20 in. (584 x 584 (sides) x 508 mm)	1 pc	073784101	\$270.00

! Full foam corner seat made of solid XPS foam. These units are pre-made and ready for thinset installation against walls and feature a 1/8 in. slope to the front.

wedi Sanoasa® Shower Bench 1



	Length x Depth x Height	Unit	Item #	Retail Price
wedi Sanoasa Shower Bench 1 M	≈35 in. x 18 in. x 15 in. (900 x 454 x 380 mm)	1 pc	US3000042	\$505.00
wedi Sanoasa Shower Bench 1 L	≈47 in. x 18 in. x 15 in. (1200 x 454 x 380 mm)	1 pc	US3000043	\$607.00

! The bench is delivered in four parts: Bench element, substructure element and 2 side elements

- wedi Joint Sealant is included for adhesion
- wedi Fiberglass Mesh Tape is included for the wall/floor connection

wedi Sanoasa® Shower Bench 2



	Length x Depth x Height	Unit	Item #	Retail Price
wedi Sanoasa Shower Bench 2 M	≈35 in. x 18 in. x 15 in. (900 x 454 x 380 mm)	1 pc	US3000044	\$505.00
wedi Sanoasa Shower Bench 2 L	≈47 in. x 18 in. x 15 in. (1200 x 454 x 380 mm)	1 pc	US3000045	\$607.00

! The bench is delivered in four parts: Bench element, substructure element and 2 side elements

- wedi Joint Sealant is included for adhesion
- wedi Fiberglass Mesh Tape is included for the wall/floor connection

wedi Sanoasa® Shower Bench 3




	Length x Depth x Height	Unit	Item #	Retail Price
wedi Sanoasa Shower Bench 3 M	≈35 in. x 18 in. x 15 in. (900 x 454 x 380 mm)	1 pc	US3000046	\$505.00
wedi Sanoasa Shower Bench 3 L	≈47 in. x 18 in. x 15 in. (1200 x 454 x 380 mm)	1 pc	US3000047	\$607.00

! The bench is delivered in four parts: Bench element, substructure element and 2 side elements


- wedi Joint Sealant is included for adhesion
- wedi Fiberglass Mesh Tape is included for the wall/floor connection

wedi Sanoasa® Shower Bench 4



	Length x Depth x Height	Unit	Item #	Retail Price
wedi Sanoasa Shower Bench 4, straight	47 1/4 in. x 15 in. x 3 1/8 in. in. (1200 x 380 x 80 mm)	1 pc	US3000000	\$343.07
<p>i ■ wedi Joint Sealant is included for adhesion</p> <p>■ wedi Fiberglass Mesh Tape is included for the wall/floor connection</p>				

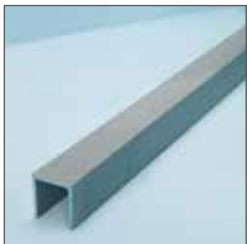
wedi Sanoasa® Floating Bench



	Length x Depth x Height	Unit	Item #	Retail Price
	59 in. x 17 7/10 in. x 3 9/10 in. (1500 x 450 x 100 mm)	1 pc	076400760 (special order only)	\$1,806.09
	78 in. x 17 7/10 in. x 3 9/10 in. (2000 x 450 x 100 mm)	1 pc	076400760 (special order only)	\$2,193.11
	98 in. x 17 7/10 in. x 3 9/10 in. (2500 x 450 x 100 mm)	1 pc	076400760 (special order only)	\$2,580.12
	118 in. x 17 7/10 in. x 3 9/10 in. (3000 x 450 x 100 mm)	1 pc	076400760 (special order only)	\$2,967.14
Corner Element	17 7/10 in. x 17 7/10 in. x 3 9/10 in. (450 x 450 x 100 mm)	1 pc	076400761 (special order only)	\$1,290.06

- i** ■ wedi Joint Sealant is included for adhesion
- wedi Fiberglass Mesh Tape is included for the wall/floor connection

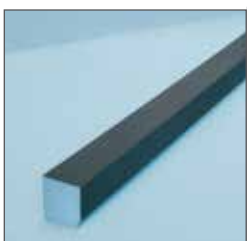
wedi Curb Over



	Length x Width x Height	Unit	Item #	Retail Price
	5 in. x 4 1/2 in. x 60 in. (127 x 114 x 1524 mm)	1 pc	US3000008	\$80.57
	5 in. x 4 1/2 in. x 96 in. (127 x 114 x 2500 mm)	1 pc	US3000010	\$115.73

! Installation over 2 in. x 4 in. construction. CAUTION: Do not allow Glass Door Assembly to penetrate Curb Over.

wedi Full Foam Curb



	Length x Width x Height	Unit	Item #	Retail Price
	5 in. x 4 1/2 in. x 60 in. (127 x 114 x 1524 mm)	1 pc	US3000039	\$95.00
Master pack	5 in. x 4 1/2 in. x 60 in. (127 x 114 x 1524 mm)	6 pc	US3000030	\$568.00
	5 in. x 4 1/2 in. x 96 in. (127 x 114 x 2500 mm)	1 pc	US3000041	\$139.00

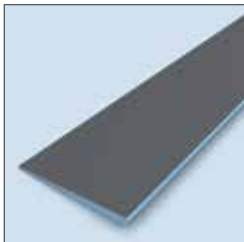
- !** Sloped on top surface

wedi Curb Full Foam ■ Lean

	Length x Width x Height		Unit	Item #	Retail Price
		2 in. x 3 1/2 in. x 60 in. (51 x 89 x 1524 mm)	1 pc	US3000038	\$50.00
	Master Pack	2 in. x 3 1/2 in. x 60 in. (51 x 89 x 1524 mm)	6 pc	US3000031	\$301.06
		2 in. x 3 1/2 in. x 96 in. (51 x 89 x 2438 mm)	1 pc	US3000040	\$80.00


 Sloped on top surface

wedi Shower Ramp

	Length x Width x Height		Unit	Item #	Retail Price
	wedi Shower Ramp*	5 ft. x 15 in., sloped 1 1/2 in. to 1/4 in. (1524 x 406.4 mm, sloped 38.1 to 6.35 mm)	1 pc	073736517	\$223.73

 *ADA compliant


wedi Shower Niche

	Dimensions		Unit	Item #	Retail Price
		16 in. x 8 in. x 4 in. (406 x 203 x 102 mm) ext. 12 in. x 4 in. x 3 1/2 in. (304 x 102 x 89 mm) int.	1 pc	US3000003	\$52.53
		16 in. x 12 in. x 4 in. (406 x 305 x 102 mm) ext. 12 in. x 8 in. x 3 1/2 in. (304 x 203 x 89 mm) int.	1 pc	US3000004	\$65.20
		16 in. x 16 in. x 4 in. (406 x 406 x 102 mm) ext. 12 in. x 12 in. x 3 1/2 in. (304 x 304 x 89 mm) int.	1 pc	US3000005	\$67.24
		16 in. x 22 in. x 4 in. (406 x 559 x 102 mm) ext. 12 in. x 18 in. x 3 1/2 in. (304 x 457 x 89 mm) int. incl. removable shelf	1 pc	US3000007	\$83.84
		16 in. x 42 in. x 4 in. (406 x 170 x 102 mm) ext. 12 in. x 38 1/4 in. x 3 1/2 in. (304 x 972 x 89 mm) int. incl. 2 removable shelves	1 pc	US3000024	\$144.77
		16 in. x 30 in. x 3 1/2 in. (406 x 762 x 89 mm) ext. 12 in. x 26 in. x 3 in. (304 x 660 x 76 mm) int. incl. removable shelf	1 pc	US3000016	\$100.98

 ■ Installation over 2 in. x 4 in. construction, 16 in. o.c. framework

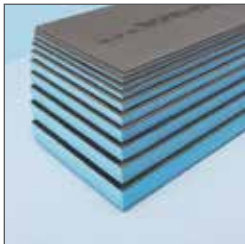
■ Exterior dimensions and interior dimensions listed

wedi Vapor 85 ■ Building Panel for Steam Rooms/Showers

	Length x Width x Height		Unit/Pallet	Item #	Retail Price
	Building Panel	3' x 8' x 1/2 in. (900 x 2500 x 12.5 mm)	min. 12 sheets - 50/pallet	010702912	\$159.00
Fastener Patch Kit	3 in. x 3 in. squares (76 x 76 mm squares)	100 pieces/bag	US5000089	\$19.58	

 ■ Use in conjunction with our wedi Sealant 620 (pg. 153), wedi Tabless Washer Fastener Kit (pg. 153) and wedi Subliner Dry Sealing Tape (pg. 154)


wedi Building Panel



	Length x Width x Height	Unit/Pallet	Item #	Retail Price
	24 in. x 48 in. x 1/8 in. (600 x 1219 x 4 mm)	10 sheets/ box.	US8000006	\$29.13
	48 in. x 60 in. x 1/4 in. (1219 x 1524 x 6 mm)	25 sheets/pallet	US8000013	\$72.80
	36 in. x 60 in. x 1/2 in. (914 x 1524 x 12.7 mm)	50 sheets/pallet	US8000017	\$57.00
	48 in. x 60 in. x 1/2 in. (1219 x 1524 x 12.7 mm)	50 sheets/pallet	US8000014	\$74.40
	48 in. x 60 in. x 5/8 in. (1219 x 1524 x 15.8 mm)	4 sheets/box	US8000011	\$82.00
	48 in. x 48 in. x 3/4 in. (1219 x 1219 x 20 mm)	4 sheets/box	US8000007	\$67.20
	48 in. x 60 in. x 1 in. (1219 x 1524 x 25.4 mm)	25 sheets/pallet	US8000012	\$86.00
	48 in. x 48 in. x 1 1/2 in. (1219 x 1219 x 40 mm)	2 sheets/box	US8000008	\$80.00
	48 in. x 48 in. x 2 in. (1219 x 1219 x 50 mm)	2 sheets/box	US8000009	\$89.60

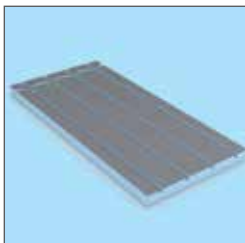
 Several sizes are available for ordering at smaller quantities upon request.

wedi Building Panel XL & XXL




	Length x Width x Height	Unit/Pallet	Item #	Retail Price
	48 in. x 96 in. x 1/2 in. (1219 x 2438 x 12.7 mm)	4 sheets/box	US8000010	\$121.60
	48 in. x 96 in. x 1/2 in. (1219 x 2436 x 12.7 mm)	50 sheets/pallet	US8000015	\$121.60
	48 in. x 96 in. x 2 in. (1219 x 2438 x 50.8 mm)	12 sheets/pallet	US8000016	\$185.60

wedi Pre-Line ■ Hydronic Floor Warming Panels



	Dimensions	Unit	Item #	Retail Price
	48 4/5 in. x 23 3/5 in. x 1 1/4 in. (1240 x 600 x 30 mm)	1 pc	076400257	\$64.76


wedi Sealant 620

	Contents		Unit	Item #	Retail Price
		10.5 oz (310 ml)	1 Cartridge	US5000088	\$28.00
		20 oz (600 ml)	1 Sausage	US5000083	\$38.00

i wedi Sealant 620 is a moisture curing sealant remaining very flexible even when cured. In dry air or colder environments, the curing time may extend up to 24-48 hours, also depending on the amount used and sandwiched between waterproof surfaces (tape/ wedi Vapor 85), allow for extra time before tiling and grouting with epoxy mortars and/or using tile larger than 12 in. x 12 in. The extended curing times prior to exposure to water or water vapor are added. In the average steam room project, please plan for a consumption of (1) 20 ounce sausage for every 24 sft. of wedi Vapor 85 panel surface installed.


! Used to seal between overlapping Subliner Dry seams and to install and seal Subliner Dry sealing tape over seams. Also to be used with wedi Vapor 85 joint and fastener sealing in steam rooms using Subliner Dry sealing tape. and tape for sealing purposes. Not used for adhering structure assembly components, for example when building custom seats (use wedi joint sealant).

wedi Fastener Kit

	Contents		Unit	Item #	Retail Price
	wedi Fastener Kit	100 wedi Coarse Thread Screws 1 5/8 in. (41.5 mm) 100 wedi Tab Steel Washers	1 pc	US5000070	\$31.20
	wedi Tabless Washer Fastener Kit	100 wedi Coarse Thread Screws 1 5/8 in. (41.5 mm) 100 wedi Tabless Steel Washers (use for flooring with 1/4 in. panel, as well as with the wedi Vapor 85 Building Panel)	1 pc	US5000086	\$31.20

i Phillips head for wood studs, premium ceramic coating (ACQ Compliant). For installation to wooden and metal framework (20 gauge).
 Tabbed washers provide four tabs for fast and secure placement. wedi Washers provide a solid gauge according to ISO standards and less potential for deformation. Load capabilities are independently tested.

wedi Accessories | Coarse Thread Screws, Ceramic Coating

			Length	Unit/Box	Item #	Retail Price
	Coarse thread screws, ceramic coating, for wood and metal studs 20 gauge and lighter		1 5/8 in. (41.5 mm)	1000 pcs	US5000012	\$91.86
	Fine thread screws, zinc coating, for metal studs 18 gauge and heavier		1 1/4 in. (31.75 mm)	100 pcs	US5000018	\$21.92


i Phillips head for wood studs, premium ceramic coating (ACQ Compliant). For installation to wooden and metal framework (20 gauge).
 For installation to metal framing 18 ga. or heavier.

wedi Accessories ■ Tab Steel Washers, Galvanized

			Diameter	Unit/Box	Item #	Retail Price
			1 1/4 in. (32 mm)	1000 pcs	US5000009	\$140.26

i Tabbed washers provide four tabs for fast and secure placement. wedi Washers provide a solid gauge according to ISO standards and less potential for deformation. Load capabilities are independently tested.


wedi Accessories ■ Meshtape, Self-adhesive



	Width × Roll Length	Unit/Box	Item #	Retail Price
Meshtape, self-adhesive	5 in. × 82 ft. (125 mm × 25 m)	1 roll	095225053	\$24.87
Meshtape, self-adhesive *Special Order	24 in. × 164 ft. (600 mm × 50 m)	1 roll	095215052	\$236.55

i The mesh tape is alkali resistant.


wedi Accessories ■ Waterproof Sealing Tape, Fleece Laminated



	Width × Roll Length	Unit/Box	Item #	Retail Price
	5 in. × 32.8 ft. (127 mm × 10 m)	1 roll	US5000002	\$46.59

i Also for use within wedi Subliner Dry, wedi Vapor 85 applications, and install in wedi 620 Sealant for waterproof performance of seams throughout.

wedi Subliner® Dry ■ Waterproofing Sheet Membrane




	Width × Roll Length	Unit	Item #	Retail Price
	39" × 16' (1 × 5 m)	1 roll	US5000001	\$97.10
	39" × 98' (1 × 30 m)	1 roll	US5000005	\$544.31

i wedi Sealant 620 is a moisture curing sealant remaining very flexible even when cured. In dry air or colder environments, the curing time may extend up to 24-48 hours, also depending on the amount used and sandwiched between waterproof surfaces (tape/ wedi Vapor 85), allow for extra time before tiling and grouting with epoxy mortars and/or using tile larger than 12 in. x 12 in. The extended curing times prior to exposure to water or water vapor are added. In the average steam room project, please plan for a consumption of (1) 20 ounce sausage for every 24 sq. ft. of wedi Vapor 85 panel surface installed.

! Flexible waterproofing membrane for medium and high exposure wet areas – for interior surfaces/showers and steam showers.



wedi Accessories ■ wedi Tub Sealing Tape with Waterproof Butyl Connection Strip



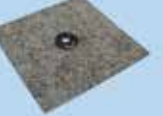

	Width × Roll Length	Unit/Box	Item #	Retail Price
	4.72 in. × 11.8 in. (120 mm × 3.6 m)	1 roll	US5000084	\$55.12

i Use with wedi Joint Sealant to affix to horizontal framing blocks



wedi Accessories ■ Corner Sealing Tape, Fleece Laminated

		Dimensions	Unit	Item #	Retail Price
	Inside Corner	4 3/4 in. x 4 3/4 in. x 2 1/4 in. (115 x 115 x 57.15 mm)	2 pcs/bag	US5000007	\$15.60
	Outside Corner	4 3/4 in. x 4 3/4 in. x 2 1/4 in. (115 x 155 x 57.15 mm)	2 pcs/bag	US5000008	\$15.60
<p>i Also for use within wedi Subliner Dry, wedi Vapor 85 applications, and install in wedi 620 Sealant for waterproof performance of seams throughout.</p>					

wedi Sealing Collars

		Dimensions	Unit	Item #	Retail Price
	Waterproof Sealing Collar for 1/2 in. to 3/4 in. plumbing pipes and protrusions	4 3/4 in. x 4 3/4 in. (115 x 115 mm)	1 pc	US5000033	\$13.16
	Mixing Valve Flexi Collar	Diameter 5 in. (127 mm)	1 pc	US5000000	\$15.97
<p>i These can be installed in all shower and steam room installations with wedi Subliner Dry and the wedi Vapor 85 system. In steam room installations be sure to use wedi 620 Sealant. In wedi Fundo shower assemblies and where applied over wedi Building Panel, you may use regular wedi Joint Sealant to install the products.</p>					

wedi Joint Sealant ■ MS Polymer Sealant and Adhesive

		Contents	Unit	Item #	Retail Price
	12 per case / full cases only	10.5 oz. (310 ml)	1 Cartridge	US5000013	\$17.00
	20 per case / full cases only	20 oz. (591 ml)	1 Sausage	US5000010	\$28.00
<p>! Permanently flexible, waterproof sealant and adhesive for joint treatment.</p>					

wedi Sausage Gun ■ Gun for MS Polymer Sealant Sausages and Replacement Tips

		Unit	Item #	Retail Price
	wedi Sausage Gun	1 piece	US5000019	\$78.28
	wedi Sausage Gun Replacement Tip	per piece	US5000020	\$1.09

wedi Tools ■ Corner Putty Knife



	Unit/Bag	Item #	Retail Price
wedi tools, corner putty knife for wedi shower system installations	1 pc	US5000044	\$4.69

i Use to smooth out wedi Joint Sealant applications.

wedi Sanbath® Floating Wash Basin with channel



	Dimensions	Unit	Item #	Retail Price
Custom Option 1	30"-35 1/2 in. with 27 1/2 in. channel height 4.7 in. / depth 19.6 in. (760-900 mm - 700 mm channel height 120 mm / depth 500 mm)	1 pc	073606098 (special order only)	\$2,254.96
Custom Option 2	35 1/2 in.- 43 1/4 in. with 27 1/2 in. channel height 4.7 in. / depth 19.6 in. (901-1100 mm - 700 mm channel height 120 mm / depth 500 mm)	1 pc	073606098 (special order only)	\$2,282.72
Custom Option 3	43 1/4 in.-51 in. with 27 1/2 in. height 4.7 in. / depth 19.6 in. (1101-1300 mm - 700 mm channel height 120 mm / depth 500 mm)	1 pc	073606098 (special order only)	\$2,317.12

wedi Sanoasa® Comoda ■ Wellness Bench




	Dimensions	Unit	Item #	Retail Price
Bench element, slope to front	39 3/8 in. (1000 mm)	1 pc	076447015 (special order only)	\$285.77
Bench element, slope to front	78 3/4 in. x 23 5/8 in. x 24 7/16 in. (2000 mm)	1 pc	076438000 (special order only)	\$773.13
Carrier element, round finish length	39 3/8 in. x 19 11/16 in. x 9 7/8 in. (1000 mm)	1 pc	076437500 (special order only)	\$242.79
Carrier element, straight finish length	39 3/8 in. x 19 11/16 in. x 9 7/8 in. (1000 mm)	1 pc	076437000 (special order only)	\$122.84
90 corner element, straight, slope to front	25 5/8 in. x 19 11/16 in. x 24 7/16 in. (650 x 650 x 620 mm)	1 pc	076447004 (special order only)	\$694.62
Carrier corner element, 90	19 11/16 in. x 25 5/8 in. x 9 7/8 in. (650 x 650 x 520 mm)	1 pc	076447005 (special order only)	\$279.16
90 corner element, round slope to front	25 5/8 in. x 19 11/16 in. x 24 7/16 in. (850 x 650 x 620 mm)	1 pc	076447000 (special order only)	\$1,112.06
Carrier corner element, 90	19 11/16 in. x 25 5/8 in. x 9 7/8 in. (850 x 650 x 620 mm)	1 pc	076447001 (special order only)	\$533.29
135 corner element, straight, slope to front	15 3/4 in. (sides) x 19 11/16 in. x 24 7/16 in. (650 x 650 x 620 mm)	1 pc	076447006 (special order only)	\$812.88
Carrier corner element, 135	15 3/4 in. (sides) x 19 11/16 in. x 9 7/8 in. (650 x 650 x 620 mm)	1 pc	076447007 (special order only)	\$321.01
135 corner element, round slope to front	15 3/4 in. (sides) x 19 11/16 in. x 24 7/16" in. (850 x 650 x 620 mm)	1 pc	076447002 (special order only)	\$1,048.79
Carrier corner element, 135	15 3/4 in. (sides) x 19 11/16 in. x 9 7/8 in. (850 x 650 x 620 mm)	1 pc	076447003 (special order only)	\$704.09
Corner element left, R=200, slope to front	23 5/8 in. x 11 3/16 in. x 24 7/16 in. (600 x 300 x 620 mm)	1 pc	076447011 (special order only)	\$532.00
Carrier element, R=200	19 11/16 in. x 7 7/8 in. x 9 7/8 in. (500 x 200 x 250 mm)	1 pc	076447013 (special order only)	\$277.61
Corner element left, R=600, slope to front	27 9/16 in. x 23 5/8 in. x 24 7/16 in. (700 x 600 x 620 mm)	1 pc	076447008 (special order only)	\$754.83
Carrier element, R=600	25 5/8 in. x 25 5/8 in. x 4 1/8 in. (600 x 500 x 250 mm)	1 pc	076447010 (special order only)	\$632.90
Corner element left, R=200, slope to front	23 5/8 in. x 11 3/16 in. x 24 7/16 in. (600 x 300 x 620 mm)	1 pc	076447012 (special order only)	\$532.00
Carrier element, R=200	19 11/16 in. x 7 7/8 in. x 9 7/8 in. (500 x 200 x 250 mm)	1 pc	076447013 (special order only)	\$277.61
Corner element left, R=600, slope to front	27 9/16 in. x 23 5/8 in. x 24 7/16 in. (700 x 600 x 620 mm)	1 pc	076447009 (special order only)	\$754.83
Carrier element, R=600	23 5/8 in. x 19 11/16 in. x 9 7/8 in. (600 x 500 x 250 mm)	1 pc	076447007 (special order only)	\$632.90
Armrest	25 5/8 in. x 25 5/8 in. x 4 1/8 in. (650 x 150 x 870 mm)	1 pc	076448014 (special order only)	\$479.87

wedi Sanoasa® Bellina ■ Wellness Bench




Description	Dimensions	Unit	Item #	Retail Price
Bench element, slope to front	39 3/8 in. x 19 1/8 in. x 9 7/16 in. (1000 mm)	1 pc	076448015 (special order only)	\$259.28
Bench element, slope to front	78 3/4 in. x 19 1/8 in. x 9 1/2 in. (2000 mm)	1 pc	076441000 (special order only)	\$554.91
Carrier element, round finish length	39 3/4 in. x 15 1/4 in. x 7 7/8 in. (1000 mm)	1 pc	076441600 (special order only)	\$242.79
Carrier element, straight finish length	39 3/4 in. x 15 1/4 in. x 7 7/8 in. (1000 mm)	1 pc	076441500 (special order only)	\$122.84
Corner element, straight, slope to front	21 11/16 in. x 21 11/16 in. x 9 1/2 in. (650 x 650 x 620 mm)	1 pc	076448004 (special order only)	\$499.71
Carrier corner element, 90	19 1/8 in. x 15 1/4 in. x 9 7/8 in. (650 x 650 x 520 mm)	1 pc	076448005 (special order only)	\$299.47
Corner element, round slope to front	29 in. x 29 in. x 9 1/2 in. (850 x 650 x 620 mm)	1 pc	076448000 (special order only)	\$611.86
Carrier corner element, 90	29 in. x 15 1/4 in. x 9 7/8 in. (850 x 650 x 620 mm)	1 pc	076448001 (special order only)	\$518.80
Corner element, straight, slope to front	11 13/16 in. (sides) x 19 1/8 in. x 9 1/2 in. (486 x 486 x 240 mm)	1 pc	076448006 (special order only)	\$575.89
Carrier corner element, 135	11 13/16 in. (sides) x 15 1/4 in. x 9 7/8 in. (512 x 485 x 250 mm)	1 pc	076448007 (special order only)	\$310.28
Corner element, round slope to front	25 1/8 in. x 23 15/16 in. x 9 1/2 in. (638 x 608 x 240 mm)	1 pc	076448002 (special order only)	\$543.46
Carrier corner element, 135	25 1/8 in. x 19 1/8 in. x 9 7/8 in. (638 x 486 x 250 mm)	1 pc	076448003 (special order only)	\$543.78
Corner element left, R=200, slope to front	19 1/8 in. x 11 3/16 in. x 9 1/2 in. (486 x 300 x 240 mm)	1 pc	076448011 (special order only)	\$550.39
Carrier element, R=200	15 1/4 in. x 7 7/8 in. x 9 7/8 in. (386 x 200 x 250 mm)	1 pc	076448013 (special order only)	\$318.59
Corner element left, R=600, slope to front	19 1/8 in. x 23 5/8 in. x 9 7/16 in. (600 x 486 x 240 mm)	1 pc	076448008 (special order only)	\$753.52
Carrier element, R=600	15 1/4 in. x 19 11/16 in. x 9 7/8 in. (500 x 386 x 250 mm)	1 pc	076448010 (special order only)	\$689.23
Corner element right, R=200, slope to front	19 1/8 in. x 11 3/16 in. x 9 1/2 in. (486 x 300 x 240 mm)	1 pc	076448012 (special order only)	\$550.39
Carrier element, R=200	15 1/4 in. x 7 7/8 in. x 9 7/8 in. (386 x 200 x 250 mm)	1 pc	076448013 (special order only)	\$318.59
Corner element right, R=600, slope to front	19 1/8 in. x 23 5/8 in. x 9 7/16 in. (600 x 486 x 240 mm)	1 pc	076448009 (special order only)	\$753.52
Carrier element, R=600	15 1/4 in. x 19 11/16 in. x 9 7/8 in. (500 x 386 x 250 mm)	1 pc	076448010 (special order only)	\$689.23
Armrest	21 11/16 in. x 4 1/8 in. x 25 5/8 in. (650 x 105 x 870 mm)	1 pc	076448014 (special order only)	\$479.87

wedi Sanoasa® Loungers ■ Wellness Loungers



	Dimensions	Unit	Item #	Retail Price
Lounger 1, Lounger without heating	75 9/16 in. x 27 9/16 in. x 26 1/2 in. (1920 x 700 x 672 mm)	1 pc	076400042 (special order only)	\$2,260.47
Lounger 2, Lounger without heating	56 3/4 in. x 27 9/16 in. x 43 3/8 in. (1442 x 700 x 1104 mm)	1 pc	076400045 (special order only)	\$2,853.14
Lounger 3, Lounger without heating	73 1/6 in. x 27 9/16 in. x 30 1/16 in. (1856 x 700 x 764 mm)	1 pc	076400049 (special order only)	\$2,857.63
Lounger 4, Lounger without heating	79 5/16 in. x 27 9/16 in. x 36 1/4 in. (2014 x 700 x 921 mm)	1 pc	076400053 (special order only)	\$2,862.12
Lounger 5, Lounger without heating	68 7/16 in. x 27 9/16 in. x 35 1/16 in. (1738 x 700 x 890 mm)	1 pc	076400059 (special order only)	\$1,717.39

wedi Sanoasa® Shine Loungers ■ Wellness Loungers



	Dimensions	Unit	Item #	Retail Price
Lounger 1 - custom colors	75 9/16 in. x 27 9/16 in. x 26 1/2 in. (1920 x 700 x 672 mm)	1 pc	076400065 (special order only)	\$9,200.00
Lounger 1 - custom colors, pearlescent	75 9/16 in. x 27 9/16 in. x 26 1/2 in. (1920 x 700 x 672 mm)	1 pc	076400066 (special order only)	\$12,265.91
Lounger 2 - custom colors	56 3/4 in. x 27 9/16 in. x 43 3/8 in. (1442 x 700 x 1104 mm)	1 pc	076400068 (special order only)	\$10,731.82
Lounger 2 - custom colors, pearlescent	56 3/4 in. x 27 9/16 in. x 43 3/8 in. (1442 x 700 x 1104 mm)	1 pc	076400069 (special order only)	\$13,799.97
Lounger 3 - custom colors	73 1/6 in. x 27 9/16 in. x 30 1/16 in. (1856 x 700 x 764 mm)	1 pc	076400071 (special order only)	\$10,731.82
Lounger 3 - custom colors, pearlescent	73 1/6 in. x 27 9/16 in. x 30 1/16 in. (1856 x 700 x 764 mm)	1 pc	076400072 (special order only)	\$13,799.78
Lounger 4 - custom colors	79 5/16 in. x 27 9/16 in. x 36 1/4 in. (2014 x 700 x 921 mm)	1 pc	076400074 (special order only)	\$12,265.91
Lounger 4 - custom colors, pearlescent	79 5/16 in. x 27 9/16 in. x 36 1/4 in. (2014 x 700 x 921 mm)	1 pc	076400075 (special order only)	\$15,331.82
Lounger 5 - custom colors	68 7/16 in. x 27 9/16 in. x 35 1/16 in. (1738 x 700 x 890 mm)	1 pc	076400077 (special order only)	\$8,431.82
Lounger 5 - custom colors, pearlescent	68 7/16 in. x 27 9/16 in. x 35 1/16 in. (1738 x 700 x 890 mm)	1 pc	076400078 (special order only)	\$11,500.00



Did you know?

Great quality installation results depend on not only having great products to use – the Know-How and Experience in how to use them is key too. We have trained a variety of installers around the country and now they fully know and appreciate what they can achieve with wedi.

This educational service is offered to all professional contractors of all trades and wedi's local Technical Sales Support Managers come out on site and install with you when you do your first wedi shower installation. Your peace of mind – at no charge. Just a call away!

wedi is a proud member of:



Be sure to ask for:



Follow us on:

Instagram: @wedicorp

www.youtube.com/wedicorp

www.facebook.com/wedicorp

Certified wedi Installer

wedi-quality and performance certified by:



Serving USA and Canada



wedi

Phone: 1-847-357-9815

Fax: 1-847-357-9819

info@wedicorp.com

www.wedicorp.com



Your local wedi distributor:

