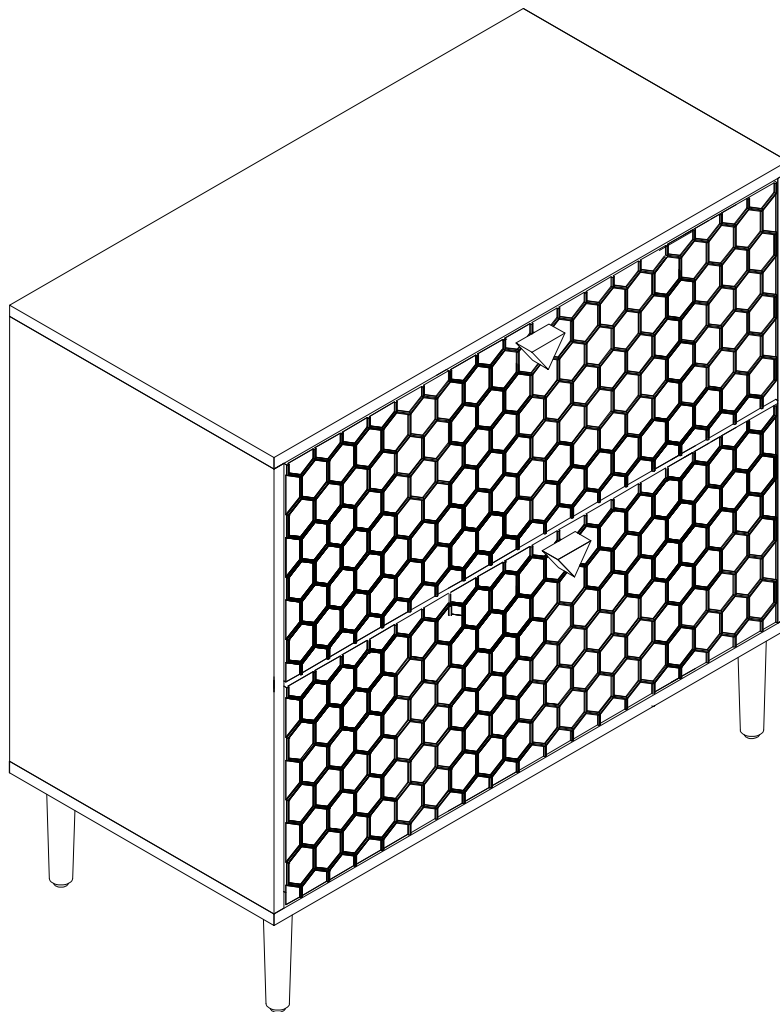


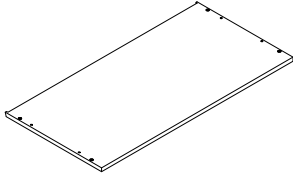
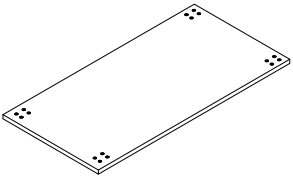
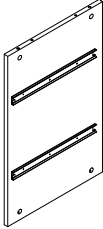
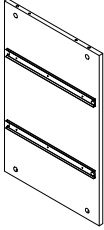
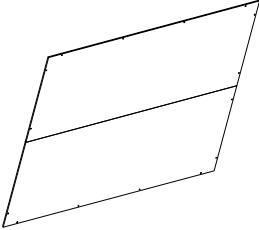

ASSEMBLY INSTRUCTIONS

1. Before installation, please read the Assembly Instruction carefully.
2. Please check whether the Parts and Hardware are consistent with the list.
3. It is normal for the sealed environment to smell, not a product quality problem.

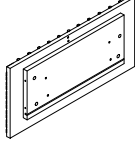
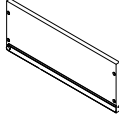
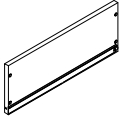
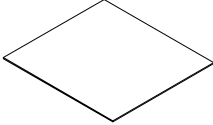
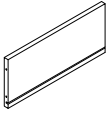


ASSEMBLY INSTRUCTIONS

Part List:

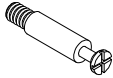





ITEM	DESCRIPTION	PART	QTY
1	Top panel		1
2	Bottom panel		1
3	Left side panel		1
4	Right side panel		1
5	Back panel		1
6	Leg		4

Part List:







ITEM	DESCRIPTION	PART	QTY
7	drawer front		2
8	drawer right side		2
9	drawer left side		2
10	drawer bottom		2
11	drawer back		2

ASSEMBLY INSTRUCTIONS

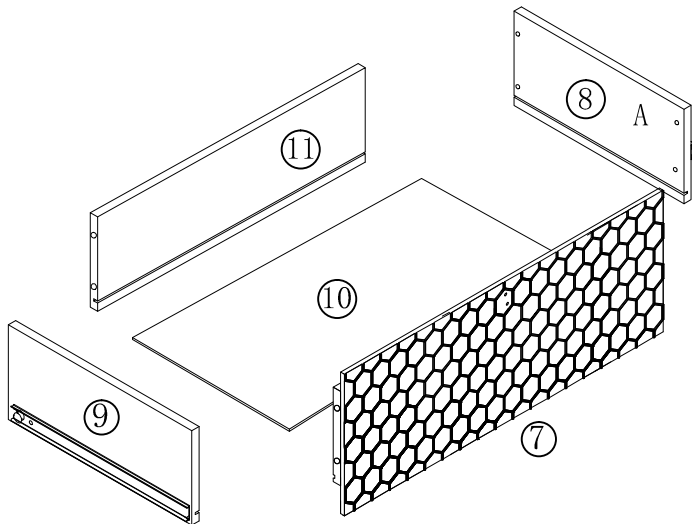
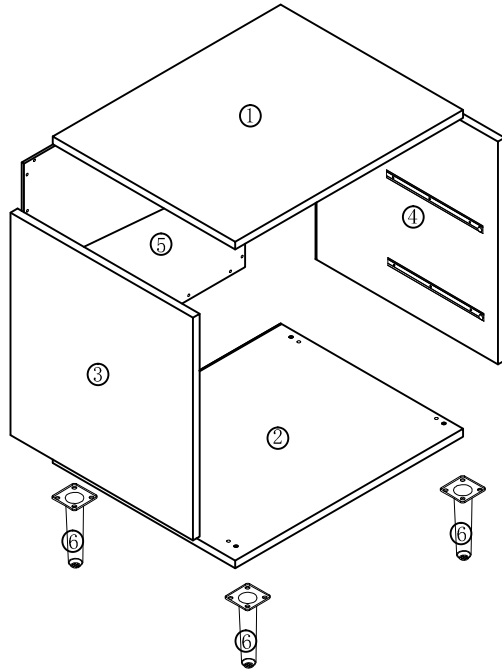
Hardware List:

ITEM	DESCRIPTION	PART	QTY
A	Camlock bolt		24
B	Camlock		24
C	Wooden dowel	 $\Phi 8 * 30 \text{mm}$	8
D	Bolt	 $\Phi 1/4" * 1/2"$	16
E	Allen wrench		1
F	Handle		2

Hardware List:



ITEM	DESCRIPTION	PART	QTY
G	Machine screw	 $\Phi 5/32" * 1 \ 1/8"$	4
H	Back screw	 $\Phi 3 * 12 \text{mm}$	12
I	Safety wall strap		1
J	Plastic anchor		1
K	Mounting screw	 $\Phi 4 * 38 \text{mm}$	1
L	Washer		1

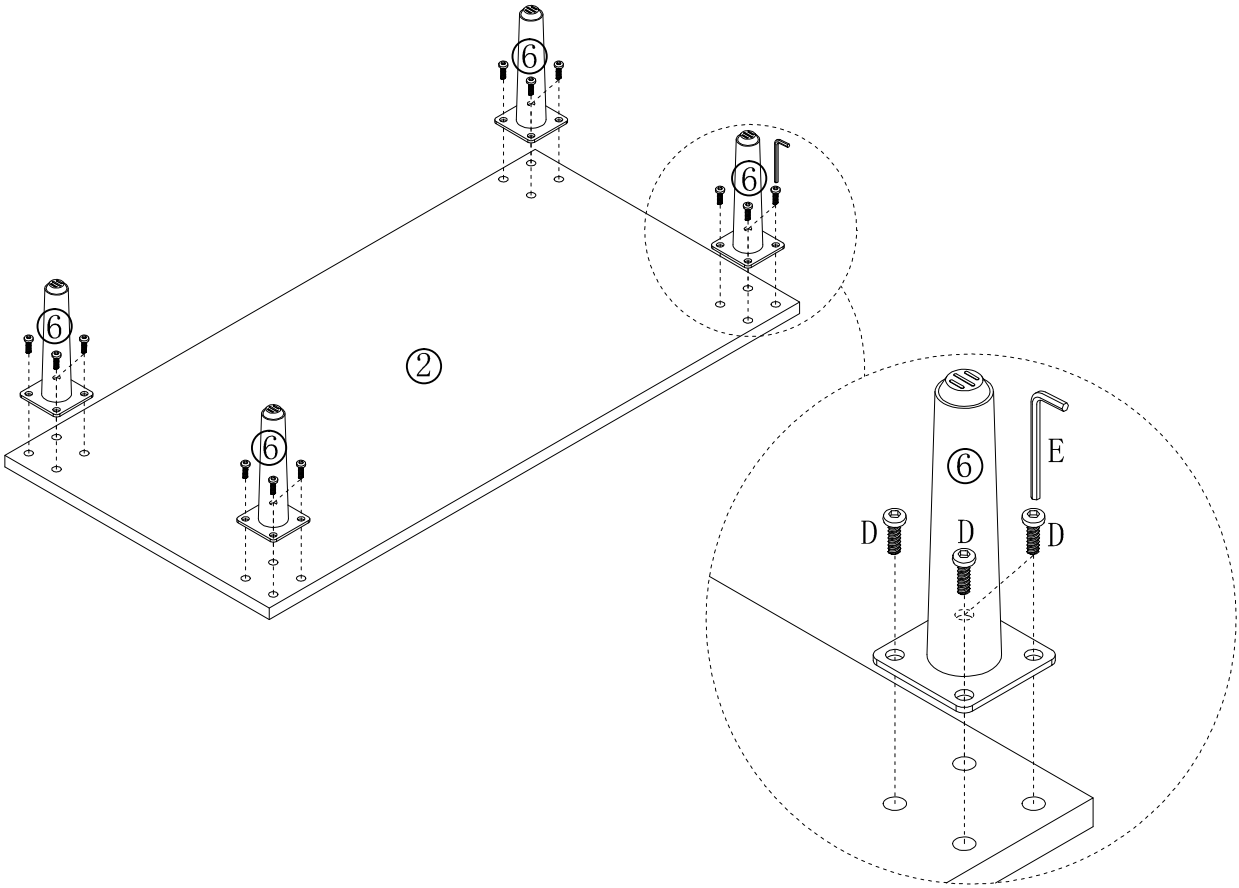
ASSEMBLY INSTRUCTION



ASSEMBLY INSTRUCTION

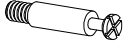


STEP 1

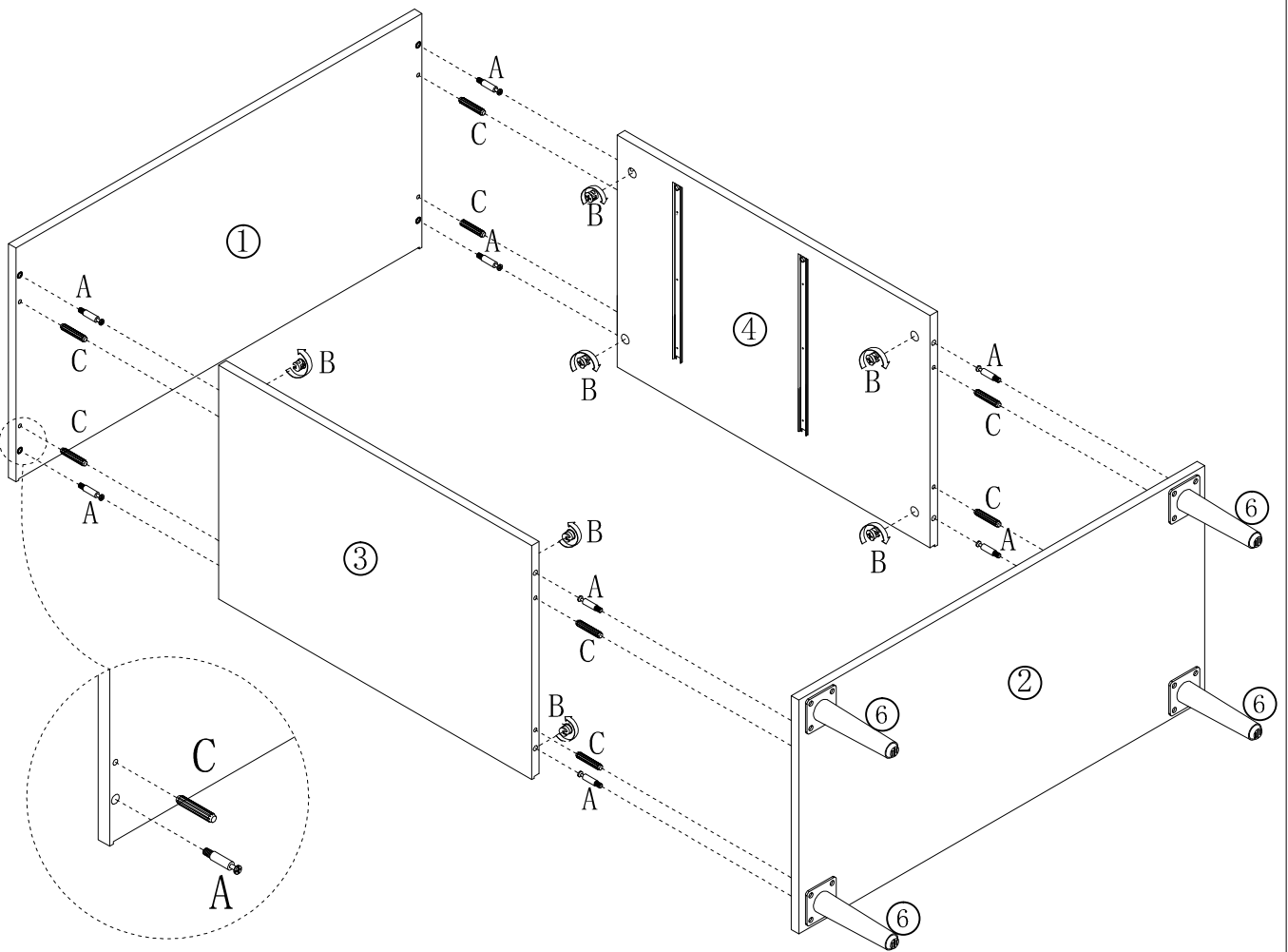
- D:  16PCS
- E:  1PC



ASSEMBLY INSTRUCTION



STEP 2

A:		8PCS
B:		8PCS
C:		8PCS

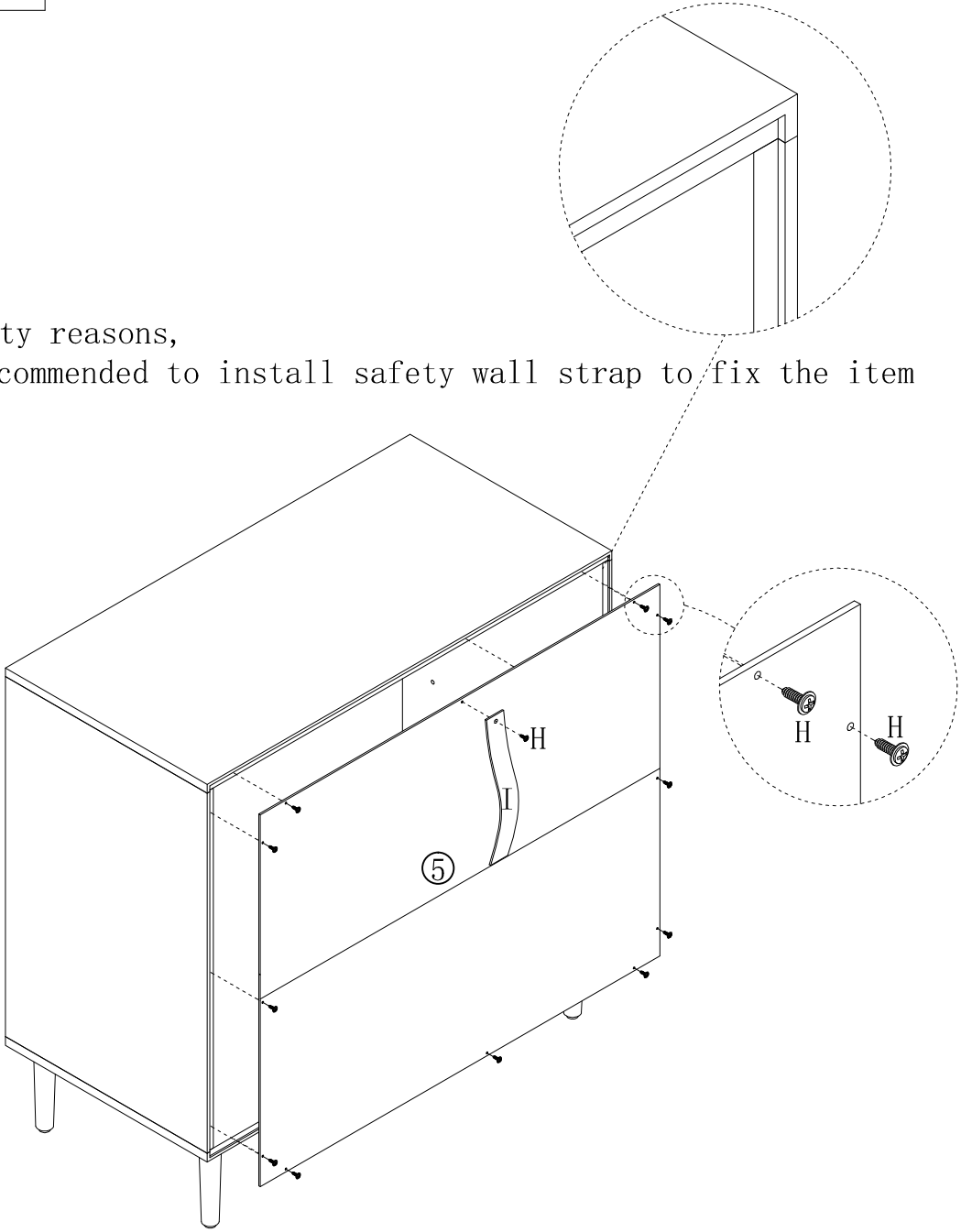


ASSEMBLY INSTRUCTION

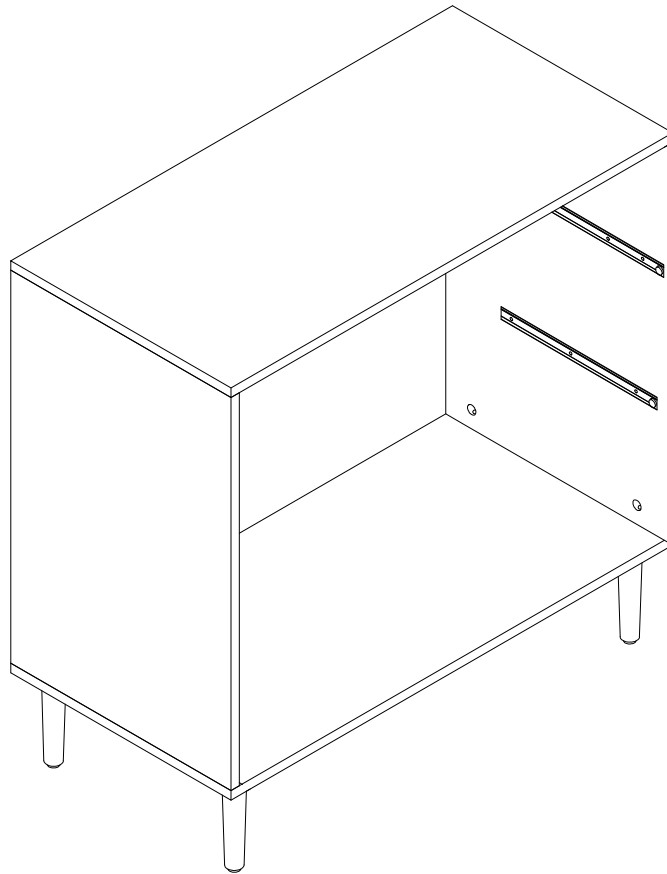
STEP 3

H:		12PCS
I:		1PC

For safety reasons,
it is recommended to install safety wall strap to fix the item

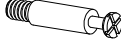





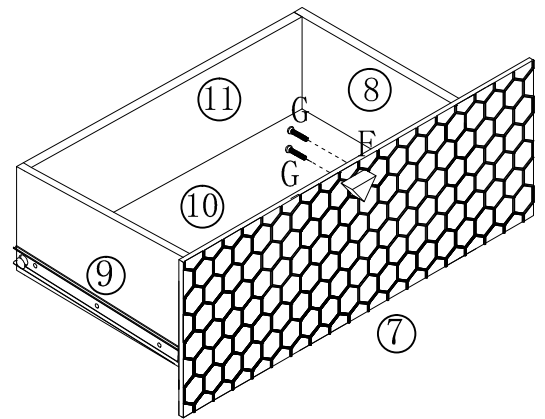
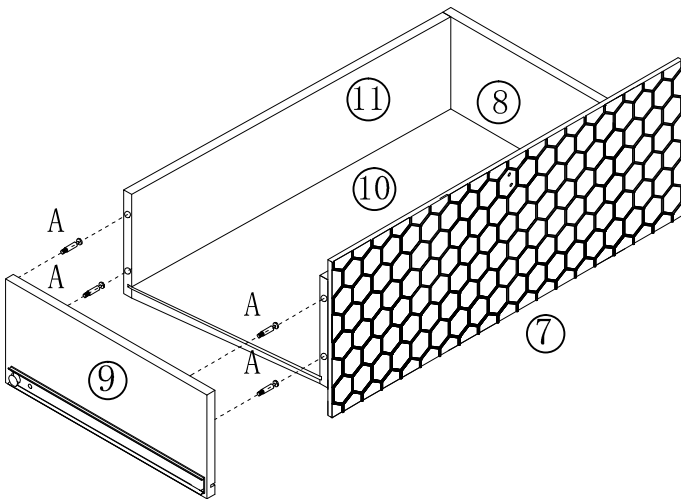
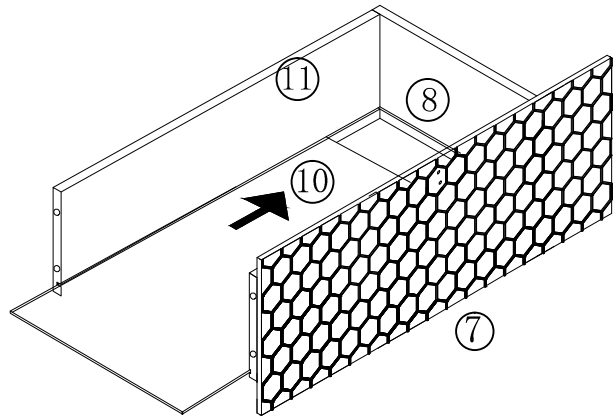
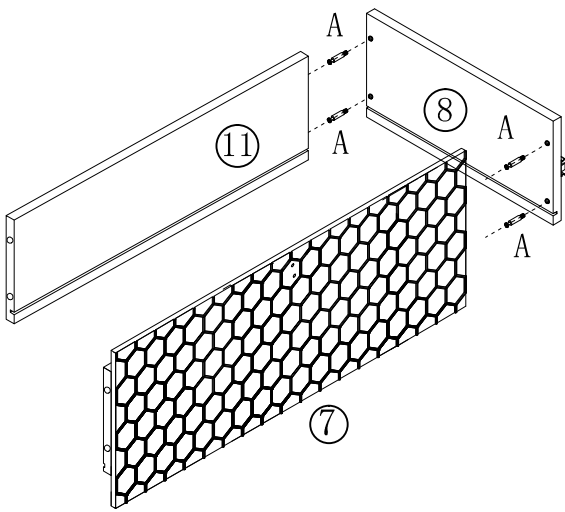
ASSEMBLY INSTRUCTION



ASSEMBLY INSTRUCTIONS

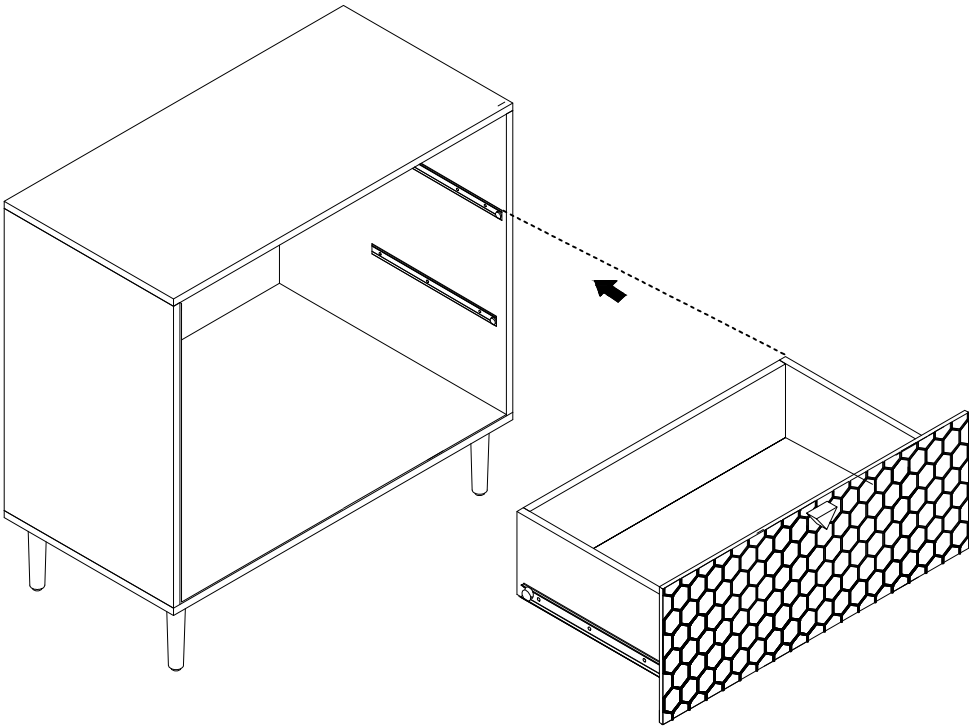
STEP 4

A:		16PCS
B:		16PCS
G:		4PCS
F:		2PCS

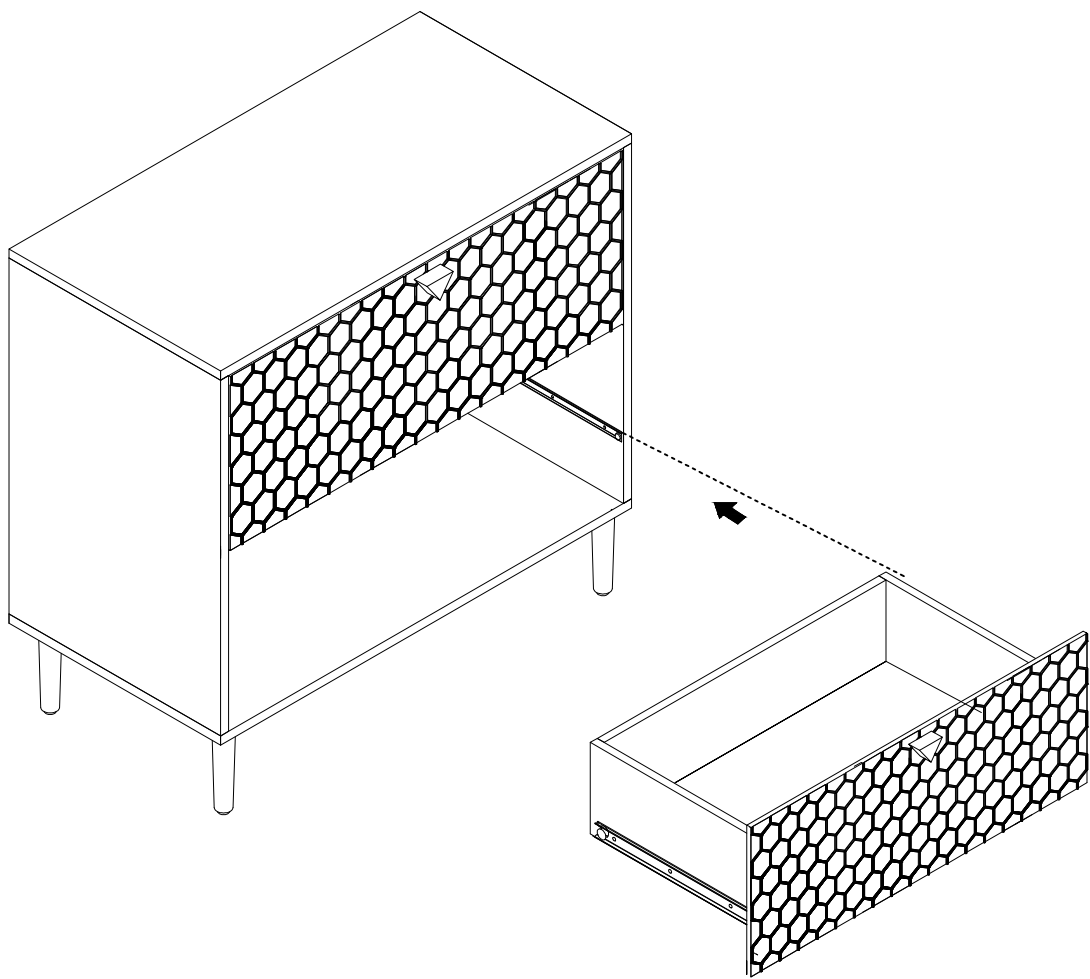


ASSEMBLY INSTRUCTION

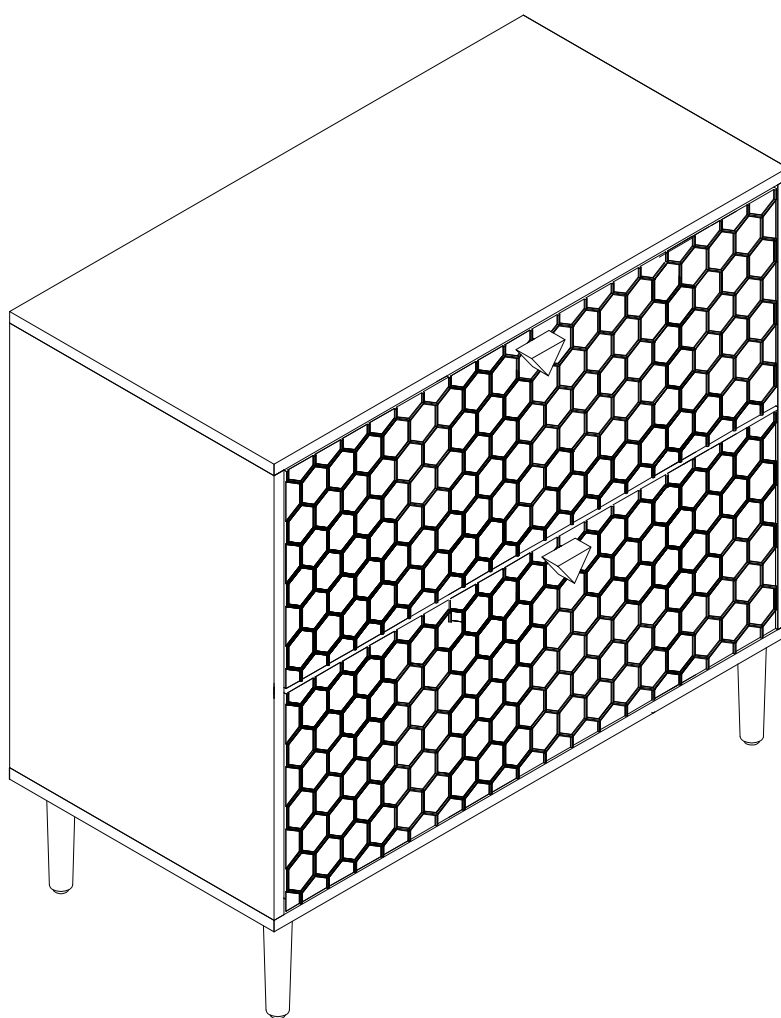
STEP 5



STEP 6






STEP 7



ASSEMBLY INSTRUCTION

STEP 8

J:		1PC
K:		1PC
L:		1PC

For safety reasons,
it is recommended to install
safety wall strap to fix the item

