

WOODBIDGE®

BID21 NON-ELECTRONIC BIDET SEAT

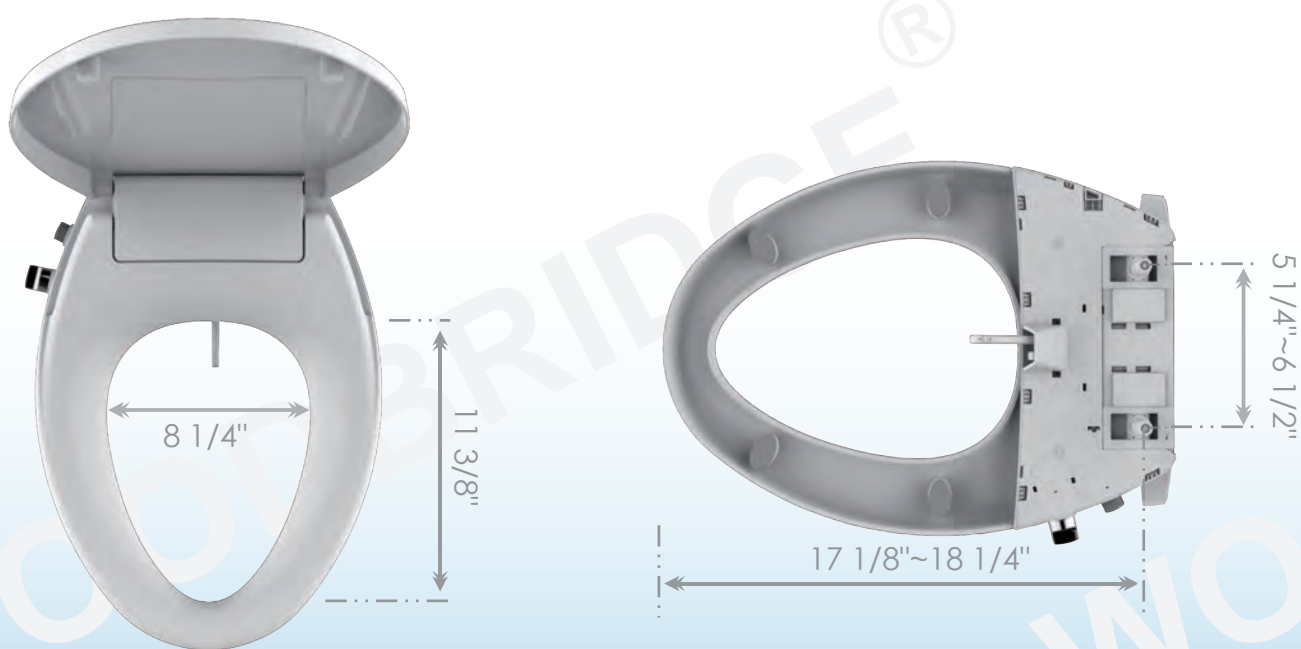
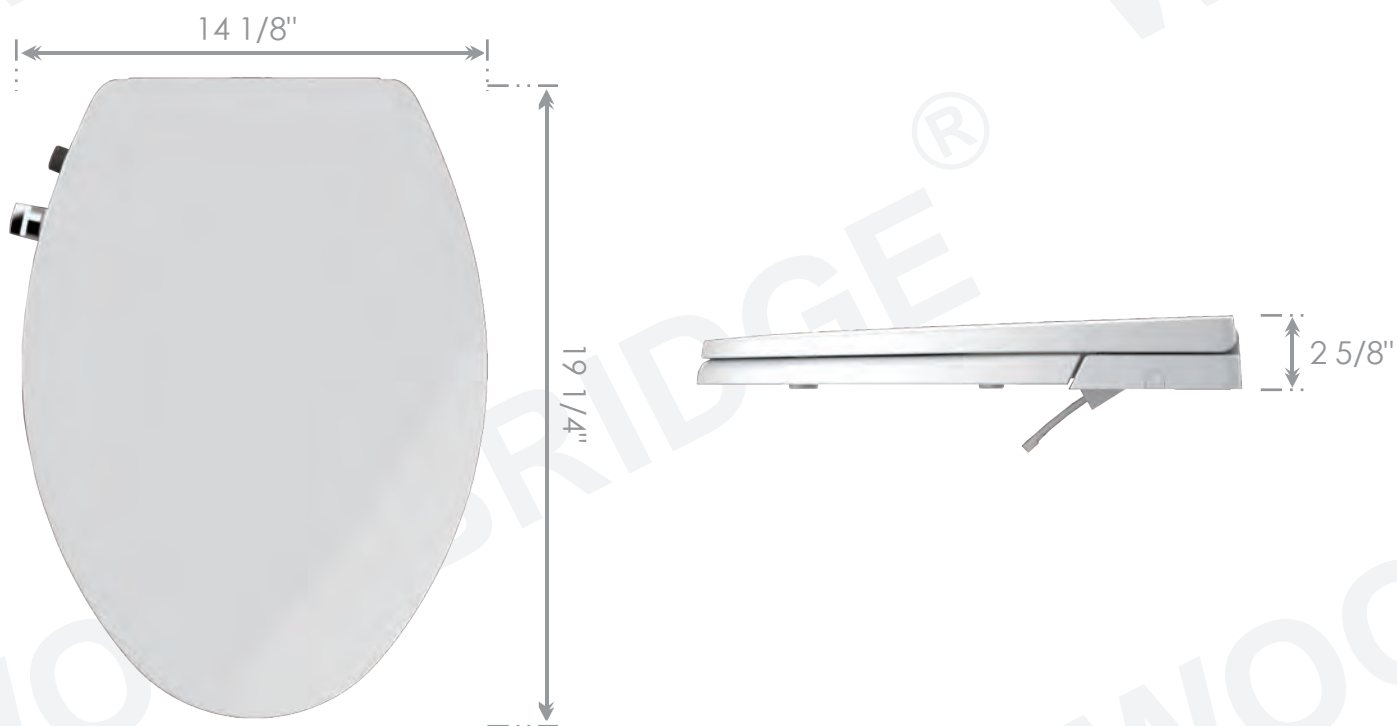


Customer Service Phone: 562-229-0088. (Monday - Friday 9 AM - 5 PM Pacific Time)
Or Email: help@woodbridgebath.com



2020411 REV. 1

- Dimension



Advantages

1. Wide water pressure range, suitable for most of regions.

Water pressure: 0.05MPa (dynamic)~0.8MPa (static)



0.05~0.8Mpa

Advantages

2. Slim design



Advantages

3. Soft close, noise-free



Seat and lid are installed with soft close dampers, noise-free when opening and closing.

Advantages

4. Rotate the knob to switch rear or feminine cleaning



Rear cleaning
(clockwise rotating)

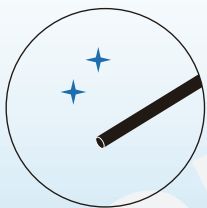


Feminine cleaning
(counterclockwise rotating)

Rotate the rotation angle of knob to adjust water volume

Advantages

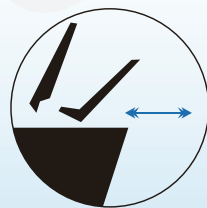
5. Nozzle self-cleaning, anti-bacterial and is removable for cleaning



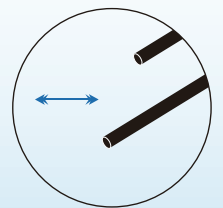
Self-cleaning
nozzle



Anti-bacterial
nozzle



Quick release

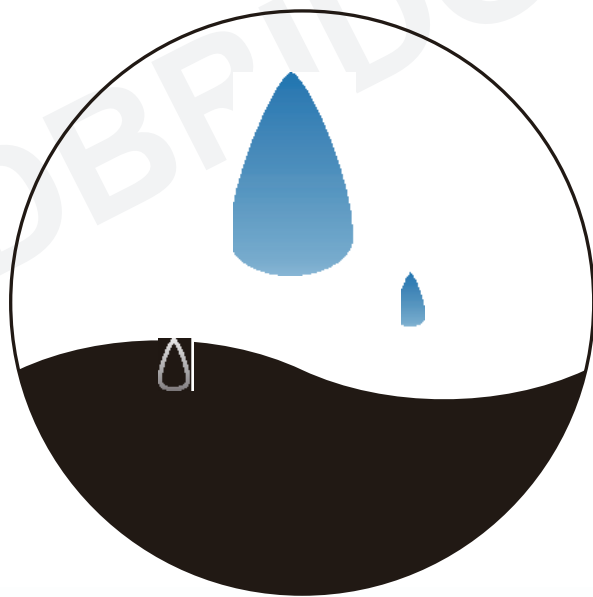


Removable
spray nozzle

Advantages

6. Spray nozzle with Inbreathe design, water-saving

Water-saving, softer and more comfortable cleansing

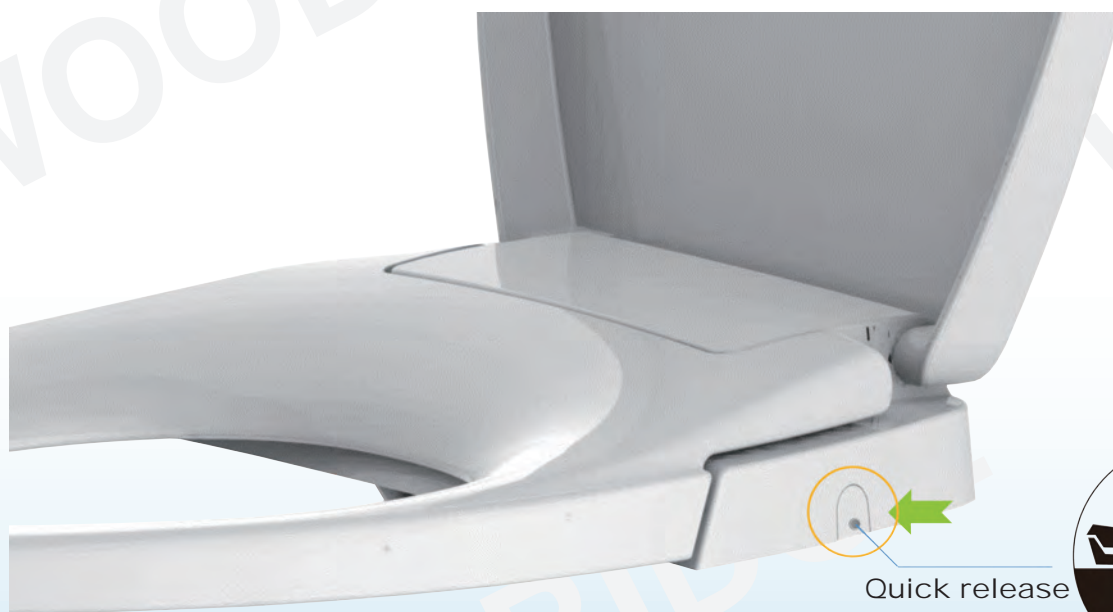


Advantages

7. Spray nozzle with several holes design, softer cleansing



spray nozzle with several holes design, softer cleansing



Quick release

8. Quick-release system, easy installation.