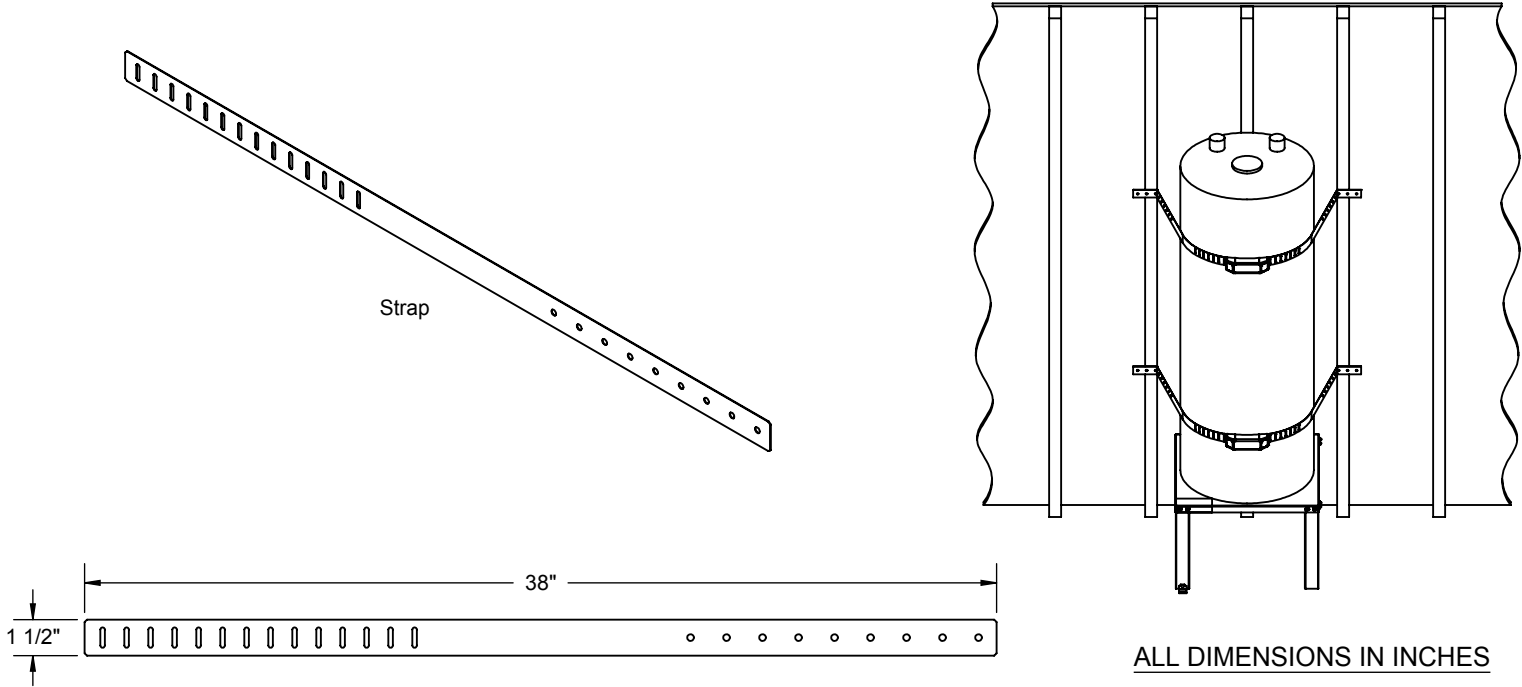


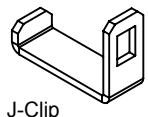
PRODUCT SPECIFICATION DRAWING

QUICK STRAP® #QS-50-D

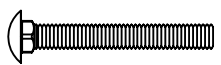
Seismic support for water heaters



ALL DIMENSIONS IN INCHES



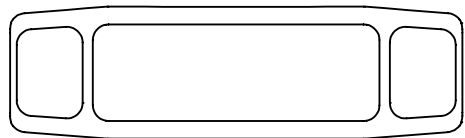
J-Clip



Carriage Bolt, #3/8-16 x 3.0" long



3/8" Hex Nut



Cap

The QUICK STRAP® #QS-50-D is a seismic/earthquake support system for water heaters up to 80 U.S. gallons in size. The system includes: (4) Straps, (2) J-Clips, (2) 3/8" Carriage Bolts, (2) Caps and (2) 3/8" Hex Nuts. The Quick Link® system allows for full adjustment from the front side of the water heater.

Product Information:

- Material: Strap, 24 gage CRS, galvanized
- Finish: Powder coat, polyester, white texture
- California Division State Architect (DSA) approval #97-010
- UPC / IPC / IAPMO listed



THIS INFORMATION IS PROPRIETARY TO HOLDRITE AND IS SUBJECT TO CHANGE WITHOUT NOTICE. IT MAY NOT BE REPRODUCED IN PART OR WHOLE WITHOUT WRITTEN AUTHORIZATION.



CONVERTING MAKESHIFT METHODS INTO ENGINEERED SOLUTIONSSM
 800-321-0316 OR 760-744-6944 / FAX: 760-744-0507 / WWW.HOLDRITE.COM
 spec_QS-50-D_Rev1

Product Submittal	
Job Name:	
Date:	
Part Number:	Qty:
Architect / Owner:	
Contractor:	
Notes:	