

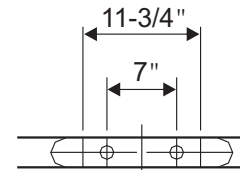
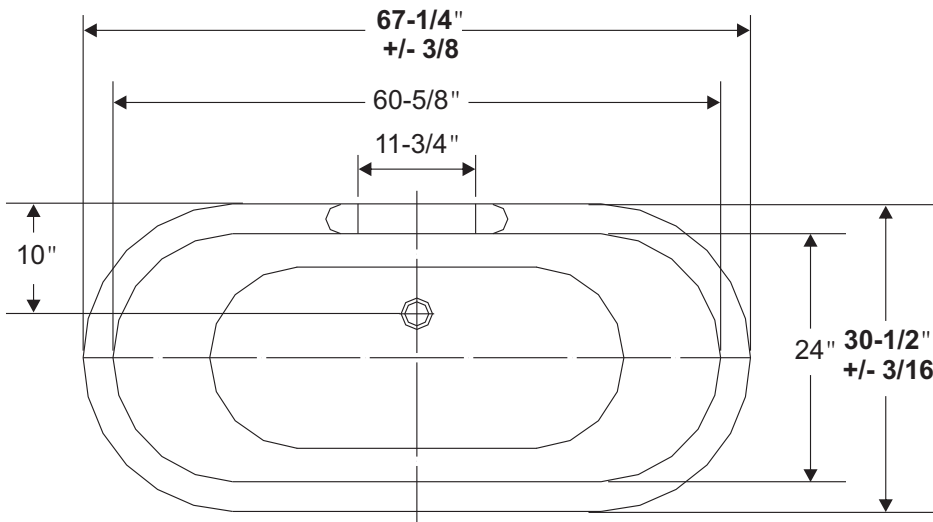


*Elizabethan
Classics*

Specification for ECDUA1RM

Hole	Diameter
Drain	2" +/- 1/8
Over Flow	2-1/4" +/- 3/16
Faucet	1-3/8" +/- 1/8
Capacity	55.480 US Gallon
Weight of Tub	313.05 lbs
Weight of Tub filled with water	775.05 lbs
Bathing well	49-5/8" X 18-1/2"
Foot print Front to back	42-1/2" +/- 3/8
Foot print Side to side	15-3/4" +/- 3/8

Top View



Drain

FLGD Feet Placement Diagram

End View

