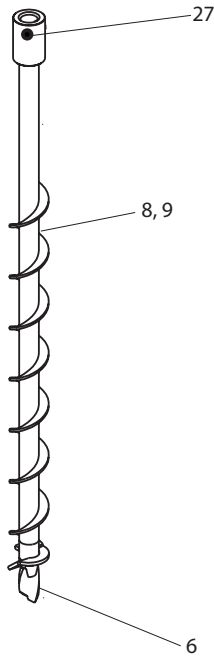
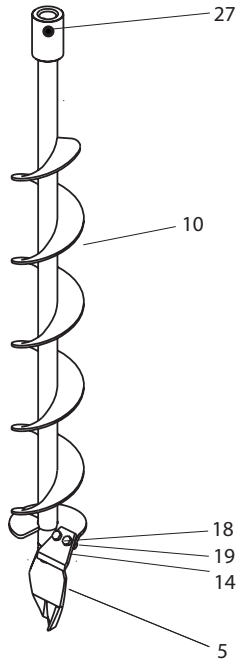


AUGER PARTS EXPLOSIONS

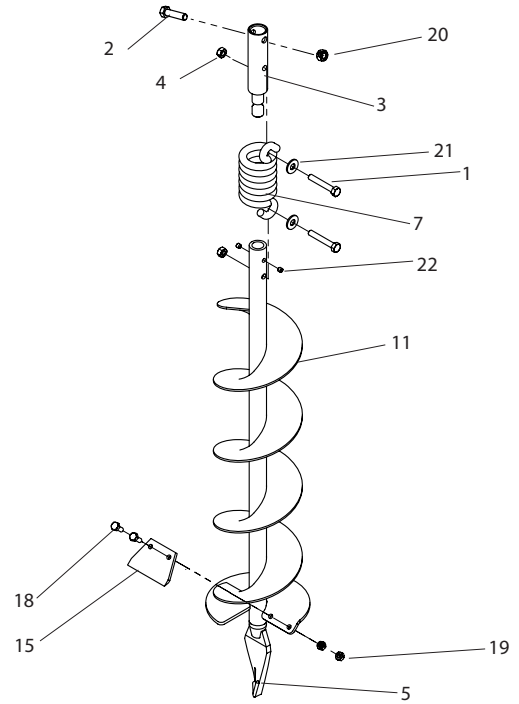
EA2F, EA3F



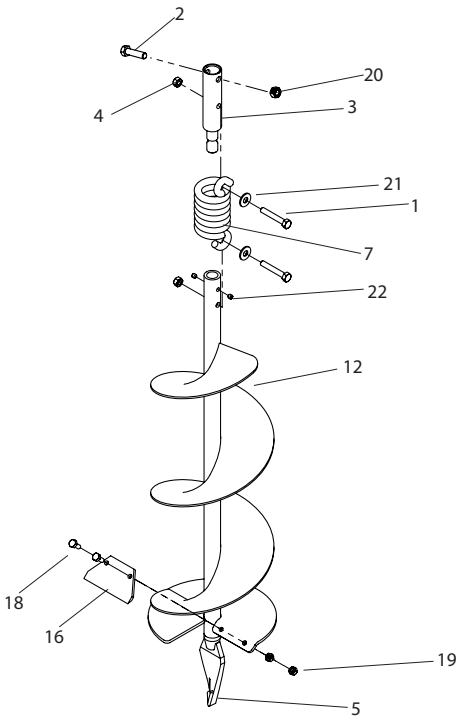
EA4F



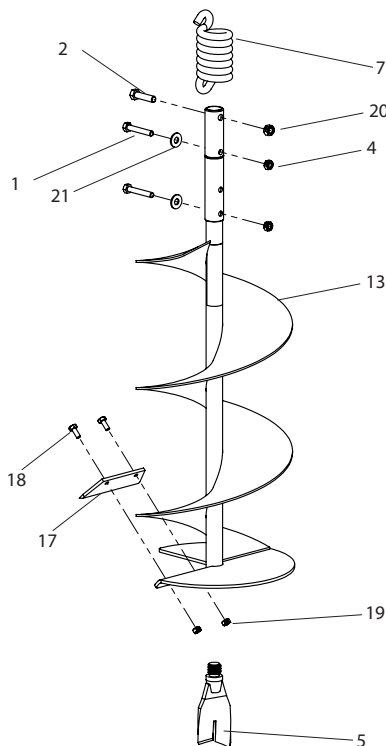
EA6F



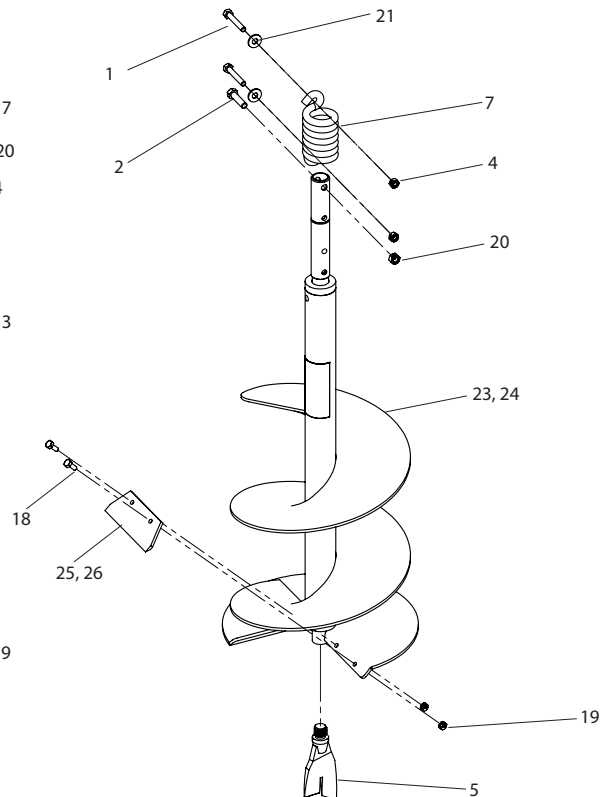
EA8F



EA10F



EA12F, EA14F





AUGER PARTS LIST

| KEY NO. | PART NO. | DESCRIPTION | QTY. |
|------------------------|----------|--|------|
| 1 | 1423 | BOLT-HHCS, 5/16-18 X 2", GRADE 5 (auger shock spring) | 2 |
| 2 | 1433 | BOLT-HHCS, 3/8-16 X 1-1/2" (auger to powerhead) | 2 |
| 3 | 53684 | SHOCKTOP 1-PC (used on 6" and 8" earth augers) | 1 |
| 4 | 60G56 | NUT-HEX 2-WAY REVERSIBLE LOCKNUT, 5/16-18 | 2 |
| 5 | 8958HD | FISHTAIL POINT (used on 4" or larger earth auger) | 1 |
| 6 | 8970 | EARTH POINT (used on 2" & 3" earth auger) | 1 |
| 7 | 8980 | SHOCK SPRING (Used on 4" and larger earth augers) | 1 |
| 8 | EA2F | EARTH AUGER, 2" W/FISHTAIL POINT | 1 |
| 9 | EA3F | EARTH AUGER, 3" W/FISHTAIL POINT | 1 |
| 10 | EA4F | EARTH AUGER, 4" W/FISHTAIL POINT | 1 |
| 11 | EA6F | EARTH AUGER, 6" W/FISHTAIL POINT | 1 |
| 12 | EA8F | EARTH AUGER, 8" W/FISHTAIL POINT | 1 |
| 13 | EA10F | EARTH AUGER, 10" W/FISHTAIL POINT | 1 |
| 14 | EB4 | EARTH BLADE, 4" (includes EBOLT & ENUT) | 1 |
| 15 | EB6 | EARTH BLADE, 6" (includes EBOLT & ENUT) | 1 |
| 16 | EB8 | EARTH BLADE, 8" (includes EBOLT & ENUT) | 1 |
| 17 | EB10 | EARTH BLADE, 10" (includes EBOLT & ENUT) | 1 |
| 18 | EBOLT | BOLT-HEX, 1/4-28 X 5/8", GRADE 5 (earth blade to auger) | 2 |
| 19 | ENUT | NUT-NYLOC, 1/4-28 | 2 |
| 20 | 2104 | NUT HEX LOCKING, 3/8-16 | 2 |
| 21 | WF516 | WASHER-FLAT, 5/16" | 2 |
| 22 | 715 | SET SCREW 1/4-20 X 1/4 SCPC BLK OXIDED | 2 |
| 23 | EA12F | EARTH AUGER, 12" W/FISHTAIL POINT | 1 |
| 24 | EA14F | EARTH AUGER, 14" W/FISHTAIL POINT | 1 |
| 25 | EB12 | EARTH BLADE, 12" (includes EBOLT & ENUT) | 1 |
| 26 | EB14 | EARTH BLADE, 14" (includes EBOLT & ENUT) | 1 |
| 27 | 8955 | BOLT 3/8-16 X 1-1/4 SHCS | 1 |
| ITEMS NOT SHOWN | | | |
| -- | EXT12 | DEPTH EXTENSION, 12" | 1 |
| -- | EXT18 | DEPTH EXTENSION, 18" | 1 |
| -- | EB6HD | HEAVY DUTY EARTH BLADE, 6" (includes EBOLT & ENUT) | 1 |
| -- | EB8HD | HEAVY DUTY EARTH BLADE, 8" (includes EBOLT & ENUT) | 1 |
| -- | EB10HD | HEAVY DUTY EARTH BLADE, 10" (includes EBOLT & ENUT) | 1 |
| -- | 9811 | SWITCH, ON/OFF (Not Shown) | 1 |