

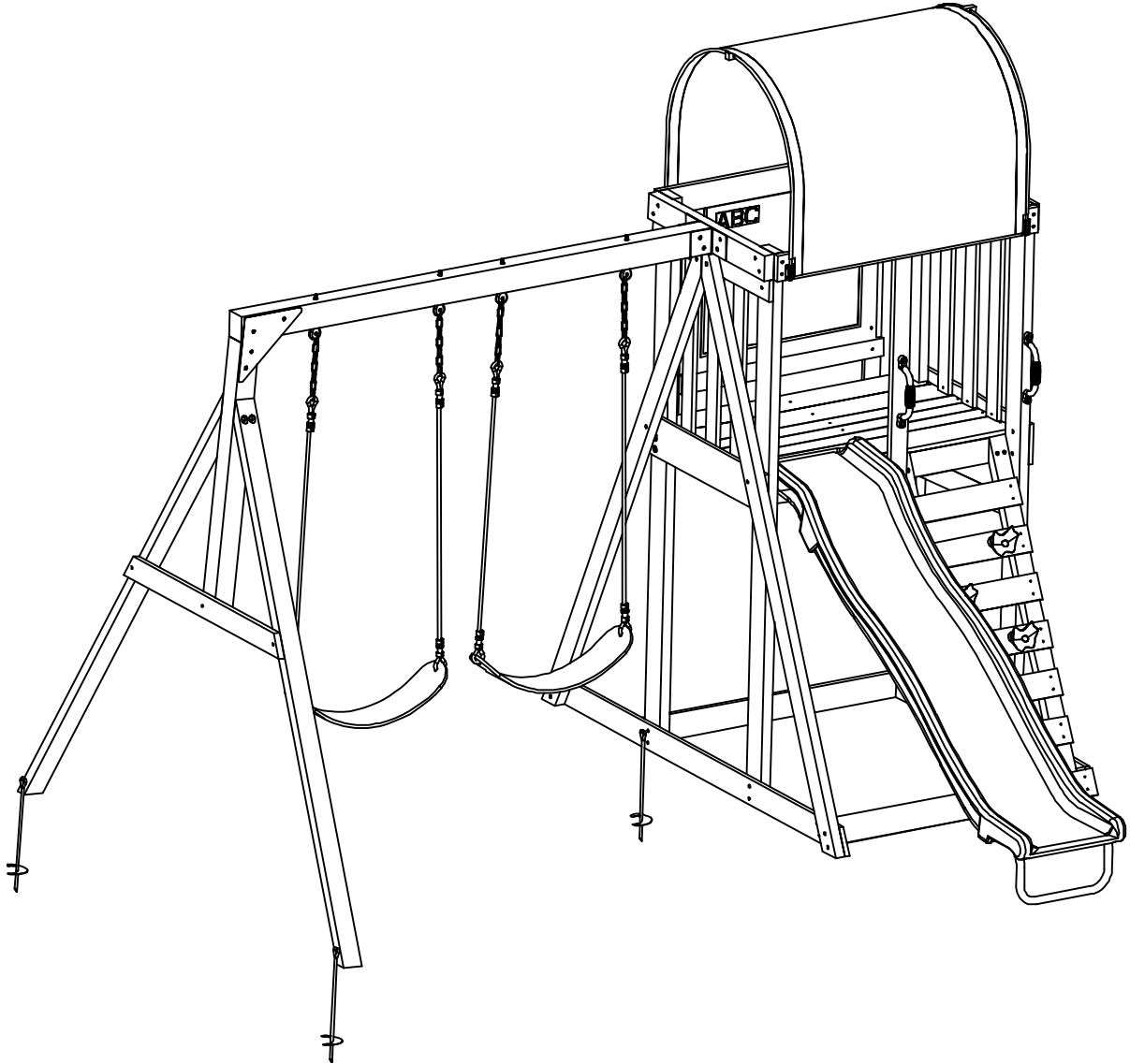
SPORTSPOWER™

Addison Wooden Swing Set

Style # (WP-866)

OWNER'S MANUAL

ASSEMBLY, INSTALLATION, CARE, MAINTENANCE AND USER INSTRUCTIONS



⚠ WARNING ⚠

**CHOKING HAZARD - Small parts.
Not for children under 3 years.**

⚠ WARNING

**FOR RESIDENTIAL USE ONLY
ASSEMBLY REQUIRES AT LEAST FOUR ADULTS**

Please keep this instruction manual for future reference.

DO NOT RETURN TO THE STORE

For Customer Service, please call 1-866-370-2131 Mon – Fri 9am – 5pm Eastern Time
or visit www.sportspowerltd.net or email us at customerservice@sportspowerltd.net

Sportspower Limited

Level 20, Parkview Centre, 7 Lau Li Street, Causeway Bay, Hong Kong

Dear Valued Customer,

Congratulations on your Addison Wooden Swing Set purchase! Please read and completely understand the contents of this owner's manual. This manual contains specific instructions that must be followed to prevent injuries.

This equipment is for residential use only. This swing set is NOT intended for public or commercial use. The warranty will be voided if the swing set is used in a commercial application.

The product was designed to be used by children between the ages of 3-10. Children must NOT play on this set until it is properly assembled and inspected by an adult. Adult supervision is required at all times while children are playing on the equipment. Do not allow children under six (6) years old to be near during the assembly of this product due to choking hazards of small parts.

The equipment must be installed on level ground. Uneven ground must be leveled prior to installation. Installation on sloping or uneven ground will put stress on the joints, causing the unit to become loose and unstable which may result in serious injuries. You must ensure there are no obstructions or structures (e.g. electrical wires, branches, house, fence, garage, etc) within six (6) feet in any direction from the equipment.

The U.S. Consumer Product Safety Commission's Outdoor Home Playground Safety Handbook recommends to install and maintain the playground equipment over at least 9 inches of wood chips, mulch or shredded rubber (for equipment up to 8 feet high) or sand or pea gravel (for equipment no more than 5 feet high) as shock absorbing material. Dirt and grass, which are the most prevalent surfaces under home playground equipment, do not adequately protect children from serious head injuries. Install protective surfacing at least six feet in all directions from play equipment. For swings, the surface should extend, in back and front, twice the height of the suspending bar. Do not install your swing set over hard surface, e.g. asphalt, concrete, packed earth, tile or brick floor. Do not allow children to use the product during windy or wet weather conditions. You should consult a local licensed contractor about ways to anchor the product in your location.

Please thoroughly read and follow the instructions in this Owner's Manual to ensure proper and enjoyable play for your children. The equipment must be checked before each use and maintained regularly. This includes, but is not limited to inspecting the swing set for cracks, excess wear, missing parts, loose connections, and for overall integrity. When the set shows any signs of weakness or damage, you must stop using the swing set immediately, properly store the set or restrict access by users until the condition is resolved.

Your product is warranted against defects in material and workmanship. Extended warranty is also offered to those customers registering their products at www.sportspowerltd.net within 14 days from the date of purchase. Please refer to our warranty policy at the back of this manual for details.

If you experience any problems with your product, do not return to the store. For customer service, please call 1-866-370-2131 Monday-Friday 9:00am-5:00pm Eastern Time or visit www.sportspowerltd.net

TABLE OF CONTENTS

IMPORTANT WARNINGS AND INSTRUCTIONS 3

IMPORTANT CONSUMER INFORMATION SHEET 8

COMPLETE PRODUCT VIEW 13

TOOLS NEEDED 14

WOOD PARTS LIST..... 15

HARDWARE PARTS LIST 18

COMPONENT PARTS LIST 19

HARDWARE PRE-ASSEMBLE 20

ASSEMBLY AND INSTALLATION INSTRUCTIONS 21

PRODUCT WARRANTY 38

IMPORTANT WARNINGS AND INSTRUCTIONS

BEFORE YOU BEGIN: Carefully read all instructions in this manual before assembling and using this product. The unit must be assembled by adults. Heavy duty working gloves must be worn to avoid injuries during assembly.



WARNING

READ ALL INSTRUCTIONS BEFORE ASSEMBLING OR USING THIS EQUIPMENT

AGE LIMIT

- This product is designed to be used by up to five (5) children between the ages of 3 to 10. Maximum individual user weight is 100 pounds (45kg) each with a combined maximum weight of 500 pounds (225kg.)
- The play set is designed for children over three (3) years of age. Use by smaller children can result in entrapment and serious injury.
- On-site adult supervision is required at all times for children of all ages.
- Do not allow use by children with any physical condition that may affect his/her ability to use this equipment safely.

IMPORTANT:

- Children must NOT play on this set until it is properly assembled and inspected by an adult.
- The Wood Play Set must be properly installed and anchored BEFORE children can play on the Wooden Swing Set.
- You MUST read and follow all instructions in this manual before installing or attempting to use the Wooden Swing Set.
- Please keep this instruction manual for future reference.
- Never add extra length to chain or rope. The chains or ropes provided are the maximum length designed for the swinging element.
- For child safety this product is painted with a water based stain. We recommend that you seal the wood every 6-8 months, with water sealer or oil based paint to protect the wood from moisture or extreme dryness.

Failure to follow these important requirements may result in the warranty being voided and/or serious injury. Please supervise your children carefully during the installation and assembly of the Wood Play set.

Please also pay close attention to the periodic maintenance that is required to keep you Wood Play Set in a safe condition for maximum enjoyment of backyard fun!

Manufacturer is not responsible for providing any stain or products to maintain the product.

IMPORTANT WARNINGS AND INSTRUCTIONS

WARNING

BEFORE YOU BEGIN ASSEMBLY:

- Take a complete inventory of components using the parts list.
- Sort and lay out the wood pieces. Label each piece of wood for easy reference. For easy identification during the assembly process, write the board's letter on masking tape and adhere to each piece of the wood. Some wooden components may twist or warp in the carton after packaging. Usually, these parts straighten out when assembled. You may also see some cracking of the grain. This is normal.
- Sort all hardware according to size. Do not worry if extra hardware is included.

Find a safe play location.

- You **MUST** install the Wooden Swing Set on level ground. Uneven ground must be leveled prior to installation. The manufacturer cannot assume responsibility for any failure from incorrect installation. Installing on sloping ground will put stress on all the joints, which will cause the set to become loose and unstable.
- Find a location where the equipment can be placed more than 6 feet from any structure or obstruction (ex: electrical wires, branches, house, fence, garage). The safe play area refers to a zone extending 6' beyond the gym set on all sides, including the space above the gym set.
- The safe play area must be free of all structures, landscaping, trees and branches, rocks, wires and other obstacles. Children can be seriously injured running or swinging into these obstacles.
- Remove any rocks or any jagged or sharp object that could endanger your children's' safety.
- Remove all tripping hazards from the safe play area. Tripping hazards include but are not limited to: roots, stumps, rocks, landscaping, sprinkler heads, railroad ties, plumbing, and electrical connections.
- Do **NOT** install your swing set over gravel, asphalt, packed earth or any other hard surface. The following is a list of recommended ground covers from the Consumer Product Safety Commission.

SUGGESTED MATERIAL	UNCOMPRESSED DEPTH
Double Shredded Bark Mulch	9"
Uniform Wood Chips	12"
Fine Gravel	12"
Fine Sand	12"

IMPORTANT WARNINGS AND INSTRUCTIONS

BEFORE YOU BEGIN: Carefully read all instructions in this manual before assembling and using this product. The unit must be assembled by adults. Heavy duty working gloves must be worn to avoid injuries during assembly.



WARNING

READ ALL INSTRUCTIONS BEFORE ASSEMBLING OR USING THIS EQUIPMENT

Observing the following statements and warnings reduces the likelihood of serious or fatal injury.

PLAY SUPERVISION

- DO NOT allow more than one child to play on the individual swing or slide at the same time.
- DO NOT allow children to stand on the swing seat.
- DO NOT allow children to walk too close to moving parts. ALWAYS keep a safe distance to avoid being struck by other children while playing.
- DO NOT allow children to twist the swing chains or ropes, or loop them over the top support bar as this may reduce the strength of the chain or rope.
- Owners shall be responsible for maintaining the legibility of the warning labels.
- Instruct children not to use the equipment in a manner other than intended.
- DO NOT swing empty seats as this may cause injuries.
- ALWAYS guide children to sit in the center of swinging parts, with their full weight placed in the seat center and holding on to the swing chains.
- DO NOT allow children to jump off the equipment while it is in motion. ALWAYS come to a full stop before dismounting.
- ALWAYS dress children appropriately for playing, e.g. wear well-fitted rubber sole shoes, and remove loose or sharp items such as jewelry, hair accessories, scarves, ponchos that may become entangled in the equipment or cause injuries.
- ALWAYS make sure children remove their bike or other sports helmets before playing on the playground. Helmets can become entrapped in the playground, posing a strangulation hazard.
- DO NOT allow children to climb onto swing or jump to and from different play areas of the equipment. ALWAYS return safely to the ground before approaching another play area.
- DO NOT allow children to climb on structural parts (e.g. legs, top bar). These are structural components and are not designed for play.
- ALWAYS check the slide or other parts exposed to the body for extreme heat from the sun before allowing children to use the equipment.
- ALWAYS prevent access and secure from any unauthorized use when there is no adult supervision.
- DO NOT allow pets or other animals near the equipment to prevent damage or injuries.

IMPORTANT WARNINGS AND INSTRUCTIONS

INSPECTION PRIOR TO EACH USE OR DAILY INSPECTION

- DO NOT use the equipment if any bolts or nuts are missing or loose. ALWAYS check to ensure the equipment and all parts are well secured and stable before each use.
- ALWAYS clear the play area of any rocks, sharp objects, or any materials that could be potentially hazardous to users.
- DO NOT attach items to the equipment that are not specifically designed for use with the equipment, including, but not limited to, jump ropes, clothesline, pet leashes, cables and chains as they may cause choke hazards.
- The wood, steel and plastic parts used in your product are subject to normal wear. Gradual deterioration of the material will occur, the speed of which will depend on the level of exposure to UV rays, airborne pollution, outdoor weather conditions such as rain and wind and the amount of use. You must inspect the equipment prior to every use. This includes, but is not limited to inspecting the set for cracks, excess wear, missing parts, loose connections, and for overall integrity. When the set shows any signs of weakness, you must stop using the play set immediately, properly store the set or restrict access by users until the condition is resolved.
- Verify that the suspended climbing ropes, chain or cable are secured at both ends and tightened, so that there is no loose ropes, chain or cable hanging that can result in choking hazard.

WEATHER CONDITIONS

- DO NOT use this equipment if the swing seat, slide or other parts are wet. Use the swing set only when the parts are clean and dry. If the equipment is wet, the user could slip and suffer injuries.
- Please be aware of weather conditions when using the equipment. If it is too windy, users could lose control and suffer injuries. The playground equipment must be properly anchored, stored away or restricted from use during inclement weather such as heavy winds or severe weather storms. You should consult a local contractor about ways to anchor the product in your location.

DISPOSAL INSTRUCTIONS

- Please use care when disassembling the equipment. Wear heavy duty working gloves to avoid injuries.
- Fully disassemble the entire swing and climber before disposal. Do not leave partially disassembled equipment parts in areas accessible by children.
- All plastic and steel parts could be recycled. Take it to your local recycling center. Do not let children play with any disassembled parts destined for disposal, such as chains, slide, tubing, bolts, nuts, screws, etc.

IMPORTANT WARNINGS AND INSTRUCTIONS

AT THE BEGINNING OF EACH PLAY SEASON:

- Tighten all hardware.
- Lubricate all metallic moving parts per manufacturer's instructions.
- Check all protective coverings on bolts, pipes, edges, and corners. Replace if they are loose, cracked, or missing.
- Check all moving parts including swing seats, ropes, cables, and chains for wear, rust, or other deterioration. Replace as needed.
- Check metal parts for rust. If found, sand and repaint using a nonlead-based paint meeting the requirements of 16 CFR 1303.
- Check all wood members for deterioration and splinters. Sand down splinters and replace deteriorating wood members.
- Reinstall any plastic parts, such as swing seats or any other items that were removed for the cold season.
- Rake and check depth of loose fill protective surfacing materials to prevent compaction and to maintain appropriate depth. Replace as necessary.

TWICE A MONTH DURING PLAY SEASON:

- Tighten all hardware.
- Check all protective coverings on bolts, pipes, edges, and corners. Replace if they are loose, cracked, or missing.
- Rake and check depth of loose fill protective surfacing materials to prevent compaction and to maintain appropriate depth. Replace as necessary.

ONCE A MONTH DURING PLAY SEASON:

- Lubricate all metallic moving parts per manufacturer's instructions.
- Check all moving parts including swing seats, ropes, cables, and chains for wear, rust, or other deterioration. Replace as needed.

At the end of each play season or when the temperature drops below 32°F (temperature to be selected by the manufacturer).

- Remove plastic swing seats and other items as specified by the manufacturer and take indoors or do not use.
- Rake and check depth of loose fill protective surfacing materials to prevent compaction and to maintain appropriate depth. Replace as necessary.
- Owners shall be responsible for maintaining the legibility of the warning labels.

When conducting inspections, it is recommended that you use the Outdoor Home Playground Safety Checklist published by the US Consumer Product Safety Commission, a copy of which is contained in this user manual.

IMPORTANT CONSUMER INFORMATION SHEET

The Consumer Product Safety Commission estimates there are about 200,000 playground related injuries involving children each year. Injuries involving this hazard pattern tend to be among the most serious of all playground injuries and have the potential to be fatal, particularly when the injury is to the head. The surface under and around playground equipment can be a major factor in determining the injury-causing potential of a fall. It is self evident that a fall onto a shock absorbing surface is less likely to cause a serious injury than a fall onto a hard surface. Playground equipment should never be placed on hard surfaces such as concrete or asphalt and while grass may appear to be acceptable it may quickly turn to hard packed earth in areas of high traffic. Shredded bark, mulch, wood chips, fine sand or fine gravel are considered to be acceptable shock absorbing surface when installed and maintained at a sufficient depth under and around playground equipment.

Table below lists the maximum height from which a child would not be expected to sustain a life-threatening head injury in a fall onto four different loose-fill surfacing materials if they are installed and maintained at depths of 6" (15.25CM), 9" (22.9CM), and 12" (30.5CM).

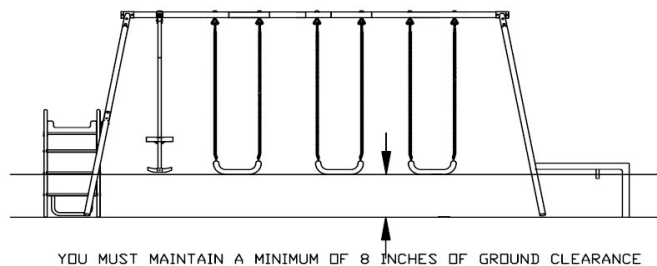
FALL HEIGHT IN FEET FROM WHICH A LIFE THREATENING HEAD INJURY WOULD NOT BE EXPECTED			
TYPE OF MATERIAL	6"(15.25CM) DEPTH	9"(22.9CM) DEPTH	12"(30.5CM) DEPTH
Double shredded bark mulch	6"(15.25CM)	10"(25.4CM)	11"(27.94CM)
Wood Chips	6"(15.25CM)	7"(17.8CM)	12"(30.5CM)
Fine Sand	5"(12.7CM)	5"(12.7CM)	9"(22.86CM)
Fine Gravel	6"(15.25CM)	7"(17.8CM)	10"(25.4CM)

However, it should be recognized that all injuries due to falls cannot be prevented no matter what surfacing material is used. We recommend that a shock absorbing material should extend a minimum of 6ft in all directions from the perimeter of stationary equipment such as climbers and slides. However, because children may deliberately jump from a moving swing, the shock absorbing material should extend in the front and rear of a swing a minimum distance of 2 times the height of the pivot point measured from a point directly beneath the pivot on the supporting structure.

This information is intended to assist in comparing the relative shock-absorbing properties of various materials. No particular material is recommended over another. However, each material is only effective when

Properly maintained. Materials should be checked periodically and replenished to maintain correct depth as determined necessary for your equipment. The choice of a material depends on the type and height of the playground equipment, the availability of the material in your area and its cost.

Note: The maximum fall height for this product is 6 feet. The minimum ground Clearance between the bottom of the suspended plays and the playing or ground service must be 8 inches.



This information has been extracted from the CPSC publication on "Playground Safety". You can obtain more information by sending a postcard to the: Office of public Affairs, U.S. Consumer Product Safety Commission, Washington, D.C.20207

IMPORTANT CONSUMER INFORMATION SHEET

The following guidelines are extracts from the Consumer Product Safety Commission Outdoor Home Playground Safety Handbook. It is recommended that you read the entire handbook and take necessary precautions to prevent serious injuries to your children, including:

CHOOSING A SITE

- When you choose a home playground, a location away from roads and driveways and readily visible from inside the home and patios or porches, is important.
- Create a site free of obstacles that could cause injuries such as low overhanging tree branches, overhead wires, tree stumps and/or roots, large rocks, bricks and concrete.
- Choose a level location for the equipment. This can reduce the likelihood of the play set tipping over and loose-fill surfacing materials washing away during heavy rains. Some sites may need regrading to improve drainage or to reduce the slope.
- Locate play set at least 6 feet from any structure or obstacles, such as a house, fence, sheds, trees or poles. Swings should be further away from structures to the front and rear of the swings-a distance equal to twice the height of the top bar from which the swing is suspended.
- Locate bare metal platforms and slides out of direct sunlight to reduce the likelihood of serious burns. A slide that faces north will receive the least direct sunlight.

SELECT PROTECTIVE SURFACING

One of the most important things you can do to reduce the likelihood of serious head injuries is to install shock-absorbing protective surfacing under and around your play set. The protective surfacing should be applied to a depth that is suitable for the equipment height in accordance with ASTM F1292. There are different types of surfacing to choose from; whichever product you select, follow these guidelines:

Do not install home playground equipment over concrete, asphalt, or any other hard surface. A fall onto a hard surface can result in serious injury to the equipment user. Grass and dirt are not considered protective surfacing because wear and environmental factors can reduce their shock absorbing effectiveness. Carpeting and thin mats are generally not adequate protective surfacing.

Loose-Fill Materials

- Maintain a minimum depth of 9 inches of loose-fill materials such as wood mulch/chips, engineered wood fiber (EWF), or shredded/recycled rubber mulch for equipment up to 8 feet high; and 9 inches of sand or pea gravel for equipment up to 5 feet high. NOTE: An initial fill level of 12 inches will compress to about a 9-inch depth of surfacing over time. The surfacing will also compact, displace, and settle, and should be periodically refilled to maintain at least a 9-inch depth.
- Use containment, such as digging out around the perimeter and/or lining the perimeter with landscape edging. Don't forget to account for water drainage.
- Check and maintain the depth of the loose-fill surfacing material. To maintain the right amount of loose-fill materials, mark the correct level on play equipment support posts. That way you can easily see when to replenish and/or redistribute the surfacing.
- **Do not** install loose fill surfacing over hard surfaces such as concrete or asphalt.

IMPORTANT CONSUMER INFORMATION SHEET

Poured-In-Place Surfaces or Pre-Manufactured Rubber Tiles

You may be interested in using surfacing other than loose-fill materials-like rubber tiles or poured-in-place surfaces.

- Installations of these surfaces generally require a professional and are not “do-it-yourself” projects
- Review surface specifications before purchasing this type of surfacing. Ask the installer / manufacturer for a report showing that the product has been tested to the following safety standard: *ASTM F1292 Standard Specification for Impact Attenuation of Surfacing Materials within the Use Zone of Playground Equipment*. This report should show the specific height for which the surface is intended to protect against serious head injury. This height should be equal to or greater than the *fall height*-vertical distance between a designated play surface (*elevated surface for standing, sitting, or climbing*) and the protective surfacing below-of your play equipment.
- Check the protective surfacing frequently for wear.

PLACEMENT

Proper placement and maintenance of protective surfacing is essential. Be sure to:

- Extend surfacing at least 6 feet from the equipment in all directions.
- For to-fro swings, extend protective surfacing in front of and behind the swing to a distance equal to twice the height of the top bar from which the swing is suspended.

IMPORTANT CONSUMER INFORMATION SHEET

Outdoor Home Playground Safety Checklist

Use this to help make your home playground a safe place to play!

Supervision	Be sure to always supervise children on play equipment.
Surfacing	<p>Install a protective surface under and around play equipment to reduce the likelihood of serious head injuries.</p> <p>For most play equipment, install protective surfacing 6 feet in all directions beyond the equipment.</p> <p>For swings, extend protective surfacing in front and back of the swing to a distance that is twice the height of the bar from which the swing is suspended.</p> <p>For tire swings, install protective surfacing outward from the swing equal to the suspension chain plus 6 feet.</p>
Types of Surfacing	<p>Carpeting and thin mats are not adequate as protective surfacing. Maintain at least 9 inches of loose-fill material (see page6) or use an ASTM F1292 rated material at the depth required for the equipment height.</p> <p>Use wood mulch/chips, shredded rubber mulch, or engineered wood fiber for equipment up to 8 feet high.</p> <p>Use sand, pea gravel, or mulch products listed above for play equipment up to 5 feet high; or</p> <p>Use surface mats tested to provide impact protection equal to or greater than the height of the play equipment.</p>
Equipment Maintenance	Periodically check nuts, bolts, caps, swing seats, suspension ropes, chains, and cables and replace as necessary. Maintain loose-fill surfacing and surface mats.
Opening	Eliminate openings that can trap a child's head or neck, such as openings in guardrails or ladders. Openings should be smaller than 3 1/2 inches to prevent entry of a small child's body, or larger than 9 inches to allow a child's head and body to slide completely through.
Ropes	Never attach jump ropes, clotheslines, pet leashes, or cords of any kind to play equipment. Anchor any climbing ropes at both ends. Remove drawstrings from children's clothes. Children can strangle on these.
Anchors	Bury or cover anchors with adequate surfacing material to prevent tripping. Play equipment should not tip over.
Guardrails or Barriers	Make sure that platforms and ramps over 30 inches high have guardrails and barriers to prevent falls.
Repair	Repair sharp points and edges on equipment that can cause injuries.
Upkeep of Hardware	Replace missing hardware, eliminate protruding bolts, and close "S" hooks that can cause injuries.

IMPORTANT CONSUMER INFORMATION SHEET

What to Inspect:

Hardware:

Inspect all nuts and bolts and tighten if required. Hardware should be firmly against, but not crushing the wood. Over-tightening hardware crushes wood fibers and can split wooden components resulting in the bolt thread extending beyond the wood. This poses a severe safety hazard. If bolt threads protrude beyond the wood surface, replace the bolt with a shorter one that will not protrude. If splintering has occurred from over-tightening, larger washers can be purchased at your local hardware store and installed under the bolt head. Be sure to reuse or replace your lock washers.

Major Wooden Parts:

Inspect for structural defects and splintering. If necessary, lightly sand and refinish with an exterior water repellent stain. Seasonal checking or cracking of the grain on wooden parts is quite natural and water and heat are the most frequent causes of expansion and contraction of wood fibers. Our wood set has been treated with stain to resist weathering. But it needs to be maintained periodically by applying new stain or paint.

Dowels (Rungs)

Inspect for structural defects and splintering. If necessary, lightly sand and refinish with a clear water repellent, exterior sealant or boiled linseed oil. Do NOT paint, varnish or finish rungs with any substance that may reduce your child's ability to firmly grasp or step on the rungs.

Swing hangers

Inspect for correct installation. Assure the bend of the swing hanger is positioned tightly against the stop washer and the ladder or swing beam. The axis of the swing hanger bushing must be perpendicular to the swing motion. Spray the nylon bushings with a household lubricant such as WD-40, if you hear squeaking.

Plastic Swing Seats

Check for evidence of deterioration. Replace any swing seat that has developed cracks in the seat or has exposed metal in the edges of the swing seat. If there are already exposed metal inserts on the edge of the seat, remove the seats and chains to prevent serious injury. Remove plastic swing seats and take indoors or do NOT use when the temperature drops below 32 degrees F.

Ropes, Cables and Chains

Check for evidence of deterioration. Ropes, cables and chains should be removed and replaced if excessive wear is found. Contact our service center for replacement parts.

Metallic Components

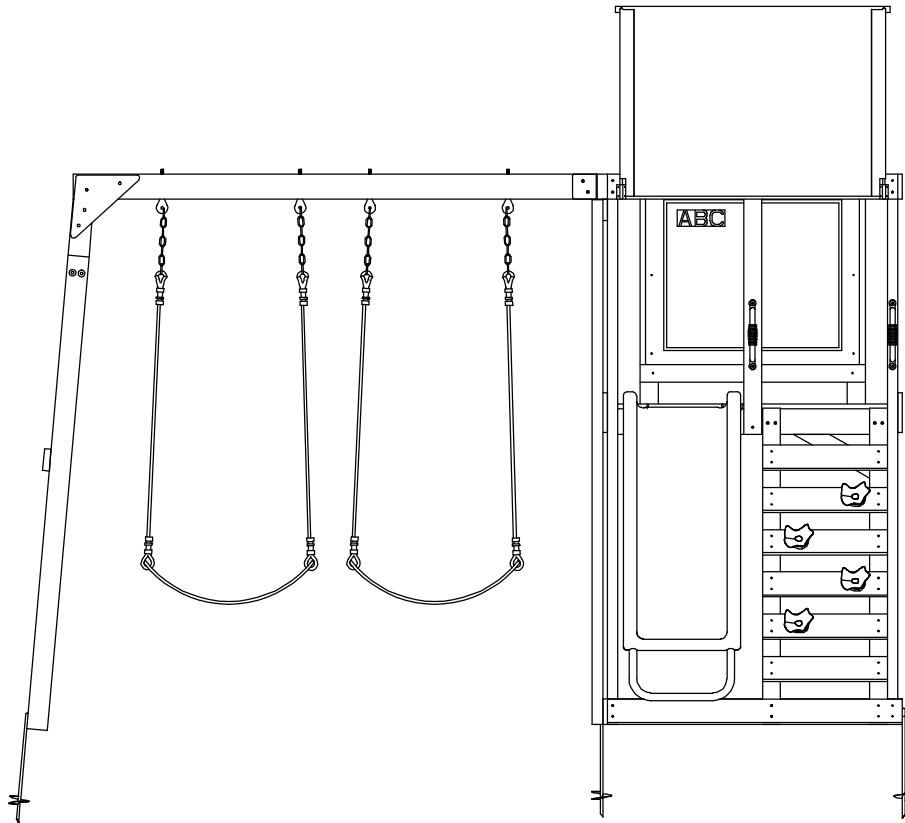
Check for rusted areas on components such as monkey bars, hand supports, brackets, etc. Sand and repaint using a non lead-based paint that meets the requirements of Title 16 CRF part 1303.

Play Area

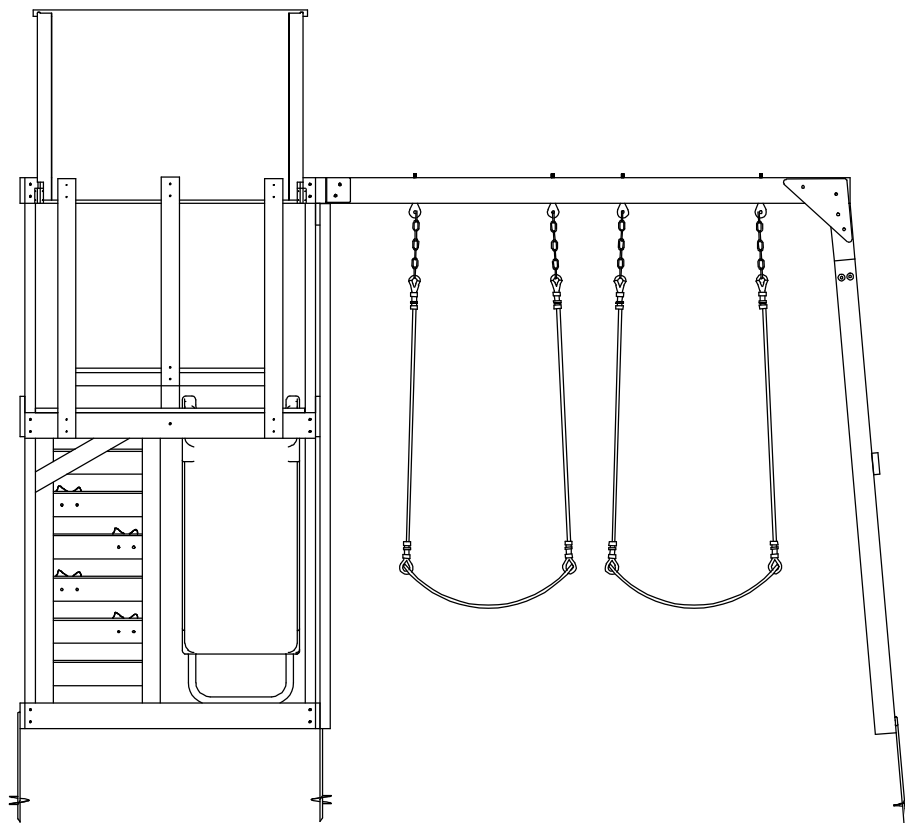
Inspect to assure that the swing set has settled properly and the location of the set is still level.

COMPLETE PRODUCT VIEW

FRONT VIEW OF COMPLETE PRODUCT

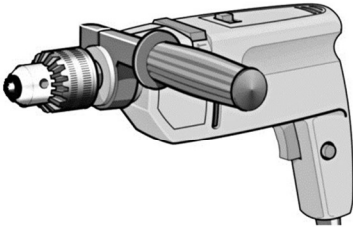


BACK VIEW OF COMPLETE PRODUCT



TOOLS NEEDED

These are the tools that are generally required for installation.
These tools are not included in the purchased packaging unless stated below.



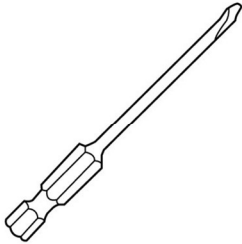
Electric Drill



Phillips Head Screw Drive
 $\frac{3}{16}$ " bit



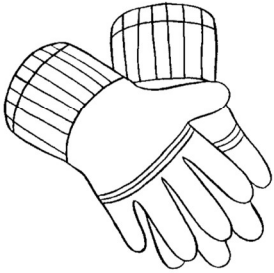
Ladder or Step Tool



Phillips Head Screwdriver



Tape Measure

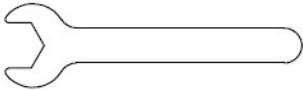


Working Gloves

INCLUDED



Special Socket Wrench

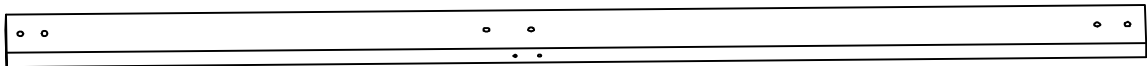
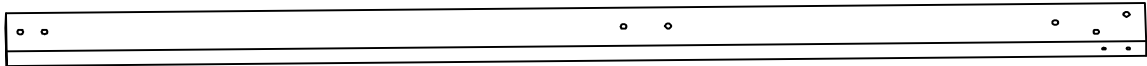
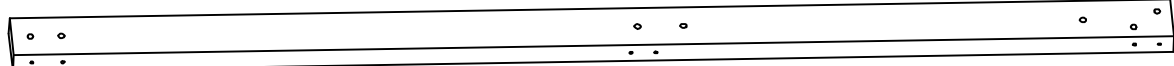
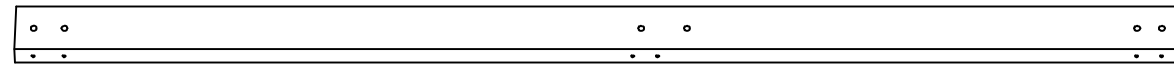




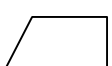
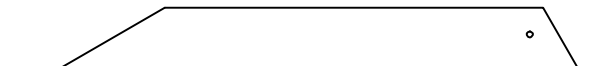
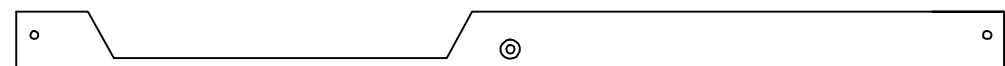
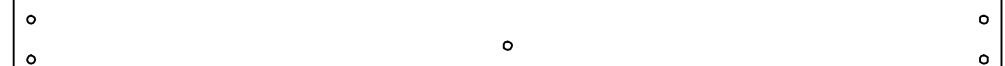





Wrench
(M14)

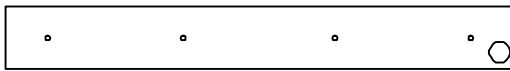


Small Allen Wrench
(#4)

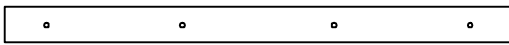
WOOD PARTS LIST

	AH1x1PC
	AH1Ax1PC
	AH2x1PC
	AH3x1PC
	AH4x1PC
	AH5x1PC
	AH6x1PC
	AH7x1PC
	AH8x2PCS
	AH10x1PC
	AH11x1PC
	AH12x1PC
	AH13x1PC
	AH14x1PC
	AH15x1PC

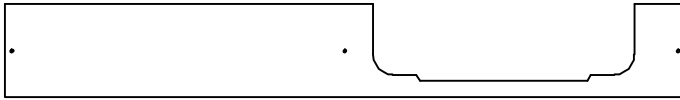
WOOD PARTS LIST



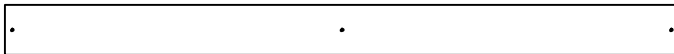
AH16x1PC



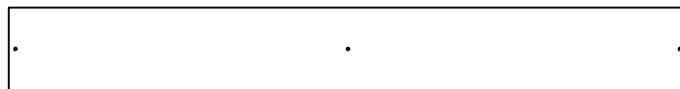
AH17x1PC



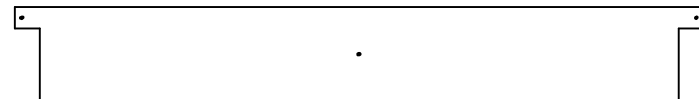
AH18x1PC



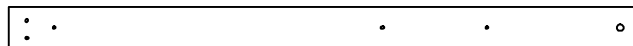
AH19x3PCS



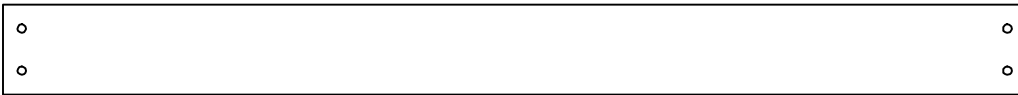
AH20x1PC



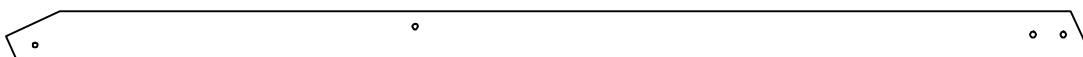
AH21x1PC



AH22x1PC



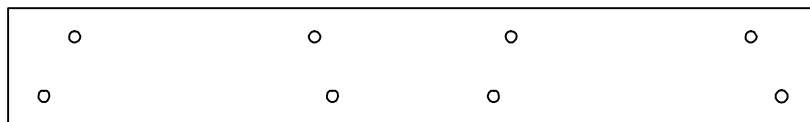
AH23x2PCS



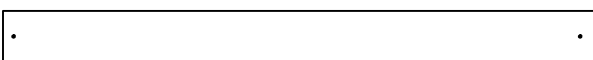
AH24x2PCS



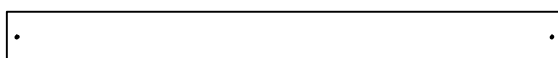
AH25x1PC



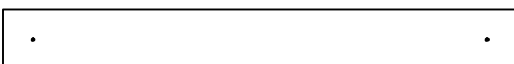
AH26x1PC



AH27x3PCS



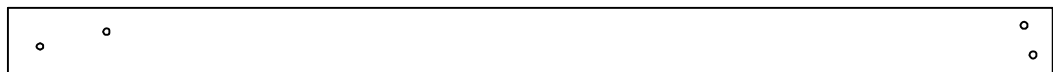
AH28x3PCS

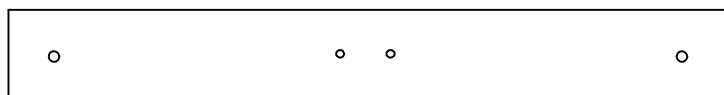


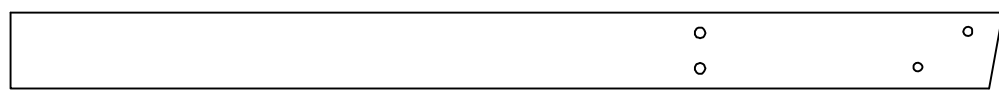
AH29x1PC

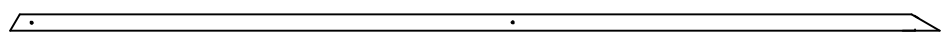
WOOD PARTS LIST

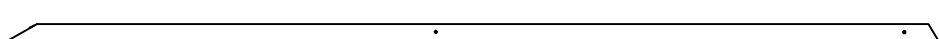
 AH32x1PC

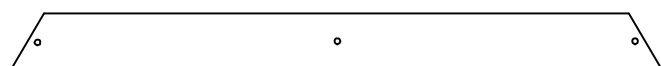
 AH33x1PC

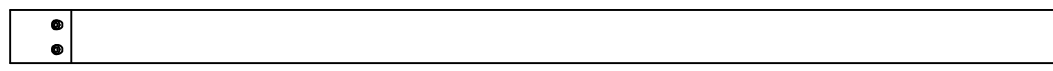
 AH34x1PC

 AH36x1PC

 AH37x1PC


 AH38x1PC

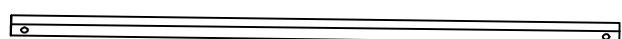
 AH39x1PC

 AH40x2PCS

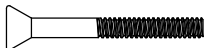
 AH41x4PCS

 AH42x2PCS

 AH43x1PC

 AH44x1PC

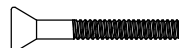
HARDWARE PARTS LIST



Z11 5/16*5.31inch x2pcs



Z8 5/16*3.5inch x6pcs



Z6 5/16*2.83inch x4pcs



Z1 5/16*2.04inch x22pcs



Z13 5/16*1.65inch x4pcs



Z7 5/16*1.89inch x6pcs



L10 M4*1.96inch x4pcs



S7 M4*1.77inch x4pcs



S6 M4*1.37inch x69pcs



S5 M4*1.10inch x34pcs



S9 M4*0.59inch x8pcs



S4 1/4*2.36inch x2pcs



L18 M4*0.63inch x16pcs



B12 1/4*1.18inch x8pcs



S3 1/4*1.97inch x20pcs



S2 1/4*1.57inch x6pcs



S1 1/4*1.06inch x8pcs



S18 ST7*1.97inch x4pcs



V1 5/16 x50pcs



V2 1/4 x12pcs



V3 5/16 x48pcs



V4 5/16 x36pcs



V5 1/4 x8pcs



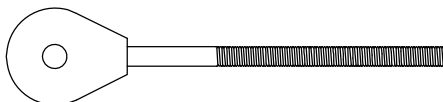
V6 5/16 x8pcs



V18 5/16 x4pcs



V20 1/4 x28pcs



V27 3/8*x4.01inch x4pcs



V23 3/8 x4pcs



V24 3/8 x8pcs



V21 3/8 x4pcs

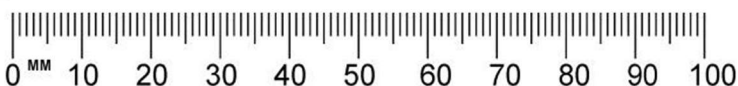
NOTE: EXTRA HARDWARE MAY BE INCLUDED

Measuring Hardware

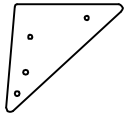
It is very important that you get the right hardware in the correct place when assembling the unit. You can use a ruler to measure your hardware or you can compare the hardware to the hardware identification page.

NOTES:

- 1) Do not include bolt head when measuring length of bolt.
- 2) Include full length of deck screw when measuring



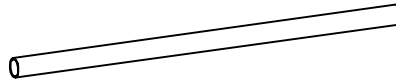
COMPONENT PARTS LIST



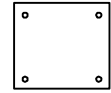
U3-1 x2pcs



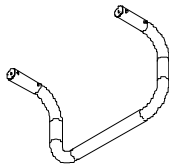
U4 x4pcs



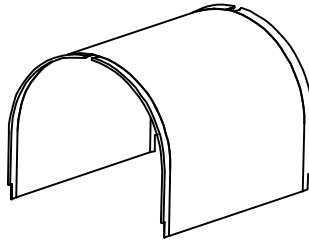
U1 x1pc



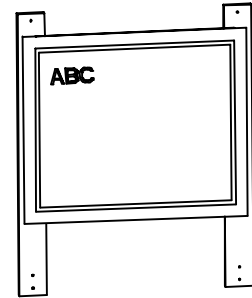
U11 x2pcs



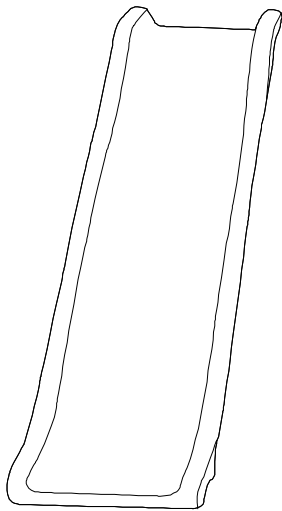
U10 x1pc



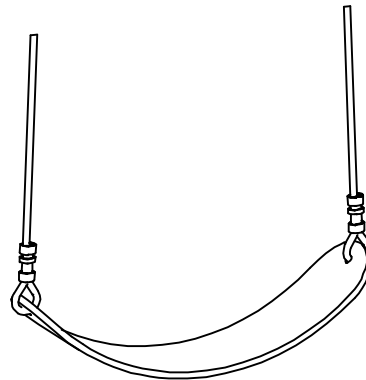
U866 x1pc



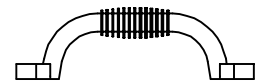
U866-1 x1pc



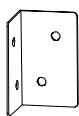
U9 x1pc



U5R x2pcs



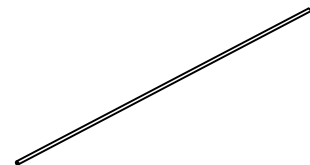
U42 x2pcs



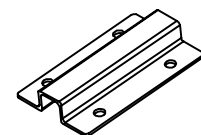
U2 x2pcs



U50 x4pcs



U255 x2pcs



U256 x4pcs

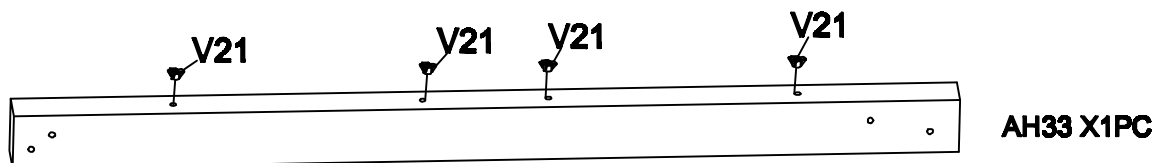
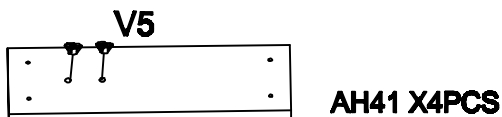
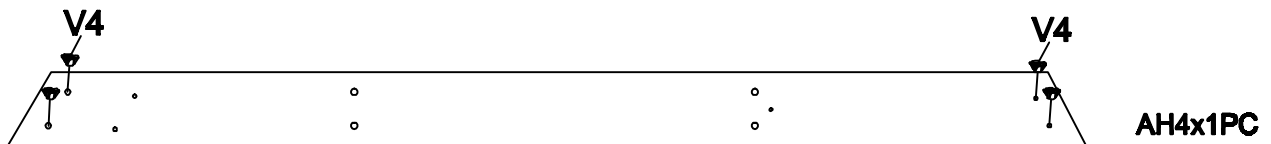
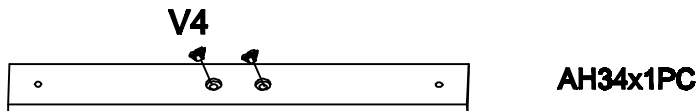
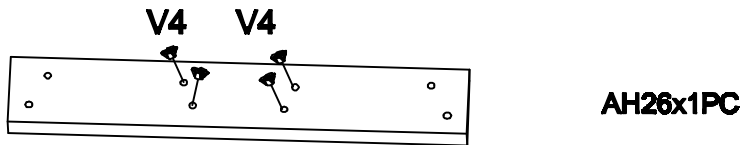
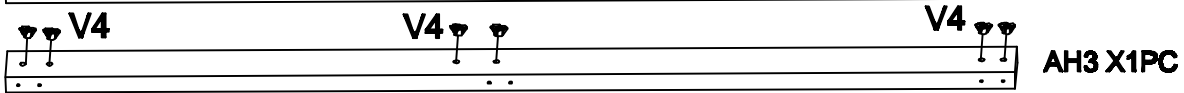
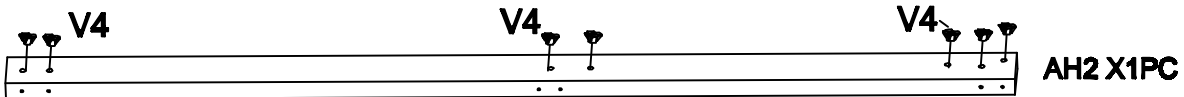
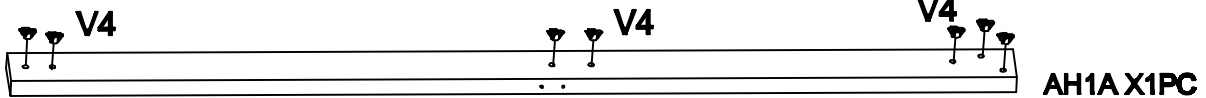
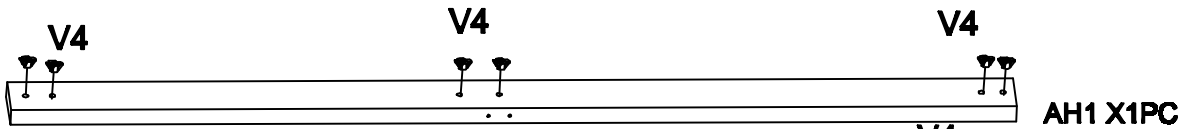
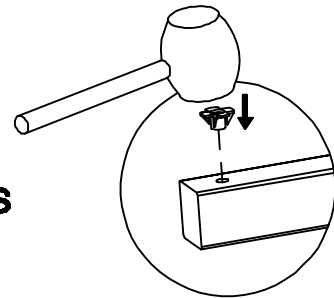
HARDWARE PRE-ASSEMBLE

Please pre-assemble the wood boards listed below before you begin to assemble the product.
Hammer the square head rivets into the pre-drilled holes as shown below.


V21 x4PCS


V5 x8PCS


V4 x36PCS

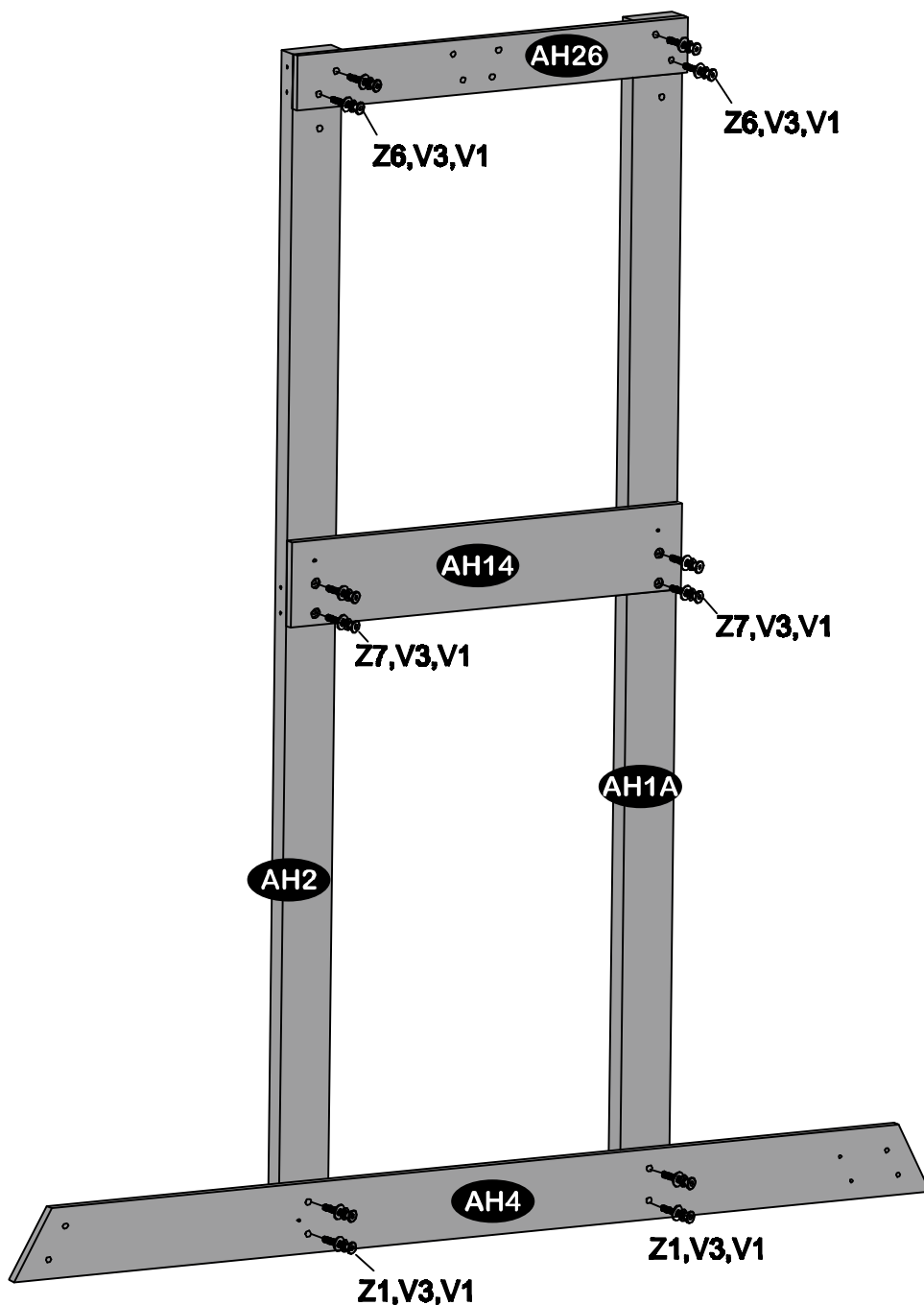


ASSEMBLY AND INSTALLATION INSTRUCTIONS

STEP 1

Part#	Qty	Hardware#	Qty
AH1A	1 pc	Z1	4 pcs
AH2	1 pc	Z6	4 pcs
AH4	1 pc	Z7	4 pcs
AH14	1 pc	V3	12 pcs
AH26	1 pc	V1	12 pcs

- Connect AH26 to AH1A and AH2, using Z6, V3 and V1 (4 sets).
Noted: wood part AH26 needs to have warning facing outer side when assembled.
- Connect AH14 to AH1A and AH2, using Z7, V3 and V1 (4 sets).
- Connect AH4 to AH1A and AH2, using Z1, V3 and V1 (4 sets) as shown below.

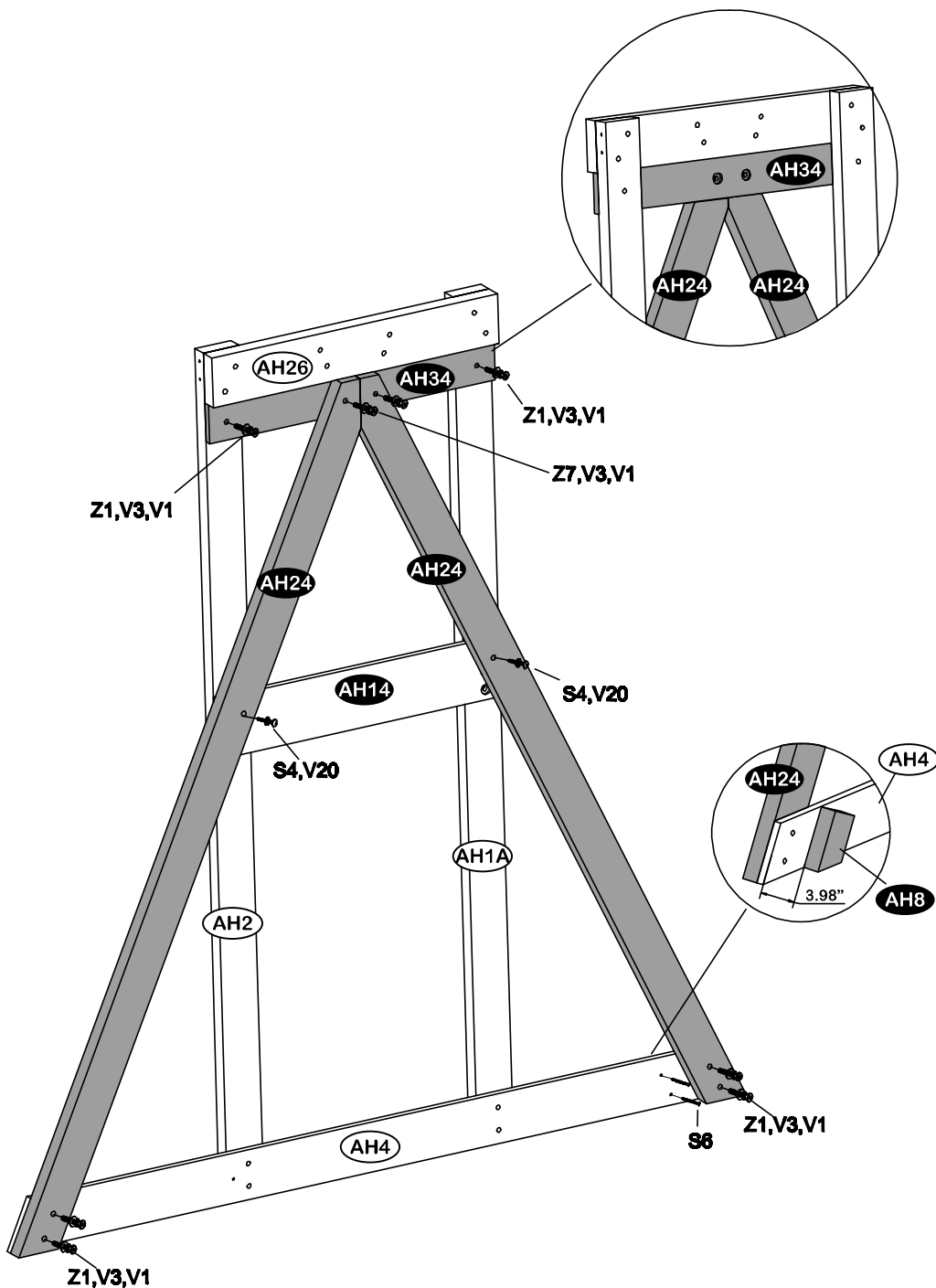


ASSEMBLY AND INSTALLATION INSTRUCTIONS

STEP 2

Part#	Qty	Hardware#	Qty
AH8	1 pc	S6	2 pcs
AH24	2 pcs	S4,V20	2 sets
AH34	1 pc	Z1,V3,V1	6 sets
		Z7,V3,V1	2 sets

- Connect AH34 to AH1A and AH2 using Z1, V3 and V1 (2 sets).
- Connect AH24 to AH34 using Z7, V3 and V1 (2 sets).
- Connect AH24 to AH4 using Z1, V3 and V1 (4 sets), then to AH14 using S4, V20 (2 sets).
- Connect AH8 to the back side of AH4 using S6 (2 pcs). Distance from edge should be 3.98INCH.

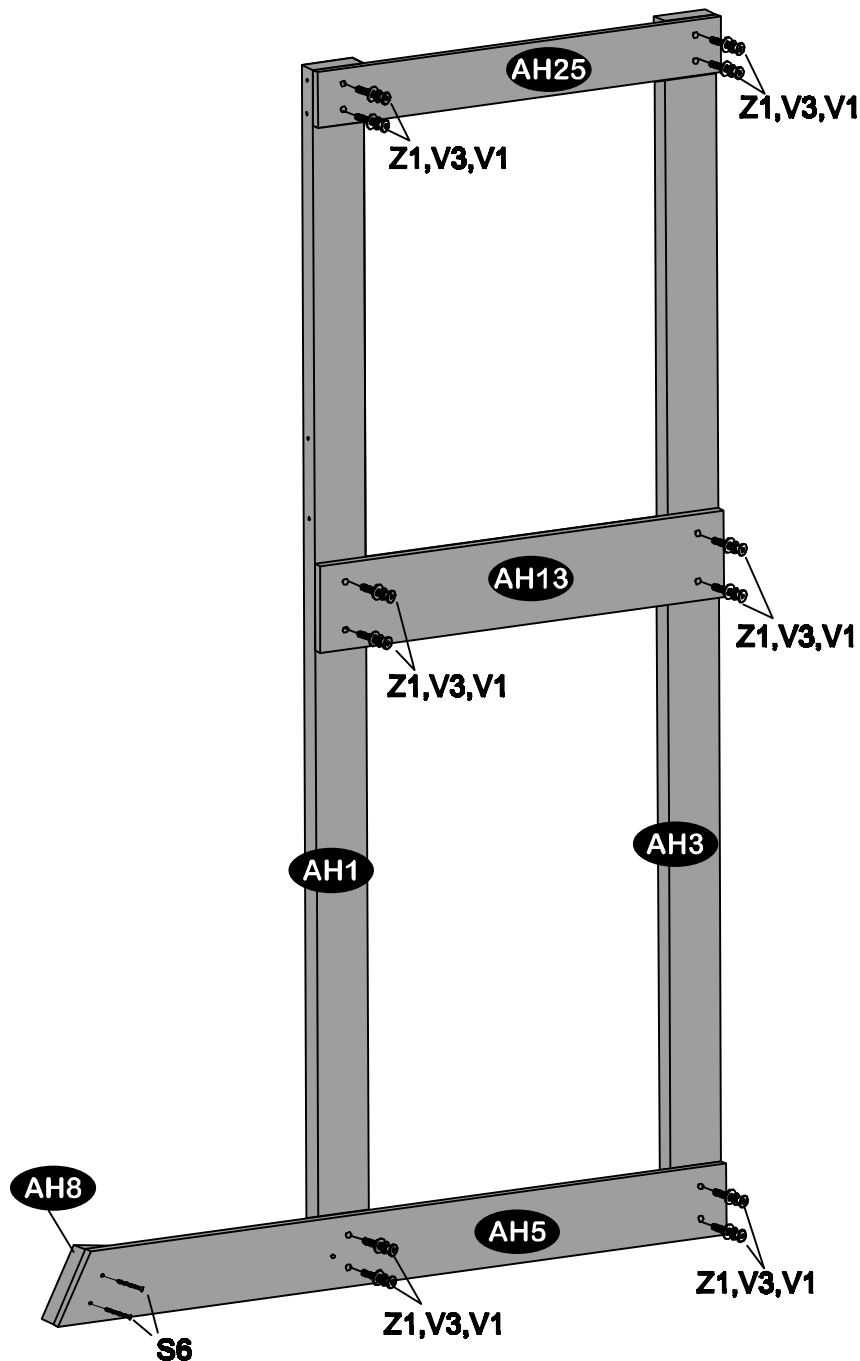


ASSEMBLY AND INSTALLATION INSTRUCTIONS

STEP 3

Part#	Qty	Hardware#	Qty
AH1	1 pc	Z1	12 pcs
AH3	1 pc	V1	12 pcs
AH5	1 pc	V3	12 pcs
AH8	1 pc	S6	2 pcs
AH13	1 pc		
AH25	1 pc		

- Connect AH25 to AH1 and AH3, using Z1, V3 and V1 (4 sets).
- Connect AH13 to AH1 and AH3, using Z1, V3 and V1 (4 sets).
- Connect AH5 to AH1 and AH3, using Z1, V3 and V1 (4 sets).
- Connect AH8 to the back side of AH5 using S6 (2 pcs) as shown below.

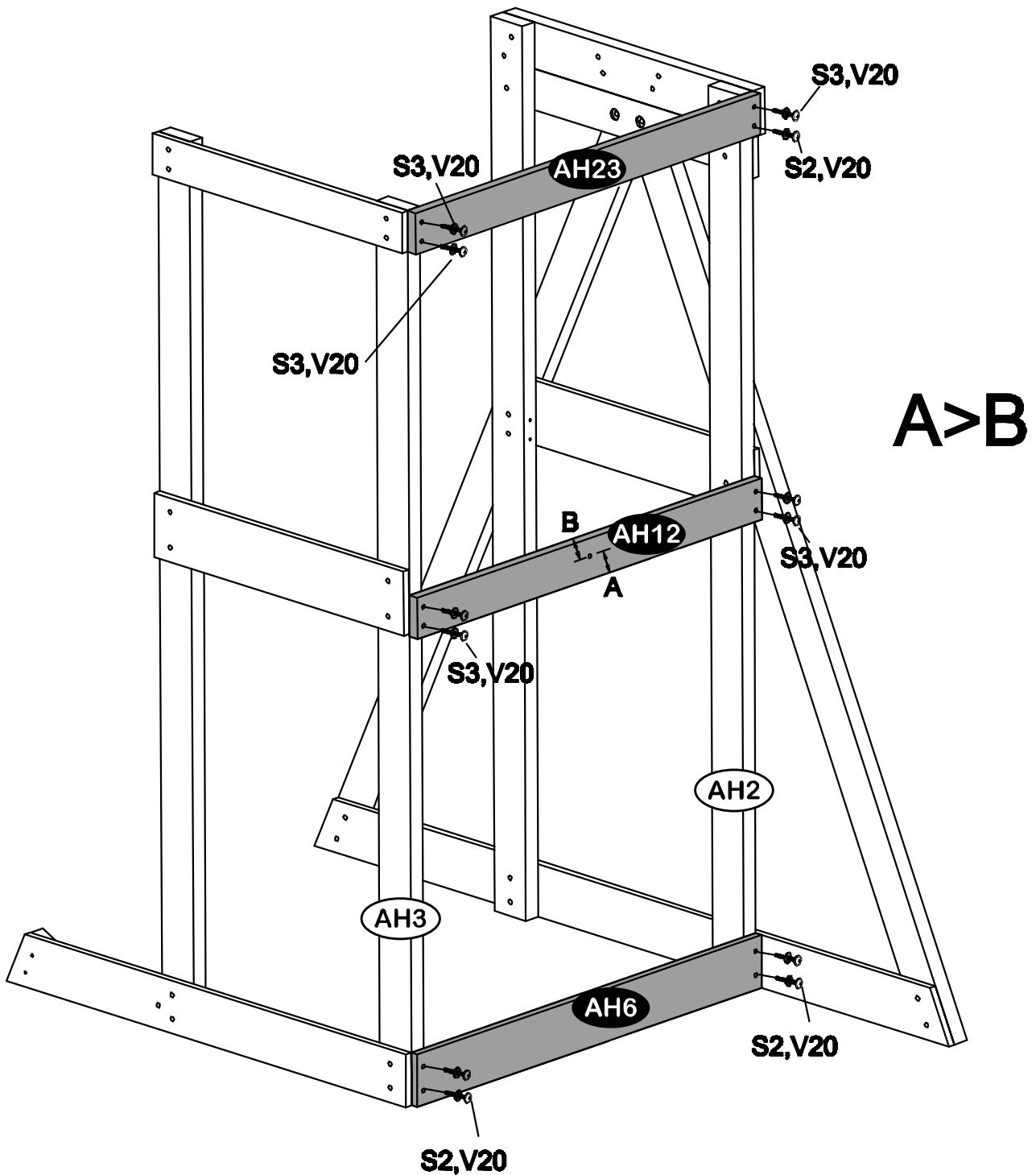


ASSEMBLY AND INSTALLATION INSTRUCTIONS

STEP 4

Part#	Qty	Hardware#	Qty
AH6	1 pc	S2	5 pcs
AH12	1 pc	S3	7 pcs
AH23	1 pc	V20	12 pcs

- Connect AH6 to AH2 and AH3, using S2, V20 (4 sets).
- Connect AH12 to AH2 and AH3, using S3, V20 (4 sets). Make sure length of A>B.
- Connect AH23 to AH2 and AH3, using S2, V20 (1 set) and S3, V20 (3 sets) as shown below.

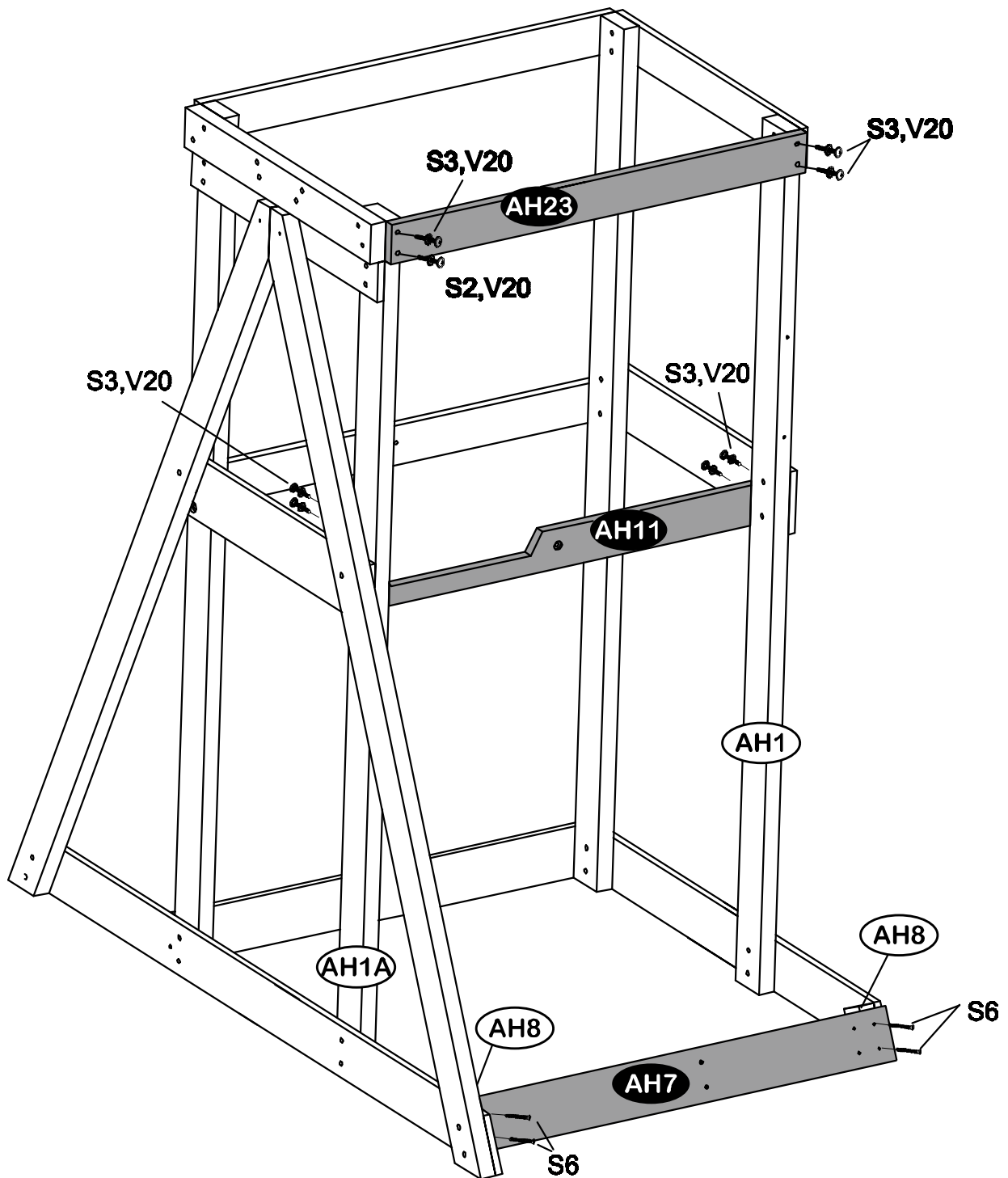


ASSEMBLY AND INSTALLATION INSTRUCTIONS

STEP 5

Part#	Qty	Hardware#	Qty
AH7	1 pc	S2,V20	1 set
AH11	1 pc	S3,V20	7 sets
AH23	1 pc	S6	4 pcs

- Connect AH11 to AH1 and AH1A, using S3 and V20 (4 sets).
- Connect AH23 to AH1 and AH1A, using S2, V20 (1 set) and S3, V20 (3 sets).
- Connect AH7 to AH8 using S6 (4 pcs) as shown below.

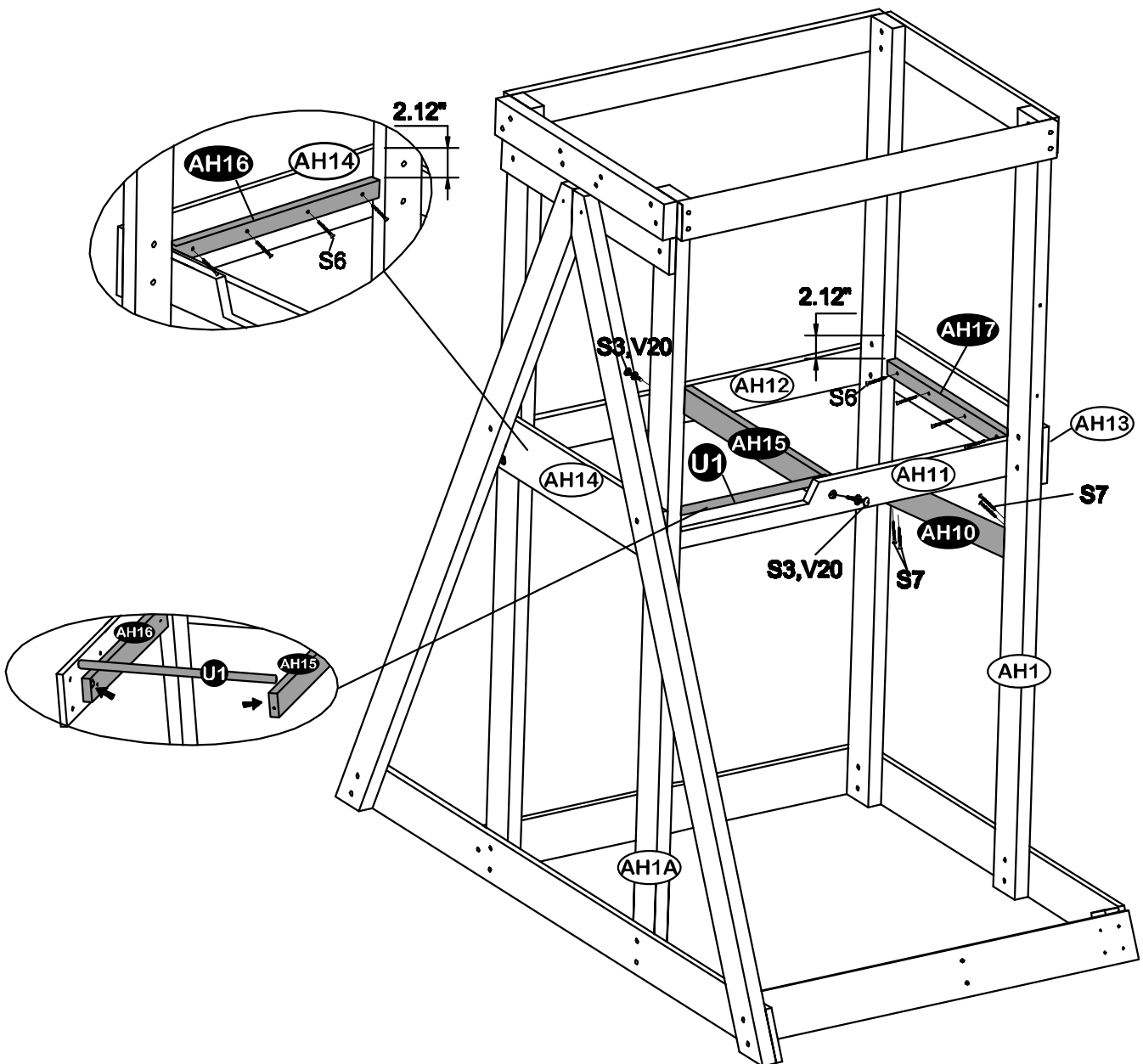


ASSEMBLY AND INSTALLATION INSTRUCTIONS

STEP 6

Part#	Qty	Hardware#	Qty
AH10	1 pc	S3	2 pcs
AH15	1 pc	S6	8 pcs
AH16	1 pc	S7	4 pcs
AH17	1 pc	V20	2 pcs
U1	1 pc		

- Connect AH16 to AH14 using S6 (4 pcs), then connect AH17 to AH13 using S6 (4 pcs).
NOTE: AH16 and AH17 should be positioned 2.12 Inch from the top edge.
- Attach U1 to AH15 and AH16, then connect AH15 to AH11 and AH12 using S3 and V20 (2 sets).
- Connect AH10 to AH11 and AH1 using S7 (4 pcs) as shown below.

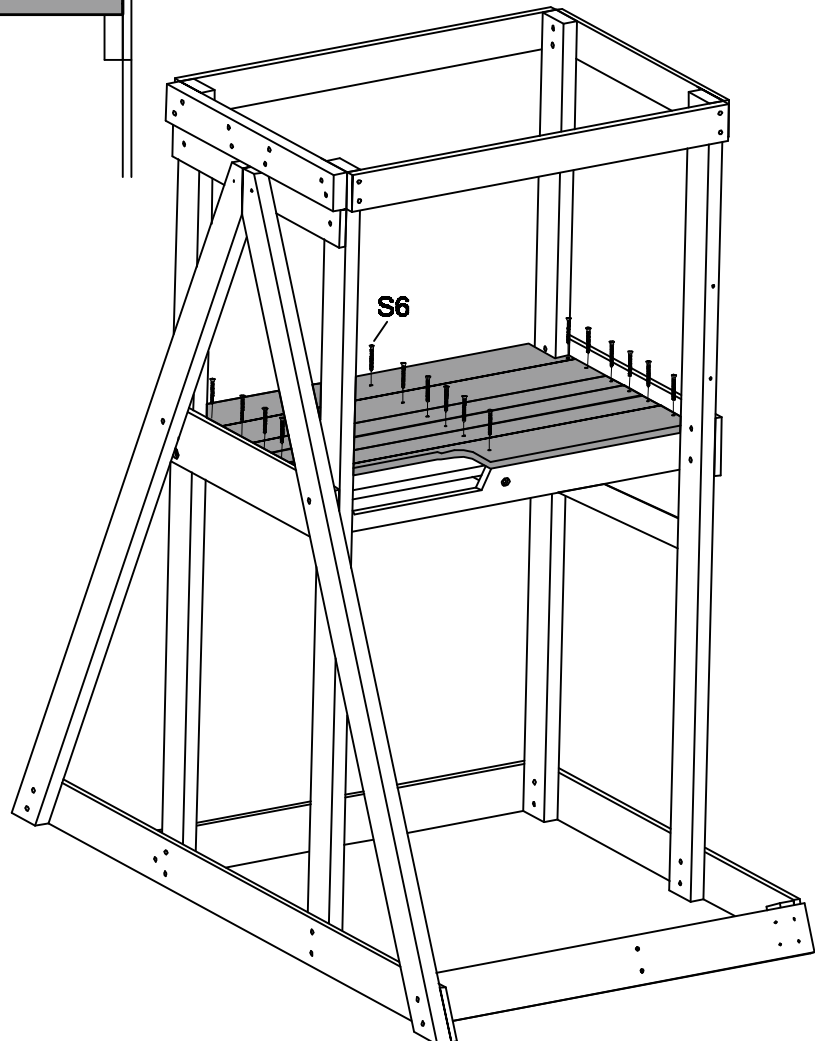
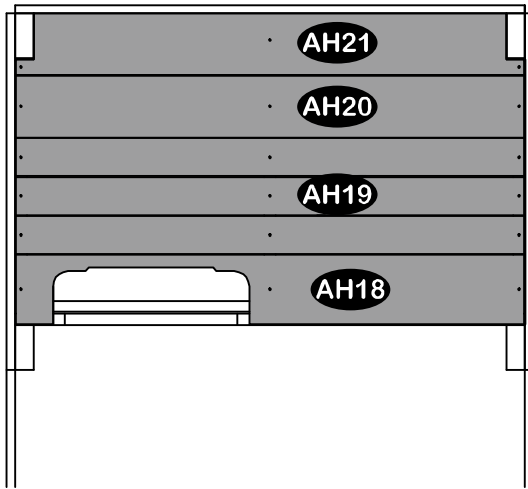


ASSEMBLY AND INSTALLATION INSTRUCTIONS

STEP 7

Part#	Qty	Hardware#	Qty
AH18	1 pc	S6	18 pcs
AH19	3 pcs		
AH20	1 pc		
AH21	1 pc		

- Connect AH18 and AH21 to the 2 ends of the platform using S6 (6 pcs).
- Connect AH19 (3pcs) and AH20 in between using S6 (12 pcs) as shown below.



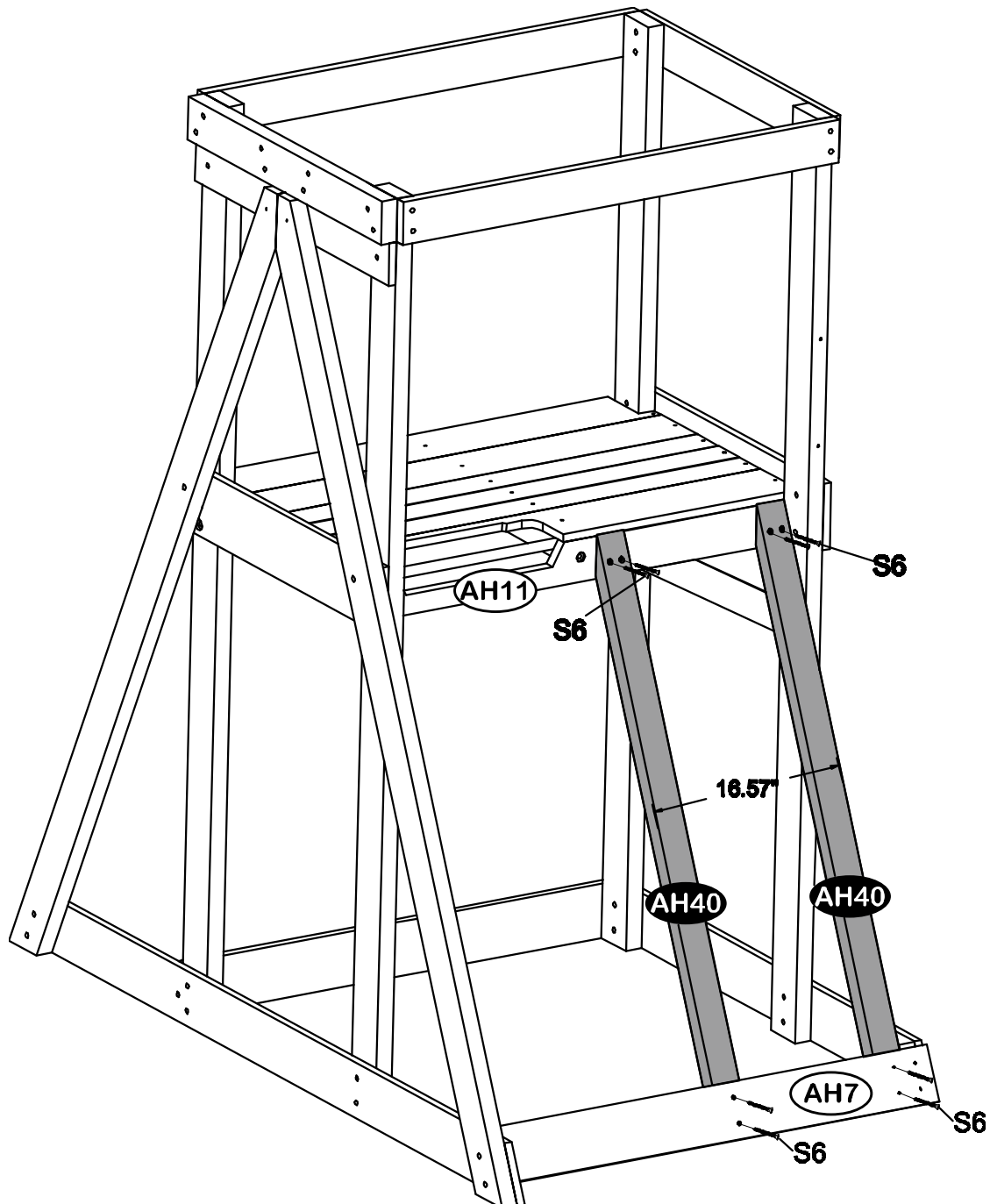
ASSEMBLY AND INSTALLATION INSTRUCTIONS

STEP 8

Part#	Qty	Hardware#	Qty
AH40	2 pcs	S6	8 pcs

- Connect AH40 to AH7 and AH11 using S6 (8 pcs).

NOTE: Please make sure the distance between the edges of AH40 is 16.57 Inch as shown below.



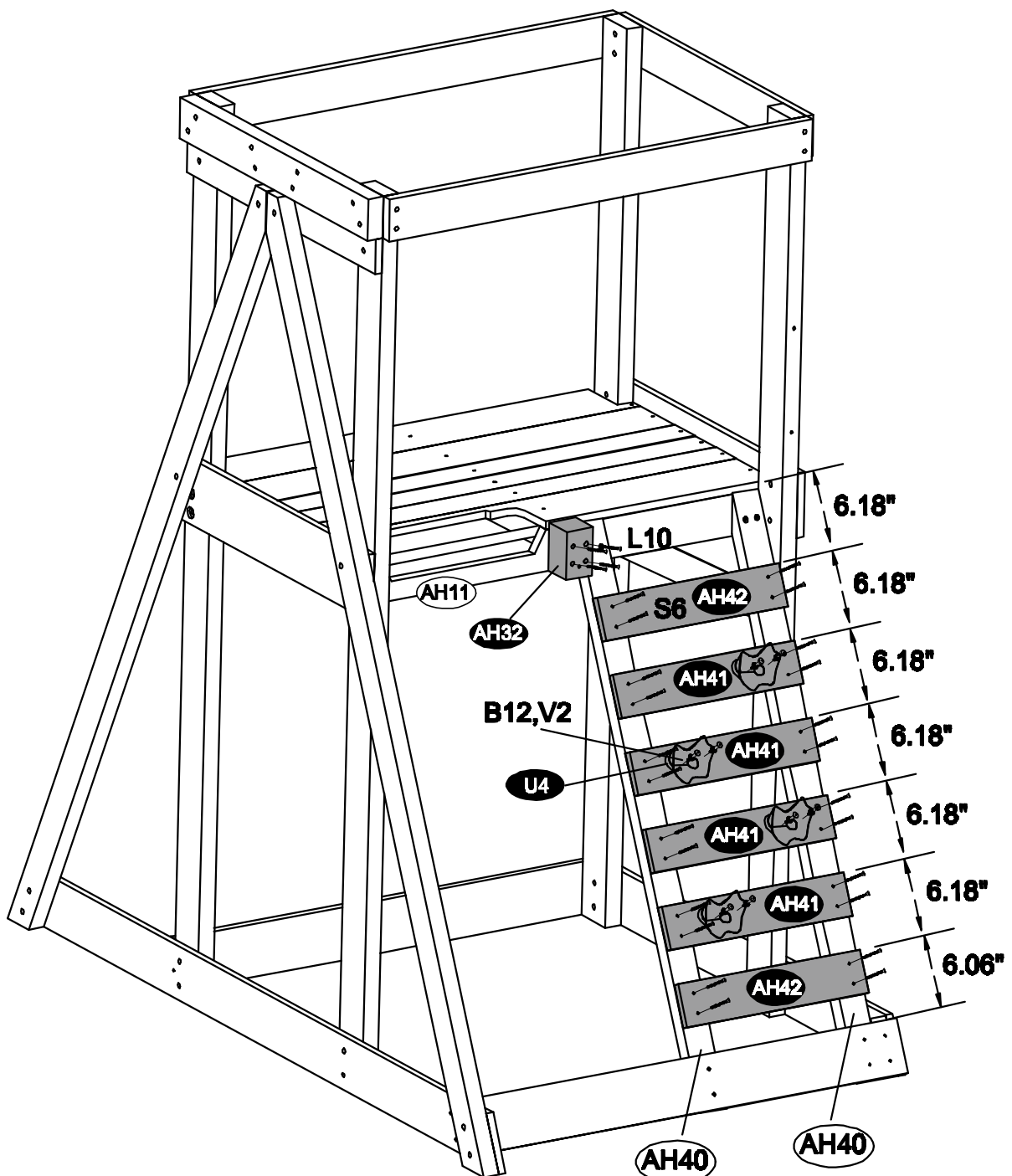
ASSEMBLY AND INSTALLATION INSTRUCTIONS

STEP 9

Part#	Qty	Hardware#	Qty
AH32	1 pc	S6	24 pcs
AH41	4 pcs	L10	4 pcs
AH42	2 pcs	B12	8 pcs
U4	4 pcs	V2	8 pcs

- Connect AH41 and AH42 to AH40 using S6 (24 pcs).
- Connect AH32 to AH11 using L10 (4 pcs).
- Connect U4 to AH41, using B12 and V2 (8 sets) as shown below.

NOTE: Please ensure the bottom AH41 is installed 6.18 Inch from the base board as shown below.

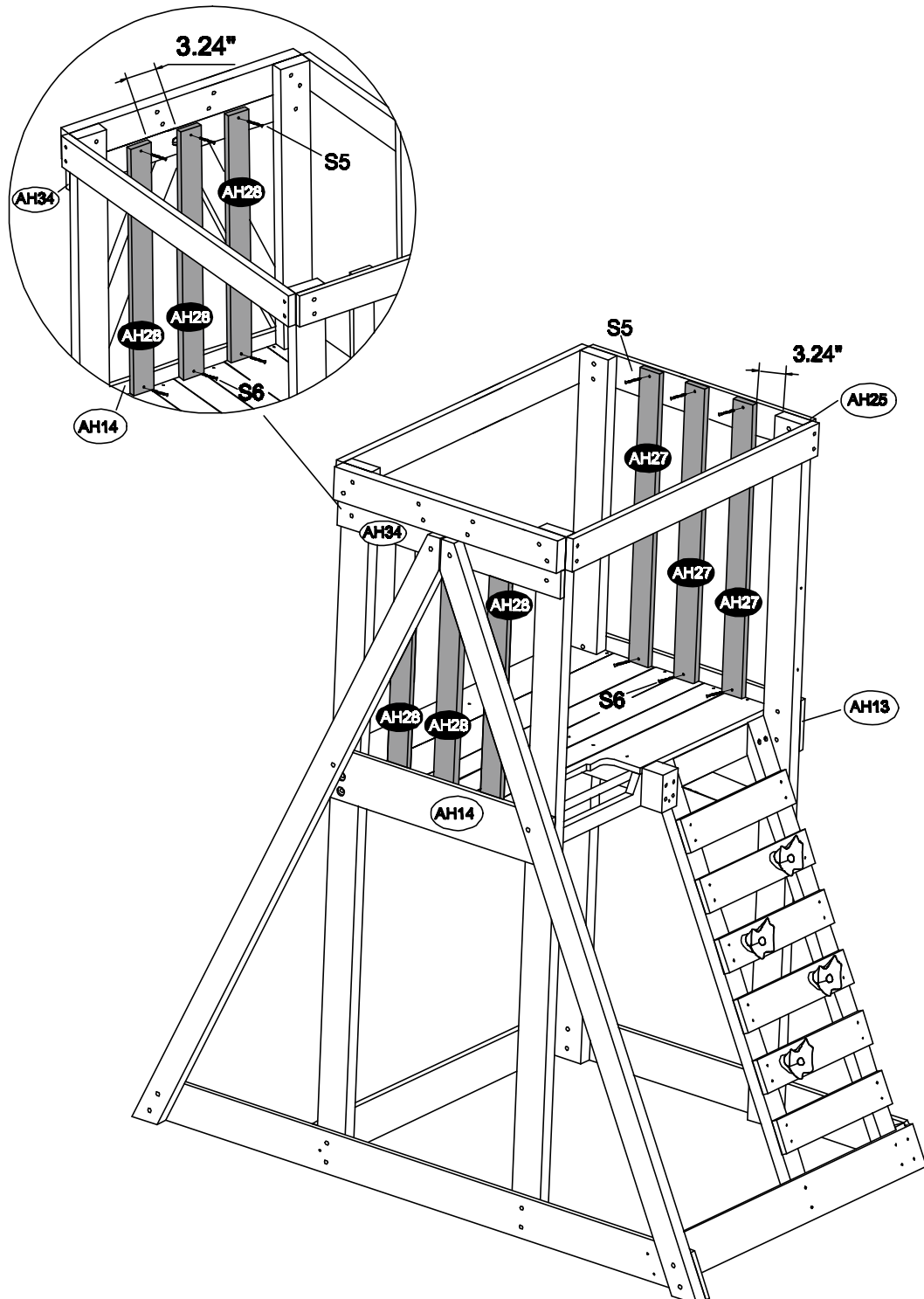


ASSEMBLY AND INSTALLATION INSTRUCTIONS

STEP 10

Part#	Qty	Hardware#	Qty
AH27	3 pcs	S5	12 pcs
AH28	3 pcs		

- Connect AH28 to AH14 and AH34 using S5 (6 pcs). Please note the distance between the boards should be 3.24 inch.
- Connect AH27 to AH13 and AH25 using S5 (6 pcs). Please note the distance between the boards should be 3.24 inch.

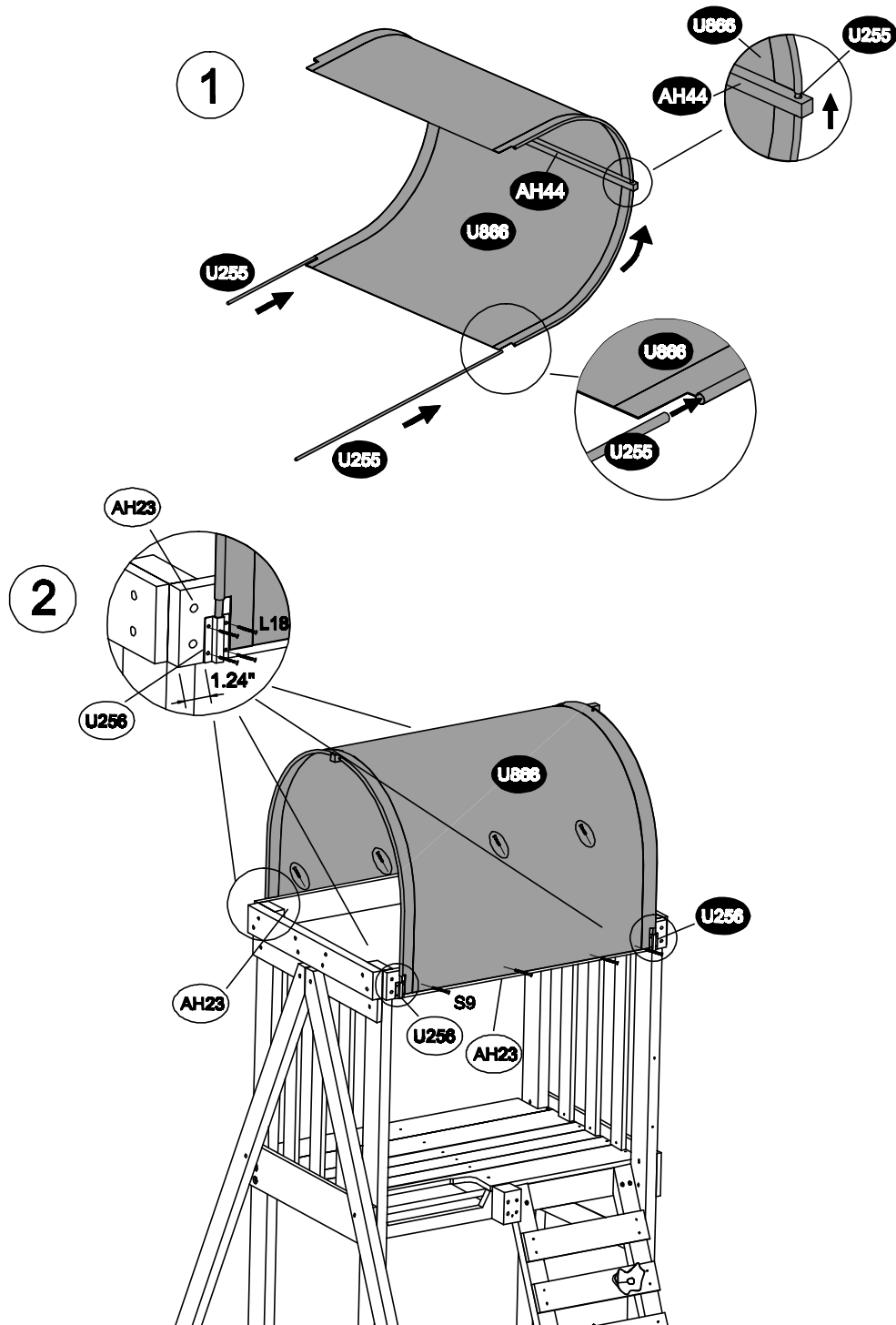


ASSEMBLY AND INSTALLATION INSTRUCTIONS

STEP 11

Part#	Qty	Hardware#	Qty
AH44	1 pc	S9	8 pcs
U255	2 pcs	L18	16 pcs
U256	4 pcs		
U866	1 pc		

- Let U255 through U866 and AH44.
- Attached U255 to AH23 using L18 (16 pcs) with U256.
- Secure canopy to AH23 using S9 (8 pcs) as shown below.

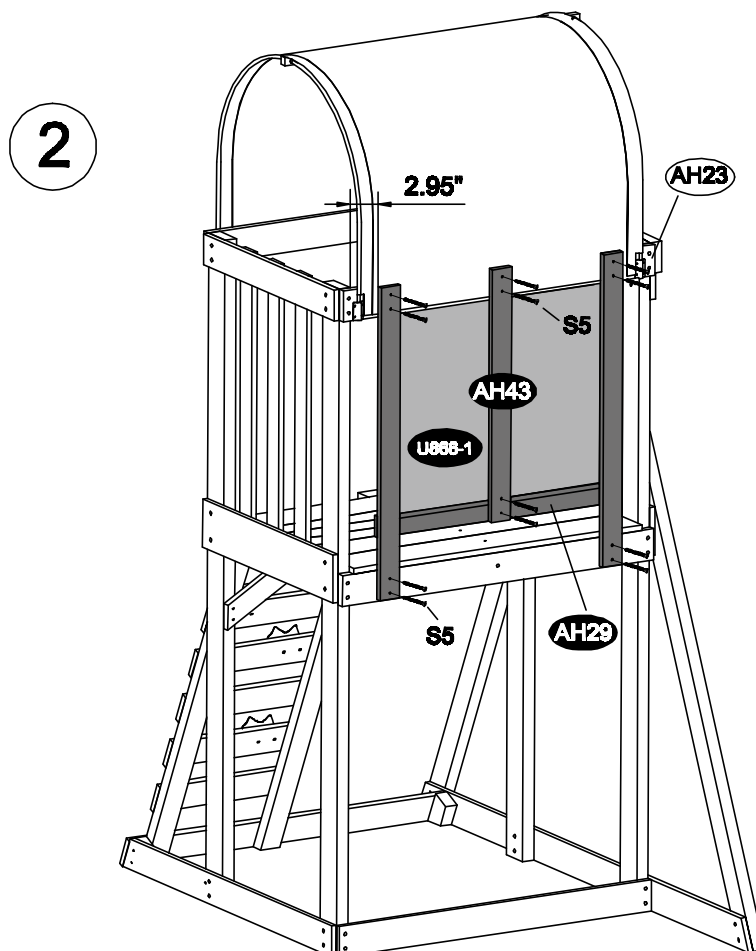
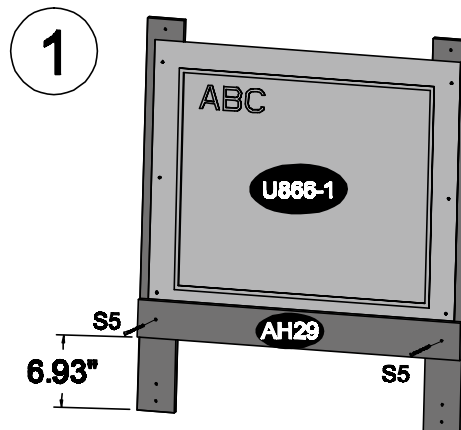


ASSEMBLY AND INSTALLATION INSTRUCTIONS

STEP 12

Part#	Qty	Hardware#	Qty
AH29	1 pc	S5	14 pcs
AH43	1 pc		
U866-1	1 pc		

- Connect AH29 to U866-1 using S5 (2 pcs). The distance from the bottom should be 6.93 Inches.
- Connect U866-1 to AH12 and AH23 using S5 (8 pcs). Please make sure the distance from the edge is 2.95 inch on both sides as shown below.
- Connect AH43 to the middle of U663R-1 using S5 (4 pcs).

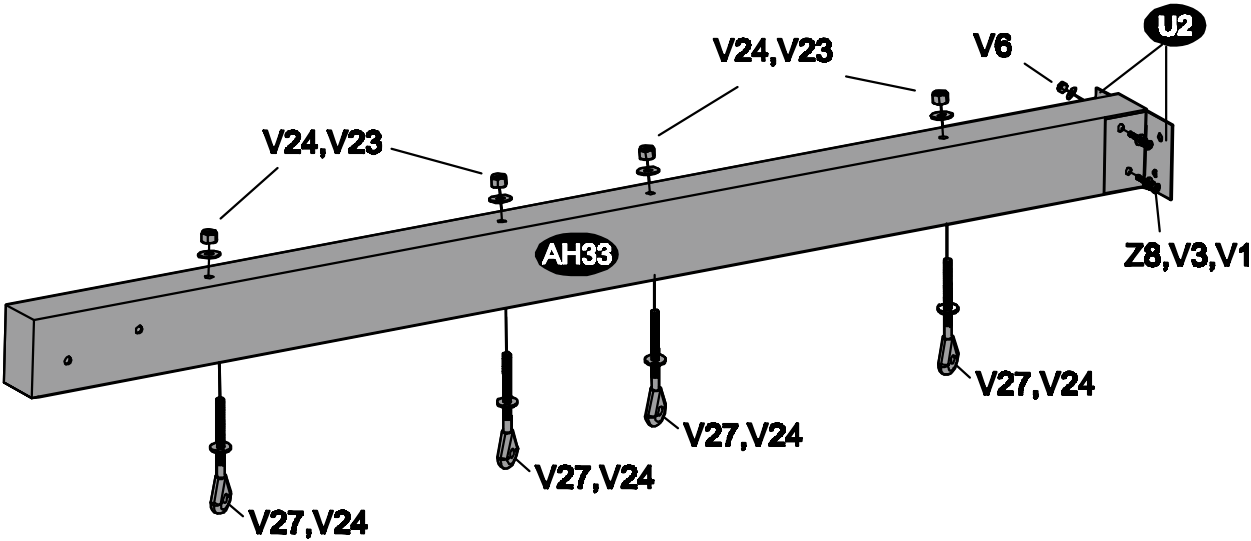


ASSEMBLY AND INSTALLATION INSTRUCTIONS

STEP 13

Part#	Qty	Hardware#	Qty
AH33	1 pc	Z8,V3,V1,V6	2 sets
U2	2 pcs	V27,V23,V24	4 sets

- Connect V27, V24 and V23 (4 sets) to AH33.
- Connect U2 to AH33 using Z8, V3, V1 and V6 (4 sets) as shown below.



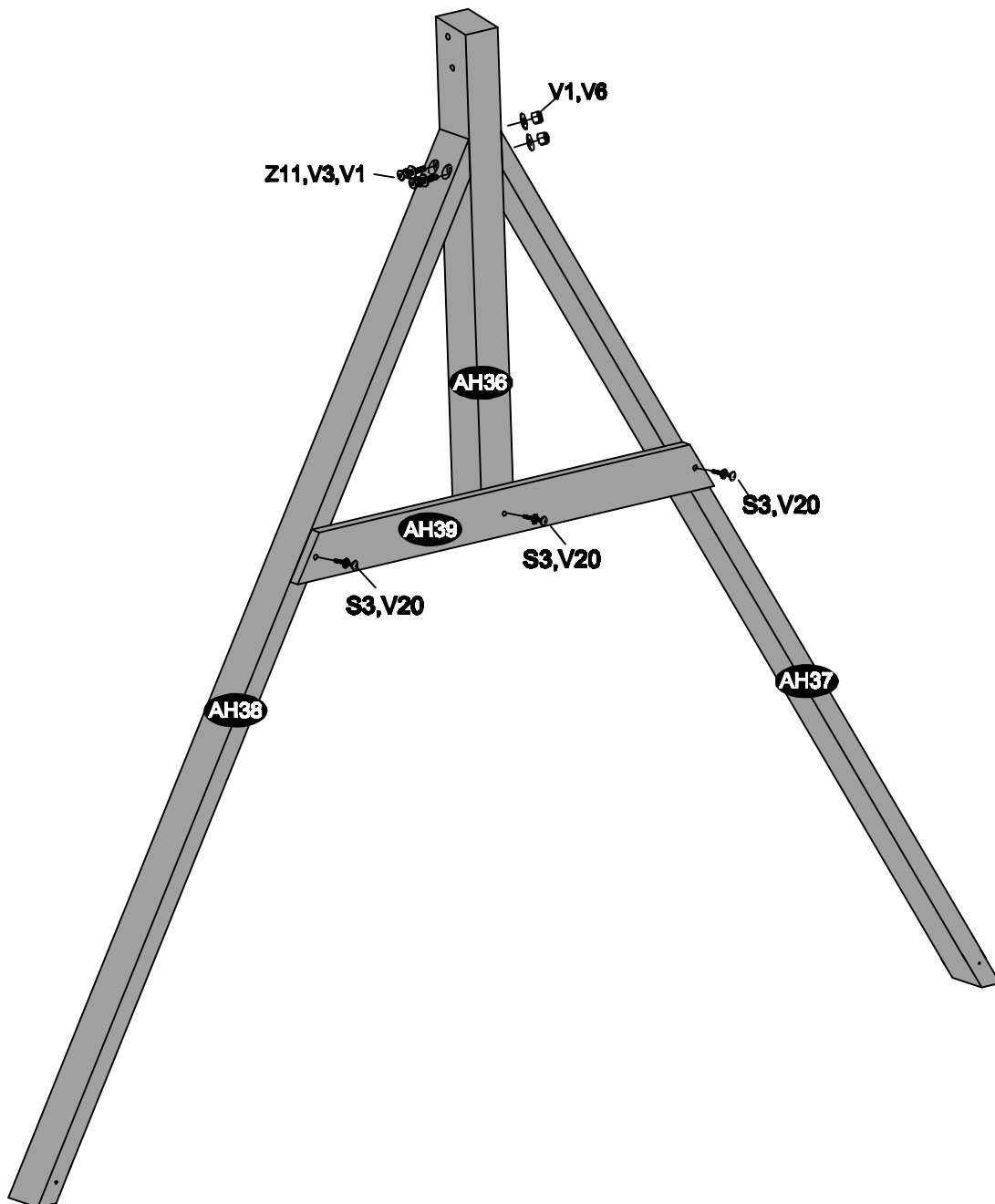
ASSEMBLY AND INSTALLATION INSTRUCTIONS

STEP 14

Part#	Qty	Hardware#	Qty
AH36	1 pc	Z11	2 pcs
AH37	1 pc	S3,V20	3 sets
AH38	1 pc	V1	4 pcs
AH39	1 pc	V3	2 pcs
		V6	2 pcs

ASSEMBLE THE SWING SUPPORT BEAM IN THE FOLLOWING ORDER:

- Insert Z11, V3 and V1 through AH38, AH36 and AH37 and fasten with V1 and V6 on the other end of screw (2 sets).
- Connect AH39 to AH37, AH36 and AH38 using S3 and V20 (3 sets) as shown below.

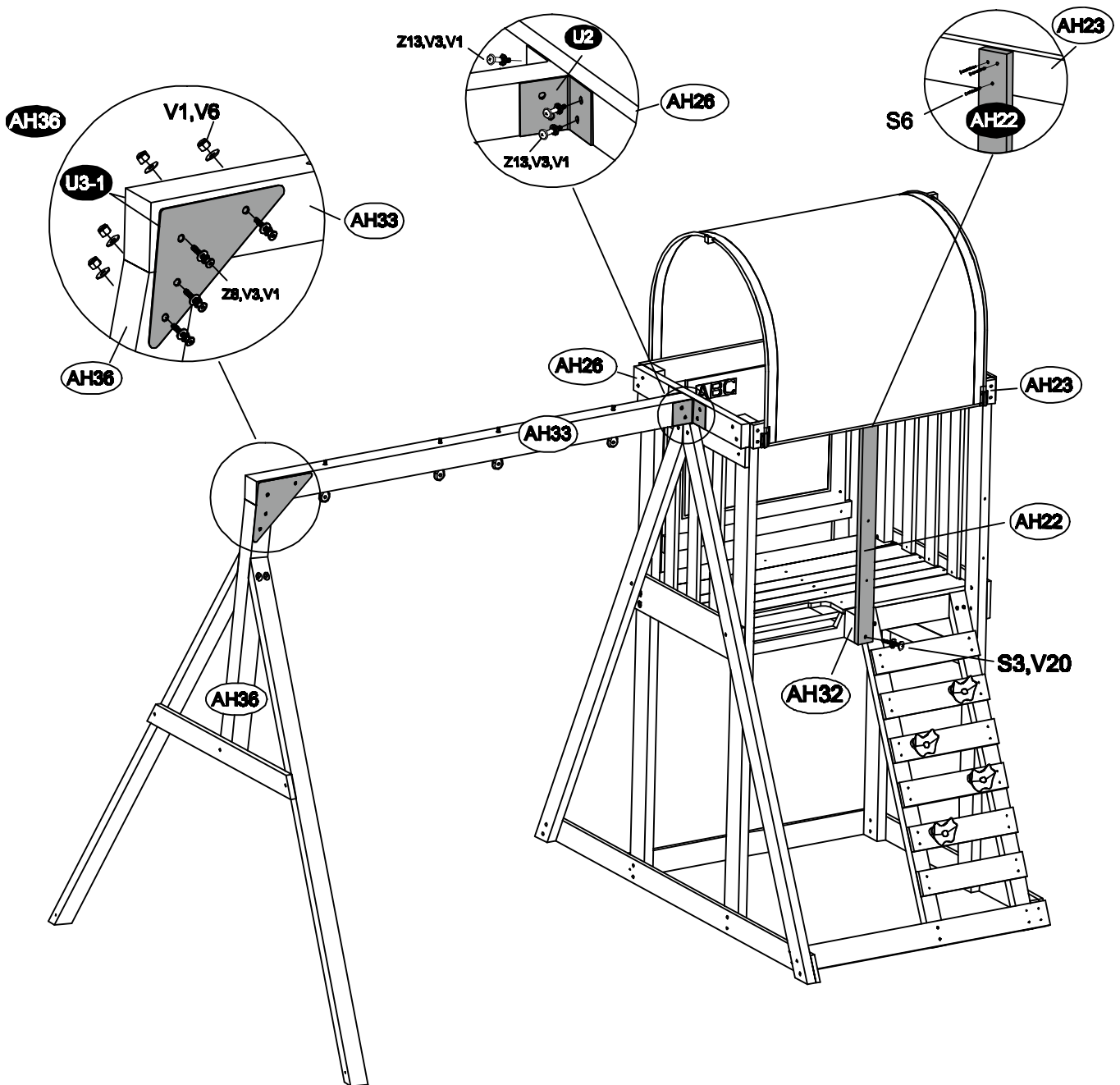


ASSEMBLY AND INSTALLATION INSTRUCTIONS

STEP 15

Part#	Qty	Hardware#	Qty
AH22	1 pc	Z8,V3,V1,V6	4 sets
U3-1	2 pcs	Z13,V3,V1	4 sets
		S6	3 pcs

- Connect AH33 and AH36 with U3-1. Secure together using Z8, V3, V1 and V1, V6 (4 sets).
- Connect AH33 to AH26 with U2. Secure together using Z13, V3 and V1 (4 sets).
- Connect AH22 to AH23 and AH32, using S3, V20 (1 set) and S6 (3 pcs) as shown below.



ASSEMBLY AND INSTALLATION INSTRUCTIONS

STEP 16

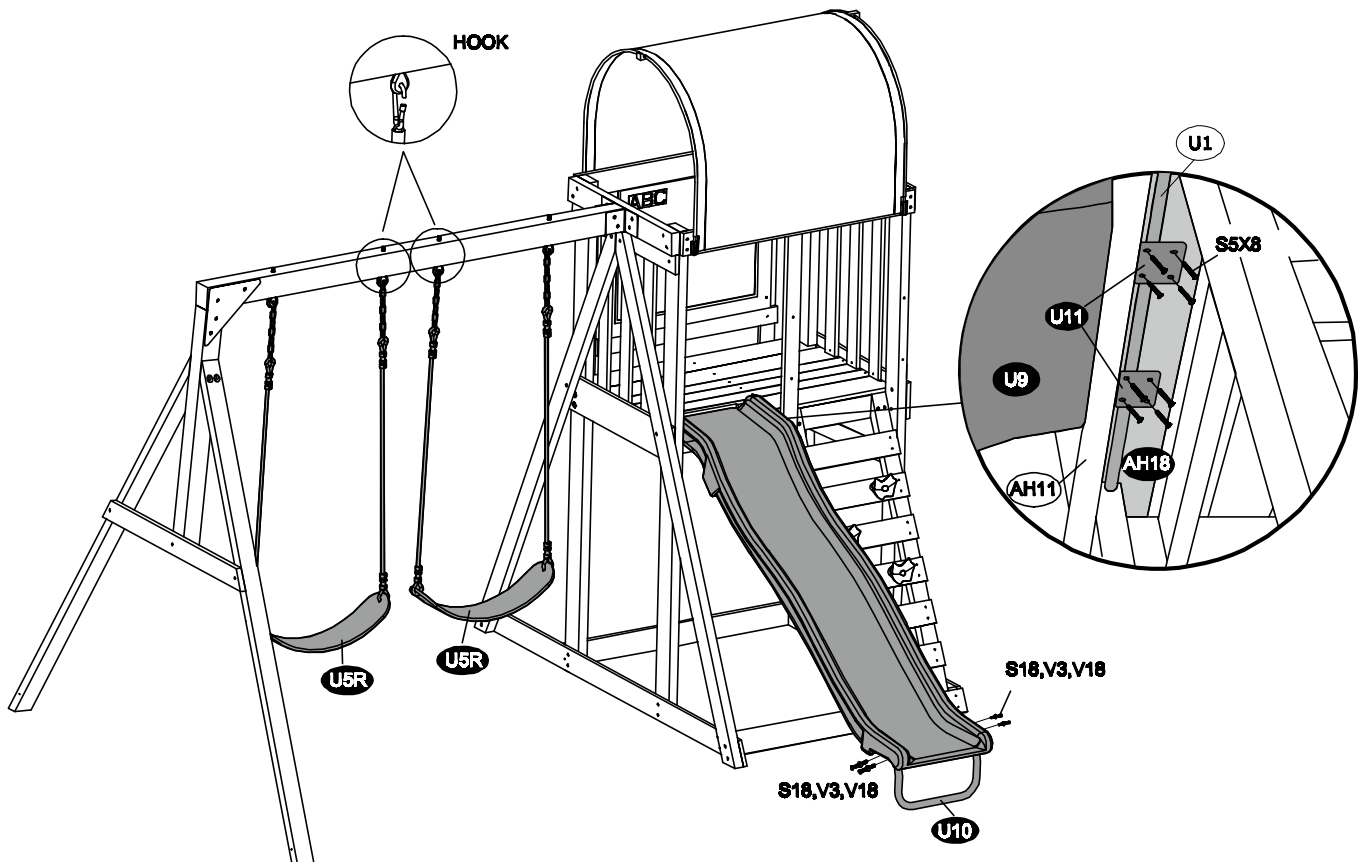
Part#	Qty	Box#	Hardware#	Qty	Box#
U9	1 pc	Box2	S5	8 pcs	Box1
U10	1 pc	Box2	S18	4 pcs	Box1
U11	2 pcs	Box1	V3	4 pcs	Box1
U5R	2 pcs	Box1	V18	4 pcs	Box1

ATTACH SLIDE TO THE PLAYHOUSE IN THE FOLLOWING ORDER:

- Attach U10 to U9, using S18, V3 and V18 (4 sets).
- Connect the slide to the playhouse with U1 from the underside using S5 (8 pcs).
- Attach the swings to the hooks on the top frame as shown below. Make sure the hooks are secured locked in place.



WARNING: Surface of slide can be extremely hot when exposed to direct sun light and could cause burn to bare skin when sliding down. Do not use the slide when it feels hot to the touch. Wait for it to cool off.

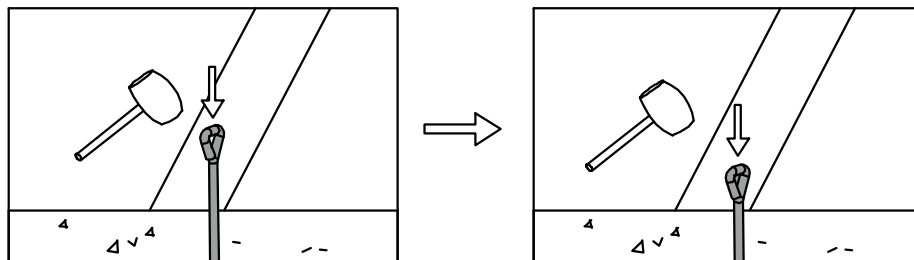
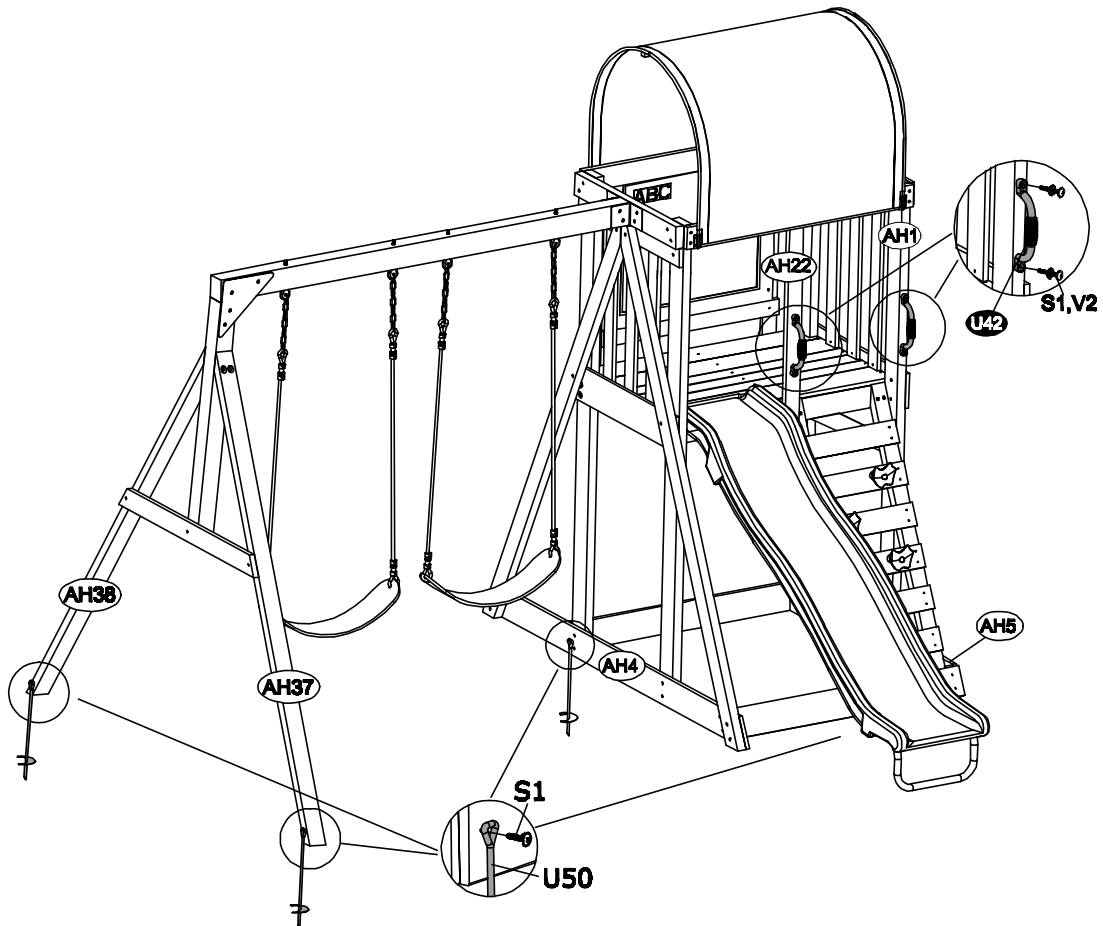


ASSEMBLY AND INSTALLATION INSTRUCTIONS

STEP 17

Part#	Qty	Hardware#	Qty
U42	2 pcs	S1	8 pcs
U50	4 pcs	V2	4 pcs

- Attach U42 to AH1 and AH22, using S1 and V2 (4 sets).
- Hammer U50 into the ground and secure to the playhouse using S1 (4 pcs) in the positions shown.



IMPORTANT:

BEFORE ALLOWING CHILDREN TO PLAY ON THE EQUIPMENT, THE ANCHORS PROVIDED MUST BE INSTALLED. ALSO, PLEASE GO OVER THE ENTIRE UNIT AND MAKE SURE ALL SCREWS ARE TIGHTENED ALL THE WAY AND INSPECT THE ENTIRE UNIT TO ENSURE THE EQUIPMENT IS STABLE AND PROPERLY INSTALLED BEFORE ALLOWING CHILDREN TO PLAY.

PRODUCT WARRANTY

Sportspower Ltd warrants its products to be free from defects in material and workmanship under normal use and service conditions for 270 days after the date of purchase. Extended warranty for an extra 90 days will be offered to those customers registering their products at www.sportspowerltd.net within 14 days from the date of purchase.

All warranty coverage extends only to the original purchaser of the product and is not assignable or transferable. The original store or online purchase receipt must be kept as proof of purchase in order for the warranty to be valid. These documents must be presented in the event of making a claim under warranty.

During the warranty period, Sportspower will provide repair or replacement of defective equipment or parts thereof covered by the warranty. Any handling, transportation, delivery and other incidental charges in respect of the servicing of the equipment shall be borne by the Purchaser. If the product includes a number of accessories, only the defective part or accessory will be replaced.

The warranty will become void if any defects or damages are associated with the use of unauthorized replacement parts. All replacement parts must be obtained from Sportspower authorized agents.

All decisions made by Sportspower in respect of the servicing of the equipment (including repairs, replacements or issues relating to defects of workmanship or materials) shall be conclusive and the Purchaser agrees to be bound by such decisions. Any defective equipment or part thereof replaced shall become the property of Sportspower.

In the event of a product or accessory being replaced during the guarantee, the guarantee on the replacement will expire at the original date, i.e. 180 days from the original purchase date.

This warranty excludes defects caused by the product not being used in accordance with instructions, accidental damage, misuse or being tampered with by unauthorized persons.

The Sportspower Limited Warranty does not cover:

- (a) Products used for commercial or rental purposes.
- (b) Loss or damage to product due to: (i) abuse, repairs and/or tampering by any person other than the authorized personnel of Sportspower; (ii) negligence and/or misuse (including foreign object, accident, improper storage, exposure to sun/moisture, excessive temperature, sand, dust, dirt, other pollution or other environmental conditions and failure to follow precautions or proper operating instructions stated in the User's Manual such as improper installations); (iii) fire, flood, lightning strike, wind storm or other acts of God; (vi) freight or improper transport damages, and (v) improper usage (including use by under-age, over-weight or excessive number of users permitted as stated in the User's Manual).
- (c) Defects, damages or accidents due to the malfunction, connection to or use of non-Sportspower or unauthorized parts. In such event, Sportspower reserves the right to cancel the Limited Warranty coverage immediately.

To the extent allowed by the applicable local law, the remedies in the Limited Warranty are the Purchaser's sole and exclusive remedies.

PRODUCT WARRANTY

SPORTSPOWER IS NOT RESPONSIBLE OR LIABLE FOR INDIRECT, SPECIAL OR CONSEQUENTIAL DAMAGES ARISING OUT OF OR IN CONNECTION WITH THE USE OR PERFORMANCE OF THE PRODUCT OR OTHER DAMAGES WITH RESPECT TO ANY ECONOMIC LOSS, LOSS OF PROPERTY, LOSS OF REVENUE OR PROFITS, LOSS OF ENJOYMENT OR USE, COST OF REMOVAL, INSTALLATION OR OTHER CONSEQUENTIAL DAMAGES. SOME STATES DO NOT ALLOW THE EXCLUSION OR LIMITATION OF INCIDENTAL OR CONSEQUENTIAL DAMAGES. ACCORDINGLY, THE ABOVE LIMITATION MAY NOT APPLY TO YOU.

THE WARRANTY EXTENDED HEREUNDER IS IN LIEU OF ALL OTHER WARRANTIES AND ANY IMPLIED WARRANTY OF MERCHANTABILITY OR FITNESS FOR A PARTICULAR PURPOSE IS LIMITED IN ITS SCOPE AND DURATION TO THE TERMS SET FORTH HEREIN. SOME STATES DO NOT ALLOW LIMITATIONS ON HOW LONG AN IMPLIED WARRANTY LASTS. ACCORDINGLY, THE ABOVE LIMITATION MAY NOT APPLY TO YOU. THIS WARRANTY GIVES YOU SPECIFIC LEGAL RIGHTS. YOU MAY ALSO HAVE OTHER RIGHTS WHICH VARY FROM STATE TO STATE. THIS WARRANTY IS VALID ONLY IN THE UNITED STATES.

PLEASE NOTE: ANY REPAIRS OR REPLACEMENTS MUST BE MADE USING AUTHORIZED SPORTSPOWER PARTS IN ORDER FOR THIS WARRANTY TO BE VALID.

For Customer Service, please call 1-866-370-2131

Monday – Friday 9:00 AM – 5:00 PM Eastern Time

Or email customerservice@sportspowerltd.net

Sportspower Limited

Level 20, Parkview Centre, 7 Lau Li Street, Causeway Bay, Hong Kong

www.sportspowerltd.net

SP-26-WP-866-NA-22001-FIO