

INSTALLATION INSTRUCTIONS

Silhouette SlimLine
Tub/Shower Seat
LIFESTYLE & WELLNESS®

PLEASE READ THESE INSTALLATION INSTRUCTIONS THOROUGHLY PRIOR TO INSTALLING THIS SHOWER SEAT

IMPORTANT: THIS PRODUCT SHOULD ONLY BE INSTALLED BY QUALIFIED AND TRAINED PERSONNEL

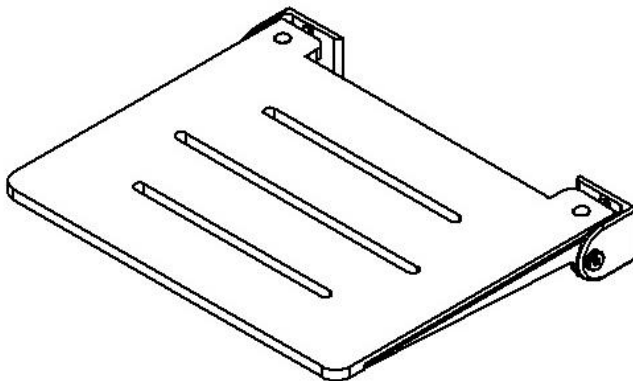
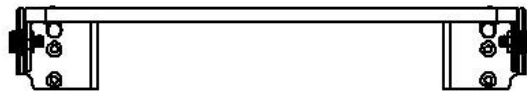
FAILURE TO FOLLOW THESE INSTRUCTIONS COULD LEAD TO IMPROPER INSTALLATION OF THE TUB/SHOWER SEAT, STRUCTURAL AND/OR WATER DAMAGE TO THE WALL AND IN-WALL SUPPORT STRUCTURES, AND/OR SERIOUS BODILY INJURY IN USE. IN ADDITION, ALL WARRANTIES, EXPRESS OR IMPLIED, WILL BE NULL & VOID DUE TO IMPROPER INSTALLATION OF THIS PRODUCT. THE MANUFACTURER DOES NOT ASSUME ANY LIABILITY FOR DAMAGE RESULTING FROM SERVICES PERFORMED BY OTHERS, OR FAULTY INSTALLATION, MISUSE OR MISAPPLICATION OF GOODS.

THIS PRODUCT IS DESIGNED TO MEET OR EXCEED ALL LOAD REQUIREMENTS ESTABLISHED IN THE AMERICANS WITH DISABILITIES (ADA) ACT AND/OR FEDERAL SPECIFICATION WW-P-541/8b AT 250 POUNDS OF FORCE. THE PERFORMANCE OF THIS PRODUCT IS SIGNIFICANTLY IMPACTED BY THE STRENGTH AND CONSTRUCTION OF THE WALL TO WHICH IT IS ATTACHED.

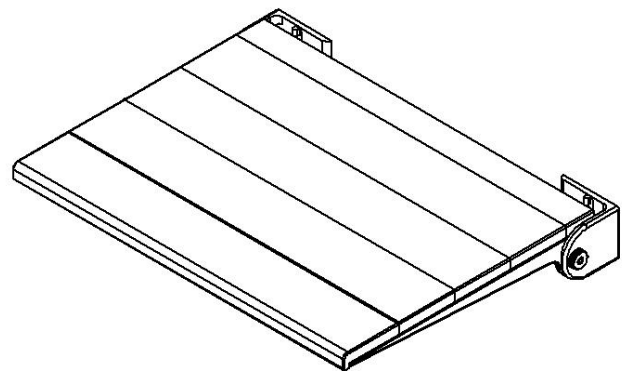
TO ASSURE PROPER AND SAFE INSTALLATION, THIS TUB/SHOWER SEAT MUST BE INSTALLED INTO A MINIMUM 2" THICK, SOLID WOOD, IN-WALL BACKING MATERIAL. MAKE CERTAIN IN-WALL BACKING COMPLIES WITH ALL LOCAL BUILDING CODE REQUIREMENTS.

MAXIMUM WEIGHT CAPACITY FOR THIS PRODUCT SHALL NOT EXCEED 300 LBS. WHEN PROPERLY INSTALLED.

1. Remove the Silhouette SlimLine Tub/Shower Seat from the shipping carton.



SHAFSL-185155-Phenolic Series



SHAFSL-185155-Natural Teak Wood Series

2. Locating the SlimLine Tub/Shower Seat in the desired position for Walk-in Showers and Tub Enclosures.

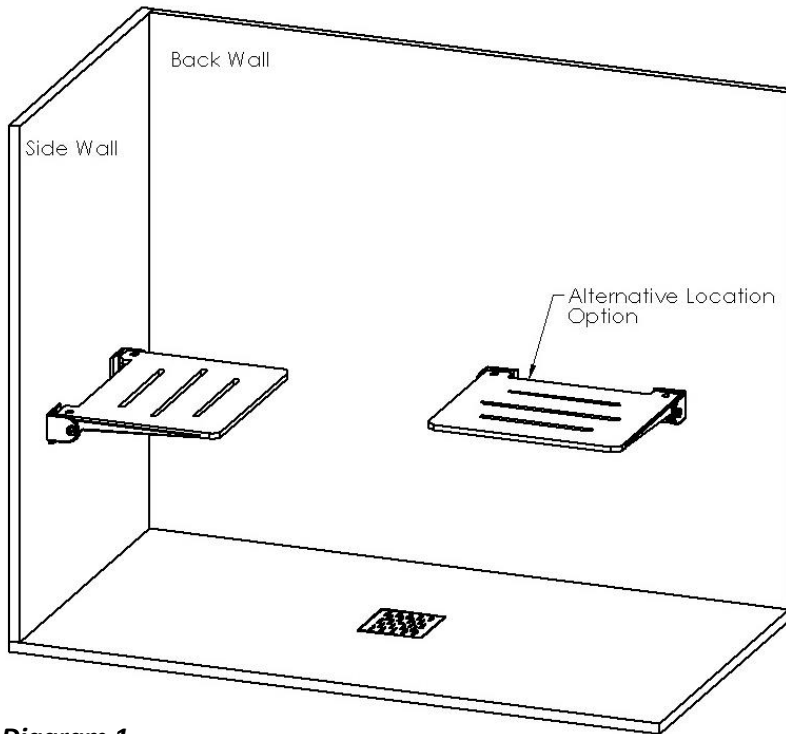


Diagram 1
Walk-in Shower

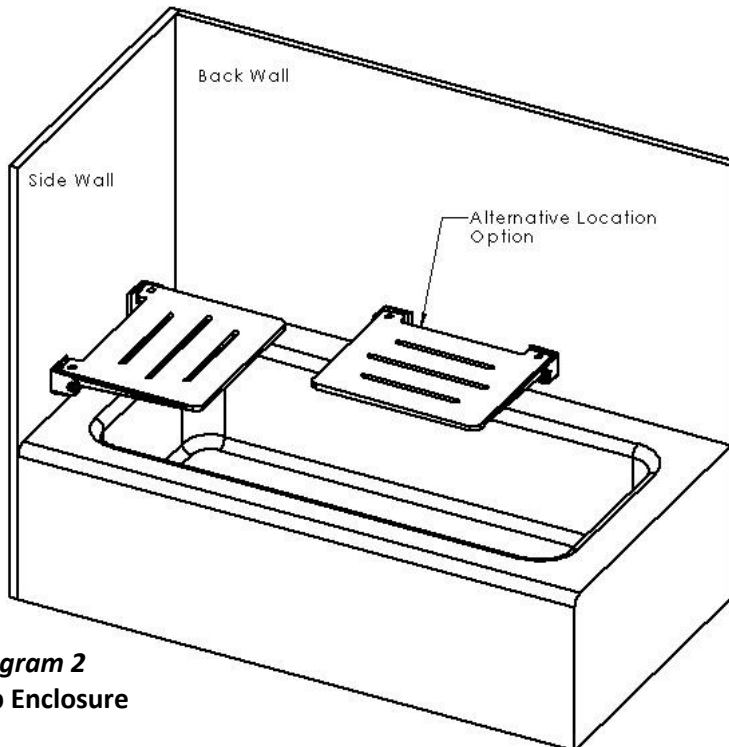


Diagram 2
Tub Enclosure

Remove and open the paper template from the shipping carton.

Locate the area with 2" solid wood in-wall backing. Determine desired seat height (ADA requirements stipulate a seat height of 17" – 19" from the floor). Using the template (supplied by manufacturer), align hole centerlines with the in-wall backing. Using a level (not provided) ensure the "Top of Seat Mounting Bracket" line is level. (See Diagram 4)

Tape the template into position on the mounting surface.

When installing the seat in a tub enclosure, place the tub/shower seat in the open position (as shown in Diagrams 1 & 2) against the template, prior to installation, to ensure the bottom of the seat will clear the tub dam. (See Diagram 2)

Using a pencil or suitable marker, it is ***extremely important*** you mark the center of each of the six (6) mounting holes precisely on the mounting surface. (See Diagram 4)

INSTALLATION INSTRUCTIONS

Silhouette SlimLine
Tub/Shower Seat
LIFESTYLE & WELLNESS®

Proceed cautiously through the following steps in this installation process to avoid drilling into in-wall water supply lines.

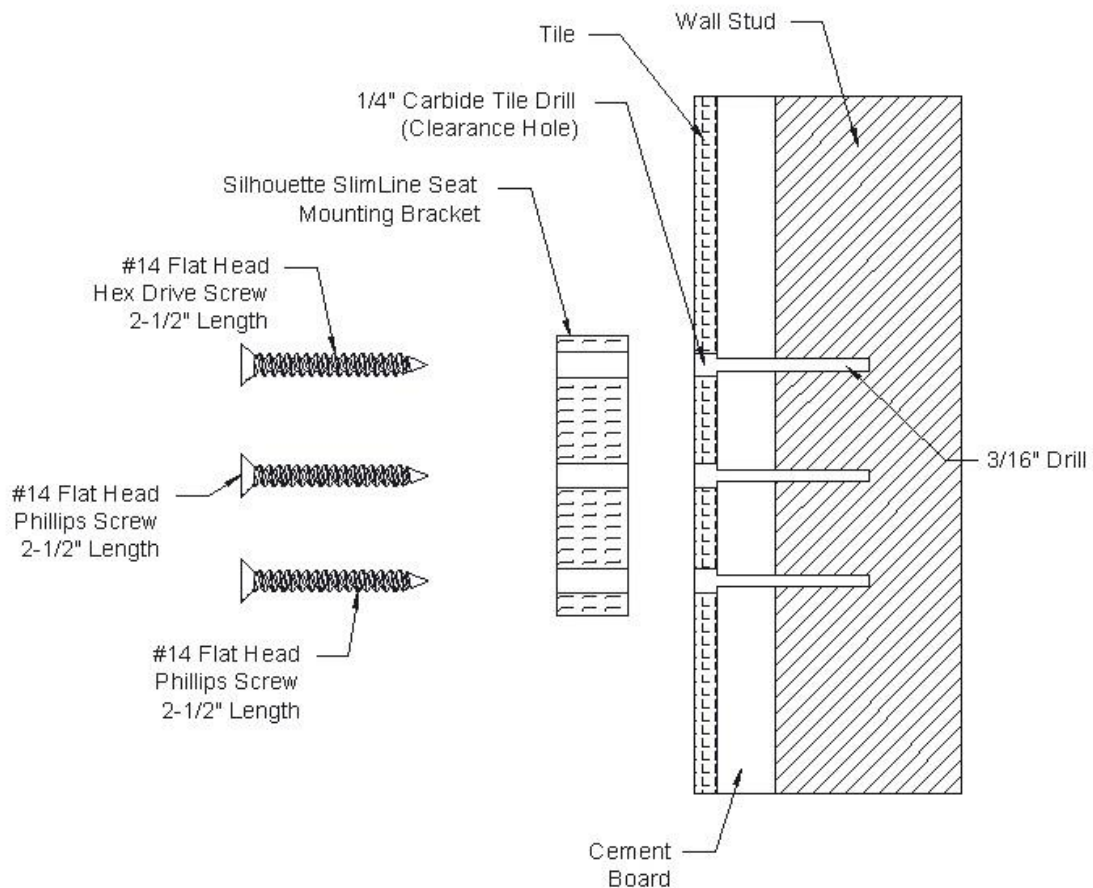
3. Mounting the Silhouette SlimLine Tub/Shower Seat in Tiled Wall Enclosure.

All mounting points must fasten into structural wood backing, minimum 2" thickness.

Avoid electrical and/or plumbing behind the wall, and where possible drill through tile – not through grout.

Step #1

Drill through the **tile only** with a 1/4" Carbide tile drill bit (not provided) at the six (6) locations marked on the wall to create clearance holes, leaving a center point mark in the cement board backing to use as a guide for Step #2.



Step #2

Use a power drill with a 3/16" Standard drill bit (not provided) and drill into the 2" thick solid wood backing in the wall, using the center point guide marks created in Step #1. Fill the clearance holes on the mounting surface with silicone to ensure a water-tight seal will be created at all mounting locations.

Step #3

Secure the Seat Mounting Bracket to the wall starting with the (2) #14 Flat Head Hex Drive screws (supplied by manufacturer) and Hole #1 (Key-Hole), as shown in Diagram 3.

Screw the (2) #14 Flat Head Hex Drive screws into 2" Solid Wood In-Wall Backing in Hole #1 (Key-Hole) for both Seat Mounting Brackets, leaving @ 5/16" gap between the wall and the head of screw.

Place both Seat Mounting Brackets on the installed hardware thru the Key-Hole slots and allow the seat to drop into place.

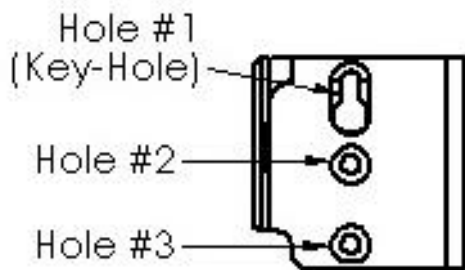
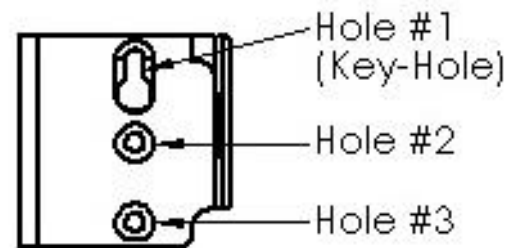


Diagram 3



The holes on the mounting surface created in Step #2 should now line up with Holes #2 and #3 on the Seat Mounting Brackets.

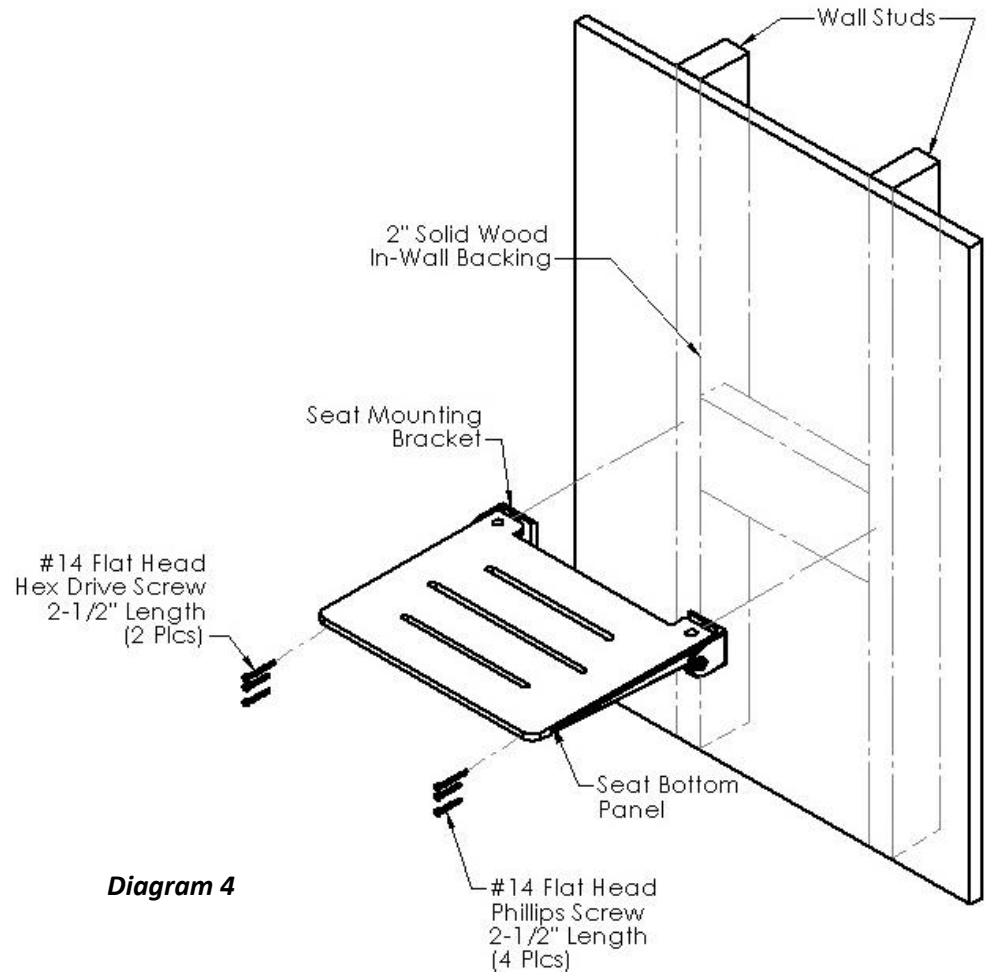
Step #4

Using the (4) #14 Flat Head Phillips sheet metal screws (supplied by manufacturer), screw hardware into Holes #2 & #3, as shown in Diagram 3.

Once all four (4) screws are in place, tighten all (4) screws.

Step #5

Tilt the Seat Bottom Panel at an approximate 45° angle to tighten the (2) #14 Flat Head Hex Drive screws located in Hole #1 (Key-Hole) on both Seat Mounting Brackets from the top of the seat, using the L-Shaped Hex Drive Key (supplied by manufacturer).



NOTE:

The Seat Bottom Panel is attached to the aluminum frame at the factory using high-strength VHB tape.

Do **NOT** attempt to remove the Seat Bottom Panel from the seat frame as it may cause severe damage to the seat.

To ensure proper and safe installation, the Silhouette SlimLine seat should not shift in any direction on the mounting surface.

Hardware Provided: (4) #14 Flat Head Phillips sheet metal screws 2-1/2" length
(2) #14 Flat Head Hex Drive sheet metal screws 2-1/2" length

Tools Provided: Hex L-Key with Standard Tip

Tools Required: Marking pencil/pen, level, masking tape, power drill, 1/4" Carbide tile drill bits, 3/16" Standard drill bit, #3 phillips driver, silicone.

THIS COMPLETES THE INSTALLATION OF THE SILHOUETTE SLIMLINE TUB/SHOWER SEAT