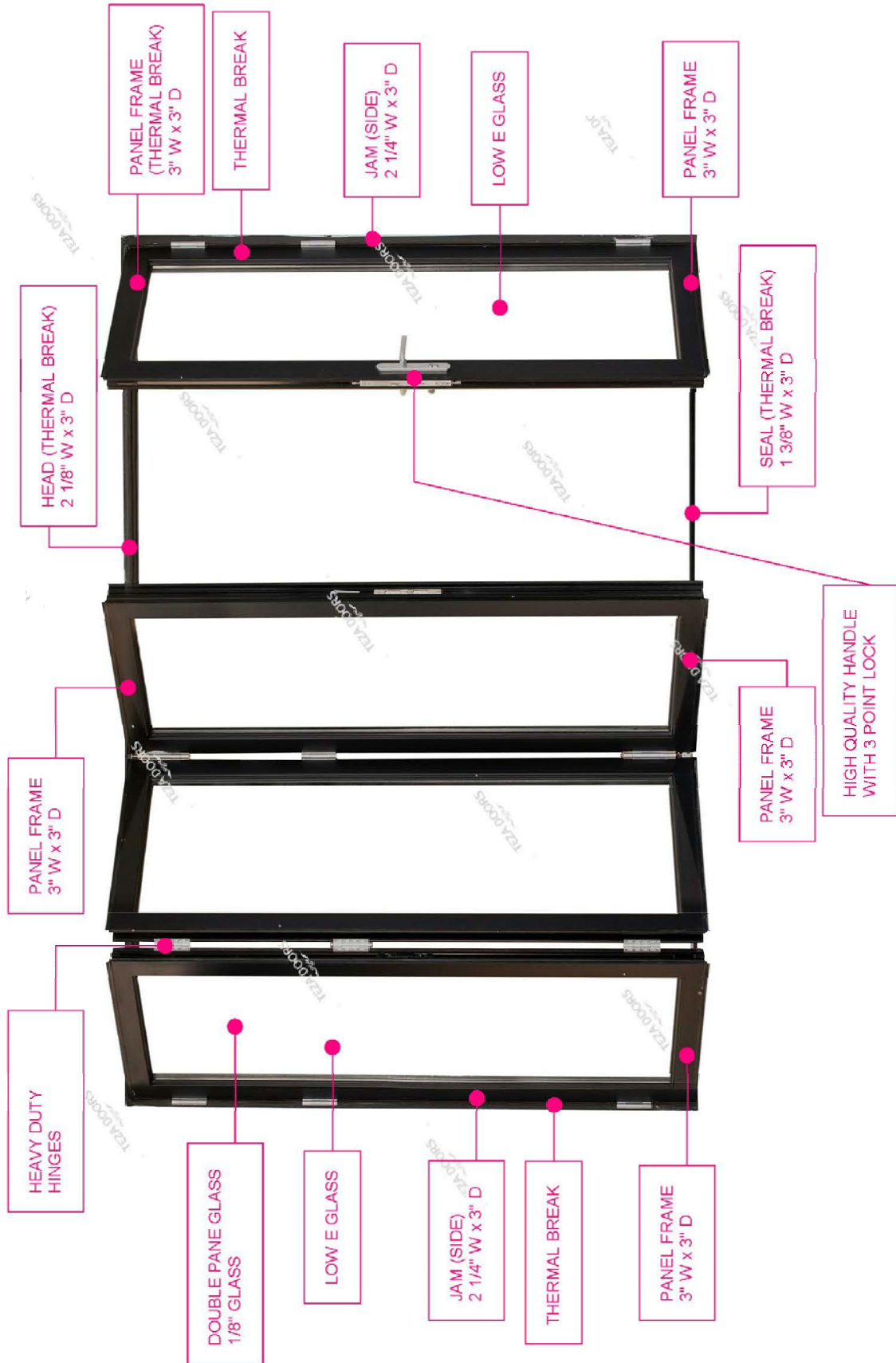


Teza Doors

Teza 75 & 70 Series
Aluminum Bi-Fold Door
Installation Guide



Before Installation:

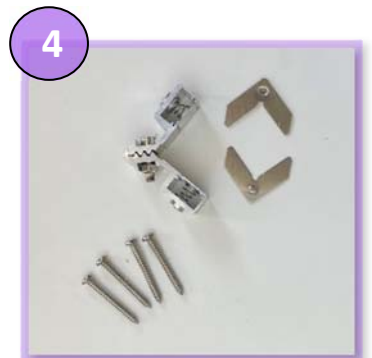
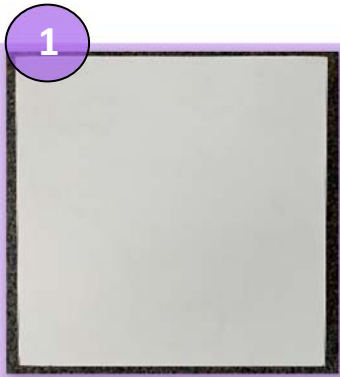
Please be sure to secure an additional ¼ in. space on each side including both top and bottom of frame.

Make sure all sides and floor are level.

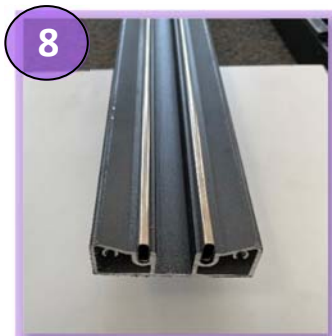
(If not level it will cause issues with opening and closing the doors as well as locking the door)

Materials

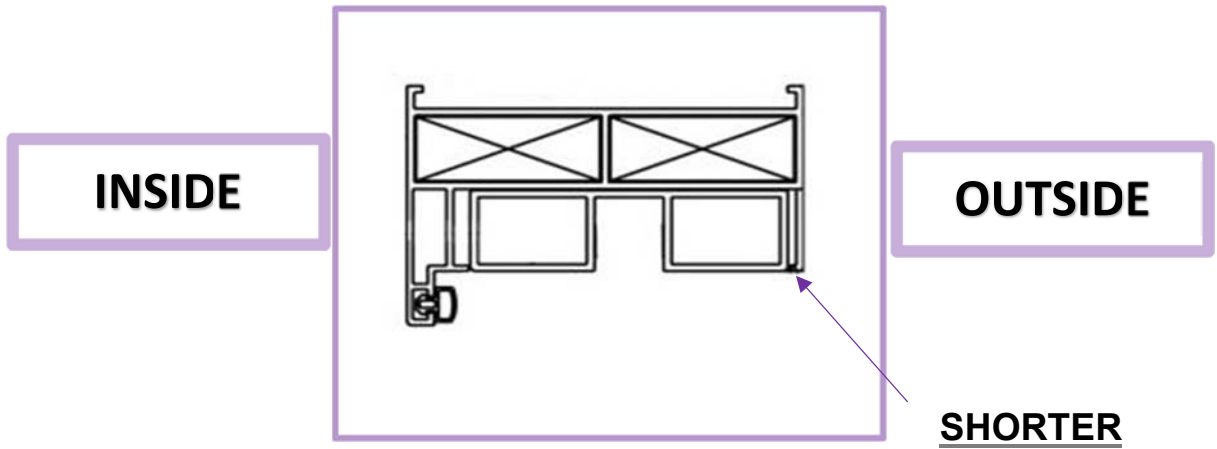
(Changes depending on number of panels)



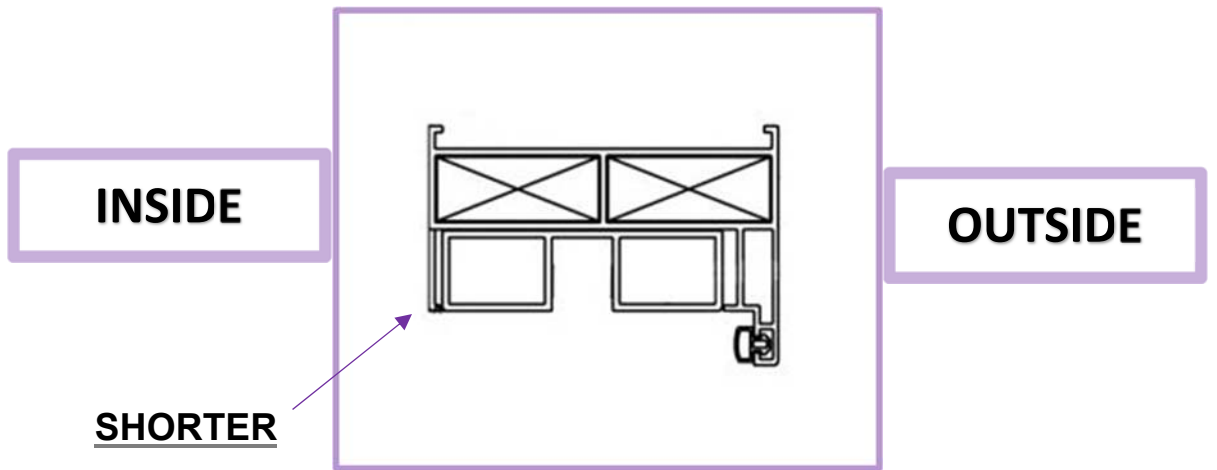
Silver or
Black



FRAME DIRECTION FOR INSWING AND OUTSWING

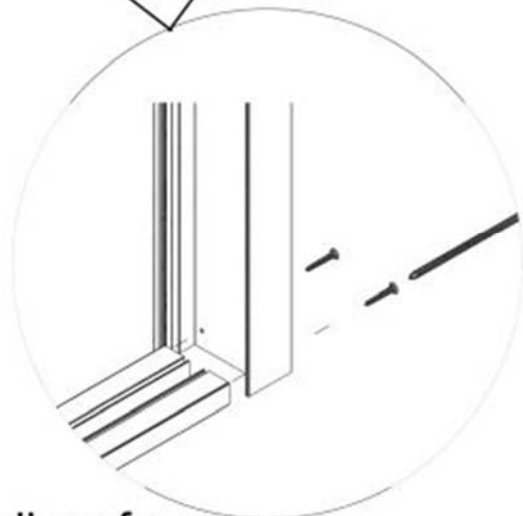
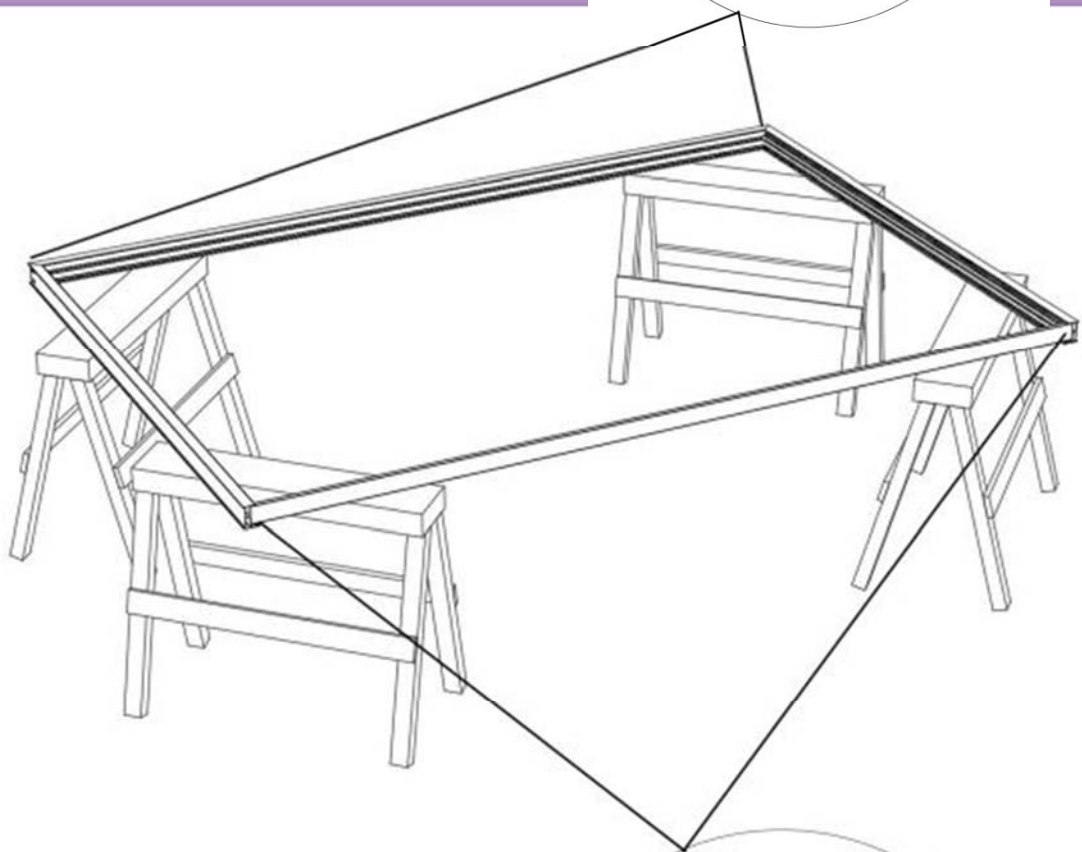
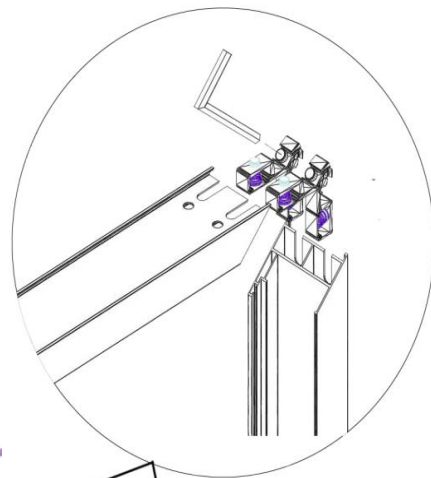


IF YOUR DOOR IS OUTSWING, SHORTER SIDE OF FRAME WILL BE OUTSIDE OF HOUSE



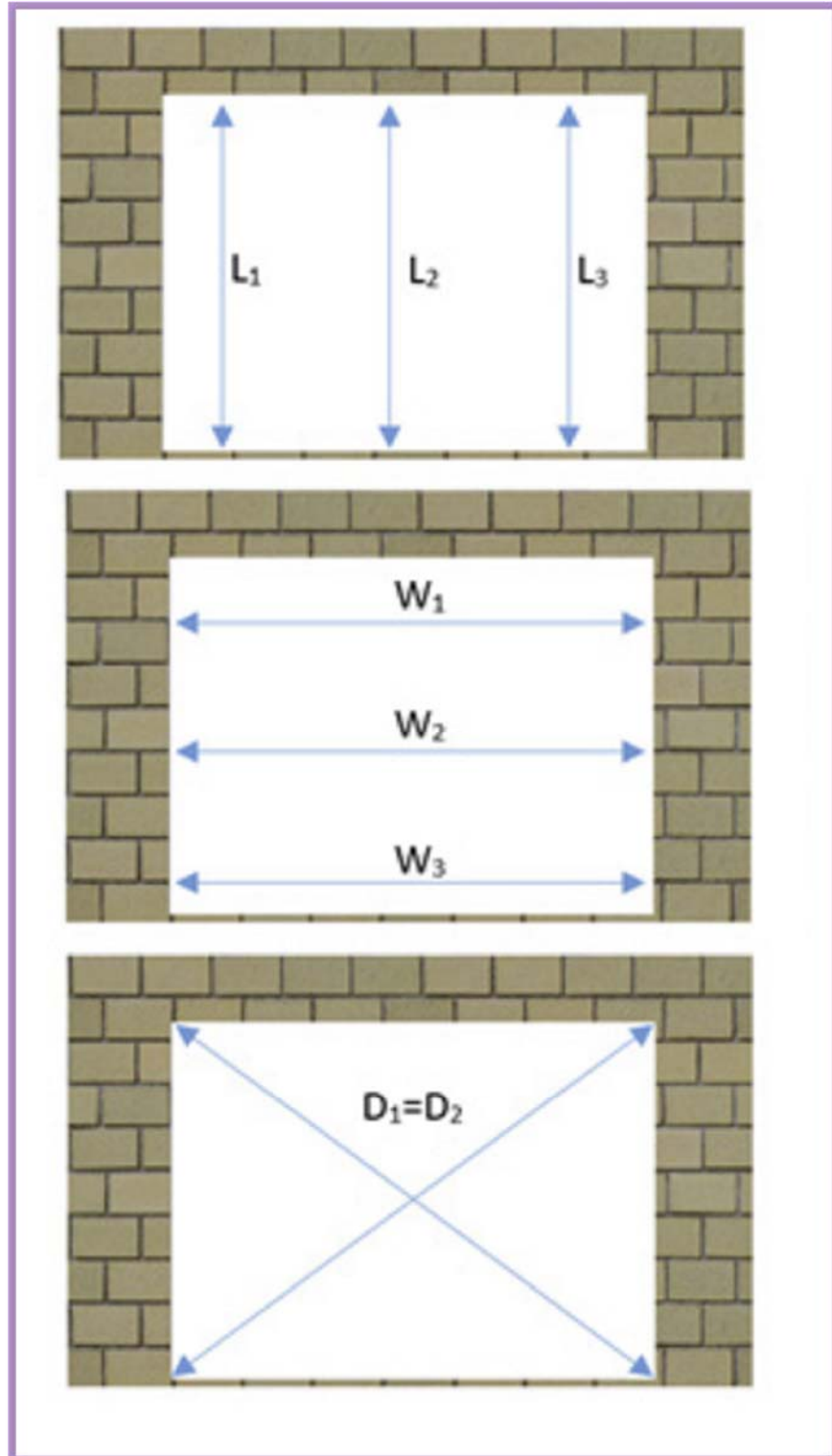
IF YOUR DOOR IS INSWING, SHORTER SIDE OF FRAME WILL BE INSIDE OF HOUSE

FRAME ASSEMBLY



Being Careful to protect all surfaces

How to make The Rough opening on the wall



MEASURE $L_1=L_2=L_3$, $W_1=W_2=W_3$, $D_1=D_2$

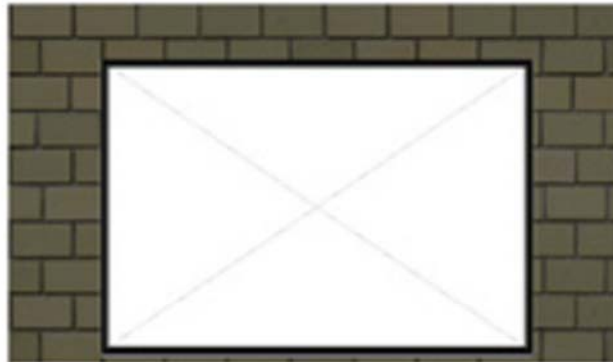
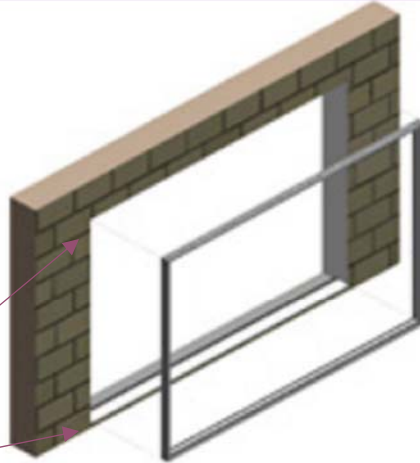
Frame Installation

Before Installation:

Please be sure to secure an additional ¼ in. space on each side including both top and bottom of frame.

Make sure all sides and floor are level.
(If not level it will cause issues with opening and closing the doors as well as locking the door)

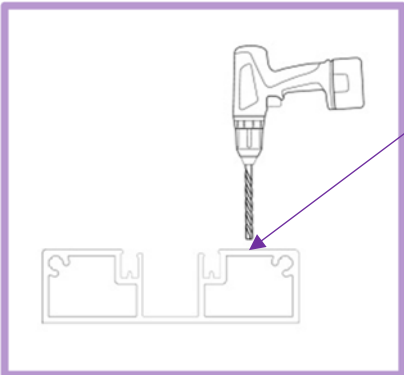
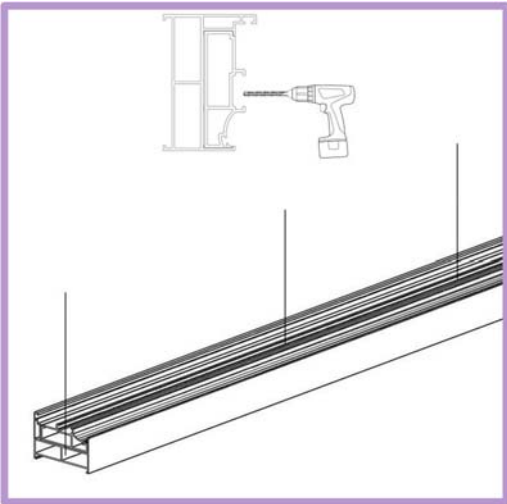
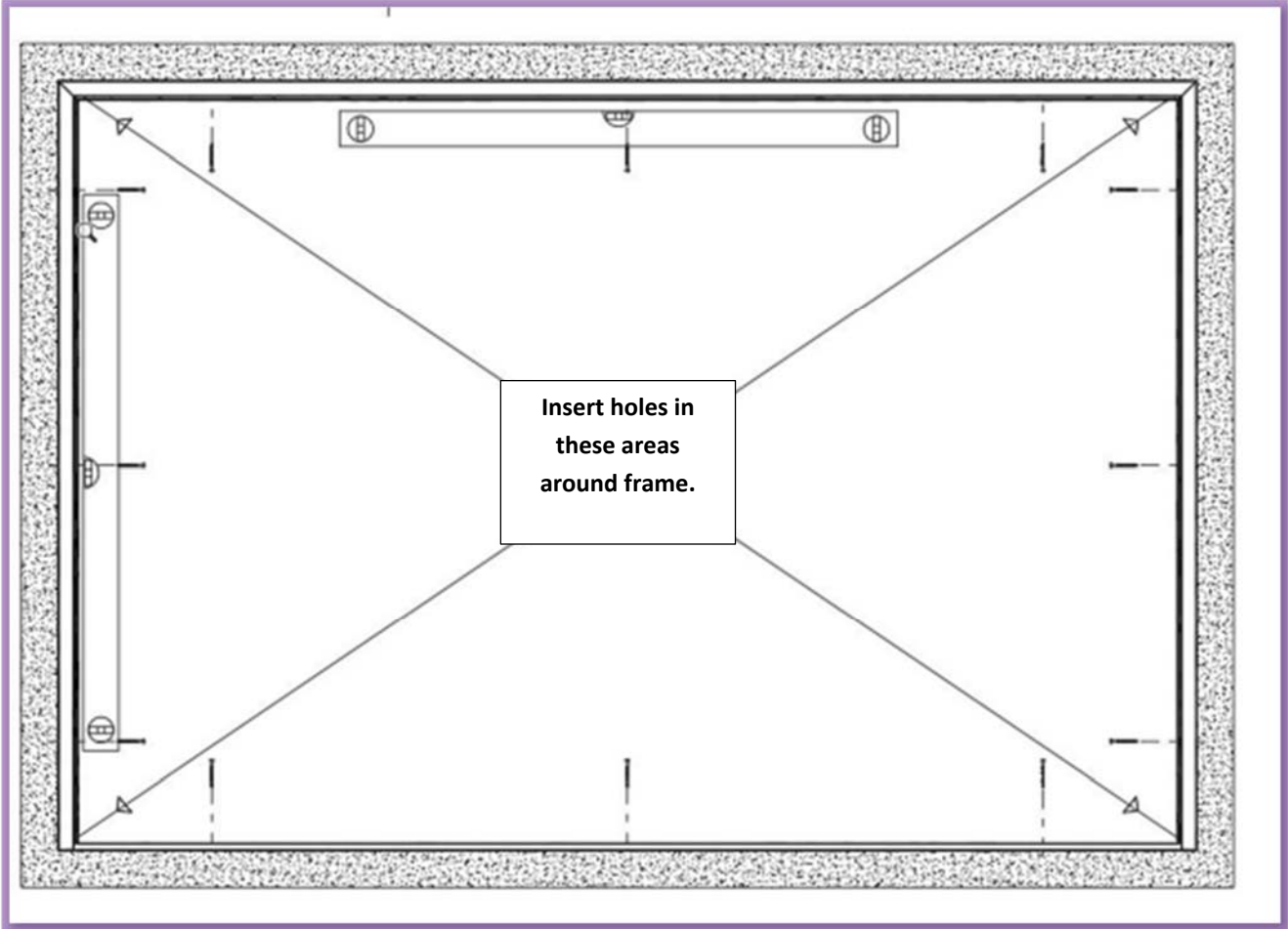
For Rough opening Secure ¼ in. space on all sides.



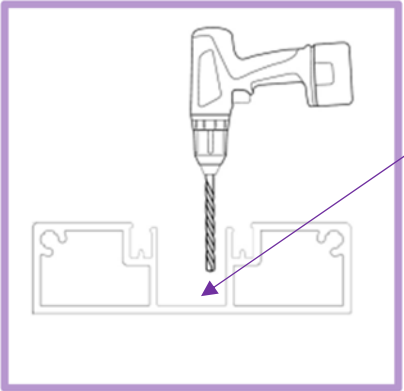
Use a Leveler to make sure all sides are level.



Frame Installation continued:

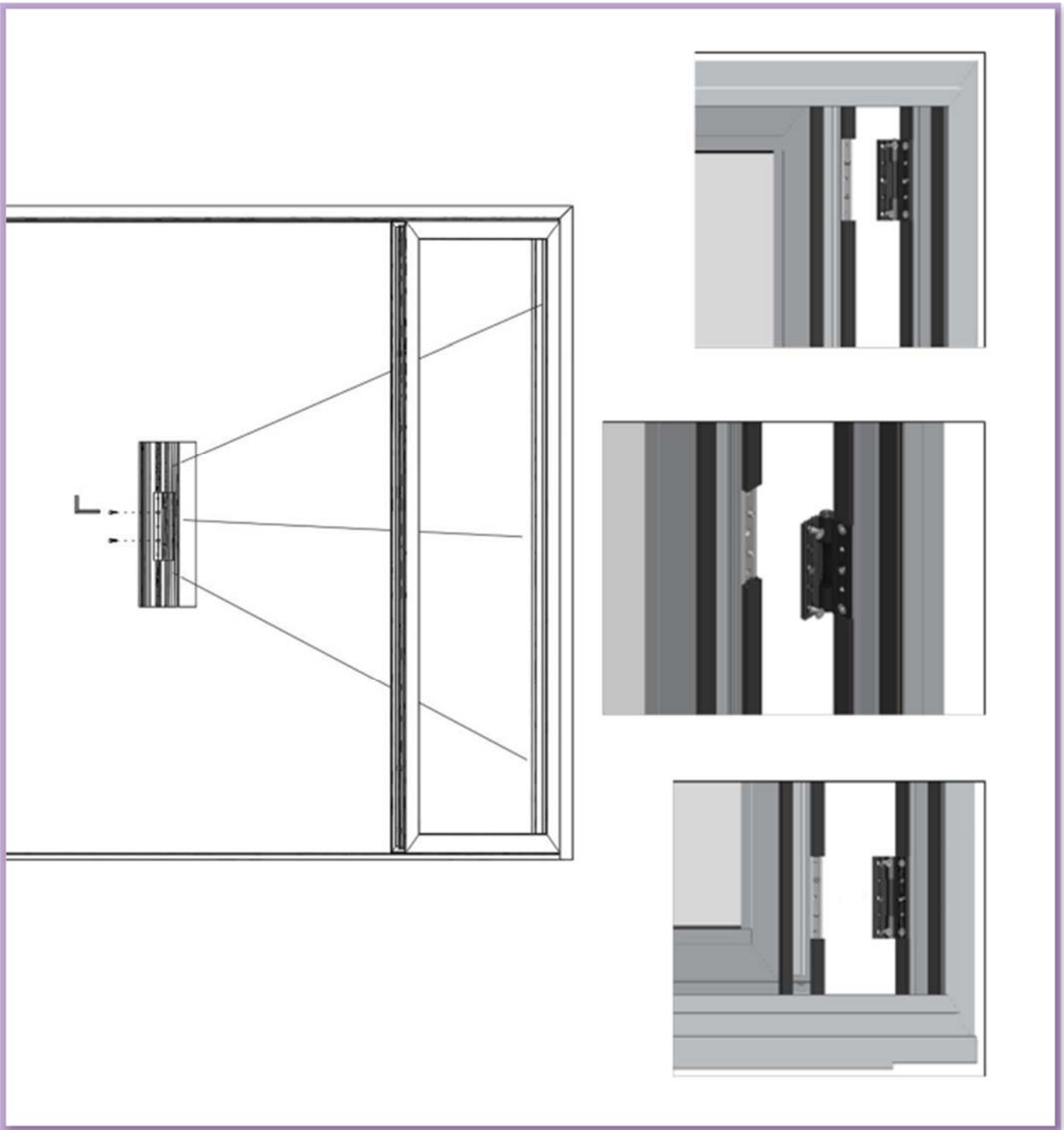


THERMAL BREAK FRAME
See Picture for reference for Thermal Break Frame holes.

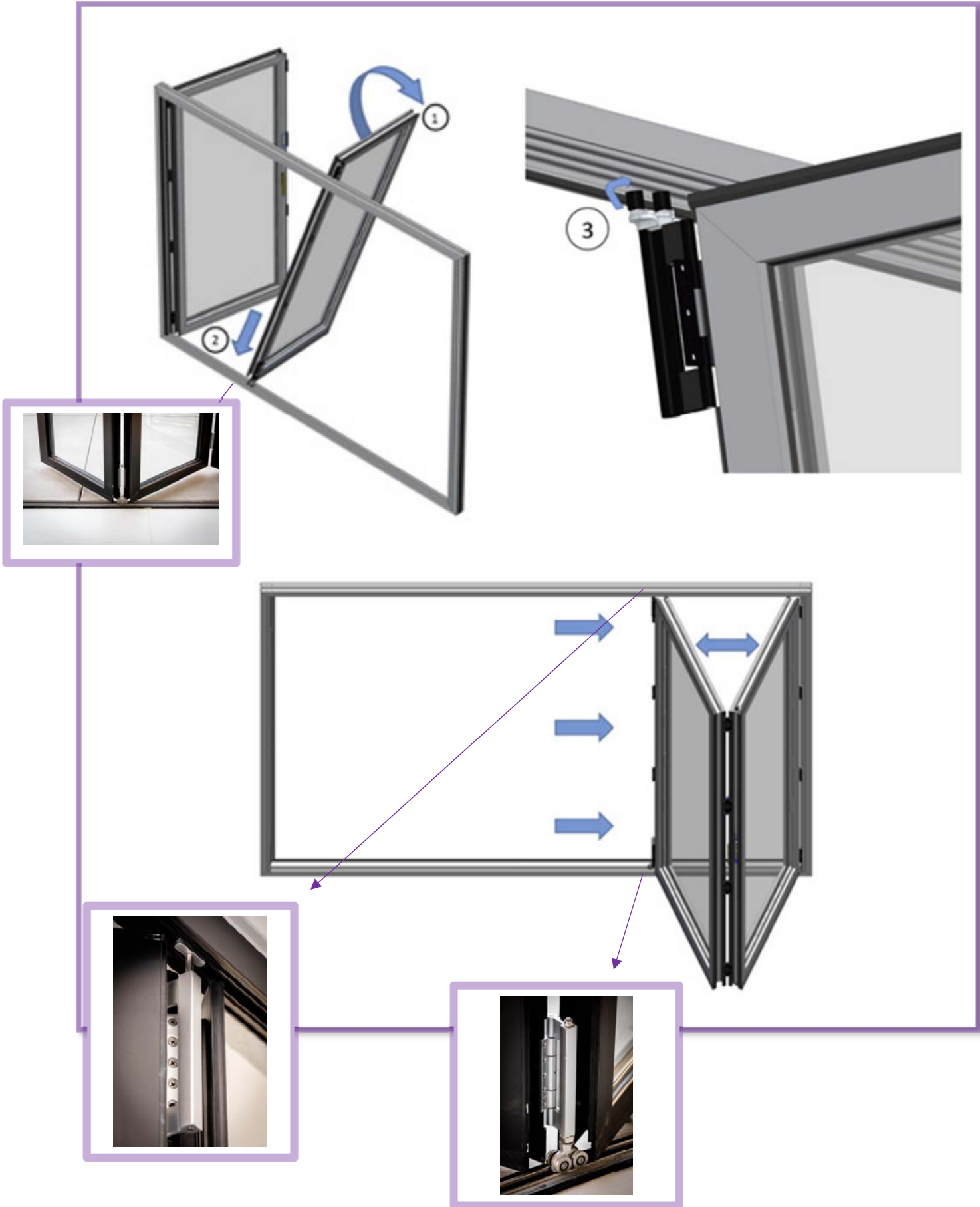


NON-THERMAL BREAK FRAME
See Picture for reference for NON-Thermal Break Frame holes.

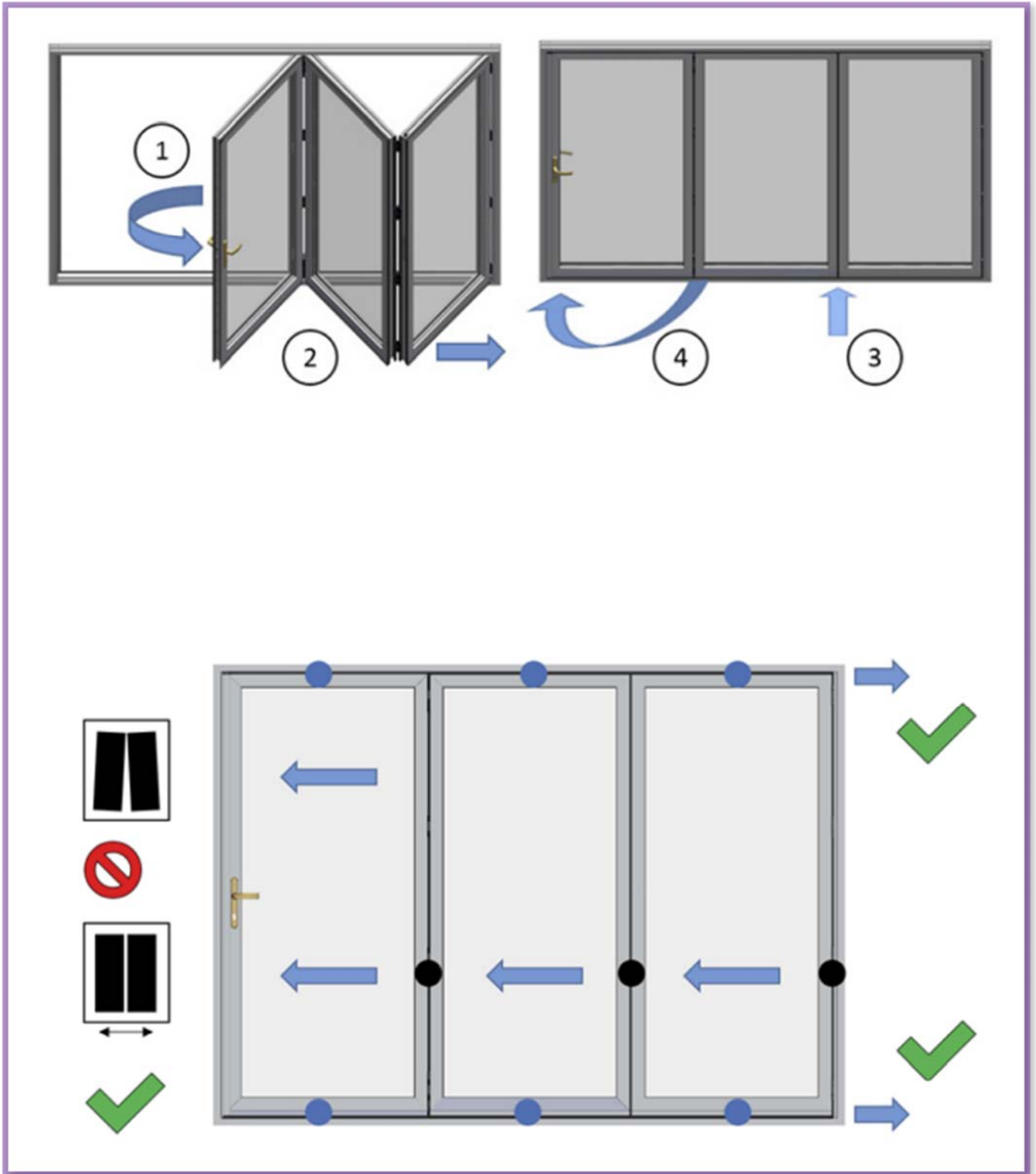
Install The Panels



Install The Panels

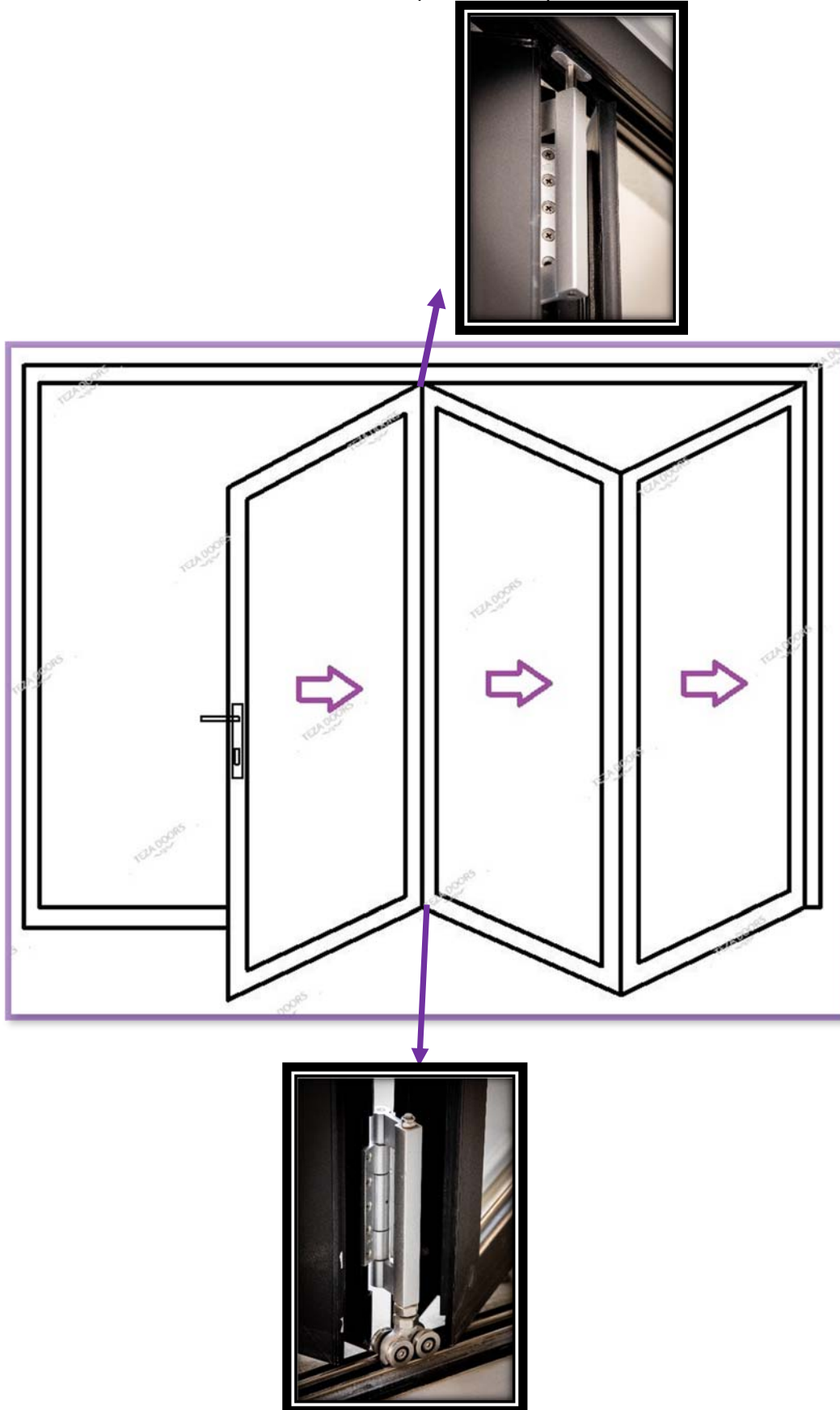


Install The Panels



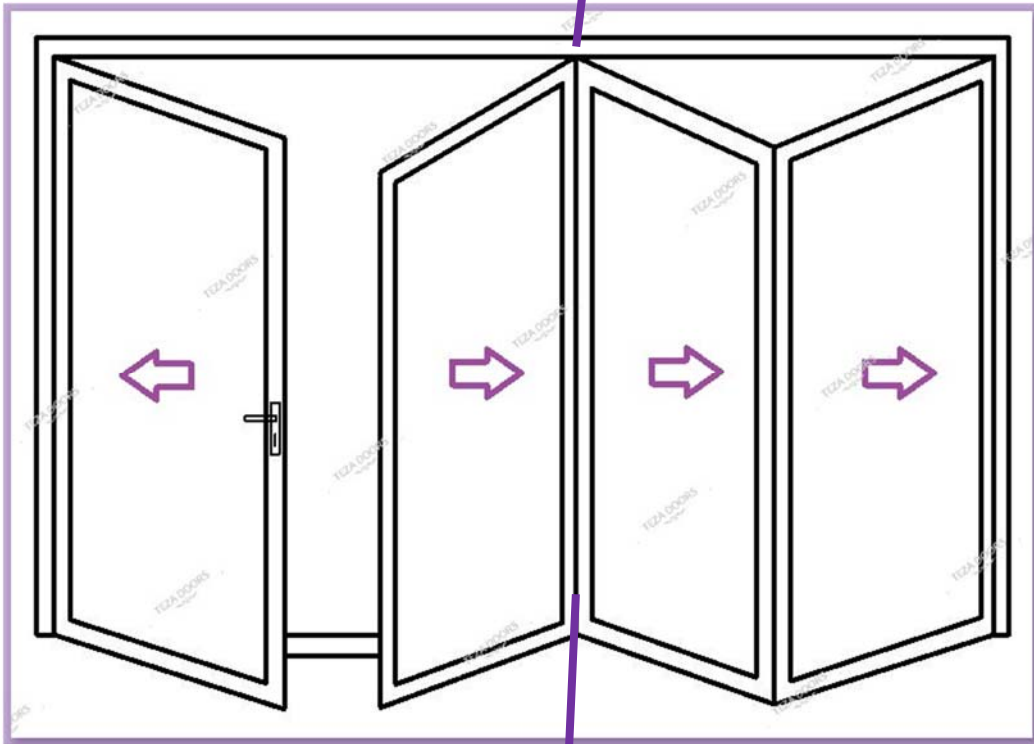
Teza Bi-Fold Door with 3 Panels

The top roller and bottom roller will be between panel 2 and panel 3



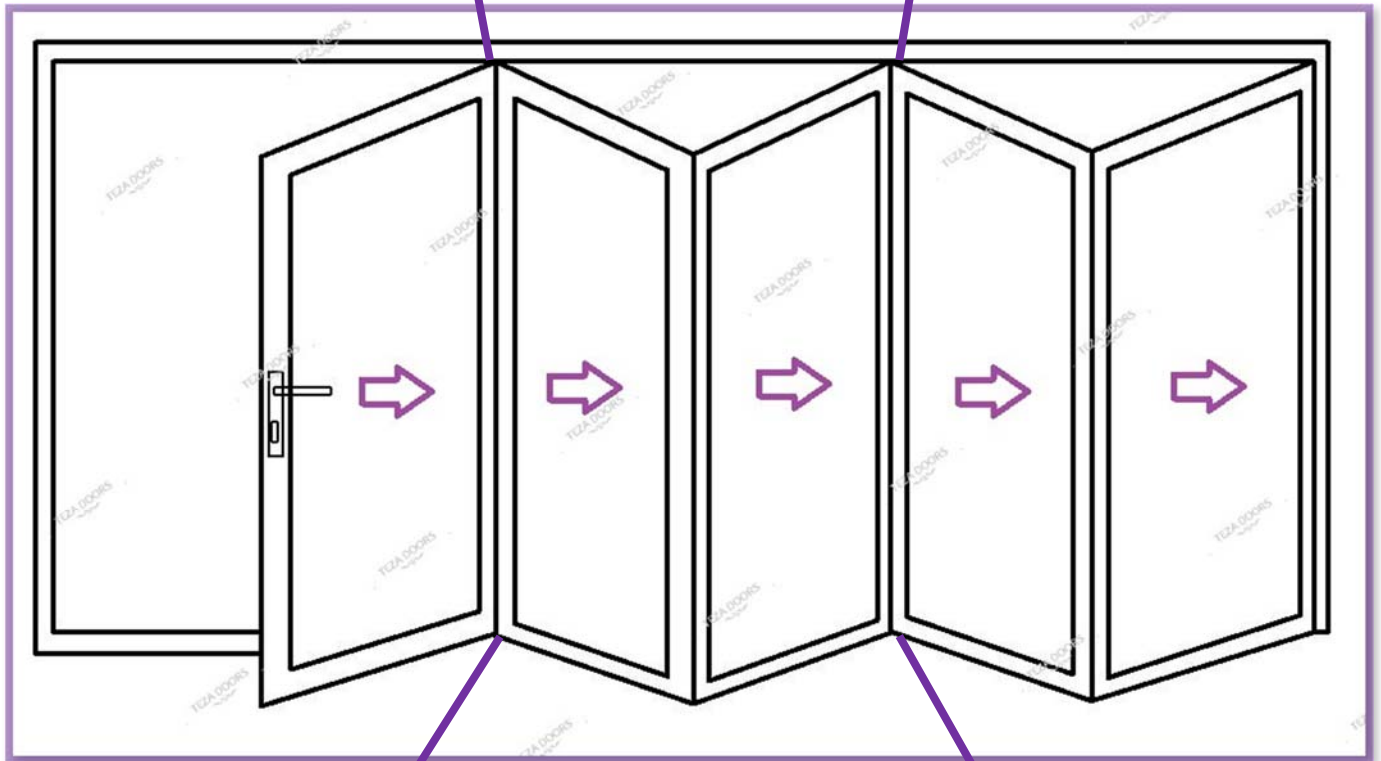
Teza Bi-Fold Door with 4 Panels

The top roller and bottom roller will be between panel 2 and panel 3

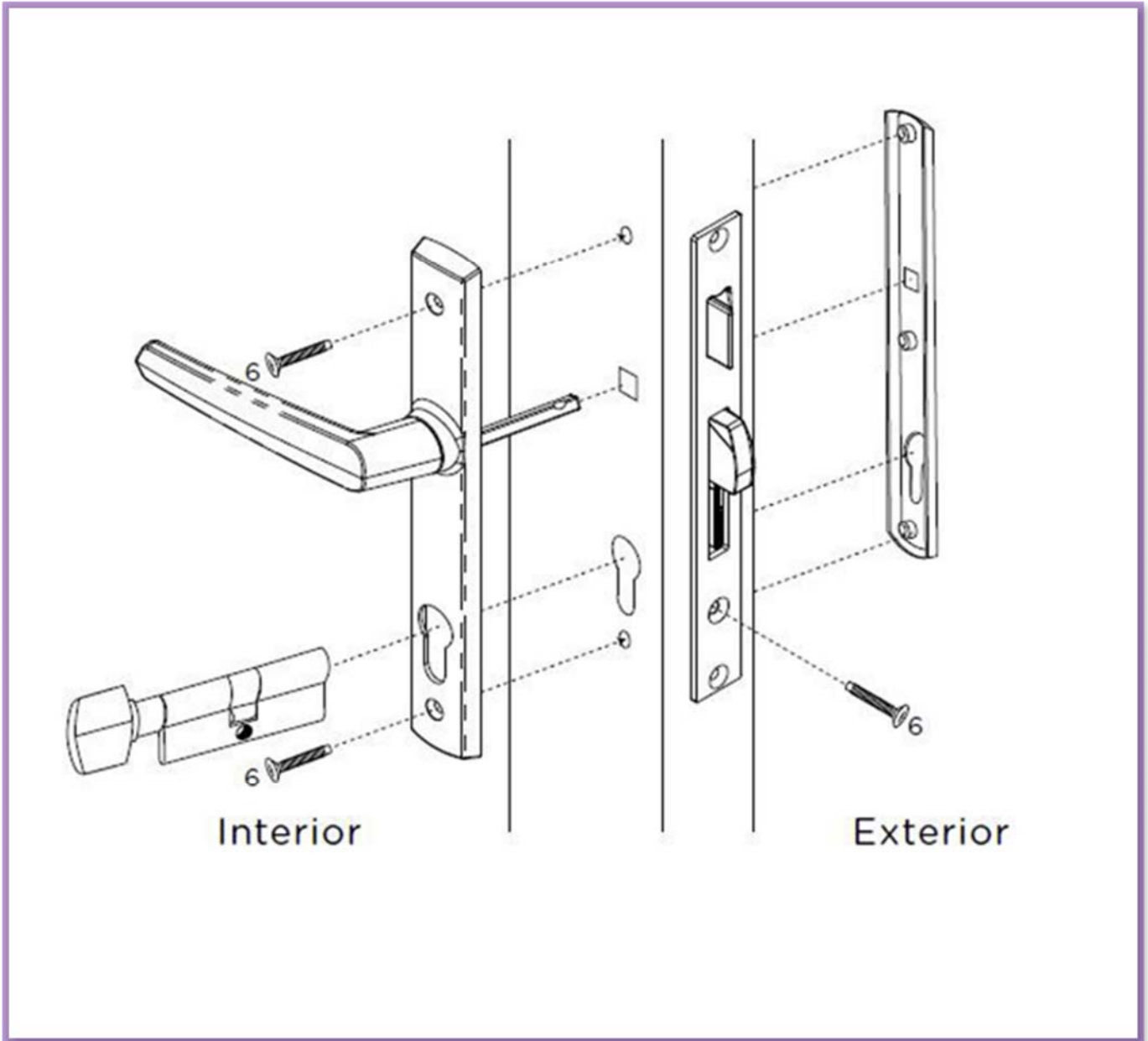


Teza Bi-Fold Door with 5 Panels

The top roller and bottom roller will be between panel 2 & panel 3 - panel 4 & panel 5



Install The Lock



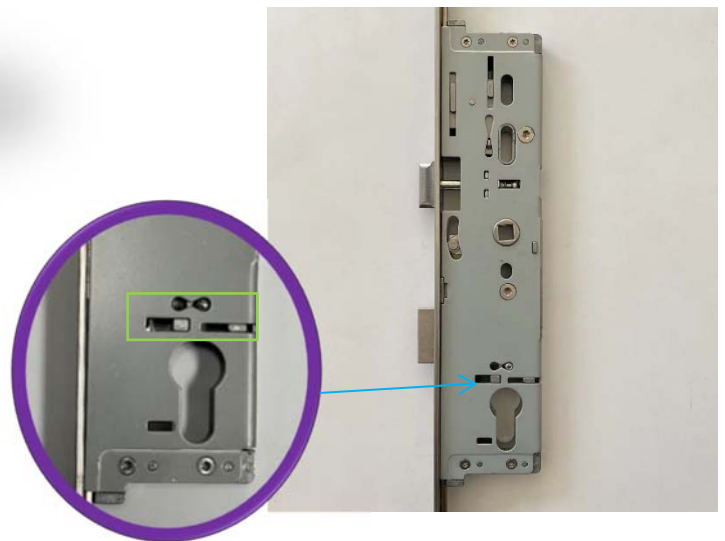
Hints: How to raise or lower the panels:

To **raise** the panels, loosen the top screw and fasten the lower screw.

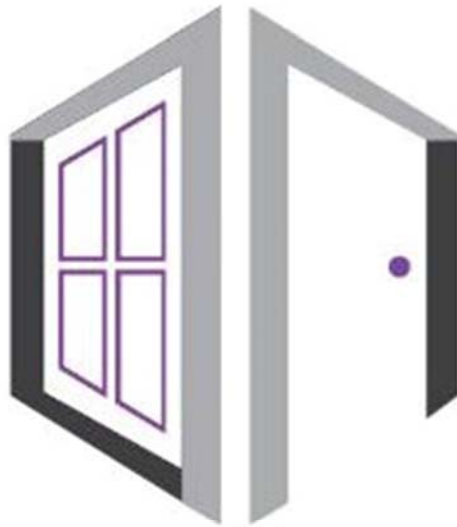
To **lower** the panels, fasten the top screw and loosen the lower screw.



How to fix lock if doesn't turn all the way:



Make Sure, the little switch is all the way to the right or the left side. (By using screw driver move little switch to left and right side)



Teza Doors

Contact Information:

Address:

20115 Nordhoff st. Chatsworth, CA 91311

Phone: (818) 818-6001

Email: Sales@Tezadoors.com