

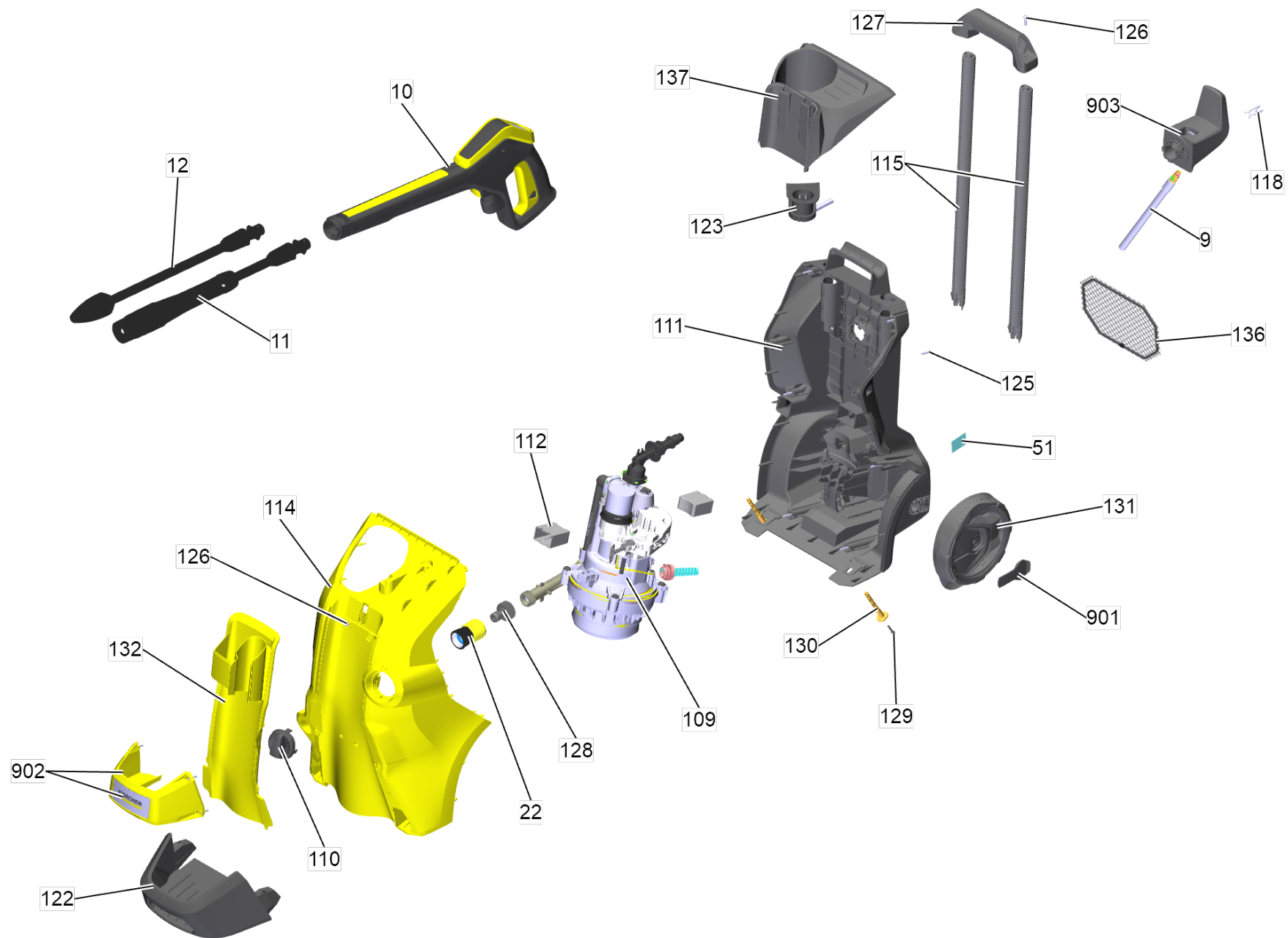
## **Spare parts list**

(1.324-045.0) K 4 Power Control \*KNA

## Table of contents

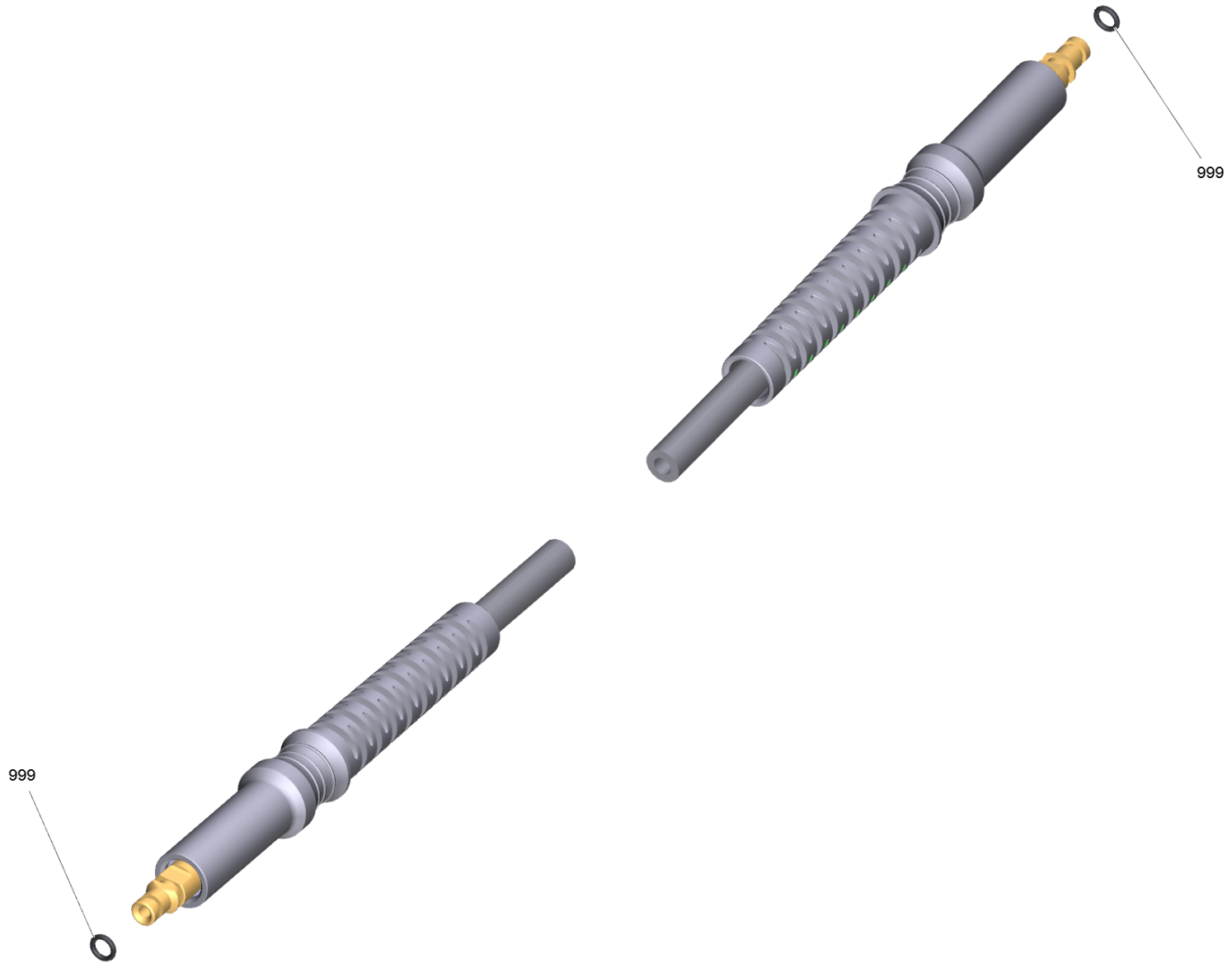
---

K 4 Power Control *KNA (1.324-045.0)	3
9 H 9 Q high pressure hose Quick Connect (2.641-721.0)	5
10 G 160 Q pistol (2.644-327.0)	7
11 VPS middle FC 0205 MS (4.760-786.3)	9
12 Dirt blaster middle FC 0225 ST (4.764-366.3)	11
109 Pump set complete K4 PC *KNA	13
110 Thrust guidance complete (9.013-340.0)	15
120 Pump WCM plastic (HR) new	17
1 Head end WCM c/guarnizioni Tuico (9.002-552.0)	19
2 pressure piston HR (spare) (9.002-028.0)	21
130 Engine complete for replacement (4.100-752.0)	23
10 Motor complete K5 FC Plus	25
140 Suction connection complete FC (9.013-345.0)	27
150 High-pressure outlet K4 NCR (9.013-623.3)	29
160 High-pressure outlet inside complete K4 (9.013-355.0)	31
170 Electric box complete K4 PC KNA (9.013-830.3)	33
131 Wheel in pairs FC 1K D160 (9.002-438.0)	35
903 Spare parts set pedestal rear FC ALU (4.100-775.0)	37



K 4 Power Control \*KNA (1.324-045.0)

POS	Article no.	Description	Quantity	Unit
9	2.641-721.0	H 9 Q high pressure hose Quick Connect	1	PC
10	2.644-327.0	G 160 Q pistol	1	PC
11	4.760-786.3	VPS middle FC 0205 MS	1	PC
12	4.764-366.3	Dirt blaster middle FC 0225 ST	1	PC
22	4.645-365.0	Coupler with label complete	1	PC
109		Pump set complete K4 PC *KNA	1	PC
110	9.037-693.0	Handhold switch	1	PC
111	9.002-436.0	Spare parts set housing rear	1	PC
112	9.038-456.0	Chassis support FC	2	PC
114	9.038-659.3	Housing Front K4-K5 SCR	1	PC
115	9.002-448.0	Telescopic handle ALU bar FC kpl	2	PC
118	9.039-336.0	Clamp	1	PC
122	9.038-661.3	Bumper K4-K5 PC	1	PC
123	9.013-417.0	RM retainer station compl. FC	1	PC
125	9.086-221.0	Screw ATF 4.1x22	8	PC
126	7.303-026.0	Screw 4x16 -A2-70 (In6Rd)	10	PC
127	9.002-447.0	Spare part Handle FC packed	1	PC
128	6.465-031.0	Connection 3/4	1	PC
129	9.086-203.0	Screw 4x22	2	PC
130	5.317-896.0	Bolt stand foot	2	PC
131	9.002-438.0	Wheel in pairs FC 1K D160	1	PC
132	9.038-665.3	Holder Gun	1	PC
136	9.002-435.0	Accessory net	1	PC
137	9.038-677.3	Covering cap above FC**	1	PC
901	9.038-445.0	Black cover FC 1K wheel D160	2	PC
902	4.100-815.0	Spare parts set support logo K4	1	PC
903	4.100-775.0	Spare parts set pedestal rear FC ALU	1	PC



9 H 9 Q high pressure hose Quick Connect (2.641-721.0)

---

<b>POS</b>	<b>Article no.</b>	<b>Description</b>	<b>Quantity</b>	<b>Unit</b>
999	2.640-729.0	O-Ring seal set	1	PC



10 G 160 Q pistol (2.644-327.0)

---

<b>POS</b>	<b>Article no.</b>	<b>Description</b>	<b>Quantity</b>	<b>Unit</b>
6	5.332-464.0	Pressure spring	1	PC





11 VPS middle FC 0205 MS (4.760-786.3)

---

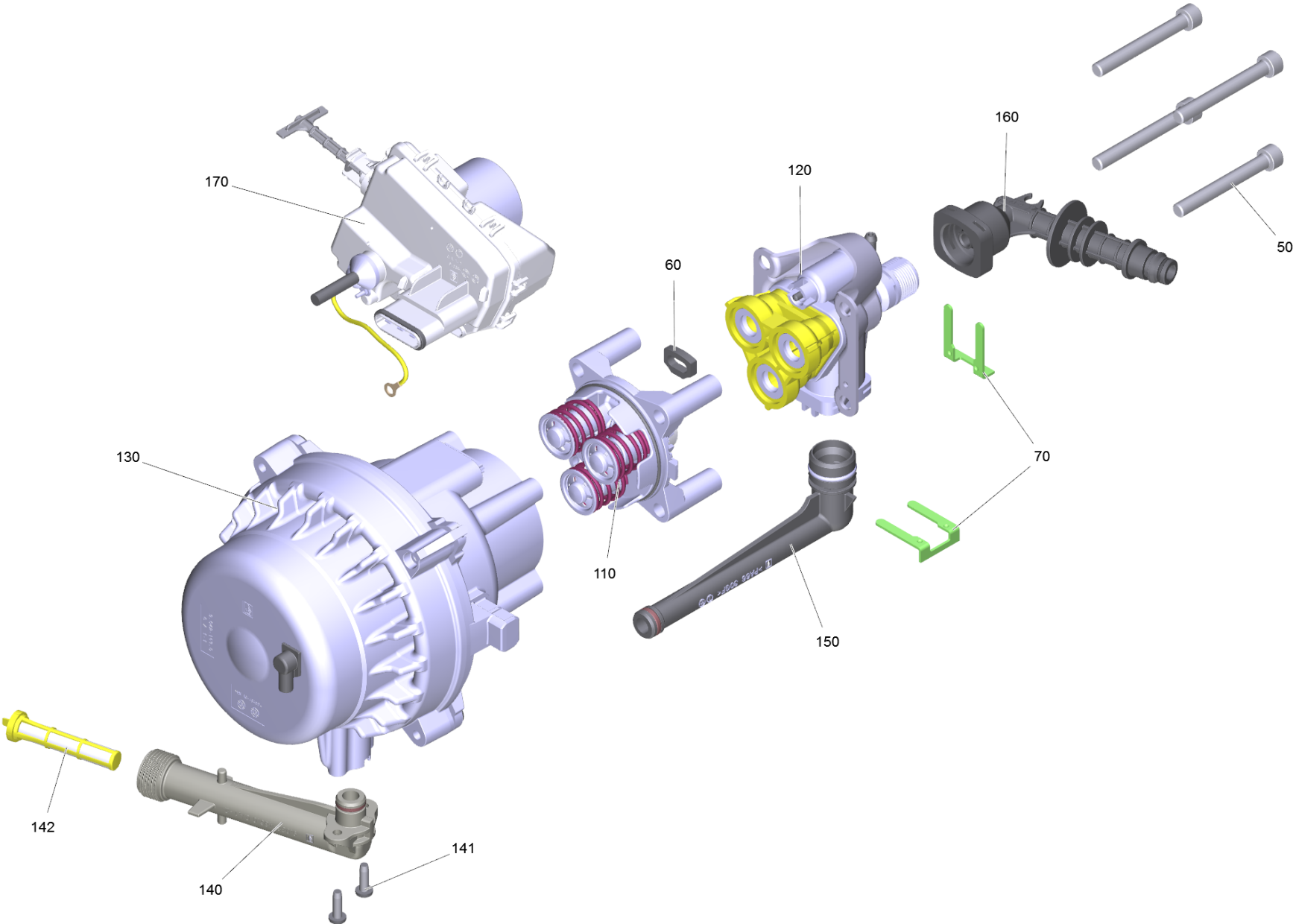
<b>POS</b>	<b>Article no.</b>	<b>Description</b>	<b>Quantity</b>	<b>Unit</b>
901	2.640-729.0	O-Ring seal set	1	PC



12 Dirt blaster middle FC 0225 ST (4.764-366.3)

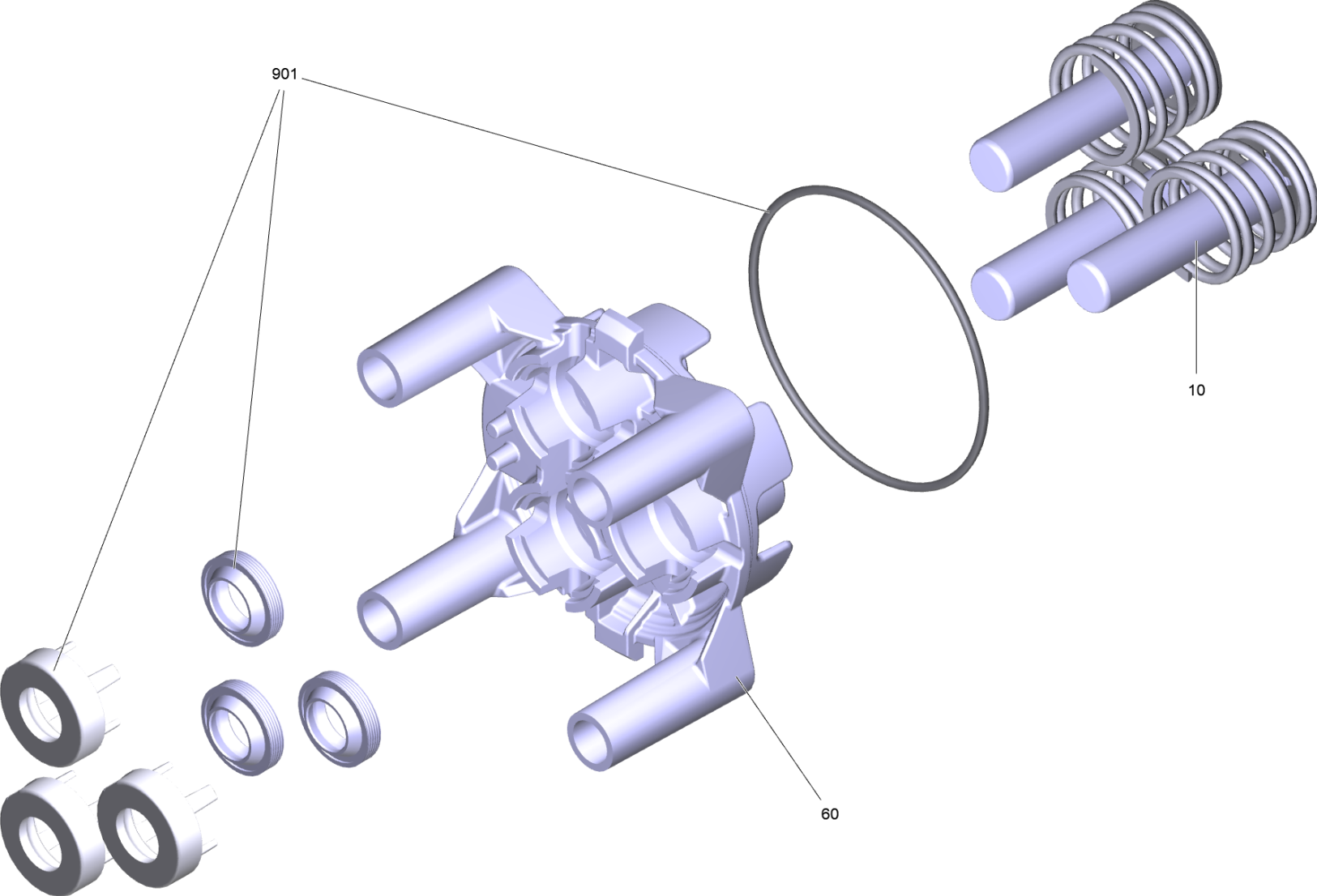
---

<b>POS</b>	<b>Article no.</b>	<b>Description</b>	<b>Quantity</b>	<b>Unit</b>
9500	2.640-729.0	O-Ring seal set	1	PC



109 Pump set complete K4 PC \*KNA

POS	Article no.	Description	Quantity	Unit
50	9.086-200.0	Screw M 8x55 Class 8.8	4	PC
60	9.048-071.0	Spacer - Seal	1	PC
70	9.039-148.0	Metal fork	2	PC
110	9.013-340.0	Thrust guidance complete	1	PC
120		Pump WCM plastic (HR) new	1	PC
130	4.100-752.0	Engine complete for replacement	1	PC
140	9.013-345.0	Suction connection complete FC	1	PC
141	7.306-394.0	Screw M5x12 -8.8-ZNBHL ISO 14583	2	PC
142	5.731-021.0	Fine filter K4/K5	1	PC
150	9.013-623.3	High-pressure outlet K4 NCR	1	PC
160	9.013-355.0	High-pressure outlet inside complete K4	1	PC
170	9.013-830.3	Electric box complete K4 PC KNA	1	PC
180	6.964-092.0	Viscous oil 50ml	1	PC

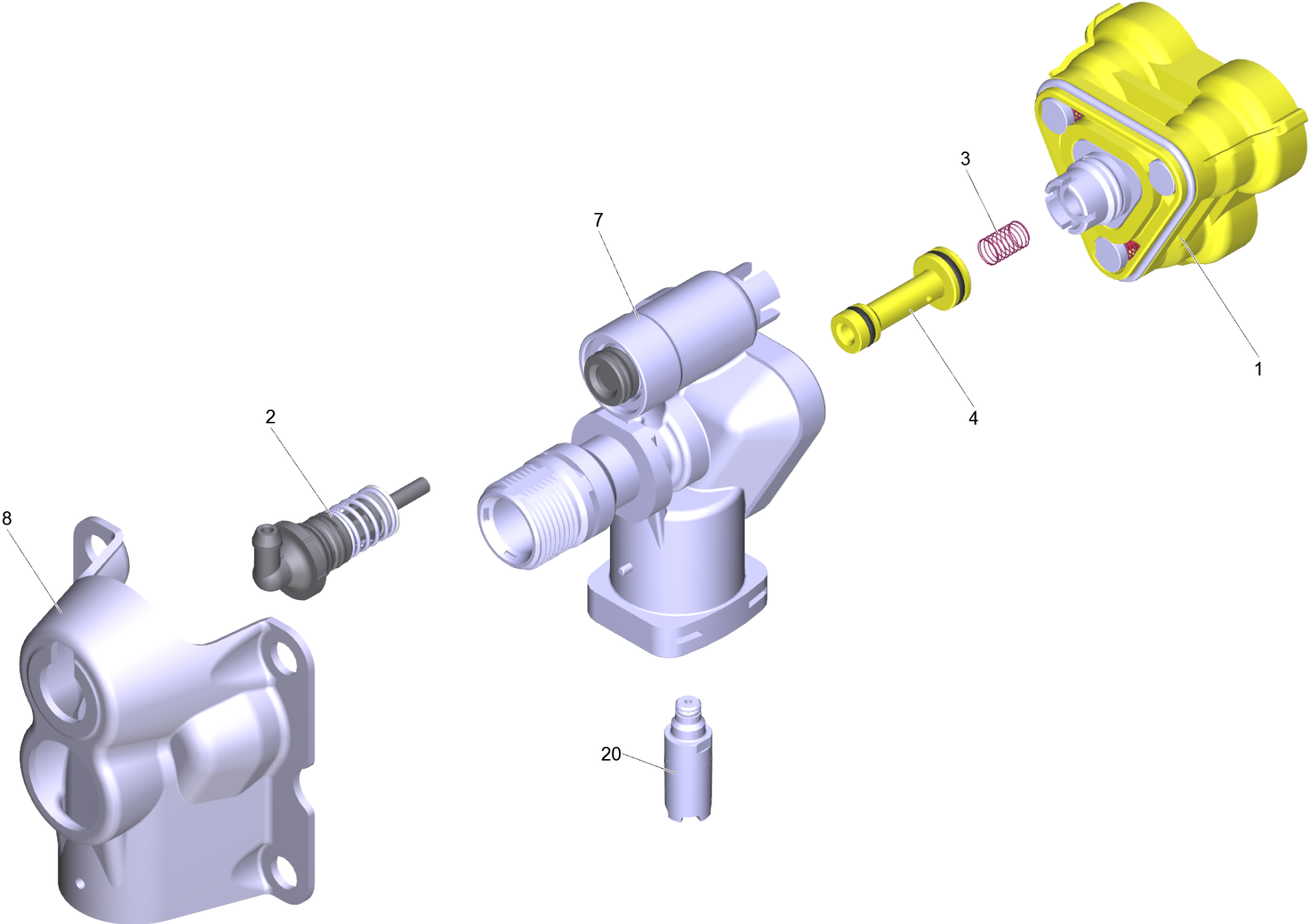


110 Thrust guidance complete (9.013-340.0)

---

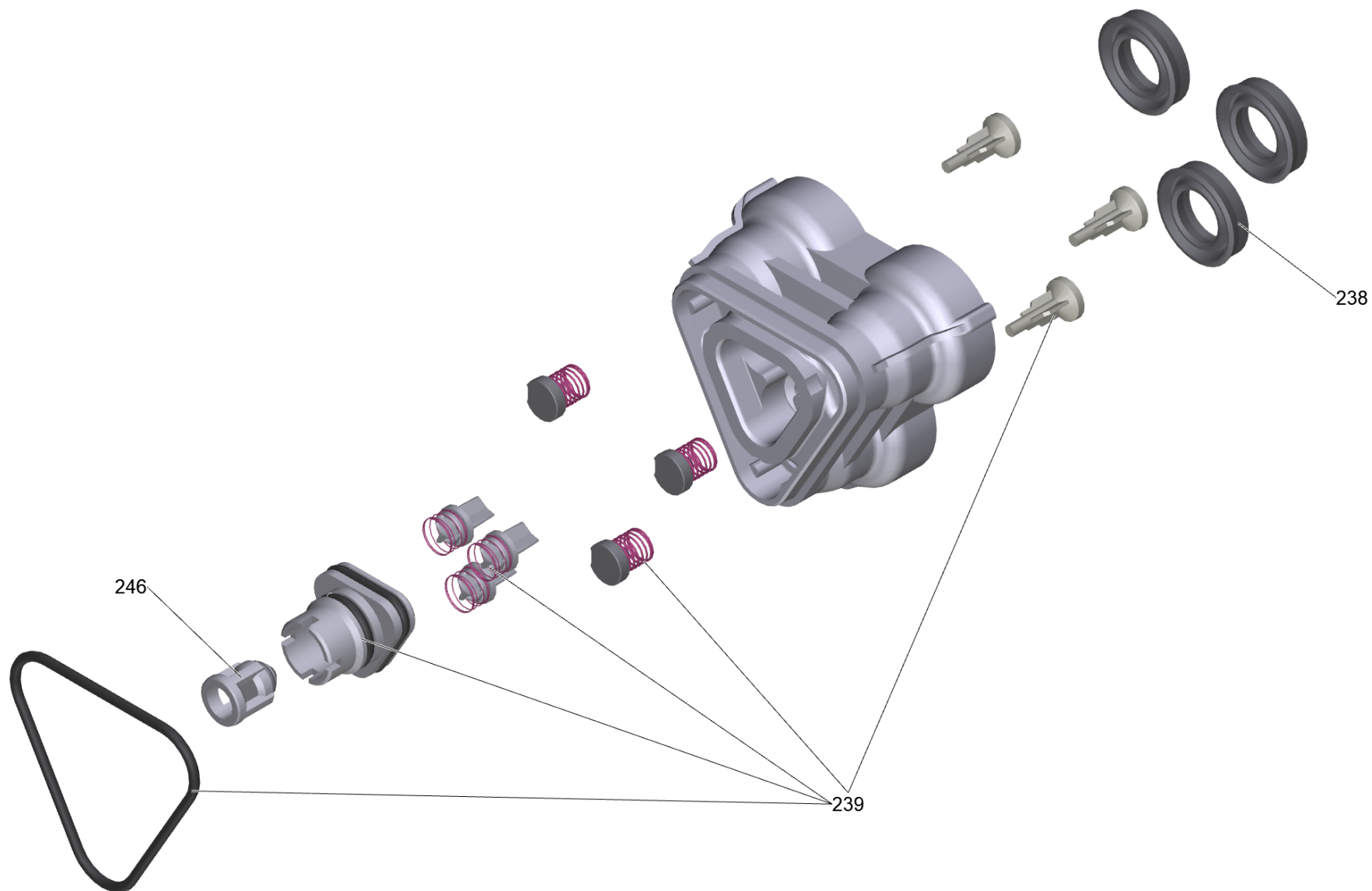
<b>POS</b>	<b>Article no.</b>	<b>Description</b>	<b>Quantity</b>	<b>Unit</b>
10	9.001-927.0	Piston complete	1	PC
60	9.042-149.0	Thrust guidance	1	PC
901	4.100-832.0	Spare parts set seals	1	PC





120 Pump WCM plastic (HR) new

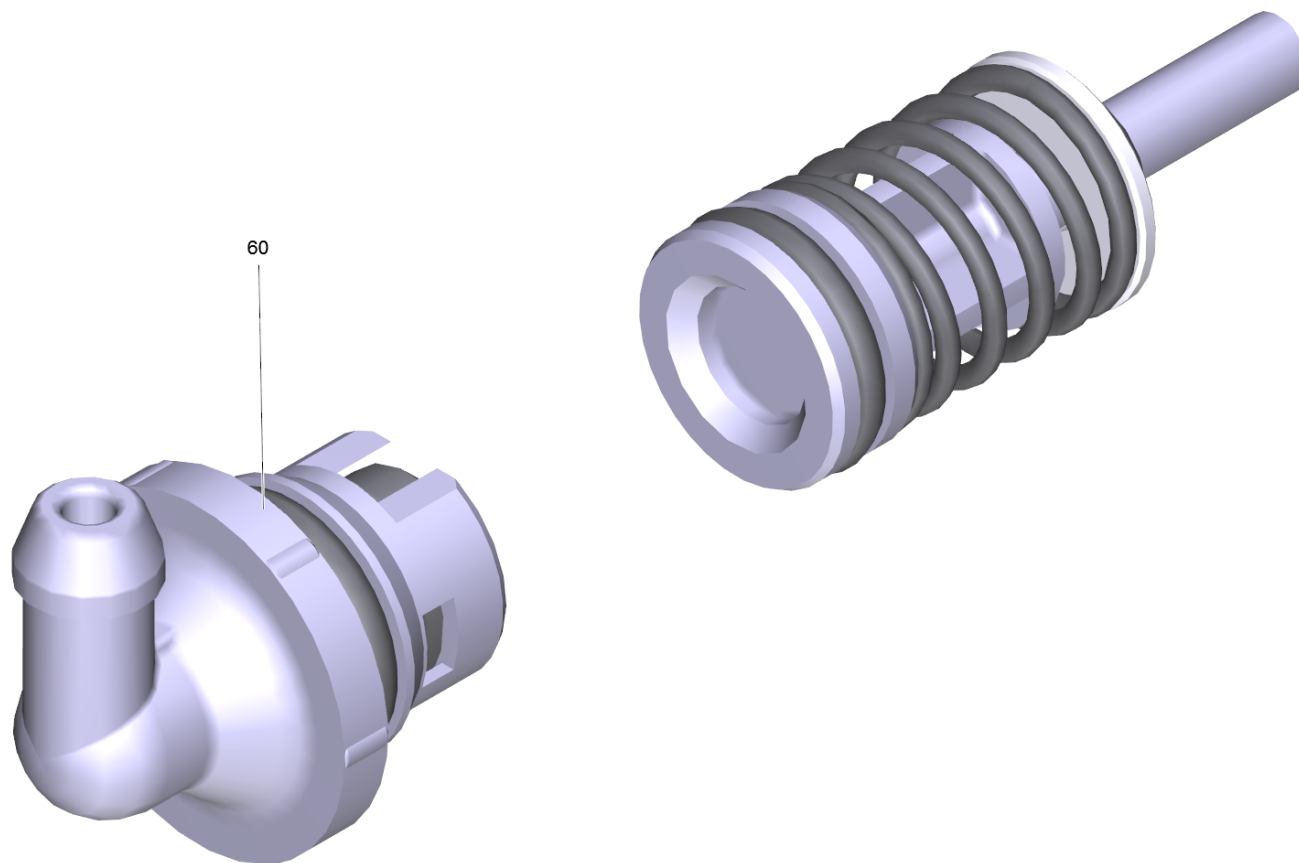
POS	Article no.	Description	Quantity	Unit
1	9.002-552.0	Head end WCM c/guarnizioni Tuico	1	PC
2	9.002-028.0	pressure piston HR (spare)	1	PC
3	9.047-026.0	Spring	1	PC
4	9.002-017.0	Venturi nozzle D.1,45	1	PC
7	9.002-029.0	manifold HR + pressure piston	1	PC
8	9.039-308.0	Cover K130	1	PC
20	4.580-801.3	Safety valve complete brown (SV5/R5)	1	PC



1 Head end WCM c/guarnizioni Tuico (9.002-552.0)

---

<b>POS</b>	<b>Article no.</b>	<b>Description</b>	<b>Quantity</b>	<b>Unit</b>
238	4.100-832.0	Spare parts set seals	3	PC
239	4.100-830.0	Spare parts set valves	1	PC
246	9.001-107.0	Cage complete	1	PC



2 pressure piston HR (spare) (9.002-028.0)

---

POS	Article no.	Description	Quantity	Unit
60	9.002-027.0	Rad. 90° control housing HR (ric)	1	PC

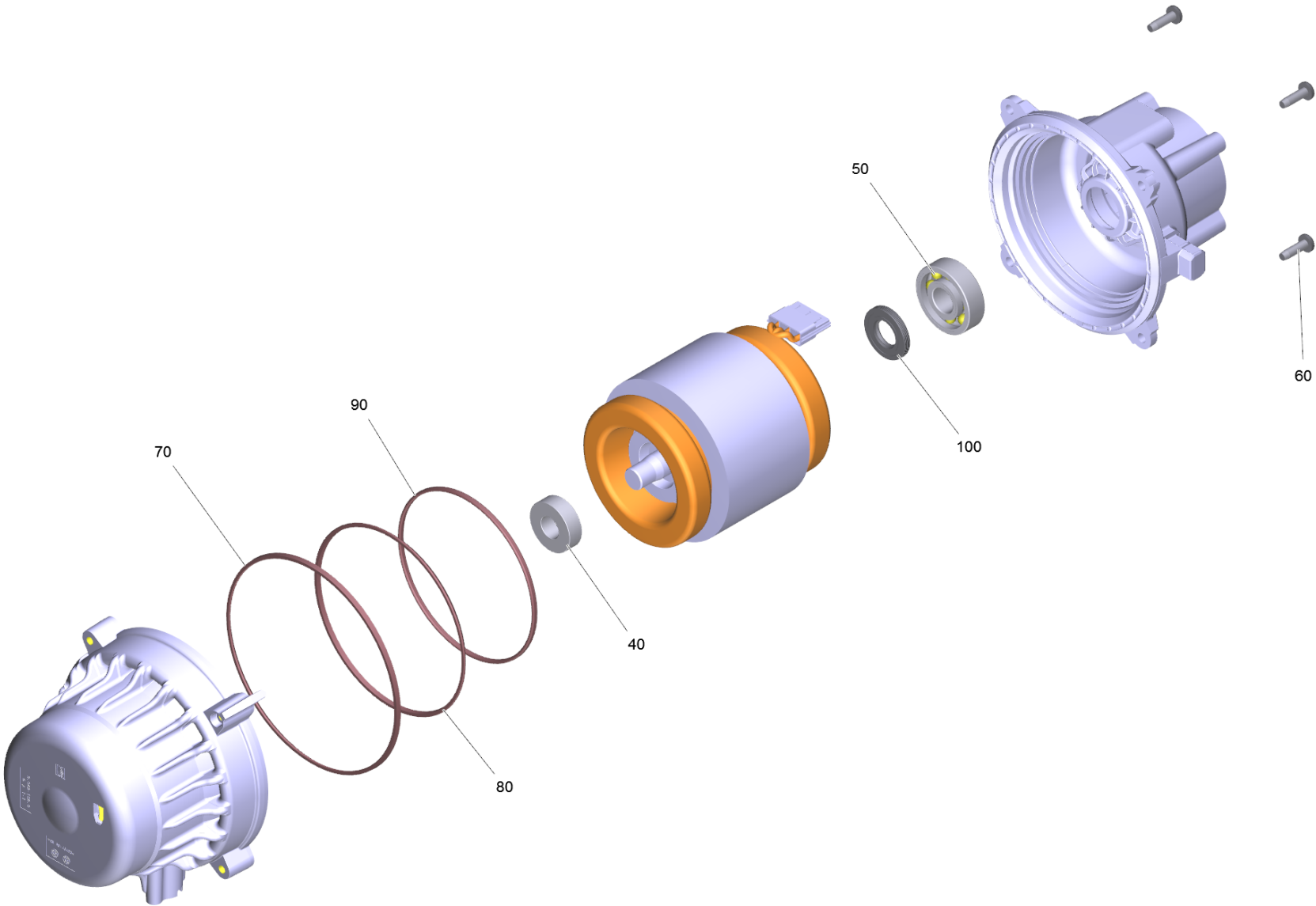


## 130 Engine complete for replacement (4.100-752.0)

---

<b>POS</b>	<b>Article no.</b>	<b>Description</b>	<b>Quantity</b>	<b>Unit</b>
10		Motor complete K5 FC Plus	1	PC
20	9.755-308.0	Wobble plate complete replacement 7°17'	1	PC
50	9.086-205.0	Screw	1	PC





## 10 Motor complete K5 FC Plus

---

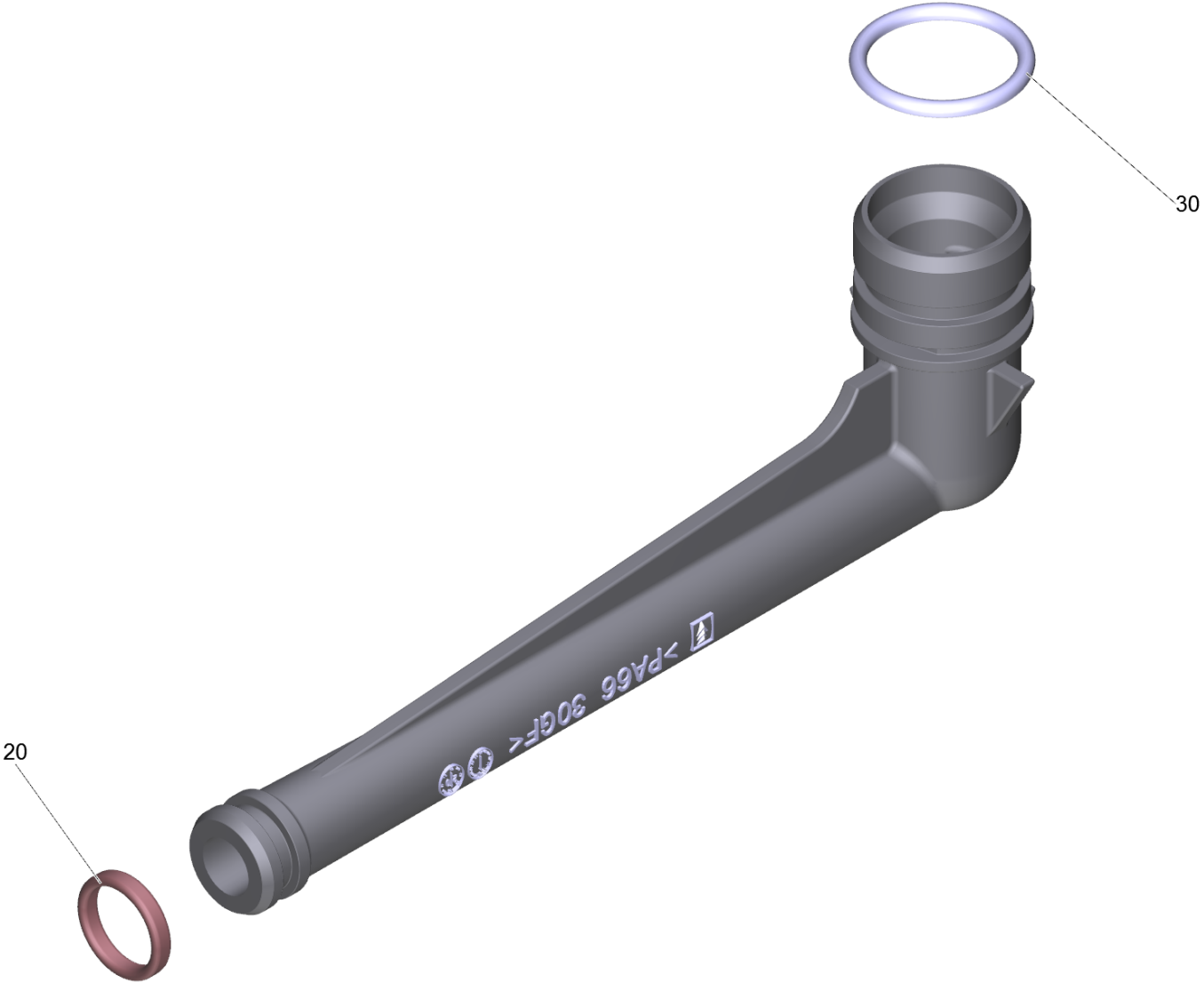
<b>POS</b>	<b>Article no.</b>	<b>Description</b>	<b>Quantity</b>	<b>Unit</b>
40	7.401-128.0	Ball bearing 6202-2RS -Wälzl.St DIN 625	1	PC
50	7.401-136.0	Ball bearing 6303 St DIN 625 17x47x14	1	PC
60	7.306-092.0	Screw M6x20-ST- 8.8-R3R (IN6RD)	4	PC
70	9.080-503.0	O-ring d.113,0x3.0 EPDM 70	1	PC
80	9.080-504.0	O-Ring seal 124x3 EPDM 70	2	PC
90	9.080-505.0	O-Ring seal 142.2x3 EPDM 70	1	PC
100	9.078-021.0	Grooved ring 17x35x5	1	PC



140 Suction connection complete FC (9.013-345.0)

---

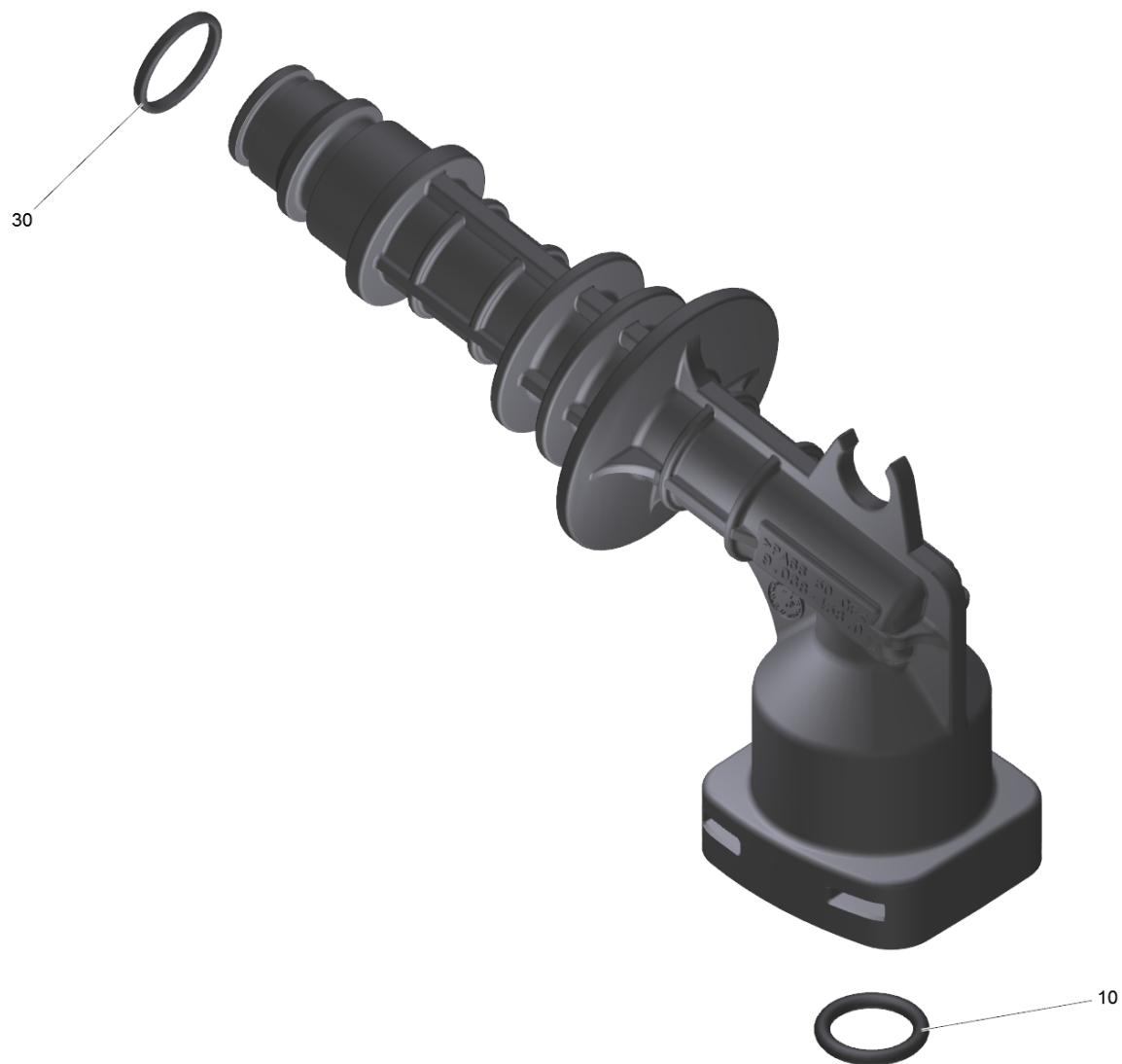
<b>POS</b>	<b>Article no.</b>	<b>Description</b>	<b>Quantity</b>	<b>Unit</b>
20	9.080-513.0	OR 12x2.1 EPDM 70 perox	1	PC



150 High-pressure outlet K4 NCR (9.013-623.3)

---

<b>POS</b>	<b>Article no.</b>	<b>Description</b>	<b>Quantity</b>	<b>Unit</b>
20	9.080-513.0	OR 12x2.1 EPDM 70 perox	1	PC
30	9.080-001.0	O-Ring 16x2,7 EPDM 50 Shore	1	PC

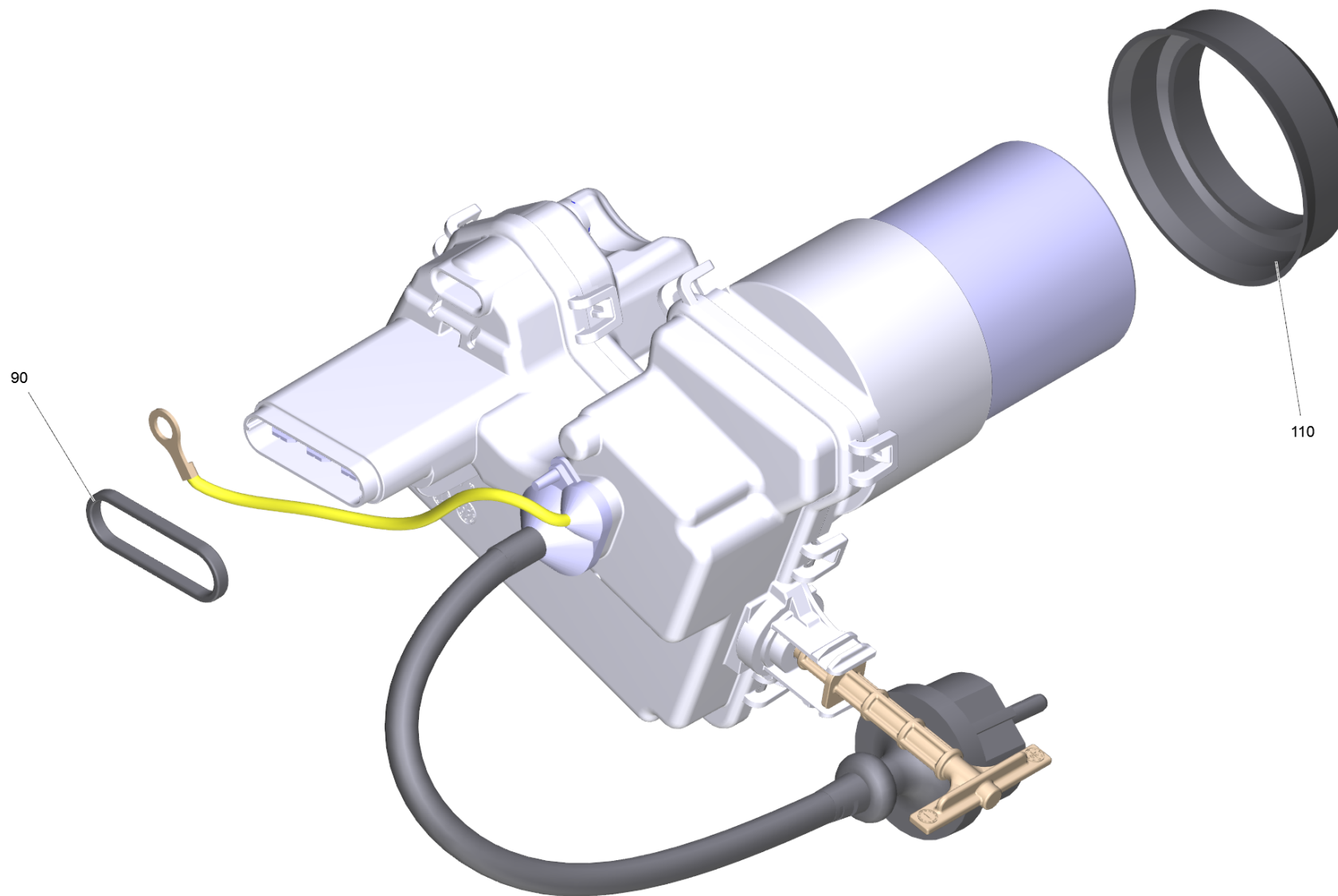


160 High-pressure outlet inside complete K4 (9.013-355.0)

---

<b>POS</b>	<b>Article no.</b>	<b>Description</b>	<b>Quantity</b>	<b>Unit</b>
10	6.362-151.0	O-Ring d. 10 x 2 NBR 70	1	PC
30	9.080-422.0	O-RING 11,5X1,5 NBR 70	1	PC

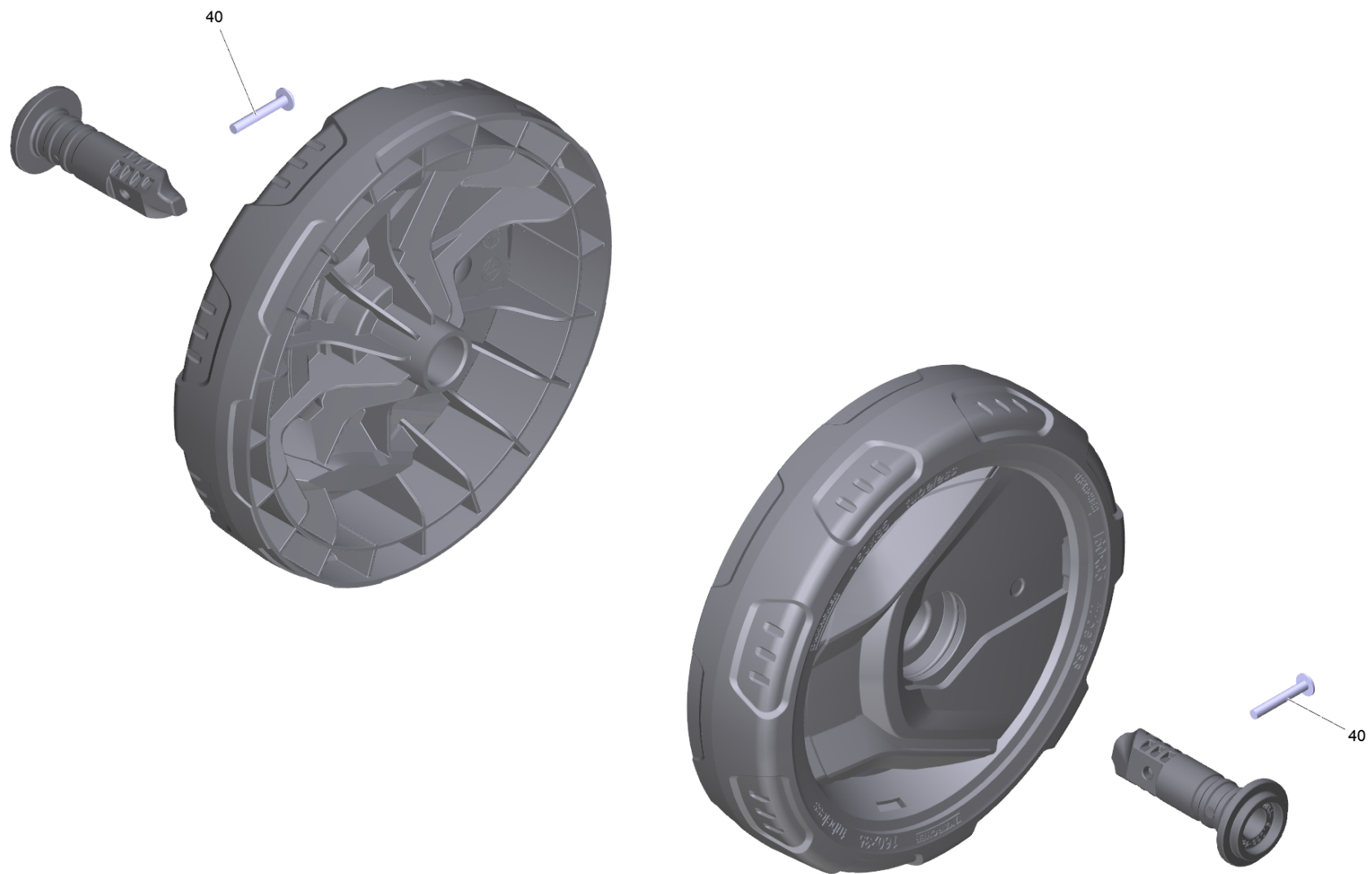




170 Electric box complete K4 PC KNA (9.013-830.3)

---

<b>POS</b>	<b>Article no.</b>	<b>Description</b>	<b>Quantity</b>	<b>Unit</b>
90	9.080-494.0	OR 20x2 EPDM70ShA PTFE	1	PC
110	9.080-465.0	Joint ring capacitor d.45, 70 Shore	1	PC

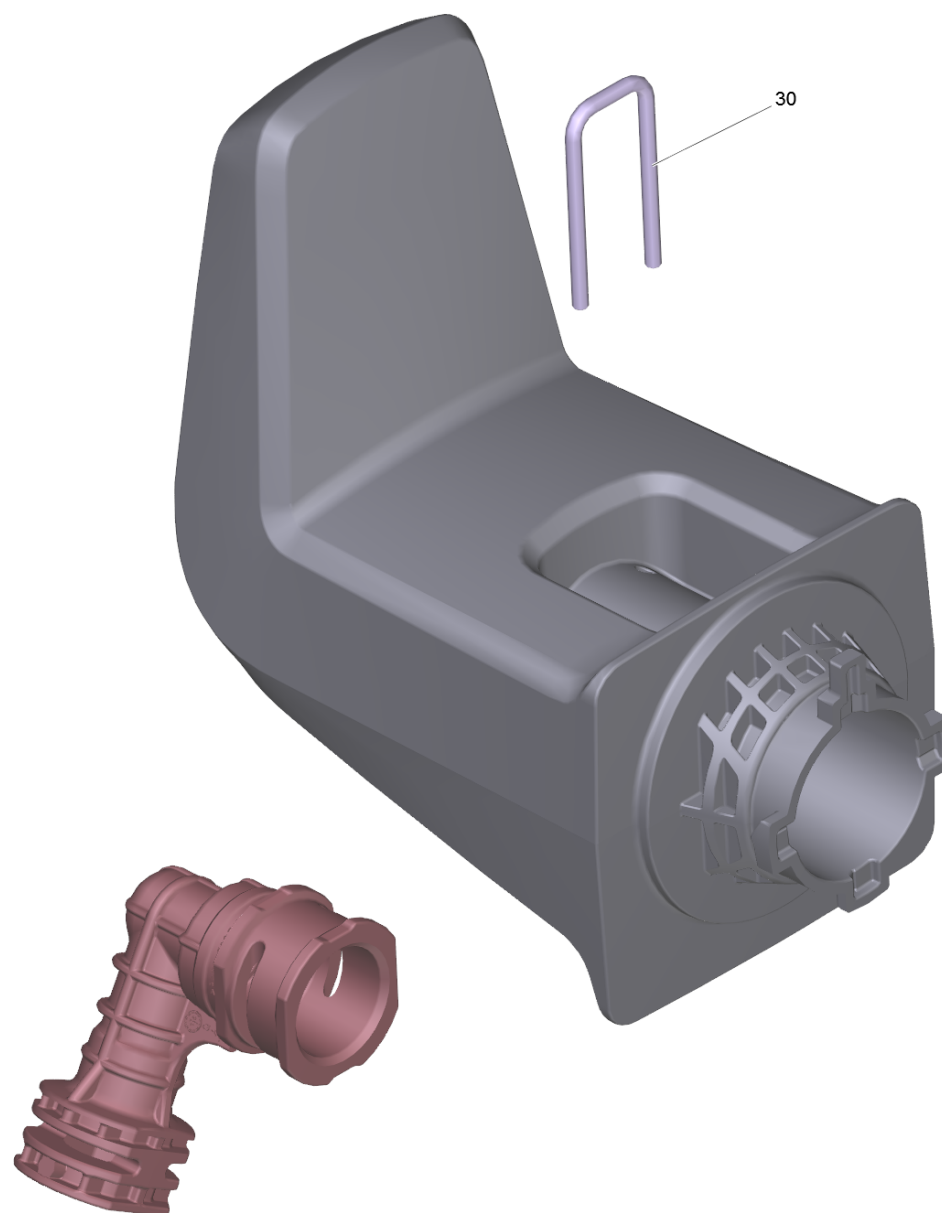


131 Wheel in pairs FC 1K D160 (9.002-438.0)

---

<b>POS</b>	<b>Article no.</b>	<b>Description</b>	<b>Quantity</b>	<b>Unit</b>
40	9.086-221.0	Screw ATF 4.1x22	1	PC

---



903 Spare parts set pedestal rear FC ALU (4.100-775.0)

---

<b>POS</b>	<b>Article no.</b>	<b>Description</b>	<b>Quantity</b>	<b>Unit</b>
30	9.039-566.0	Clamp fitting	1	PC

---