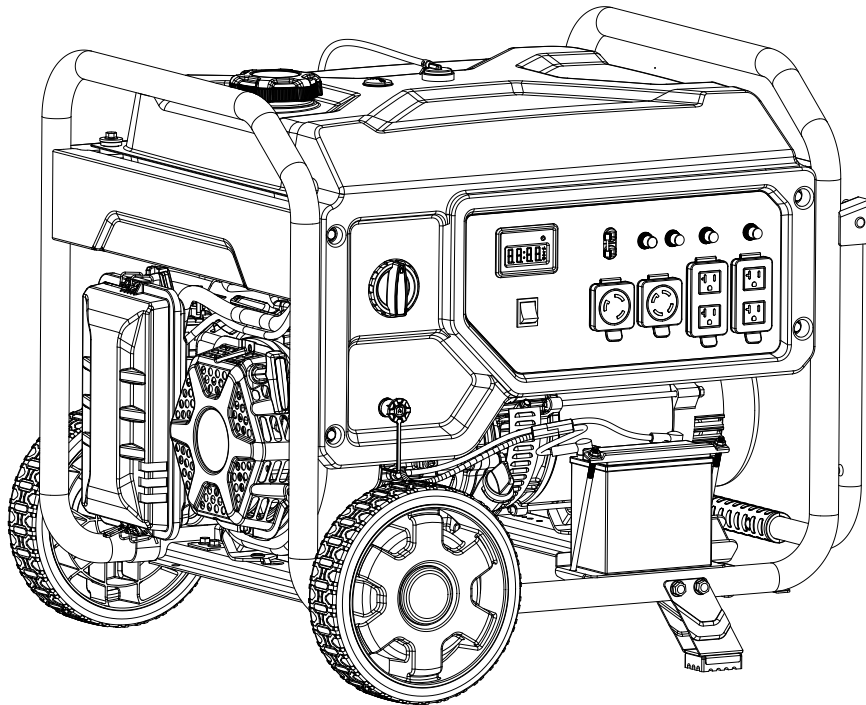


Champion Power Equipment, Inc., Santa Fe Springs, CA USA

**MODEL #201083**



## **PARTS INFORMATION**

**8500W DUAL FUEL ELECTRIC START GENERATOR**

**SERIAL NUMBER RANGE: ALL**



To order replacement parts please visit:  
**[shop.championpowerequipment.com](http://shop.championpowerequipment.com)**  
or call **1-877-338-0999**.

## **TABLE OF CONTENTS**

<b>Generator Parts Diagram</b> .....	<b>3</b>
<b>Generator Parts List</b> .....	<b>4</b>
<b>Engine Parts Diagram</b> .....	<b>5</b>
<b>Engine Parts Part List</b> .....	<b>6</b>
<b>Cylinder Head Diagram</b> .....	<b>8</b>
<b>Cylinder Head Part List</b> .....	<b>9</b>
<b>Carburetor Diagram</b> .....	<b>10</b>
<b>Carburetor Part List</b> .....	<b>11</b>
<b>Alternator Diagram</b> .....	<b>12</b>
<b>Alternator Part List</b> .....	<b>13</b>
<b>Fuel Tank Part Diagram</b> .....	<b>14</b>
<b>Fuel Tank Part List</b> .....	<b>15</b>
<b>Control Panel Part Diagram</b> .....	<b>16</b>
<b>Control Panel Part List</b> .....	<b>17</b>
<b>Frame Part Diagram</b> .....	<b>18</b>
<b>Frame Part List</b> .....	<b>19</b>
<b>Wiring Diagram</b> .....	<b>20</b>

# GENERATOR PARTS DIAGRAM

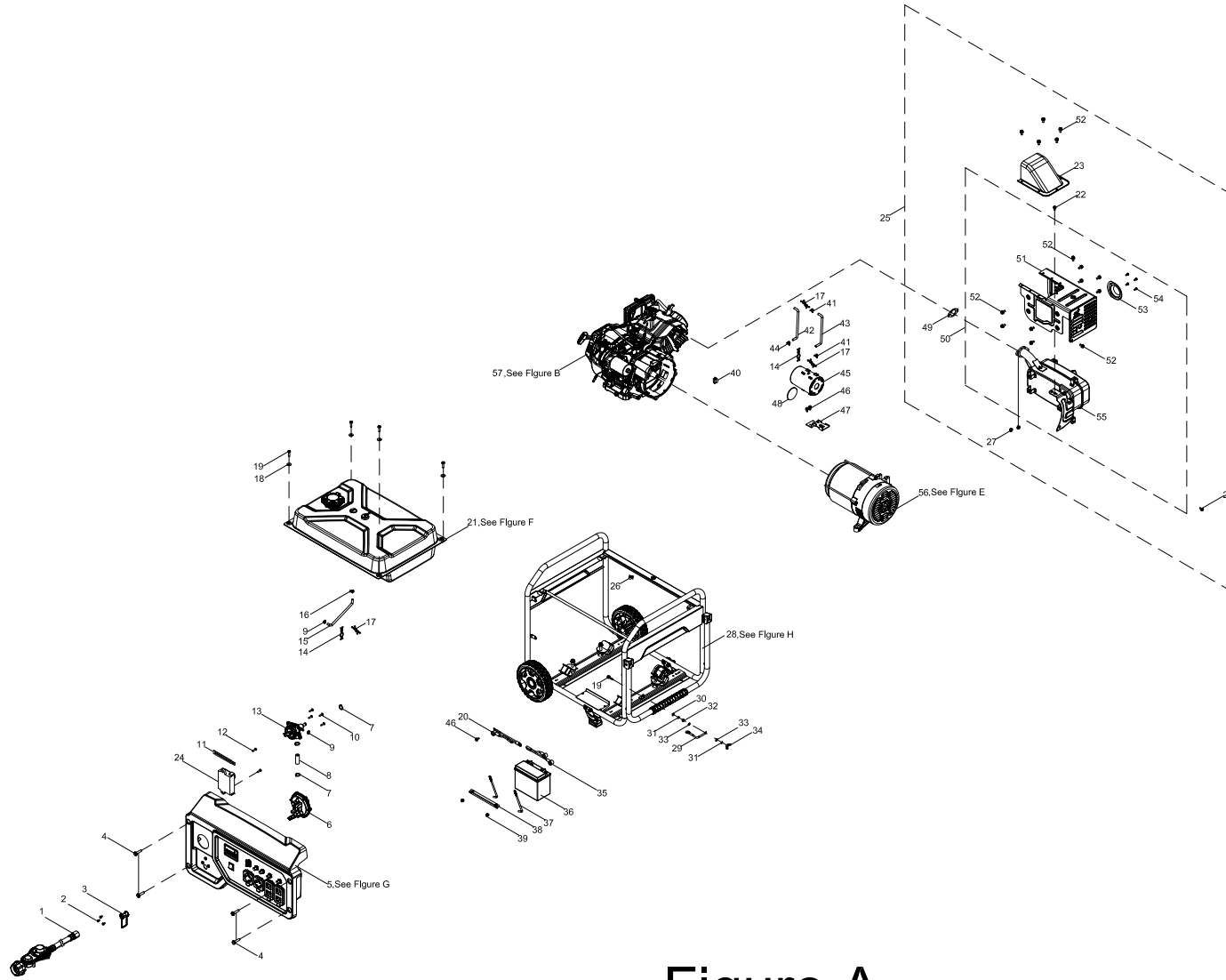


Figure A

## GENERATOR PARTS LIST

#	Part Number	Description	Qty.
1	100712815	LPG Hose With Regulator, 2m x 3/8" QC	1
2	100713896-0001	Screw M5 x 16	3
3	100163911	Rubber Cover, LPG Regulator	1
4	100011264-0002	Flange Bolt M6 x 16	4
5	100726129-0001	Control Panel Assembly, See Figure G	1
6	100714096	LPG Regulator	1
7	100110283	Clamp Ø17	3
8	100712236	Hose, LPG, Regulator to Fuel Valve	1
9	100090871	Clamp Ø9.7 x 8	2
10	100093250-0002	Self-tapping Screw ST4.8 x 20	4
11	100062546	Wire Clip B	1
12	100010954-0002	Screw M5 x 12	2
13	100163344	Fuel Valve	1
14	100714686	Clamp 2	2
15	100718279	Tube, Fuel, Ø4 x Ø10 x 310	1
16	100005138	Clamp Ø9.5 x 8	1
17	100000658	Clamp	3
18	100010439-0001	Washer Ø6.5 x 2 x Ø25	4
19	100011268-0002	Flange Bolt M6 x 25	5
20	100712240	DC Wire Harness, Engine	1
21	100734658	Fuel Tank Assembly, See Figure F	1
22	100011311-0005	Flange Bolt M8 x 16	2
23	100163910-0001	Air Guide, Muffler	1
24	100156769	CO Module	1
25	100733016	Muffler Assembly	1
26	100000667	Clamp Ø8 x 8	1
27	100011422-0004	Flange Nut M8	2
28	100728060	Frame Assembly, See Figure H	1
29	100009983	Grounding Wire	1
30	100011025-0001	Lock Washer Ø6, Toothed	1

#	Part Number	Description	Qty.
31	100010886-0004	Spring Washer Ø6	2
32	100011421-0003	Flange Nut M6	1
33	100010920-0002	Flat Washer Ø6	2
34	100010828-0002	Butterfly Type Nut M6	1
35	100712241	DC Wire Harness, Battery	1
36	100021409	Battery, 12V 14Ah	1
37	100021362-0003	Fixing Bolt, Battery	2
38	100021372-0017	Pressing Plate, Battery, 184 mm	1
39	100011452-0003	Lock Nut M6, Flange	2
40	100018704	Rubber Plug	1
41	100005148	Calmp 1, Ø8	2
42	100712242	Tube, Vent, 200mm	1
43	100716905	Tube, Vent, 855mm	1
44	100005130	Clamp Ø9 x 8	1
45	100008945	Carbon Canister, 650cc	1
46	100011261-0004	Flange Bolt M6 x 12, GB5789	3
47	100008675-0001	Bracket, Carbon Canister Mounting	1
48	100716369	Insulator, Carbon Canister	1
49	100006941	Gasket, Exhaust Pipe	1
50	100724958	Muffler Assembly	1
51	100714387	Muffler Guard	1
52	100097575-0001	Flange Bolt M6 x 10	15
53	100714398	Spark Arrester	1
54	100147110-0002	Flange Bolt M4 x 8	4
55	100731805	Muffler	1
56	100728168	Alternator Assembly, See Figure E	1
57	1ZC7DFS03	Engine, 459cc, See Figure B	1

# ENGINE PARTS DIAGRAM

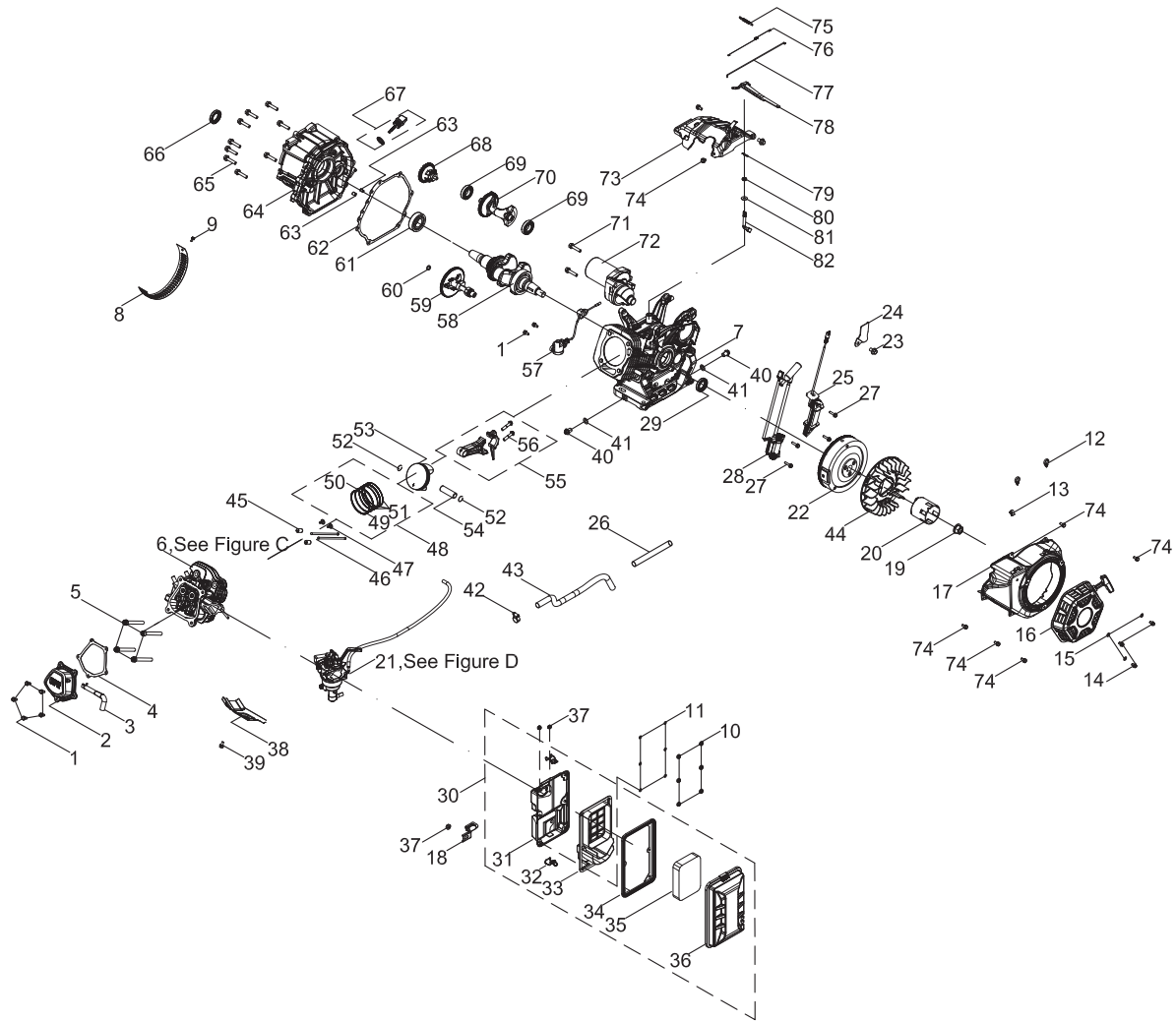


Figure B

**ENGINE PARTS PART LIST**

#	Part Number	Description	Qty.
1	100011264-0003	Flange Bolt M6 x 16, GB5789	7
2	100002337	Cylinder Head Cover	1
3	100715570	Breather Tube	1
4	100055922	Gasket, Cylinder Head Cover	1
5	100002470	Flange Bolt M10 x 1.25 x 87	4
6	100727937	Cylinder Head Assembly - See Figure C	1
7	100711174-0001	Crankcase	1
8	100141250	Vent, Engine Fan	1
9	100011248-0003	Flange Bolt M5 x 10	1
10	100011451-0003	Flange Nut M5	6
11	100010430	Washer Ø6 x 1 x Ø12	6
12	100060808	Clamp	2
13	100000667	Clamp Ø8 x 8	1
14	100011565-0001	Flange Bolt M6 x 10, GB16674.1	3
15	100010920-0002	Washer Ø6	3
16	100715836-0001	Recoil Starter, Black	1
17	100055977-0018	Fan Cover, Yellow	1
18	100021032	Bracket, Air Cleaner Support	1
19	100011460-0001	Flange Nut M16 x 1.5	1
20	100007562	Pulley, Starter	1
21	100732996	Carburetor Assembly - See Figure D	1
22	100097517	Flywheel	1
23	100011213-0001	Flange Bolt M6 x 8	1
24	100009463	Pressing Plate	1
25	100009405	Ignition Coil	1
26	100713891	Sleeve, Fuel Hose, Ø20 x 150	1
27	100011269-0003	Bolt M6 x 28	4
28	100730943	Ignition Module	1
29	100017649	Oil Seal Ø35 x Ø52 x 7	1
30	100712978	Air Filter Assembly	1

#	Part Number	Description	Qty.
31	100714346	Air Filter Base	1
32	100714345	Air Filter Clip	2
33	100714344	Air Filter Separator	1
34	100714343	Gasket, Air Filter Cover	1
35	100713882	Air Filter Element	1
36	100714350	Air Filter Cover	1
37	100011452-0003	Lock Nut M6, Flange	3
38	100007097	Air Guide, Lower	1
39	100011260-0005	Flange Bolt M6 x 10	1
40	100010275	Drain Bolt, M12 x 1.5 x 15	2
41	100010467	Washer Ø12 x 1.5 x Ø15	2
42	100159468-0001	Clamp, Fuel Hose	1
43	100713889	Tube, Fuel, Ø9 x Ø17 x 410	1
44	100007043	Fan, Engine Cooling	1
45	100010562	Dowel Pin Ø12 x 20	2
46	100149152	Push Rod	2
47	100149154	Lifter, Valve	2
48	100003265	Piston Ring Set	1
49	100003168	1st Piston Ring	1
50	100003210	2nd Piston Ring	1
51	100003295	Oil Ring	1
52	100003225	Circlip, Wrist Pin	2
53	100030224	Piston	1
54	100003132	Wrist Pin	1
55	100719493	Connecting Rod Assembly	1
56	100003432	Bolt, Connecting Rod	2
57	100094024	Oil Level Sensor	1
58	100711963	Crankshaft	1
59	100711980	Camshaft	1
60	100010521-0001	Washer Ø16.2 x 0.3 x Ø24	1

#	Part Number	Description	Qty.
61	100010789	Bearing TM6207E - P64	1
62	100714134	Gasket, Crankcase Cover	1
63	100010549	Dowel Pin Ø8 x 12	2
64	100712041	Cover, Crankcase	1
65	100011323-0001	Flange Bolt M8 x 38	9
66	100017653	Oil Seal Ø35 x Ø52 x 7, Spiral Grain	1
67	100004129-0008	Oil Dipstick	1
68	100008305	Gear, Governor	1
69	100010742	Bearing TM6202 - P63	2
70	100150211	Balance Shaft	1
71	100011320-0002	Flange Bolt M8 x 35	2
72	100713757	Starter	1
73	100715161	Air Guide, Engine Fan	1
74	100011261-0004	Flange Bolt M6 x 12, GB5789	8
75	100717724	Spring, Governor	1
76	100007927	Spring, Throttle Return	1
77	100007958	Rod, Governor	1
78	100008428	Arm, Governor	1
79	100007989	Cotter, Governor Shaft	1
80	100017631	Oil Seal Ø8 x Ø14 x 4	1
81	100010518-0001	Washer Ø8 x 0.8 x Ø20	1
82	100007980	Governor Shaft	1

## CYLINDER HEAD DIAGRAM

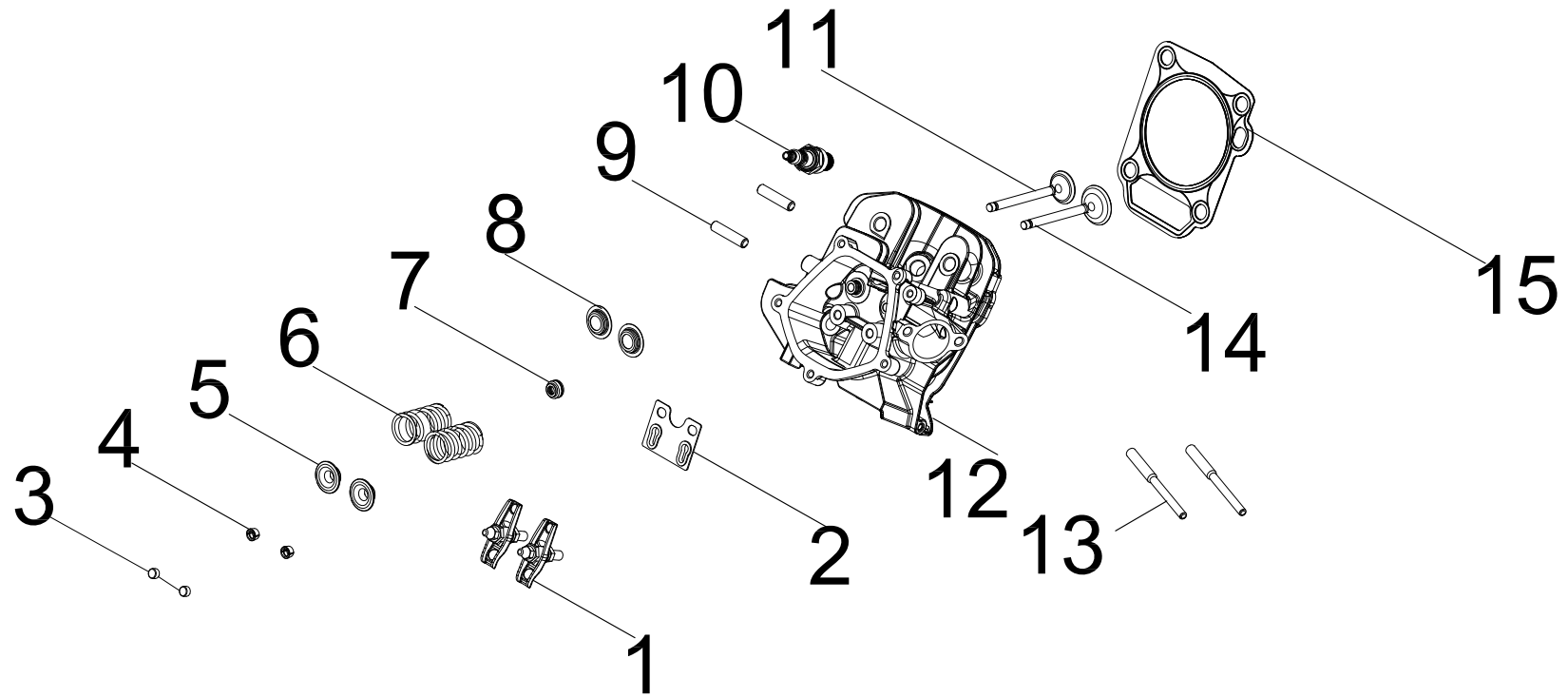


Figure C



**CYLINDER HEAD PART LIST**

#	Part Number	Description	Qty.
1	100149155	Rocker Arm Assembly	2
2	100004474	Guide Plate, Push Rod	1
3	100004589	Retainer, Valve	2
4	100004576	Valve Collet	4
5	100004516	Valve Spring Seat, Upper	2
6	100067633	Spring, Valve	2
7	100004602	Oil Seal, Intake Valve	1
8	100004575	Valve Spring Seat, Lower	2
9	100010389	Stud Bolt M8 x 35	2
10	100009378	Spark Plug F6RTC	1
11	100719490	Exhaust Valve	1
12	100715291	Cylinder Head	1
13	100010364	Stud Bolt M6-8 x 104	2
14	100719491	Intake Valve	1
15	100150209	Gasket, Cylinder Head	1

## CARBURETOR DIAGRAM

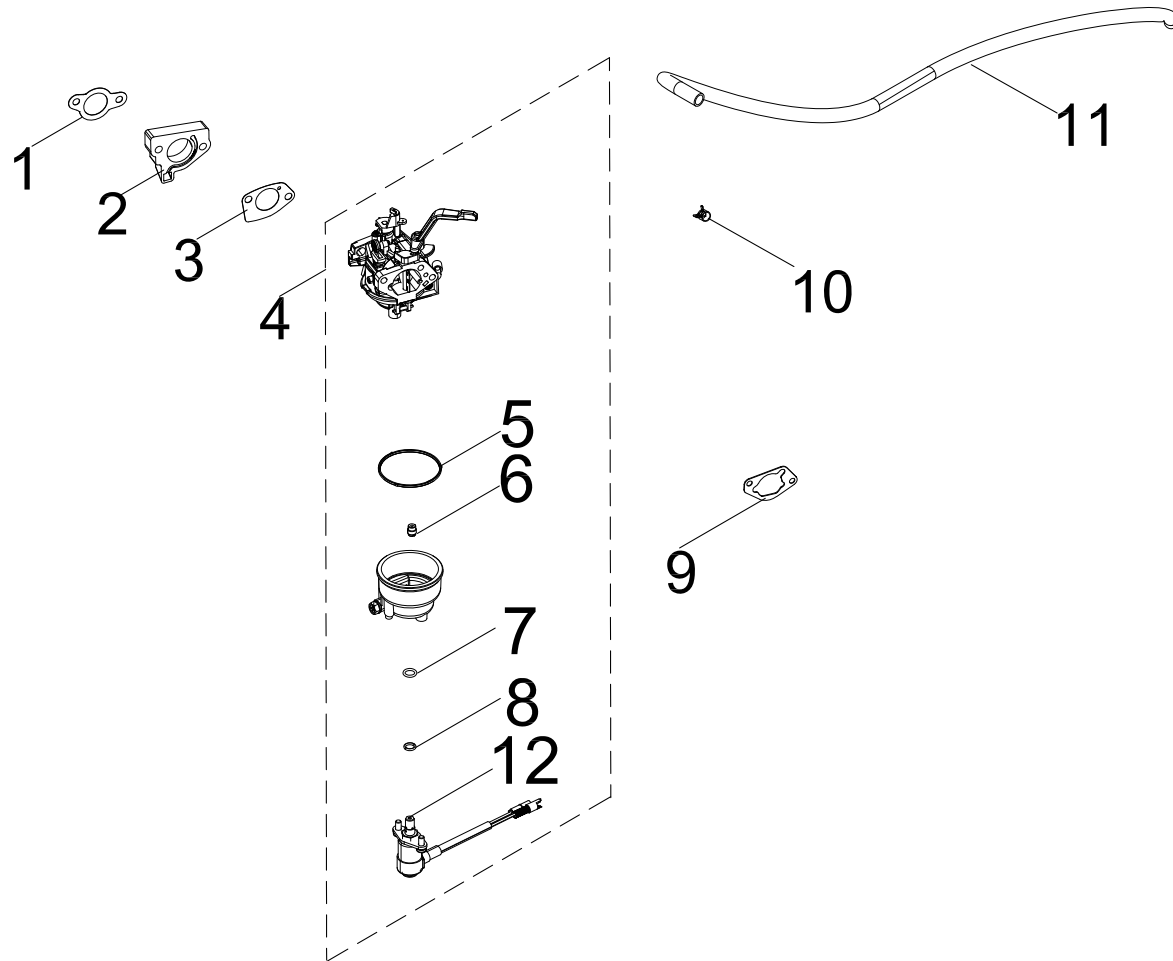


Figure D

**CARBURETOR PART LIST**

#	Part Number	Description	Qty.
1	100076230	Gasket, Insulator	1
2	100005618	Insulator, Carburetor	1
3	100076228	Gasket, Carburetor	1
4	100713991	Carburetor Assembly	1
5	100005720	Fuel Bowl O-Ring	1
6	100073693	Main Jet, Standard, #114	1
7	100125928	Main Jet, Altitude 1000-3000m, #112	/
	100130186	O-Ring, Solenoid Valve Base	1
8	100130185	O-Ring, Solenoid Valve	1
9	100076229	Gasket, Air Filter Base	1
10	100005138	Clamp Ø9.5 x 8	1
11	100713890	Fuel Tube, Ø4 x Ø10 x 480	1
12	100718072	Solenoid Valve	1

# ALTERNATOR DIAGRAM

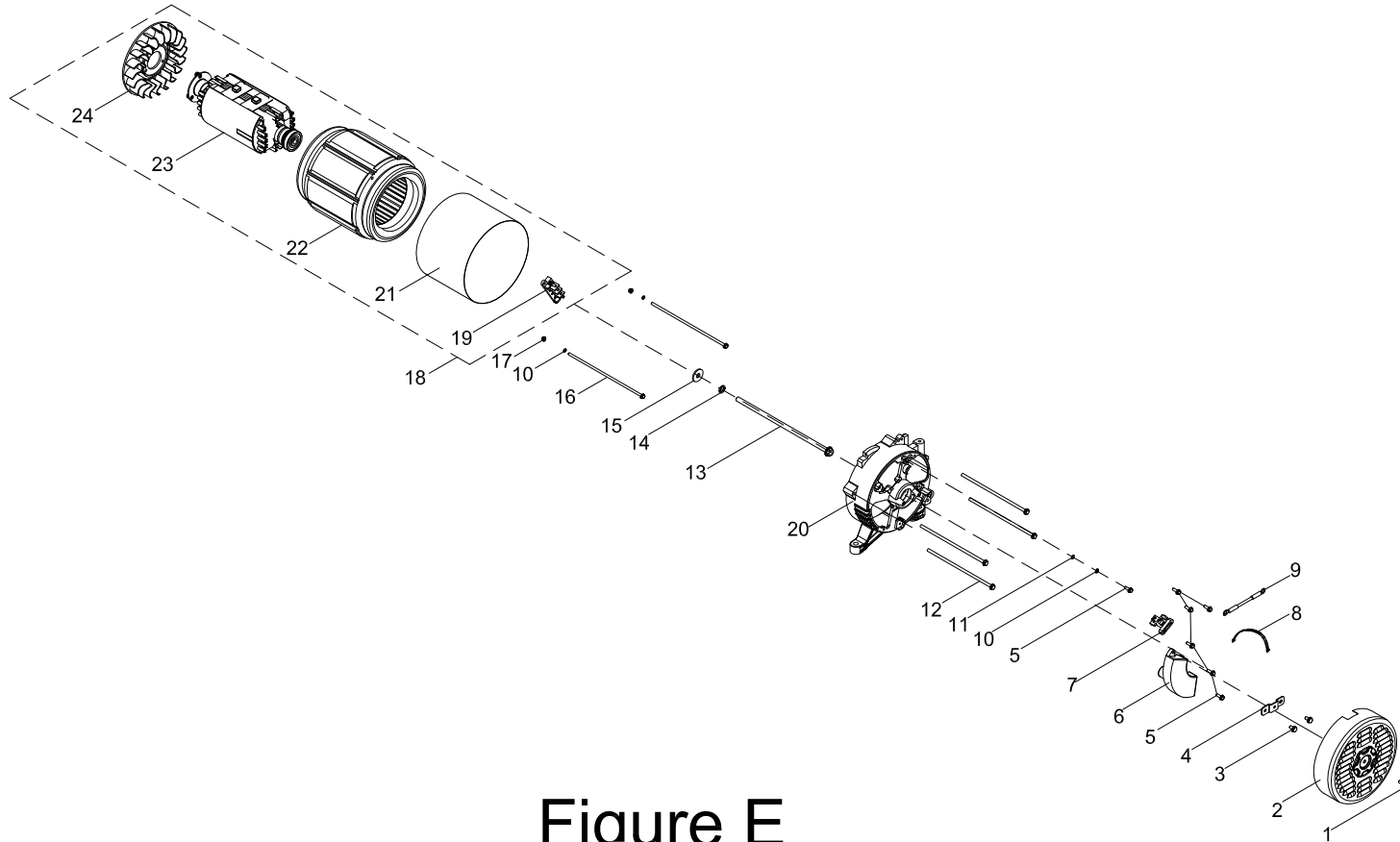


Figure E

**ALTERNATOR PART LIST**

#	Part Number	Description	Qty.
1	100011570-0007	Big Flange Bolt M6 x 12	1
2	100018662-0001	Cover, End Housing, Yellow	1
3	100011250-0002	Flange Bolt M5 x 14	2
4	100020167	Support, End Cover	1
5	100011252-0001	Flange Bolt M5 x 18	7
6	100018640	AVR	1
7	100018595	Carbon Brush Assembly	1
8	100000563	Cable Ties, L=85 mm	1
9	100009985	Grounding Wire 1	1
10	100010885-0004	Spring Washer Ø5	3
11	100010919-0002	Flat Washer Ø5	1
12	100011305-0001	Flange Bolt M6 x 200	4
13	100011400-0001	Flange Bolt M10 x 1.25 x 285	1
14	100010888-0002	Spring Washer Ø10	1
15	100010905-0001	Washer Ø10	1
16	100011414-0001	Flange Bolt M5 x 229	2
17	100011419-0001	Flange Nut M5	2
18	100724466	Alternator Assembly, Al, Ø204 x 160 mm	1
19	100018701	Terminal Block	1
20	100725617	End Housing	1
21	100715326	Stator Cover, 152.5 mm	1
22	100727878	Stator Assembly, Al, Ø204 x 160 mm	1
23	100727879	Rotor Assembly, Al, Ø119 x 160 mm	1
24	100007025	Cooling Fan	1

## FUEL TANK PART DIAGRAM

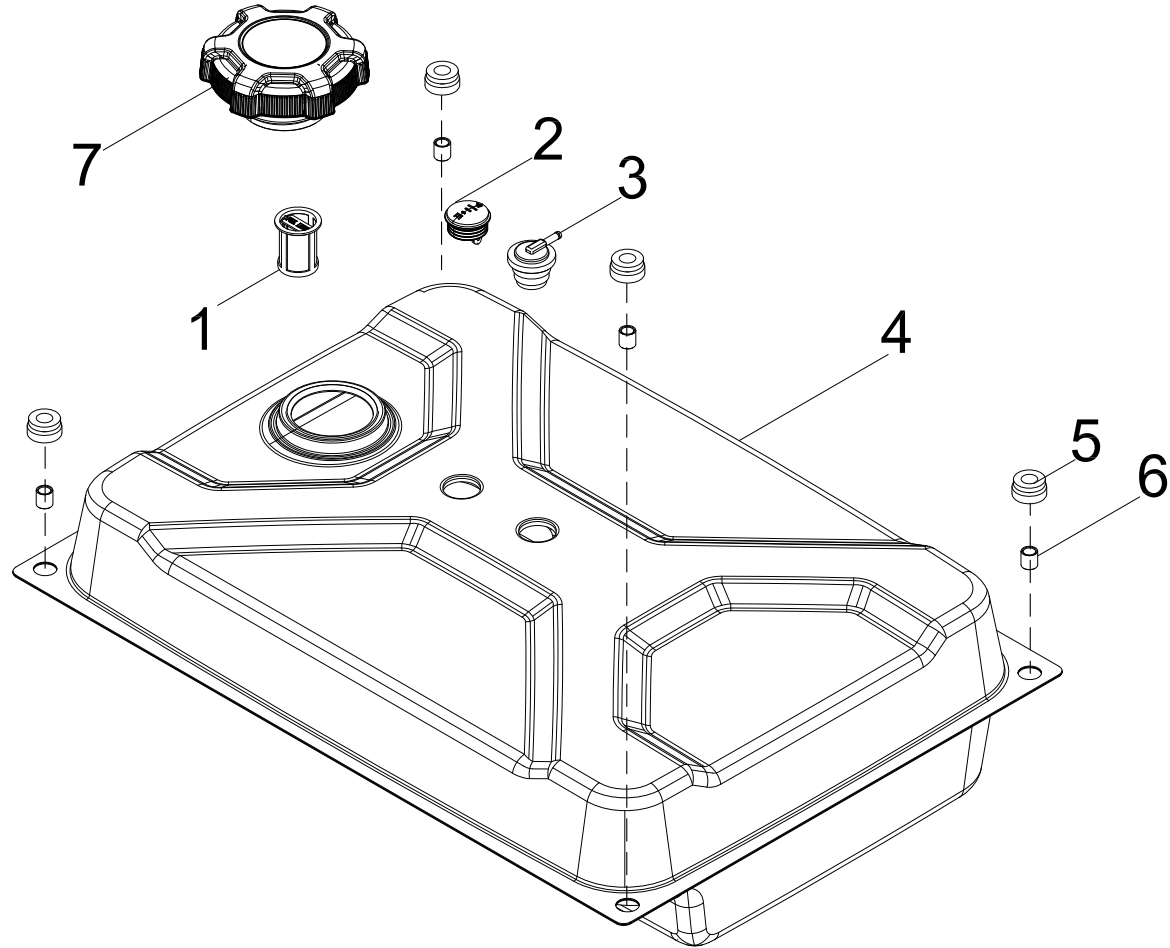


Figure F

**FUEL TANK PART LIST**

#	Part Number	Description	Qty.
1	100098838	Fuel Filter Assembly	1
2	100714393	Fuel Gauge	1
3	100008968	Reversal Valve	1
4	100714399-0001	Fuel Tank, 29.1L, Yellow	1
5	100032369	Vibration Mounting, Fuel Tank	4
6	100021118	Bushing, Ø12 x Ø9 x 13	4
7	100142004	Fuel Tank Cap	1

# CONTROL PANEL PART DIAGRAM

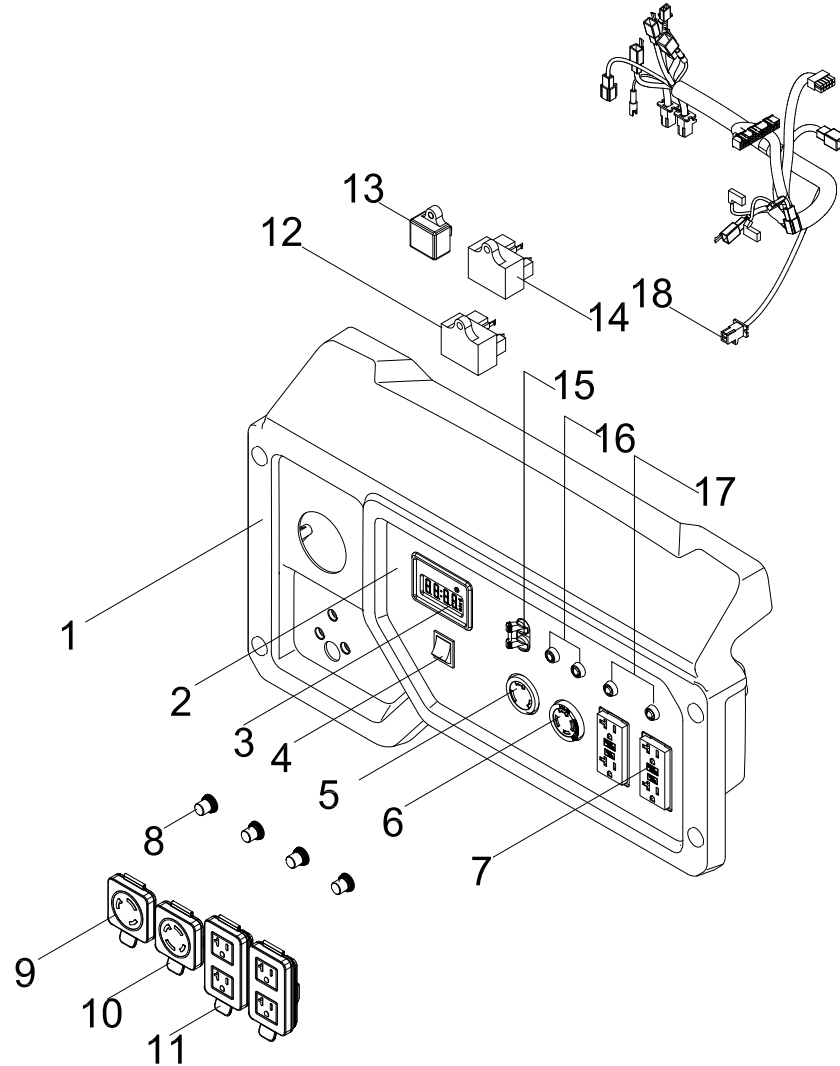


Figure G



**CONTROL PANEL PART LIST**

#	Part Number	Description	Qty.
1	100160006	Control Panel Housing	1
2	100726127	Control Panel	1
3	100730999	Intelligauge, INT10F	1
4	100714233	Switch, Red, Engine	1
5	100020005	Receptacle L5-30R	1
6	100020021	Receptacle L14-30R	1
7	100052461-0001	Receptacle 5-20R, GFCI Duplex	2
8	100120180	Breaker Cover	4
9	100731573	Receptacle Cover, L5-30R	1
10	100731571	Receptacle Cover, L14-30R	1
11	100731574	Receptacle Cover, 5-20R, Duplex	2
12	100713001	Control Module, Solenoid Valve	1
13	100724627	Charger Module	1
14	100728387	OVF Module	1
15	100727088	35 Amp Circuit Breaker, Flip Pole	1
16	100019751	30 Amp Circuit Breaker, Push Button	2
17	100019754	20 Amp Circuit Breaker, Push Button	2
18	100726128	Wire Harness Assembly	1

# FRAME PART DIAGRAM

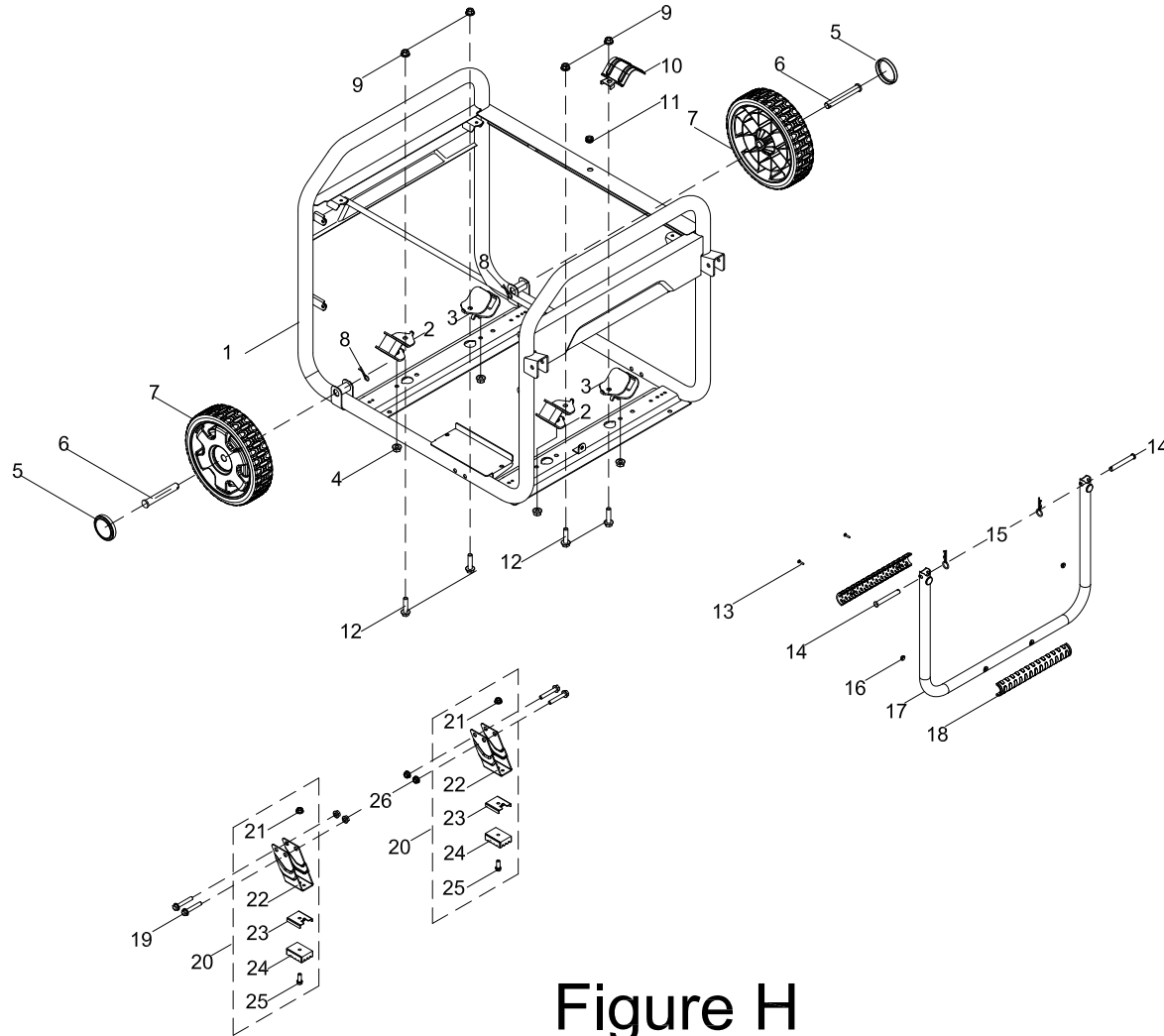


Figure H

**FRAME PART LIST**

#	Part Number	Description	Qty.
1	100726120-0001	Frame	1
2	100031984	Vibration Mount 2	2
3	100068992	Vibration Mount 1	2
4	100011453-0003	Lock Nut M8, Flange	4
5	100712243-0001	Cover, Wheel, Yellow	2
6	100011064-0001	Roll Pin Ø16 x 100	2
7	100163346-0001	9.5 In. Wheel, Yellow	2
8	100023414-0002	R-pin	2
9	100011456-0003	Flange Nut M10 x 1.25	4
10	100021029-0001	Heat Shield	1
11	100009075	Rubber Damper	1
12	100011381-0002	Flange Bolt M10 x 1.25 x 40	4
13	100095857-0005	Flange Bolt M4 x 18	2
14	100011047-0003	Roll Pin Ø8 x 40	2
15	100714685-0001	R-pin, R5	2
16	100078853	Damping Pad, Handle	2
17	100160069-0001	Handle	1
18	100711157	Grip, Handle	1
19	100011330-0001	Flange Bolt M8 x 48	4
20	100163347-0001	Support Leg Assembly	2
21	100011452-0003	Lock Nut M6, Flange	2
22	100711874-0001	Support Leg	2
23	100068623-0001	Stop Block	2
24	100058956	Vibration Mount, Support Leg	2
25	100011266-0004	Flange Bolt M6 x 20	2
26	100011453-0002	Flange Nut M8, GB6177.1	4

# WIRING DIAGRAM

