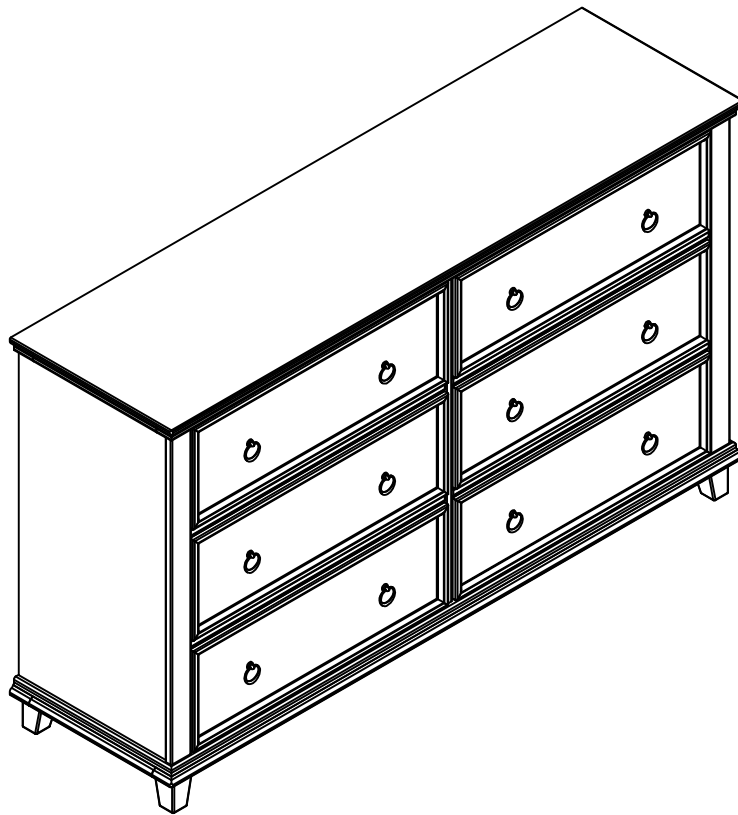


USE AND CARE GUIDE

GRANTLEY IVORY DRESSER



Questions, problems, missing parts? Before returning to the store,
Before returning to the store, call Home Decorators Collection Customer Service.
8 a.m. - 7 p.m., EST, Monday - Friday, 9 a.m. - 6 p.m., EST, Saturday

1-800-986-3460

HOMEDEPOT.COM/HOMEDECORATORS

THANK YOU

We appreciate the trust and confidence you have placed in Home Decorators Collection through the purchase of this Grantley Ivory Dresser. We strive to continually create quality products designed to enhance your home. Visit us online to see our full line of products available for your home improvement needs.

Thank you for choosing Home Decorators Collection!

Table of Contents

Table of Contents	2	Tools Required	3
Safety Information	2	Hardware Included	4
Warranty	2	Pre-assembly (continued)	6
3 Year Warranty	2	Package Contents	6
What is Covered	2	Assembly	8
What is Not Covered	2	Maintenance	23
Pre-assembly	3	Care and Cleaning	23
Planning Assembly	3		

Safety Information



DANGER

- Keep small parts away from children during assembly.
- Read and follow instructions carefully.



WARNING

- TO GUARANTEE THE SAFE USE OF THIS PRODUCT, FOLLOW THE WARNINGS, GUIDELINES AND RECOMMENDATIONS IN THIS MANUAL.
- Adult assembly required.
- Small parts may present choking hazard prior to assembly.



CAUTION

- Do not use power tools to assemble your furniture. Power tools may strip or damage parts/product.
- Do not overtighten connectors (screws, bolts, etc.). Overtightening can lead to product damage.
- Be sure to check all packing materials carefully for small parts that may have come loose inside the carton during shipment. If parts are missing, contact THE HOME DEPOT to obtain any missing parts.
- DO NOT USE SUBSTITUTE PARTS.
- This product should only be used on a flat, level surface.
- Some assembly may involve attaching glass or mirrors.
- Be very careful handling the glass or mirrors, as severe injury may result if the glass or mirror breaks.
- Never handle large pieces of glass or mirrors by yourself.
- Assembly requires two people; assembly alone may cause injury.

Warranty

3 YEAR WARRANTY

WHAT IS COVERED

We guarantee this product to be free of manufacturing defects to the original purchaser for three years.

WHAT IS NOT COVERED

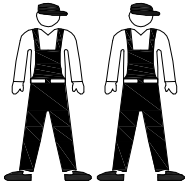
This warranty does not cover commercial use, acts of nature, and abusive use.

Pre-assembly

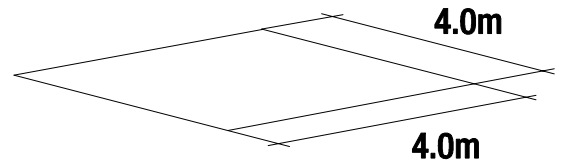
ASSEMBLY TIPS

1. Remove hardware from hardware pack and sort by size
2. Please check to see that all hardware and parts are present prior to start of assembly.
3. Please follow attached instructions in the same sequence as numbered to assure fast&easy assembly,

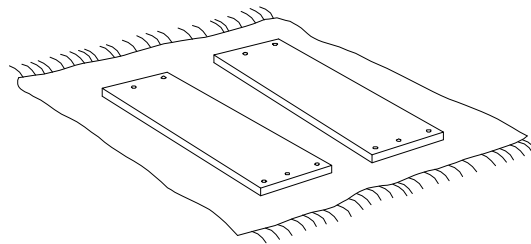
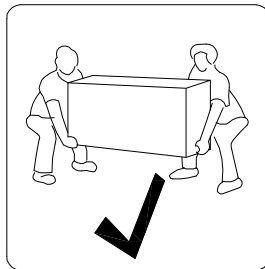
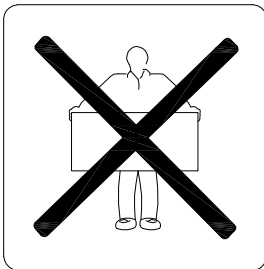
ASSEMBLY TIME & RECOMMENDED SPACE FOR ASSEMBLY



1.5 hr



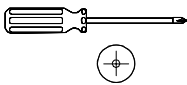
PRODUCT PROTECTION DURING ASSEMBLY



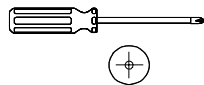
PLANNING ASSEMBLY

Keep children and pets away from build area. Make sure your area is large enough to unpack, sort and assemble the unit.

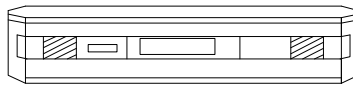
TOOLS REQUIRED



Small head
Phillips
Screwdriver
(Not Included)



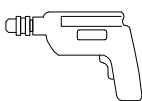
Large head
Phillips
Screwdriver
(Not Included)



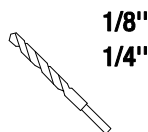
Level
(Not Included)

Protective Glasses
(Not Included)

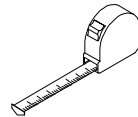
TIPPING RESTRAINT MECHANISM ASSEMBLY



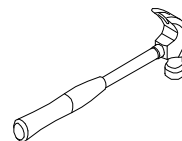
Drill Machine
(Not Included)



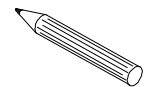
Drill Bit
(Not Included)



Tape Measure
(Not Included)



Hammer
(Not Included)



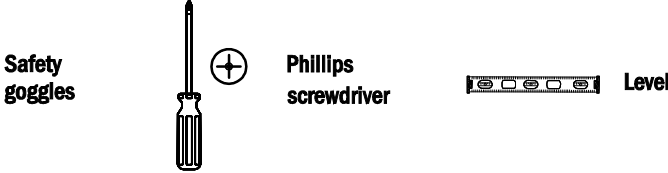
Pencil
(Not Included)

Pre-assembly

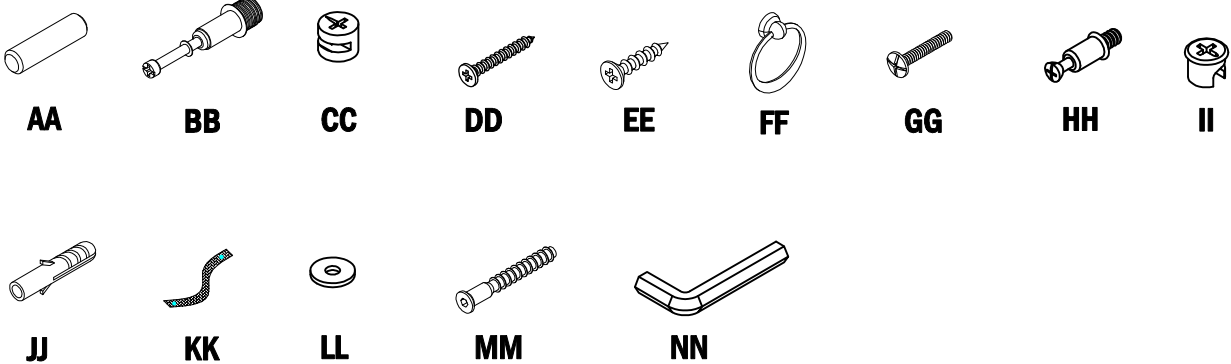
PLANNING ASSEMBLY

- Remove all Packaging materials , staples and packing straps form the carton .
- Refer to Parts List and Hardware List , and ensure parts and hardware are correct before assembly .
- Contact customer service for missing parts .
- Place all wooden parts on a clean , flat , and soft surface (e.g.carpet or rug) to prevent scratch and damage to parts .

TOOLS REQUIRED



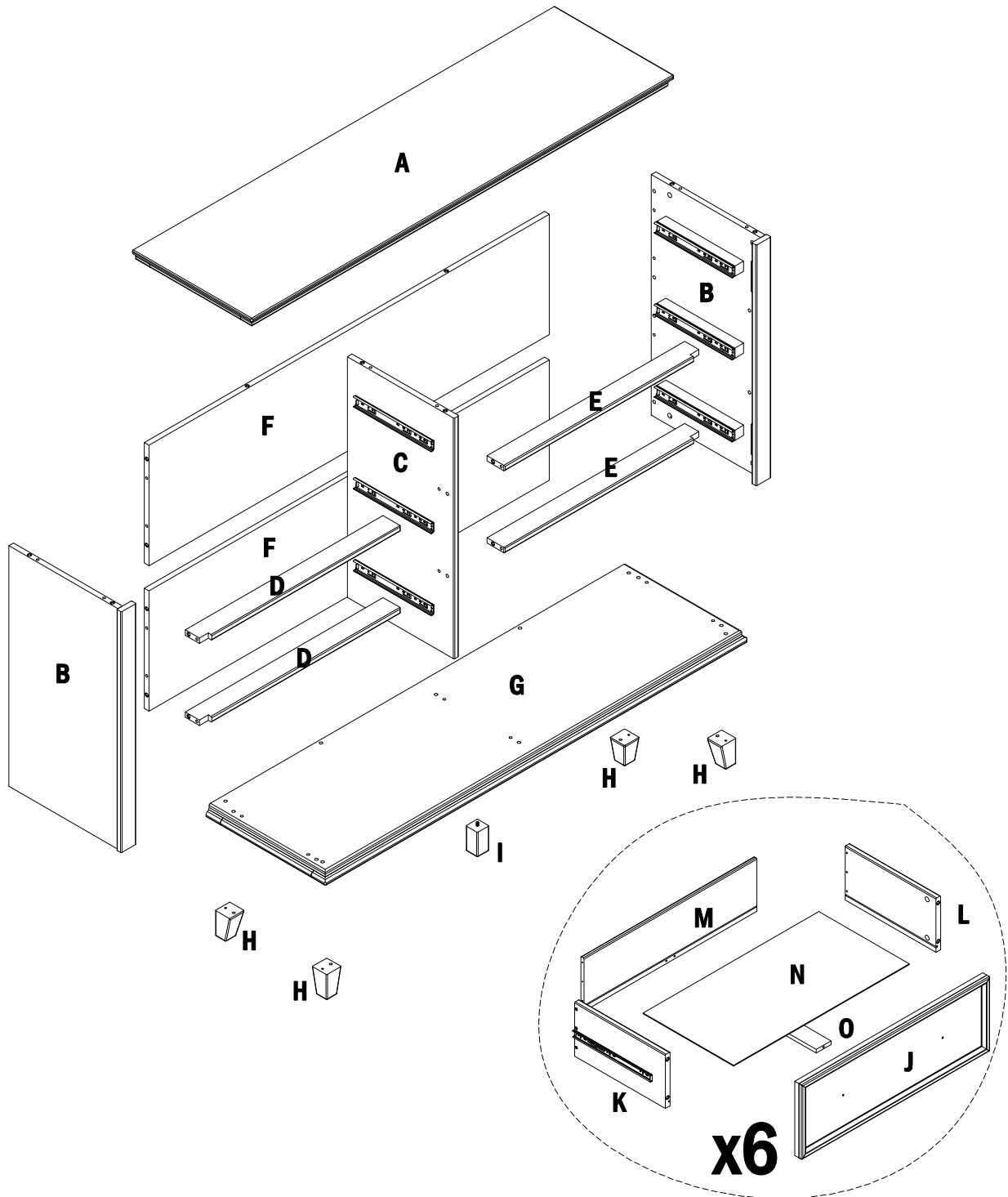
HARDWARE INCLUDED



Part	Description	Size (mm)	Quantity
AA	WOOD DOWEL	8 x 30	32+1Extra
BB	CAM BOLT D15	10 x 46	56+4Extra
CC	CAM-LOCK D15	15 x 12	56+4Extra
DD	SCREW (M3.5*30)	3.5 x 30	38+1Extra
EE	SCREW (M3.5*25)	3.5 x 25	14 +1Extra
FF	KNOBS	NA	12
GG	SCREW	5*19.1	12+1Extra
HH	CAM BOLT D12	7*27	6+2Extra
II	CAM-LOCK D12	12*9.5	6+2Extra
JJ	ANCHOR	6 x 30	2
KK	STRAP	NA	2
LL	WASHER	6 x 18	4+1Extra
MM	SCREW	7 x 60	4+1Extra
NN	ALLEN KEY	NA	1

Pre-assembly (continued)

PACKAGE CONTENTS



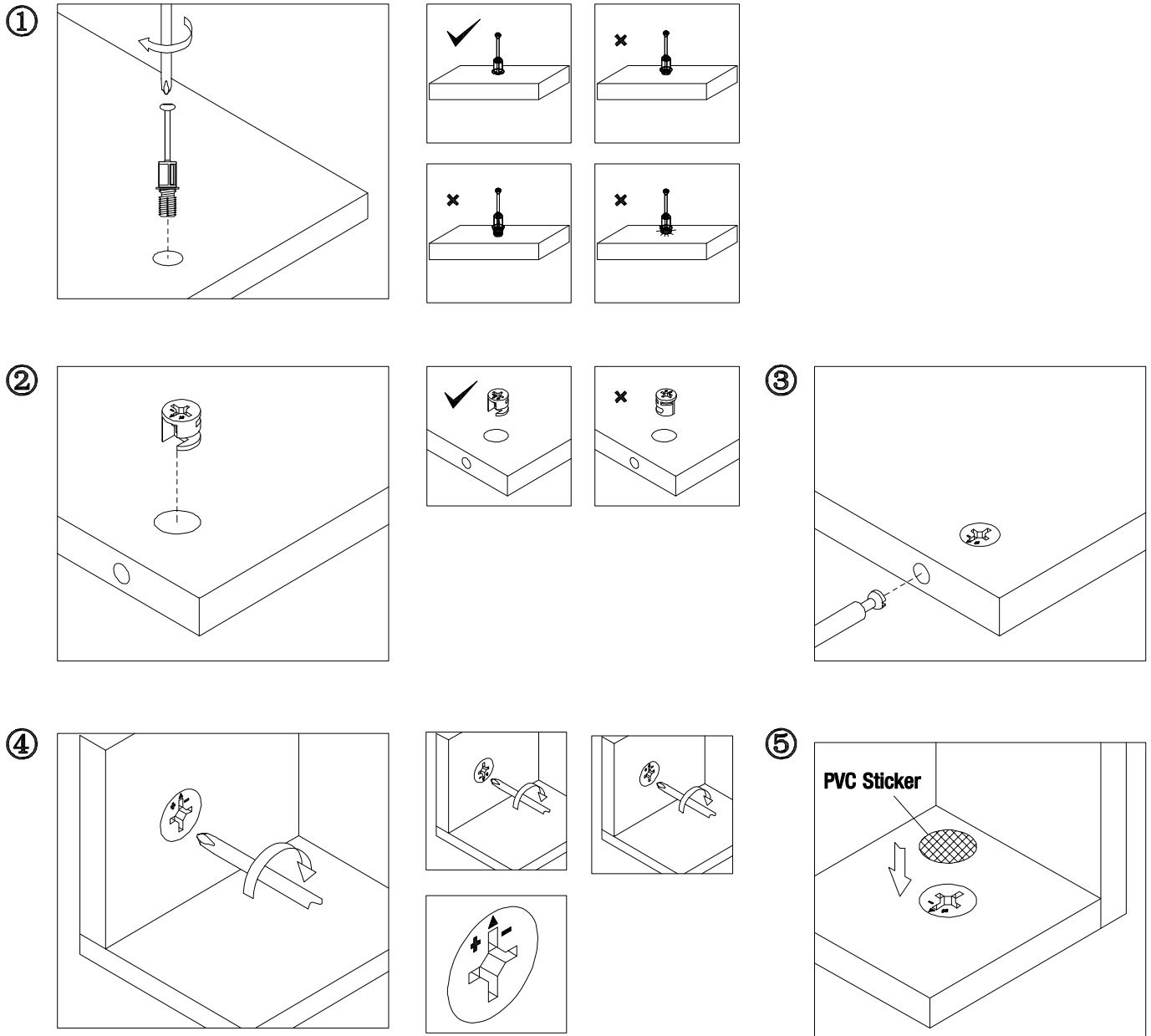
Pre-assembly (continued)

PACKAGE CONTENTS

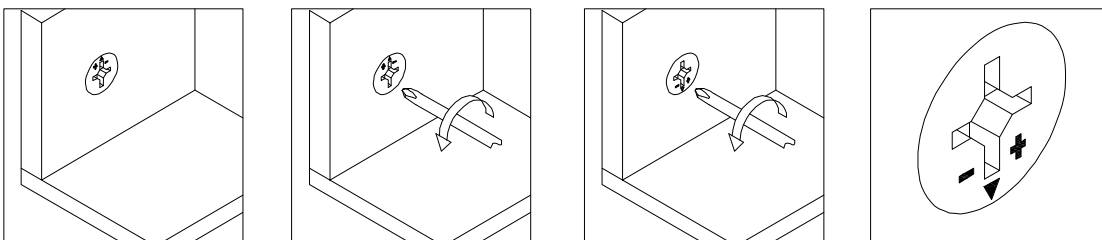
Part	Description	Quantity
A	TOP PANEL	1
B	SIDE PANEL	2
C	MIDDLE SIDE PANEL	1
D	LEFT FRONT BAR	2
E	RIGHT FRONT BAR	2
F	BACK PANEL	2
G	BOTTOM PANEL	1
H	LEGS	4
I	MIDDLE LEG	1
J	DRAWER FRONT PANEL	6
K	DRAWER LEFT PANEL	6
L	DRAWER RIGHT PANEL	6
M	DRAWER BACK PANEL	6
N	DRAWER BOTTOM PANEL	6
O	DRAWER SUPPORT BAR	6

CAM Fastening system

ASSEMBLY



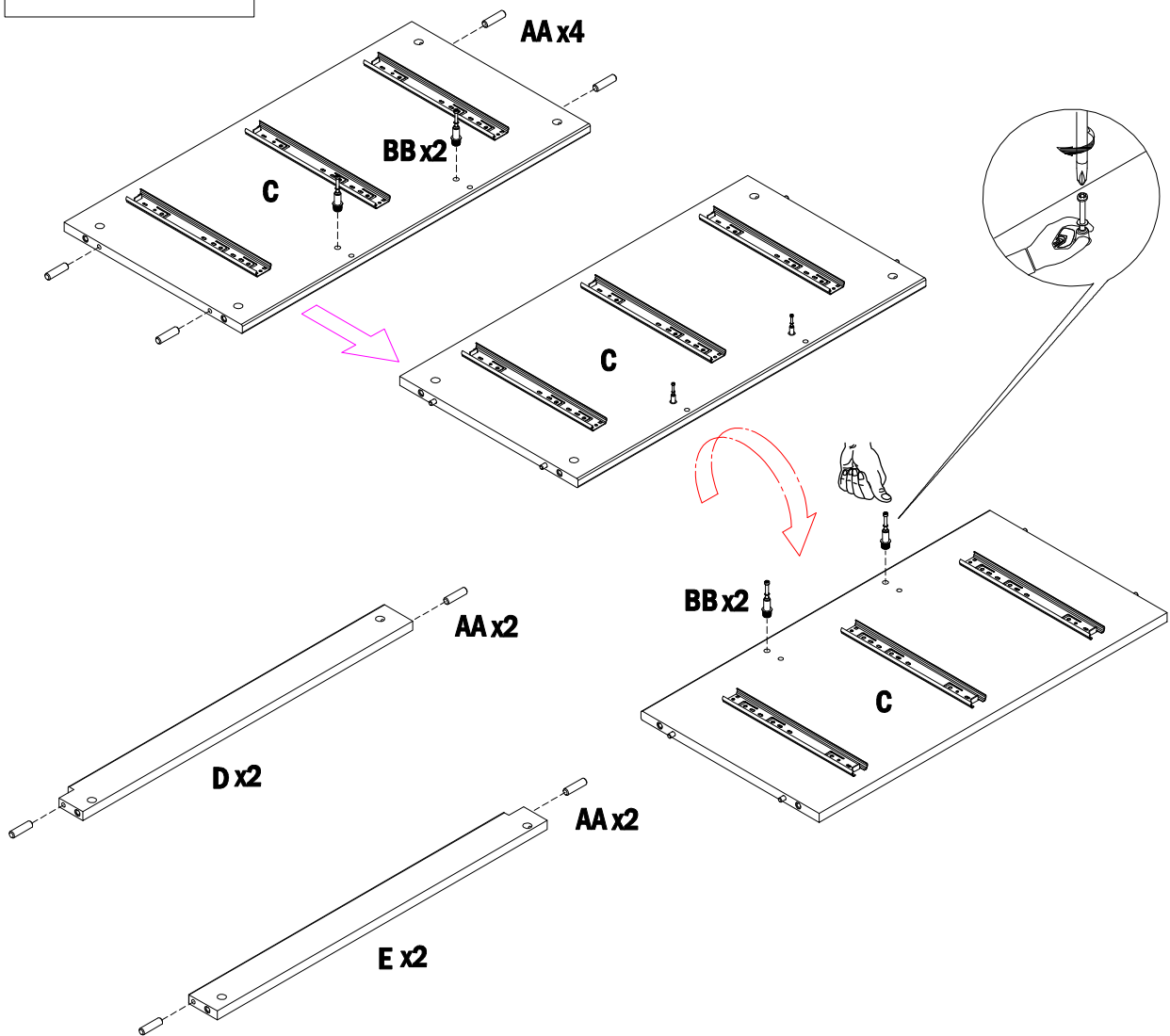
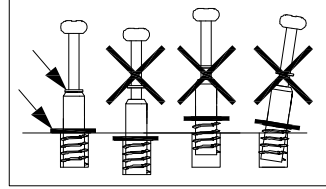
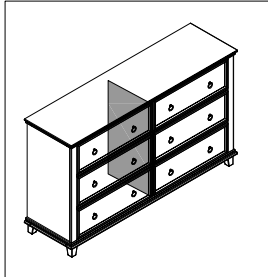
DIS-ASSEMBLY



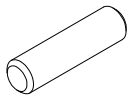
Assembly

1 MIDDLE SIDE PANEL (C) AND FRONT BAR (D&E) ASSEMBLY

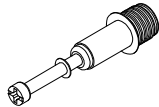
□ Coponents , dowels, cam bolts preparation



AA x 12

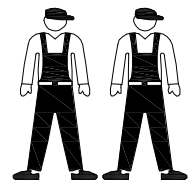
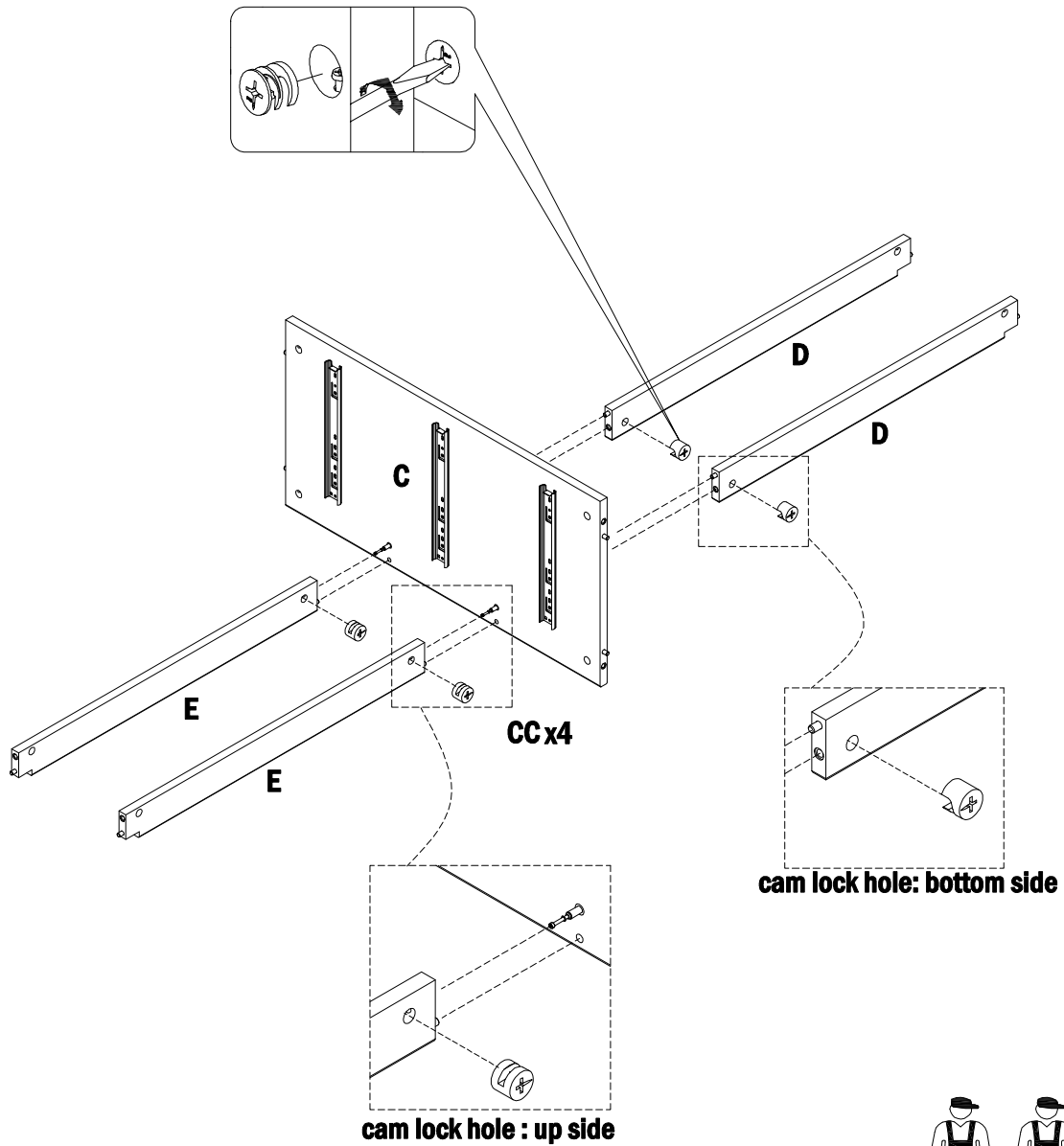


BB x 4



Assembly

Pay attention to the cam lock and cam bolts placement on D&E.



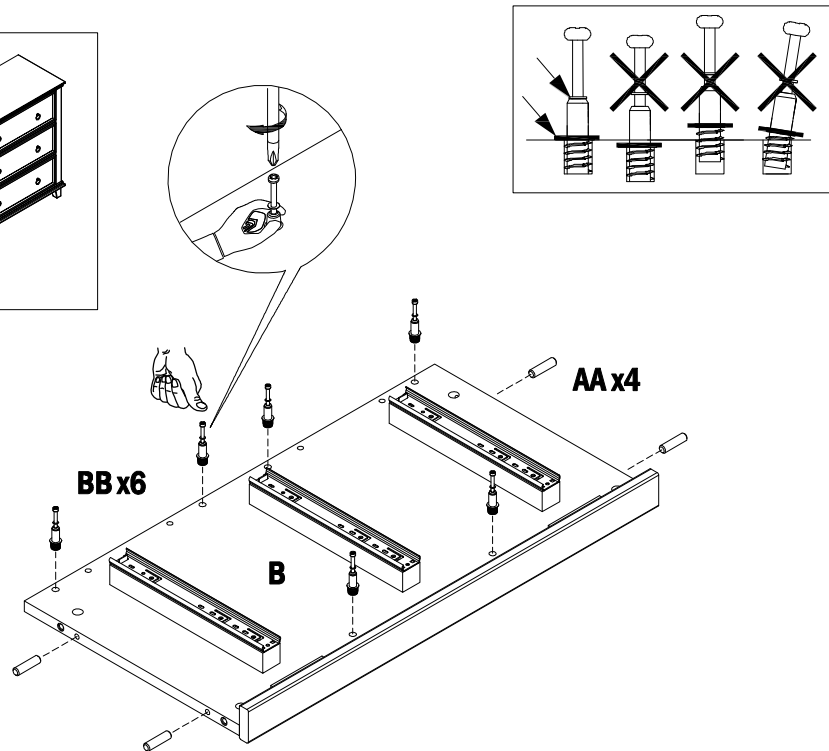
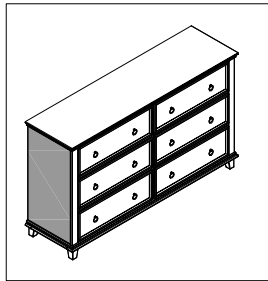
CC x 4



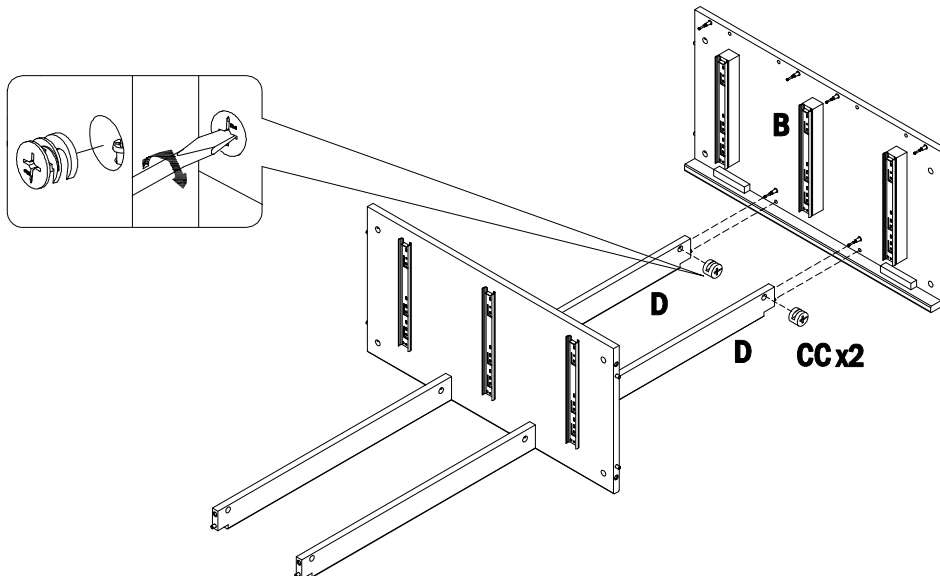
Assembly

2 LEFT SIDE PANELS ASSEMBLY

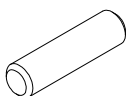
□ Components , dowels, cam bolts preparation



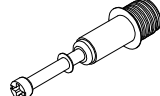
Attach left side panel (B) to the other side of left front bar(D) via cam lock(CC).



AA x 4



BB x 6



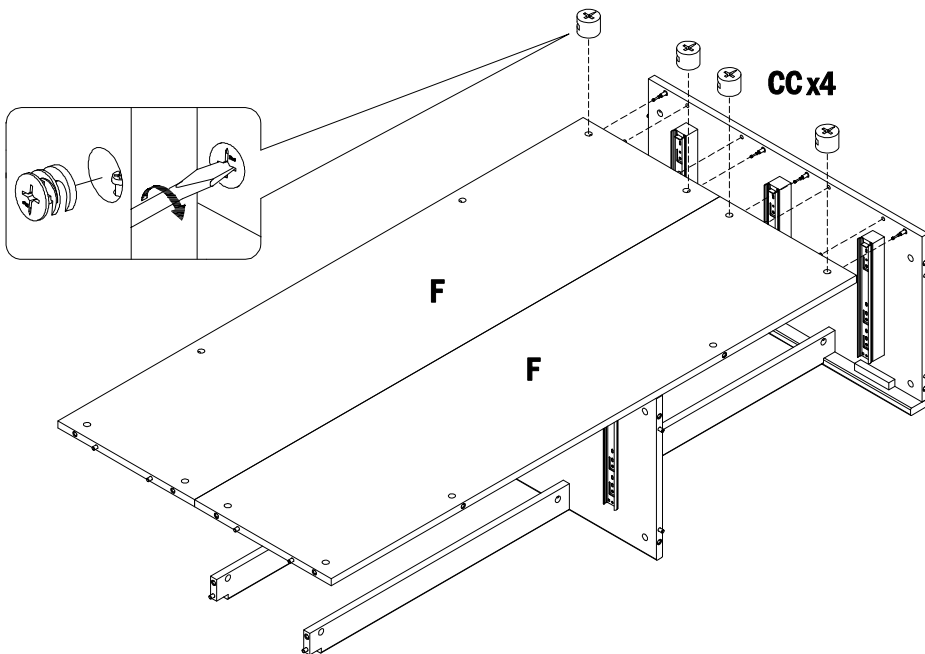
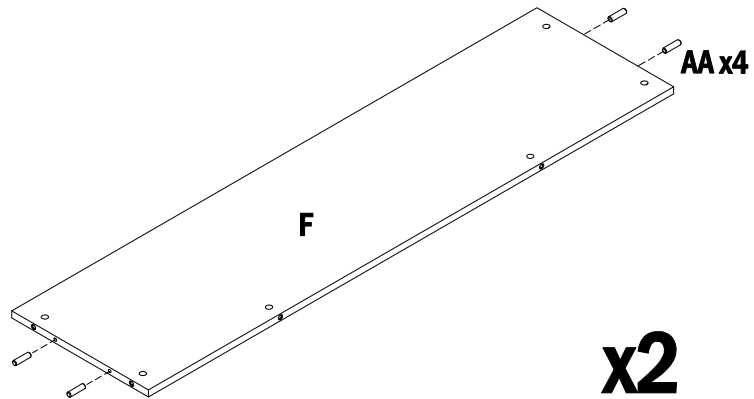
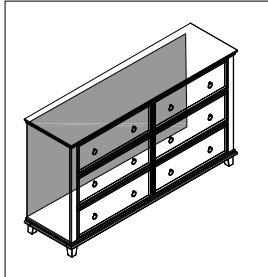
CC x 2



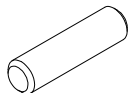
Assembly

3 BACK PANEL ASSEMBLY

□ Coponents , dowels, cam bolts preparation



AA x 8

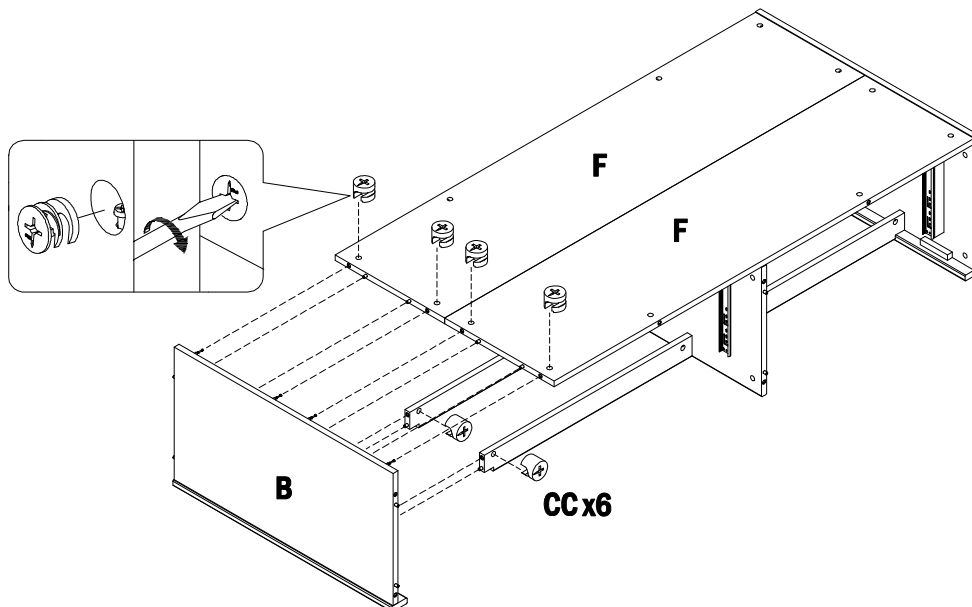
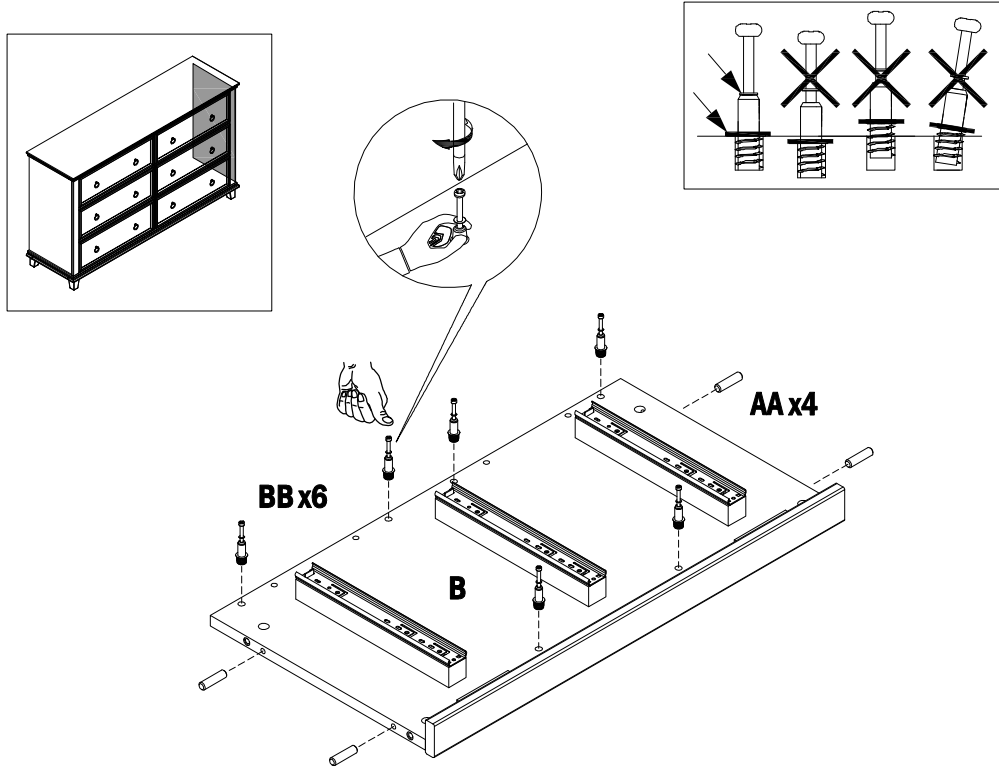


CC x 4

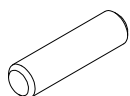


Assembly

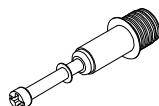
4 RIGHT SIDE PANELS ASSEMBLY a) Coponents , dowels, cam bolts preparation



AA x 4



BB x 6

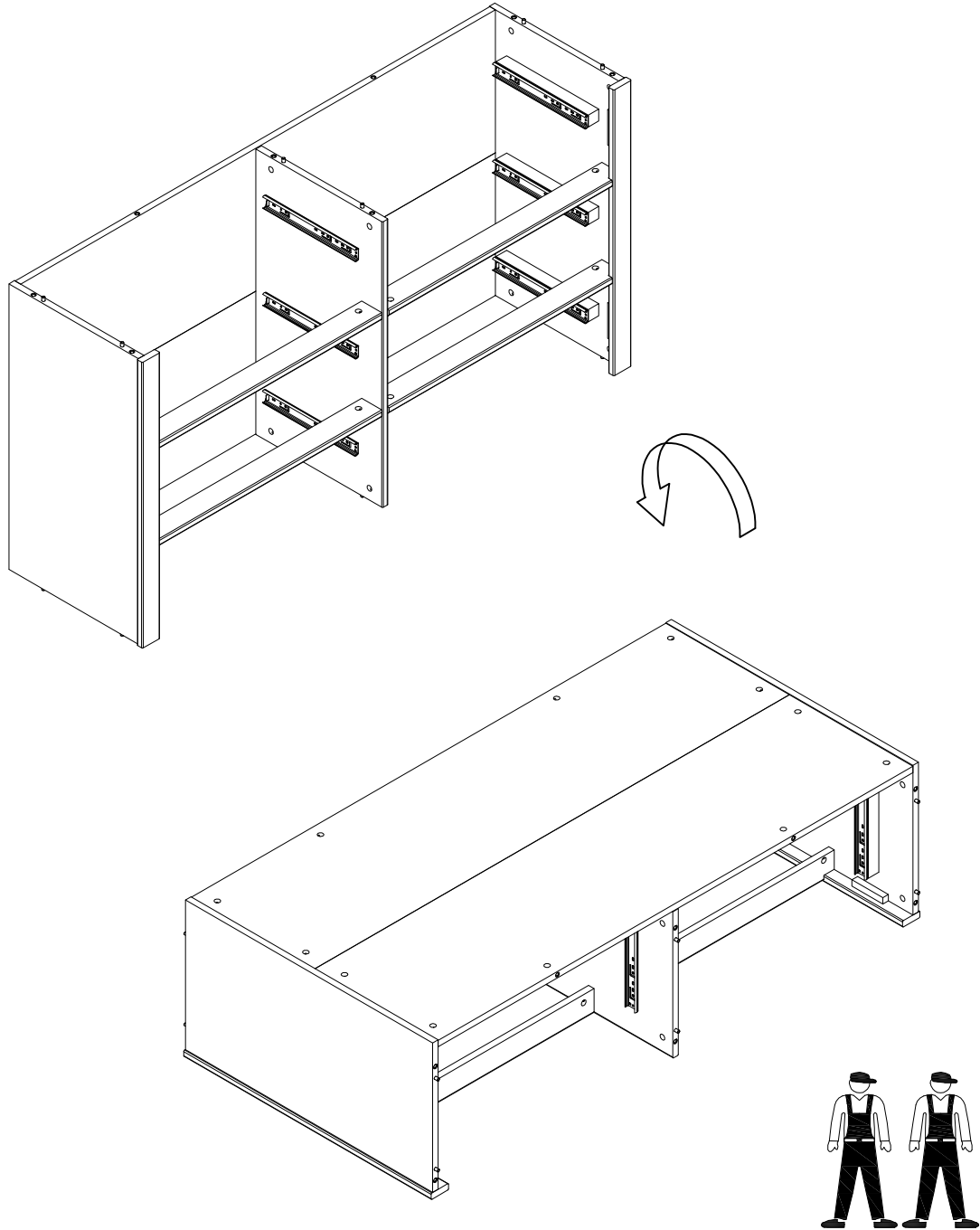


CC x 6



Assembly

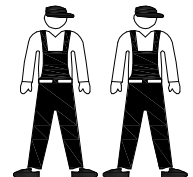
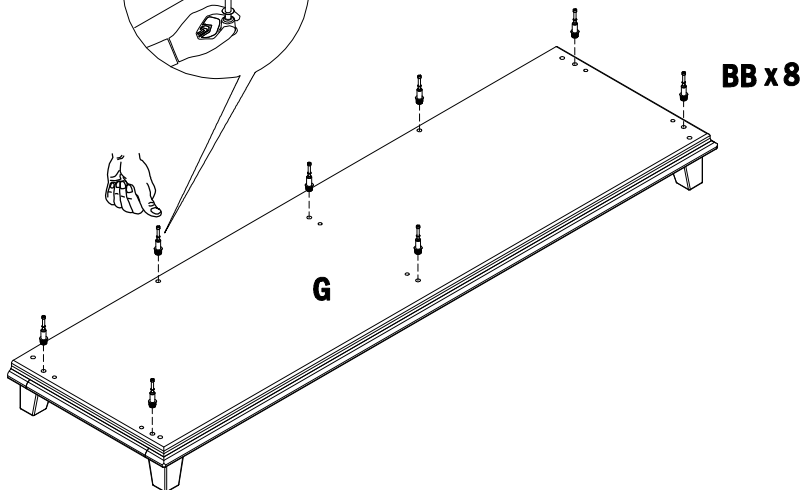
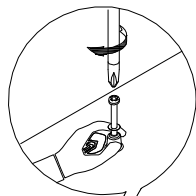
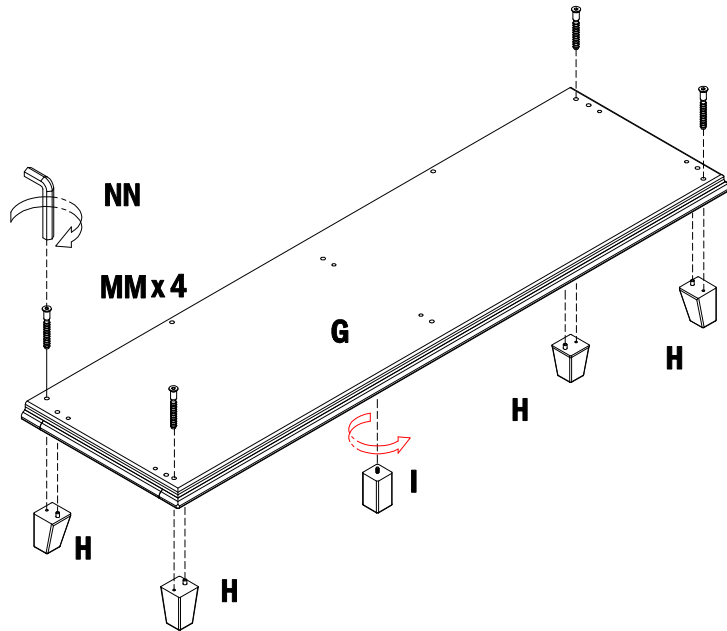
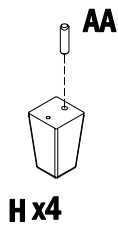
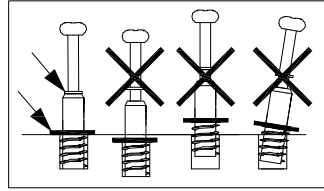
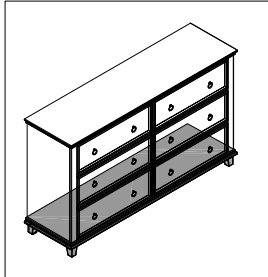
b) Turn unit upside .



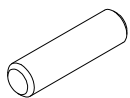
Assembly

5 BOTTOM PANEL AND LEGS ASSEMBLY

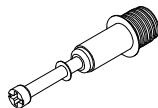
a) Coponents , dowels,cam bolts preparation



AA x 4



BB x 8



MM x 4

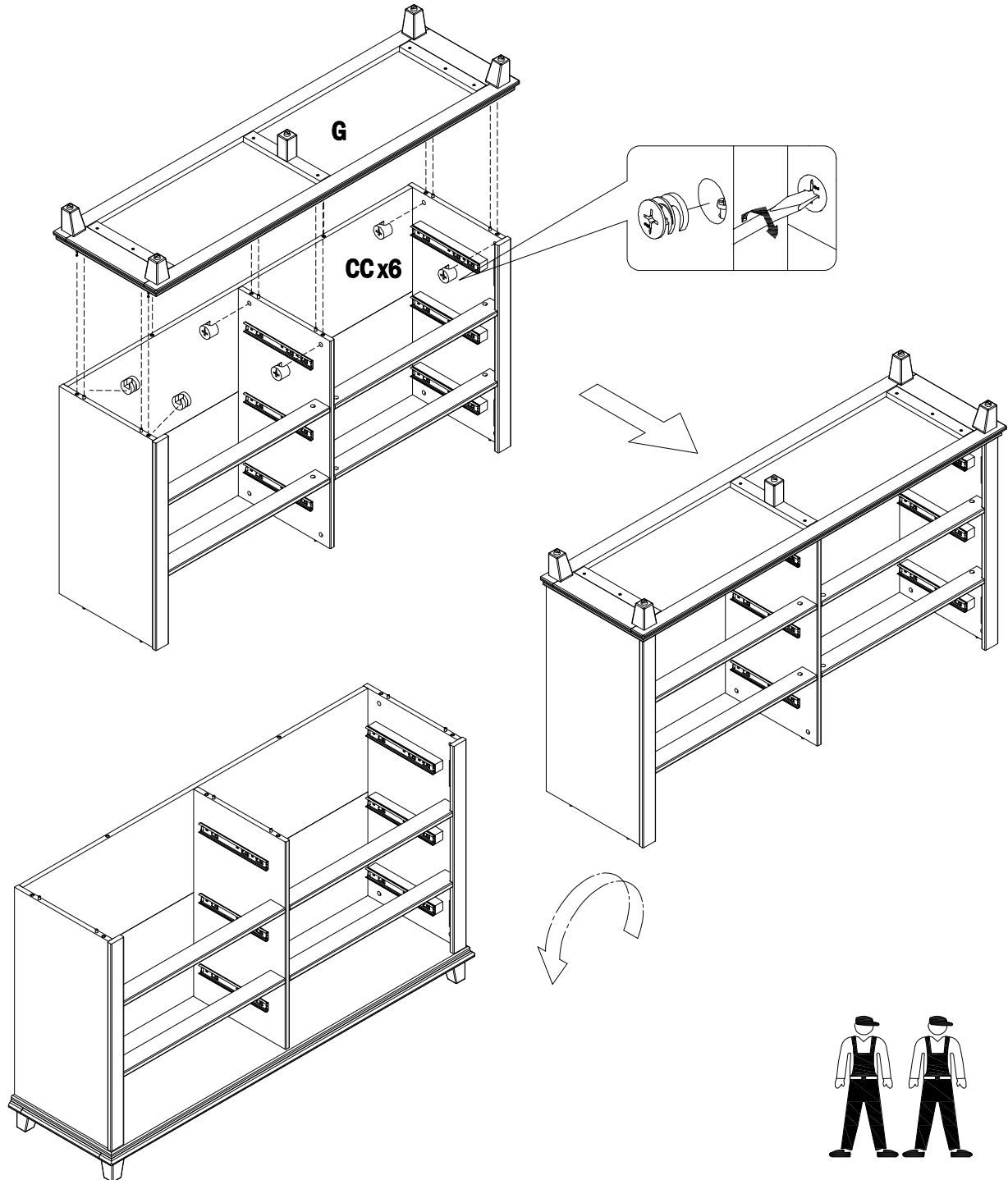


NN x 1



Assembly

b) Attach bottom panel to pre-unit by using cam lock(CC)



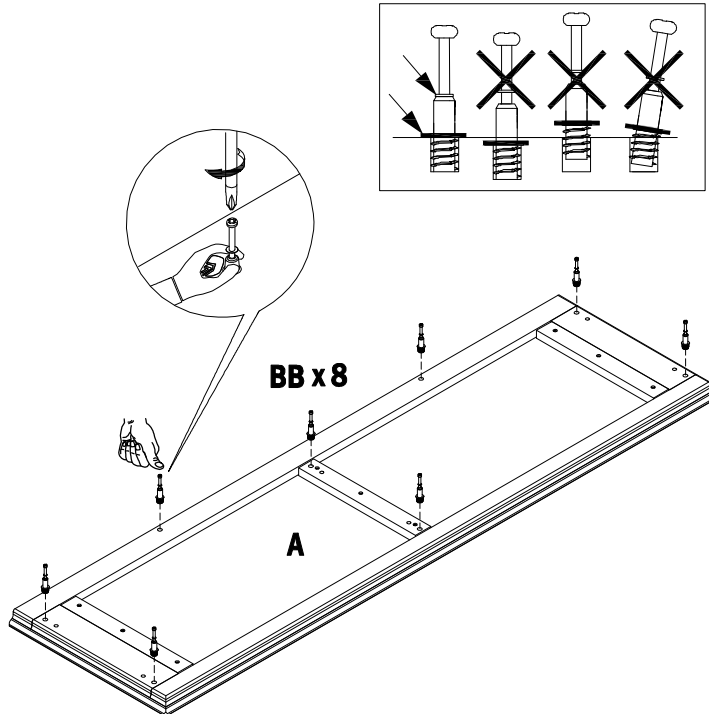
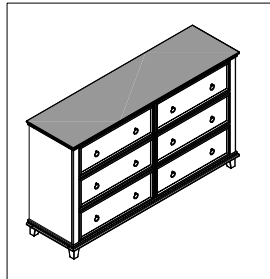
CC x 6



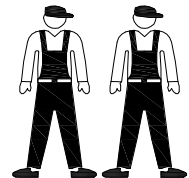
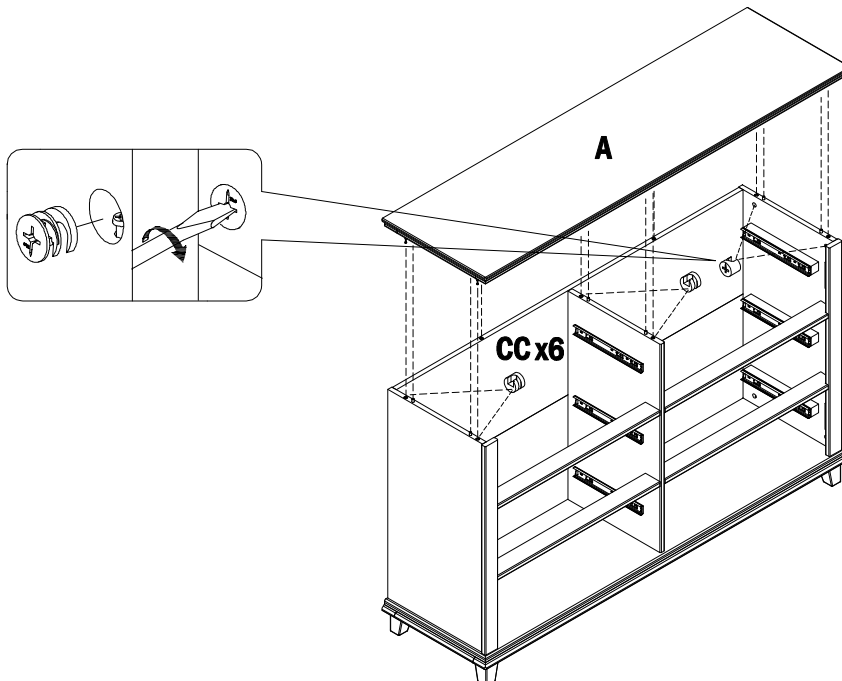
Assembly

6 TOP PANEL ASSEMBLY

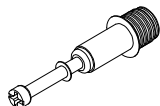
□ Components , dowels, cam bolts preparation



Attach top panel(A) to pre-unit on step 10 by using cam lock(CC)



BB x 8

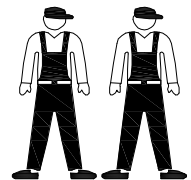
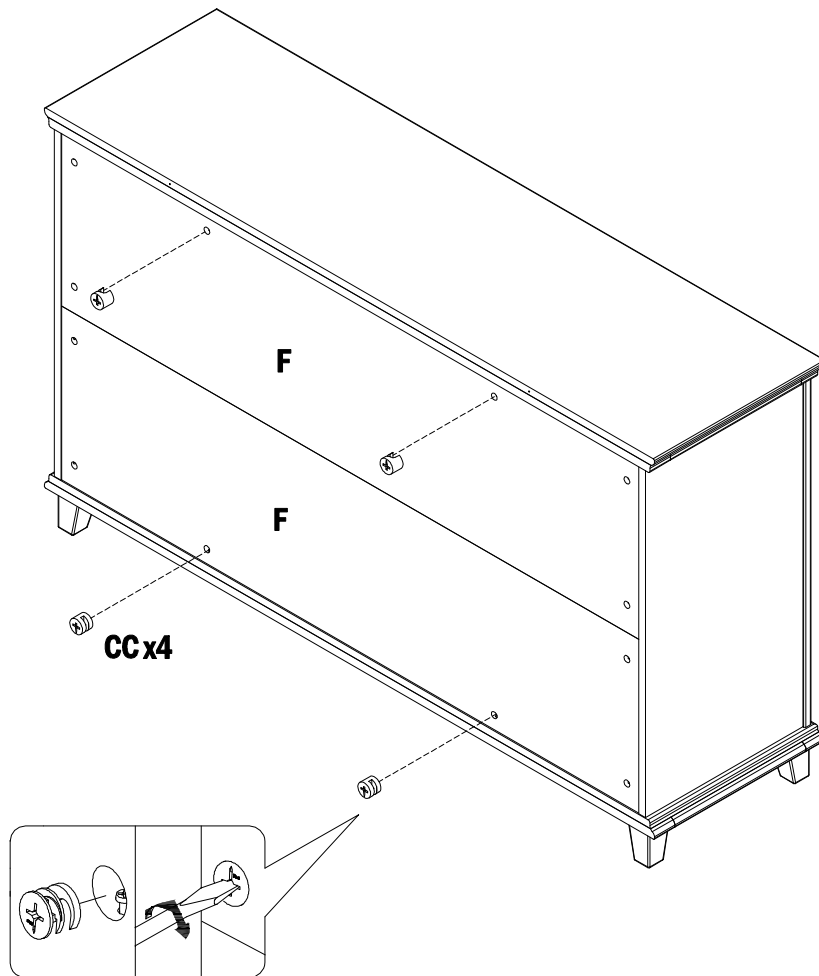


CC x 6



Assembly

7 TIGHTEN BACK PANELS



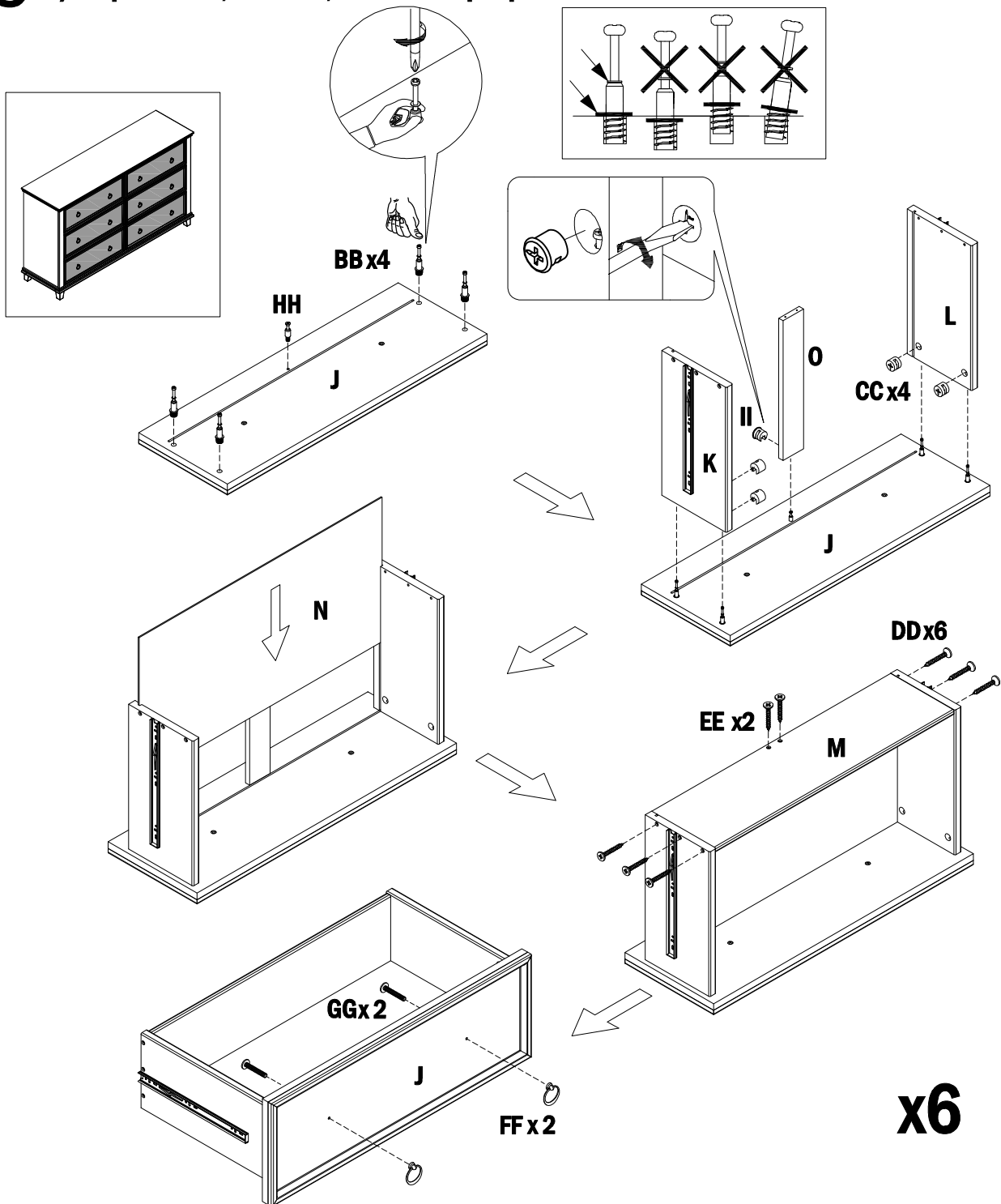
CC x 4



Assembly

DRAWERS ASSEMBLE

8 a) Coponents , dowels, cam bolts preparation



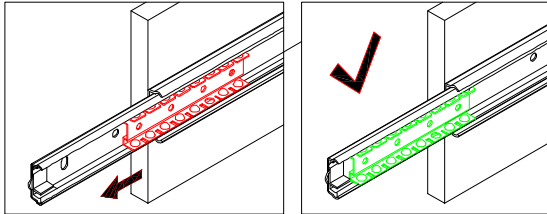
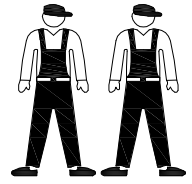
x6

BB x 24 CC x 24 DD x 36 EE x 12 FF x 12 GG x 12 HH x 6 II x 6

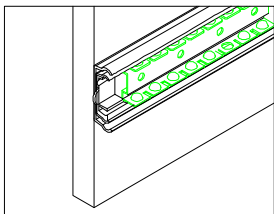


Assembly

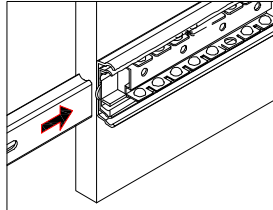
b) Attach drawers on the slide.



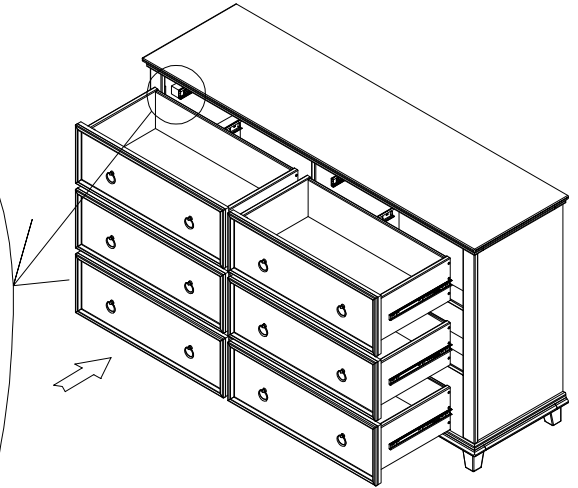
1. Pull out slide. Slide bearings forward.



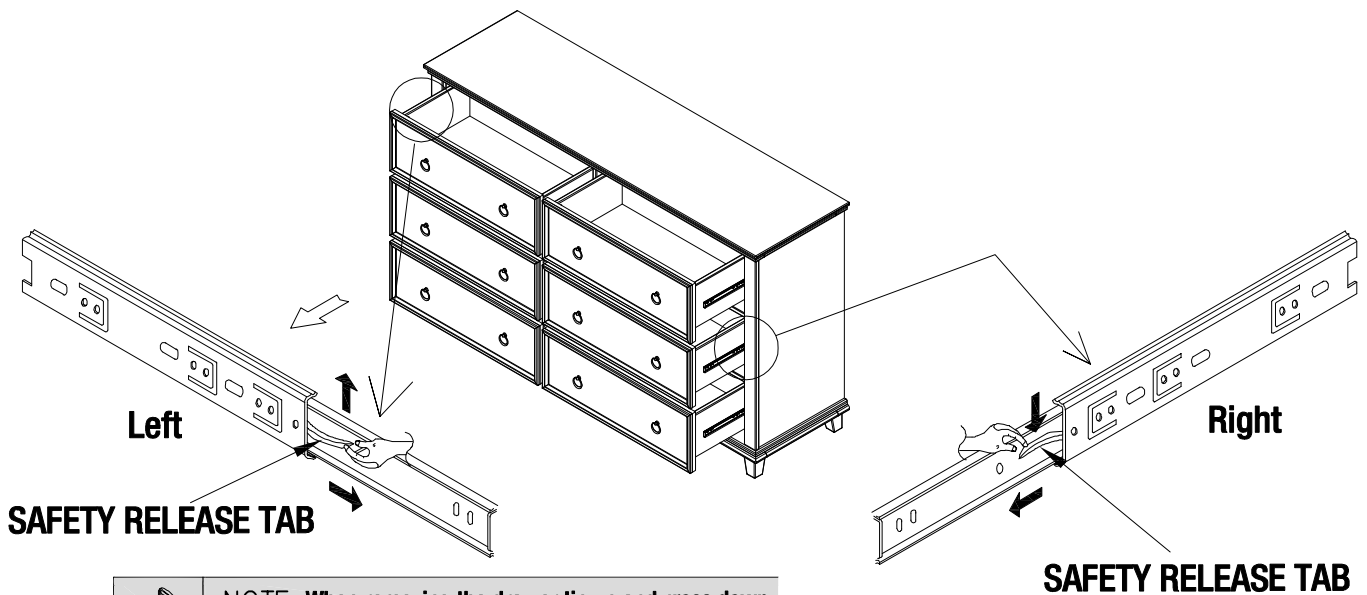
2. Push slide back inside.
Repeat for every slide!



3. Insert into slide slot correctly,
push the drawer into the
cabinet body with even force



NOTE: Make sure the slide piece is at the front end of the glide when installing the drawer into the body.

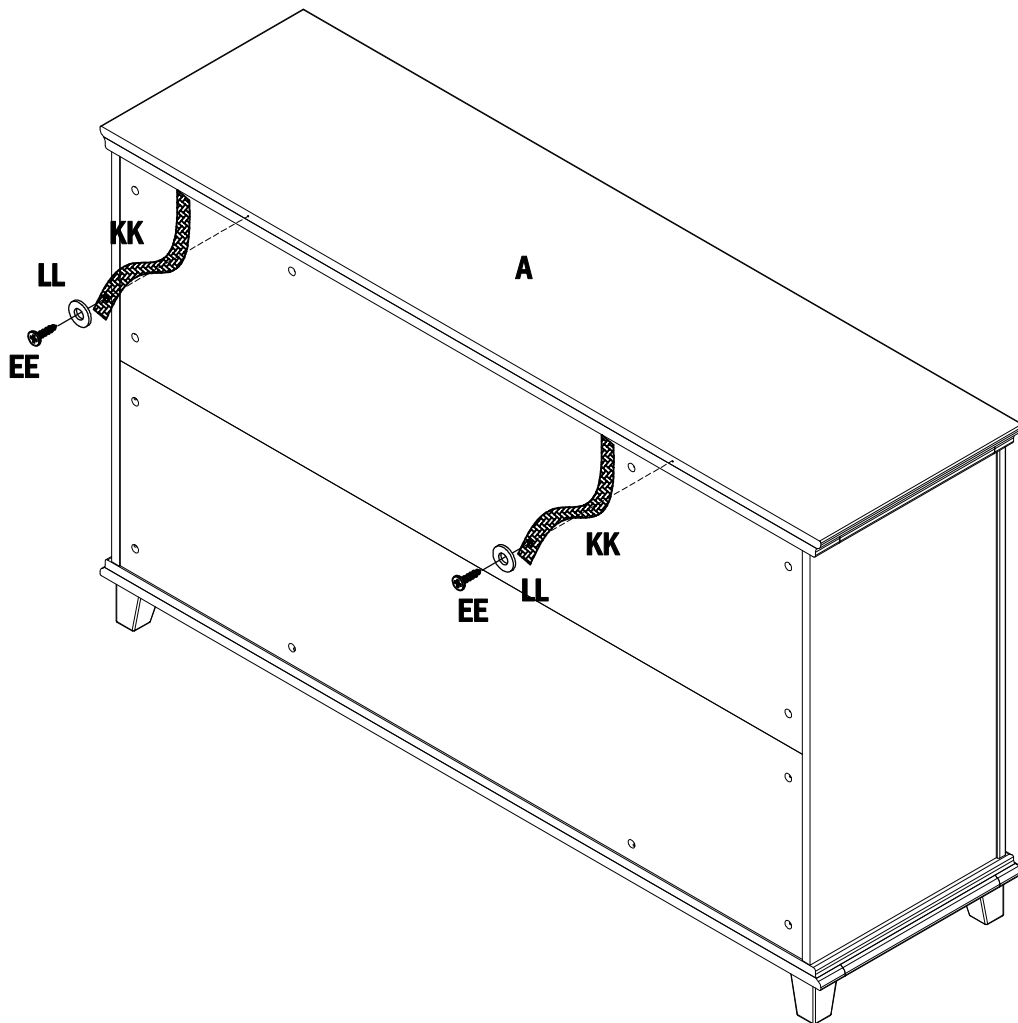


NOTE: When removing the drawer, tip up and press down the safety release tab to remove the drawer from the body

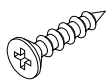
Assembly

9

STRAP (KK) ASSEMBLY



EE x 2



KK x 2



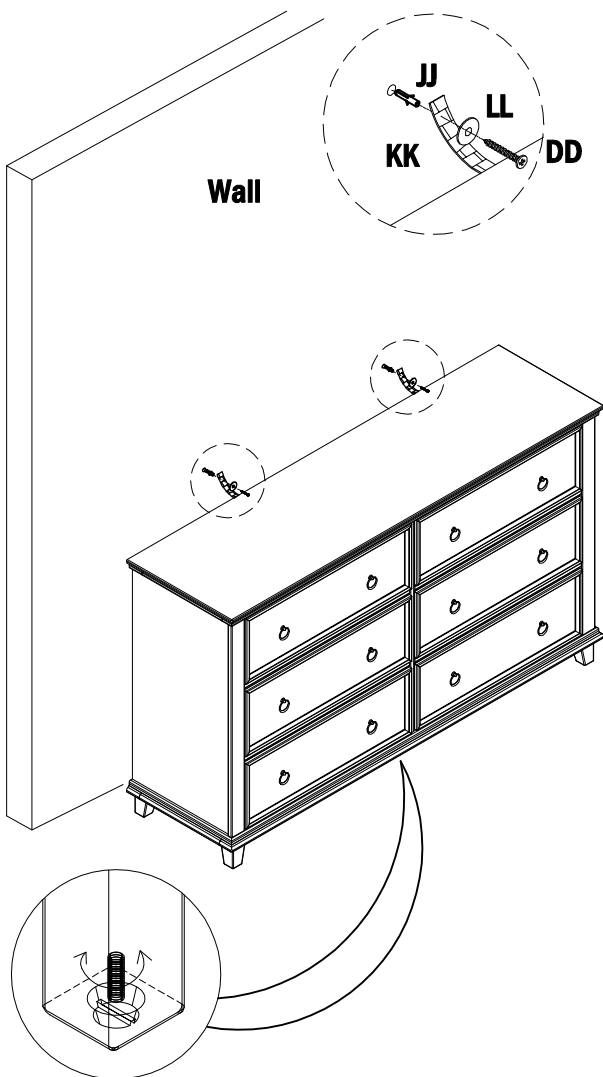
LL x 2



Assembly

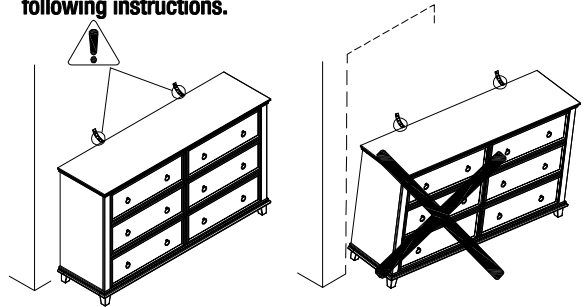
10 FIXING TO WALL

- drill a hole in the wall to fit anchor snugly and insert (JJ).
- affix strap (KK) to the anchor by using screw (DD) and washer (LL)
- adjust the lever on legs to make sure the unit is stable on floor.



Safety notice

The consumer product safety commission recommends anchoring furniture in homes where children live or visit. In order to protect you and your family the manufacturer of this product has included an easy to install safety device. Please make sure that it is installed according to the following instructions.



Wall mounting hardware

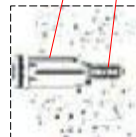
(DD)

- For walls constructed of wood with drywall
- with a pencil mark location of holder position
- Drill pilot hole using a 1/8 inch drill bit 2 inches deep
- Attach holder to wall using the 2 inch screw provided



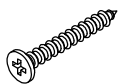
(JJ) (DD)

- For walls constructed of concrete
- with a pencil mark location of holder position
- Drill pilot hole using a 1/4 inch drill bit 2 inches deep
- Using a rubber mallet or hammer insert wall anchor into predrilled hole
- Attach holder to wall anchor using 2 inch screw provided

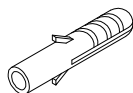


Ask local hardware store for proper hardware if your wall is constructed of materials not as listed

DD x 2



JJ x 2



LL x 2



Maintenance

- Keep the product away from direct heat and sunlight .
- Prolonged exposure to heat sources may cause scorching, or even cause color to fade .
- Regular vacuuming or light brushing helps to remove dirt and prevent soil build-up, which increases the appearance of wear .
- Periodically (every 90 days) make sure that the screws are fully tightened .

Care and Cleaning

- Handle with care.
- Use a slightly damp cloth to clean the product. Do not use bleach or use abrasive cleaning material .
- Check all the fittings periodically and re-tighten as necessary. Do not use the product if any of the parts are damaged or broken .
- Never allow any kind of liquid to remain on your furniture .
- Absorption can make wood warp or delaminate .
- Do not place hot items (e.g. hot drinks) directly onto the wood surface.
- Do not drag and /or pull the furniture .
- Never use harsh chemicals or solvents on your product as this may damage the metal .
- Marks and stains from pens, crayons and ink markers are difficult to remove. In the event that your products become permanently stained, we recommend that you consult a professional .

Troubleshooting

PROBLEMS	SOLUTIONS
Not all of the product's legs touch the floor	Make sure adjustable center feet levelers are adjusted properly. The levelers are preassembled on the bottom of the legs
	The product is KD construction. You may need to loosen the bolts and place the product on a flat surface. Ensure that the legs all touch the flat surface and then re-tighten the bolts.
	Loosen all the bolts and apply some weight to the product to get all the feet to touch the floor. Then re-tighten the bolts in that position.
Panel can not be assembled	Make sure panel is on right direction.
Door can not be closed or without magnetic	Adjust the magnetic clamp, make sure it is assembled on appropriate position.
Doors are not flat	Adjust hinges on the appropriate position.
Drawers cannot pull in or pull out smoothly	Refer assembly instruction details to assemble drawers, and pull in and pull out drawers several times gently
Drawer cannot be removed	When removing the drawer, tip up and press down the safety release tab to remove the drawer from the body.

HOME
DECORATORS
COLLECTION®

**Questions, problems, missing parts? Before returning to the store,
call Home Decorators Collection Customer Service.
8 a.m. - 7 p.m., EST, Monday - Friday, 9 a.m. - 6 p.m., EST, Saturday**

1-800-986-3460

[HOMEDEPOT.COM/HOMEDECORATORS](https://www.homedepot.com/homedecorators)

Retain this manual for future use.