

**Slant/Fin**

# Revital/Line®

Aluminum Baseboard Replacement Cover

**Use to Revitalize your Aging Hydronic Baseboard!**

## Before You Order: Measure and Preparation

Important to wear safety glasses and gloves before removing old front panel, damper and accessories.

1. Remove existing baseboard End Caps and Inside Corner Pieces. (Figure 1).
2. Measure Front Panel Cover from top to floor, top to bottom of element, and end to end with a tape measure. (Figures 2,3)



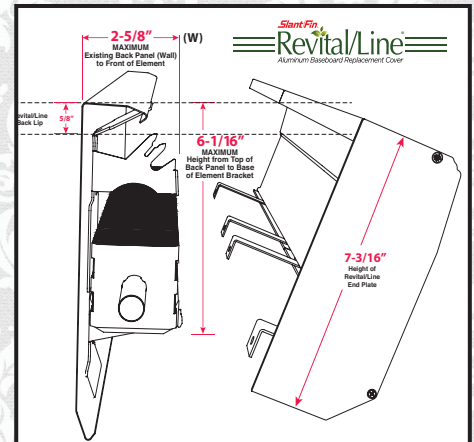
Figure 1



Figure 2



Figure 3



Now you're ready to order your Revital/Line® Replacement Covers. Go [HERE](#) to purchase from our selected distributors.

3. Remove the old baseboard Front Panel Cover by lifting from the bottom to unhook from the bracket. Remove damper by either sliding off from open end or by holding at each bracket point and snapping off from the pivot. (Figures 4,5).
4. If the old baseboard length is the same as a standard length Revital/Line® Cover, use the standard length Revital/Line® Cover and End Plates/Solid End Caps. Attach End Plates, (if chosen), placing them against the end of the Revital/Line® Cover using Phillips Head screws supplied. Use smaller #4-40 Phillips Head screw at the bottom of Cover and larger #6 Phillips Head screw (See figure 8) for the top of the End Plate.

All of the other accessories are installed without tools by placing them over the Revital/Line® Cover, once in place. When more than one cover is used, the seam between the covers can be hidden by using one of the filler sleeves (2", 4", 7" or 14"). All accessories are sold separately.



Figure 4



Figure 5

From the World's Leader in Baseboard Heaters Since 1949! • [www.slantfin.com](http://www.slantfin.com)

**Slant/Fin**  
BOILERS & BASEBOARD  
We Build Trust and Comfort

5. If the old baseboard cover length is a different size from a standard length Revital/Line® Cover, install the standard length Revital/Line® Cover sections together until you get the same length as the old baseboard cover. If you need additional length, you can add a 2", 4", 7" or 14" filler sleeve. Since the filler sleeves are telescoping, they will fill in less than their dimension size. Other accessories are available to finish your installation (Figure 6).
6. You may need to loosen the old baseboard from the wall in order to slip the Revital/Line® Cover behind it by loosening the screws that hold the old back panel onto the wall. If the existing back panel is sealed to the wall by paint, the seal to the wall can be broken with putty knife or similar tool.
7. If you are installing Revital/Line® with an existing back panel, including the heating element, simply use the plastic wall spacers supplied by placing them over the element as shown in (Figure 7). (Not supplied with Revital/Line XL)



Figure 6

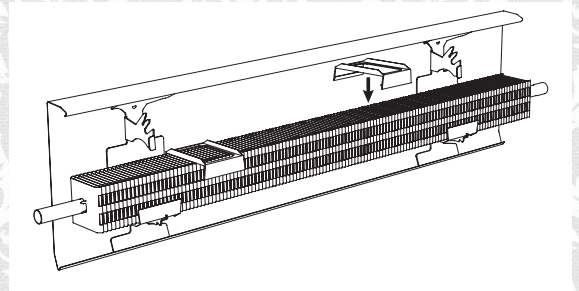


Figure 7

\*Metal brackets are needed only when existing cover has no heating element. Use the metal wall Support Brackets supplied with Revital/Line® by sliding brackets into bottom slot of Revital/Line® Cover until they are in the position desired to space the Revital/Line® Cover from the wall. See below for quantities of spacers and brackets included.

Revital/Line® Cover length, Plastic Spacers & Support Bracket Quantity	2' to 3-1/2'	4' to 5'	6' to 8'
	2	3	4

8. When using support Brackets, position new assembled cover with wall brackets below piping, then lift into place so that top lip of new Cover goes behind back panel of the old baseboard. (See Figure 8)
9. Care should be exercised to insure that it isn't scratched or damaged while pressing it into place behind old baseboard back panel. Join covers, as described in step 4.

Attach accessories chosen to Revital/Line® Cover, as in step 4. For added support, attach brackets with SPX #10 self-drilling screws provided into the old baseboard back panel using an electric drill with a 5/16" Hex Head Bit. (See Figure 9).

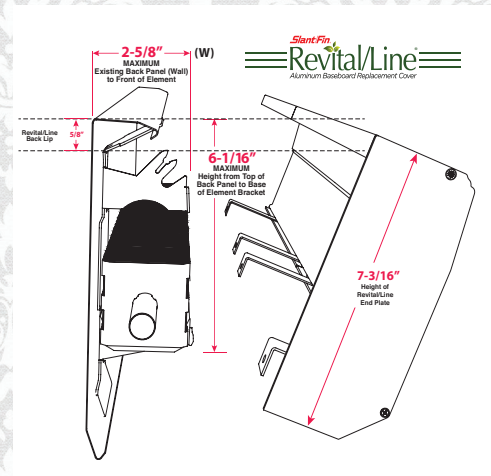


Figure 8

#### ACCESSORIES



End Cap 2' & 4" (Right & Left)    Inside Corner 90° & 135°    Outside Corner 90° & 135°    End Plate (Reversible) Not available for XL    Filler Sleeve

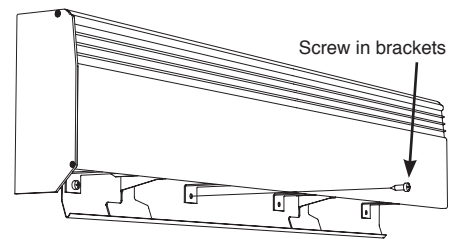


Figure 9

