



Bamboo Flooring Installation Manual



Please read the following instructions before starting the installation

Index

- Applications
- Pre-installation
- Sub floor preparation
- Timber/Particle Board
- Concrete
- Under floor heating
- Laying and Installation of Jeedeson Bamboo Flooring
- Expansion Gaps
- Glue down method
- Floating Installation
- Fitting of accessories and moldings
- Completing the Installation



Applications

- Jeedeson Bamboo flooring products are overlay flooring systems suitable for installation on concrete, tiles, existing timber floors, plywood, or particleboard, provided the subfloor is structurally sound, clean, level, and dry. These floors are designed for internal use only and must not be installed in wet areas (e.g., bathrooms, laundries) or external environments exposed to the elements. Jeedeson Bamboo flooring is solid tongue-and-groove bamboo with end-matching, available in dimensions of 960×96×15mm or 1020×130×15mm, and is designed for glue-down or nail-down installation.

Pre-Installation

Important: please carefully inspect all material before installation:

Any flooring installed with obvious defects will not be covered under warranty. It is the responsibility of the installer/owner to ensure that the job site conditions are suitable and environmentally acceptable for the storage of Jeedeson Bamboo prior to installation, as well as for the commencement and completion of the installation. Jeedeson Bamboo Flooring declines any responsibility for failures resulting from or related to subfloor, subsurface, or job site damage or deficiencies after the flooring has been installed. Pre-finished Jeedeson Bamboo should only be installed in the final stages of a construction project, once all tradespeople have left the site. All work involving water or moisture (such as cement work, plastering, painting, plumbing, and tiling) must be completed prior to installation. The building should be fully roofed and enclosed, with temperature and relative humidity levels as close as possible to in-service conditions, including the use of air conditioning. Relative humidity can be measured using an appropriate hygrometer. Flooring should be delivered at least 5–7 days before installation and stored indoors. The boxes should be opened to allow the flooring to acclimate to normal room temperature and humidity, with straps around each bundle left intact. Avoid installing Jeedeson Bamboo in excessively damp or humid conditions. Air conditioning should be running for at least 3–4 days before and during installation. Jeedeson Bamboo Flooring makes no warranty, guarantee, or liability claim for any errors or improper installation of its product by an installer.

Sub Floor preparation

- Jeedeson Bamboo is a kiln-dried product with an average moisture content of 9.9% and is sensitive to changes in moisture content. It is vitally important to ensure that the substrate on which the flooring is placed is dry and in no way subject to the ingress of moisture. While Jeedeson Bamboo resists light spills or occasional overzealous mopping, the aluminium oxide coating is not vapour-proof. Water vapour from the soil may saturate the subfloor area if there is inadequate cross-ventilation or prolonged exposure to moisture; the vapour can rise through the floor into the bamboo, potentially causing expansion and buckling.

The following points are vital to the execution of a good floor installation



For proper floor installation, ensure adequate subfloor ventilation with external wall air vents (per BCA standards), maintain 400mm ground clearance, and provide cross-ventilation in internal dwarf walls. Weather-exposed subfloors require underside protection (e.g., moisture barrier), while the surface must be level (5mm/3m radius), clean, dry, and free of contaminants (dirt, wax, oil, etc.) for proper adhesive bonding.

Timber Floor/Particle Board/Tile

- Remove all existing floor coverings before installation, ensuring the surface is completely dry and thoroughly clean. Remove any grease, oil, old adhesive, or excess paint as these may affect adhesion. Check floor flatness with a 3m straight edge - no gaps should exceed 2-3mm; sand high spots or fill low areas as needed. For uneven surfaces, use plywood underlay; sand any raised edges flat. Lay boards crosswise on timber floors. When installing over tiles, ensure surfaces are scuffed and properly prepared for proper glue adhesion if sticking directly.

Concrete Floor

- As in the case above, ensure the concrete floor is dry and clean with a moisture content not exceeding 5.5% .
- Generally, concrete slabs younger than 60 days are too wet, and installation is not recommended unless an appropriate moisture barrier membrane, is used (refer to the manufacturer's recommendations for proper application).
- A suspended concrete slab that is well ventilated is considered a very suitable substrate if it is dry, clean, and has a moisture content below 5.5%.
- On-ground concrete slabs are rarely dry enough for pre-coated flooring systems and should be treated with an epoxy moisture and vapor barrier coating. In addition to testing moisture content with a commercial moisture meter, perform the following checks:
 - Check that the membrane under the slab is continuous and covers the edges
 - Remove any dirt that is piled against the slab
 - Ensure that the drainage around the slab is adequate.

Moisture treatment of all sub floors

- If the subfloor is moist, treat it with a suitable epoxy moisture and vapor barrier as referenced in the above paragraph. Alternatively, lay builder's polythene sheeting on the subfloor with a minimum 300mm overlap, taping all joints to ensure a continuous seal. Fold the sheeting up the walls of the installation area. If the subfloor is exposed to the elements on the underside, additional protection may be required beneath the subfloor. Install a minimum 15mm thick CD structural grade plywood (with A-bond adhesive) over the barrier membrane.



Leveling of all sub floors

• Uneven or damaged surfaces must be repaired with a cement leveling compound following the manufacturer's instructions or by using a plywood underlay (minimum 15mm thick). Leave a 12mm gap between each plywood sheet and the walls. Secure the plywood with corrosion-proof concrete nails or screw fixings with masonry anchors. Seal all drill holes, ensuring the plywood is fixed securely with nails spaced no more than 350mm apart. Inadequate fixing will result in a 'drummy' sound when walking on the floor.

Underfloor heating

Jeedeson Bamboo can be installed over underfloor heating systems. Subfloor preparation and installation will follow standard installation procedures, with the following exceptions:

- The heating system must not come into direct contact with Jeedeson Bamboo (i.e., it should be underfloor slab heating).
- The system must be turned off at least 48 hours before and during installation.
- After completion, wait 24 hours before turning the system on at a low setting, then gradually increase the temperature over a 7-day period until reaching normal operating temperature.
- Note that the maximum allowable floor temperature is 27°C.

Laying and installation of the Jeedeson Bamboo Flooring

- **Important:** Bamboo is a natural product with inherent color variations. While our quality standards ensure the flooring is shade-sorted at the factory, slight differences between cartons may be noticeable. Mixing cartons during installation will create a more natural, randomized shade effect.
- **Important: When trimming or cutting Jeedeson Bamboo products, always wear proper safety equipment including gloves, ear protection, and dust masks. Ensure dust levels are controlled in accordance with workplace safety standards.**
- **Important: Expansion gaps** - Expansion gaps of at least 12mm must be maintained between the flooring edges and walls or any other solid surface the flooring meets. This gap should be covered by a trim after the floor has been installed. For floors widths over 6m or where extra allowance for expansion is required (moist locations) additional expansion joints need to be used. We recommend allowing 1.5mm extra expansion every extra 1m span across the floor. This can be filled after installation with a suitable filling compound. An Expansion joints must also be provided at every doorway (minimum 6mm).

Glue down Method

- We recommend using a premium wood flooring adhesive. For glue-down applications on or below grade (directly on concrete slabs), a moisture barrier must be used. Required materials include Sika T55-J one-part polyurethane adhesive - carefully follow the manufacturer's instructions. You will need the following tools: a notched trowel with V-notches at 6mm centers, a saw, tape measure, tapping block, 12mm spacers, a hammer, weights, and 33mm small nails or staples for secret nailing of boards into position.



Flooring is typically laid square with the space and parallel to its longest dimension. Begin by placing a 12mm spacer against the starting wall or skirting board. Using a 6mm notched trowel, spread adhesive evenly over the prepared surface, applying only enough for 5-6 board widths at a time. Starting from the wall, position each board groove-first, carefully fitting them together and securing with 33mm nails driven at a 45-degree angle into the tongue every 300mm. Ensure each tongue fits firmly into the corresponding groove of the next board, maintaining a brick pattern layout. Avoid nailing within 30mm of board ends to prevent splitting. Periodically check alignment every 4-5 boards against your starting wall, and consider marking reference lines on the underlayment. When direct-sticking to subfloors without nailing, ensure adequate weighting. Maintain 10mm expansion gaps at all walls and edges, and allow at least 24 hours for adhesive to cure before walking on the floor.



• **Important:** Prevent adhesive from penetrating through the tongue onto the surface. If this occurs, immediately wipe it off using a methylated spirits-soaked rag.

• **Note:** Special care should be taken when working with wide boards.

Wider, longer bamboo planks may naturally bow in the center - this is NOT a manufacturing defect but rather characteristic of the material. For nail-down installations, this presents no issue as the boards can be easily straightened during installation. However, for glue-down applications, we recommend using an installer with above-average experience, as strapping or tape may be required to hold the planks in position while the adhesive sets.

• Safety should always be the top priority when using pneumatic fastening machines.

Ensure that you and all authorized operators are thoroughly familiar with the equipment and all relevant safety precautions before operation.

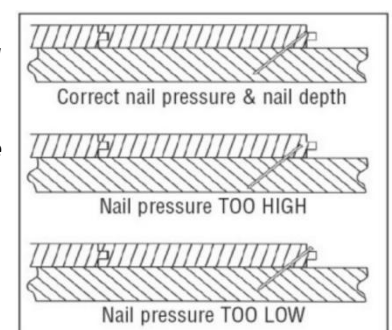


Figure #2

- *Correct air pressure settings are crucial for successful installation. Too low pressure will insufficiently set nails, leading to poorly fastened boards, damage to adjacent flooring, and difficulty in creating tight joints. Conversely, excessive pressure will over-set nails, resulting in damaged or split tongues, as well as loose and squeaky boards.*
- *Pneumatic nailing systems must be equipped with an adjustable in-line regulator to allow pressure adjustment for optimal nail setting depth. Initially set the pressure at 75 psi (5 bar), then fine-tune as needed to achieve the correct nail penetration depth. Refer to figure#2.*

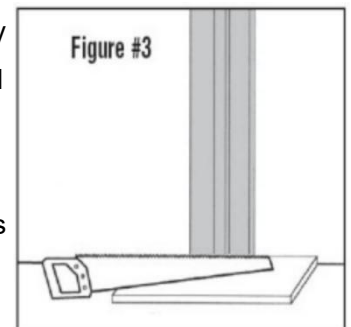
Floating Installation (For reference only.)

Important: Only narrow boards measuring 960×96×15mm may be installed using the floating floor method. Moisture protection is required over any subfloor when installing flooring using the floating method.

The substrate level must be within ±3mm over a 3-meter radius.

- Materials needed
- Moisture barrier
- Recognized brand of underlay recommended for floating floors
- Waterproof tape to join and seal moisture barrier membrane (min. 200UM construction plastic)
- Recognized brand of industrial strength PVA cross linked wood adhesive
- Saw, tape measure, tapping block, cork spacers, hammer, small crow bar, straps

If required, remove any skirting, quarter round or doorway thresholds that may be in place. Doorway architraves should be undercut to allow the flooring to fit neatly when installed. A piece of underlay and flooring placed against the Architrave will act as a guide for height. (refer to Fig. 3). Unroll the moisture barrier underlay, overlapping each joint by at least 300mm, and extend it up the edges of all walls. Secure all ends, sides, and seams with waterproof tape to maintain the underlay's vapor barrier integrity.



Start planks square with the room and parallel to the longest dimension but leaving 12mm expansion space from the wall. Cork spacers approximately 600mm apart or near the plank ends should be left between the floor boards and the wall structure. Place the groove in the wall. Apply a thin line of adhesive to the top inside edge of the next groove in a continuous line and insert into the plank's tongue using a tapping block and tap until the boards are firmly together. When starting the second row, we suggest the first board is a minimum of 600mm shorter than the original board to achieve a brick or random pattern. The last row will probably need to be cut to the required width. A small crow bar can be used to gain leverage against the wall when trying to ease the last of the boards together. Straps may be required while the glue is drying to hold boards together. Remove any excess adhesive immediately with a damp cloth and wipe dry to avoid "smearing".



Completing the installation

- To complete your floor, attach the finishing moldings or door treads and coat as necessary, or install skirting boards and architraves. Fill gaps between floor and beading with water-based gap-filling compound and wipe clean with a rag. Allow the adhesive to cure as per the manufacturer's instructions, then clean the floor before use with methylated spirits and warm water to remove any oily film or grease from nail guns. Stubborn glue residue can be removed using citrus extract or natural organic solvents.

GENERAL MAINTENANCE & CARE FOR YOUR JEEDESON BAMBOO FLOORING:

Bamboo floors are easy to care for and require minimal effort to maintain. We recommend you follow the following periodic maintenance procedures for optimal results:

- Regular vacuuming and periodic cleaning of your bamboo floor will ensure its beauty and finish lasts. More frequent attention is recommended in high-traffic areas and near exterior and garage entrances. There are many excellent hardwood cleaning products available from most hardware and hardwood retailers; use as per manufacturer's recommendations.
- Install small interior area rugs at all exterior and garage entrances, as well as door mats on the outside to remove loose dirt and debris. Clean these on a regular basis. DO NOT leave on bamboo floor permanently. For non-slip area rugs, consult with a reputable floor covering vendor.
- Mopping your floor with water can be harmful for your bamboo. If you do so, make sure the amount of water used for cleaning is not more than what can dry up within a minute after mopping. The use of excess water can seep through the joints and cause swelling and warping.
- Toilet training accidents from children and pets alike must be immediately cleaned up without delay due to the risk of discoloration properties of urine. Do not toilet train pets, nor keep their litter boxes near bamboo floors.
- Clean spills and messes right away to prevent them from running between the cracks and staining the floor. Small spills should be cleaned up with a lightly dampened cloth (which will not leave water drops on the surface) with a small amount of dishwashing soap.
- If you have a pet, especially large dogs, its nails may scratch the floor. Keep pet nails trimmed on a regular basis, filing rough areas smooth.
- Do not roll furniture or appliances with casters, as most casters will damage the floor's finish. Carefully and safely lift and move the furniture or appliance into place. Barrel-type casters are recommended for use on furniture used on bamboo floors to reduce the risk of damage.



- Maintain as constant a temperature and humidity level in your home on a yearly basis as is possible. Humidity should be kept between 35% and 55% throughout the year. To control humidity, the use of a dehumidifier and/or air conditioning during the summer may be necessary, as may be the use of a room or central humidifier in the winter months. Note that electric baseboard and hot-water radiator-type heating systems promote especially low humidity levels. Areas prone to humidity should have an operating dehumidifier running on a regular basis.
- High heels, spikes, stilettos, and similar types of shoes can cause denting to bamboo floors. These types of shoes generate static loads of approximately 2000 psi and dynamic loads as much as 10 times higher, even by small-framed women! Damaged shoes of these types are especially damaging to bamboo floors. It is recommended that shoes worn in homes be in good repair and of a soft-sole type. Damages resulting from footwear are specifically excluded from the manufacturer's warranty.
- All bamboo flooring that is exposed to light (as in natural light) or sunlight will naturally darken with age; this darkening will bring additional warmth to the bamboo's natural color. It is recommended to periodically move area rugs and other objects slightly in their position to avoid the development of a distinct line due to color change. **Note that darkening or change of color is not considered a defect under this product's warranty. Furthermore, at the time of installation, should any boards have lighter-toned areas, which were under the plastic straps and/or labeling, these areas will darken and develop the same color tone as the remainder of the floor within a few weeks of exposure to natural light.**
- Minor damage and wear can be repaired using a "hardwood touch-up & repair kit" available from your local hardware or hardwood flooring supplier. Follow instructions provided with the kit with care. Should you require replacing any damaged boards in the future, contact a local professional installer who can provide this service to you.

