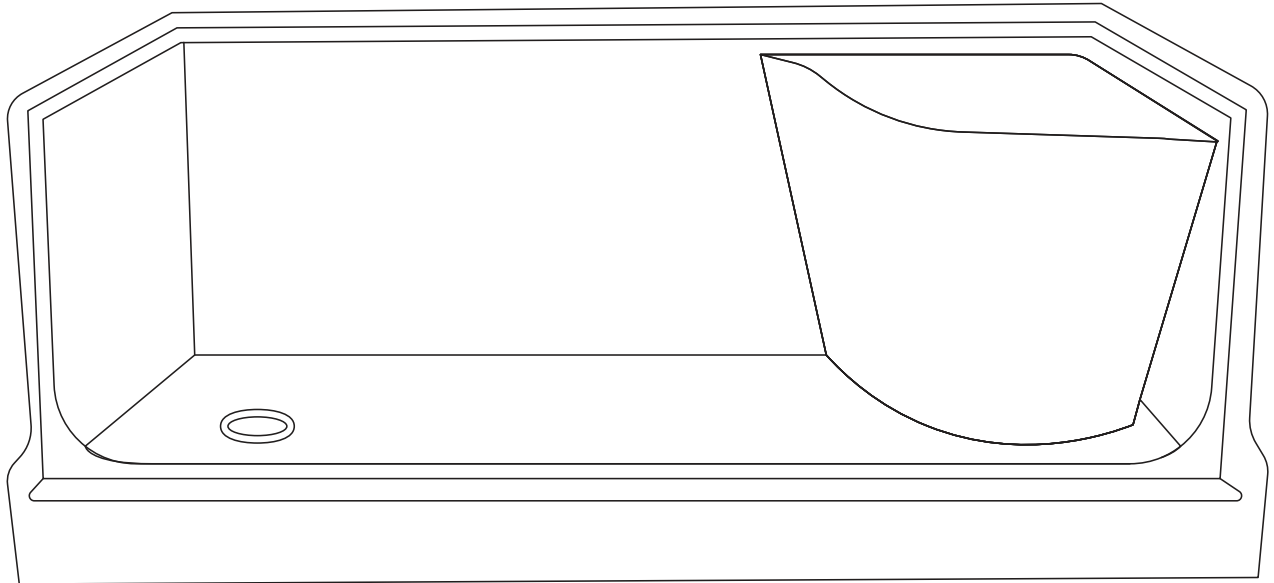


INSTALLATION INSTRUCTIONS

Swiss Madison[®]
well made forever

Aquatique Shower Base SM-SB537 / SM-SB538



Share your pictures for a feature!
using **#SwissMadison**





Prior to Installation:

- Inspect showerbase to ensure no damages have occurred while during shipping.
- Observe all plumbing and building codes in accordance with your state and local requirements.
- Additional floor and wall preparations may be necessary to avoid damage to the product.
- All dimensions are nominal! Be sure to measure your showerbase prior to installation to accurately determine your enclosure size.

General Recommendations: Read installation and maintenance instructions thoroughly before installation. Be sure to use proper tools and always wear proper personal safety accessories for your protection.

If you have any questions or concerns please contact us:

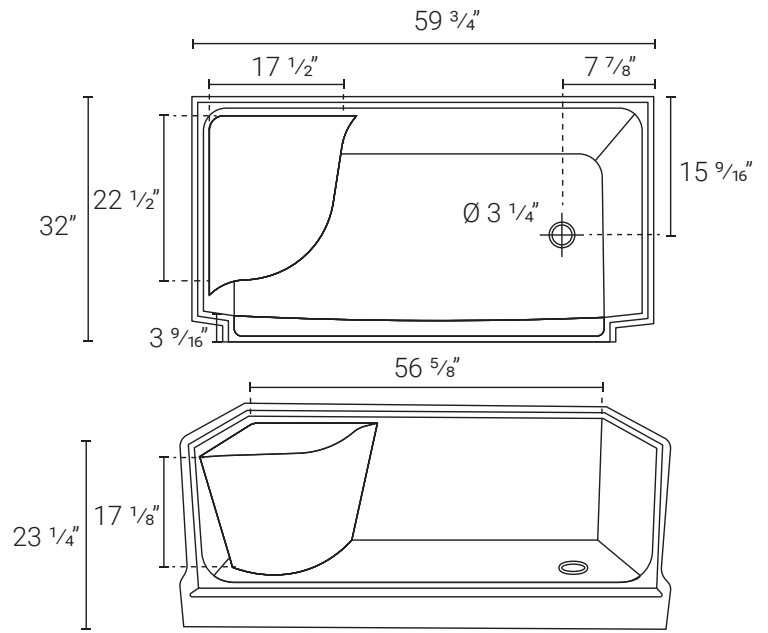
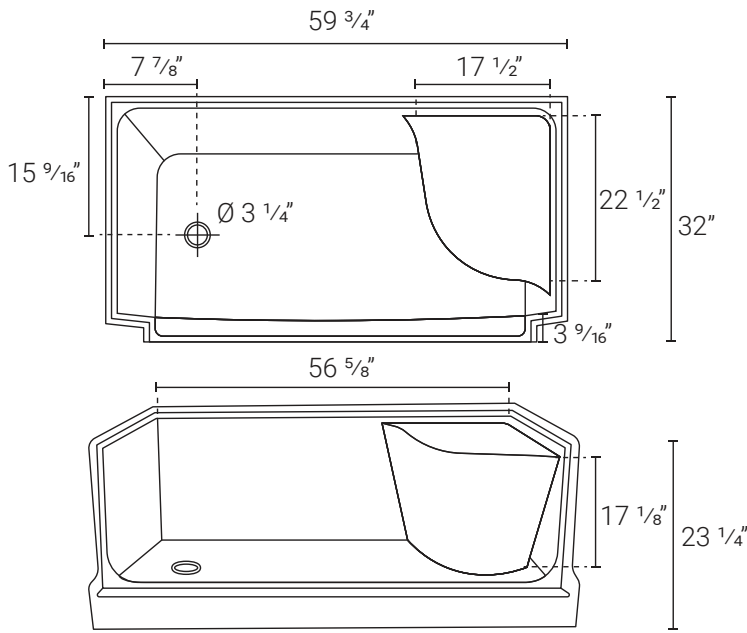
1-434-623-4766
info@swissmadison.com

Thank you for your purchase!

Thank you for purchasing a Swiss Madison Shower Base.
We appreciate your business and know you will enjoy your product for many years to come.
If you have any questions or require assistance we would be happy to help.
Please contact us at 1-434-623-4766 or info@swissmadison.com.

To learn more about our products, please visit:
www.swissmadison.com

*Sincerely,
The Swiss Madison Team*



Aquatique
59 3/4" x 32" x 23 1/4"

- SM-SB357W - White
- SM-SB357BV - Biscuit
- SM-SB357E - Grey

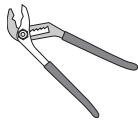
Aquatique
59 3/4" x 32" x 23 1/4"

- SM-SB358W - White
- SM-SB358BV - Biscuit
- SM-SB358E - Grey

SUGGESTED TOOLS AND MATERIALS



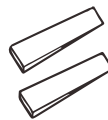
Safety Glasses



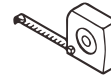
Pliers



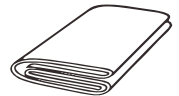
Pencil



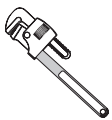
Shims



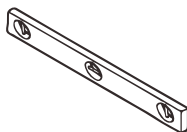
Tape Measure



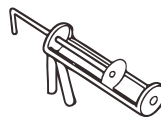
Drop Cloth



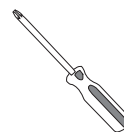
Wrench



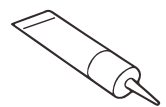
Level



Caulk Gun



Screwdriver



Sealant
(1 tube)



CAUTION:

- Shower base may only be installed in a recess type installation.
- This shower base is not self-supporting and must be supported along its entire bottom with mortar or grout. Stringers will help level, but will not provide adequate support.
- Take extra care when driving nails or screws to avoid damaging the shower base.

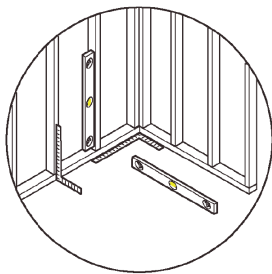


1. Read the complete instruction manual before beginning installation.
2. Confirm that your model will fit in intended location and plumbing fixtures are located where legally required before beginning installation.
3. Not all drawings on this manual are drawn to scale. Please refer to the model chart.
4. Walls and sub-floor must be solid, flush and square.
5. Always use drop cloth to protect shower base from damage during installation.
6. Two people are recommended to install and move this product.
7. Rust-proof hardware is recommended for installation.

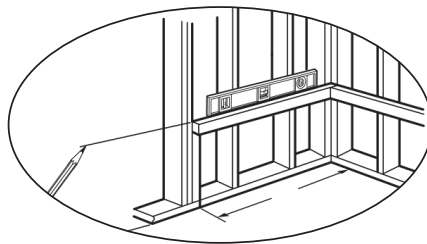
NOTE: This manual shows our recommended installation method, if your installation requires another method, please consult a professional.

1. Frame

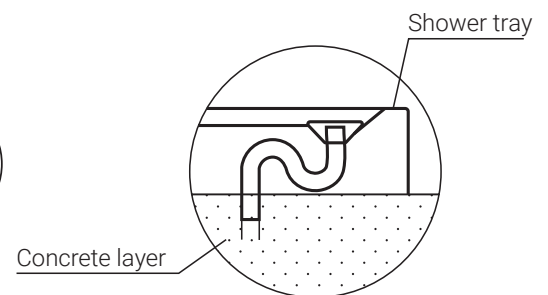
- Locate studs as required. Ensure roughing-in dimensions are accurate. It is strongly recommended that an additional opening be provided for access to the drain components.
- Mark the position of the underside of the deck by tracing a line onto the studs at the height indicated with a level or other straight edge.
- With the top of the stringer touching the traced line, attach the stringer to the studs.
- Install drain components to the shower base following the manufacturer's instructions. See the roughing-in drawing for suggested opening size and location dimensions.



Studs must be flush and square



Studs must be level



Put the water pipe of the shower tray into the drain outlet

NOTE: All measurements are nominal.

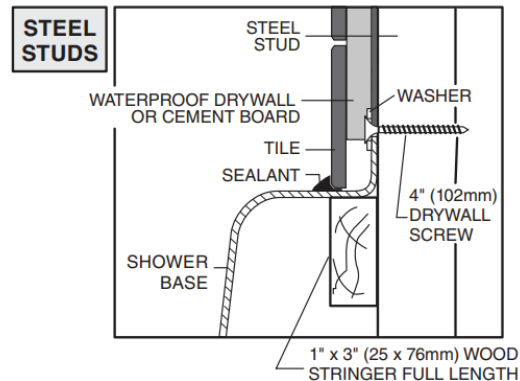
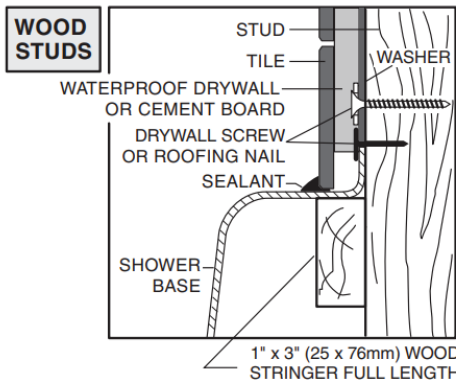
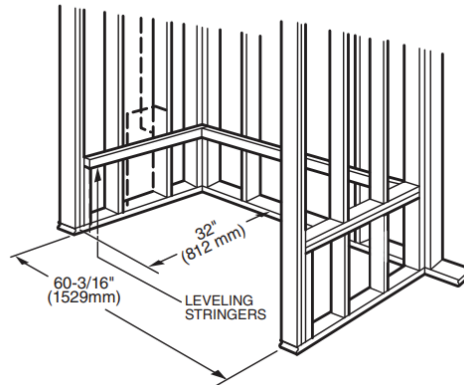
2. Support

- Mortar is recommended as bedding material (sand is not recommended). Apply enough bedding to support the complete bottom of the shower base. After the bedding has been poured, before it sets, position the shower base within the recess until the rim is leveled against the leveling stringers.

NOTE: The rim of the shower base MUST NOT support weight. Allow the bedding material to completely harden before applying weight to the rim or bottom of the shower base.

- Check level front to back and side to side, shim as necessary. To secure the shower base to wood studs, use drywall screws with flatwashers or roofing nails immediately above the flange of the shower base. To secure the shower base to steel studs, use 4" drywall screws and flatwashers.
- Finish material such as tile or wallboard must be self-supporting if it touches the deck of the shower base. Flooring will be butted against the bottom of the shower base apron, also holding the shower base in place.

TYPICAL RECESS INSTALLATION



SECURE THE SHOWER BASE TO THE STUDS AS SHOWN FOR WOOD OR STEEL STUD CONSTRUCTION.

3. Connect Drain

- Using recommended drain opening, connect shower base drain to waste line. Tighten all drain joints securely.



1-434-MADISON

(623-4766)

19 Stults Road

Dayton, NJ 08810

www.swissmadison.com

ONE YEAR LIMITED WARRANTY

Swiss Madison® products are made with quality materials and excellent craftsmanship to provide our customers with beautiful, durable, long-lasting products. Should there be any defects in materials or craftsmanship under regular use that are discovered within the first year of installation, Swiss Madison® will provide replacement parts at no charge, or at its discretion, replace any product or part of the product that is deemed defective, under normal installation, use, service or maintenance. This warranty applies only to the original purchaser. Proof of purchase will be required in the instance of a claim.

Swiss Madison® recommends all installations of Swiss Madison® products to be conducted by a licensed, professional plumber or contractor. Swiss Madison® will not be held responsible for any damage or product failure due to improper installation, misuse, or failure to utilize a licensed professional for installation. Swiss Madison® is not responsible for any installation or removal costs.

This One Year Limited Warranty Will Be Voided If:

- The installation recommendations were not followed by the installer
- The product has been moved from its initial place of installation
- The product has in any way been modified from its packaged state
- The product has been subjected to improper maintenance, abuse, misuse, excessive use of chemicals, accidents, or other damages, etc.

Swiss Madison® makes no implication that its products comply with any local building or plumbing codes. It is the consumer's responsibility and obligation to determine local code compliance prior to and during installation. This warranty extends only to the original purchaser and first consumer.

Swiss Madison® is not responsible for any special, incidental or consequential damages associated with the installation, replacement, return or use of the original purchaser's product. This includes, but is not limited to: freight costs, labor, travel time, lost profit, home damages and other contingent liabilities and costs (including, without limitation, costs associated with 'professionals' or 'experts', investigations, audits, analyses, attorneys and any other professional/hired services).

The Swiss Madison® warranty is a comprehensive and explicit limit of liability. All items not disclosed within the warranty are not addressable within the responsibility of Swiss Madison®. Certain states have variances regarding implied warranties; in those situations, we remain fully compliant.

**If you have any questions or concerns, please contact us directly at
1-434-MADISON (623-4766)**

WARNING: Contents of your order may contain sharp and possibly other harmful pieces and may cause hazard to children and adults. Swiss Madison® is not responsible in any way for personal damages.