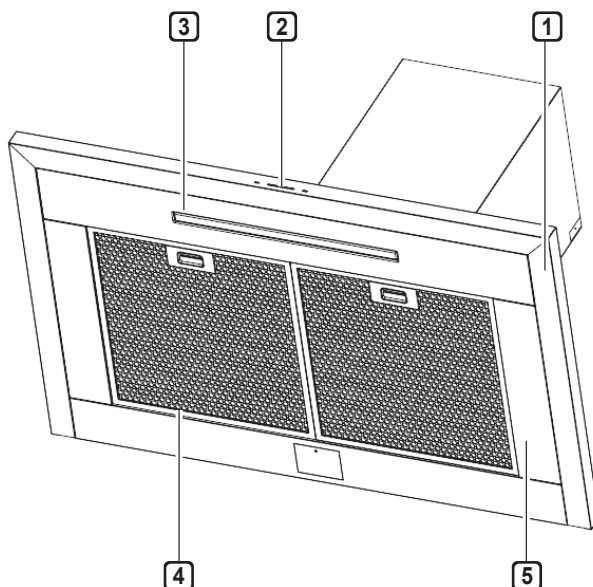


PRODUCT OVERVIEW

Parts

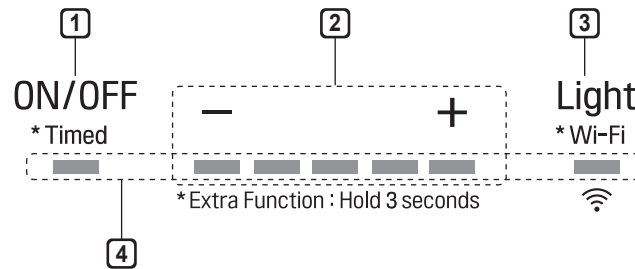


- ① HOOD
- ② ICON TOUCH CONTROL PANEL
- ③ LED STRIP LIGHT
- ④ MESH FILTER
- ⑤ SIDE PANEL (Only for LSHD3689BD, LSHD3680ST)

Specifications

Hood Models	LSHD3689BD, LSHD3680ST, LSHD3089BD, LSHD3080ST
Hood Width	LSHD3689BD, LSHD3680ST : 36 Inches LSHD3089BD, LSHD3080ST : 30 Inches
Filters	2 pcs
Lights	1(LED Strip type)

OPERATION



1 POWER / DELAY OFF BUTTON ^{ON/OFF} _{*Timed}

Power Button Function

- ^{ON/OFF}_{*Timed} Button will turn power on and off for entire hood (fan and lights).
- Hood will remember the last speed and light level it was turned off at.
(Example: Press the ^{ON/OFF}_{*Timed} button to turn off the hood with fan speed at level 4 and lights on high. Press the ^{ON/OFF}_{*Timed} again and the hood will turn on with the fan speed set to 4 and the lights on high.)

Delay Off Button Function

- With the fan on, press and hold the ^{ON/OFF}_{*Timed} button for three seconds. The fan will change to speed 1 and the 5 minute delay off timer will start.
^{ON/OFF}_{*Timed} + — + LEDs will illuminate and slowly blink in accordance with the time remaining until the fan and lights automatically turn off.
- Pressing the ^{ON/OFF}_{*Timed} button while the Delay Off Function is enabled will turn the hood off and cancel the Delay Off Function.

2 SPEED SELECTION BUTTON

Fan Speed Decrease Button —

- Press this button to decrease fan speed. 5, 4, 3, 2, 1.
- If fan is On at level 1 and this button is pressed, fan will power Off.

Fan Speed Increase Button +

- Press this button to increase fan speed. Fan On, 1, 2, 3, 4, 5.
- If hood is Off and this button is pressed, fan will turn On at level 1.

3 LIGHT BUTTON ^{Light} _{*Wi-Fi}

- The light has two levels: High and Low.
- From off, press one time for High. Press again for Low. Press again to power lights off.
- Press and hold the Light button for 3 seconds to connect to a home Wi-Fi network. See page 8 for more information.

4 DISPLAY INDICATORS

Mesh Filter Clean Reminder (always enabled)

- After 30 hours of fan usage, the — button indicator will begin to slowly blink indicating it is time to clean the mesh filters.
- **To reset:** With hood off: hold the — button for three seconds. All LED indicators will blink two times confirming the 30 hour timer has been reset.

Charcoal Filter Replace Indicator

(disabled by default, must be enabled if recirculating hood)

- To enable Charcoal Filter Replacement Reminder:
 - With hood off, hold + button and ^{Light}_{*Wi-Fi} button simultaneously for three seconds. All LED indicators will illuminate for three seconds confirming the Charcoal Filter Replace Reminder is enabled.
- To disable Charcoal Filter Replacement Reminder:
 - With hood off, hold + button and ^{Light}_{*Wi-Fi} button simultaneously for three seconds. All LED indicators will blink two times confirming the Charcoal Filter Replace Reminder is disabled.
- After 120 hours of fan usage the + button will slowly blink indicating the charcoal filters need replacement.
- **To reset:** With hood off, hold the + button for three seconds. All LED indicators will blink two times confirming the 120 hour timer has been reset.