

NOTE: 505-00033 TRUCK SLIDE MAT SHOWN.
OTHER CONFIGURATIONS WILL VARY SLIGHTLY,
BUT WILL NOT AFFECT ASSEMBLY.

Attention Read all instructions and understand all warnings before installing or using this product.



Danger of Injury
Team lift is required for installation of this product.
Moving parts in this assembly can cause injury.



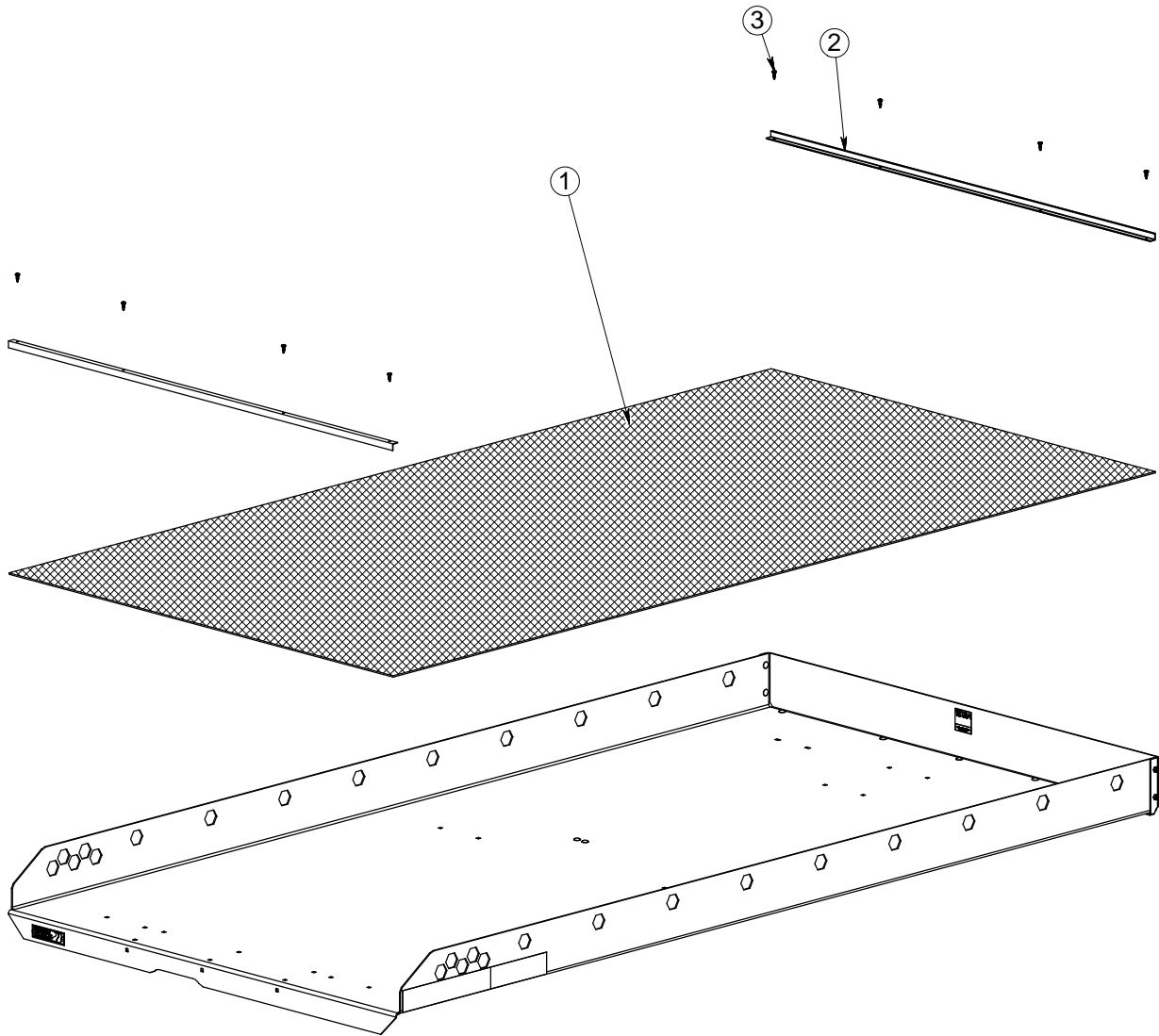
Notes

- Use safety glasses when using tools or working under vehicle.
- Perform all work on dry level ground.
- Insure vehicle's parking break is engaged and wheels are chocked.
- Due to the size and weight of products more than one person is required for lifting and installing of this product.
- Do not over tighten hardware.



Tools Required

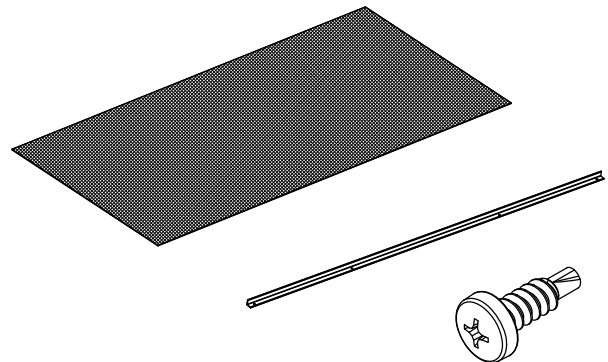
	SAFETY GLASSES		DRILL/ DRIVER		DRIVER BIT SET		TAPE MEASURE
--	----------------	---	---------------	---	----------------	---	--------------



Note: Take inventory of all provided parts prior to assembly.

Provided Parts

ITEM NO.	PART NUMBER	QTY.
1	040-05062, DIAMOND RUBBER MAT	1
2	285-00213, 5/8" X 48" ANGLE	2
3	030-05014, 10-16X1" SELF TAP SCREW	8





STEP 1:

PLACE RUBBER MAT DIAMOND PLATE
SIDE UP IN TRUCK SLIDE
AS SHOWN IN FIGURE 1

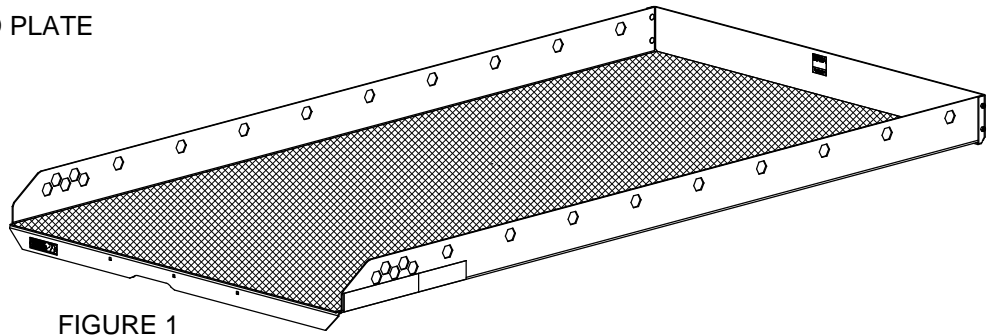
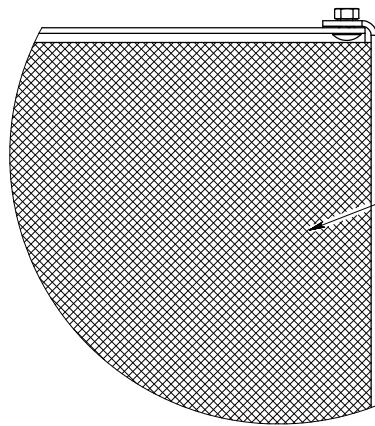


FIGURE 1

STEP 2:

ALIGN MAT WITH REAR CORNERS OF
TRUCK SLIDE
AS SHOWN IN FIGURE 2



RUBBER MAT

REAR FACE OF TRUCK SLIDE

FIGURE 2

TRUCK SLIDE REAR FACE

5/8" ANGLE

RUBBER MAT

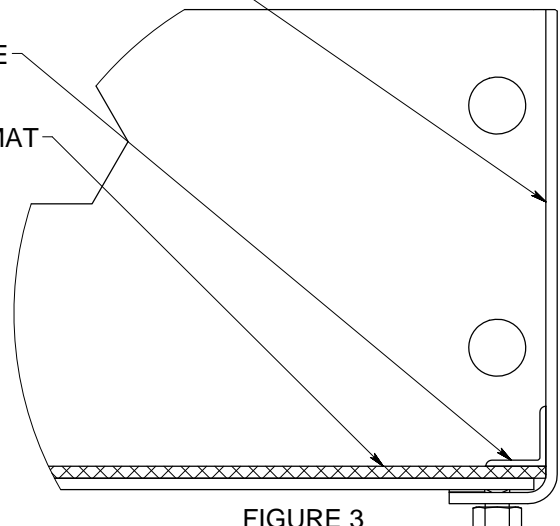


FIGURE 3

STEP 3:

PLACE 5/8" ANGLE ON TOP OF RUBBER MAT
AND AGAINST REAR FACE OF TRUCK SLIDE
AS SHOWN IN FIGURE 3



STEP 4:
FIRMLY HOLD DOWN ANGLE AND SECURE
IN PLACE WITH SELF TAPPING SCREWS (QTY 4)
AS SHOWN IN FIGURE 4.1 AND 4.2

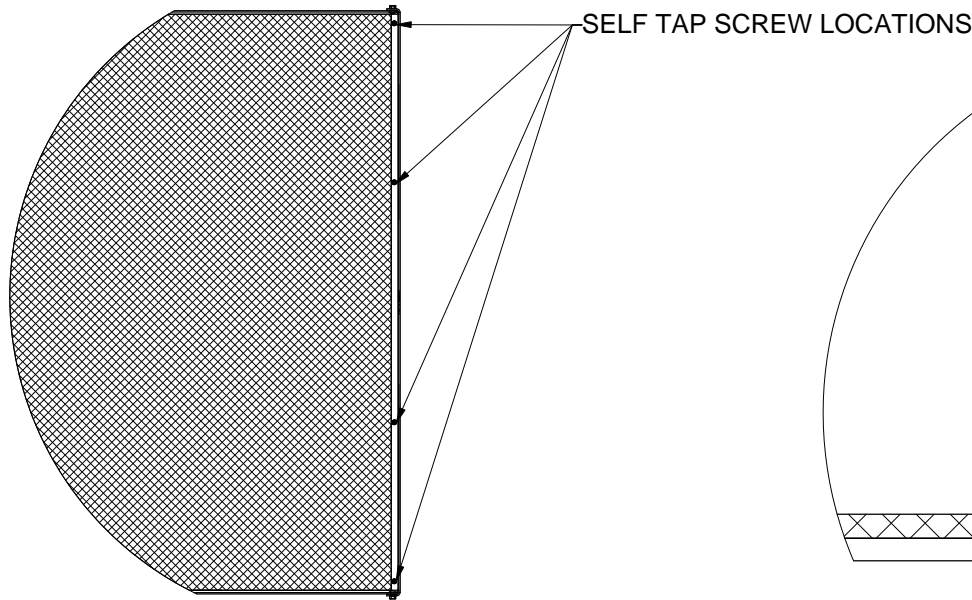


FIGURE 4.1

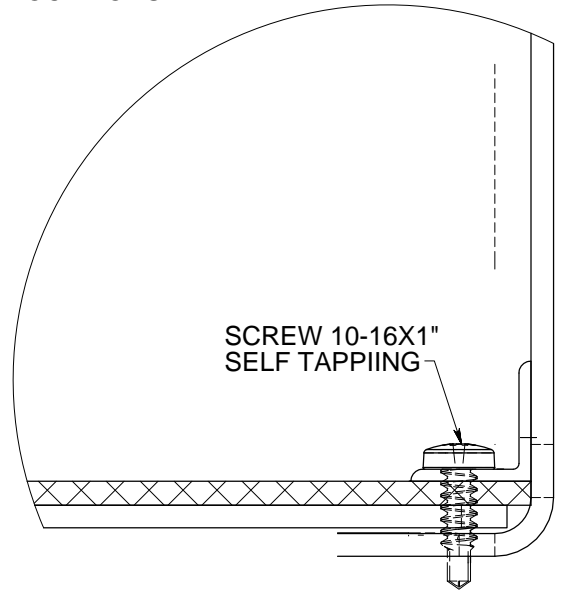


FIGURE 4.2

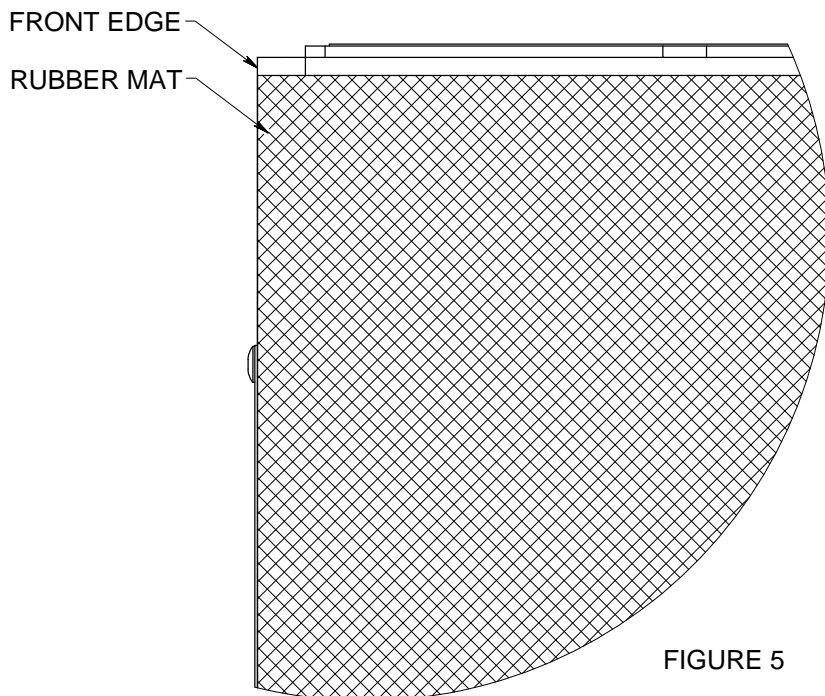


FIGURE 5

STEP 5:
PULL MAT TIGHT AND ALIGN WITH
FRONT EDGE OF TRUCK SLIDE
AS SHOWN IN FIGURE 5



STEP 6:

CAPTURE FRONT EDGE OF MAT WITH 5/8" ANGLE AND LOCATE AS SHOWN IN FIGURE 6

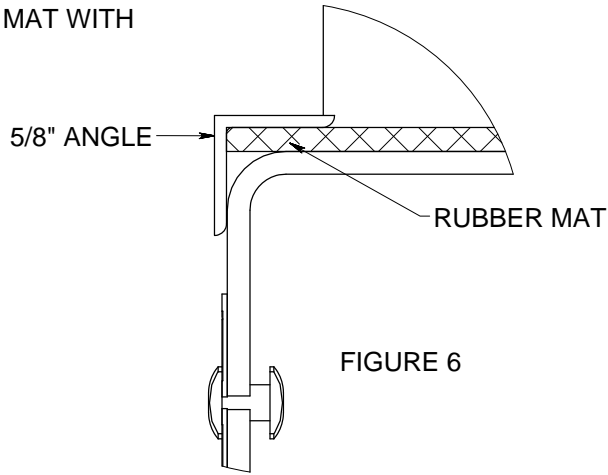


FIGURE 6

STEP 7:

FIRMLY HOLD DOWN ANGLE AND SECURE IN PLACE WITH SELF TAPPING SCREWS (QTY 4) AS SHOWN IN FIGURE 7.1 AND 7.2

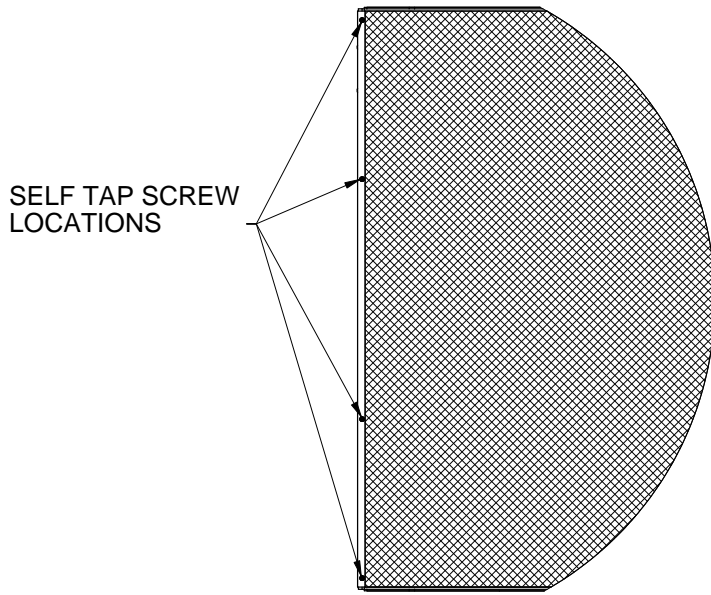


FIGURE 7.1

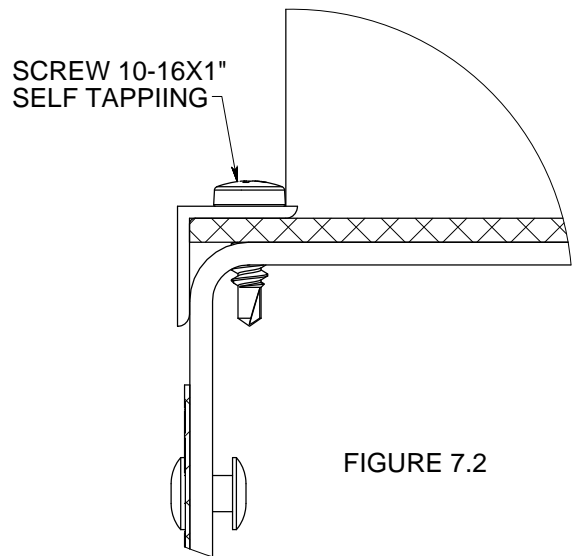


FIGURE 7.2