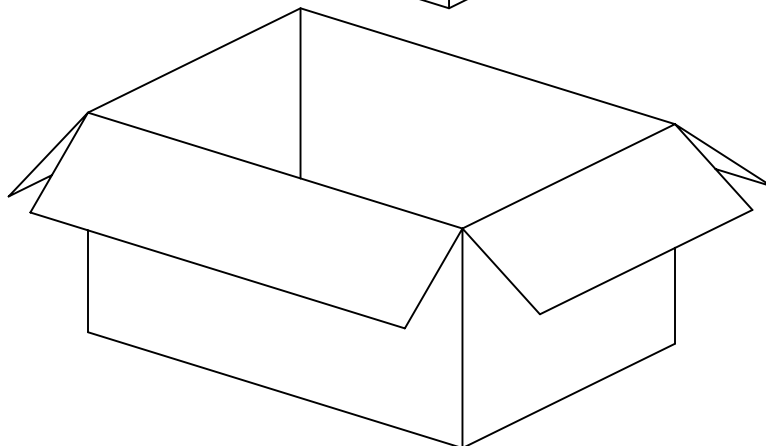
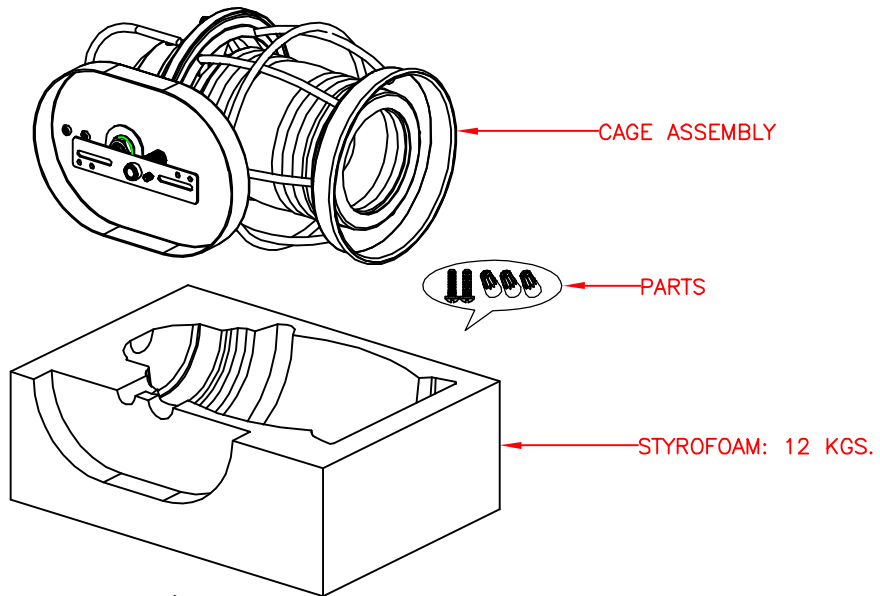
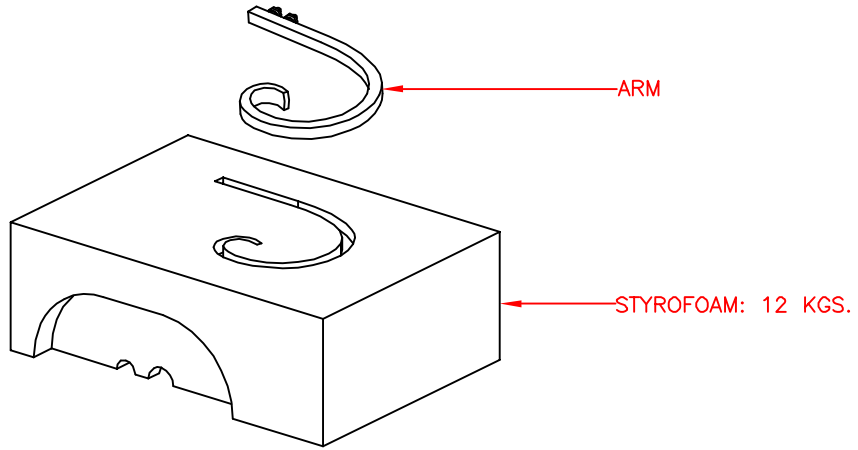


MODEL: 93085AI  
PACKING DIAGRAM



MODEL: 93085AI

## ASSEMBLY INSTRUCTIONS

READ AND SAVE THESE INSTRUCTIONS

READ INSTRUCTIONS ALL THE WAY THROUGH PRIOR TO ASSEMBLY.

THIS LANTERN SHOULD TAKE APPROXIMATELY 10 MINUTES TO ASSEMBLE.

MAKE SURE ALL PARTS ARE FIRMLY TIGHTENED.

### TOOLS

YOU WILL NEED THE FOLLOWING TOOLS OR EQUIPMENT: LADDER, SCREWDRIVER, ADJUSTABLE WRENCH, WIRE CUTTERS, PLIERS.

### UNPACK THE LANTERN

YOU SHOULD HAVE RECEIVED THE FOLLOWING PARTS IN THE PACKAGE: LANTERN BODY, ARM, (2) METAL WASHERS, (2) NUTS. TO PROTECT THE FINISH, PLACE ALL PARTS ON A SOFT SURFACE.

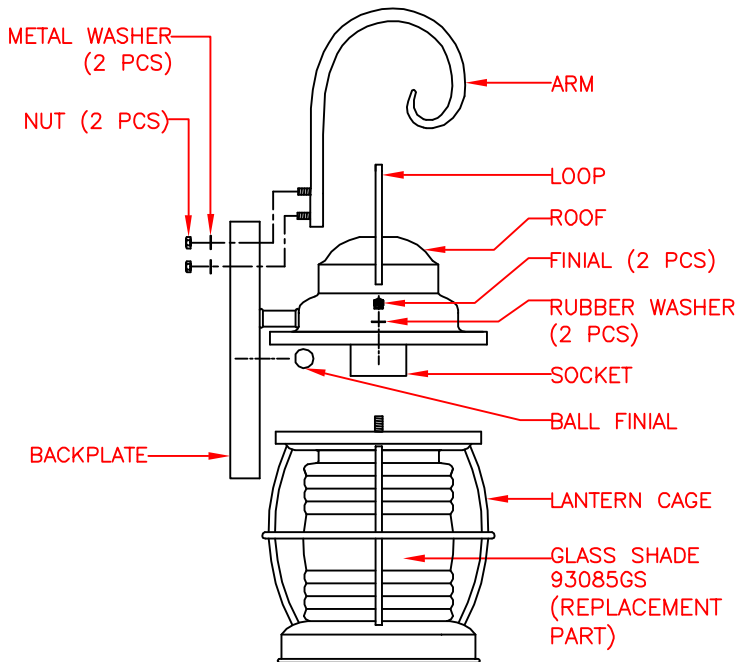
HARDWARE PACK: (2) 8-32 x 1-1/4" SCREWS, (3) WIRE CONNECTORS.

### LANTERN ASSEMBLY

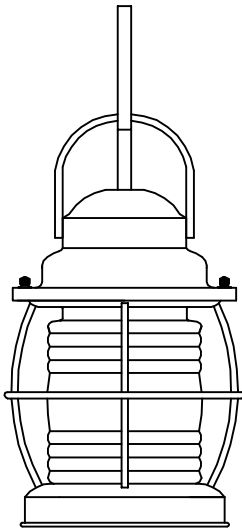
1. REMOVE THE CROSSBAR ASSEMBLY FROM BACK OF BACKPLATE BY UNSCREWING BALL FINIAL.
2. REMOVE CAGE ASSEMBLY FROM THE ROOF ASSEMBLY BY UNSCREWING (2) FINIALS.
3. STAND LOOP AND ATTACH HOOK OF ARM TO THE LOOP, THEN SECURE THE ARM TO BACKPLATE WITH (2) METAL WASHERS AND (2) NUTS FROM BACK OF THE BACKPLATE.
4. INSTALL A 60 WATT MAX. MEDIUM BASE TYPE "A" BULB (NOT INCLUDED) INTO SOCKET.
5. REPLACE THE CAGE ASSEMBLY TO BOTTOM OF THE ROOF, THEN SECURE THE LANTERN CAGE TO ROOF WITH (2) RUBBER WASHERS AND (2) FINIALS REMOVED ABOVE.

COMPLETE INSTALLATION INSTRUCTIONS ON NEXT PAGE TO MOUNT THE LANTERN.

AVAILABLE PART IS:  
93085GS (GLASS SHADE)

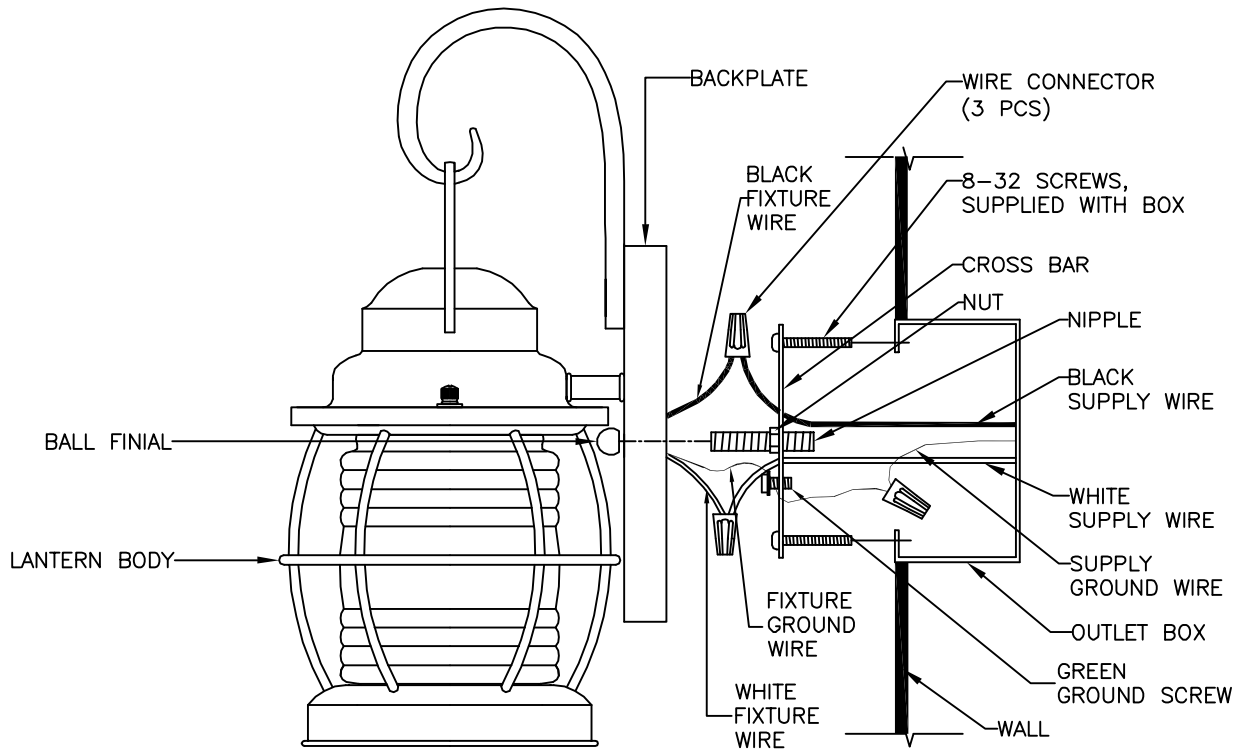


LANTERN SIDE VIEW



LANTERN FRONT VIEW





## INSTALLATION INSTRUCTIONS

### READ AND SAVE THESE INSTRUCTIONS

CAUTION: TO AVOID POSSIBLE ELECTRIC SHOCK, MAKE SURE THE ELECTRICITY IS SHUT OFF AT THE MAIN PANEL. IF YOU ARE REPLACING AN EXISTING FIXTURE, FIRSTLY, TURN THE FIXTURE OFF. NEXT, TURN THE WALL SWITCH OFF. FINALLY, GO TO THE MAIN FUSE OR BREAKER BOX IN YOUR HOME. TURN THE FUSE OR BREAKER TO THE OFF POSITION.

SOME TYPES OF FUSES MUST BE UNSCREWED TO SHUT OFF THE POWER.

\* ALL WIRING MUST BE DONE IN ACCORDANCE WITH NATIONAL AND LOCAL ELECTRIC CODES.

\*\* IF YOU DO NOT HAVE ELECTRICAL WIRING EXPERIENCE, HAVE YOUR FIXTURE INSTALLED BY A QUALIFIED LICENSED ELECTRICIAN.

\*\*\* THIS FIXTURE IS TO BE MOUNTED TO A UL LISTED OUTLET BOX CAPABLE OF SUPPORTING THE WEIGHT OF THIS FIXTURE. THE OUTLET BOX MUST BE DIRECTLY SUPPORTED BY THE BUILDING STRUCTURE.

### COMPLETE LANTERN ASSEMBLY INSTRUCTIONS FIRST (SEE PREVIOUS PAGE).

#### INSTALL THE FIXTURE

1. ATTACH CROSS BAR TO OUTLET BOX USING TWO SCREWS PROVIDED WITH THE OUTLET BOX. (NOTE: IF THE SCREWS WITH THE OUTLET BOX ARE TOO SHORT, USE THE (2) 8-32 x 1-1/4" SCREWS PROVIDED IN THE MOUNTING HARDWARE PACKAGE).
2. CONNECT THE WHITE OR RIBBED FIXTURE WIRE TO THE WHITE SUPPLY WIRE IN THE OUTLET BOX USING THE TWIST-ON WIRE CONNECTOR PROVIDED. CONNECT THE BLACK OR SMOOTH FIXTURE WIRE TO THE BLACK SUPPLY WIRE IN THE SAME MANNER. INSTALL THE FIXTURE GROUND WIRE UNDER THE GREEN GROUND SCREW ON THE CROSS BAR THEN CONNECT THE FIXTURE GROUND WIRE TO THE SUPPLY GROUND WIRE IN THE OUTLET BOX USING THE TWIST-ON WIRE CONNECTOR PROVIDED.
3. RAISE FIXTURE TO THE WALL AND CAREFULLY TUCK THE WIRES INSIDE THE OUTLET BOX. SPREAD THE ELECTRICAL SPLICES SO THAT THE BLACK WIRES ARE ON ONE SIDE OF THE OUTLET BOX AND THE WHITE WIRES ARE ON THE OTHER SIDE. LINE UP NIPPLE WITH HOLE IN BACKPLATE AND SECURE WITH BALL FINIAL.
4. RESTORE POWER, YOUR NEW LANTERN IS NOW READY FOR USE.

