

OPERATOR'S MANUAL

Twin Rear Bagger Model Nos. 19A70054* and 19A70055*

Record Product Information

Before setting up and operating your new equipment, please locate the model plate and record the information in the area provided to the right. You can locate the model plate by looking on the outside of the bagger cover. The model plate contains the unit's model and serial numbers. This information will be necessary, should you seek technical support via our web site, Customer Support Department, or with a local authorized service dealer.

MODEL NUMBER

--	--	--	--	--	--	--	--	--	--	--	--

SERIAL NUMBER

--	--	--	--	--	--	--	--	--	--	--	--

Table of Contents

<i>Safe Operations Practices</i>	2	<i>Warranty</i>	10
<i>Contents of Carton</i>	4	<i>Español</i>	11
<i>Assembly & Installation</i>	6	<i>Français</i>	21
<i>Operation</i>	9		

⚠ WARNING

Read and follow all safety rules and instructions in this manual before attempting to operate this machine. Failure to comply with these instructions may result in personal injury.

⚠ WARNING

California Proposition 65

Engine Exhaust, some of its constituents, and certain vehicle components contain or emit chemicals known to the State of California to cause cancer and birth defects.

NOTE: This Operator's Manual covers several models. Features may vary by model. Not all features in this manual are applicable to all models and the model depicted may differ from yours.



SAFE OPERATION PRACTICES

⚠ WARNING

⚠ This symbol points out important safety instructions which, if not followed, could endanger the personal safety and/or property of yourself and others. Read and follow all instructions in this manual before attempting to operate this tractor. Failure to comply with these instructions may result in personal injury. When you see this symbol. **HEED ITS WARNING!**

⚠ DANGER

This attachment was built to be operated according to the safe operation practices in this manual. Carelessness or error on the part of the operator can result in serious injury. Tractors are capable of amputating hands and feet and throwing objects. Failure to observe the following safety instructions, as well as the safety instructions provided with your tractor, could result in serious injury or death.

General Operation

1. Read, understand and follow all instructions on your equipment and in their manuals before attempting to assemble and operate. Keep this manual in a safe place for future and regular reference and for ordering replacement parts.
2. To help avoid blade contact or a thrown object injury, keep bystanders, helpers, children and pets at least 75 feet from the tractor while it is in operation. Stop tractor if anyone enters the area.
3. Thoroughly inspect the area where the equipment is to be used. Remove all stones, sticks, wire, bones, toys and other foreign objects which could be picked up and thrown by the blade(s). Thrown objects can cause serious personal injury.
4. Always wear safety glasses or safety goggles during operation and while performing an adjustment or repair to protect your eyes. Thrown objects which ricochet can cause serious injury to the eyes.
5. Do not operate the tractor without the discharge cover or entire grass catcher in its proper place. A missing or damaged discharge cover or grass bag attachment component may result in thrown objects or blade contact injuries.
6. Do not put hands or feet near rotating parts or under the cutting deck. Contact with the blade(s) can amputate hands and feet.
7. Shut off tractor's engine and wait for blades to come to a complete stop before unclogging tractor's discharge opening or bagger parts.
8. Slow down before turning. Operate the tractor smoothly. Avoid erratic operation and excessive speed. Be aware that a grass catcher attachment can affect the handling characteristics of your tractor.
9. Disengage blade(s), set parking brake, stop engine and wait until the blade(s) come to a complete stop before opening bagger attachment's top cover, removing grass catcher, emptying grass, unclogging chute, removing any grass or debris or making any adjustments. Never leave a running tractor unattended. Always turn off blade(s), place transmission in neutral, set parking brake, stop engine and remove key before dismounting.
10. Your tractor is designed to cut normal residential grass. Do not attempt to mow through unusually tall, dry grass (e.g., pasture) or piles of dry leaves. Dry grass or leaves may contact the engine exhaust and/or build up on the tractor deck presenting a potential fire hazard.
11. If situations occur which are not covered in this manual, use care and good judgment. Contact your customer service representative for assistance.



Slope Operation

Slopes are a major factor related to loss of control and tip-over accidents which can result in severe injury or death. Attachments can also affect the stability of the tractor. All slopes require extra caution.

For your safety, use the slope gauge included as part of this manual to estimate the angle of slopes before operating this tractor on a sloped or hilly area. If the slope is greater than 10 degrees or 17 percent as shown on the slope gauge, do not operate the tractor with the grass bag attachment installed on that area or serious injury could result.

Safety Symbols

This table depicts and describes safety symbols that may appear on this product. Read, understand and follow all instructions on the tractor before attempting to assemble and operate.

Symbol	Description
	READ THE OPERATOR'S MANUAL(S) Read, understand and follow all instructions in the manual(s) before attempting to assemble and operate.
	STOP Turn OFF the engine before opening the bagger cover.

⚠ WARNING

Your Responsibility — Restrict the use of this tractor to persons who read, understand and follow the warnings and instructions in this manual and on the tractor. SAVE THESE INSTRUCTIONS!

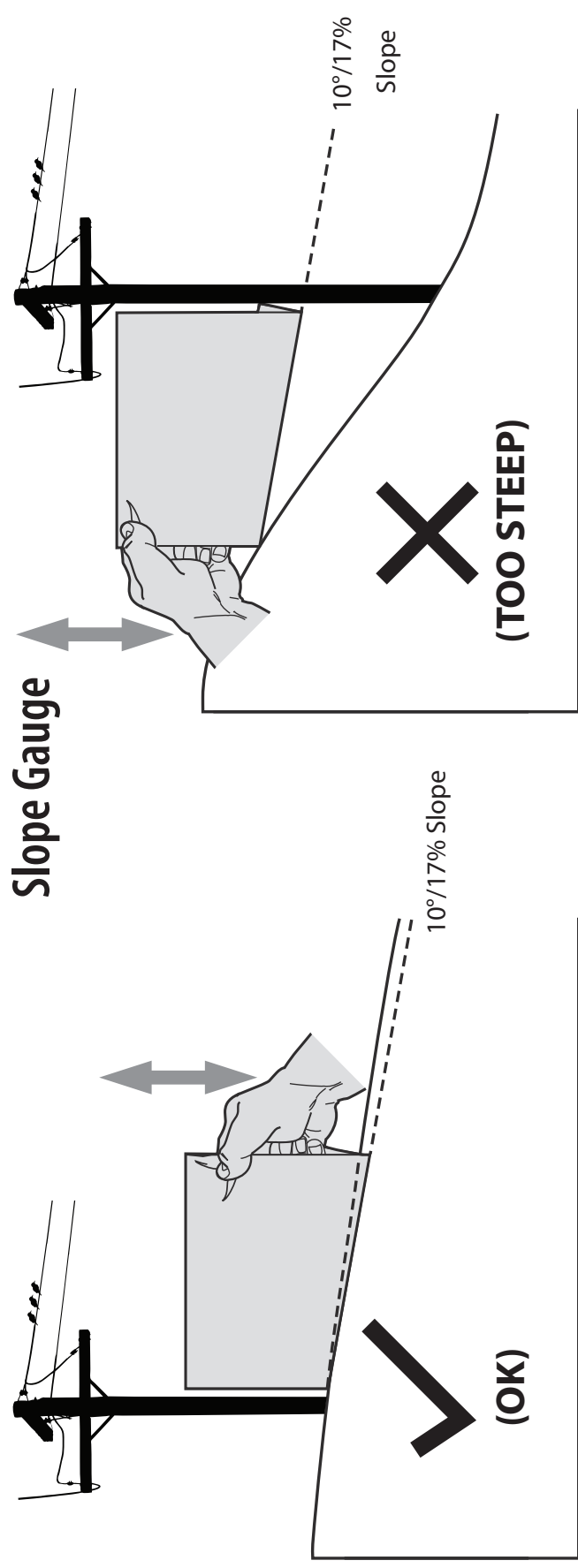


Figure 1

**USE THIS SLOPE GAUGE TO DETERMINE
IF A SLOPE IS TOO STEEP FOR SAFE OPERATION!**

To check the slope, proceed as follows:

1. Remove this page and fold along the dashed line.
2. Locate a vertical object on or behind the slope (e.g. a pole, building, fence, tree, etc.)
3. Align either side of the slope gauge with the object (See Figure 1 and Figure 2).
4. Adjust gauge up or down until the left corner touches the slope (See Figure 1 and Figure 2).
5. If there is a gap below the gauge, the slope is too steep for safe operation (See Figure 2 above).

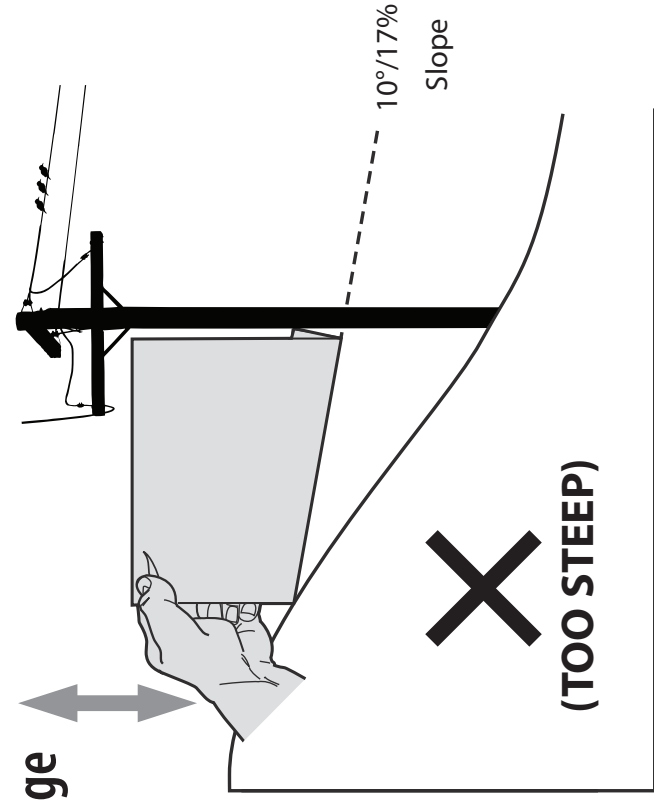
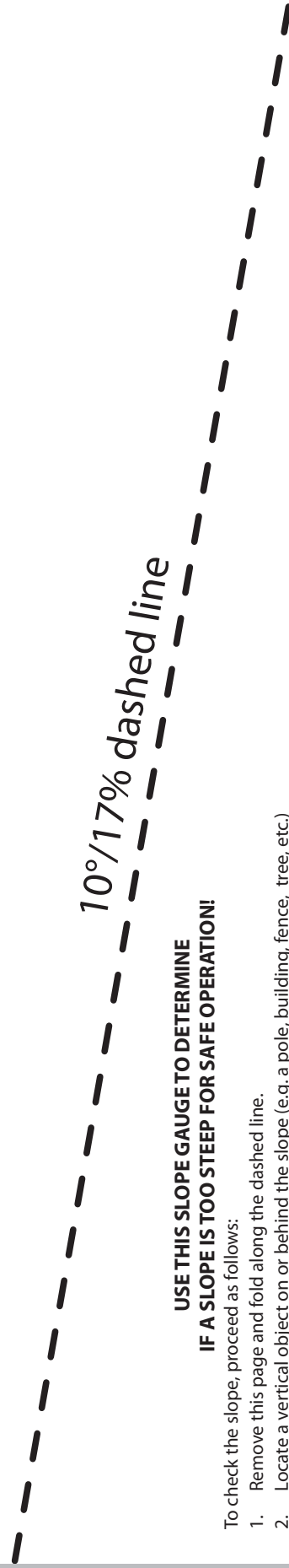


Figure 2



▲ WARNING

Slopes are a major factor related to tip-over and roll-over accidents which can result in severe injury or death. DO NOT operate tractor on slopes in excess of 10 degrees. All slopes require extra caution. If you cannot back up the slope or if you feel uneasy on it, do not mow it. Always mow up and down slopes, never across the face of slopes.

CONTENTS OF CARTON

Thank You

Thank you for purchasing a bagging attachment. It was carefully engineered to provide excellent performance when properly operated and maintained.

Please read this entire manual prior to operating the equipment. It instructs you how to safely and easily set up, operate and maintain your equipment. Please be sure that you, and any other persons who will operate the machine, carefully follow the recommended safety practices at all times. Failure to do so could result in personal injury or property damage.

All information in this manual is relative to the most recent product information available at the time of printing. Review this manual frequently to familiarize yourself with the equipment, its features and operation. Please be aware that this Operator's Manual may cover a range of product specifications for various models. Characteristics and features discussed and/or illustrated in this manual may not be applicable to all models. We reserve the right to change product specifications, designs and equipment without notice and without incurring obligation.

If you have any problems or questions concerning this equipment, phone your local dealer or contact us directly. We want to ensure your complete satisfaction at all times.

Throughout this manual, all references to *right* and *left* side of the machine are observed from the operating position.

42/46" Double Bagger

Before beginning installation, remove all parts from the carton to make sure everything is present. Carton contents are listed below and shown in Figure 1. The hardware pack(s) included in this kit are detailed at the end of this section.

- Boot Assembly - 731-09329A
- Grass Bag Assembly (2) - 664-05104
- Vertical Bagger Support - 683-04519C
- Grass Bag Support - 683-05329A
- End Plugs (4) - 735-0246A (pre-installed)
- Bagger Cover - 631-05474B
- Bagger Vent Wall Assembly - 631-05491B
- Bagger Cover Left Side Wall - 731-12350B
- Hose - 764-05082
- Lower Hose Connection - 731-12353A (pre-installed)
- Hinge Pin - 711-06701
- Adapter Bracket - 789-02278
- Hitch Adapter Bracket - 789-02298
- RZT Bagger Weight - 719-04271A
- Weight Plates (3) - 789-02137
- Weight Hanger Bracket Left - 789-02197
- Weight Hanger Bracket Right - 789-02198
- Hardware Pack - 689-01419
- Bagger Boot Hardware Pack - 689-00636
- Anti-marking Adhesive Strips - 777X52246

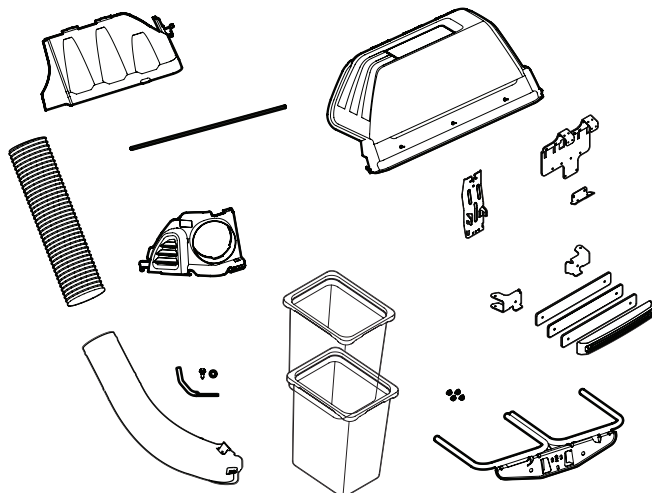


Figure 1

50/54" Double Bagger

Before beginning installation, remove all parts from the carton to make sure everything is present. Carton contents are listed below and shown in Figure 2. The hardware pack(s) included in this kit are detailed at the end of this section.

- Boot Assembly - 631-09698
- Grass Bag Assembly (2) - 664-05104
- Vertical Bagger Support - 683-04519C
- Grass Bag Support - 683-05329A
- Chute Adapter - 731-10133
- End Plugs (4) - 735-0246A (pre-installed)
- Bagger Cover - 631-05474B
- Bagger Vent Wall Assembly - 631-05491B
- Bagger Cover Left Side Wall - 731-12350B
- Hose - 764-05135
- Lower Hose Connection - 731-12353A (pre-installed)
- Hinge Pin - 711-06701
- Adapter Bracket - 789-02278
- Hitch Adapter Bracket - 789-02298
- RZT Bagger Weight - 719-04271A
- Weight Plates (3) - 789-02137
- Weight Hanger Bracket Left - 789-02197
- Weight Hanger Bracket Right - 789-02198
- Hardware Pack - 689-01419
- Bagger Boot Hardware Pack - 689-02199
- Anti-marking Adhesive Strips - 777X52246

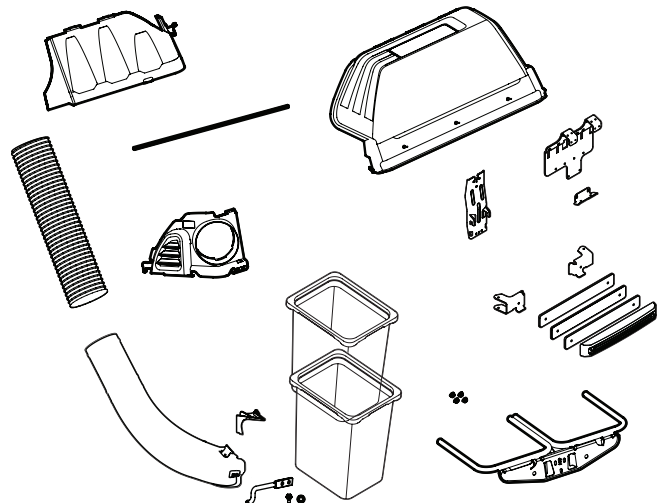


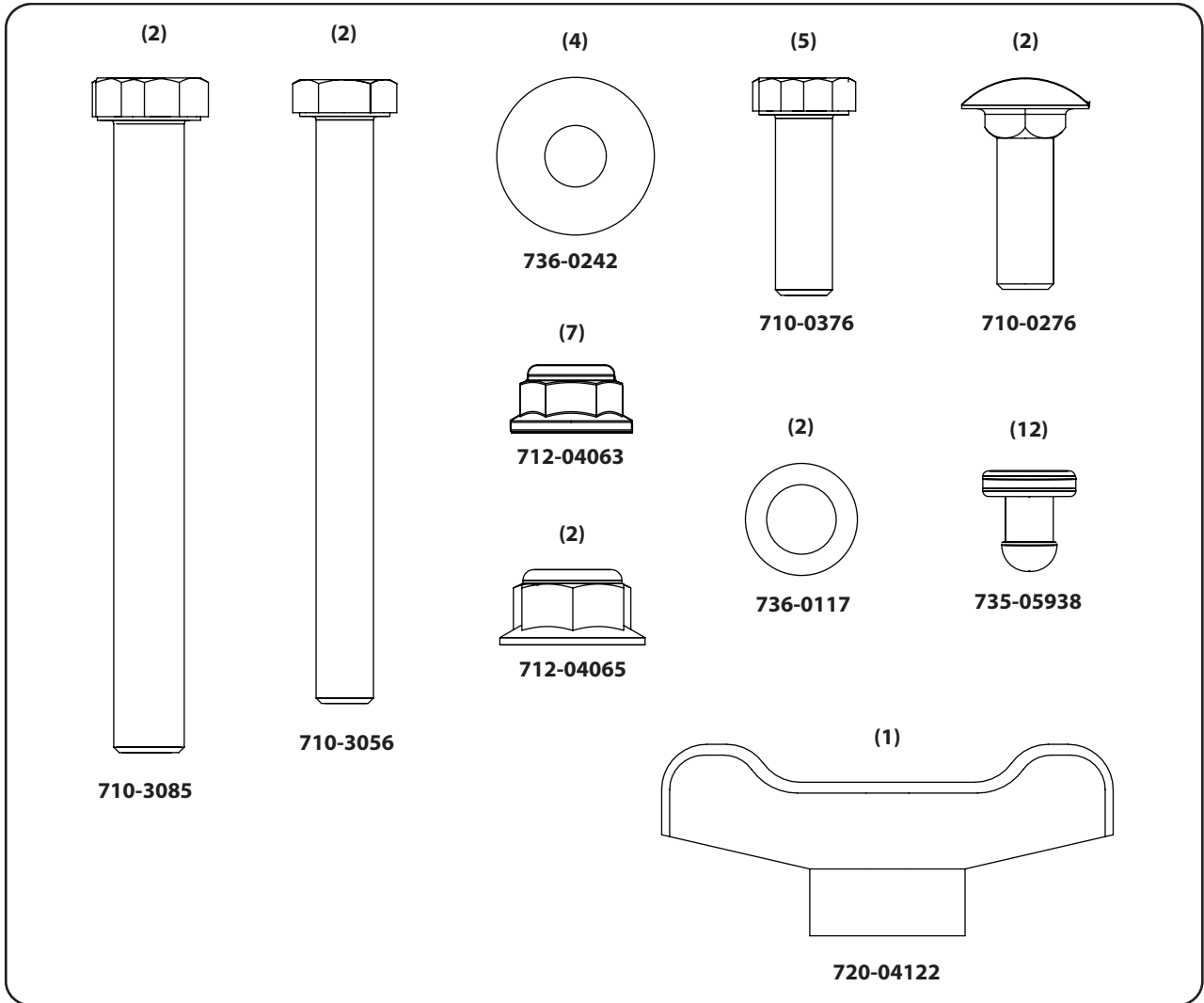
Figure 2

CONTENTS OF CARTON

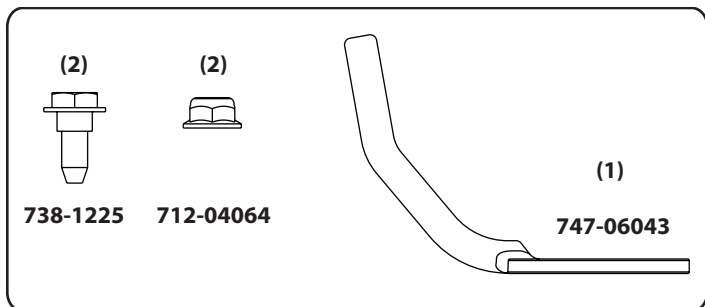
Contents of Hardware Pack

Please check your hardware packs against the illustrations below. The quantities for each item are listed in parentheses.

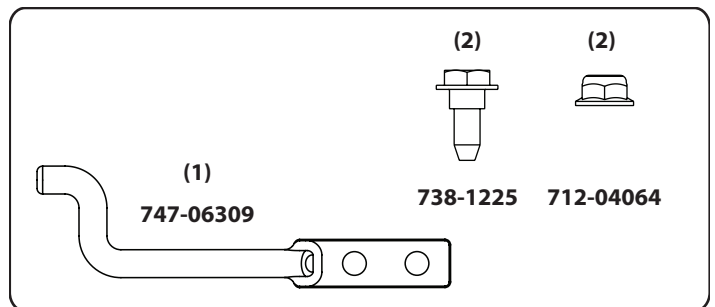
Hardware Pack 689-01419



42"/46" Hardware Pack 689-00636



50"/54" Hardware Pack 689-02199



ASSEMBLY & INSTALLATION

NOTE: References to left, right, front and rear of the tractor are from the operator's position, unless otherwise stated.

- Before assembly, place the tractor on a firm, level surface, disengage the PTO, stop the tractor engine and set the parking brake.

Assemble Mounting Brackets

1. Install 12 rubber pads (735-05938) into adapter bracket (789-02278) using the mounting holes shown in Figure 3.

NOTE: This kit includes two extra rubber pads.

NOTE: Check the bumper pads after each season for excessive wear and replace as necessary.

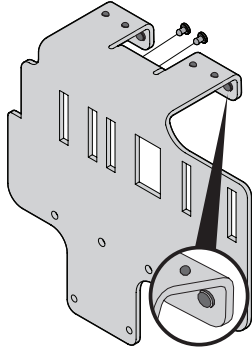


Figure 3

Install Bracket Assembly on Tractor

NOTE: When assembling this mounting assembly, it is best to not fully tighten the bracket at this time. This will facilitate the mounting process in later steps, which will then require fully tightening this mounting assembly.

Install mounting bracket assembly on tractor as follows:

1. Remove hitch bracket.
2. Place two flat washers (736-0117) between hitch bracket adapter (789-02298) and the hitch bracket removed in Step 1.
3. Install bracket assembly to the tractor's lower frame with two capscrews (710-0376). See Figure 4.
4. Hang adapter bracket assembly onto upper frame tube and connect to hitch bracket adapter (789-02298) with two screws (710-0376), two cup washers (736-0242), and two flange lock nuts (710-04063). See Figure 5.

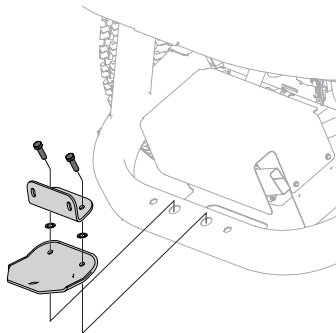


Figure 4

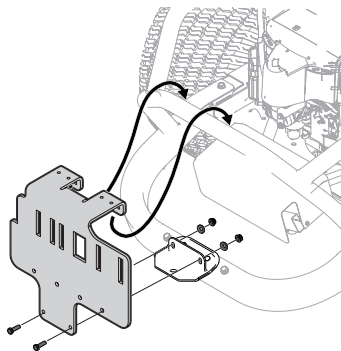


Figure 5

NOTE: Make sure that the adapter bracket is seated firmly on the upper tube frame.

5. Tighten all of the hardware installed at this time.

Install Vertical Support

NOTE: This manual covers various bagger configurations. Please follow the instructions applicable to your machine.

1. Using Figure 6 and the chart below, locate the correct mounting hole location on the mounting bracket for your tractor:

Model No.	Description	Position
19A70054*	42"/46" Double Bagger	4
19A70055*	50"/54" Double Bagger	3

NOTE: Hole position 2 is currently not used.

2. Install the vertical support bracket onto the mounting assembly on the tractor by hooking it over the mounting assembly as shown in Figure 7.
3. Secure the upright support bracket to the mounting assembly using a hex bolt (710-0376) and flange lock nut (712-04063) from hardware pack 689-01419. See Figure 7.

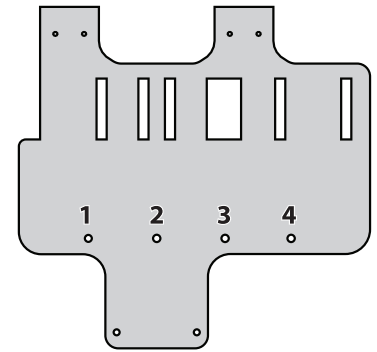


Figure 6

Install Hanger Assembly

1. Install and secure the hanger assembly onto the upright support bracket using two carriage bolts (710-0276), two cup washers (736-0242) and two flange lock nuts (712-04063) from hardware pack 689-01419. See Figure 8.

NOTE: The carriage bolts (710-0276), from hardware pack 689-01419, go in the top hole with the nut facing the engine. The hex bolt (710-0376), from the same hardware pack, goes in the bottom hole.

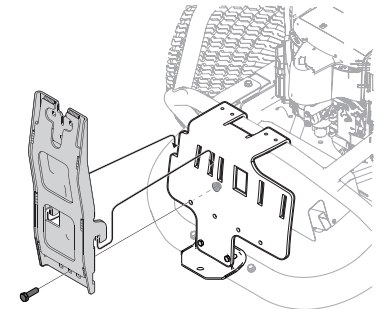


Figure 7

Install Top Bagger Components

With the mounting brackets assembled and in place on the tractor, follow these steps to assemble the remaining bagger components.

1. **If not already installed by the factory,** snap the vent cover into the holes found on the chute support assembly.

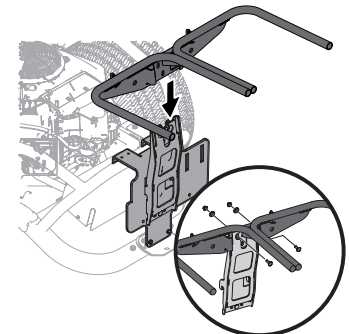


Figure 8

ASSEMBLY & INSTALLATION

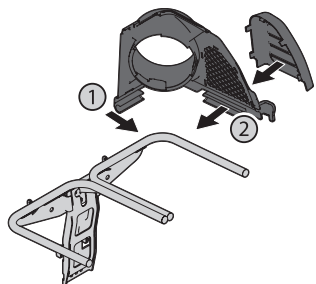


Figure 9

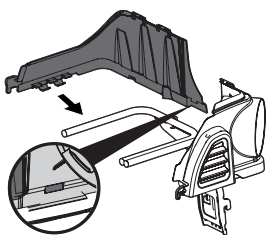


Figure 10

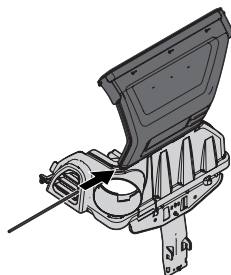


Figure 11

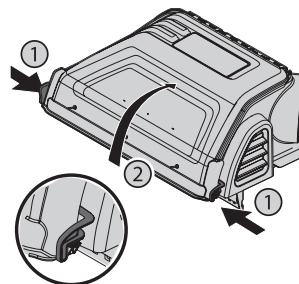


Figure 12

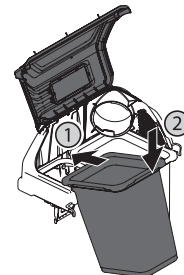


Figure 13

2. Snap the plastic upper chute support in place by first clipping the side portion onto the bagger support rail (1) as shown in Figure 9.
3. Snap the front side of the chute support to the rail (2) as shown in Figure 9.
4. Snap the top cover support on to the bagger support rail at a slight angle. Rotate the assembly down and into the chute support assembly, making sure that the tab (shown in inset of Figure 10) is locked into place.
5. Install the bagger top cover by aligning the tabs of the cover and sliding the mounting pin into the channel as shown in Figure 11.
6. Open hood by pushing in on the rear side tabs with your hand (1), and lifting the cover with your other hand in the center rear of the bagger cover (2) as shown in Figure 12.
7. Install both bag assemblies onto the bag support brackets by inserting the front edge in first (1), and then setting the back edge down until it fits into the assembly (2) as shown in Figure 13.

Installing the Boot Rod and Hardware

Model 19A70054*:

1. From the inside of the boot, put the two hex head screws (738-1225) through the holes at the bottom front of the boot. See Figure 14.
2. Put the mounting rod (747-06043) in place over the hex head screws. Make sure the tip of the rod is facing out from the boot. See Figure 14.
3. Begin threading the two flange lock nuts (712-04064) onto the hex head screws. See Figure 14.
4. Using a 7/16" wrench or socket on the screw and a 7/16" box wrench on the lock nuts, tighten down so flange is flush to secure the assembly.

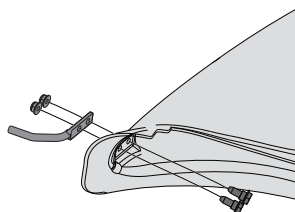


Figure 14

Model 19A70055*:

1. From the inside of the boot, put the two hex head screws (738-1225) through the holes at the bottom front of the boot. See Figure 15.
2. Put the mounting rod (747-06309) in place over the hex head screws. Make sure the tip of the rod is facing out from the boot. See Figure 15.
3. Begin threading the two flange lock nuts (712-04064) onto the hex head screws. See Figure 15.

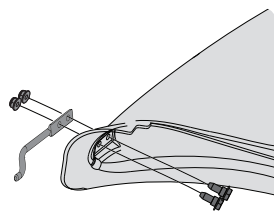


Figure 15

4. Using a 7/16" wrench or socket on the screw and a 7/16" box wrench on the lock nuts, tighten down so flange is flush to secure the assembly.

Installing the Discharge Chute - 42"/46" Double Bagger

1. With the tractor's discharge chute raised up and held open (1), install the chute elbow by placing the chute elbow mounting rod into the chute mounting tab (2), as shown in Figure 16.
2. Secure the chute elbow to the deck using a wing knob (720-04122) from hardware pack 689-01419. See Figure 17.

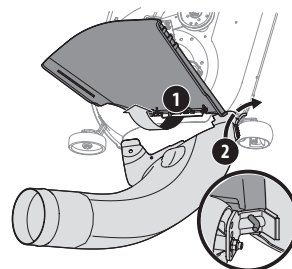


Figure 16

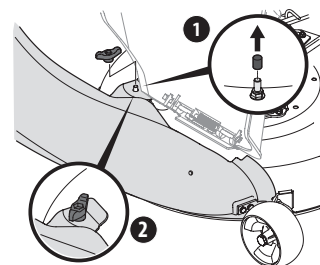


Figure 17

NOTE: If present, remove the protective cap off of the mounting stud on the mowing deck as shown in the upper inset of Figure 17.

IMPORTANT: Be certain that the bottom of the discharge chute is located inside of the lip of the deck opening, as shown in Figure 18.

Installing the Discharge Chute - 50"/54" Double Bagger

When installing the discharge chute, two different installation instructions exist. For the 54" Fabricated deck units, the discharge chute elbow mounts directly onto the cutting deck. For the 50" and 54" stamped decks, an adapter must first be installed. Be sure to follow the instructions that pertain to the unit you are installing this bagger on.

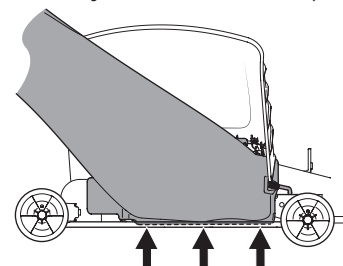


Figure 18

54" Fabricated Deck Units:

1. Raise the deck to its highest position.
2. Raise the chute deflector (1 in Figure 19) on the deck and hold it while you position the discharge chute over the chute opening.

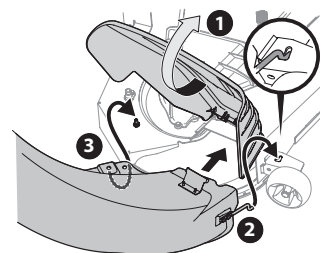


Figure 19

ASSEMBLY & INSTALLATION

3. Insert the end of the discharge chute elbow (2) into the hole provided in the deck wheel mount as shown in the inset of Figure 19.
4. Pivot the discharge chute rearward until the hole in the discharge chute elbow aligns with the pin on the deck. Move the discharge elbow down onto that pin as shown in 3 of Figure 19.
5. Secure the discharge chute elbow to the cutting deck using a wing knob (720-04122) from hardware pack 689-01419. Refer to Figure 20.

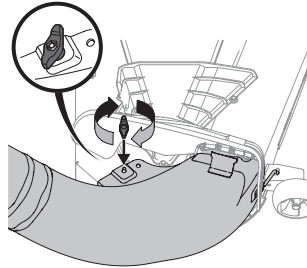


Figure 20

4. If open, close the grass catcher cover prior to mowing.

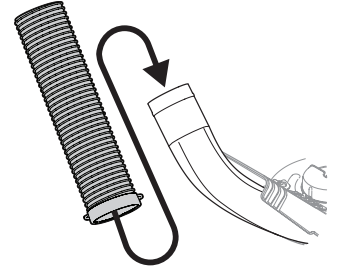


Figure 25

On 50" and 54" Stamped Decks:

1. Raise the deck to its highest position.
2. Remove the deck pin rubber protective cap (1) in Figure 21.
3. Raise the chute deflector (2 in Figure 21) on the deck and hold it while you install the chute adapter (731-10133) (3) onto the deck as shown in Figure 21.
4. Insert the end of the discharge chute elbow (1) into the hole provided in the deck wheel mount as shown in the inset of Figure 22.
5. Pivot the discharge chute rearward until the hole in the discharge chute elbow aligns with the pin on the deck adapter. Move the discharge elbow down onto that pin as shown in 2 of Figure 22.
6. Secure the discharge chute elbow to the cutting deck using a wing knob (720-04122) included in hardware pack 689-01419. Refer to Figure 23.

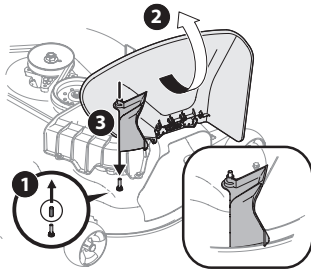


Figure 21

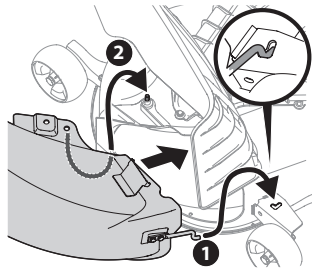


Figure 22

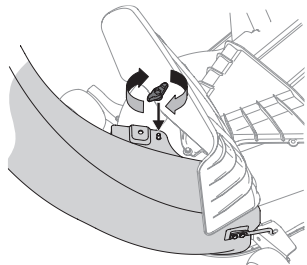


Figure 23

Installing the Upper Chute Tube

1. Thread the upper end of the chute tube securely into the upper chute support. There are two tabs on the lower inside part of the upper chute support to allow for secure threading. See Figure 24.
- NOTE:** The chute tube and upper chute support are **left-hand threaded**. Thread counterclockwise until secure.
2. Lift by the handles at the bottom of the chute tube. Slide the chute tube over the chute elbow mounted on the cutting deck, as shown in Figure 25.
 3. Make sure the connection is secure and there are no gaps between the chute tube and the chute elbow.

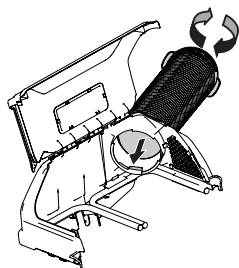


Figure 24

Install The Counter Weight

⚠ WARNING

This front-weight kit is required when operating any compatible zero-turn tractor models equipped with a grass collector. Failure to install this kit may result in serious injury or death.

⚠ WARNING

Before beginning installation, place the zero-turn tractor on a firm and level surface, set the parking brake, place the PTO in the disengaged (OFF) position, stop the motor and remove the ignition key to prevent unintended starting.

1. Before assembly, peel the adhesive decals from the sheet and apply to the inside faces of the right and left weight hanger brackets, as shown in Figure 26.
2. Attach the weight and three weight plates to the weight hanger brackets with two 3/8" Hex head capscrews (710-3085) and two nuts (712-04065) as shown in Figure 27.
3. Visually center the weight bar assembly on the tractor and using two 7/16" Hex head capscrews (710-3056) and two nuts (712-04063) secure the counter weight assembly to the tractor as shown in Figure 28.

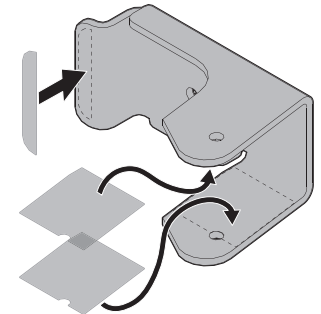


Figure 26

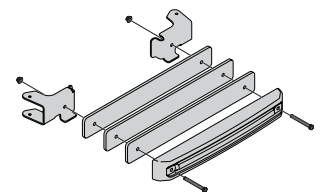


Figure 27

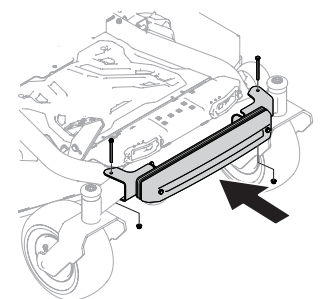


Figure 28

OPERATION

Double Bagger Usage

NOTE: When both grass bags are full, place the tractor on a firm, level surface, disengage the PTO, turn the tractor engine off and set the parking brake.

1. Open hood by pushing in on the rear side tabs with your hand (1), and lifting the cover with your other hand in the center rear of the bagger cover (2) as shown in Figure 29.
2. Do not remove the chute tube assembly from the tractor.
3. Remove both bag assemblies from the bag support branches by lifting the back edge up first, and then sliding the front edge out and up until it is clear of the frame. See Figure 30.
4. Empty the grass clippings at a proper disposal site, use the handle at the bottom of each grass bag. Holding the bag firmly, empty the contents.
5. Replace grass bags, close lid, flip down seat, restart your tractor, release parking brake and resume cutting your grass.

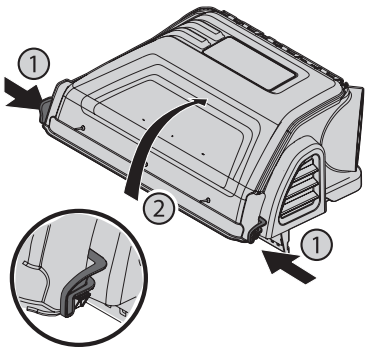


Figure 29

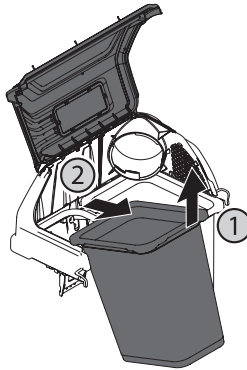


Figure 30

MANUFACTURER'S LIMITED WARRANTY FOR



The limited warranty set forth below is given by MTD LLC with respect to new merchandise purchased and used in the United States and/or its territories and possessions, and by MTD Products Limited with respect to new merchandise purchased and used in Canada and/or its territories and possessions (either entity respectively, "MTD").

"MTD" warrants this product (excluding its *Normal Wear Parts* and *Attachments* as described below) against defects in material and workmanship for a period of one (1) year commencing on the date of original purchase and will, at its option, repair or replace, free of charge, any part found to be defective in materials or workmanship. This limited warranty shall only apply if this product has been operated and maintained in accordance with the Operator's Manual furnished with the product, and has not been subject to misuse, abuse, commercial use, neglect, accident, improper maintenance, alteration, vandalism, theft, fire, water, or damage because of other peril or natural disaster. Damage resulting from the installation or use of any part, accessory or attachment not approved by MTD for use with the product(s) covered by this manual will void your warranty as to any resulting damage.

Normal Wear Parts are warranted to be free from defects in material and workmanship for a period of thirty (30) days from the date of purchase. Normal wear parts include, but are not limited to items such as: batteries, belts, blades, blade adapters, tines, grass bags, wheels, rider deck wheels, seats, snow thrower skid shoes, friction wheels, shave plates, auger spiral rubber and tires.

Attachments — MTD warrants attachments for this product against defects in material and workmanship for a period of one (1) year, commencing on the date of the attachment's original purchase or lease. Attachments include, but are not limited to items such as: grass collectors and mulch kits.

HOW TO OBTAIN SERVICE: Warranty service is available, WITH PROOF OF PURCHASE, through your local authorized service dealer. To locate the dealer in your area:

In the U.S.A.

Check your Yellow Pages, or contact MTD LLC at P.O. Box 361131, Cleveland, Ohio 44136-0019, or call 1-800-800-7310, 1-330-220-4683 or log on to our Web site at www.mtdproducts.com.

In Canada

Contact MTD Products Limited, Kitchener, ON N2G 4J1, or call 1-800-668-1238 or log on to our Web site at www.mtdcanada.com.

This limited warranty does **not** provide coverage in the following cases:

- a. Log splitter pumps, valves, and cylinders have a separate one-year warranty.

- b. Routine maintenance items such as lubricants, filters, blade sharpening, tune-ups, brake adjustments, clutch adjustments, deck adjustments, and normal deterioration of the exterior finish due to use or exposure.
- c. Service completed by someone other than an authorized service dealer.
- d. MTD does not extend any warranty for products sold or exported outside of the United States and/or Canada, and their respective possessions and territories, except those sold through MTD's authorized channels of export distribution.
- e. Replacement parts that are not genuine MTD parts.
- f. Transportation charges and service calls.
- g. MTD does not warrant this product for commercial use.

No implied warranty, including any implied warranty of merchantability or fitness for a particular purpose, applies after the applicable period of express written warranty above as to the parts as identified. No other express warranty, whether written or oral, except as mentioned above, given by any person or entity, including a dealer or retailer, with respect to any product, shall bind MTD. During the period of the warranty, the exclusive remedy is repair or replacement of the product as set forth above.

The provisions as set forth in this warranty provide the sole and exclusive remedy arising from the sale. MTD shall not be liable for incidental or consequential loss or damage including, without limitation, expenses incurred for substitute or replacement lawn care services or for rental expenses to temporarily replace a warranted product.

Some states do not allow the exclusion or limitation of incidental or consequential damages, or limitations on how long an implied warranty lasts, so the above exclusions or limitations may not apply to you.

In no event shall recovery of any kind be greater than the amount of the purchase price of the product sold. **Alteration of safety features of the product shall void this warranty.** You assume the risk and liability for loss, damage, or injury to you and your property and/or to others and their property arising out of the misuse or inability to use the product.

This limited warranty shall not extend to anyone other than the original purchaser or to the person for whom it was purchased as a gift.

HOW STATE LAW RELATES TO THIS WARRANTY: This limited warranty gives you specific legal rights, and you may also have other rights which vary from state to state.

IMPORTANT: Owner may be required to present proof of purchase to obtain warranty coverage.

MTD LLC, P.O. BOX 361131 CLEVELAND, OHIO 44136-0019; Phone: 1-800-800-7310, 1-330-220-4683
MTD Canada Limited - KITCHENER, ON N2G 4J1; Phone 1-800-668-1238

MANUAL DEL OPERADOR

Embolsadoras posteriores Modelo N.º 19A70054OEM y 19A70055OEM

Registro de información de producto

Antes de configurar y hacer funcionar su equipo nuevo, por favor localice la placa de modelo en el equipo y registre la información en el espacio de la derecha. Podrá localizar la placa de modelo en la parte exterior de la cubierta de la embolsadora. La placa de modelo contiene los números de serie y de modelo de la unidad. Necesitará esta información si tiene que solicitar soporte técnico a través de nuestro sitio web, el Servicio de Atención al Cliente, o de un distribuidor local de servicio autorizado.

NÚMERO DE MODELO

--	--	--	--	--	--	--	--	--	--	--	--

NÚMERO DE SERIE

--	--	--	--	--	--	--	--	--	--	--	--

Índice

<i>Medidas de seguridad</i>	12	<i>Funcionamiento</i>	19
<i>Contenido de la caja</i>	14	<i>Garantía</i>	20
<i>Armado e Instalación</i>	16	<i>Français</i>	21

⚠ ADVERTENCIA

Lea y observe todas las normas e instrucciones de seguridad incluidas en este manual antes de poner en funcionamiento la máquina. Si no sigue estas instrucciones puede provocar lesiones personales.

⚠ ADVERTENCIA

California Proposition 65

Este producto contiene una sustancia química que según el Estado de California puede producir cáncer, defectos de nacimiento u otros problemas reproductivos.

NOTA: Este manual de operación corresponde a numerosos modelos. Las características técnicas pueden variar según los modelos. No todas las características técnicas que se incluyen en este manual se aplican a todos los modelos y la máquina que se ilustra aquí puede diferir de la suya.

Formulario N.º 769-21372A
(30 de agosto de 2019)

MEDIDAS DE SEGURIDAD

▲ ADVERTENCIA

▲ Este símbolo indica instrucciones de seguridad importantes que, de no seguirse, podrían poner en peligro la seguridad personal y/o la propiedad suya y de terceros. Lea y cumpla todas las instrucciones de este manual antes de intentar hacer funcionar esta tractora. Si no sigue estas instrucciones, se pueden provocar lesiones personales. Cuando vea este símbolo. ¡TENGA EN CUENTA LA ADVERTENCIA!

▲ ADVERTENCIA

Este accesorio está diseñado para ser usado respetando las normas de seguridad contenidas en este manual. Un descuido o un error por parte del operador puede ocasionar lesiones graves. Una cortadora es capaz de amputar manos y pies y de arrojar objetos con gran fuerza. Si no se respetan las siguientes instrucciones de seguridad junto con las instrucciones suministradas con la cortadora, se pueden ocasionar lesiones graves e incluso la muerte.

Funcionamiento general

1. Lea, comprenda y respete todas las instrucciones que figuran en el equipo y en los manuales antes de intentar armarlo y hacerlo funcionar. Guarde este manual en un lugar seguro para consultas futuras y periódicas, así como para solicitar repuestos.
2. Para ayudar a evitar una lesión por contacto con las cuchillas o con un objeto que sea arrojado, mantenga a los observadores, a los ayudantes, a niños y mascotas alejados a no menos de 75 pies de la cortadora mientras está funcionando. Pare la tractora si alguien ingresa a la zona.
3. Revise minuciosamente el área donde se va a usar el equipo. Saque todas las piedras, palos, cables, huesos, juguetes y demás objetos extraños que puedan ser recogidos y arrojados por las cuchilla(s). Los objetos arrojados por la tractora pueden producir lesiones personales graves.
4. Para protegerse los ojos, utilice siempre anteojos o antiparras de seguridad durante la operación o mientras realiza ajustes o reparaciones. Los objetos arrojados que rebotan pueden producir lesiones graves en los ojos.
5. Nunca opere la cortadora de césped si no está bien colocada la cubierta de descarga o el colector de césped completo. Si falta la cubierta de descarga o está dañada o un componente del accesorio de embolsadora falta, se pueden producir lesiones por contacto con la cuchilla o con objetos arrojados.
6. No ponga las manos ni los pies cerca de las piezas rotatorias ni debajo de la plataforma de corte. El contacto con las cuchilla(s) puede amputar manos y pies.
7. Apague el motor de la cortadora de césped y espere que las cuchillas se detengan totalmente antes de desbloquear la abertura de descarga de la cortadora o las piezas de la embolsadora.
8. Reduzca la velocidad antes de girar. Haga funcionar la tractora de manera uniforme. Evite que funcione de manera errática y a excesiva velocidad. Tenga en cuenta que el accesorio colector de césped puede afectar las características de manejo de su cortadora.
9. Desenganche la o las cuchilla(s), coloque el freno de mano, detenga el motor y espere hasta que las cuchillas se detengan totalmente antes de abrir la cubierta superior del accesorio embolsador, sacar el colector de césped, vaciar los recortes, desbloquear el canal, retirar cualquier residuo o desecho o realizar cualquier ajuste. Nunca deje la tractora encendida sin atención. Siempre desconecte las cuchillas, ponga la transmisión en punto muerto, ponga el freno de mano, detenga el motor y retire la llave antes de bajarse del vehículo.
10. Su tractora está diseñada para cortar césped residencial normal. No intente cortar césped demasiado crecido, seco (como un pastizal) ni pilas de hojas secas. El césped o las hojas secas pueden entrar en contacto con el escape del motor y/o acumularse en la plataforma de corte presentando un potencial peligro de incendio.
11. Si se presentan situaciones que no están previstas en este manual, tenga cuidado y use el sentido común. Póngase en contacto con su representante de atención al cliente para obtener ayuda.



Operación en pendientes

Las pendientes son un factor importante en los accidentes ocasionados por pérdida de control y vuelcos que pueden causar lesiones graves e incluso la muerte. Los accesorios también pueden afectar la estabilidad de la tractora. Todas las pendientes requieren precaución extra.

Para su seguridad, use el medidor de pendientes que se incluye como parte de este manual para calcular el ángulo de las pendientes antes de hacer funcionar la tractora en una zona accidentada. Si la pendiente aparece como mayor de 10 grados o 17 porcentaje en el medidor, no haga funcionar la cortadora con el accesorio para bolsas de césped en ese sector, pues podría causar lesiones graves.

Símbolos de seguridad

En esta tabla se presentan y describen los símbolos de seguridad que pueden aparecer en este producto. Lea, entienda y cumpla todas las instrucciones incluidas en la tractora antes de intentar realizar el montaje de la unidad y utilizarla.

Símbolo	Descripción
	Lea, entienda y cumpla todas las instrucciones incluidas en los manuales antes de realizar el montaje de la unidad y de utilizarla.
	DETENGA Apague el motor antes de abrir la cubierta de la embolsadora.

▲ ADVERTENCIA

Su Responsabilidad--Sólo permita que usen esta tractora eléctrica las personas que lean, comprendan y respeten las advertencias e instrucciones que aparecen en este manual y en la tractora.

¡GUARDE ESTAS INSTRUCCIONES!

Indicador de pendiente

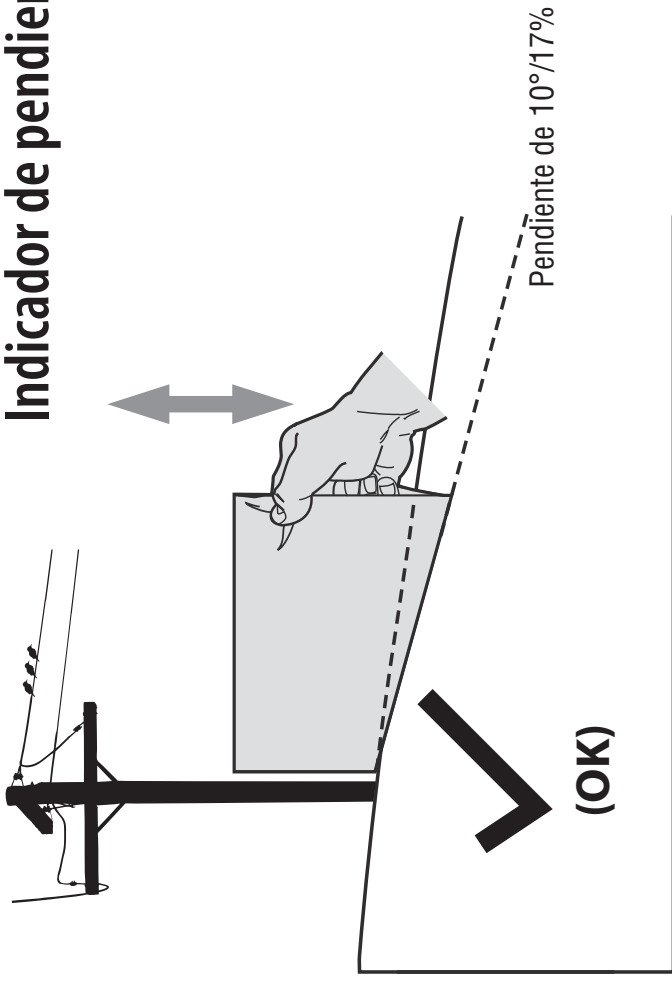


Figura 1

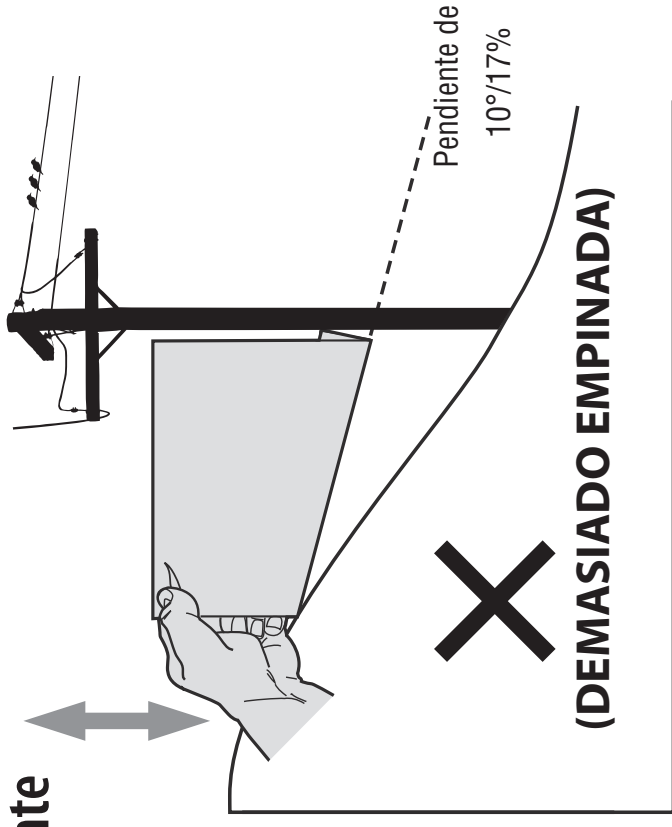
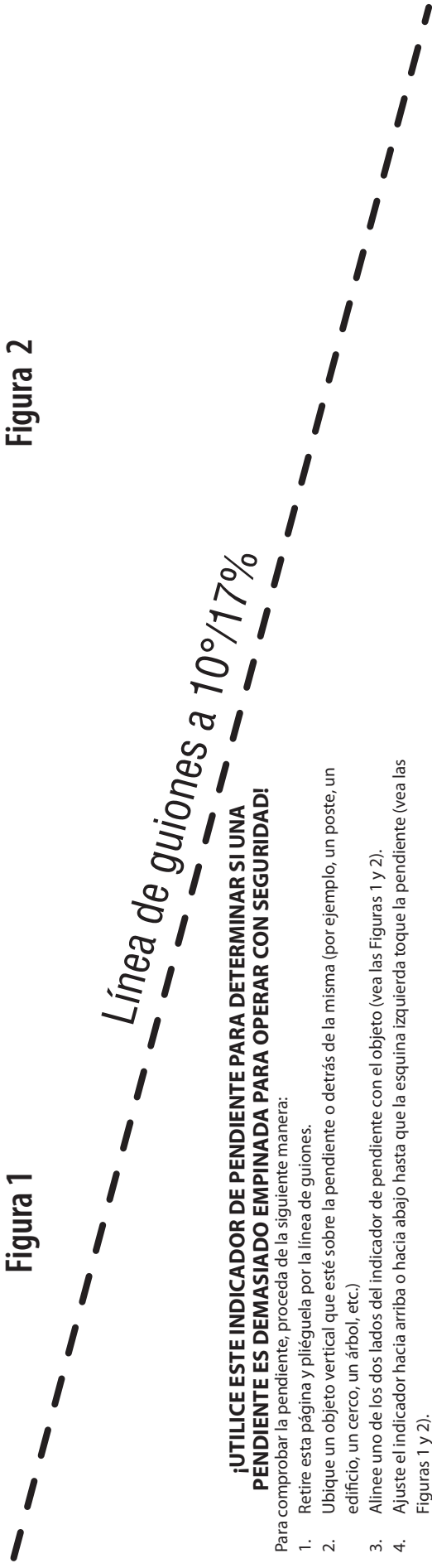


Figura 2



¡UTILICE ESTE INDICADOR DE PENDIENTE PARA DETERMINAR SI UNA PENDIENTE ES DEMASIADO EMPINADA PARA OPERAR CON SEGURIDAD!

Para comprobar la pendiente, proceda de la siguiente manera:

1. Retire esta página y plieguela por la línea de guiones.
2. Ubique un objeto vertical que esté sobre la pendiente o detrás de la misma (por ejemplo, un poste, un edificio, un cerco, un árbol, etc.)
3. Alinee uno de los dos lados del indicador de pendiente con el objeto (vea las Figuras 1 y 2).
4. Ajuste el indicador hacia arriba o hacia abajo hasta que la esquina izquierda toque la pendiente (vea las Figuras 1 y 2).
5. Si hay una separación debajo del indicador, la pendiente es demasiado empinada para operar con seguridad (vea la Figura 2 anterior).

▲ ADVERTENCIA

Las pendientes son un factor importante relacionado con accidentes por tumbos y vuelcos que pueden producir lesiones graves o la muerte. No utilice la tractora en pendientes de más de 10 grados. Todas las pendientes requieren precaución extra. Si no puede retroceder por la pendiente o si no se siente seguro, no realice ningún corte. Siempre corte hacia arriba y hacia abajo de las pendientes, nunca de manera transversal.

CONTENIDO DE LA CAJA

Muchas gracias

Gracias por comprar el accesorio de embolsado fabricado. Ha sido cuidadosamente diseñado para brindar excelente rendimiento si se lo hace funcionar y se lo mantiene correctamente.

Por favor lea todo este manual antes de hacer funcionar el equipo. El manual le indica cómo configurar, operar y mantener el equipo de manera fácil y segura. Por favor asegúrese de que usted, y cualquier otra persona que utilice la máquina, siga atentamente y en todo momento las medidas de seguridad recomendadas. De lo contrario, se podrían producir lesiones personales o daños materiales.

Toda la información contenida en este manual hace referencia a la más reciente información de producto disponible en el momento de la impresión. Revise el manual frecuentemente para familiarizarse con el equipo, sus características y funcionamiento. Por favor tenga en cuenta que este Manual del Operador puede abarcar una variedad de especificaciones de producto para diversos modelos. Es posible que las características y/o funciones incluidas y/o ilustradas en este manual no se apliquen a todos los modelos. Nos reservamos el derecho de modificar las especificaciones de los productos, diseños y equipos sin previo aviso y sin generar responsabilidad por obligaciones de ningún tipo.

Si tiene algún problema o duda con respecto a este equipo, llame a su distribuidor local o comuníquese directamente con nosotros. Queremos garantizar su entera satisfacción en todo momento.

En este manual, todas las referencias al lado derecho e izquierdo de la máquina se hacen observándola desde la posición de operación.

42/46" Embolsadora doble

Antes de comenzar la instalación, retire todas las piezas de la caja para asegurarse de que tiene todo. El contenido de la caja se indica a continuación y se ilustra en la Figura 1. Los paquetes de herrajes incluidos en este kit se detallan al final de esta sección.

- Conjunto de maletero - 731-09329A
- Conjunto de bolsas para césped (2) - 664-05104
- Soporte vertical de la embolsadora - 683-04519C
- Soporte de la bolsa para césped - 683-05329A
- Tapones de extremo (4) - 735-0246A (preinstalado)
- Cubierta de la embolsadora - 631-05474B
- Conjunto de ventilación de la embolsadora - 631-05491B
- Cubierta de la embolsadora, lateral izquierdo - 731-12350B
- Manguera - 764-05082
- Conexión de manguera inferior - 731-12353A (preinstalado)
- Pasador de bisagra - 711-06701
- Soporte del adaptador - 789-02278
- Soporte del adaptador de enganche - 789-02298
- Peso de la embolsadora RZT - 719-04217A
- Placas de peso (3) - 789-02137
- Soporte de colgador de pesas, izquierdo - 789-02197
- Soporte de colgador de pesas, derecho - 789-02198
- Paquete de herrajes - 689-01419
- Herrajes del accesorio de embolsadora - 689-00636
- Bandas adhesivas contra marcas - 777X52246

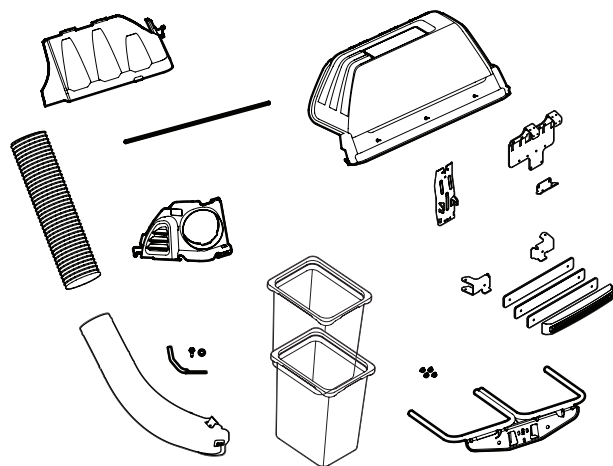


Figura 1

50/54" Embolsadora doble

Antes de comenzar la instalación, retire todas las piezas de la caja para asegurarse de que tiene todo. El contenido de la caja se indica a continuación y se ilustra en la Figura 2. Los paquetes de herrajes incluidos en este kit se detallan al final de esta sección.

- Conjunto de maletero - 631-09698
- Conjunto de bolsas para césped (2) - 664-05104
- Soporte vertical de la embolsadora - 683-04519C
- Soporte de la bolsa para césped - 683-05329A
- Adaptador de vertedero - 731-10133
- Tapones de extremo (4) - 735-0246A (preinstalado)
- Cubierta de la embolsadora - 631-05474B
- Conjunto de ventilación de la embolsadora - 631-05491B
- Cubierta de la embolsadora, lateral izquierdo - 731-12350B
- Mangueras - 764-05135
- Conexión de manguera inferior - 731-12353A (preinstalado)
- Pasador de bisagra - 711-06701
- Soporte del adaptador - 789-02278
- Soporte del adaptador de enganche - 789-02298
- Peso de la embolsadora RZT - 719-04217A
- Placas de peso (3) - 789-02137
- Soporte de colgador de pesas, izquierdo - 789-02197
- Soporte de colgador de pesas, derecho - 789-02198
- Paquete de herrajes - 689-01419
- Herrajes del accesorio de embolsadora - 689-02199
- Bandas adhesivas contra marcas - 777X52246

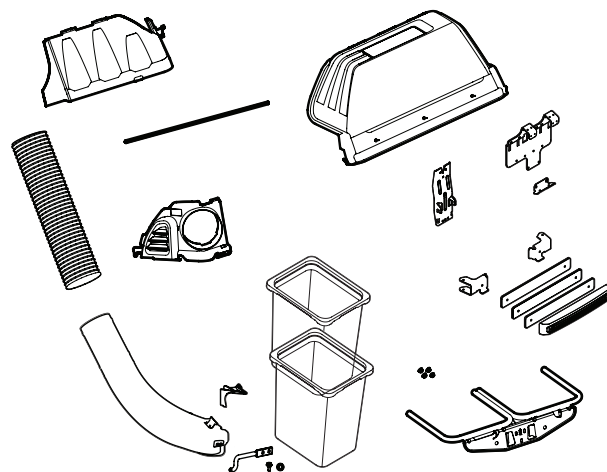


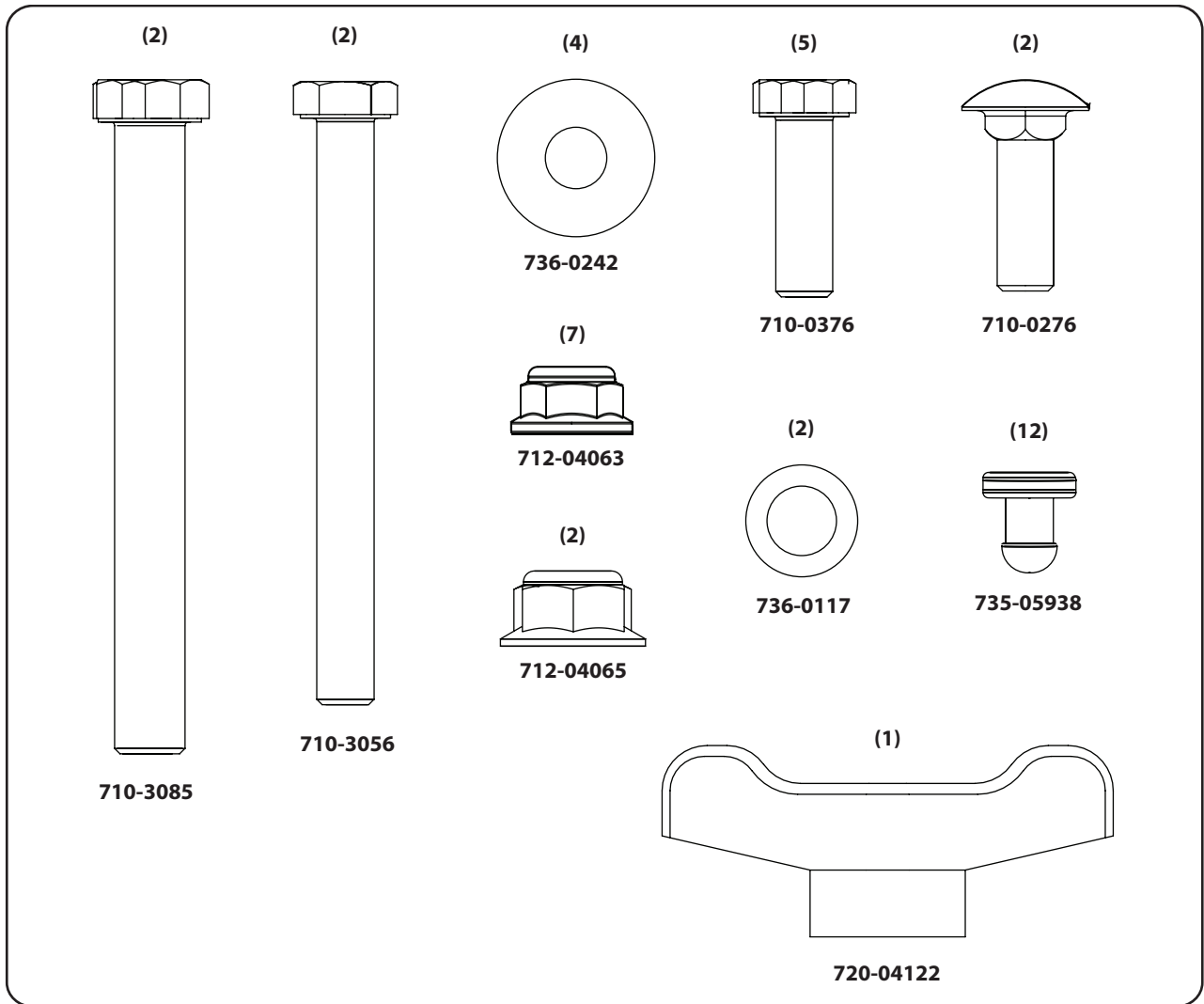
Figura 2

CONTENIDO DE LA CAJA

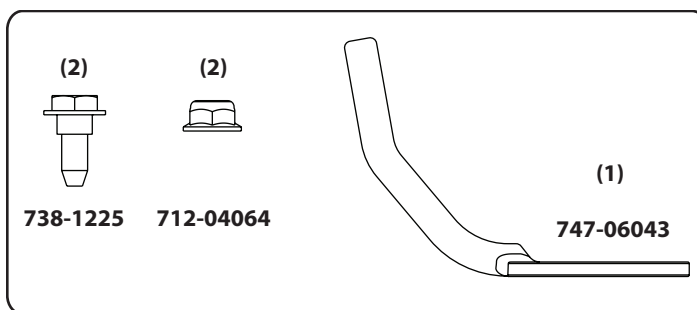
Contenido del paquete de herrajes

Por favor revise el contenido de los paquetes de herrajes con las ilustraciones siguientes. Las cantidades para cada elemento aparecen entre paréntesis.

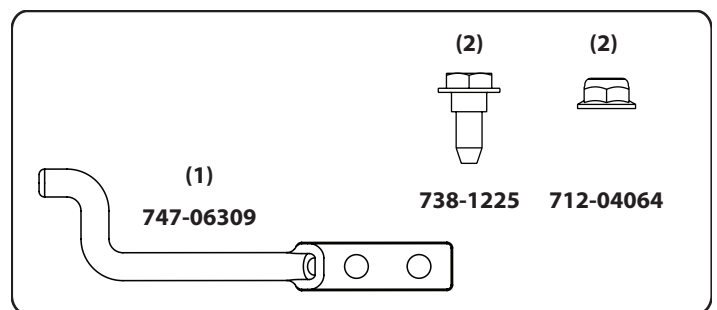
Paquete de herrajes 689-01419



Paquete de elementos de ferretería de 42"/46" 689-00636



Paquete de elementos de ferretería de 50"/54" 689-02199



ARMADO E INSTALACIÓN

NOTA: Las referencias a la izquierda, derecha, parte delantera y trasera del tractor están desde la posición del operador, salvo indicación en contrario.

Antes de armar, coloque el tractor sobre una superficie firme y nivelada, desenganche la toma de fuerza PTO, detenga el motor del tractor y coloque el freno de mano.

Arme las ménsulas de soporte

1. Coloque las 12 almohadillas de caucho (735-05938) en el soporte adaptador (789-02278) utilizando los orificios de montaje que se muestran en la Figura 3.

NOTA: Este kit incluye dos almohadillas de goma adicionales.

NOTA: Verifique los protectores de los paragolpes después de cada estación para detectar si hay desgase excesivo, y reemplace según sea necesario.

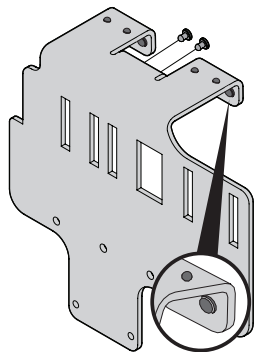


Figura 3

Coloque el conjunto de soporte en el tractor

NOTA: Al armar este conjunto de montaje, conviene no ajustar totalmente el soporte todavía. Esto facilitará el proceso de armado más adelante, cuando sea necesario ajustar a fondo este conjunto de montaje.

Instale el conjunto de soporte de montaje en el tractor de la siguiente manera:

1. Extraiga el soporte de enganche.
2. Coloque dos arandelas (736-0117) entre el adaptador del soporte de enganche (789-02298) y el soporte de enganche que se extrajo en el Paso 1.
3. Coloque el conjunto de soporte en el bastidor inferior del tractor con dos tornillos de cabeza (710-0376). Consulte la Figura 4.

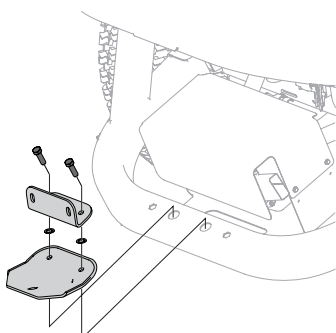


Figura 4

4. Cuelgue el conjunto del soporte del adaptador en el tubo del bastidor superior y conecte al adaptador del soporte de enganche (789-02298) con dos tornillos (710-0376), dos arandelas de cubeta (736-0242) y dos tuercas de seguridad de brida (710-04063). Consulte la Figura 5.

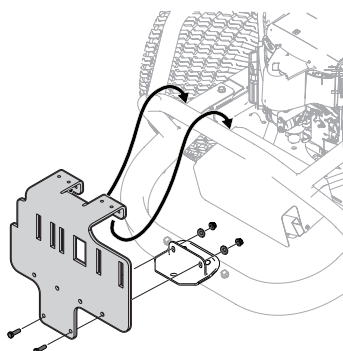


Figura 5

NOTA: Compruebe que el soporte del adaptador quede firmemente asentado en el bastidor de tubo superior.

5. Apriete todos los herrajes que se instalan en este momento.

Coloque el soporte vertical

NOTA: Este manual abarca diversas configuraciones de embolsadora. Siga las instrucciones aplicables a su máquina.

1. Con la Figura 6 y el cuadro a continuación, localice la ubicación del orificio de montaje correcto en el soporte de montaje para su tractor:

Modelo Núm.	Descripción	Posición
19A70054*	Embolsadora doble de 42"/46"	4
19A70055*	Embolsadora doble de 50"/54"	3

NOTA: La posición de orificio 2 actualmente no está en uso.

2. Instale la ménsula de soporte vertical en el conjunto de montaje sobre el tractor enganchándolo encima del conjunto de montaje tal como se muestra en la Figura 7.
3. Fije la ménsula de soporte vertical a la unidad de montaje con un perno hexagonal (710-0376) y una tuerca de seguridad con brida (712-04063) que viene con el paquete de herrajes 689-01419. Consulte la Figura 7.

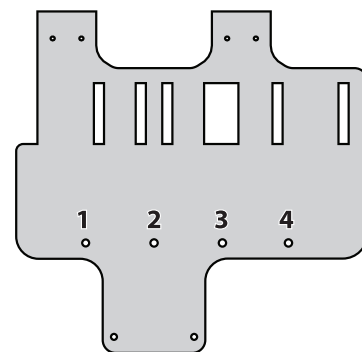


Figura 6

Instale el conjunto de colgador

1. Coloque y sujete el conjunto del colgador en la ménsula de soporte vertical usando dos pernos de carro (710-0276) dos arandelas de cubeta (736-0242) y dos tuercas de seguridad con brida (712-04063) del paquete de herrajes 689-01419. Consulte la Figura 8.

NOTA: Los pernos de carro (710-0276), del paquete de herrajes 689-01419, van en el orificio superior con la tuerca orientada hacia el motor. El perno hexagonal (710-0376), del mismo paquete de herrajes, va en el orificio inferior.

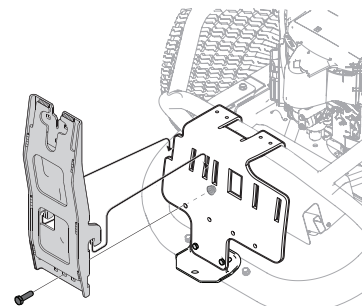


Figura 7

Coloque los componentes de la embolsadora

Con las ménsulas de soporte ensambladas y en su lugar en el tractor, siga estos pasos para ensamblar los componentes restantes de la embolsadora.

1. **Si no se instaló ya de fábrica**, coloque a presión la cubierta de ventilación en los orificios que se encuentran en el conjunto de soporte del canal.
2. Coloque a presión el soporte del canal plástico superior en su lugar primero cortando la porción lateral hacia el riel de soporte de la embolsadora (1) como se indica en la Figura 9.

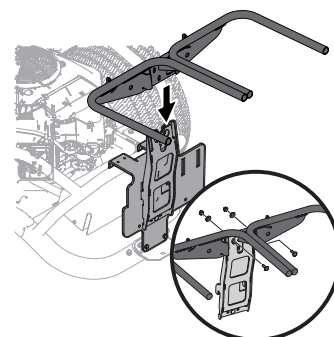


Figura 8

ARMADO E INSTALACIÓN

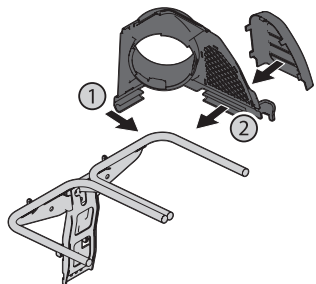


Figura 9

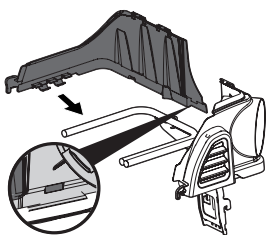


Figura 10

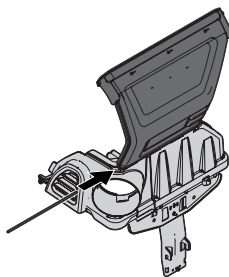


Figura 11

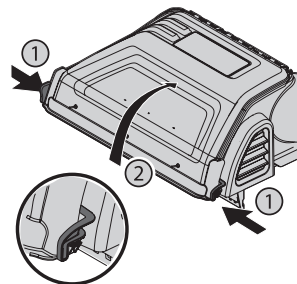


Figura 12

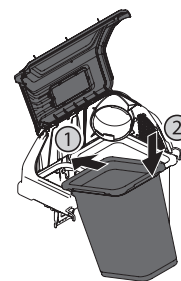


Figura 13

3. Calce a presión el lado delantero del soporte del canal al riel (2), como se muestra en la Figura 9.
4. Coloque a presión el soporte de la cubierta superior sobre el riel del soporte de la embolsadora con una ligera inclinación. Gire el conjunto hacia abajo y dentro del conjunto del soporte del canal, comprobando que la lengüeta (que se muestra en el recuadro de la Figura 10) se trabe en su lugar.
5. Coloque la cubierta superior de la embolsadora, para lo que debe alinear las lengüetas de la cubierta y deslizar el pasador de montaje en el canal como se muestra en la Figura 11.
6. Abra el capó oprimiendo las lengüetas laterales traseras con la mano (1) y elevando la cubierta con la otra mano en la parte central trasera de la cubierta de la embolsadora (2) como se indica en la Figura 12.
7. Coloque ambos conjuntos de bolsas en las ménsulas de soporte de bolsa insertando primero el borde delantero (1), y luego bajando el borde posterior hasta que calce en el conjunto (2) como se muestra en la Figura 13.

Instalación de la barra de arranque y el hardware

Hacer de modelo 19A70054*:

1. Desde el interior de la bota, coloque los dos tornillos de cabeza hexagonal (738-1225) a través de los orificios en la parte inferior delantera de la bota. Consulte la Figura 14.
2. Coloque la varilla de montaje (747-06043) en su lugar sobre los tornillos de cabeza hexagonal. Asegúrese de que la punta de la varilla esté hacia afuera desde la bota. Consulte la Figura 14.
3. Comience a enroscar las dos tuercas de seguridad de la brida (712-04064) en los tornillos de cabeza hexagonal. Consulte la Figura 14.
4. Usando una llave o un zócalo de 7/16 "en el tornillo y una llave de caja de 7/16" en las tuercas lock, apriete hacia abajo para que la brida quede al ras para asegurar asegure el ensamblaje.

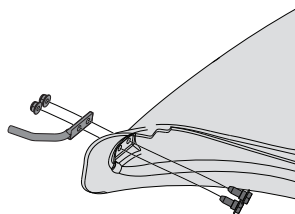


Figura 14

Hacer de modelo 19A70055*:

1. Desde el interior de la bota, coloque los dos tornillos de cabeza hexagonal (738-1225) a través de los orificios en la parte inferior delantera de la bota. Consulte la Figura 15.
2. Coloque la varilla de montaje (747-06309) en su lugar sobre los tornillos de cabeza hexagonal. Asegúrese de que la punta de la varilla esté hacia afuera desde la bota. Consulte la Figura 15.

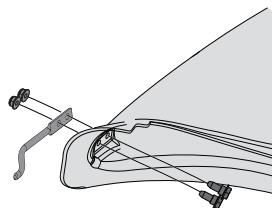


Figura 15

3. Comience a enroscar las dos tuercas de seguridad de la brida (712-04064) en los tornillos de cabeza hexagonal. Consulte la Figura 15.
4. Usando una llave o un zócalo de 7/16 "en el tornillo y una llave de caja de 7/16" en las tuercas lock, apriete hacia abajo para que la brida quede al ras para asegurar asegure el ensamblaje.

Instalación del canal de descarga - Embolsadora doble de 42/46"

1. Con el canal de descarga del tractor levantado y manteniéndolo abierto (1), coloque el codo del canal en la lengüeta de montaje del canal (2), como se muestra en la Figura 16.
2. Fije el codo del canal a la plataforma usando una perilla de aletas (720-04122) del paquete de herrajes 689-01419. Consulte la Figura 17.

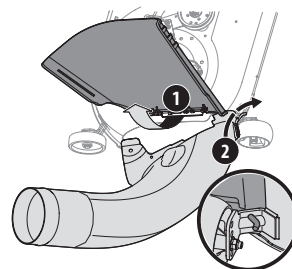


Figura 16

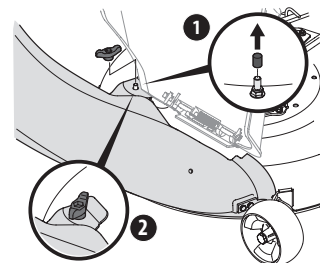


Figura 17

NOTA: Si la hubiera, retire la cubierta protectora de la clavija de montaje en la plataforma de corte como se muestra en el recuadro superior de la Figura 17.

¡IMPORTANTE! Asegúrese de que la parte inferior del canal de descarga esté ubicada dentro del reborde de la abertura de la plataforma, como se indican en la Figura 18.

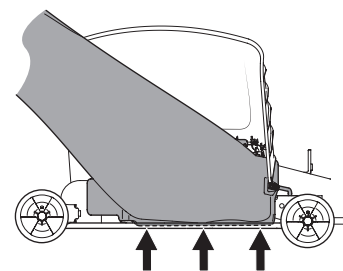


Figura 18

Instalación del canal de descarga - Embolsadora doble de 50"/54"

Quando se instala el canal de descarga hay dos instrucciones de instalación diferentes. Para las unidades de plataforma fabricadas de 54", el codo del canal de descarga se monta directamente en la plataforma de corte. Para las plataformas estampadas de 50" y 54", en primer lugar se debe instalar un adaptador. Asegúrese de seguir las instrucciones correspondientes a la unidad en la que está instalando esta embolsadora.

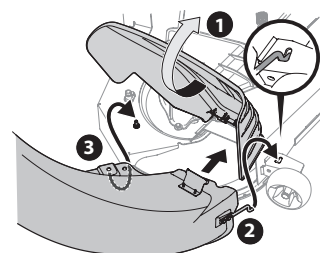


Figura 19

ARMADO E INSTALACIÓN

Unidades de plataforma fabricada de 54":

1. Eleve la plataforma a la posición más alta.
2. Levante el deflector del canal (1 en la Figura 19) sobre la plataforma y sosténgalo mientras ubica el canal de descarga sobre la abertura del canal.
3. Inserte el extremo del codo del canal de descarga (2) en el orificio suministrado en el montaje de rueda de la plataforma tal como se muestra en el recuadro de Figura 19.
4. Gire el canal de descarga hacia atrás hasta que el orificio del codo del canal de descarga se alinee con el pasador de la plataforma. Mueva el codo de descarga hacia abajo hacia ese pasador como se muestra en 3 de la Figura 19.
5. Fije el codo del canal de descarga en la plataforma de corte usando una perilla de aletas (720-04122) a partir de el paquete de herrajes 689-01419. Consulte la Figura 20.

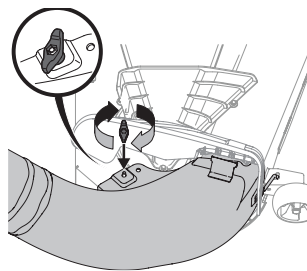


Figura 20

En las plataformas estampadas de 50" y 54":

1. Eleve la plataforma a la posición más alta.
2. Retire el tapón protector de goma del pasador de plataforma, 1 en la Figura 21.
3. Eleve el deflector del canal (2 en la Figura 21) sobre la plataforma y sosténgalo mientras instala el adaptador de canal (731-10133) (3), sobre la plataforma como se muestra en la Figura 21.
4. Inserte el extremo del codo del canal de descarga (1) en el orificio suministrado en el montaje de rueda de la plataforma tal como se muestra en el recuadro de la Figura 22.
5. Gire el canal de descarga hacia atrás hasta que el orificio del codo del canal de descarga se alinee con el pasador del adaptador de plataforma. Mueva el codo de descarga hacia abajo hacia ese pasador como se muestra en 2 de la Figura 22.
6. Fije el codo del canal de descarga en la plataforma de corte usando una (720-04122) perilla de aletas incluida en el paquete de herrajes 689-01419. Consulte la Figura 23.

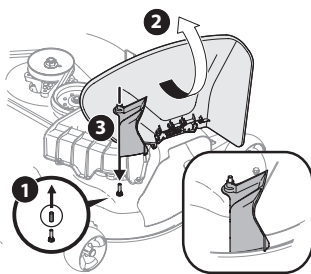


Figura 21

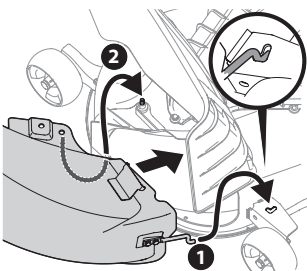


Figura 22

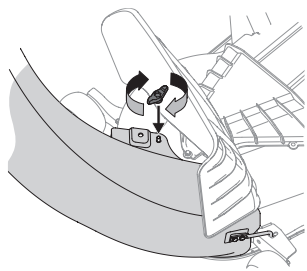


Figura 23

Instalación del Tubo de Canal Superior

1. Enrosque el lado final superior del tubo del canal en forma segura, en el soporte superior del canal. Existen dos lengüetas en el lado bajo interno del soporte del canal superior que permiten un enrosque seguro. Consulte la Figura 24.

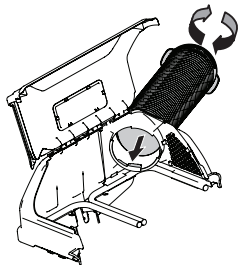


Figura 24

NOTA: El tubo del canal y el soporte superior del mismo, están **enroscados hacia la mano izquierda**. Enrosque en sentido contrario a las agujas del reloj hasta asegurarlo.

2. Levántelo con las manijas de la parte de abajo del tubo del canal. Deslice el tubo del canal sobre el codo del canal montado en la plataforma de corte, como se muestra en la Figura 25.
3. Asegúrese que la conexión es segura y que no hay espacios entre el tubo del canal y el codo del canal.
4. Si está abierta, cierre la cubierta del colector de césped, previo al corte de césped.

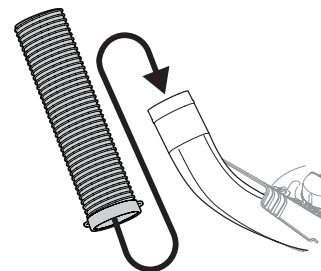


Figura 25

Instale el contrapeso

⚠ ADVERTENCIA

Este kit de contrapeso delantero se necesita cuando se utiliza cualquiera de los modelos tractor con giro cero compatibles y equipados con un colector de césped. Si no se instala este kit, se pueden provocar lesiones graves o la muerte.

⚠ ADVERTENCIA

Antes de comenzar la instalación, coloque el tractor con giro cero sobre una superficie firme y nivelada, coloque el freno de mano, coloque la toma de fuerza (PTO) en la posición desconectada (OFF), detenga el motor y quite la llave de encendido para impedir el arranque accidental.

1. Antes del ensamblado, despegue las calcomanías adhesivas de la hoja y aplíquelas a las superficies interiores de los soportes del colgador de pesas del lado derecho e izquierdo, como se muestra en la Figura 26.
2. Sujete la pesa y tres platillos de pesar a los soportes de colgador de pesas con dos tornillos de cabeza hexagonal de 3/8" (710-3085) y dos tuercas (712-04065) como se muestra en la Figura 27.
3. Centre visualmente el conjunto de barra de pesas en el tractor y con dos tornillos de cabeza hexagonal de 7/16" (710-3056) y dos tuercas (712-04063) sujete el conjunto de contrapeso al tractor como se indica en la Figura 28.

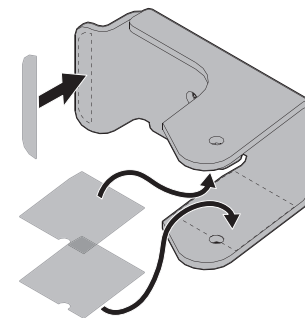


Figura 26

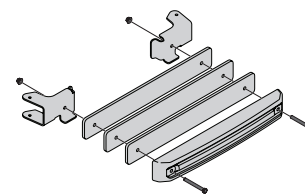


Figura 27

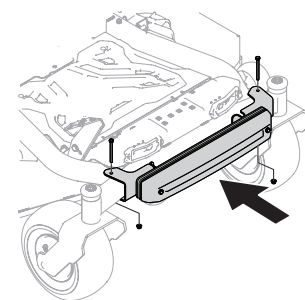


Figura 28

Uso de la embolsadora doble

NOTA: Cuando las dos bolsas para césped estén llenas, coloque el tractor sobre una superficie firme y nivelada, desembrague la toma de fuerza (PTO), apague el motor del tractor y coloque el freno de mano.

1. Abra el capó oprimiendo las lengüetas laterales traseras con la mano (1) y elevando la cubierta con la otra mano en la parte central trasera de la cubierta de la embolsadora (2) como se indica en la Figura 29.
2. No retire el conjunto del tubo del canal del tractor.
3. Extraiga ambos conjuntos de bolsas de las ménsulas de soporte para bolsas, para lo cual debe levantar el borde trasero primero y luego deslizar el borde delantero hacia fuera y arriba hasta que se aleje del bastidor. Consulte la Figura 30.
4. Vacíe los recortes de césped en un predio de disposición adecuado, use la manija de abajo de cada bolsa de césped. Para vaciar el contenido sostenga firmemente la bolsa.
5. Vuelva a colocar las bolsas para césped, cierre la tapa, voltee el asiento hacia abajo, vuelva a arrancar el tractor, saque el freno de mano y reanude el corte de césped.

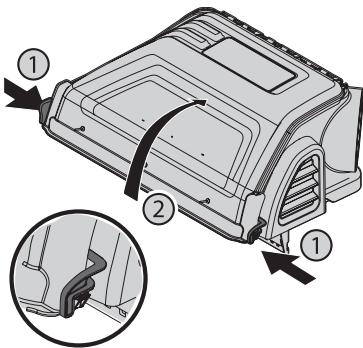


Figura 29

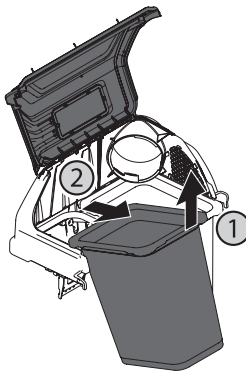


Figura 30

GARANTÍA LIMITADA DEL FABRICANTE PARA



La siguiente garantía limitada es otorgada por MTD LLC con respecto a nuevos productos adquiridos y utilizados en Estados Unidos y/o sus territorios y posesiones, y por MTD Products Limited con respecto a nuevos productos adquiridos y utilizados en Canadá y/o sus territorios y posesiones (cualquiera de las dos entidades, respectivamente, "MTD").

"MTD" garantiza este producto (excluidas las *Piezas y Accesorios con Desgaste Normal* según se describe más abajo) contra defectos en los materiales y mano de obra por un período de dos (2) años a partir de la fecha de compra original y, a su opción, reparará o reemplazará, sin costo alguno, cualquier pieza que presente defectos en los materiales o de mano de obra. Esta garantía limitada sólo se aplicará si el producto ha sido operado y mantenido de acuerdo con las instrucciones del Manual del Operador que se proporciona con el producto y no ha sido sujeto a uso inapropiado, abuso, uso comercial, abandono, accidente, mantenimiento incorrecto, alteración, vandalismo, robo, incendio, inundación o algún daño debido a otro peligro o desastre natural. El daño resultante por la instalación o el uso de piezas, accesorios o uniones no aprobados por MTD para su uso con el(los) producto(s) incluido(s) en este manual anulará la garantía en lo que respecta a esos daños.

Se garantiza que las Piezas con Desgaste Normal están libres de defectos en los materiales y mano de obra por un período de treinta (30) días a partir de la fecha de compra. Las piezas sujetas a desgaste normal incluyen pero no se limitan a: baterías, correas, cuchillas, adaptadores para cuchillas, dientes, bolsas para césped, ruedas, ruedas para la plataforma de la podadora tractor, asientos, zapatas antideslizantes, ruedas de fricción, placas de raspado, gomas helicoidales y neumáticos.

Accesorios — MTD garantiza que los accesorios de este producto están libres de defectos de material y mano de obra durante un período de un (1) año a partir de la fecha de compra o arrendamiento original del accesorio. Los accesorios incluyen, pero no se limitan a elementos tales como: colectores de césped y kits para abono.

CÓMO SOLICITAR Y OBTENER SERVICIO TÉCNICO: El servicio de la garantía está disponible, CON COMPROBANTE DE COMPRA, a través de su distribuidor local de servicio autorizado. Para localizar al distribuidor de su zona:

En Estados Unidos de América

Consulte las páginas amarillas, o póngase en contacto con MTD LLC at P.O. Box 361131, Cleveland, Ohio 44136-0019, ó llame al 1-800-800-7310, 1-330-220-4683 ó visite nuestro sitio web en www.mtdproducts.com.

En Canadá

Contacte MTD Products Limited, Kitchener, ON N2G 4J1, llame al 1-800-668-1238 o visite nuestro sitio web en www.mtdcanada.com.

Esta garantía limitada **no** ofrece cobertura en los siguientes casos:

- Las bombas, válvulas y cilindros del romp troncos tienen una garantía separada de un año.

- Los elementos del mantenimiento de rutina como por ejemplo lubricantes, filtros, afiladores de cuchillas, puesta a punto del motor, ajustes de frenos, del embrague o de la plataforma y el deterioro normal del acabado exterior debido al uso o exposición.
- Mantenimiento no realizado por el distribuidor de servicio autorizado.
- MTD no extiende ninguna garantía para los productos vendidos o exportados fuera de los Estados Unidos de América y/o Canadá, y sus respectivas posesiones y territorios, excepto para aquellos vendidos a través de los canales autorizados de distribución de exportaciones de MTD.
- Piezas de reemplazo que no son piezas genuinas de MTD.
- Gastos de transporte y visitas técnicas.
- MTD no garantiza este producto para uso comercial.

No se aplican garantías implícitas, incluidas las garantías implícitas de comerciabilidad o de adecuación para un propósito determinado, después del período de aplicación de la garantía escrita expresa extendida más arriba para las piezas de acuerdo con su identificación. Ninguna otra garantía expresa, sea oral o escrita, excepto la mencionada anteriormente, extendida por personas o entidades, incluidos los distribuidores y minoristas, con respecto a cualquier producto, obligará a MTD. Durante el plazo de la garantía el único recurso es la reparación o reemplazo del producto como se indicó anteriormente.

Las disposiciones incluidas en esta garantía proveen el recurso único y exclusivo que surge de las ventas. MTD no será responsable por pérdidas o daños incidentales o directos, incluyendo sin límites, los gastos incurridos para los servicios de cuidado del pasto de reemplazo o cambio, o los gastos de alquiler para reemplazar de manera transitoria un producto bajo garantía.

Algunos estados no permiten la exclusión o limitación de los daños y perjuicios incidentales o indirectos, o las limitaciones sobre la duración de las garantías implícitas, por lo que las exclusiones o limitaciones mencionadas anteriormente pueden no aplicarse en su caso.

En ningún caso se obtendrá una compensación mayor al monto del precio de compra del producto adquirido. **La alteración de las características de seguridad del producto anulará esta garantía.** Usted asume el riesgo y la responsabilidad por las pérdidas, daños o lesiones personales o materiales propias o de terceros que surjan del uso incorrecto o de la falta de capacidad para usar este producto.

Esta garantía limitada cubre solamente al comprador original, o a la persona que recibió el producto de regalo.

CÓMO SE RELACIONA LA LEGISLACIÓN DEL ESTADO CON ESTA GARANTÍA: Esta garantía limitada le otorga derechos legales específicos y usted también puede tener otros derechos que varían de un estado a otro.

IMPORTANTE: Se podrá requerir al propietario que presente comprobante de compra para obtener la cobertura de garantía.

MTD LLC, P.O. BOX 361131 CLEVELAND, OHIO 44136-0019; teléfono: 1-800-800-7310, 1-330-220-4683
MTD Canada Limited - KITCHENER, ON N2G 4J1; teléfono 1-800-668-1238

MANUEL DE L'UTILISATEUR

Ensacheuse arrière

Modèles n° 19A70054OEM et 19A70055OEM

Renseignements d'enregistrement du produit

Avant d'installer et de mettre en marche votre nouvel équipement, veuillez chercher la plaque du modèle et enregistrer l'information dans la section offerte à cet effet à droite. Vous trouverez la plaque du modèle près du côté externe du couvercle du dispositif d'ensachage. La plaque du modèle contient le numéro de modèle de l'unité et les numéros de série de l'appareil. Ces renseignements seront indispensables pour faire la demande de soutien technique par l'intermédiaire de notre site Web, pour obtenir de l'aide du Service de soutien à la clientèle ou pour communiquer avec un concessionnaire de service agréé local.

NUMÉRO DE MODÈLE

--	--	--	--	--	--	--	--	--	--	--	--

NUMÉRO DE SÉRIE

--	--	--	--	--	--	--	--	--	--	--	--

Tables des matières

<i>Consignes de sécurité</i>	22	<i>Utilisation</i>	29
<i>Contenu de la boîte</i>	24	<i>Garantie</i>	30
<i>Assemblage et Installation</i>	26		

▲ AVERTISSEMENT

Lisez et suivez toutes les RÈGLES et les directives de sécurité offertes dans ce manuel avant de faire fonctionner cette machine. Le non-respect de ces instructions peut entraîner des blessures corporelles.

▲ AVERTISSEMENT

Proposition 65 de la Californie

Ce produit contient au moins un composé chimique reconnu dans l'état de la Californie comme produit pouvant provoquer des cancers et des malformations congénitales et avoir une incidence négative sur l'appareil reproducteur.

NOTE: Ce manuel de l'opérateur couvre plusieurs modèles. Les fonctionnalités peuvent varier selon le modèle. Ce ne sont pas toutes les fonctionnalités trouvées dans le présent manuel qui s'appliquent à tous les modèles. Le modèle représenté peut différer du vôtre.

CONSIGNES DE SÉCURITÉ

▲ AVERTISSEMENT

▲ Ce symbole indique d'importantes consignes de sécurité qui, si elles ne sont pas respectées, peuvent mettre en danger votre propre sécurité et celle d'autrui et/ou de provoquer des dommages matériels. Veuillez lire et respecter toutes les instructions du présent manuel avant de faire fonctionner cette tracteur. Le non-respect de ces directives pourrait entraîner des blessures corporelles. Lorsque vous voyez ce symbole. **RESPECTEZ L'AVERTISSEMENT!**

▲ DANGER

Ce dispositif a été conçu pour être utilisé selon les pratiques d'utilisation sécuritaires décrites dans ce manuel. Une imprudence ou une erreur de jugement de la part de l'opérateur peut entraîner des blessures graves. Les tracteurs peuvent amputer des mains et des pieds, ainsi que projeter des objets. Le non-respect des consignes de sécurité et des instructions fournies avec votre tracteur pourrait entraîner des blessures graves et même causer la mort.

Utilisation en général

1. Veuillez lire, assimiler et respecter les avertissements et les instructions qui sont apposés sur le dispositif et dans leurs manuels respectifs avant de monter et de mettre en marche l'équipement. Conservez le présent manuel dans un endroit sûr pour consultation régulière et ultérieure, de même que pour commander des pièces de rechange.
2. Pour éviter tout contact avec la lame ou d'être blessé par un projectile, éloignez les enfants, les passants, les assistants et les animaux à au moins 75 pieds de la tracteur en cours de fonctionnement. Arrêtez l'appareil si quelqu'un pénètre dans la zone de travail.
3. Examinez soigneusement la zone où la tracteur sera utilisée. Retirez toutes les pierres, tous les bâtons, les fils, les os, les jouets et les autres objets qui pourraient être avalés et projetés par les lames. Les objets projetés peuvent provoquer des blessures corporelles graves.
4. Pour protéger vos yeux, portez toujours des lunettes de sécurité munies ou non de coques en utilisant l'appareil, lors de réglages ou de réparations. Les objets projetés, qui ricochent, risquent de blesser grièvement les yeux.
5. Ne faites pas fonctionner la tracteur sans son clapet d'éjection ou son bac de ramassage installé dans son emplacement approprié. Un clapet d'éjection ou un composant du dispositif d'ensachage manquant ou endommagé peut entraîner des blessures causées par la projection d'objets ou par le contact avec la lame.
6. N'approchez pas vos mains et vos pieds des pièces en rotation et ne les passez jamais sous le plateau de coupe. Un contact avec les lames risque d'amputer les mains et les pieds.
7. Coupez le moteur de la tracteur et attendez que les lames s'immobilisent complètement avant de déboucher l'ouverture d'éjection ou les pièces du dispositif d'ensachage de la tracteur.
8. Ralentissez avant de tourner. Manoeuvrez la tracteur en douceur. Évitez le fonctionnement erratique et une vitesse excessive. Tenez compte du fait que les accessoires d'ensachage peuvent influencer les caractéristiques de manipulation de votre tracteur.
9. Désengorgez les lames, placez le frein à main, coupez le moteur et attendez l'immobilisation complète des lames avant d'ouvrir le couvercle du bac de ramassage, de retirer celui-ci, de vider l'herbe, de déboucher la goulotte, de retirer les débris, ou en effectuant tout autre ajustement. Ne laissez jamais une tracteur en marche sans surveillance. Attendez toujours que les lames s'immobilisent, placez la transmission au neutre, mettez le frein à main, coupez le moteur et retirez la clé avant le démontage.
10. Votre tracteur est conçue pour tondre du gazon résidentiel normal. Ne tentez pas de couper la pelouse exceptionnellement longue et sèche (par exemple, des pâturages) ou des amas de feuilles mortes. De la pelouse sèche ou des feuilles mortes peuvent entrer en contact avec l'échappement du moteur ou s'accumuler sur la plate-forme de la tracteur offrant un risque d'incendie potentiel.
11. En cas de situations qui ne sont pas mentionnées dans le présent manuel, soyez prudent et faites preuve de bon sens. Pour obtenir de l'aide, communiquez avec un représentant du service à la clientèle.



Utilisation sur une pente

Les pentes sont l'un des principaux facteurs qui contribuent à la perte de contrôle et aux accidents liés aux renversements qui peuvent entraîner des blessures graves et même causer la mort. Les accessoires de tonte peuvent également affecter la stabilité de la tracteur. Tout travail sur des pentes exige des précautions supplémentaires.

Par mesure de sécurité, utilisez l'inclinomètre fourni dans le présent manuel pour mesurer l'inclinaison du terrain avant d'utiliser cet appareil dans une zone en pente ou montagneuse. Si la pente est supérieure à 10 degrés ou 17 pour cent comme indiqué sur l'inclinomètre, retirez les accessoires de tonte (c.-à-d. le sac de ramassage, etc.) avant de commencer le travail dans ce secteur, car des blessures graves pourraient s'en suivre.

Symboles de sécurité

Ce tableau illustre et décrit les symboles de sécurité qui peuvent apparaître sur ce produit. Avant son utilisation, lisez, assimilez et respectez toutes les instructions apposées sur l'appareil.

Symbole	Description
	Avant d'assembler ou d'utiliser cet appareil, lisez, comprenez et respectez toutes les instructions décrites dans ces manuels.
	ARRÊTER Coupez le moteur avant d'ouvrir le couvercle du bac de ramassage.

▲ AVERTISSEMENT

C'est votre responsabilité—Limitez l'utilisation de cet appareil motorisé à des personnes qui peuvent lire, assimiler et respecter les avertissements et les instructions qui figurent dans le présent manuel et qui sont apposés sur l'appareil.

CONSERVEZ CES INSTRUCTIONS!

Inclinomètre

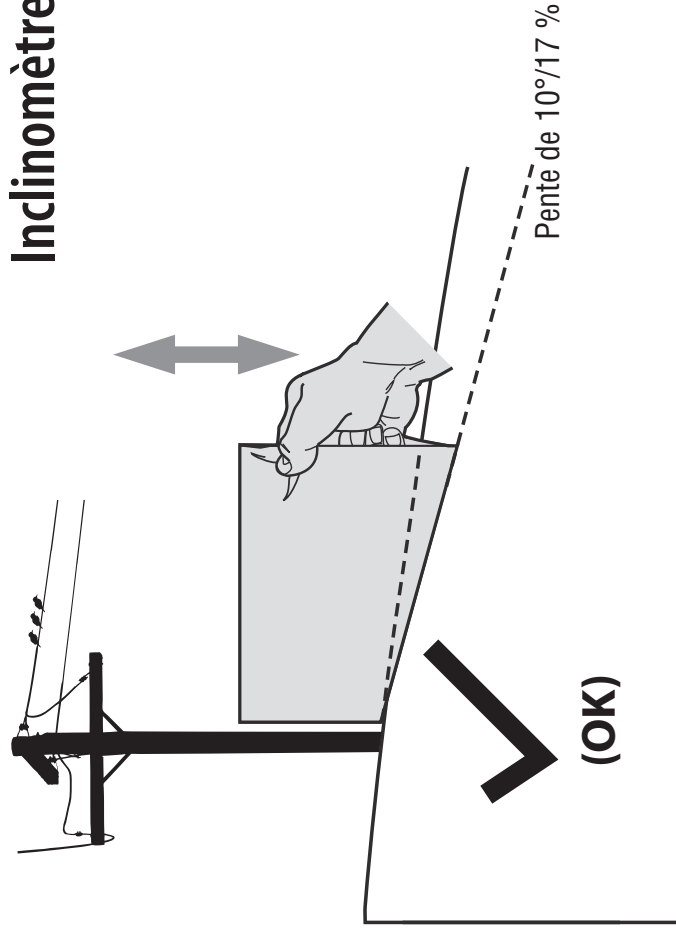


Figure 1

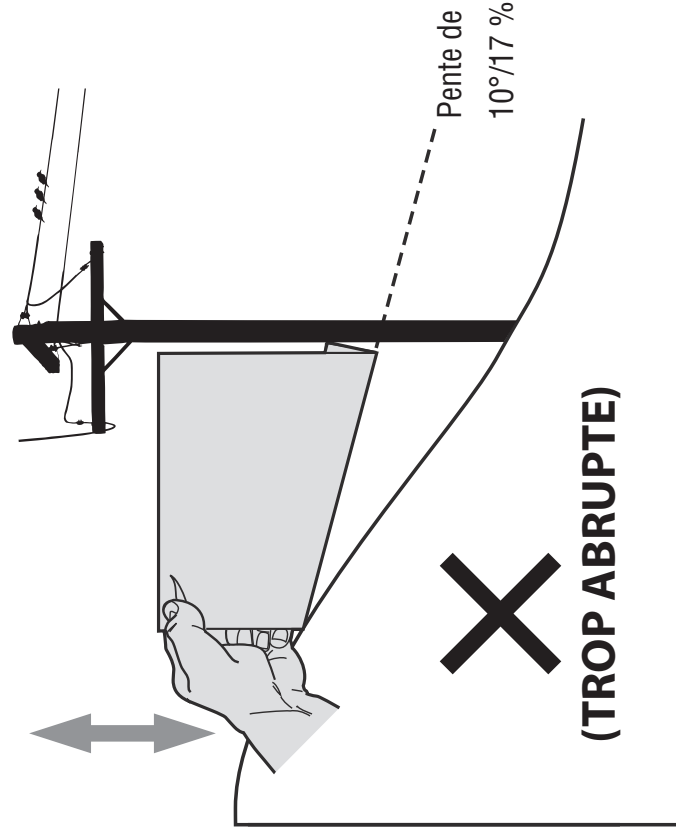
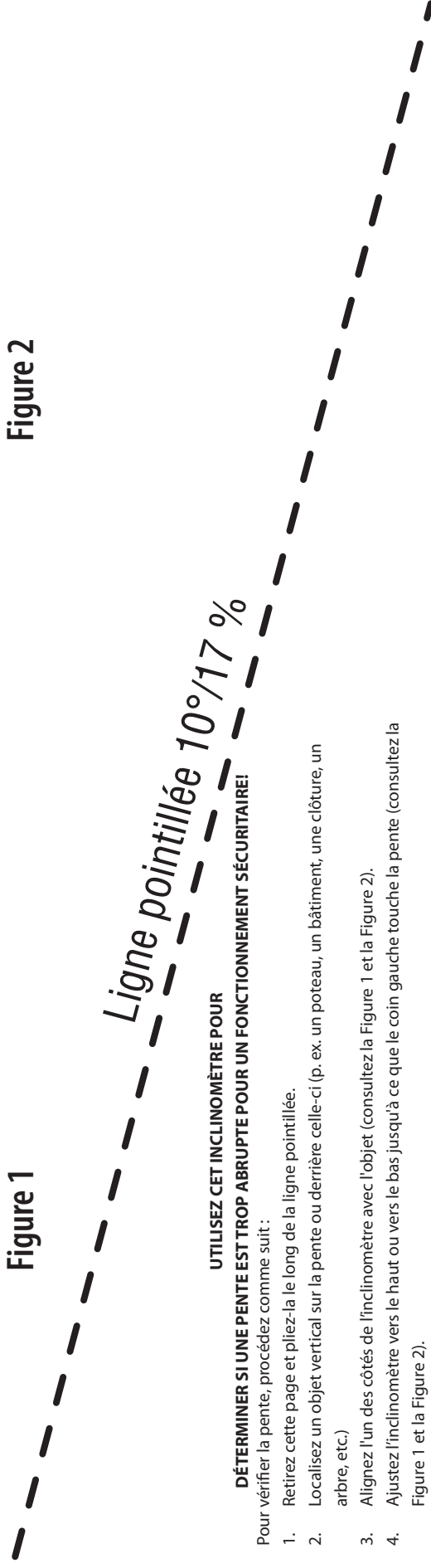


Figure 2



UTILISEZ CET INCLINOMÈTRE POUR

- DÉTERMINER SI UNE PENTE EST TROP ABRUPTÉ POUR UN FONCTIONNEMENT SÉCURITAIRE!**
- Pour vérifier la pente, procédez comme suit :
1. Retirez cette page et pliez-la le long de la ligne pointillée.
 2. Localisez un objet vertical sur la pente ou derrière celle-ci (p. ex. un poteau, un bâtiment, une clôture, un arbre, etc.).
 3. Alignez l'un des côtés de l'inclinomètre avec l'objet (consultez la Figure 1 et la Figure 2).
 4. Ajustez l'inclinomètre vers le haut ou vers le bas jusqu'à ce que le coin gauche touche la pente (consultez la Figure 1 et la Figure 2).
 5. S'il y a un écart en dessous de l'inclinomètre, la pente est trop raide pour un fonctionnement en toute sécurité (consultez la Figure 2 ci-dessus).

AVERTISSEMENT

Les pentes sont l'un des principaux facteurs qui contribuent aux accidents liés aux renversements pouvant entraîner des blessures graves et même causer la mort. Ne pas utiliser cette machine sur une pente dont l'inclinaison est supérieure à 10 degrés. Tout travail sur des pentes exige des précautions supplémentaires. Si vous ne pouvez pas reculer sur la pente ou si nous ne vous sentez pas à l'aise de le faire, n'y passez pas la tondeuse. Utilisez toujours la tondeuse parallèlement à la pente, jamais en travers.

CONTENU DE LA BOÎTE

Merci

Merci d'avoir acheté un accessoire d'ensachage fabriqué. Il a été soigneusement conçu afin de fournir un rendement exceptionnel lorsqu'il est utilisé et entretenu correctement.

Veillez lire ce manuel en entier avant de mettre l'équipement en marche. Ce manuel vous indique comment installer et entretenir votre produit facilement et sans danger. Assurez-vous, ainsi que toutes les autres personnes qui utiliseront la machine, de suivre attentivement les consignes de sécurité recommandées en tout temps. Le non-respect de ces consignes peut entraîner des blessures corporelles ou causer des dégâts matériels.

Toutes les informations contenues dans ce manuel sont pertinentes aux données les plus récentes offertes au moment de l'impression. Consultez ce manuel fréquemment afin de vous familiariser avec l'équipement, ses fonctions et son fonctionnement. Nous tenons à vous aviser que ce manuel de l'opérateur peut couvrir un éventail de spécifications de produits pour différents modèles. Les caractéristiques et les fonctions décrites ou illustrées dans ce manuel peuvent ne pas s'appliquer à tous les modèles. Nous nous réservons le droit de modifier les caractéristiques, les concepts du produit et le matériel sans préavis et sans obligation de notre part.

Si vous avez des problèmes ou des questions au sujet de l'équipement, téléphonez à votre concessionnaire local ou communiquez avec nous directement. Nous tenons à assurer votre entière satisfaction en tout temps.

Toutes les références que vous retrouverez dans ce manuel au sujet du côté gauche et du côté droit de la machine sont observées à partir de la position d'utilisation.

42/46" Ensacheuse double

Avant de commencer l'installation, retirez toutes les pièces de la boîte afin de vous assurer qu'il ne manque rien. Le contenu de la boîte est indiqué ci-dessous et il est illustré à la Figure 1. Les trousse de matériel incluses dans cette trousse sont détaillées à la fin de cette section.

- Assemblage de la botte - 731-09329A
- Assemblage du sac à herbe (2) - 664-05104
- Support d'ensachage vertical - 683-04519C
- Support du sac à herbe - 683-05329A
- Bouchons d'extrémité (4) - 735-0246A (préinstallé)
- Housse de sac - 631-05474B
- Ensemble de paroi d'évent d'évent d'ensacheuse - 631-05491B
- Couvercle de l'ensacheuse Paroi latérale gauche - 731-12350B
- Tuyau d'arrosage - 764-05082
- Raccord de tuyau inférieur - 731-12353A (préinstallé)
- Axe de charnière - 711-06701
- Support d'adaptateur - 789-02278
- Support d'adaptateur d'articulation - 789-02298
- Poids du dispositif d'ensachage RZT - 719-04217A
- Plaques de poids (3) - 789-02137
- Support de suspension du poids de gauche - 789-02197
- Support de suspension du poids de droite - 789-02198
- Trousse de matériel - 689-01419
- Emballage de quincaillerie pour botte d'ensacheuse - 689-00636
- Bandes adhésives antimarquage - 777X52246

50/54" Ensacheuse double

Avant de commencer l'installation, retirez toutes les pièces de la boîte afin de vous assurer qu'il ne manque rien. Le contenu de la boîte est indiqué ci-dessous et il est illustré à la Figure 2. Les trousse de matériel incluses dans cette trousse sont détaillées à la fin de cette section.

- Assemblage de la botte - 631-09698
- Assemblage du sac à herbe (2) - 664-05104
- Support d'ensachage vertical - 683-04519C
- Support du sac à herbe - 683-05329A
- Adaptateur de goulotte - 731-10133
- Bouchons d'extrémité (4) - 735-0246A (préinstallé)
- Housse de sac - 631-05474B
- Ensemble de paroi d'évent d'évent d'ensacheuse - 631-05491B
- Couvercle de l'ensacheuse Paroi latérale gauche - 731-12350B
- Tuyau d'arrosage - 764-05135
- Raccord de tuyau inférieur - 731-12353A (préinstallé)
- Axe de charnière - 711-06701
- Support d'adaptateur - 789-02278
- Support d'adaptateur d'articulation - 789-02298
- Poids du dispositif d'ensachage RZT - 719-04217A
- Plaques de poids (3) - 789-02137
- Support de suspension du poids de gauche - 789-02197
- Support de suspension du poids de droite - 789-02198
- Trousse de matériel - 689-01419
- Emballage de quincaillerie pour botte d'ensacheuse - 689-02199
- Bandes adhésives antimarquage - 777X52246

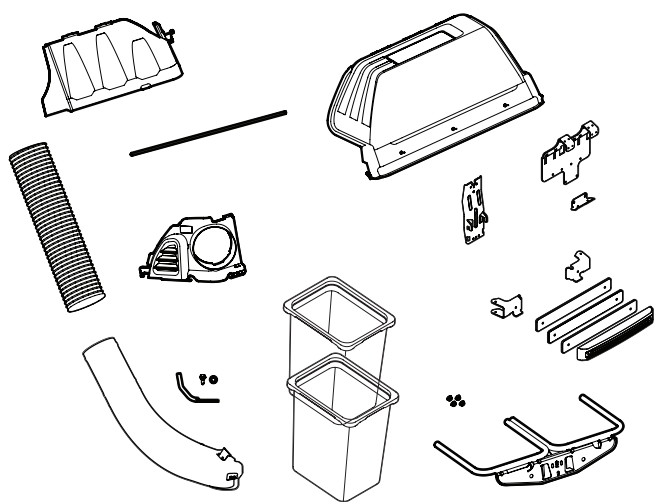


Figure 1

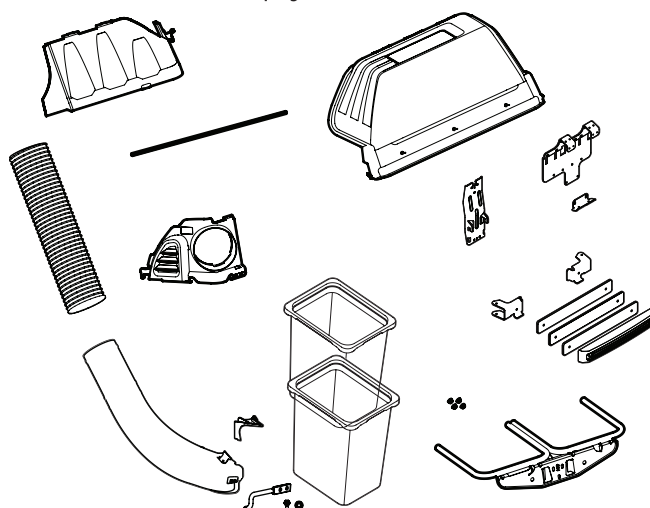


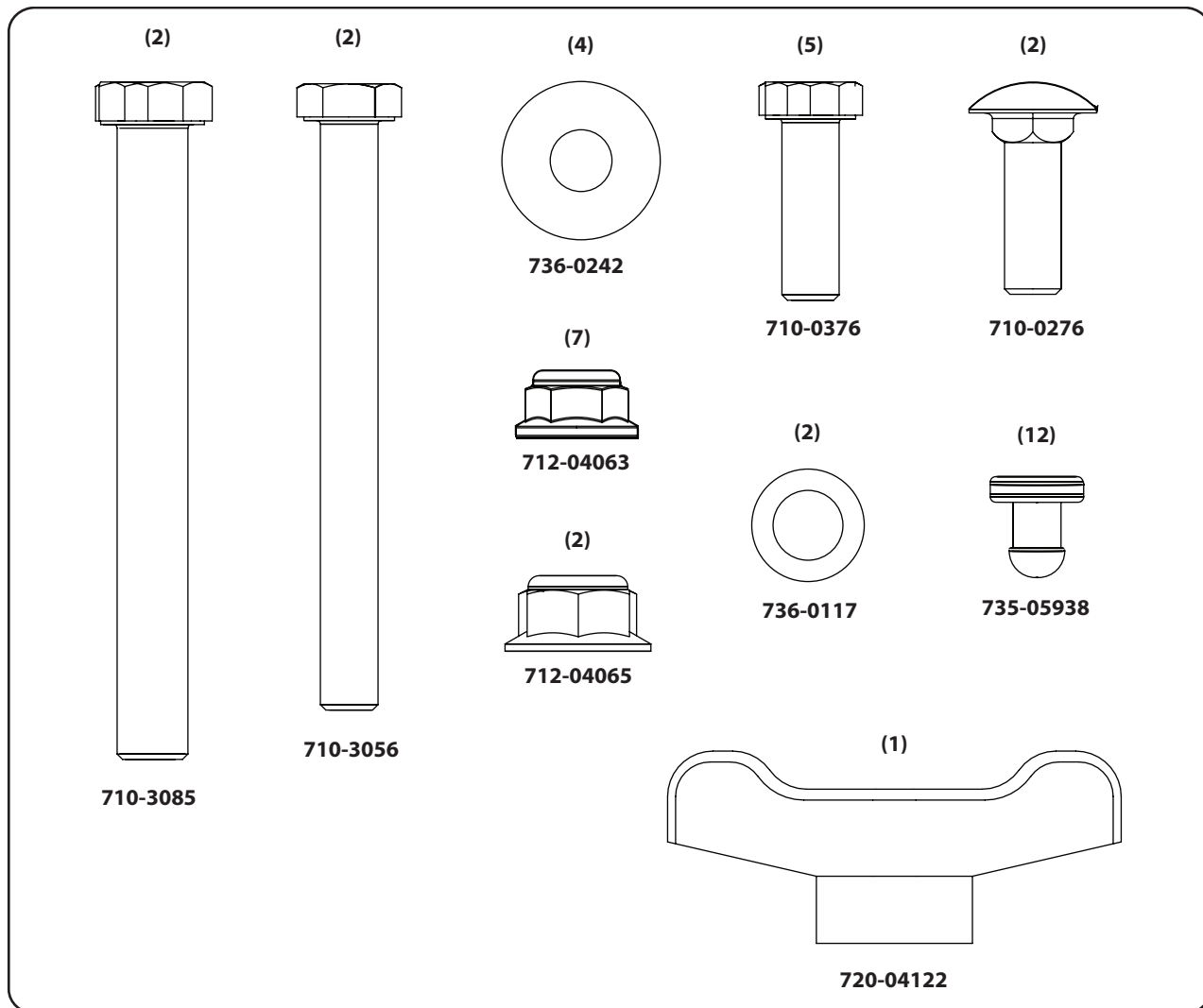
Figure 2

CONTENU DE LA BOÎTE

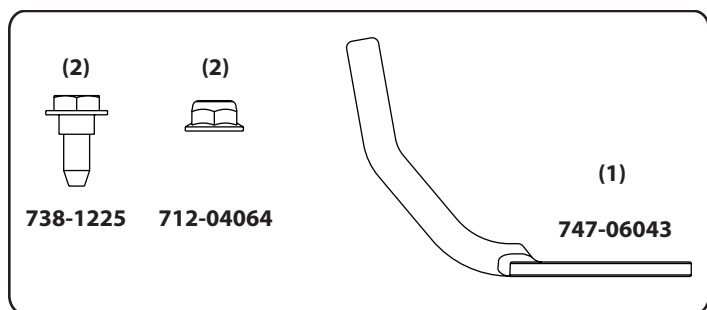
Contenu des jeux de montage

Veuillez comparer le matériel fourni avec les illustrations ci-dessous. Les quantités pour chaque article sont indiquées entre parenthèses.

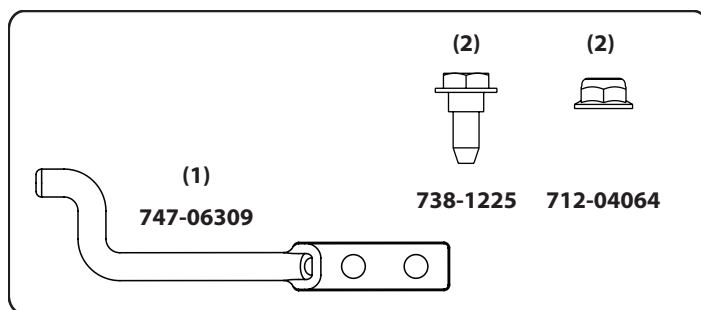
Trousse de matériel 689-01419



Sachet de quincaillerie pour bac de 42 à 46 po 689-00636



Sachet de quincaillerie pour bac de 50 à 54 po 689-02199



ASSEMBLAGE ET INSTALLATION

NOTE : Sauf indication contraire, les références aux côtés gauche, droit, avant et arrière du tracteur proviennent de la position du chauffeur.

- Avant l'assemblage, déplacez le tracteur sur une surface horizontale, débrayez la PDF, arrêtez le moteur et enclenchez le frein de stationnement.

Montage des supports de fixation

1. Installez douze tampons en caoutchouc (735-05938) dans le support de l'adaptateur (789-02278). Fixez-les solidement en utilisant les orifices de montage illustrés à la Figure 3.

NOTE : Ce kit comprend 2 tampons en caoutchouc supplémentaires.

NOTE : Après chaque saison, vérifiez que les coussinets de protection ne sont pas trop usés; remplacez-les si nécessaire.

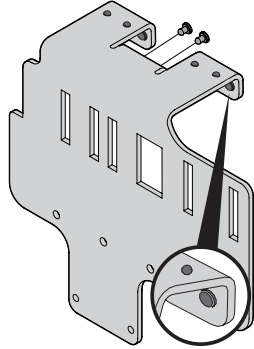


Figure 3

Installer l'ensemble de support sur le tracteur

NOTE : Lors de l'assemblage de cet ensemble de montage, il est préférable de ne pas serrer complètement le support pour l'instant. Ceci facilitera le processus de montage des étapes ultérieures, ce qui nécessitera alors le serrage complet de cet ensemble.

Pour installer le support de fixation sur le tracteur, veuillez suivre les étapes suivantes :

1. Retirer le support d'attelage.
2. Placez deux rondelles (736-0117) entre l'adaptateur de support d'attelage (789-02298) et le support d'attelage arraché à l'étape 1.
3. Installez l'ensemble du support sur le châssis inférieur du tracteur au moyen de deux vis d'assemblage (710-0376). Consultez la Figure 4.
4. Accrochez le support de l'adaptateur au tube à cadre supérieur et connectez-le à l'adaptateur du support d'attelage (789-02298) au moyen de deux vis (710-0376), deux rondelles de tasse (736-0242) et de deux contre-écrous d'épaulement (712-04063). Consultez la Figure 5.

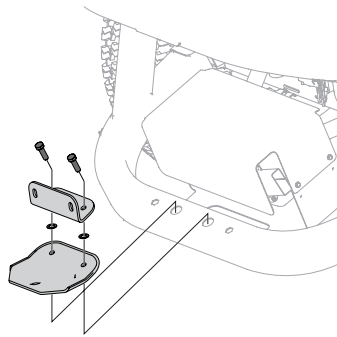


Figure 4

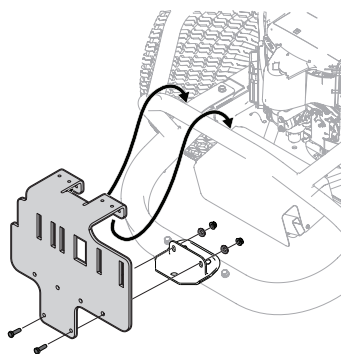


Figure 5

NOTE : Assurez-vous que le support de l'adaptateur repose fermement sur le tube à cadre supérieur.

5. À ce moment, serrez tout le matériel installé.

Installer un support vertical

NOTE : Ce manuel couvre différentes configurations d'ensacheuses. Veuillez suivre les instructions applicables à votre machine.

1. Usando la Figura 7 y la tabla de abajo, localice la ubicación correcta del orificio de montaje en el soporte de montaje para su tractor :

Model No.	Description	Position
19A70054*	42"/46" Double Bagger	4
19A70055*	50"/54" Double Bagger	3

NOTE : La position de perçage 2 n'est pas utilisée actuellement.

2. Installez le support de fixation vertical sur la plaque de fixation du tracteur en l'accrochant sur l'ensemble de fixation comme montré à la Figure 7.
3. Fixez le support de fixation droit à l'ensemble de montage à l'aide d'un boulon à tête hexagonale (710-0376) et d'un contre-écrou d'épaulement (712-04063) provenant de la trousse de matériel 689-01419. Reportez-vous à la Figure 7.

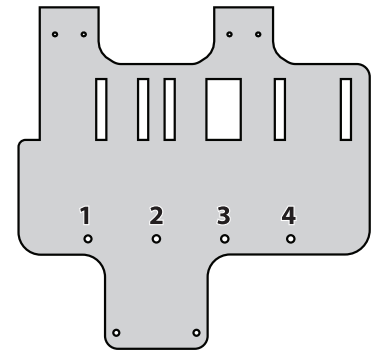


Figure 6

Installez l'ensemble de support de l'ensacheuse

1. Installez et fixez l'ensemble de support au support de fixation vertical à l'aide de deux boulons de carrosserie (710-0276), de deux rondelles coniques (736-0242) et de deux contre-écrous d'épaulement (712-04063) provenant de la trousse de matériel 689-01419. Consultez la Figure 8.

NOTE : Les boulons de carrosserie (710-0276), provenant de la trousse de matériel 689-01419, vont dans l'orifice supérieur, avec l'écrou faisant face au moteur. Les écrous à tête hexagonale (710-0376), de la même trousse de matériel, vont dans l'orifice inférieur.

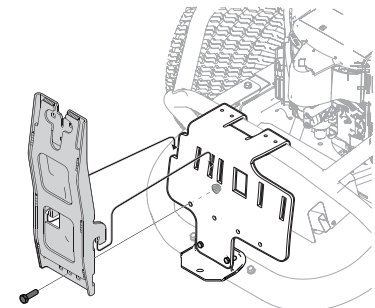


Figure 7

Installez le composant du dispositif d'ensachage supérieur

Une fois les supports de montage assemblés et en place sur le tracteur, procédez comme suit pour assembler les autres composants de l'ensacheuse.

1. **S'il n'est pas déjà installé par l'usine**, enclenchez le couvercle de l'évent dans les orifices situés sur l'ensemble de support de goulotte.

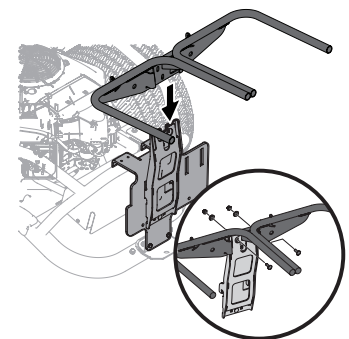


Figure 8

ASSEMBLAGE ET INSTALLATION

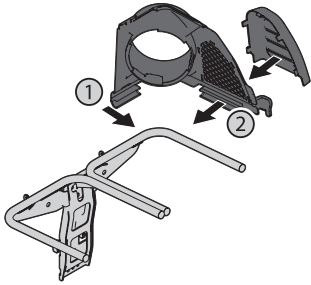


Figure 9

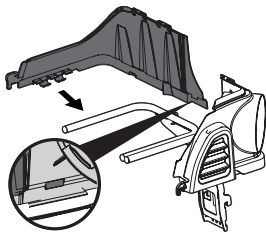


Figure 10

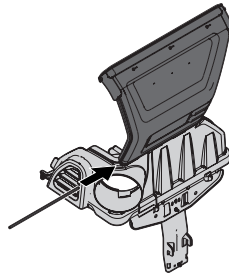


Figure 11

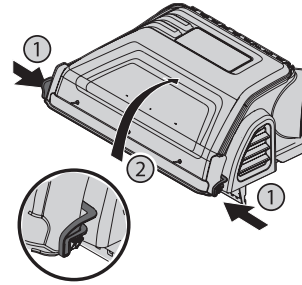


Figure 12

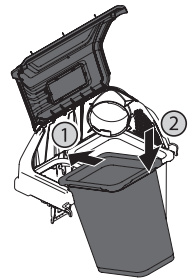


Figure 13

2. Insérez le support en plastique de la goulotte supérieure en clipsant d'abord la partie latérale sur la barre (1) de support de l'ensacheuse, comme illustré à la Figure 9.
3. Enclenchez la partie avant de la goulotte de descente sur la barre (2), comme illustré à la Figure 9.
4. S'insérez le support du couvercle supérieur sur la barre de support de l'ensacheuse en l'inclinant légèrement. Faites pivoter l'ensemble vers le bas et dans l'ensemble du support de goulotte, en veillant à ce que la languette (illustrée à la Figure 10) soit verrouillée en place.
5. Installez le couvercle supérieur de l'ensacheuse en alignant les onglets du couvercle et en faisant glisser la broche de montage dans le canal, comme illustré à la Figure 11.
6. Ouvrez le capot en enfonceant les onglets arrière avec votre main (1) l'ouvrir et en soulevant le couvercle de l'autre main au centre à l'arrière du couvercle de l'ensacheuse (2), comme illustré à la Figure 12.
7. Installez les deux ensembles de sac sur les supports de sac en insérant le bord avant en premier (1), puis en abaissant le bord arrière jusqu'à ce qu'il s'insère dans l'ensemble (2), comme illustré à la Figure 13.

Installation de la tige de botte et de la quincaillerie

Modèle 19A70054* :

1. De l'intérieur de la botte, insérez les deux vis à tête hexagonale (738-1225) dans les trous à l'avant de la botte. Consultez la Figure 14.
2. Mettre la tige de montage (747-06043) en place sur les vis à tête hexagonale. Assurez-vous que l'extrémité de la tige est tournée vers l'extérieur de la botte. Consultez la Figure 14.
3. Commencer à visser les deux écrous de blocage de bride (712-04064) sur les vis à tête hexagonale. Consultez la Figure 14.
4. L'aide d'une clé ou d'une douille de 7/16 po sur la vis et d'une clé plate de 7/16 po sur les écrous lock, serrer de façon à ce que la bride soit à fleur pour fixer l'ensemble.

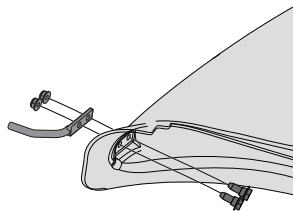


Figure 14

Modèle 19A70055* :

1. De l'intérieur de la botte, insérez les deux vis à tête hexagonale (738-1225) dans les trous à l'avant de la botte. Consultez la Figure 15.
2. Mettre la tige de montage (747-06309) en place sur les vis à tête hexagonale. Assurez-vous que l'extrémité de la tige est tournée vers l'extérieur de la botte. Consultez la Figure 15.
3. Commencer à visser les deux écrous de blocage de bride (712-04064) sur les vis à tête hexagonale. Consultez la Figure 15.
4. L'aide d'une clé ou d'une douille de 7/16 po sur la vis et d'une clé plate de 7/16 po sur les écrous lock, serrer de façon à ce que la bride soit à fleur pour fixer l'ensemble.

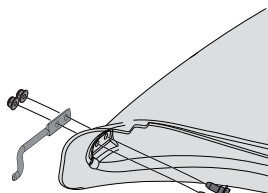


Figure 15

Installation de la goulotte d'éjection - Dispositif d'ensilage double de 42 po (1 m) ou 46 po (1,17 m)

1. Tandis que la goulotte d'éjection du tracteur est relevée et maintenue ouverte (1), installez le coude de la goulotte en plaçant la tige de montage du coude de la goulotte dans la patte de montage de la goulotte (2), comme indiqué à la Figure 16.
2. Fixez le coude de la goulotte au plateau de coupe à l'aide du bouton à ailettes (720-04122) fourni avec la trousse de quincaillerie 689-01419. Consultez la Figure 17.

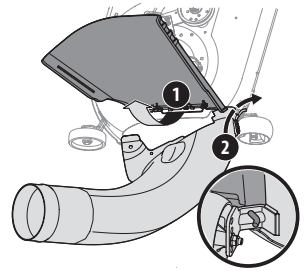


Figure 16

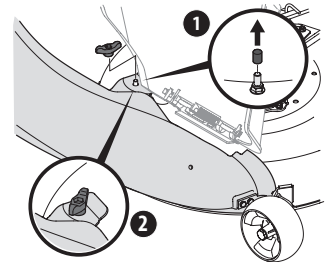


Figure 17

NOTE : Le cas échéant, retirez le capuchon protecteur de la tige de fixation du plateau de coupe, comme indiqué dans l'encart supérieur de la Figure 17.

IMPORTANT : Assurez-vous que le fond de la goulotte d'éjection est situé à l'intérieur de la lèvres de l'ouverture du plateau, comme montré à la Figure 18.

Installation de la goulotte d'éjection - Dispositif d'ensilage double de 50 po (1,27 m) ou 54 po (1,37 m)

Lors de l'installation de la goulotte d'éjection, deux instructions d'installation différentes existent. Pour les unités avec plateau de coupe fabriqué de 54 po (1,37 m), le coude de la goulotte de descente s'installe directement sur le plateau de coupe. Pour les plateau de coupe estampés de 54 po (1,37 m), un adaptateur doit d'abord être installé. Assurez-vous de suivre les instructions relatives à l'unité sur laquelle vous installez cet ensacheur.

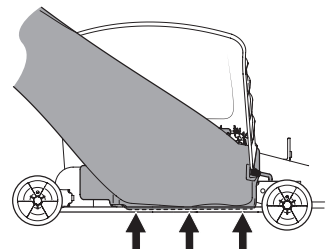


Figure 18

54" Fabricated Plateau de coupe

Units :

1. Soulevez le plateau de coupe à la position maximale.
2. Soulevez le déflecteur de goulotte (consultez le numéro 1 de la Figure 19) sur le plateau de coupe et maintenez-le pendant que vous placez la goulotte de descente sur l'ouverture.

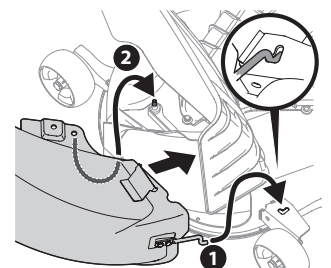


Figure 19

ASSEMBLAGE ET INSTALLATION

3. Insérez l'extrémité du coude de la goulotte de descente de décharge (2) dans l'orifice prévu à cet effet dans la roue du plateau de coupe, comme illustré dans l'encart de la Figure 19.
4. Faites pivoter la goulotte de décharge de descente vers l'arrière jusqu'à ce que l'orifice du coude de la goulotte de décharge s'aligne sur le plateau de coupe. Déplacez le coude de décharge vers le bas sur cette broche, comme illustré à la Figure 19.
5. Fixez le coude de la goulotte de descente au plateau de coupe au moyen du bouton à ailettes (720-04122) inclus dans la trousse de dispositif d'ensilage. Consultez la Figure 20.

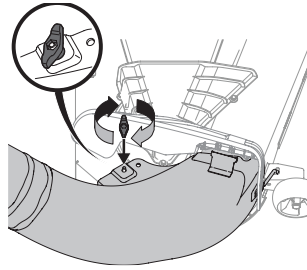


Figure 20

2. Soulevez par les poignées situées dans la partie inférieure du tube de goulotte. Faites glisser le tube de goulotte sur le coude de goulotte monté sur le plateau de coupe, comme illustré à la Figure 25.
3. MAssurez-vous que le raccord est sécuritaire et qu'il n'y a pas d'espace entre le tube et le coude de la goulotte.
4. S'il est ouvert, fermez le couvercle du sac à herbe avant de procéder à la tonte.

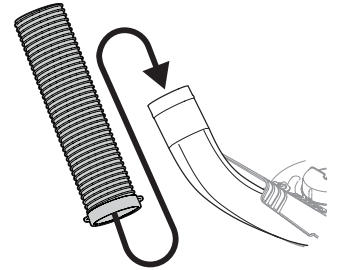


Figure 25

Sur les plateaux de coupe estampés de 50 po (1,27 m) et 54 po (1,37 m) :

1. Soulevez le plateau de coupe à la position maximale.
2. Retirez le capuchon de protection en caoutchouc du plateau de coupe, comme illustré au numéro 1 de la Figure 21.
3. Soulevez le déflecteur de goulotte (consultez le numéro 2 de la Figure 21) sur le plateau de coupe et maintenez-le en place pendant que vous installez l'adaptateur de goulotte (731-10133) (3) sur le plateau de coupe, comme illustré à la Figure 21.
4. Insérez l'extrémité du coude de la goulotte de descente de décharge (1) dans l'orifice prévu à cet effet dans la roue du plateau de coupe, comme illustré dans l'encart de la Figure 22.
5. Faites pivoter la goulotte de décharge de descente vers l'arrière jusqu'à ce que l'orifice du coude de la goulotte de décharge s'aligne sur l'adaptateur du plateau de coupe. Déplacez le coude de décharge vers le bas sur cette broche, comme illustré au numéro 2 de la Figure 22.
6. Fixez le coude de la goulotte de descente au plateau de coupe au moyen du bouton à ailettes (720-04122) inclus dans la trousse de quincaillerie 689-01419. Consultez la Figure 23.

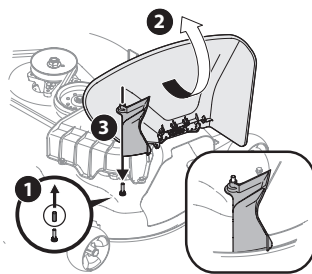


Figure 21

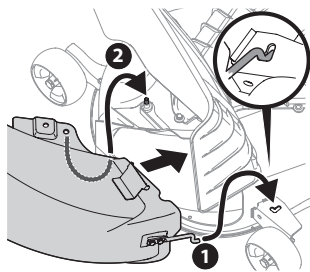


Figure 22

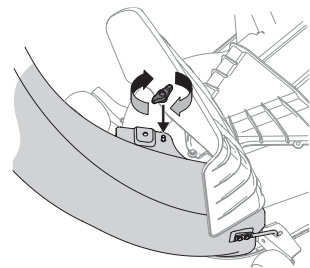


Figure 23

Installation du tube de la goulotte supérieure

1. Vissez fermement l'extrémité supérieure du tube de goulotte dans le support de la goulotte supérieure. Pour assurer un enfilage sûr, il y a deux languettes sur la partie intérieure du support de la goulotte supérieure. Consultez la Figure 24.

NOTE : Le filet du tube et le support de la goulotte supérieure sont **vers la gauche**. Vissez dans le sens antihoraire jusqu'à ce que l'élément soit bien en place.

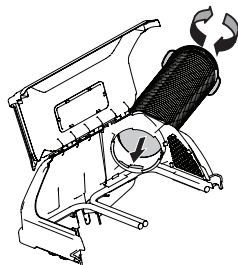


Figure 24

Installation du contrepoids

⚠ AVERTISSEMENT

Cette trousse de poids avant est requise pour l'utilisation de tout modèle tracteur à rayon de braquage zéro compatible, équipé d'un collecteur d'herbe. Le non-respect de cette directive d'installation de cette trousse peut entraîner des blessures graves, voire la mort.

⚠ AVERTISSEMENT

Avant de commencer l'installation, placez le tracteur à rayon de braquage zéro sur une surface ferme et plane, serrez le frein de stationnement, placez la prise de force en position désengagée (OFF), arrêtez le moteur et retirez la clé de contact pour éviter tout démarrage involontaire.

1. Avant l'assemblage, décollez les autocollants adhésifs de la feuille et appliquez-les sur les faces intérieures des supports de suspension de poids gauche et droit, comme indiqué à la Figure 26.
2. Fixez le poids et les plaques de poids aux supports de suspension à l'aide de deux vis à tête hexagonale de 3/8 po (710-3085) et de deux écrous (712-04065) comme illustré à la Figure 27.
3. Centrez visuellement la barre de pesée sur le tracteur et utilisez deux vis à tête hexagonale de 7/16 po (710-3056) et deux écrous (712-04063) pour fixer l'ensemble de contrepoids au tracteur, comme illustré à la Figure 28.

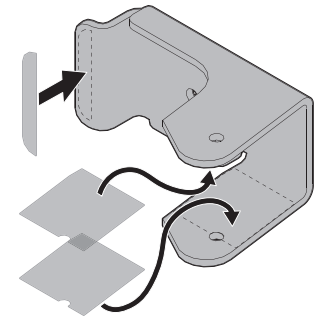


Figure 26

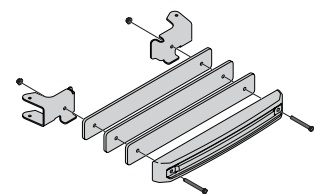


Figure 27

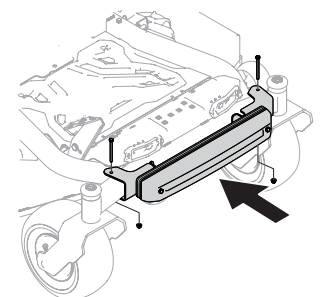


Figure 28

UTILISATION

Utilisation du dispositif d'ensachage double

NOTE: Lorsque les deux sacs à herbe sont pleins, immobilisez le tracteur sur une surface dure et de niveau, désembrayez la prise de force, coupez le moteur du tracteur et engagez le frein à main.

1. Ouvrez le capot en enfonçant les onglets arrière avec votre main (1), l'ouvrir et en soulevant le couvercle de l'autre main au centre, à l'arrière du couvercle de l'ensacheuse (2) comme illustré à la Figure 29.
2. Ne retirez pas le tube de goulotte du tracteur.
3. Retirez les deux ensembles de sac des supports en soulevant d'abord le rebord avant, puis en faisant glisser le rebord arrière vers l'avant et vers le haut jusqu'à ce qu'il soit dégagé du cadre. Consultez la Figure 30.
4. Videz les déchets de coupe dans un site d'élimination des déchets approprié, servez-vous de la poignée au fond de chaque sac à herbe. En maintenant fermement le sac, videz son contenu.
5. Remplacez les sacs à herbe, fermez le couvercle, remplacez le siège, redémarrez votre tracteur, déclenchez le frein de stationnement et continuez à tondre la pelouse.

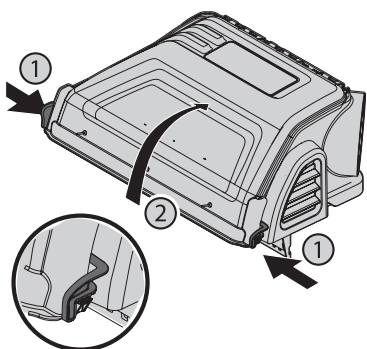


Figure 29

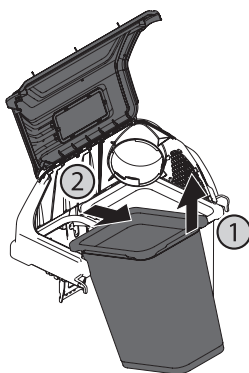


Figure 30

GARANTIE LIMITÉE DU FABRICANT

La garantie limitée décrite ci-dessous est offerte par MTD LLC pour des nouveaux produits achetés et utilisés aux États-Unis, et/ou ses possessions et ses territoires, et par MTL Products Limited pour des nouveaux produits achetés et utilisés au Canada et/ou ses territoires et ses possessions (l'une ou l'autre des entités respectivement, « MTD »).

« MTD » garantie ce produit (à l'exception de ses *pièces à usure normale et ses accessoires* tel que décrit ci-dessous) contre les défauts de matériel ou de fabrication pour une période d'un (1) an à partir de la date d'achat initiale du produit et s'engage à réparer ou à remplacer gratuitement, à son choix, toute pièce qui s'avère défectueuse en raison d'un vice de matière ou de fabrication. La présente garantie limitée est en vigueur uniquement si le produit a été utilisé et entretenu conformément aux directives du manuel du propriétaire fourni avec le produit et que ce dernier n'ait pas été soumis à un emploi incorrect ou abusif, une utilisation commerciale, une négligence, un accident, un entretien incorrect, une modification ou a été l'objet de vandalisme, d'un vol, d'un incendie ou encore, endommagé par de l'eau, une catastrophe naturelle ou autres. Les dommages provoqués par l'installation ou l'utilisation de pièce ou accessoire, dont l'utilisation avec le ou les produits décrits dans le présent manuel n'est pas homologuée par MTD, annulera la présente garantie qui couvrirait autrement ces dommages.

Les pièces à usure normale sont garanties contre tous vices de matière et de fabrication pour une période de trente (30) jours à partir de la date d'achat du produit au détail. Ces pièces comprennent, sans toutefois s'y limiter, des articles comme : les batteries, les courroies, les lames, les adaptateurs de lame, les sacs à herbe, les roues du plateau de coupe, les sièges, les patins de souffluse, les lames de raclage, le caoutchouc de la tarière et les pneus.

Accessoires — MTD garantie les accessoires pour ce produit contre les défauts de matériel ou de fabrication pour une période d'un (1) an à partir de la date d'achat initiale du produit ou de sa location. Ces pièces comprennent, sans toutefois s'y limiter, des articles comme : les bacs de ramassage et les trousseaux de mulch.

MODALITÉS POUR RÉPARATIONS SOUS GARANTIE: L'atelier de réparations agréé de votre région vous offre le service de réparations sous garantie sur présentation DE LA PREUVE D'ACHAT. Pour trouver un concessionnaire dans votre région :

Aux États-Unis

Consultez les Pages jaunes ou communiquez par la poste avec MTD LLC à la C.P. 3611231, Cleveland, Ohio, 44136-0019 É.-U., par téléphone en composant le 1-800-7310, 1-330-220-4683 ou accédez à notre site Web à l'adresse www.mtdproducts.com.

Au Canada

Communiquez par la poste avec MTD Products Limited, Kitchener, ON N2G 4J1, ou par téléphone en composant le 1-800-668-1238 accédez à notre site Web à l'adresse www.mtdproducts.com.

La présente garantie limitée **ne couvre pas** les cas suivants :

- Les pompes, les soupapes et les cylindres des fendeuses à bois comportent une garantie distincte d'un (1) an.

- Les articles d'entretien courant tel que les lubrifiants, les filtres, l'aiguisage de lames, les révisions, les réglages des freins, de l'embrayage ou du plateau de coupe ainsi que la détérioration normale de la finition extérieure en raison de l'utilisation du produit ou de son exposition aux intempéries.
- Une réparation exécutée par une personne autre qu'à un atelier de réparations agréé.
- MTD ne prolonge aucune garantie pour des produits vendus ou exportés à l'extérieur des États-Unis et/ou au Canada, et leurs possessions et territoires sauf aux produits vendus par l'intermédiaire des canaux agréés de distribution à l'exportation de MTD.
- Les pièces de rechange qui ne sont pas des pièces authentiques de MTD.
- Les frais de transport et les visites de réparateurs.
- MTD ne garantit pas ce produit pour l'usage commercial.

Aucune garantie implicite, y compris toute garantie implicite de qualité marchande ou de convenance précise, ne s'applique après les délais de la garantie écrite ci-dessus quant aux pièces comme identifiées. Aucune autre garantie écrite, écrite ou verbale, à l'exception de la garantie stipulée ci-dessus, offerte par un tiers ou un autre organisme notamment un concessionnaire ou un détaillant, concernant n'importe quel produit, ne saurait astreindre MTD. Au cours de la période de garantie, le recours unique offert est la réparation ou le remplacement du produit comme stipulé(e) ci-dessus.

Les conditions stipulés dans la présente garantie constituent le recours unique et exclusif découlant de la vente de ses produits. MTD ne peut être tenue responsable pour toute perte ou dommage accidentel ou indirect y compris, sans toutefois s'y limiter, aux dépenses afférentes aux services substitués de soins de pelouse ou à la location pour remplacer temporairement un produit garanti.

Certains états n'autorisent pas l'exclusion ou la limitation des dommages accidentels ou indirects ou la limitation de la durée d'une garantie implicite. Il se pourrait alors que les exclusions ou limitations stipulés ne s'appliquent pas dans votre cas.

En aucune éventualité, la valeur du recouvrement ne saurait être supérieure à celle du prix d'achat du produit vendu. **Toute modification des fonctionnalités de sécurité du produit annulera la présente garantie.** Vous êtes personnellement responsable pour toute pertes, dommages ou blessures personnelles, à votre propriété et envers autrui et leur propriété, qui découlent d'une utilisation incorrecte ou d'une incapacité d'utiliser le produit.

La présente garantie limitée n'est valable que pour l'acheteur original, ou la personne ayant reçu le produit en cadeau, et ne peut être transférée.

LES LOIS NATIONALES EN LIEN AVEC LA PRÉSENTE GARANTIE: La présente garantie limitée vous donne des droits spécifiques. Il se pourrait que vous ayez d'autres droits qui varient d'un état à l'autre.

IMPORTANT: Le propriétaire peut être tenu de présenter une preuve d'achat pour obtenir la garantie.

**MTD LLC, C.P. 361131, CLEVELAND, OHIO 44136-0019 É.-U.; Téléphone : 1-800-800-7310, 1-330-220-4683
MTD Canada Limited - KITCHENER, ON N2G 4J1; Téléphone 1-800-668-1238**

NOTES PAGE

NOTES PAGE