

SIMPLE SHOE RACK

Before installing using the product, please read these instructions carefully before assembling the product

Use: for home bedroom private room, etc.

Material: steel, plastic fittings, Oxford cloth or non-woven fabrics









Toxic substances: None

Precautions:

1. Do not touch the cut surface of the steel pipe
- 2, make sure that the various parts of the accessories are complete
- 3, be sure to follow the installation sequence assembly instructions

list:

Weather colder regions Note: Soak Interface with warm water for a few minutes

LEGEND	NUMBER	QUANTITY	LENGTH
	①	28	54CM
	②	21	25CM
	③	36	17CM
	⑥	24+1	
	⑦	12+1	
	⑧	4	
	⑨	2	
		14+1	49X27.8cm

INSTALLATION STEPS

STEP 1

Take the 2① into the 1 run



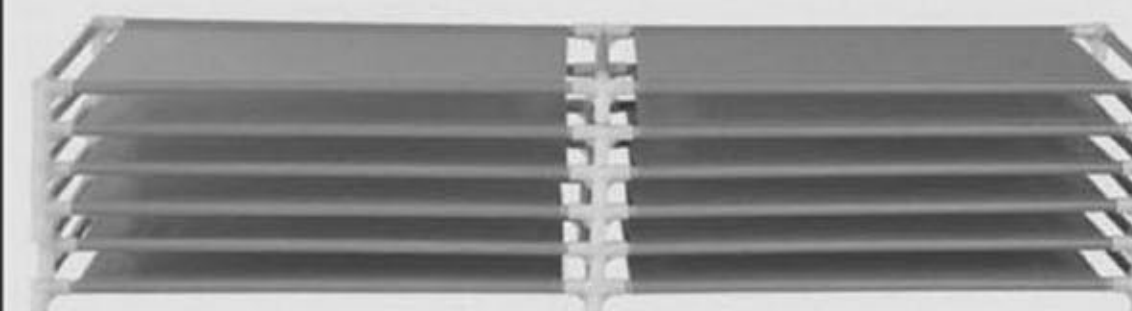
STEP 2

2 sides with ②⑥links, the middle with ①⑦ connection



STEP 3

Repeat the above steps, with 6 layers



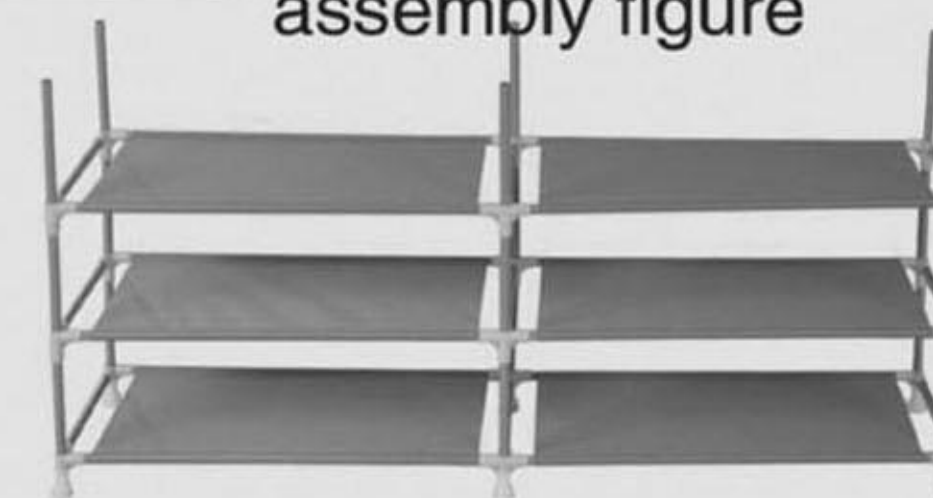
STEP 4

Take ⑧ assembly as shown in Fig.



STEP 5

Take the ③ the barrier assembly figure



STEP 6

Frame assembly



STEP 7

Take a cloth cover put on a cloth cover

