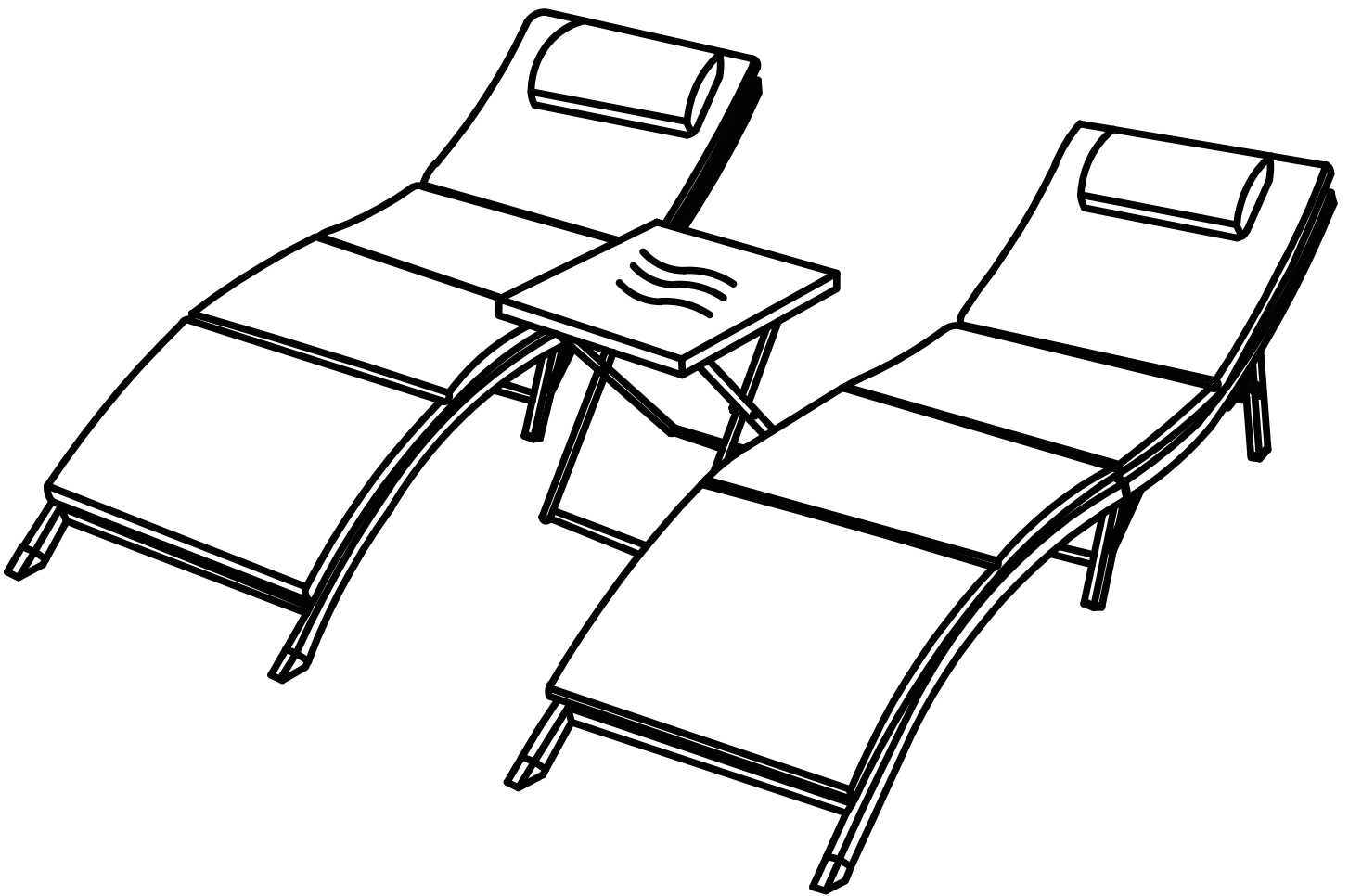


Chaise Lounge Set 3 Pcs

Instructions



Model:03DB23-FB

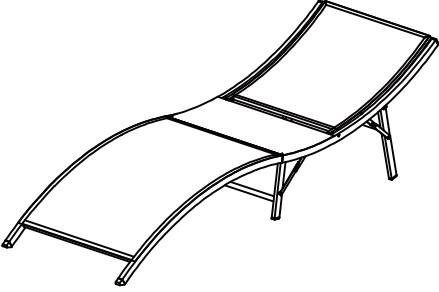
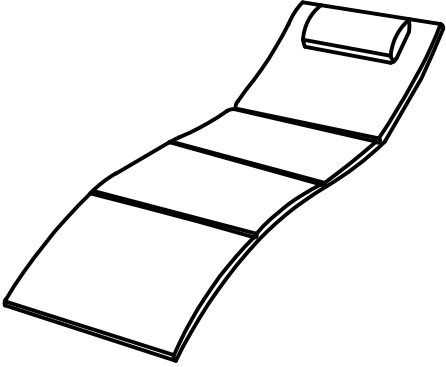
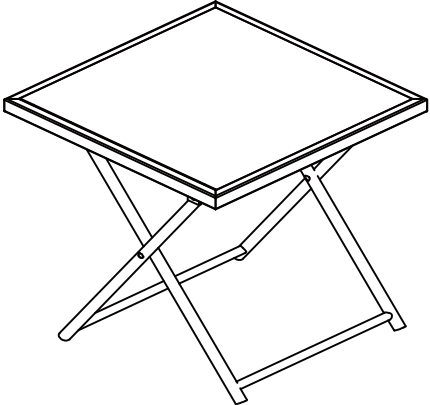
Care & Instructions

Thank you for ordering the leisure set, here are some tips that may help you.

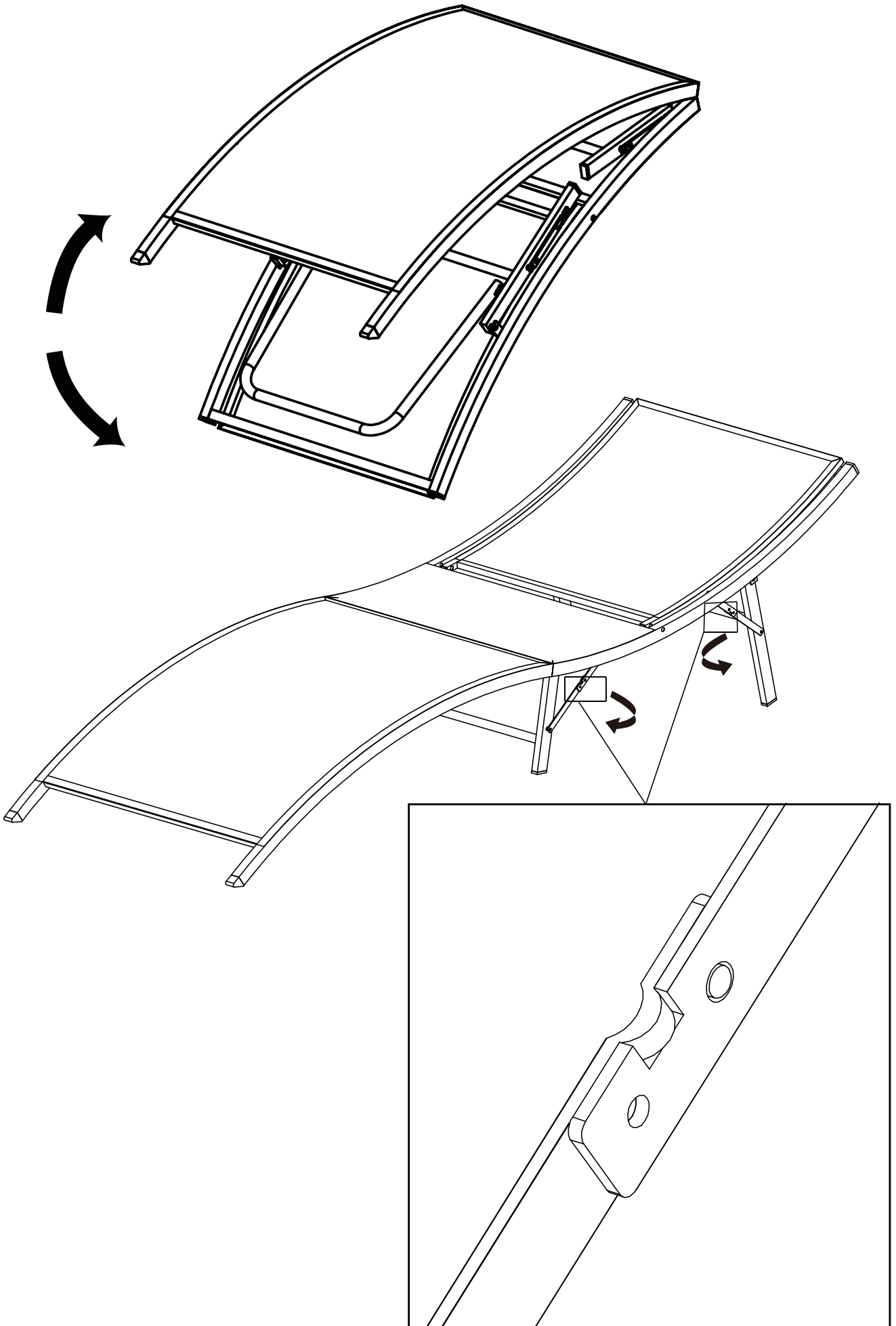
1. This leisure set consists of a box with two folding beds and a small coffee table. This product does not require the installation of any screws, is directly unfolded and can be used.
2. When you get the cushion, please tear open the PE compression bag packaging, the cushion will spring back to normal. We also have ties and Velcro can fix our cushion and the recliner itself, making it more snug and comfortable.
3. If any part is damaged, please do not worry, you can contact us, and we will provide you with a good solution.
4. In order to prolong the service life of the cushion fabric cover, we suggest you to keep all the cushions indoors on rainy days.
5. We hope you will like our products, and we are equally looking forward to our products bringing you a good leisure experience. If you have any other questions, please feel free to contact us.



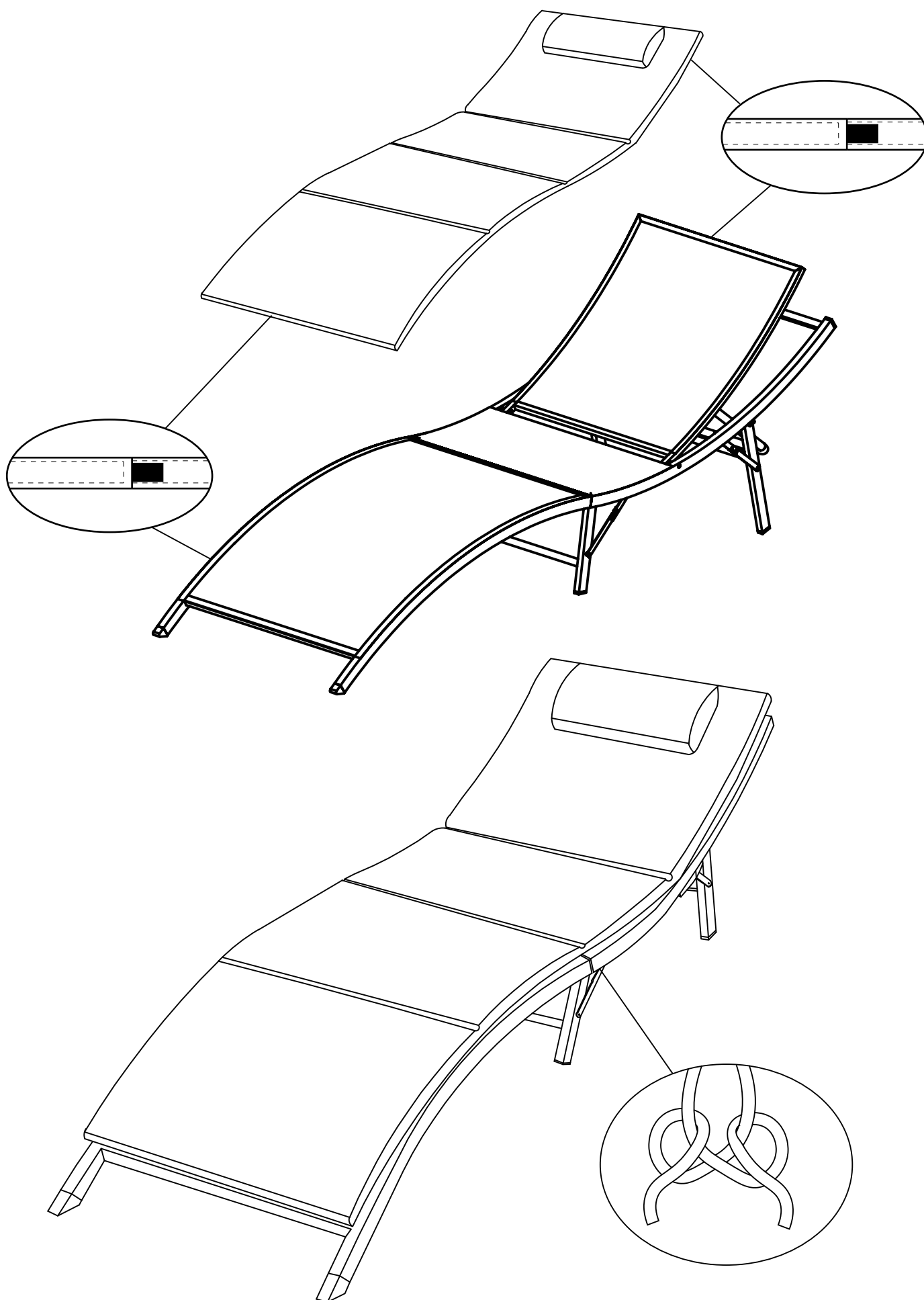
Paking Lists

Part	Img	Description	Qty
A		Folding Bed	2 PCS
B		Cushion	2 PCS
C		Side Table	1 PC

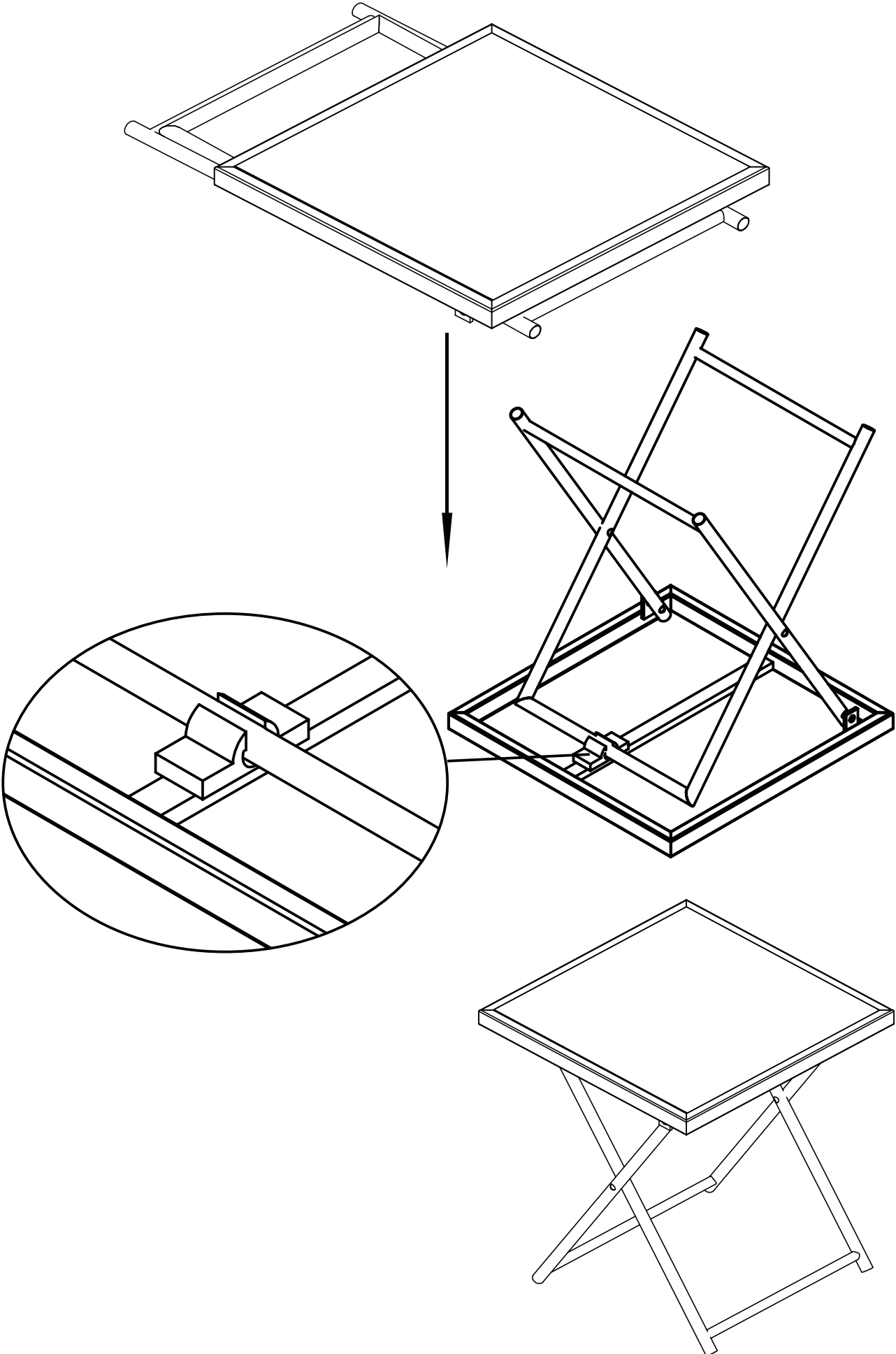
Step 1: Unfold lounge chair A



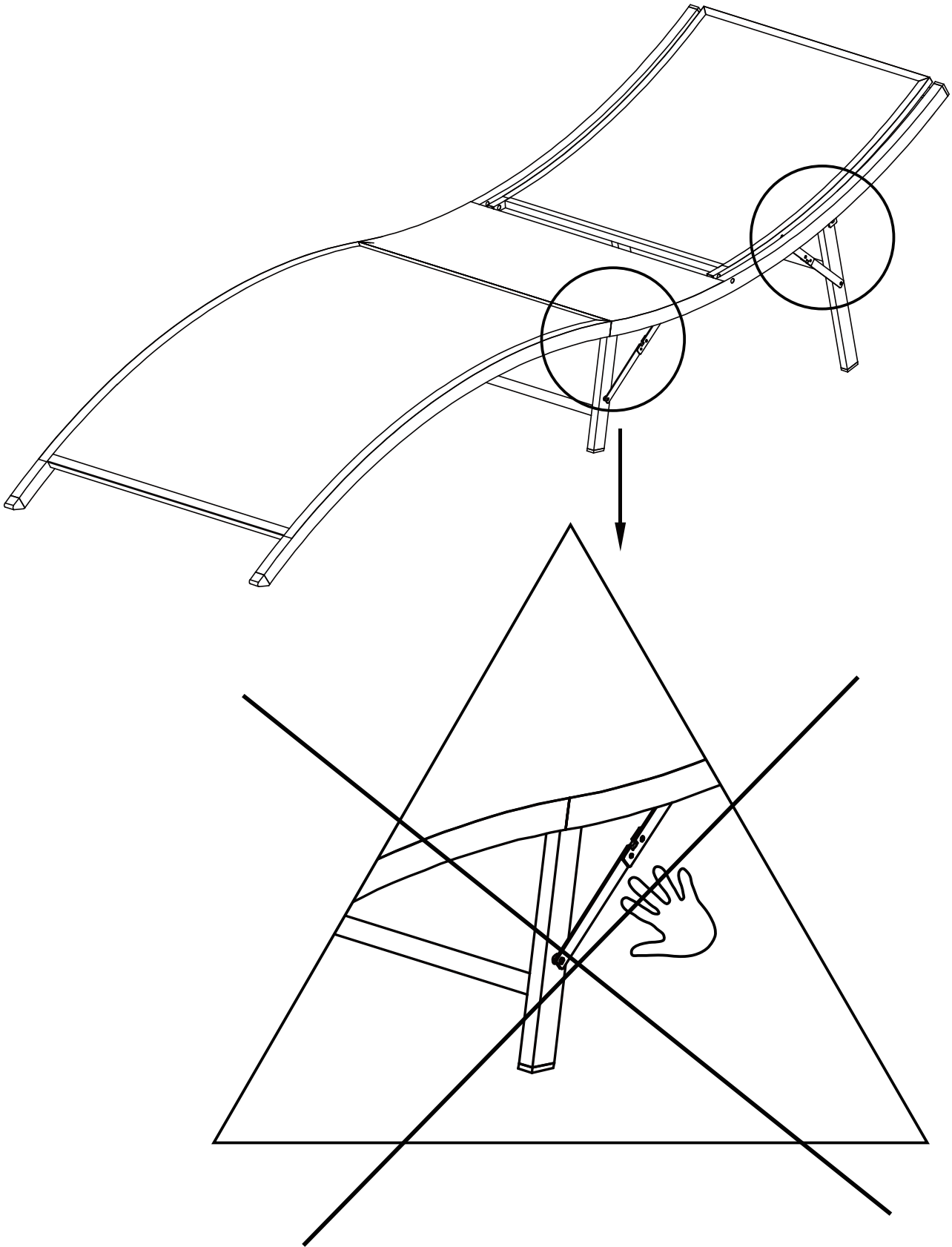
Step 2: Tie B and A together



Step3:Unfold side table C



Warning



Do not put your hand into the rotating mechanism during merging to prevent hand clamping