



**COUNT AND INSPECT ALL PARTS CONFIRMING ALL  
WERE RECEIVED AND ARE IN GOOD CONDITION.  
FOR ANY REPLACEMENT PARTS OR HARDWARE,  
AND/OR HELP WITH ASSEMBLY;**

**CONTACT US AT:**

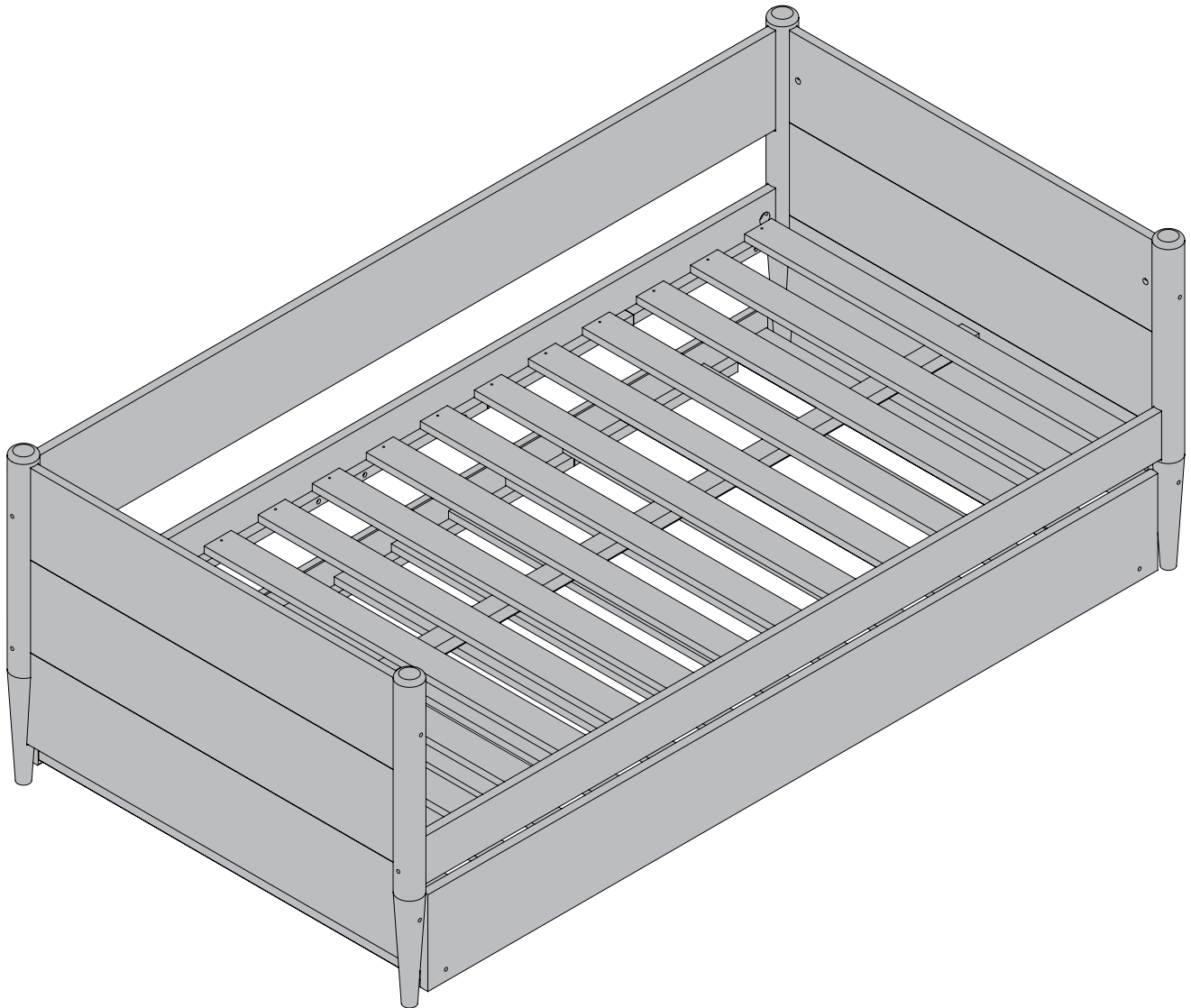
**[info@camaflexi.com](mailto:info@camaflexi.com)**

**OR CALL US AT:**

**(347)844-9307**

**PLEASE HAVE THE MODEL NUMBER AND/OR PART  
NUMBER NEEDED AS SHOWN IN THE PACKAGING OR  
ASSEMBLY MANUAL**

# Mid Century Modern DayBed - Twin Size

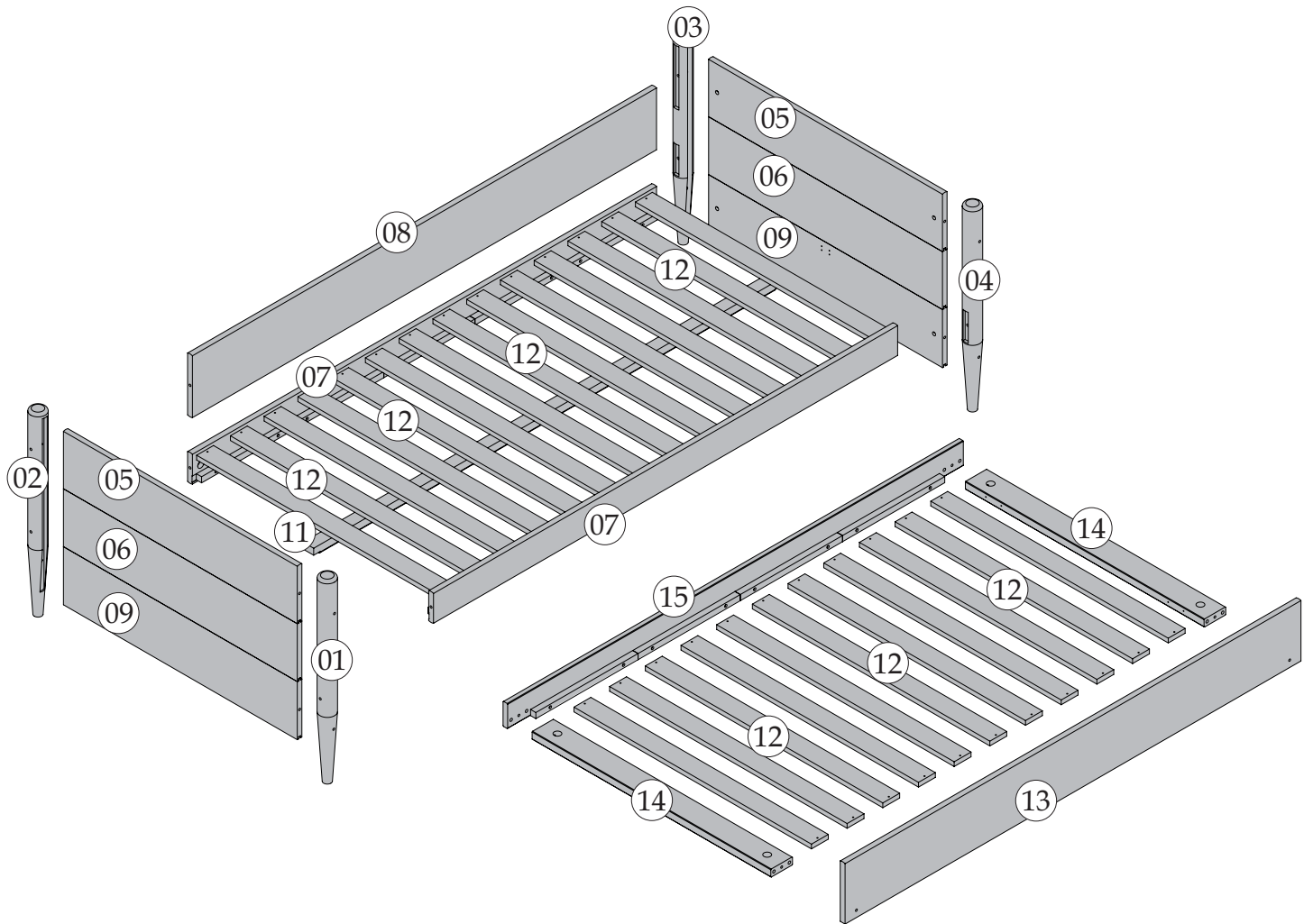


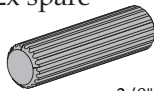

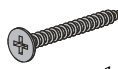
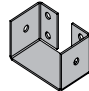
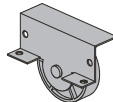
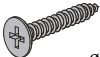


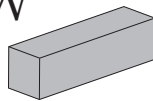
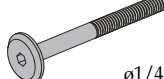
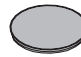
## ATTENTION

- 1 - Read and observe carefully all the assembly instructions before beginning assembly.
- 2 - The assembly of the product must be done on a clean and flat surface. We suggest to use the packaging to cover the floor to avoid damages.
- 3 - The screws must be tightened periodically.
- 4 - Avoid contact with sharp objects.
- 5 - Avoid banging pieces together.

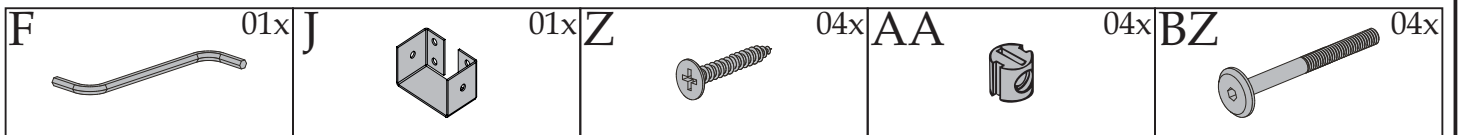
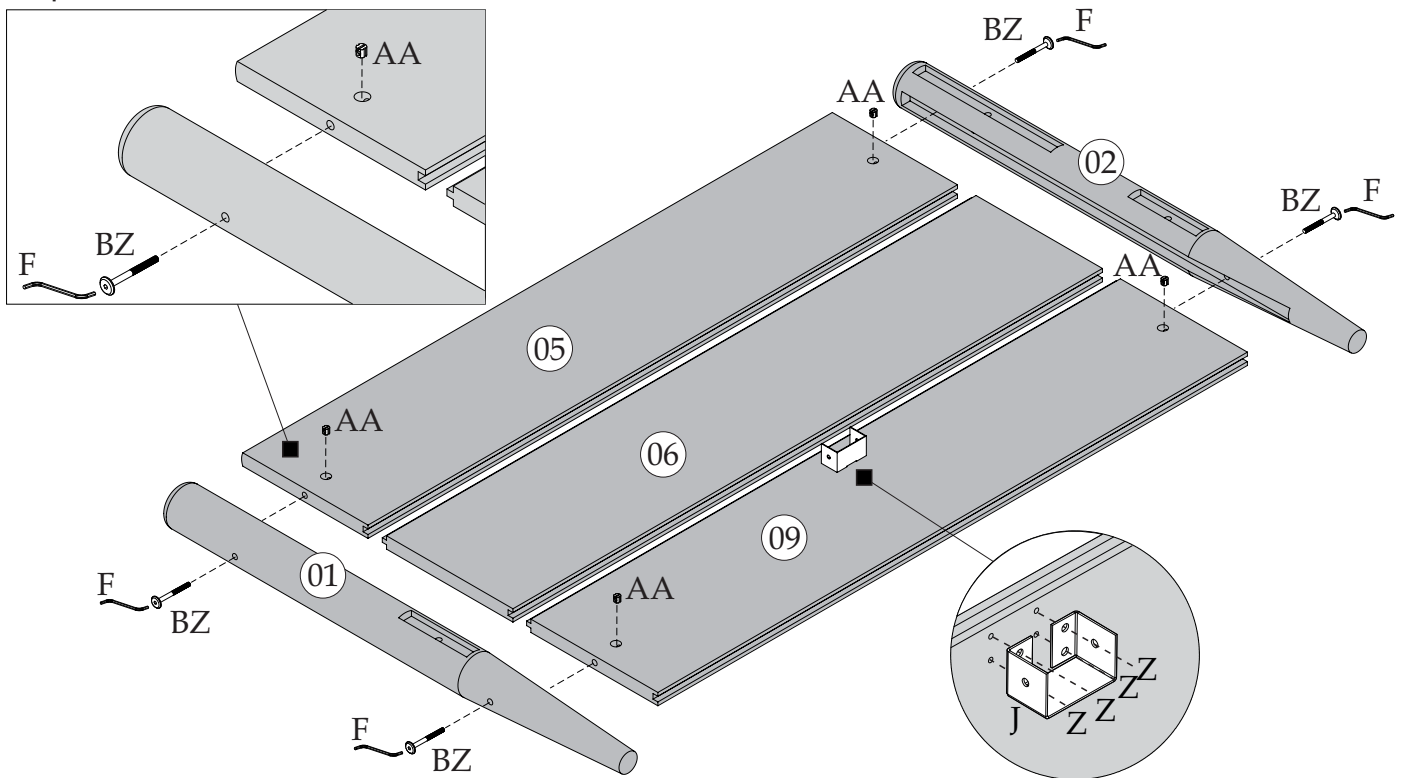


Parts and hardware list for assembly.  
Please confirm all parts available before assembly.

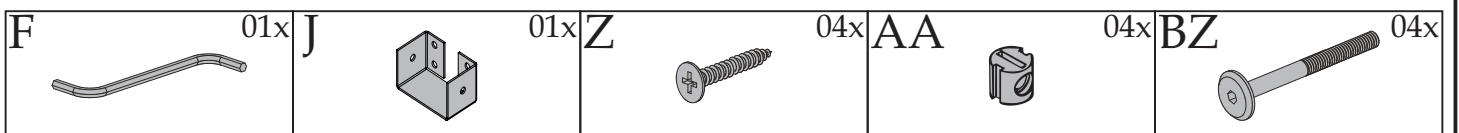
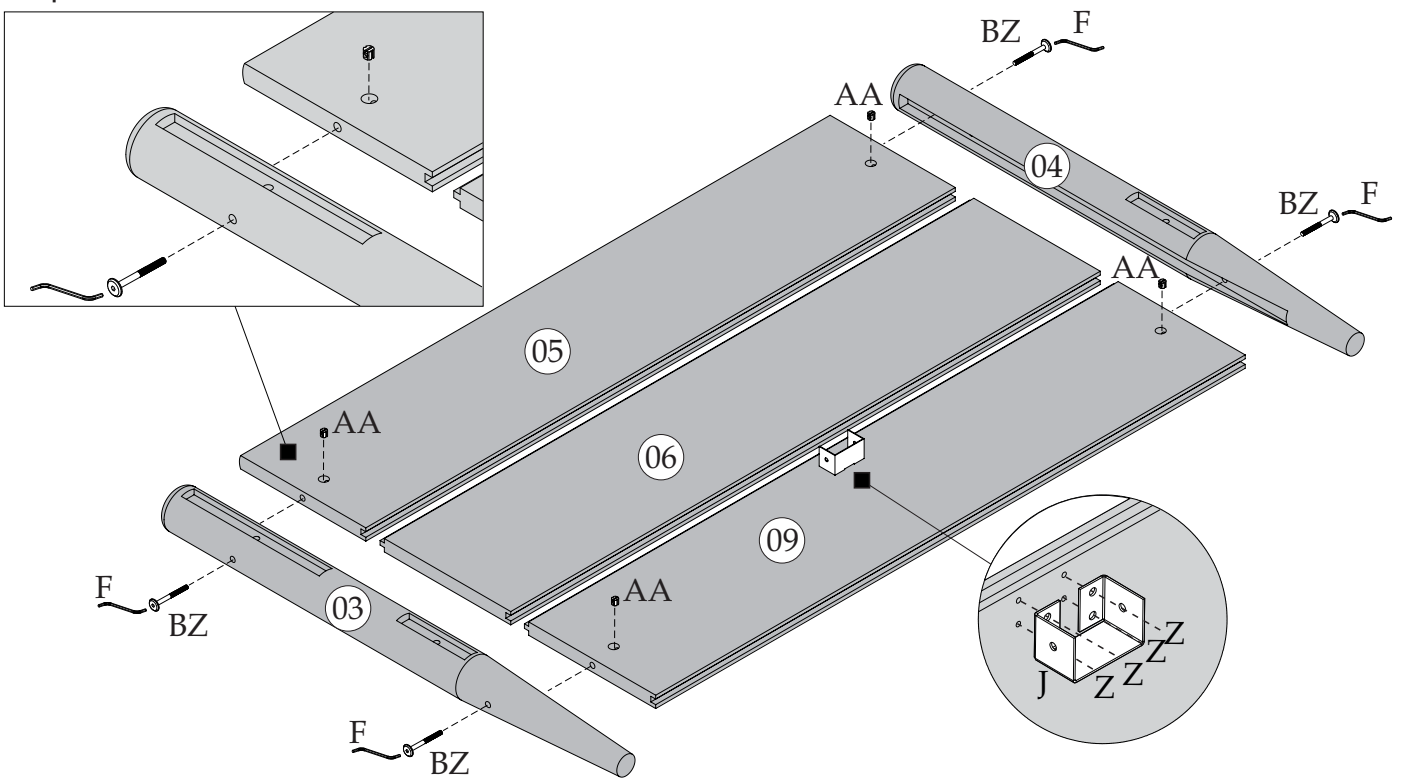


<b>A</b> +2x spare  $\varnothing 3/8" \times 1 9/16"$	<b>08x</b>	<b>F</b> +1x spare  $1/4" \times 4 1/4"$	<b>01x</b>	<b>I</b> +2x spare  $\varnothing 1/8" \times 1 3/8"$	<b>48x</b>	<b>J</b> 	<b>02x</b>
<b>Y</b> 	<b>04x</b>	<b>Z</b> +2x spare  $\varnothing 1/8" \times 5/8"$	<b>28x</b>	<b>AA</b> +1x spare  $1/4" \times 1/2"$	<b>10x</b>	<b>BC</b> +1x spare  $1/4"$	<b>08x</b>
<b>BW</b> 	<b>02x</b>	<b>BZ</b> +2x spare  $\varnothing 1/4" \times 3 1/2"$	<b>18x</b>	<b>BX</b> +2x spare 	<b>06x</b>		
	<b>3 1/4"</b>				<b>3/4"</b>		

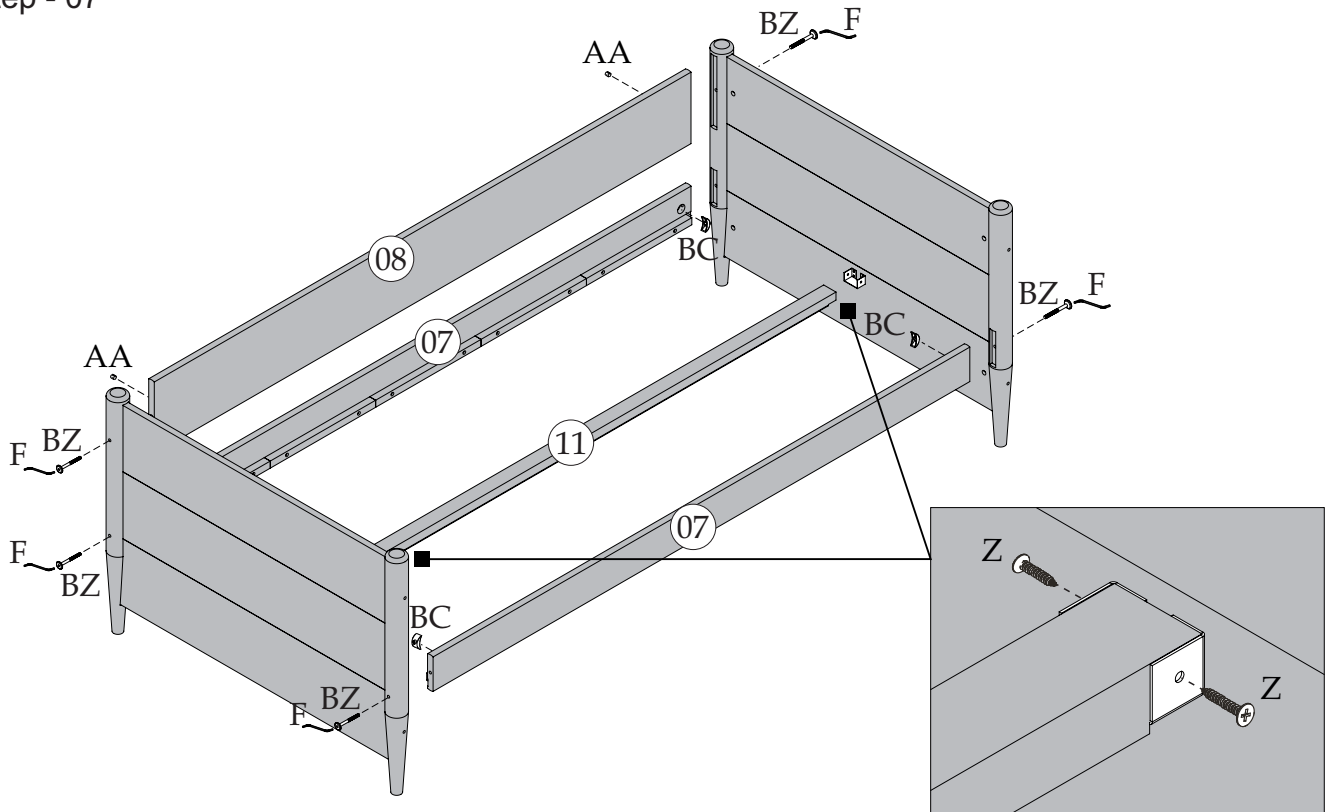
Step - 01



Step - 02

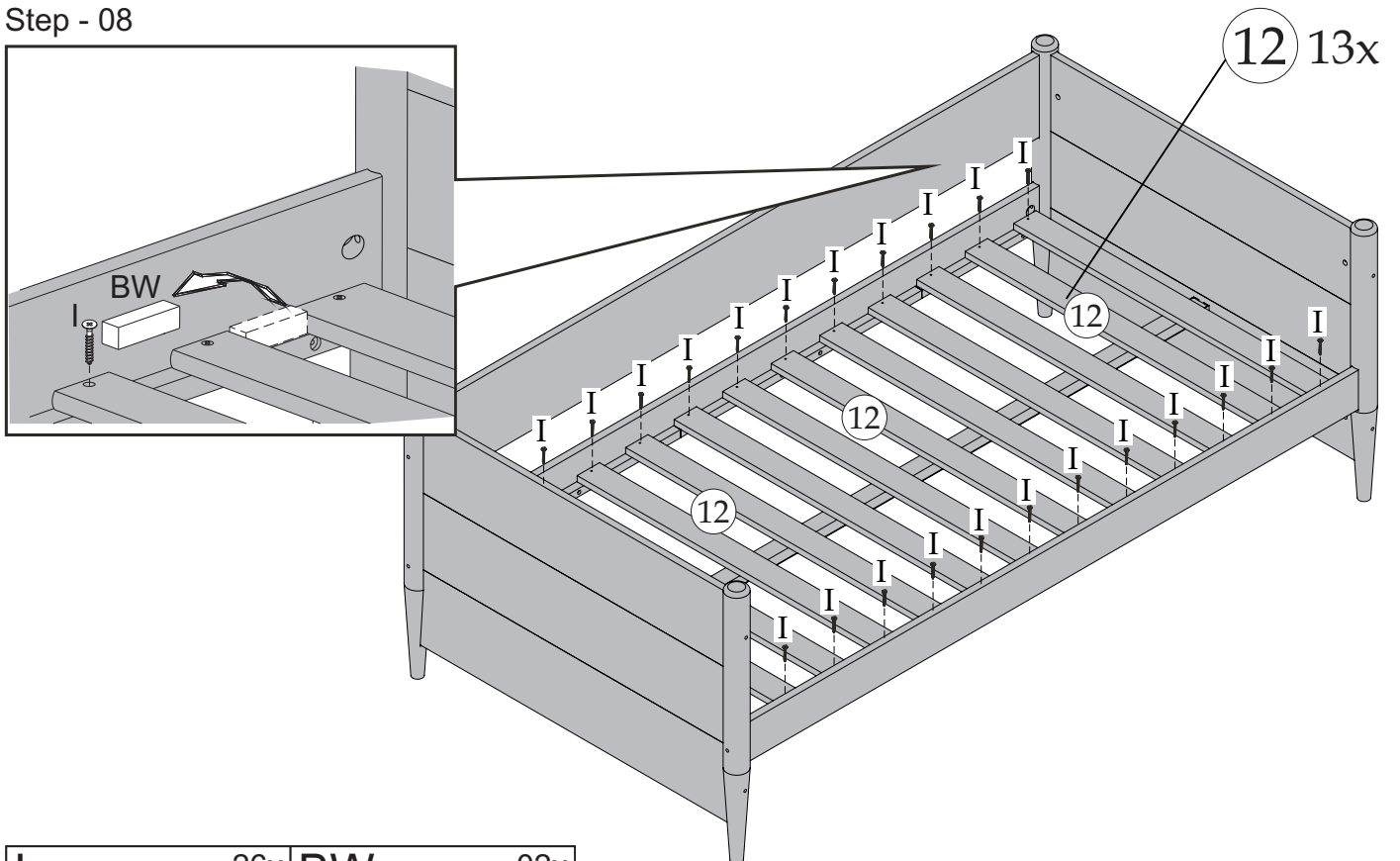


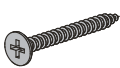
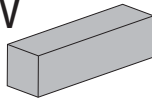
Step - 07



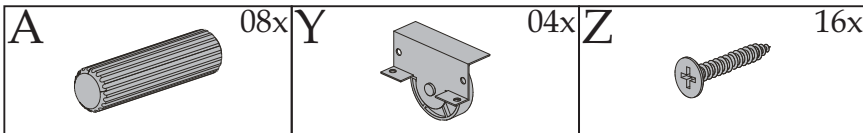
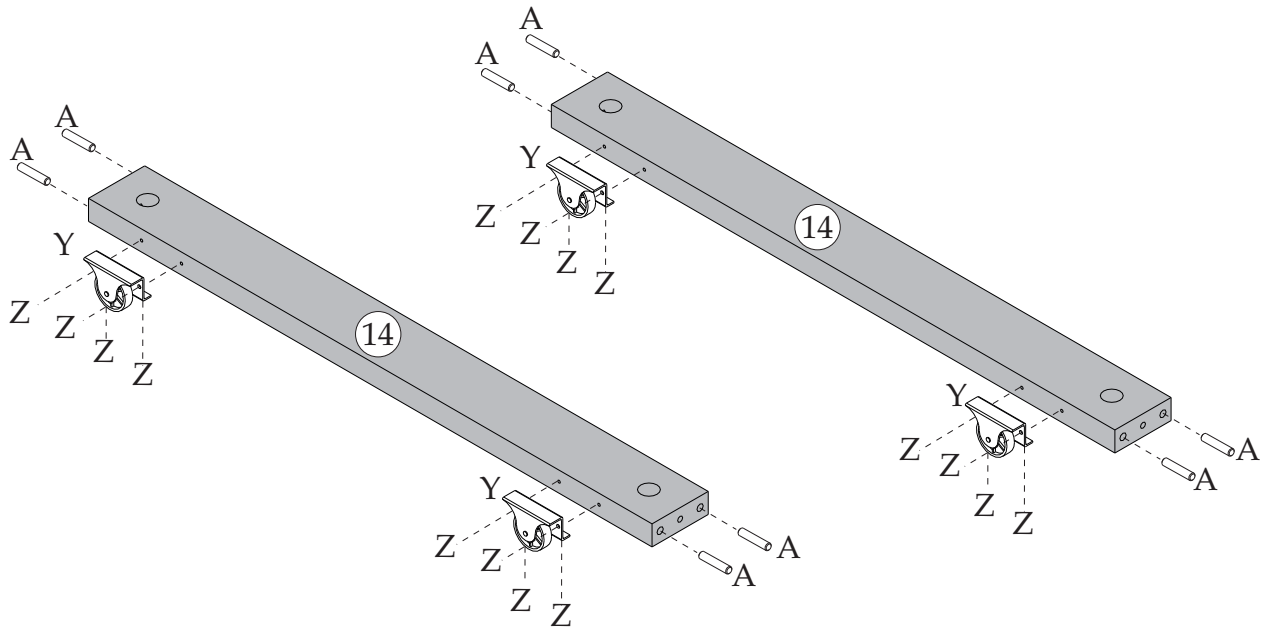
<p>F 01x</p> 	<p>Z 04x</p> 	<p>AA 02x</p> 	<p>BC 04x</p> 	<p>BZ 06x</p> 
---	---	--	--	--

Step - 08

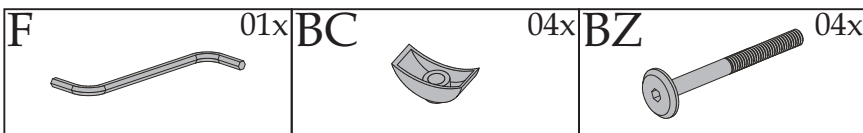
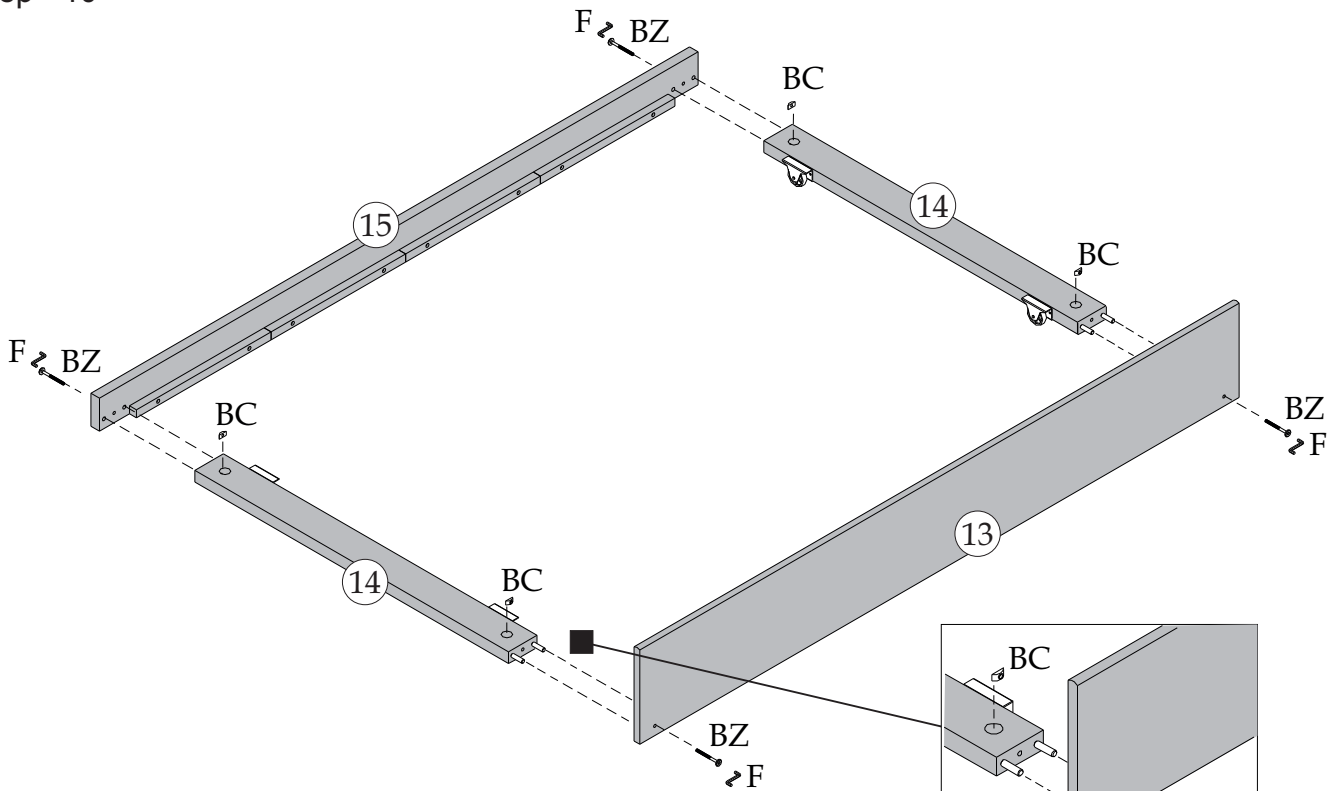


<p>I 26x</p> 	<p>BW 02x</p> 
--	---

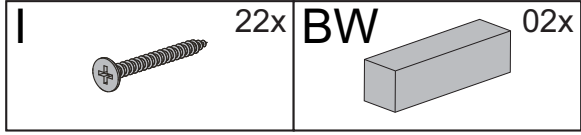
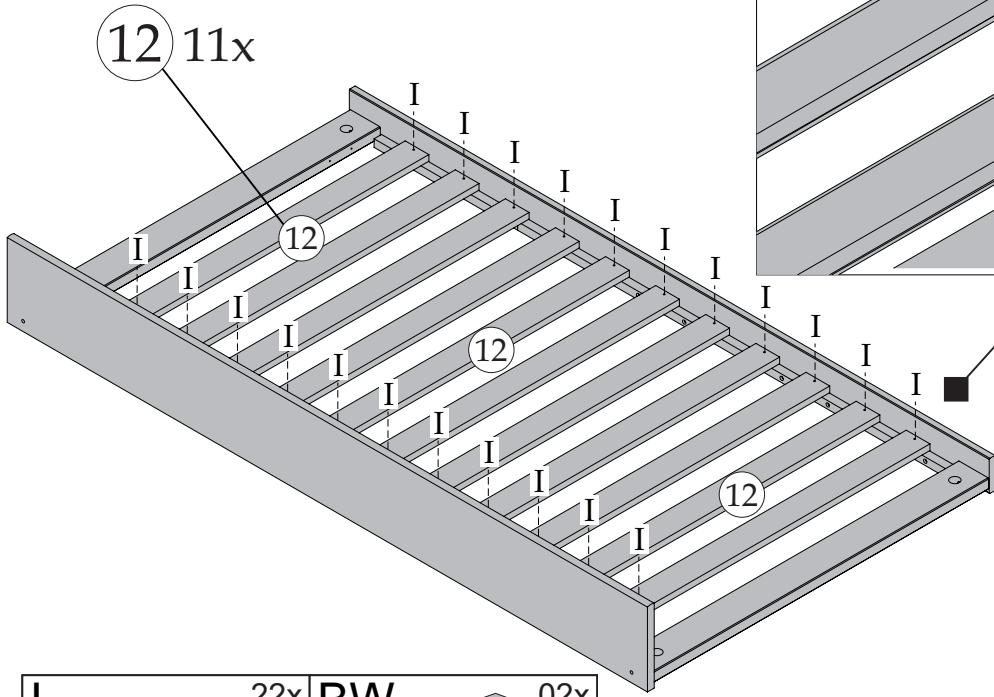
Step - 09



Step - 10



Step - 11



Step - 12

