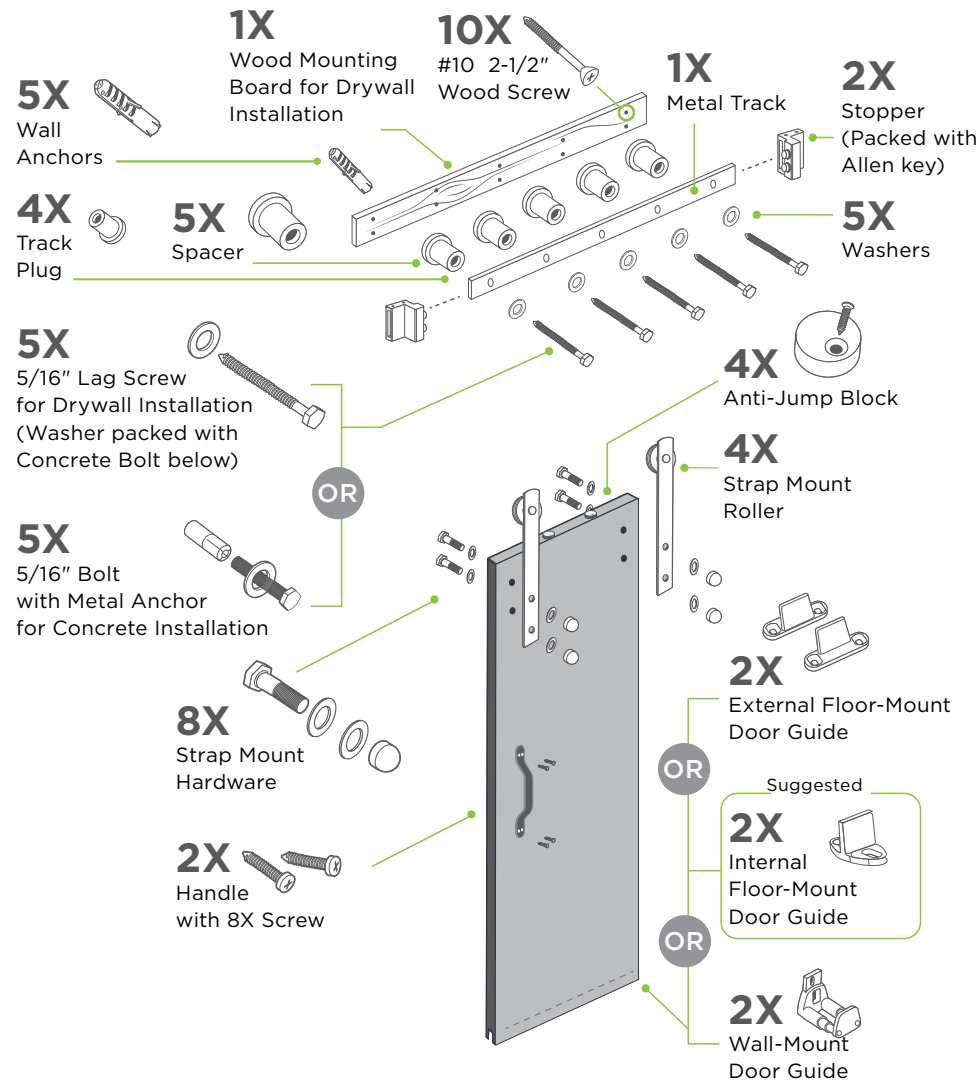


Double Barn Door Installation Guide

BARN DOOR HARDWARE STRAIGHT STRAP KIT



Before You Begin

Read instructions fully. Not following installation instructions can cause the unit to work in an unsafe manner and cause injury.

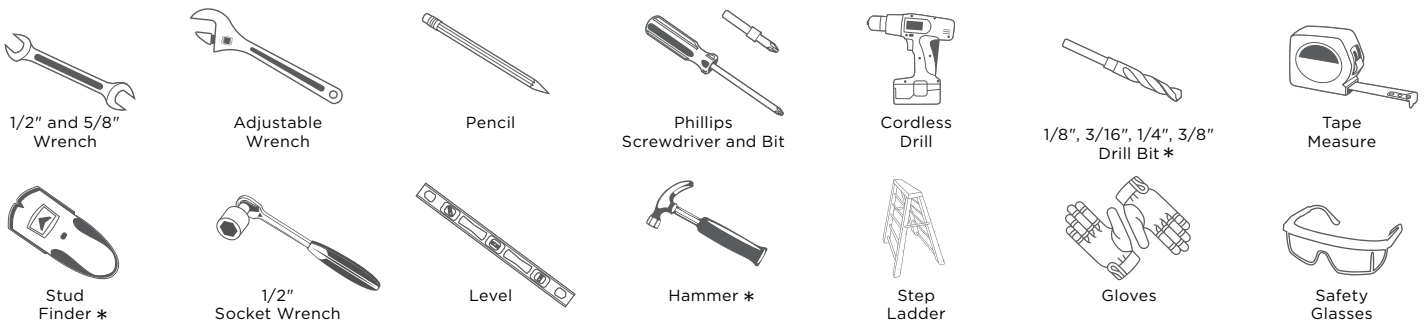
The barn door kit has been designed to work as a total system. Any modification to the door or the hardware will void the warranty and may cause the unit to work improperly.

The weight of the barn door requires two people during installation.

Always wear appropriate personal protection equipment when using tools and follow manufacturer's operating instructions.

When installing directly into a non-concrete wall, the provided **wood mounting board** must be securely attached to wall studs using a stud finder and included hardware before installing track.

Tools Required (not included)



* Depending on door model and mounting application
NOTE: if installing in concrete, a 5/16" masonry bit will be needed

Double Barn Door Installation Guide MASONITE.

BARN DOOR HARDWARE STRAIGHT STRAP KIT

1 DETERMINE WALL MATERIAL

This kit includes components and hardware for installation onto drywall or concrete wall construction.

The mounting process, components, and hardware needed depend on your application.

DRYWALL ONLY



CONCRETE ONLY

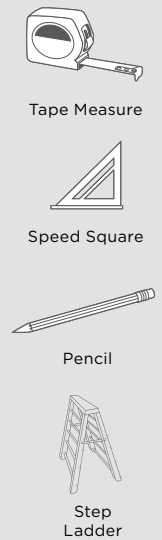
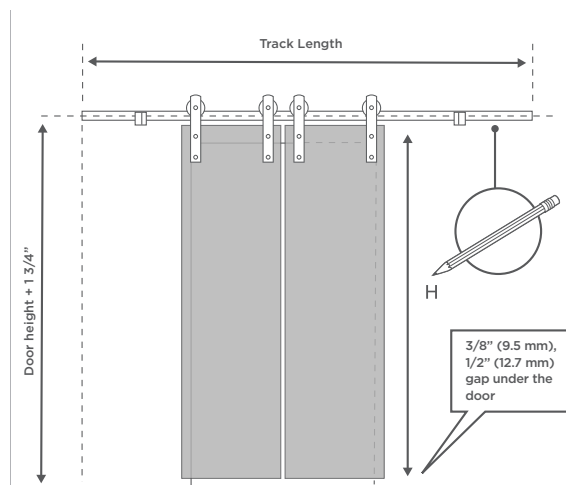


2 MARK TRACK LOCATION FOR WALL INSTALLATION

Using a ladder, tape measure and speed square, find the center line position of the track by adding 1-3/4" to the door height and measuring up from the floor. Mark with a pencil.

When installing with a standard 80" height opening, the top trim will need to be removed, and the top of the side trim cut horizontally along the height of the opening. (NOT SHOWN)

FIGURE 1. Locate the center position on the track



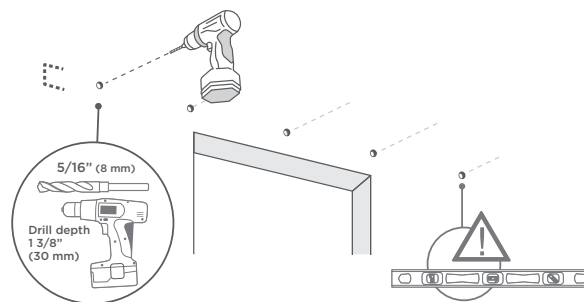
3 WALL PREPARATION (FOR CONCRETE INSTALLATION)

IF INSTALLING INTO DRYWALL, PLEASE PROCEED TO STEP 5.

Center the track above the wall opening and mark center hole locations with a pencil. **Ensuring it is level** and using the track as a template, mark mounting hole locations for the track using a pencil. (FIGURE 2) **See installation tip below.**

For Concrete: Predrill the concrete at marked locations using 5/16" masonry drill bit.

FIGURE 2. Drill mounting holes in concrete



Double Barn Door Installation Guide



BARN DOOR HARDWARE STRAIGHT STRAP KIT

4 TRACK PREPARATION (FOR CONCRETE INSTALLATION)

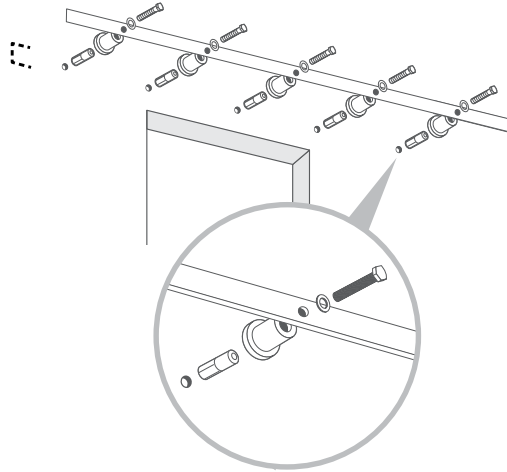
Install track with bolts, washers and spacers using 1/2" wrench. (FIGURE 3)

For Concrete: After completing this step, proceed to Step 11.

Remove metal anchors from bolts and install into holes using a hammer. (FIGURE 3)

INSTALLATION TIP: Locate and temporarily install track with one end bolt without spacer. This will hold one end of the track up so you can move the free end to ensure the track will be level then proceed to mark the other locations of mounting holes.

FIGURE 3. Track mount



5x
5/16" (8mm x 60mm)
Carriage Bolt



5x
3/8" Washer



5x
5/16" (8mm x 25mm)
Anchor



1/2" Socket
Wrench

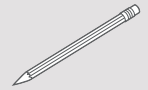
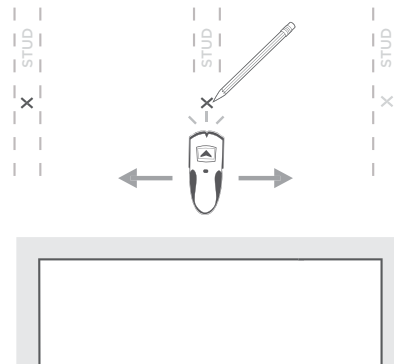
5 LOCATE WALL STUDS (FOR DRY WALL INSTALLATION)

Use a **stud finder** to locate wall studs above door and in direction of door travel.

Mark locations of five studs onto the wall where you will be installing your mounting board.



To ensure secure installation, review stud finder user instructions.



Pencil

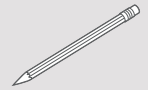
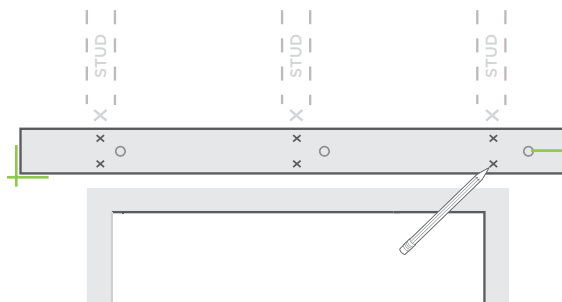


Stud Finder

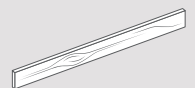
6 MARK STUD LOCATIONS ONTO MOUNTING BOARD (FOR DRY WALL INSTALLATION)

With an **assistant** holding mounting board in place, mark stud locations onto **mounting board**, with two marks per stud, above and below center.

Make sure stud marks do not interfere with track mounting hole marks drawn in Step 2.



Pencil



Mounting
Board

Double Barn Door Installation Guide MASONITE.

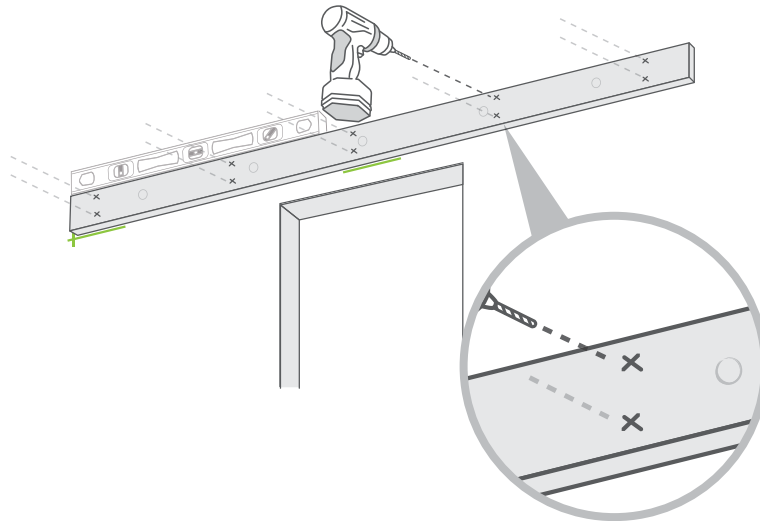
BARN DOOR HARDWARE STRAIGHT STRAP KIT

7 DRILL PILOT HOLES THROUGH MOUNTING BOARD INTO WALL STUDS (FOR DRY WALL INSTALLATION)

With an **assistant** holding mounting board in place, use a **3/16" bit** to drill pilot holes through mounting board and into wall studs at marked locations.



The use of a level is recommended to ensure a level mounting board and track.



3/16" Bit



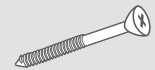
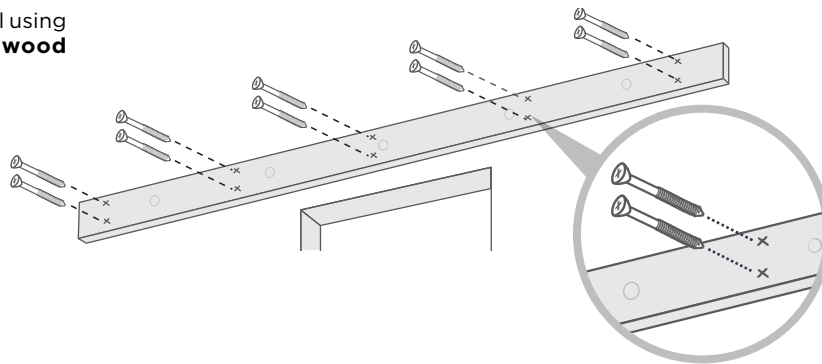
Cordless Drill



Level

8 ATTACH MOUNTING BOARD TO WALL (FOR DRY WALL INSTALLATION)

Attach mounting board to wall using Phillips bit and **#10 2-1/2" wood screws**.



10X
#10 2-1/2"
Wood Screw



Phillips Bit

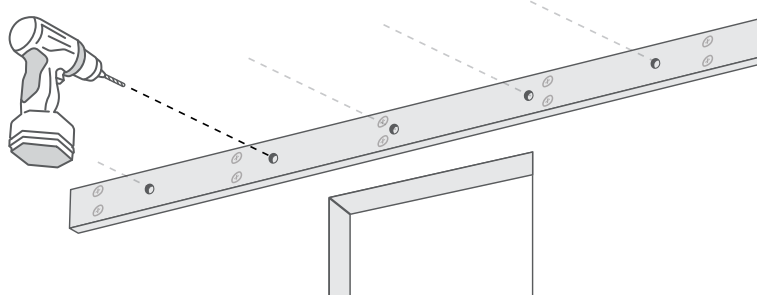


Cordless Drill

9 DRILL HOLES INTO MOUNTING BOARD FOR TRACK (FOR DRY WALL INSTALLATION)

Once the mounting board is installed, center the track above the door opening and mark the track holes on the mounting board with a pencil.

Use a **3/16" bit** to drill pilot holes through mounting board and into drywall.



3/16" Bit



Cordless Drill

Double Barn Door Installation Guide MASONITE.

BARN DOOR HARDWARE STRAIGHT STRAP KIT

10 ATTACH TRACK TO MOUNTING BOARD (FOR DRY WALL INSTALLATION)

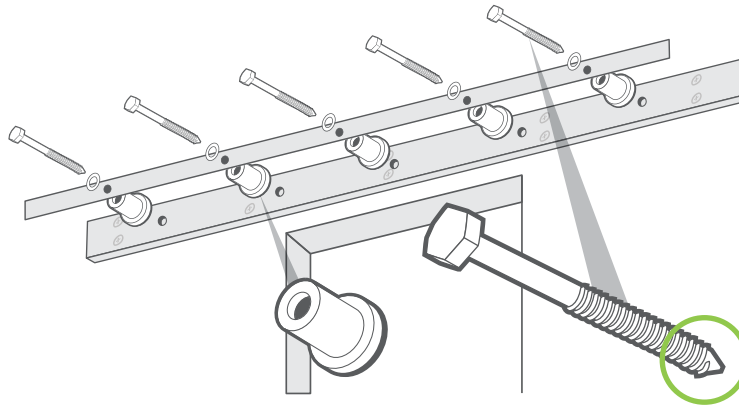
Locate and remove washers packed with concrete mounting bolts/metal anchors.

With an assistant holding track, attach spacers, track, and washers to mounting board with **5/16" lag screws** using a **1/2" wrench**.

NOTE: Washers are packed with concrete mounting bolts.



The use of wall anchors are recommended if not installing a header board.



5X
Spacer



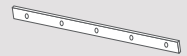
5X
5/16" Lag Screw



5X
Washer



1/2" Socket
Wrench



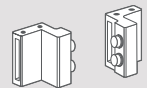
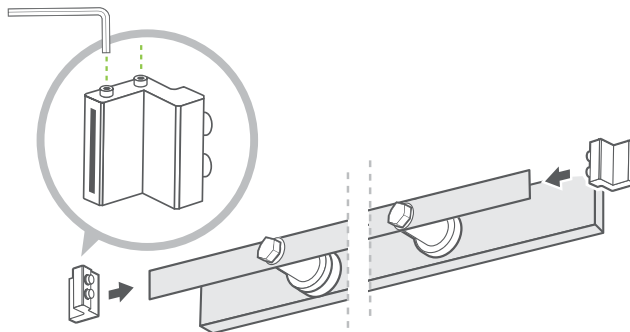
Metal Track

11 ATTACH STOPPERS TO TRACK ENDS

With **provided Allen key**, loosen stopper set screws.

Slide one stopper onto each end of track with rubber pads oriented toward the door opening, and **tighten set screws**.

Final placement of stoppers (Step 19) will be determined after installing door guide.



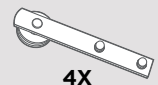
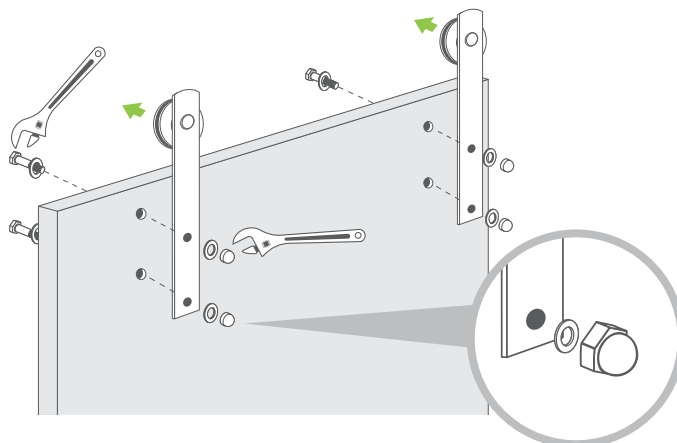
2X
Stopper



Allen Key

12 ATTACH STRAP MOUNT ROLLERS TO DOOR

Attach strap mount rollers to door with **strap mount hardware** using two **adjustable wrenches**.



4X
Strap Mount
Roller



8X
Strap Mount
Hardware



2X
Adjustable Wrench

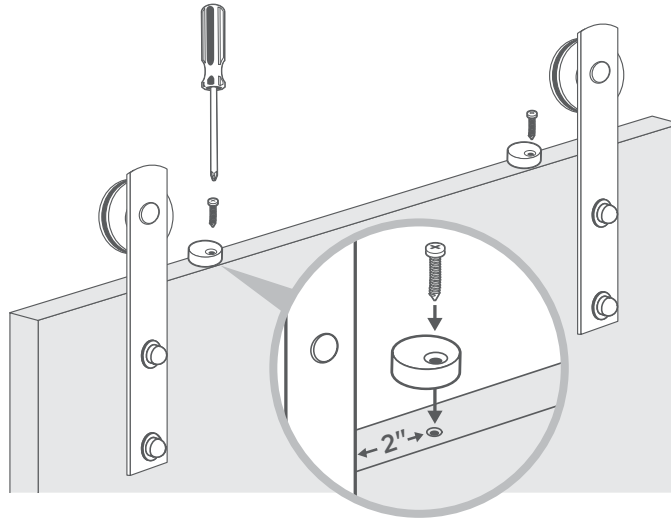
Double Barn Door Installation Guide MASONITE.

BARN DOOR HARDWARE STRAIGHT STRAP KIT

13 ATTACH ANTI-JUMP BLOCKS TO DOOR

Along the top edge of the door, about 2" in from each strap roller, orient **anti-jump blocks** with offset hole nearest front edge (strap side) of door.

Attach anti-jump blocks using a Phillips screwdriver and provided screws. Do not over tighten. Later adjustment will be needed.



Phillips
Screw Driver



4X
Anti-Jump
Blocks

14 ATTACH DOOR HANDLE

At the suggested handle position, the two upper holes will be 40" from the bottom of the door and a minimum of 1.5" from the door edge.

Position handle at desired location and mark holes onto door.

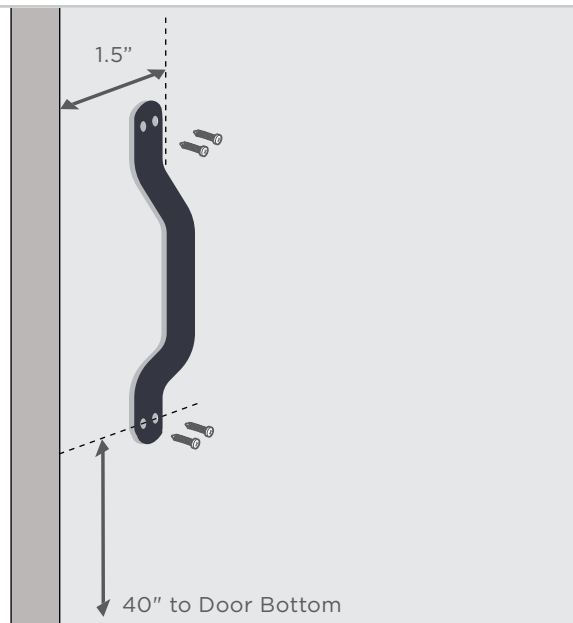
Use a **1/8" drill bit** to drill four 1" deep pilot holes.



Ensure pilot hole depth does not exceed 1" to avoid drilling through door.

Attach handle to door using a Phillips screwdriver and provided screws.

REPEAT STEPS 12-14 FOR BOTH SLABS.



Tape Measure



Pencil



2X
Handles



1/8" Bit



Cordless Drill



Phillips
Screw Driver

Double Barn Door Installation Guide



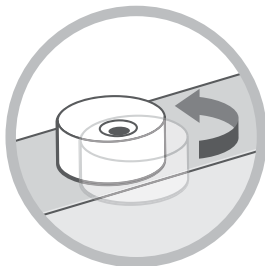
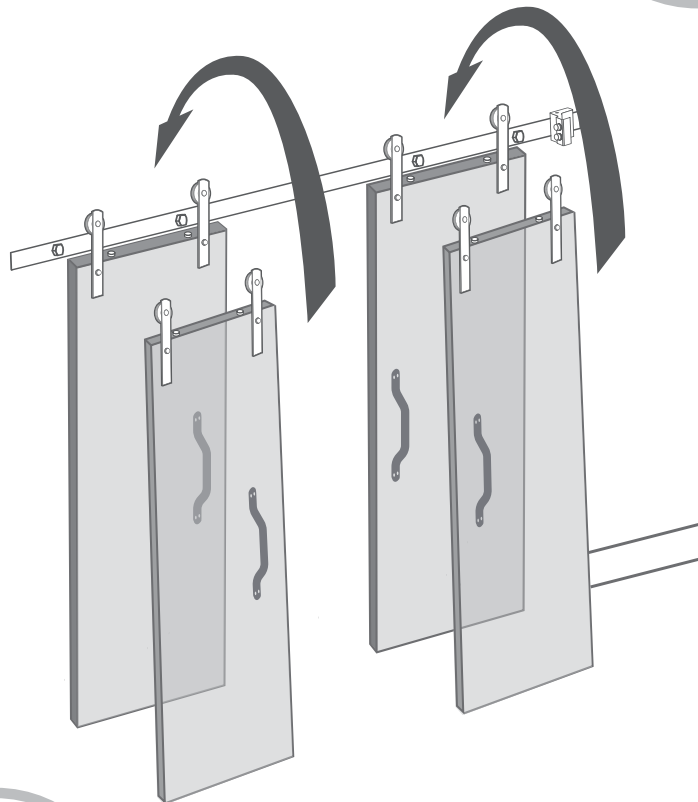
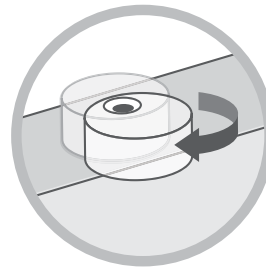
BARN DOOR HARDWARE STRAIGHT STRAP KIT

15 HANG DOOR

Before lifting door to hang, rotate the two **anti-jump blocks** on each slab to extend past the top edge of the barn door.

With an **assistant**, lift the door and position rollers onto the track.

Rotate **anti-jump blocks** into secure position, roughly centered along door edge.



Double Barn Door Installation Guide



BARN DOOR HARDWARE STRAIGHT STRAP KIT

16 CHOOSE YOUR DOOR GUIDE

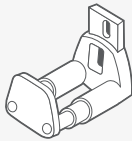
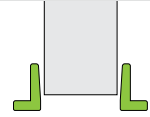
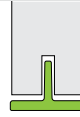
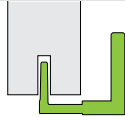
Your kit includes three styles of door guide. Choose the guide that best suits your application.

NOTE: BOTH SLABS WILL NEED FLOOR GUIDES INSTALLED.

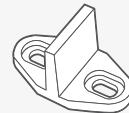
The **wall-mounted door guide** mounts directly to wall or trim and works with grooved and non-grooved doors.

Internal floor-mounted door guide is for use with a grooved door when floor mounting is preferred.

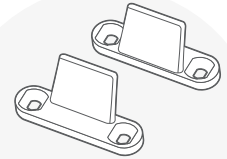
External floor-mounted door guides are for use with non-grooved door when floor mounting is preferred.



Wall-mounted door guide



Internal floor-mounted door guide



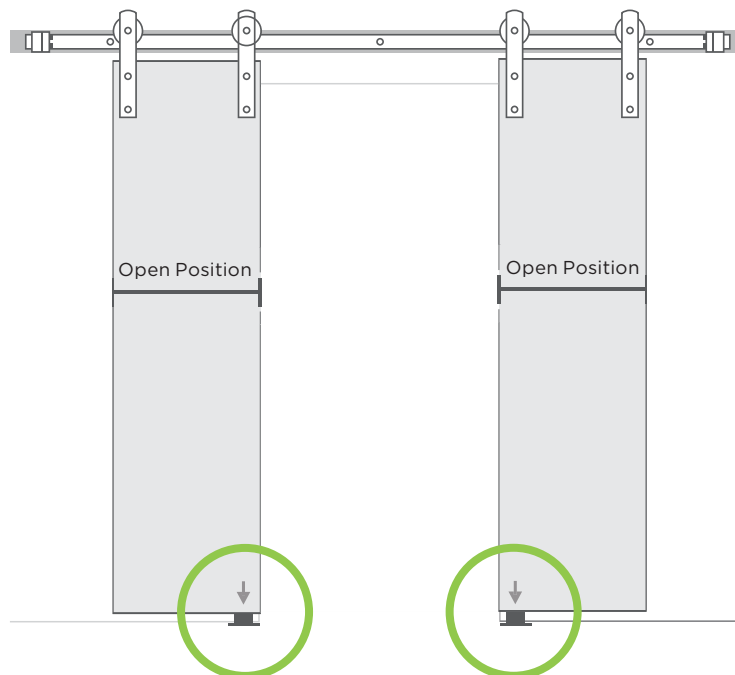
External floor-mounted door guide set

17 POSITION YOUR DOOR GUIDE

Place your door guide along the bottom edge of the door, in between your barn door's open and closed positions.

Position the door guide just outside of the door opening where it can remain in contact with the door in both open and closed positions.

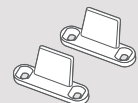
NOTE: The track's left and right stoppers will require final adjustment (Step 19) to limit door travel after installing the door guide.



2X
Wall Mounted Door Guides



2X
Internal Floor Mounted Guides



2X
External Floor Mounted Guides

Double Barn Door Installation Guide



BARN DOOR HARDWARE STRAIGHT STRAP KIT

18 INSTALL YOUR DOOR GUIDE

Choose **one style** of door guide suitable for your application.

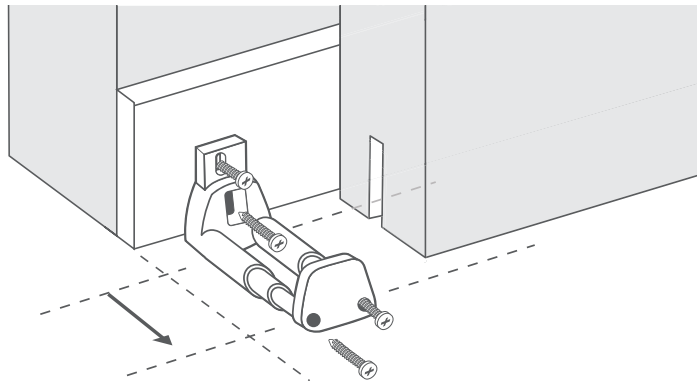
18.1. Position the **wall-mounted door guide** just outside the door opening, on wall or trim near the floor.

Extend the guide as necessary to allow door travel.

Ensure the guide remains in contact with the barn door in both open and closed positions.

Mark guide location.

Drill two 1/8" pilot holes, and attach door guide with provided screws.

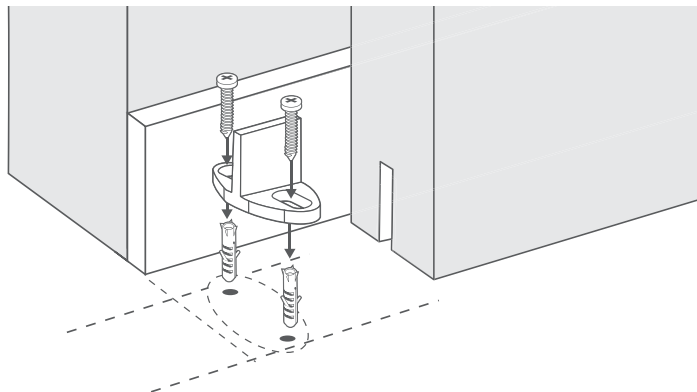


18.2. Position the **internal floor-mounted door guide** just outside the door opening, and inside the door's bottom groove.

Ensure the guide remains in contact with the barn door in both open and closed positions.

Mark guide location.

Drill two 1/8" pilot holes, and attach floor guide with supplied screws. If needed, provided anchors can be used by drilling 1/4" diameter holes.

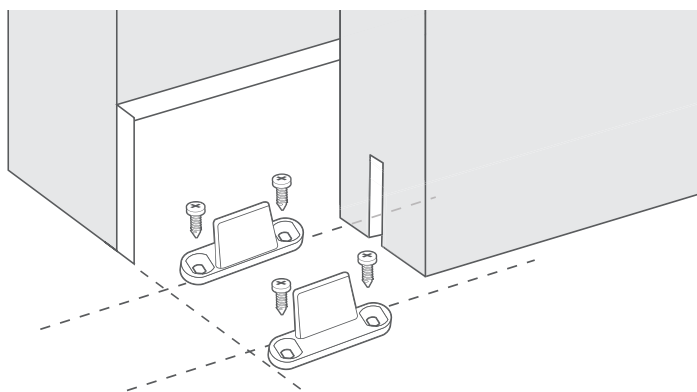


18.3. Position the **External floor-mounted door guides** on the floor just outside the door opening, along the inside and outside of the door's bottom edge.

Ensure the guides remain in contact with the barn door in both open and closed positions.

Mark guide locations.

Drill four shallow 1/8" pilot holes (1/4" deep), and attach floor guides with supplied screws. If needed, supplied anchors can be used by drilling 1/4" diameter holes.



2X
Wall Mounted
Door Guides



2X
Internal Floor
Mounted Guides



2X
External Floor
Mounted Guides



Pencil



1/8" Bit
1/4" Bit



Cordless Drill



Phillips
Screw Driver

Double Barn Door Installation Guide MASONITE.

BARN DOOR HARDWARE STRAIGHT STRAP KIT

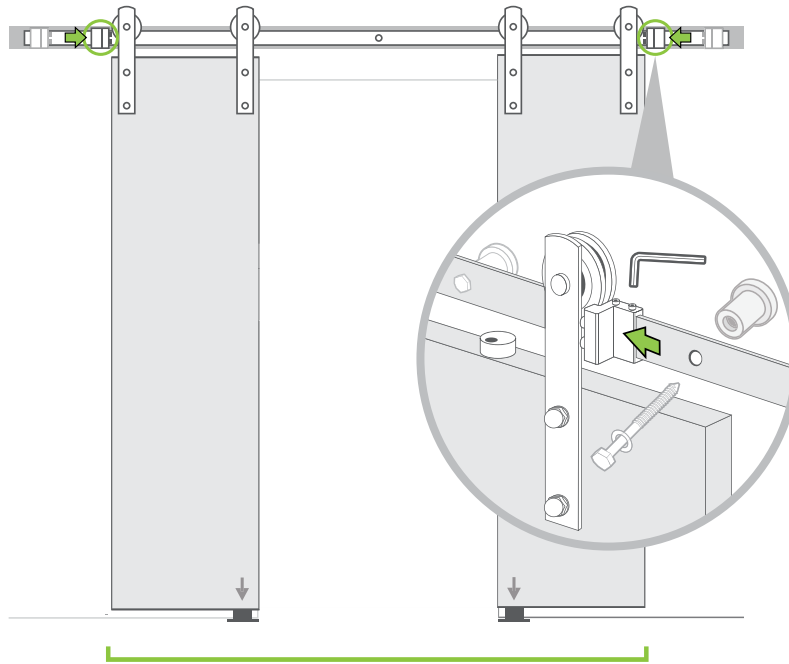
19 FINAL STOPPER ADJUSTMENT

Use the provided Allen wrench to adjust **left and right stoppers** to limit door travel. Ensure contact between door and guide at all times, in both open and closed positions.

If necessary, remove the end track mounting bolt, washer, and spacer to move stopper closer.

Slide stopper to the new location and tighten with provided allen wrench.

Reinstall track hardware.



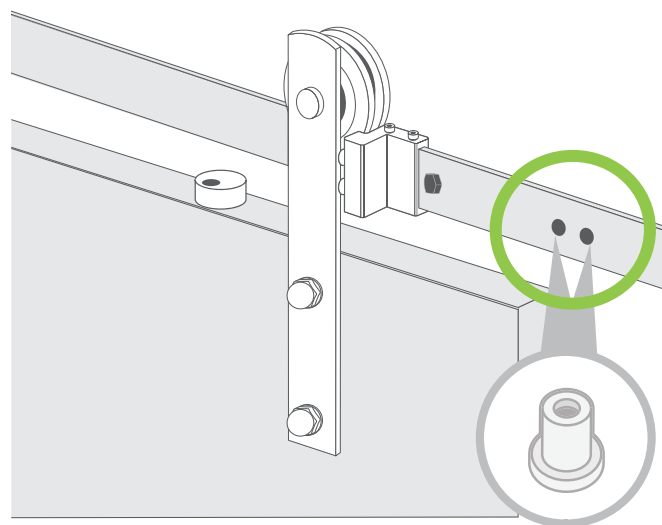
Allen Key



1/2" Socket Wrench

20 ADD TRACK PLUGS

Add small rubber track plugs at the end of the track.



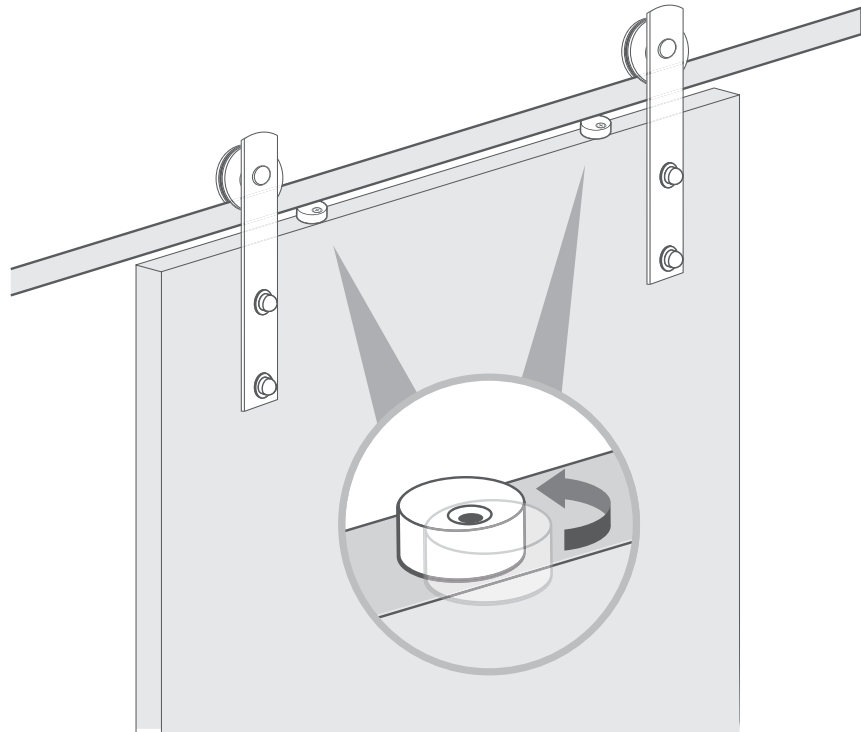
4X
Track Plug

Double Barn Door Installation Guide MASONITE.

BARN DOOR HARDWARE STRAIGHT STRAP KIT

21 FINAL SAFETY CHECK

Ensure the **anti-jump blocks** are in their secure position, centered along the top edge of the door.



NEED HELP?

For questions or to get help, contact our customer support team at **1-800-663-DOOR**.