

DESCRIPTION:

- Laundry Tub Faucet
- Rough Brass Finish

OPERATION:

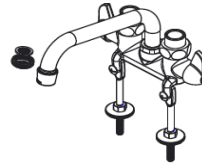
- Metal handles

FLOW:

- Flow is limited to 2.2 gpm (8.3 L/min) at 60 psi

CARTRIDGE:

- compression cartridge cartridge design



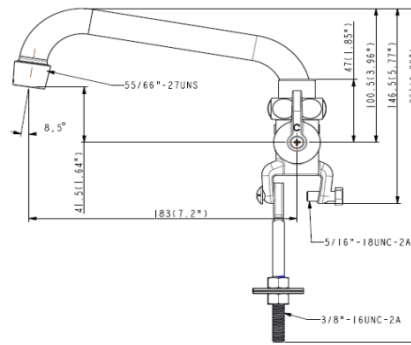
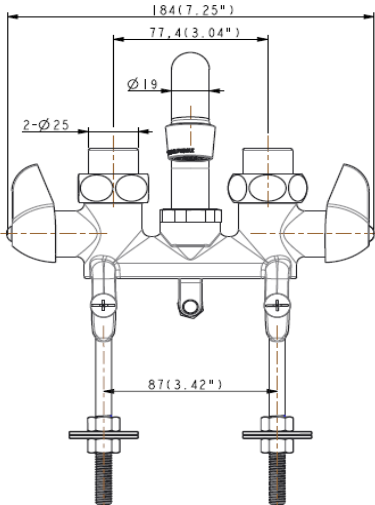
Laundry Tub Faucet
Models: 3310-255-RB-B

STANDARDS&CERTIFICATES:

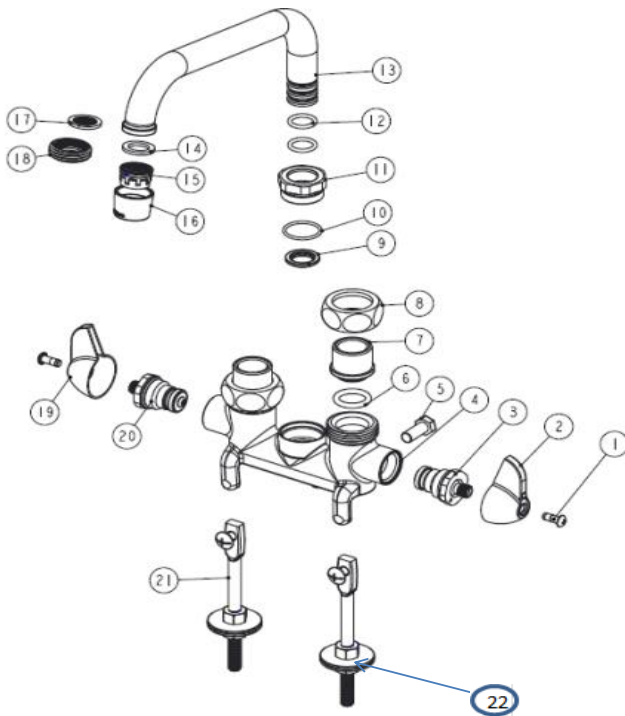
- ASME A112.18.1/CSA B-125.1 and all applicable requirements referenced therein
- cUPC

WARRANTY:

- Lifetime limited warranty against leaks, drips and finish defects to the original consumer purchaser



Homeworks product specifications in U.S. customary units and metric are approximate and are provided for reference only. For precise measurements, please contact Homeworks Technical service. Homeworks reserves the right to change or modify product design, construction, specifications, or materials without prior notice and without incurring any obligation to make such changes and modifications on Homeworks products previously or subsequently sold.



Part NO.	Des.	Material
1	Screw	S/S
2&19	Left/Right Handle	Zinc
3&20	hot/cold compression cartridge	Brass
4	Body	Brass
5	Screw	Iron
6	O-Ring	Rubber
7	Union tail piece	Brass
8	Union Nut	Brass
9	cramp ring	POM
10	O-Ring	Rubber
11	Dome	Brass
12	O-Ring	Rubber
13	Spout	S/S
14	Aerator washer	Rubber
15	Aerator	POM
16	Aerator shell	Brass
17	Screen Filter	EPDM+S/S
18	Hose Adaptor	Brass
21	Extension leg/screw	Iron
22	gasket	Iron

QTY
2
1
1
1
1
1
2
2
1
1
1
2
1
1
1
1
1
1
1
2
4

