

550 073



52 in Hugger Ceiling Fan Owner's Manual

Ventilador de 1,32 m
a Ras del Techo
Manual del Propietario



15-Year Motor Warranty

The retailer warrants the fan motor to be free from defects in workmanship and material present at time of shipment from the factory for a period of 15-Year after the date of purchase by the original purchaser. The retailer also warrants that all other fan parts, excluding any glass or acrylic blades, to be free from defects in workmanship and material at the time of shipment from the factory for a period of one year after the date of purchase by the original purchaser. We agree to correct such defects without charge or at our option replace with a comparable or superior model if the product is returned to the retailer. To obtain warranty service, you must present a copy of the receipt as proof of purchase. All costs of removing and reinstalling the product are your responsibility. Damage to any part such as by accident or misuse or improper installation or by affixing any accessories, is not covered by this warranty. Because of varying climatic conditions this warranty does not cover any changes in brass finish, including rusting, pitting, corroding, tarnishing or peeling. Brass finishes of this type give their longest useful life when protected from varying weather conditions. A certain amount of wobble is normal and should not be considered a defect. Servicing performed by unauthorized persons shall render the warranty invalid. There is no other express warranty. The retailer hereby disclaims any and all warranties, including but not limited to. Those of merchantability and fitness for a particular purpose to the extent permitted by law. The duration of any implied warranty which cannot be disclaimed is limited to the time period as specified in the express warranty. Some states do not allow limitation on how long an implied warranty lasts, so the above limitation may not apply to you. The retailer shall not be liable for incidental, consequential, or special damages arising out of or in connection with product use or performance except as may otherwise be accorded by law. Some states do not allow the exclusion of incidental or consequential damages, so the above exclusion or limitation may not apply to you. This warranty gives specific legal rights, and you may also have other rights which vary from state to state. This warranty supersedes all prior warranties. Shipping costs for any return of product as part of a claim on the warranty must be paid by the customer.

Date Purchased _____

Store Purchased _____

Model No. _____ 550-073

Serial No. _____

Vendor No. _____ 11289

UPC _____ 792145353379

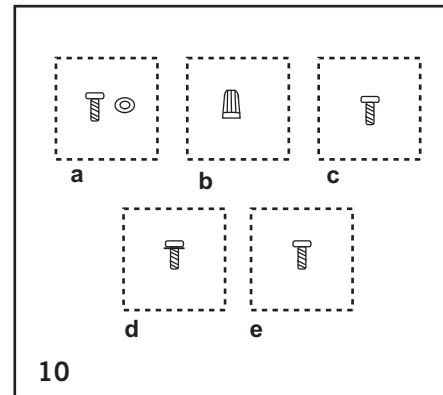
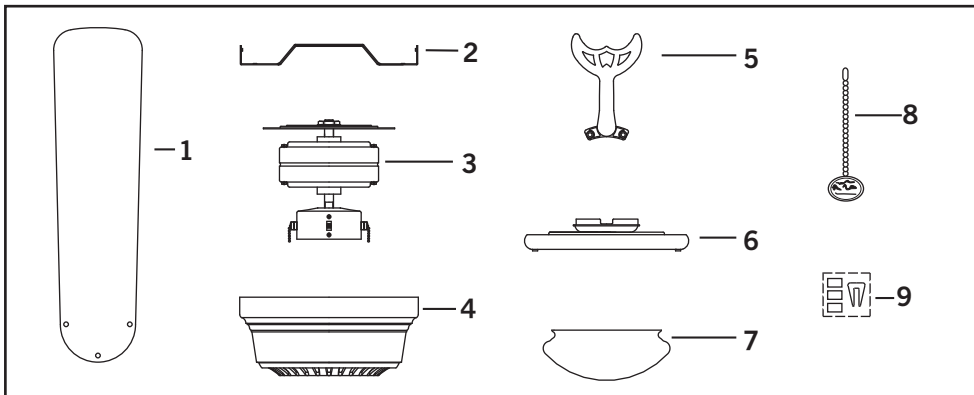
15-Year Motor Warranty

Safety Rules.....	1
Unpacking Your Fan.....	2
Installing Your Fan.....	3
Installing the Light Kit.....	8
Operating Your Fan.....	9
Care of Your Fan.....	10
Troubleshooting.....	11
Specifications.....	12

Table of Contents

1. To reduce the risk of electric shock, insure electricity has been turned off at the circuit breaker or fuse box before beginning.
 2. All wiring must be in accordance with the National Electrical Code and local electrical codes. Electrical installation should be performed by a qualified licensed electrician.
 3. **WARNING:** To reduce the risk of electrical shock and fire, do not use this fan with any solid-state fan speed control device.
 4. **WARNING:** To reduce the risk of personal injury, use only the two steel screws (and lock washers) provided with the outlet box for mounting to the outlet box. Most outlet boxes commonly used for the support of lighting fixtures are not acceptable for fan support and may need to be replaced, consult a qualified electrician if in doubt.
- WARNING**
TO REDUCE THE RISK OF FIRE, ELECTRIC SHOCK OR PERSONAL INJURY, MOUNT FAN TO OUTLET BOX MARKED ACCEPTABLE FOR FAN SUPPORT.
5. The outlet box and support structure must be securely mounted and capable of reliably supporting a minimum of 50 pounds. Use only UL Listed outlet boxes marked FOR FAN SUPPORT.
 6. The fan must be mounted with a minimum of 7 feet clearance from the trailing edge of the blades to the floor.
 7. Do not operate the reverse switch while the fan blades are in motion. The fan must be turned off and the blades stopped before reversing the blades direction.
 8. Avoid placing objects in the path of the blades.
 9. To avoid personal injury or damage to the fan and other items, be cautious when working around or cleaning the fan.
 10. Do not use water or detergents when cleaning the fan or fan blades. A dry dust cloth or lightly dampened cloth will be suitable for most cleaning.
 11. After making electrical connections, all wired connecting nuts should be turned upward and pushed carefully up into the outlet box. The wires should be spread apart so that the green and white wires are on one side of the outlet box and the black and blue wires are on the other side.
 12. Electrical diagrams are reference only. Light kit that are not packed with the fan must be UL Listed and marked suitable for use with the model fan you are installing. Switches must be UL General Use Switches. Refer to the Instructions packaged with the light kits and switches for proper assembly.
- WARNING**
TO REDUCE THE RISK OF PERSONAL INJURY, DO NOT BEND THE BLADE BRACKETS (ALSO REFERRED TO AS FLANGES) DURING ASSEMBLY OR AFTER INSTALLATION. DO NOT INSERT OBJECTS IN THE PATH OF THE BLADES.
- NOTE**
READ AND SAVE ALL INSTRUCTIONS!

1. Safety Rules



Unpack your fan and check the contents. You should have the following items:

- | | | | |
|-----------------------|------------------------|------------------------------------|---|
| 1. Fan blades (5) | 6. Light kit | 10. Loose part bag containing: | |
| 2. Mounting plate | 7. Glass shade | | a. Blade attachment hardware
(16 screws, 16 fiber washers) |
| 3. Fan motor assembly | 8. Pull chain fobs (2) | | b. Electrical hardware
(3 plastic wire connectors) |
| 4. Motor housing | 9. Balancing kit | | c. Mounting plate hardware
(4 screws) |
| 5. Blade holders (5) | | | d. Blade arm hardware
(11 screws) |
| | | e. Light kit hardware
(1 screw) | |

WARNING
DO NOT INSTALL OR USE FAN IF ANY PART IS DAMAGED OR MISSING. CALL TOLL FREE 1-877-898-1881.

NOTE
FOR NON-LIGHT USE PURPOSE, THE SWITCH BOX COVER IS AVAILABLE BY CALLING THE TOLL FREE NUMBER 1-877-898-1881.

Unpacking Your Fan 2.

Tools Required

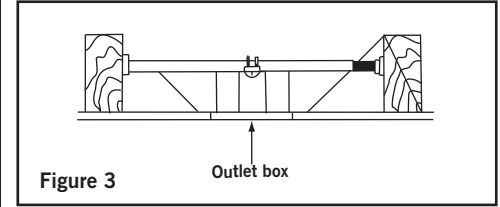
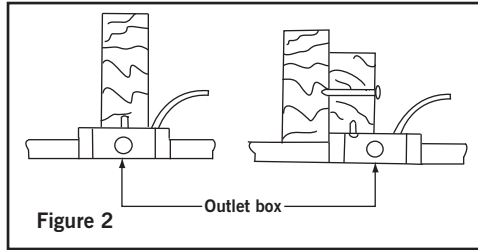
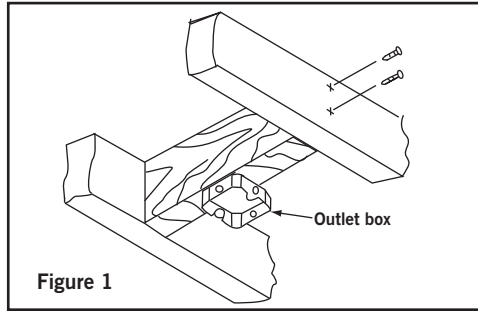
Phillips screwdriver, straight slot screwdriver, adjustable wrench, step ladder and wire cutters.

Mounting Options

If there isn't an existing UL listed mounting box, then read the following instructions. Disconnect the power by removing fuses or turning off circuit breakers.

Secure the outlet box directly to the building structure. Use appropriate fasteners and building materials. The outlet box and its support must be able to fully support the moving weight of the fan (at least 50 lbs). Do not use plastic outlet boxes.

Figures 1 and 2 are examples of different ways to mount the outlet box.



To hang your fan where there is an existing fixture but no ceiling joist, you may need an installation hanger bar as shown in Figure 3 (available at any Home Depot store).

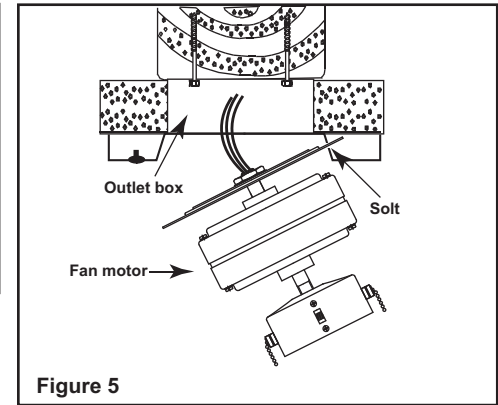
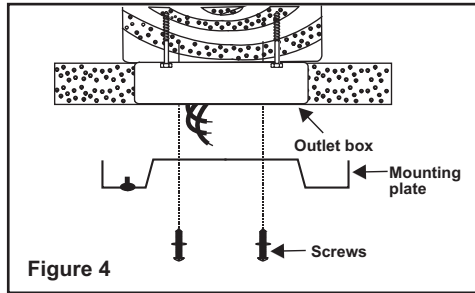
3. *Installing Your Fan*

Hanging the Fan

REMEMBER to turn off the power. Follow the steps below to hang your fan properly.

1. Attach the mounting plate to the outlet box using the two screws and washers provided with the outlet box.(Fig. 4). For best performance be sure the mounting plate is level and secured firmly against the ceiling. You may need to insert additional washers (not provided) between the outlet box and mounting plate to make it level.
2. Carefully Lift the fan motor assembly (without the blades) and insert the T section of the motor housing bracket into the slot in the mounting plate as shown in Fig. 5.

You are now ready to make the electrical connections.



Making the Electrical Connections

REMEMBER to disconnect the power. If you feel that you do not have enough electrical wiring knowledge or experience, have your fan installed by a licensed electrician.

Follow the steps below to connect the fan to your household wiring. Use the wire connecting nuts supplied with your fan. Secure the connectors with electrical tape. Make sure there are no loose strands or connections.

Step 1 Connect the fan supply (black) wire and light supply (blue) wire to the black household supply wire as shown in Figure 6.

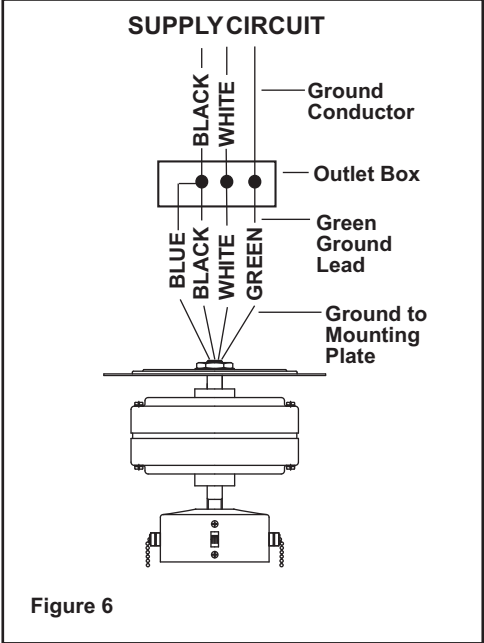
Step 2. Connect the neutral fan (white) wire to the white neutral household wire.

Step 3 Connect the two green fan ground wires, located on the mounting plate and motor, to the household ground wire.

Step 4 After connecting the wires, spread them apart so that the green and white wires are on one side of the outlet box and the black wire is on the other side.

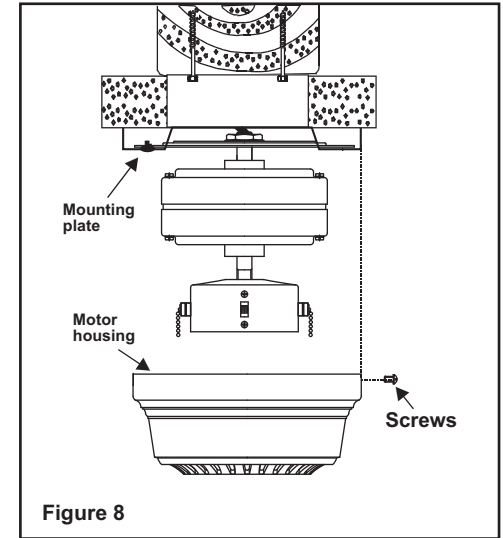
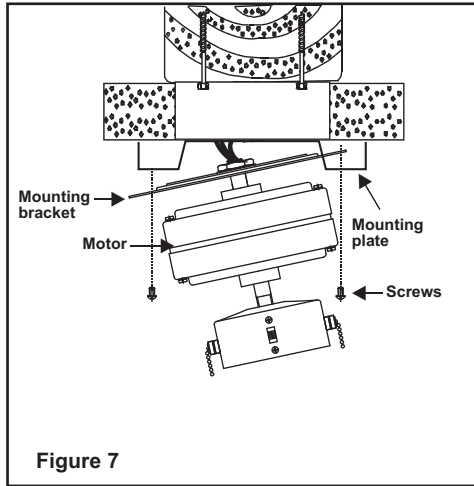
Step 5 Turn the connecting nuts upward and push the wiring into the outlet box.

WARNING
TO REDUCE THE RISK OF FIRE OR ELECTRIC SHOCK, DO NOT USE A WALL MOUNTED SOLID STATE SPEED CONTROL WITH THIS FAN. IT WILL PERMANENTLY DAMAGE THE ELECTRONIC CIRCUITRY.



Finishing the Installation

1. Swing the motor assembly up into position under the mounting plate. Secure the bracket to the plate with the screws provided. (Fig. 7)
2. Carefully lift the motor housing onto the mounting plate, properly align the holes and tighten the motor housing with the 4 screws supplied. (Fig. 8)



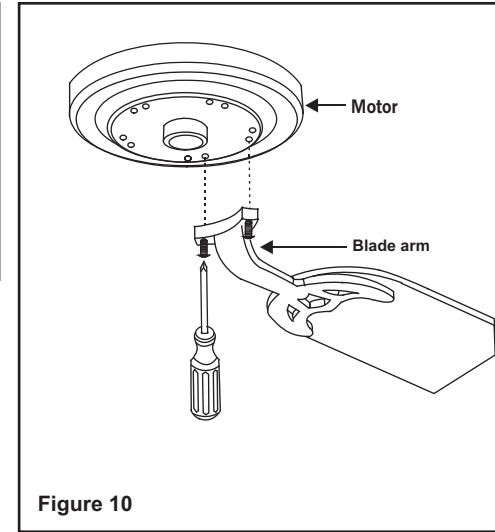
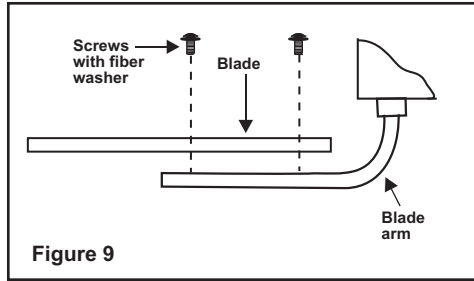
Attaching the Fan Blades

NOTE: Your fan blades are reversible. Select the blade side finish which best accentuates your decor.

Step 1 Attach the blades to the blade arms using three screws and fiber washers as shown in Fig. 9. Start a screw into the arm, do not tighten. Repeat for the 2 remaining screws and washers.

Step 2 Tighten each screw securely starting with the center screw. Make sure the blade is straight.

Step 3 Fasten the blade assemblies to the motor housing with the screws and washers already installed in the motor housing. (Fig. 10)



NOTE: Before starting installation, disconnect the power by turning off the circuit breaker or removing the fuse at fuse box. Turning power off using the fan switch is not sufficient to prevent electric shock.

1. While holding the light kit under your fan, locate two single white and blue wires in the switch housing labeled "FOR LIGHT". Make the polarized plug connections:
 - White to white
 - Blue to black
2. Carefully push all wires back into the switch housing. Attach the light kit fitter by aligning its keyhole slots with the three screw holes and the reverse switch on the side of the switch housing. Tighten the three screws securely to prevent the light kit from vibrating loose. (Fig. 11)
3. Install 1 x 60W (or CFL equivalent) Medium base bulb (not included).
4. Mount the glass shades to the light fixture by unscrewing partway the thumbscrews on the glass holders, insert the glass, then gently tighten the thumbscrews by hand evenly to the glass. Do not over tighten. (Fig. 12)
5. Insert the 2 pull chain through the eyelet in the light kit.
6. Restore power and your light kit is ready for operation.

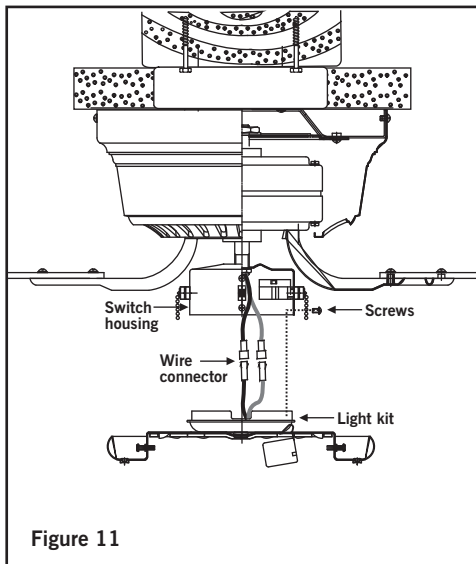


Figure 11

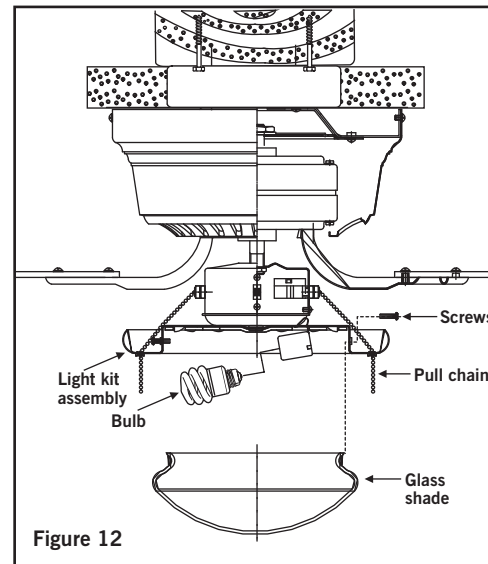


Figure 12

NOTE

FOR NON-LIGHT USE PURPOSE, THE SWITCH BOX COVER IS AVAILABLE BY CALLING THE TOLL FREE NUMBER 1-877-898-1881.

Installing the Light Kit 8.

Restore power to ceiling fan and test for proper operation.

Speed Pull Chain Operation:

This pull chain controls the fan speed as follows:

- 1-Pull = High Speed
- 2-Pulls = Medium Speed
- 3-Pulls = Low Speed
- 4-Pulls = Fan Off

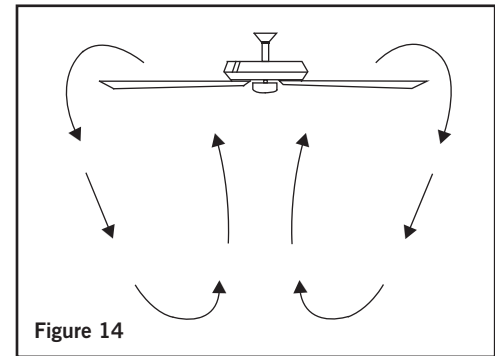
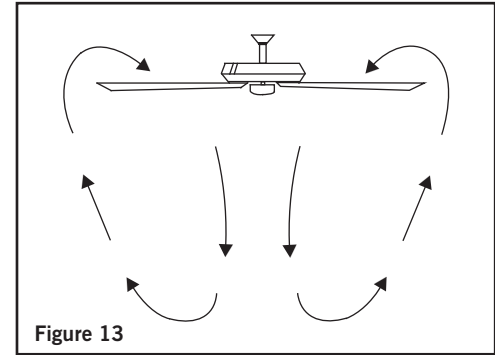
The reverse slide switch located on the side of the switch housing controls the direction of the blade rotation.

Speed settings for warm or cold weather depend on factors such as room size, ceiling height and number of fans, etc.

NOTE: Wait for the fan to stop before changing the setting of the slide switch

Warm weather- (Counter-Clockwise direction) A downward airflow creates a cooling effect.(Fig. 13) This allows you to set your air conditioner on a warmer setting without affecting your comfort.

Cool weather- (Clockwise direction) An upward airflow moves warmer air off the ceiling area.(Fig. 14) This allows you to set your heating unit on a cooler setting without affecting your comfort.



9. Operating Your Fan

Here are some suggestions to help you maintain your fan.

1. Because of the fan's natural movement, some connections may become loose. Check the support connections, brackets, and blade attachments twice a year. Make sure they are secure. (It is not necessary to remove fan from ceiling.)

2. Clean your fan periodically to help maintain its new appearance over the years. Use only a soft brush or lint-free cloth to avoid scratching the finish. The plating is sealed with a lacquer to minimize discoloration or tarnishing. Do not use water when cleaning. This could damage the motor, or the wood, or possibly cause an electrical shock.

3. You can apply a light coat of furniture polish to the wood blades for additional protection and enhanced beauty. Cover small scratches with a light application of shoe polish.

4. There is no need to oil your fan. The motor has permanently lubricated bearings.

IMPORTANT
MAKE SURE THE POWER IS OFF AT THE
ELECTRICAL PANEL BOX
BEFORE YOU ATTEMPT ANY REPAIRS.
REFER TO THE SECTION
"MAKING ELECTRICAL CONNECTIONS"

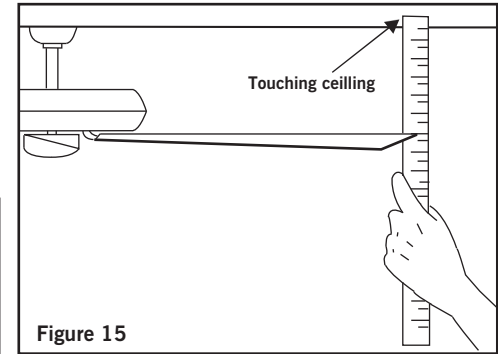


Figure 15

Care of Your Fan 10.

Problem

Solution

Fan will not start.

1. Check circuit fuses or breakers.
2. Check line wire connections to the fan and switch wire connections in the switch housing.
CAUTION: Make sure main power is off.

Fan sounds noisy.

1. Make sure all motor housing screws are snug.
2. Make sure the screws that attach the fan blade bracket to the motor hub is tight.
3. Make sure wire nut connections are not rubbing against each other or the interior wall of the switch housing.
CAUTION: Make sure main power is off.
4. Allow a 24-hour "breaking-in" period. Most noise associated with a new fan disappear during this time.
5. If using an optional light kit, make sure the screws securing the glassware are tight. Check that light bulb is also secure.
6. Some fan motors are sensitive to signals from solid-state variable speed controls. If you have installed this type of control, choose and install another type of control.
7. Make sure the upper canopy is a short distance from the ceiling. It should not touch the ceiling.

Fan wobble.

1. Check that all blade and blade arm screws are secure.
2. Most fan wobbling problems are caused when blade levels are unequal. Check this level by selecting a point on the ceiling above the tip of one of the blades. Measure this distance. (Fig. 15) Rotate the fan until the next blade is positioned for measurement. Repeat for each blade. The distance deviation should be equal within 1/8".
3. Use the enclosed Blade Balancing Kit if the blade wobble is still noticeable.
4. If the blade wobble is still noticeable, interchanging two adjacent (side by side) blades can redistribute the weight and possibly result in smoother operation.

WARNING: TO REDUCE THE RISK OF PERSONAL INJURY, DO NOT BEND THE BLADE ARM WHILE INSTALLING, BALANCING THE BLADES, OR CLEANING THE FAN. DO NOT INSERT FOREIGN OBJECTS BETWEEN ROTATING FAN BLADES.

11. Troubleshooting

Fan Size	Speed	Volts	Amps	Watts	RPM	CFM	N.W.	G.W.	C.F.
52"	Low	120	0.26	10	60	1846.73	6.22 kgs (13.72 lbs)	7.32 kgs (16.15 lbs)	1.87'
	Medium	120	0.40	29	110	3280.87			
	High	120	0.50	60	158	4669.96			

These are approximate measures. They do not include Amps and Wattage used by the light kit.

Distributed by Home Depot U.S.A., Inc
2455 Paces Ferry Rd. N.W.
Atlanta, Georgia 30339

Specifications 12.