

Banbury® Technical Specification

Pivoting Paper Holder

Y2608

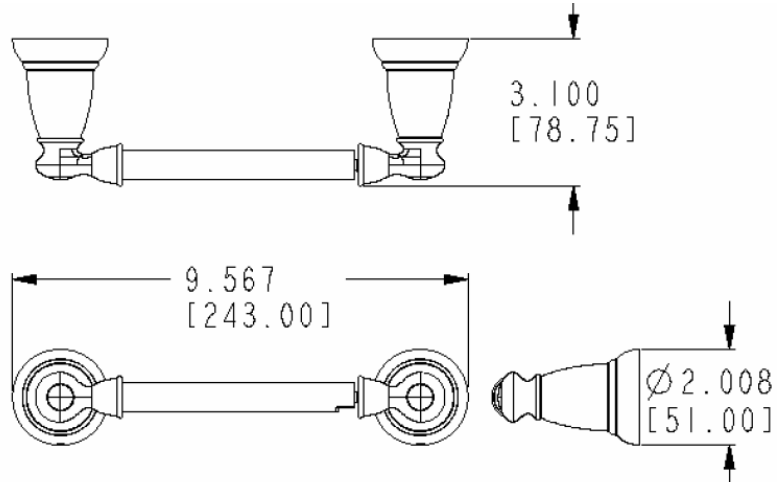
Stock Numbers:

- ❑ **Y2608BN – Pivoting Paper Holder**
Brushed Nickel Finish
- ❑ **Y2608BRB – Pivoting Paper Holder**
Mediterranean Bronze Finish
- ❑ **Y2608CH – Pivoting Paper Holder**
Chrome Finish

Materials:

Pivoting Paper Holder post is die cast from highest quality zinc alloy (Zamac). Casting is plated Chrome, Brushed Nickel or Mediterranean Bronze. The **Pivoting Paper Holder arm** is stainless steel.

Dimensions:



Installation Instructions:

1. Position the mounting template on the wall in the desired location.
2. Using a level, align the template and tape it to the wall.
3. Drill two 5/16" holes at each mounting plate location that corresponds to your product.
4. We recommend using the horizontal holes for drywall installation.
5. Remove the template from the wall.
6. Fold ends of the plastic toggle together and insert into each hole in the wall.
7. Lightly tap anchors until flush with the wall.
8. One at a time, insert plastic pin into each of the anchors and lightly tap to activate anchor.
9. Remove pin and repeat on all anchors.
10. One at a time, place each mounting plate over anchors (notch facing downward) and insert screws through plate into anchors.
11. Tighten screws.
12. Position each end post with setscrews facing down and place over both mounting plates. Tighten the setscrews.

Cleaning Instructions:

To preserve the fine finish of this product, clean only with a soft damp cloth. Dry well. Do not use commercial or abrasive cleaners.

Stock Number: _____ **Pivoting Paper Holder By Creative Specialties**



25300 AL MOEN DRIVE • NORTH OLMSTED, OH 44070
CORPORATE HEADQUARTERS: (800) 321-8809 • FAX: (800) 848-6636
INTERNATIONAL: (440) 962-2000 • FAX: (440) 962-2726
CUSTOMER SERVICE (USA): 800-882-0116 • FAX: (888) 379-2720
WWW.MOEN.COM

©Copyright Creative Specialties International

Literature # BA1441

Banbury® Technical Specification

18" & 24" Towel Bars

Y2618 & Y2624

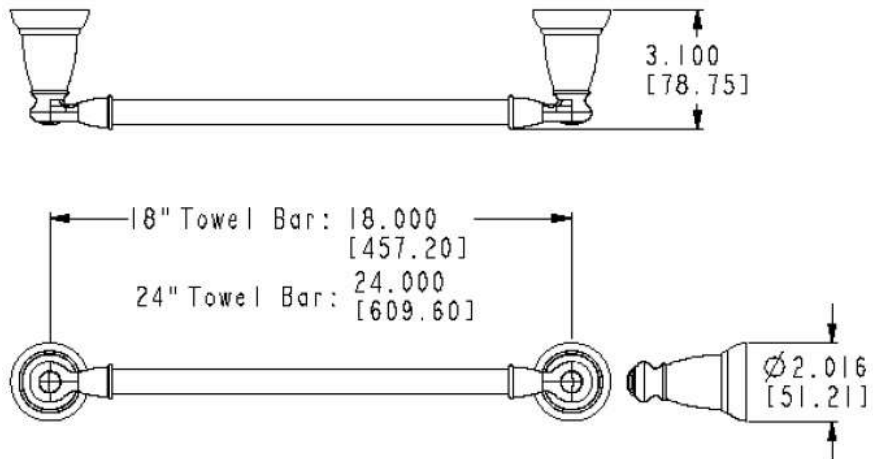
Stock Numbers:

- ❑ **Y2618BN – 18" Towel Bar**
Brushed Nickel Finish
- ❑ **Y2624BN – 24" Towel Bar**
Brushed Nickel Finish
- ❑ **Y2618BRB – 18" Towel Bar**
Mediterranean Bronze Finish
- ❑ **Y2624BRB – 24" Towel Bar**
Mediterranean Bronze Finish
- ❑ **Y2618CH – 18" Towel Bar**
Chrome Finish
- ❑ **Y2624CH – 24" Towel Bar**
Chrome Finish

Materials:

Towel Bar post is die cast from highest quality zinc alloy (Zamac). Casting is plated Chrome, Brushed Nickel or Mediterranean Bronze. **Towel Bar** is aluminum for Brushed Nickel and Chrome finishes and stainless steel for Mediterranean Bronze.

Dimensions:



Installation Instructions:

1. Position the mounting template on the wall in the desired location.
2. Using a level, align the template and tape it to the wall.
3. Drill two 5/16" holes at each mounting plate location that corresponds to your product.
4. We recommend using the horizontal holes for drywall installation.
5. Remove the template from the wall.
6. Fold ends of the plastic toggle together and insert into each hole in the wall.
7. Lightly tap anchors until flush with the wall.
8. One at a time, insert plastic pin into each of the anchors and lightly tap to activate anchor.
9. Remove pin and repeat on all anchors.
10. One at a time, place each mounting plate over anchors (notch facing downward) and insert screws through plate into anchors.
11. Tighten screws.
12. Assemble the Towel Bar and posts.
13. While assembled, position each end post with setscrews facing down and place over both mounting plates. Tighten the setscrews.

Cleaning Instructions:

To preserve the fine finish of this product, clean only with a soft damp cloth. Dry well. Do not use commercial or abrasive cleaners.

Stock Number: _____ **Towel Bar**
By Creative Specialties



25300 AL MOEN DRIVE • NORTH OLMSTED, OH 44070
CORPORATE HEADQUARTERS: (800) 321-8809 • FAX: (800) 848-6636
INTERNATIONAL: (440) 962-2000 • FAX: (440) 962-2726
CUSTOMER SERVICE (USA): 800-882-0116 • FAX: (888) 379-2720
WWW.MOEN.COM

©Copyright Creative Specialties International

Literature # BA1442

Banbury® Technical Specification

Towel Ring

Y2686

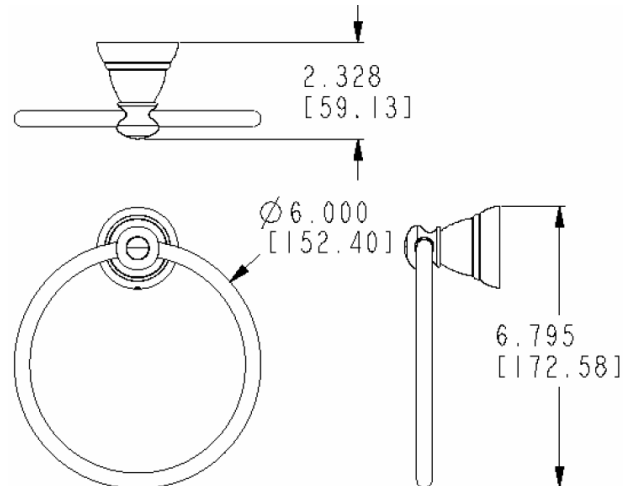
Stock Numbers:

- ❑ **Y2686BN – Towel Ring**
Brushed Nickel Finish
- ❑ **Y2686BRB – Towel Ring**
Mediterranean Bronze Finish
- ❑ **Y2686CH – Towel Ring**
Chrome Finish

Materials:

Towel Ring post is die cast from highest quality zinc alloy (Zamac). Casting is plated in Chrome, Brushed Nickel or Mediterranean Bronze. **Towel ring** is aluminum for Brushed Nickel and Chrome finishes and stainless steel for Mediterranean Bronze.

Dimensions:



Installation Instructions:

1. Remove mounting plate from hardware pack.
2. Position the mounting plate on the wall at desired location with "UP" facing you. Mark hole locations.
3. Drill two holes as marked using a 5/16" drill bit.
4. Fold ends of the plastic toggle together and insert into each hole in the wall.
5. Lightly tap anchors until flush with the wall.
6. One at a time, insert plastic pin into each anchor and lightly tap to activate anchor.
7. Place the mounting plate on the wall over the installed wall anchors with "UP" facing you.
8. Tighten screws.
9. Place decorative product over the mounting plate with setscrew facing down and tighten setscrew.

Cleaning Instructions:

To preserve the fine finish of this product, clean only with a soft damp cloth. Dry well. Do not use commercial or abrasive cleaners.

Stock Number: _____ **Towel Ring**
By Creative Specialties