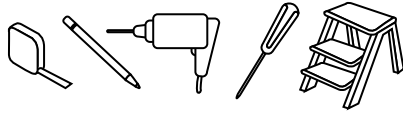


INSTALLATION INSTRUCTIONS FOR DECORATIVE TRAVERSE

MOUNTING HARDWARE KIT

- a. Finials
- b. Brackets
- c. Center Supports
- d. Cord Tension Device
- e. 1 Screws
- f. Wall Anchors

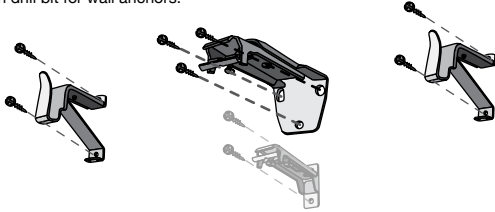
TOOLS REQUIRED



1 INSTALLATION OF BRACKETS AND CENTER SUPPORTS.

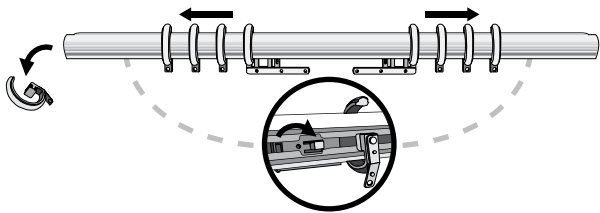
Measure carefully, using a steel tape measure. Height: Determine location where bottom of drapery will be then add 1 inch to drapery length to allow for the height of the rod and add an additional 1 inch (minimum) for floor clearance for full length drapes. Width: Ready made draperies generally require 4 inch for return to the wall on each side and 4 inch for center overlap thus a total of 12 inch must be subtracted from the actual width of the drapery panels. The instructions that come with your draperies should inform you of the actual amount allocated for the return and overlap. For a one way draw installation there is only one return and no overlap.

Mark bracket location with a pencil, and make sure brackets and center supports are level. Center supports should be evenly spaced between the outer brackets. Attach each bracket using the 1 screws. Use wall anchors when attaching to hollow drywall. Use a 3/32 inch drill bit for screws and a 1/4 inch drill bit for wall anchors.

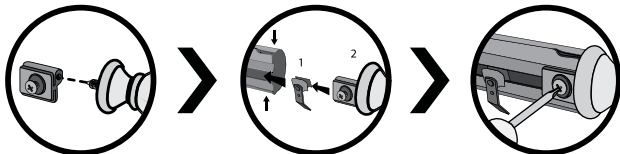


2 REMOVE EXTRA RINGS.

Count the number of ring slides needed for your draperies and then remove the extra ones. One ring is required for each pleat and one for each master carrier (2 masters for Center Draw, 1 master for one way draw). Remove ring by pressing down on ring stop and slide extra rings out.

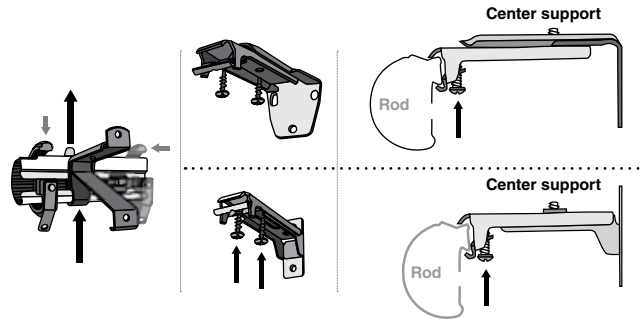


Attach finial adapter to finial as shown below. Next, insert one slider and finial adapter to the end of the rod while pressing (directions shown in arrow) on the rod. Then tighten the screw on the adapter. Do the same for the other side."



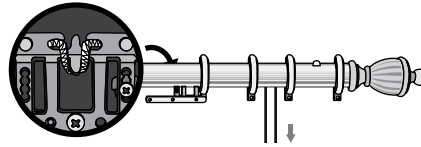
4 ATTACH ROD TO BRACKETS.

Extend the rod as necessary to set it onto the end brackets through the slots on both ends of the rod making sure there is one ring between the finial and the bracket on each side or one side for the one way draw. Attach the center support(s) to the rod as illustrated. The top of the center support bracket rests on top of the rod. Then loosen the metal clamp so that it engages the ridge on the back of the rod and then tighten it against the ridge to hold the rod firmly in place. To adjust bracket if needed, loosen the screw on the bracket slightly, then

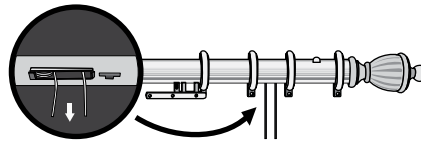


5 CENTER THE MASTER CARRIERS.

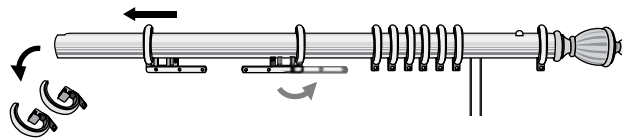
After extending the rod it is necessary to re-center the master carriers and cording system. Slide the master carriers to the opposite ends of the rod as far as they will go. Make sure there is no slack in the cord, then slip the cord under the tab on the underlap master carrier as illustrated.



a NOTE: The amount of overlap can be adjusted by unscrewing the master carrier arms and repositioning them. To reverse cord position from the right side to the left side, simply pull the cord out from the pulley on the left side of the rod. The master carriers will need to be re-centered as described above.

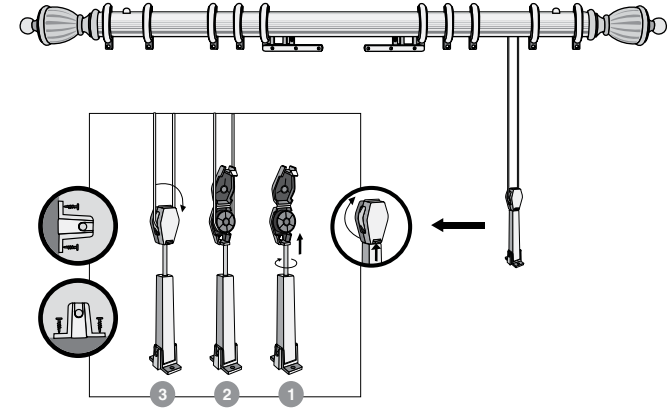


b To convert to a one way draw, remove all of the rings behind the underlap master carrier. Gently tug on the cord until it comes completely out of the underlap master then slide the master off of the rod. Unscrew and remove the arm from the underlap master- use it to replace the arm on the overlap master. The rod can draw either right to left or left to right- turn the arm to face the correct direction. Arrange all of the rings needed behind the master carrier.



6 ATTACH THE CORD TENSION DEVICE

Cord Tension Device can be attached to a wall, window sill or floor as desired using 1-1/4" screws (note that the base can be temporarily removed from the tension device to make attachment easier) Open the head of the device to expose the pulley wheel- do this by depressing the release lever and pushing inward on it. (see illustration).



a Pull the tension device out of the body of the device until the small set wings come out through the slot - turn the rod so that it is held out of the body. Put the end loop of the cord onto the pulley wheel and then close the housing. Grasp the cord behind the overlap master carrier and pull it out to eliminate the slack between the rod and the tension device-cut off the knot- retie the cord as close to the master carrier as possible- cut off excess cord. Rotate the pulley head until the cords are in proper alignment and let the rod retract into the body to put tension on the cord.

7 HANG THE DRAPERIES

Start at the master carrier on each side. Reverse the first pin on the overlap master(attach the hook of the pin from behind the carrier arm- see illustration)then attach each pleat to a ring arm. The ends of the drapery (not the pleat) can be pinned to the end bracket on each side of the rod to create a "return" to the wall. See illustration.

