



Item # 1001 513 026/  
1001 488 135  
Model # G7200S-US

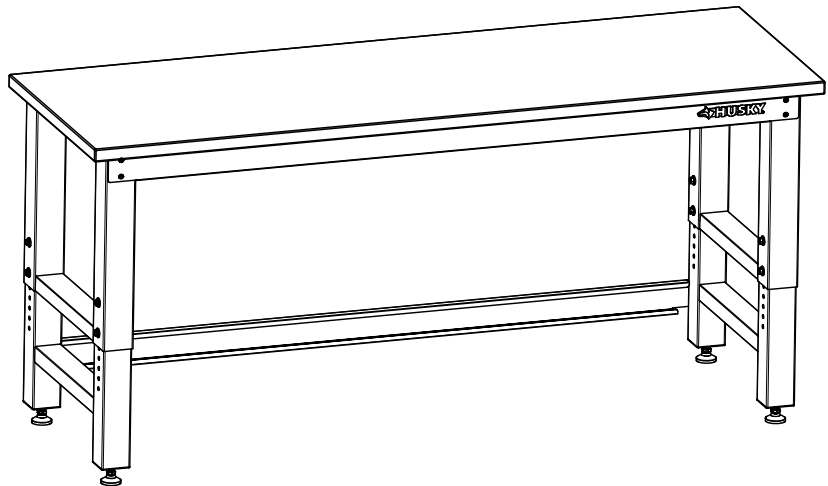
## USE AND CARE GUIDE

### 72 IN. WORKBENCH

Questions, problems, missing parts?  
Before returning to the store, call  
Husky Customer Service  
8 a.m. - 5 p.m., EST, Monday - Friday

1-888-HD-HUSKY

[WWW.HUSKYTOOLS.COM](http://WWW.HUSKYTOOLS.COM)



Due to continuing improvements,  
the actual product may differ slightly  
from the product described herein.

---

#### THANK YOU

*We appreciate the trust and confidence you have placed in Husky through the purchase of this workbench. We strive to continually create quality products designed to enhance your home. Visit us online to see our full line of products available for your home improvement needs. Thank you for choosing Husky!*


# Table of Contents


Table of Contents .....	2	Assembly .....	5
Safety Information .....	2	Maintenance .....	7
Warranty .....	2	Care and Cleaning .....	7
Specifications .....	2	Service Parts .....	8
Pre-Installation .....	3		

# Safety Information


To reduce the risk of serious injury, read and follow the safety instructions below before assembling and using this product.


- This product is intended for indoor use only.
- This product is not designed for commercial nor industrial usage.


 DO NOT alter this product in any manner. For example, do not weld external bar locks or attach electrical equipment. This may cause product damage or personal injury.

 Check all nuts and bolts periodically for tightness. When required, tighten them.

 DO NOT leave children unattended near this product.

 Keep the product on level surfaces. The product could become unstable and it may tip over if stored or moved on an uneven surface, which may cause personal injury, death or product damage.

 Any assembly or maintenance of the product must be carried out by adults only.

 Use at least two people to move, assemble or install this cabinet. Failure to do so can result in personal injury or product damage.

 DO NOT stand on the product and do not use it as scaffold.

# Warranty

1 year Limited Warranty for Solid Wood top. This warranty excludes incidental/inconsequential damages and failures due to misuse, abuse or normal wear and tear.

This full warranty gives you specific rights, and you may also have other rights, which vary state to state.

Contact the customer service team at 1-888-HD-HUSKY or visit [www.huskytools.com](http://www.huskytools.com).

# Specifications

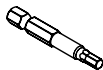
Maximum load	3000 lbs. / 1360.5 kg
--------------	-----------------------

# Pre-Installation

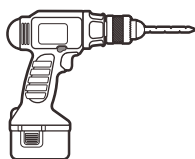
## TOOLS REQUIRED



Hex Wrench  
(Hex Key)



Hex Screwdriver Bit



Drill  
(not included)



Open End Wrench (14 mm)  
(not included)

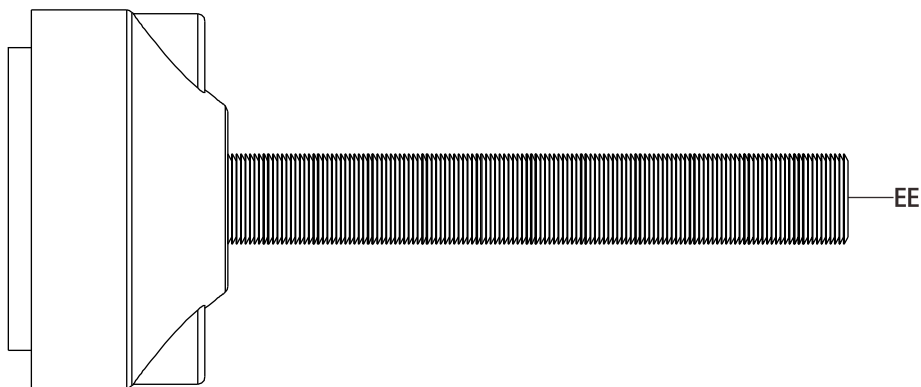
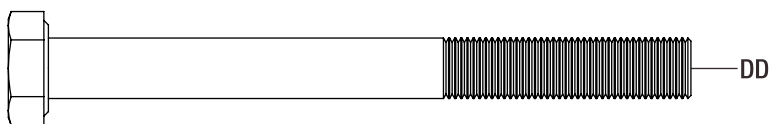
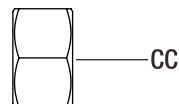
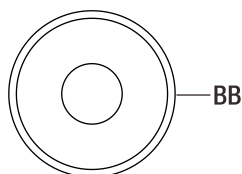
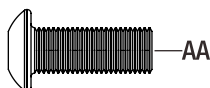


Gloves  
(not included)

## HARDWARE INCLUDED



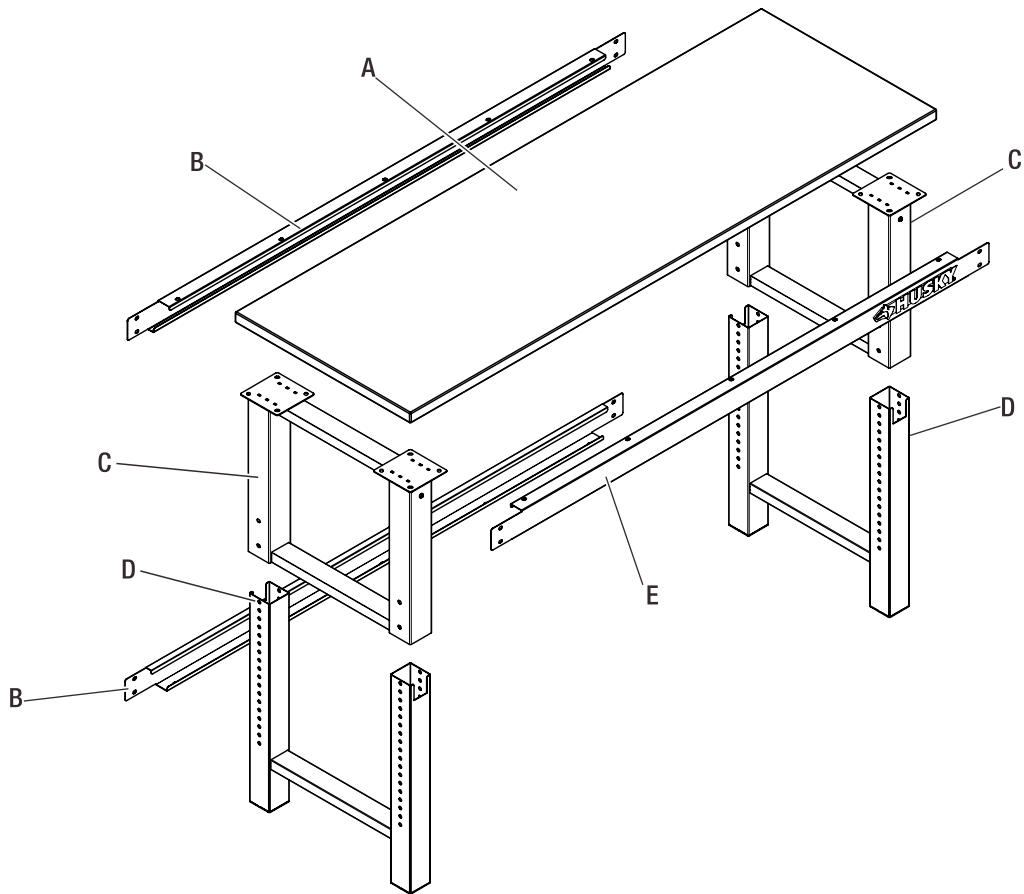
NOTE: Hardware shown to actual size.



Part	Description	Quantity
AA	M6 x 16 hex socket head screw	38
BB	Washer	16
CC	M8 hex nut	8
DD	M8 x 85 hex bolt	8
EE	Adjustable foot	4

# Pre-Installation (continued)

## PACKAGE CONTENTS



Part	Description	Quantity
A	Solid wood top	1
B	Back stiffener	2
C	Upper supporting frame	2
D	Bottom supporting frame	2
E	Front stiffener	1

# Assembly



**NOTE:** Assemble on a flat surface. A piece of cardboard is recommended to keep the product from being scratched during assembly.



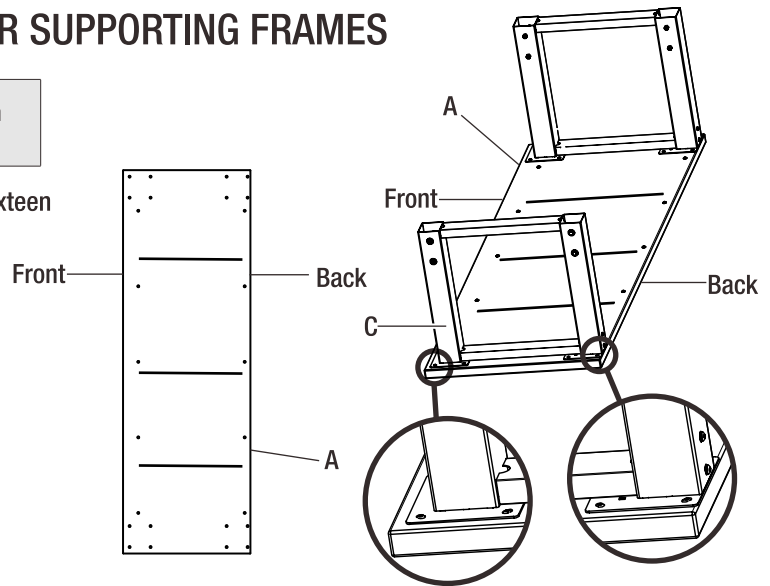
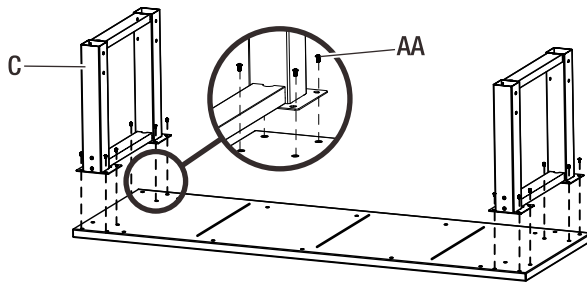
Please wear gloves during the whole assembling process.

## 1 ATTACH THE SOLID WOOD TOP AND UPPER SUPPORTING FRAMES



After assembly, the back of the upper supporting frames are flush with the solid wood top's back.

Attach the upper supporting frames (C) to the solid wood top (A) with sixteen M6 x 16 hex socket head screws (AA). Tighten securely.



## 2 ATTACH THE BOTTOM SUPPORTING FRAMES



Two open end wrenches (14 mm) are recommended. One to screw the bolt, and another one to hold the nut while screwing the bolt.



The back of the bottom supporting frame has two holes in it. The back of the bottom supporting frame should be fixed to the back of the upper supporting frame.



The left and right supporting frames should be at the same height after installation.

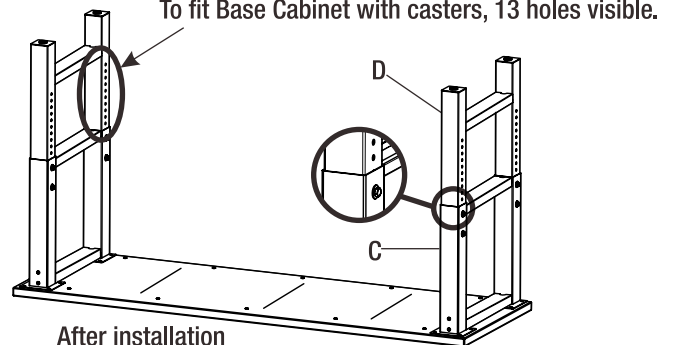
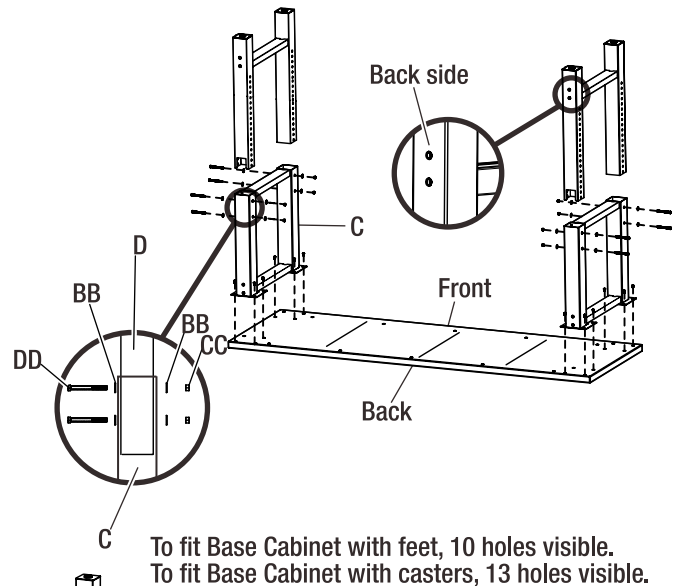


Husky 28" Base Cabinets with feet can be put under the Workbench. The Workbench should be at a height where at least 10 holes in each bottom supporting frame post visible.



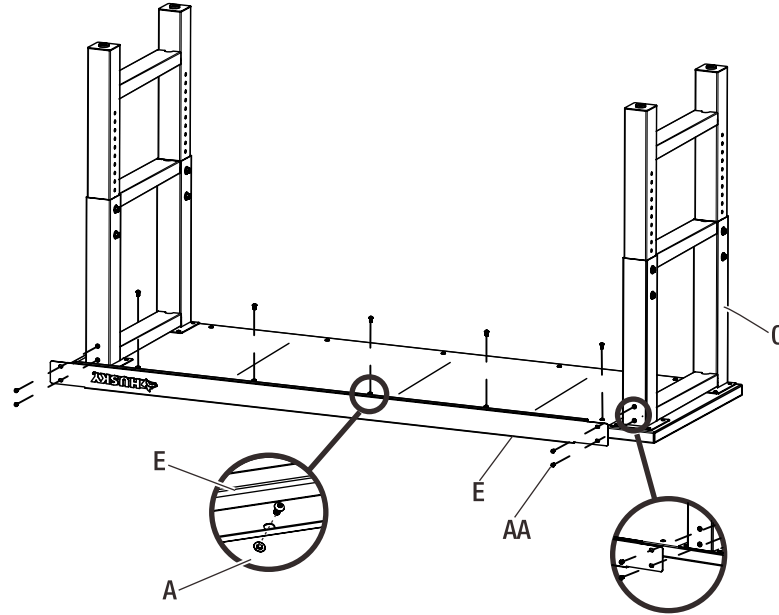
Husky 28" Base Cabinets with casters can be put under the Workbench. The Workbench should be at a height where 13 holes in each bottom supporting frame post visible.

- Insert the bottom supporting frames (D) into the square holes of the upper supporting frames (C).
- Adjust the height of the bottom supporting frames (D) to a desired height. Adjust from 28.3 in. to 42.1 in. in 1 in. increments.
- Attach the upper and bottom supporting frames (C & D) together with eight M8 x 85 hex bolts (DD) and washers (BB) in the holes of the supporting frames (C & D). Insert a washer (BB) and a M8 hex nut (CC) onto the end of each M8 x 85 hex bolt (DD). Tighten securely.



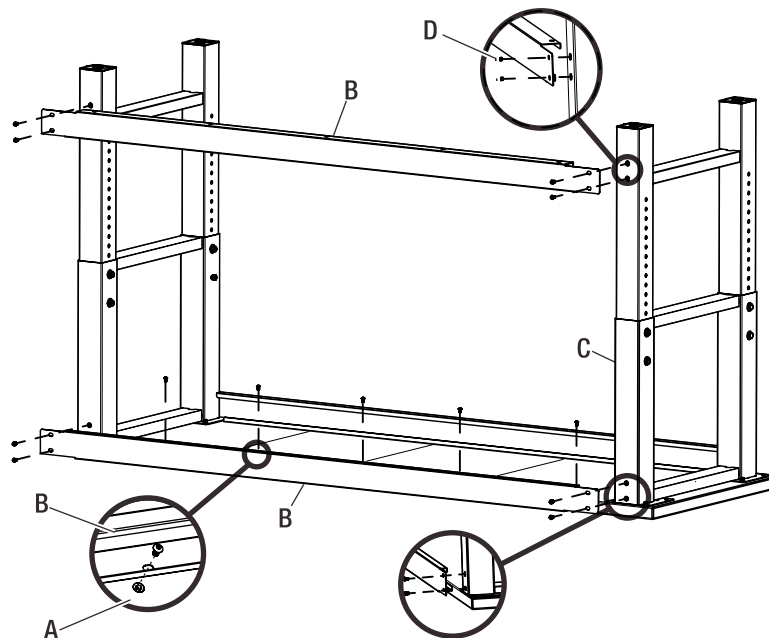
### 3 ATTACH THE FRONT STIFFENER

Attach the front stiffener (E) to the front top of the workbench with nine M6 x 16 hex socket head screws (AA). Tighten securely.



### 4 ATTACH THE BACK STIFFENERS

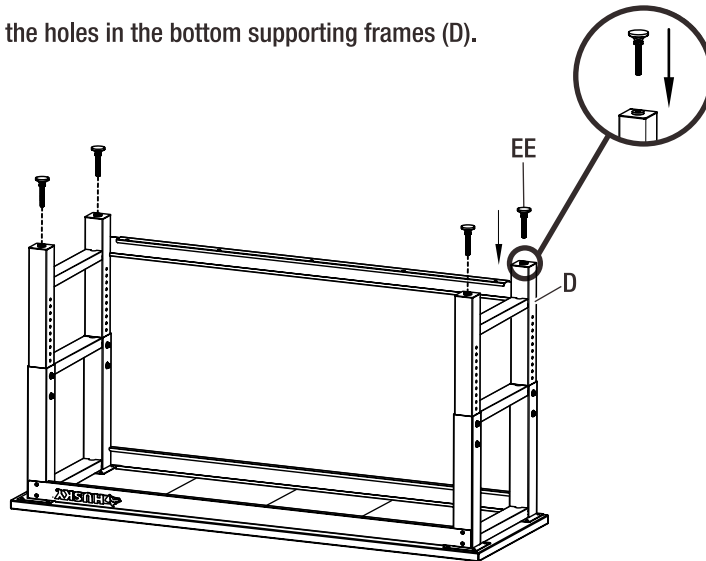
Attach the back stiffeners (B) to the back of the workbench with thirteen M6 x 16 hex socket head screws (AA). Tighten securely.



## Assembly (continued)

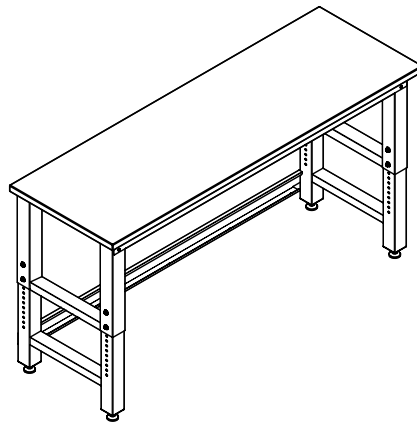
### 5 INSTALL THE ADJUSTABLE FEET

Screw the adjustable feet (EE) into the holes in the bottom supporting frames (D).



### 6 STAND UP THE WORKBENCH

Stand up the workbench and place it on the desired level floor. Adjust the feet if necessary to make the workbench stable.



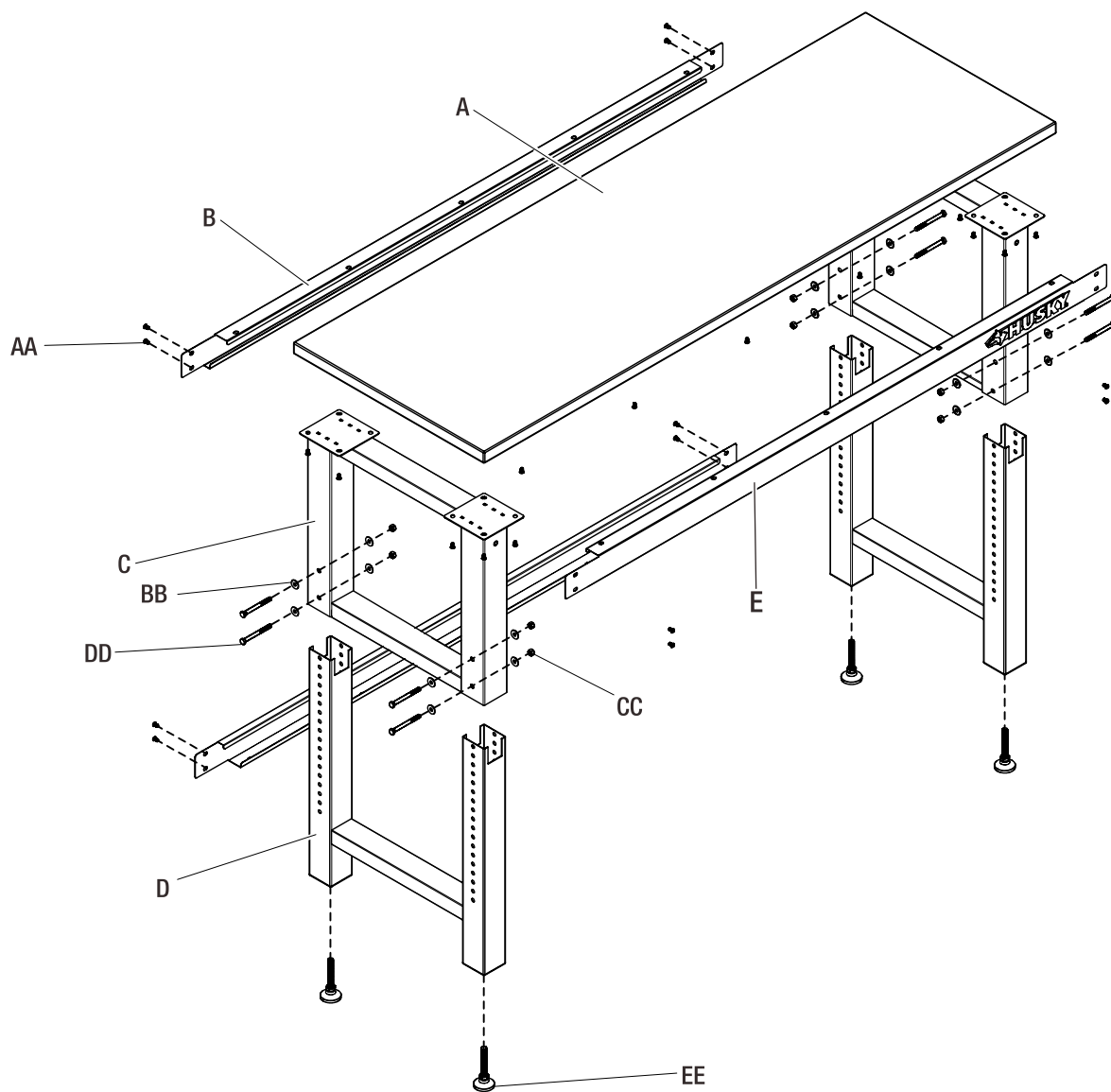
## Maintenance

Check all nuts and bolts periodically for tightness. When required tighten them.

## Care and Cleaning

- Periodically clean the workbench surfaces with a soft rag and water.
- Grease and oil can be removed with most standard cleaning fluids. For safety, use a nonflammable cleaning fluid.

# Service Parts



Part	Replacement Part #	Description	Quantity
A	571210	Solid wood top	1
B	226689	Back stiffener	2
C	113485	Upper supporting frame	2
D	114029	Bottom supporting frame	2
E	226689-N01	Front stiffener	1

Part	Replacement Part #	Description	Quantity
AA	320327	M6 x 16 hex socket head screw	38
BB	324002	Washer	16
CC	323074	M8 hex nut	8
DD	321212	M8 x 85 hex bolt	8
EE	313068	Adjustable foot	4





Questions, problems, missing parts? Before returning to the store,  
call Husky Customer Service  
8 a.m.-5 p.m., EST, Monday-Friday

**1-888-HD-HUSKY**

**[WWW.HUSKYTOOLS.COM](http://WWW.HUSKYTOOLS.COM)**

Retain this manual for future use.