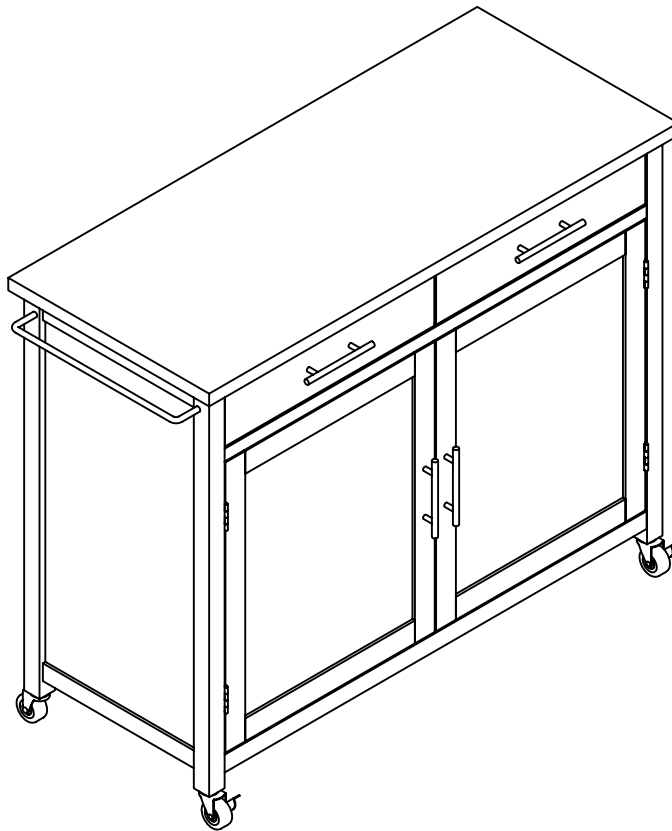


GLENVILLE

Item # 1002945991
Model #SK17787Cr2-EBW
Item # 1002945993
Model #SK17787Cr2-EBB
Item # 1002945989
Model #SK17787Cr2-EBG

USE AND CARE GUIDE

KITCHEN CART



EASY STEP-BY-STEP
3D INTERACTIVE INSTRUCTIONS
FOR THIS PRODUCT CAN BE FOUND IN

BILT.[®]

DOWNLOAD THE FREE APP



**Questions, problems, missing parts? Before returning
to the store, call Home Depot
Customer Service 1-800-466-3337
8 a.m. – 7 p.m., EST, Monday – Friday, 9 a.m. – 6 p.m., EST, Saturday**

HOMEDEPOT.COM

THANK YOU

We appreciate the trust and confidence you have placed in Home Depot through the purchase of this KITCHEN CART. We strive to continually create quality products designed to enhance your home. Visit us online to see our full line of products available for your home improvement needs. Thank you for choosing Home Decorators Collection!

Table of Contents

Table of Contents.....	2	Tools required.....	3
Safety Information.....	2	Hardware Included	3
Warranty.....	2	Package Contents.....	4
What is Covered	2	Installation	5
What is Not Covered.....	2	Operation.....	6
Pre-installation	3		
Planning Installation	3		

Safety Information

DANGER

- Keep small parts away from children during assembly
- Read and follow instructions carefully

WARNING

- Product not intended for use by children under 12.
- Do not exceed 20 pounds per drawer
- Do not exceed Unit maximum load of 50 pounds
- Do not step, stand, or climb on unit
- Always lock castors when unit is stationary
- Add child safety devices if small children live or frequently visit your home
- Open only one drawer or compartment at a time

CAUTION

- Place heavy objects on the lowest shelf.
- Push mobile units in long direct.
- Inspect castors regularly, if damaged or severely worn, replace castors.
- Units filled with more weight are harder to move and control.
- Electrical items cords should be removed from outlets and secured before moving your cart.
- Use caution when moving over surfaces with bumps, example, transitioning between different flooring surfaces.

Warranty

1 YEAR WARRANTY

WHAT IS COVERED

We warrant the Kitchen Cart to be free of manufacturing defects to the original purchaser for one year.

WHAT IS NOT COVERED

It remains the customer's responsibility for freight and packaging charges to and from our service center. This warranty does not cover commercial use, hardware, acts of nature, fire, freezing and abusive use. In addition, purchased parts are not covered under this warranty. We reserve the right to make substitutions with similar merchandise, if the model in question is no longer in production.

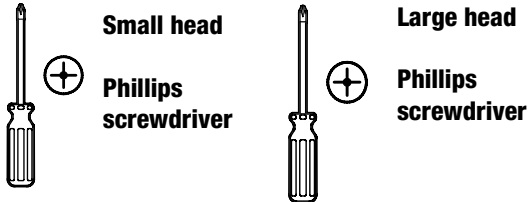
Contact the Customer Service Team at 1-800-466-3337 or visit www.HomeDepot.com.

Pre-installation

PLANNING INSTALLATION

Keep children and pets away from build area, make sure your area is large enough to unpack, sort and assemble the unit.

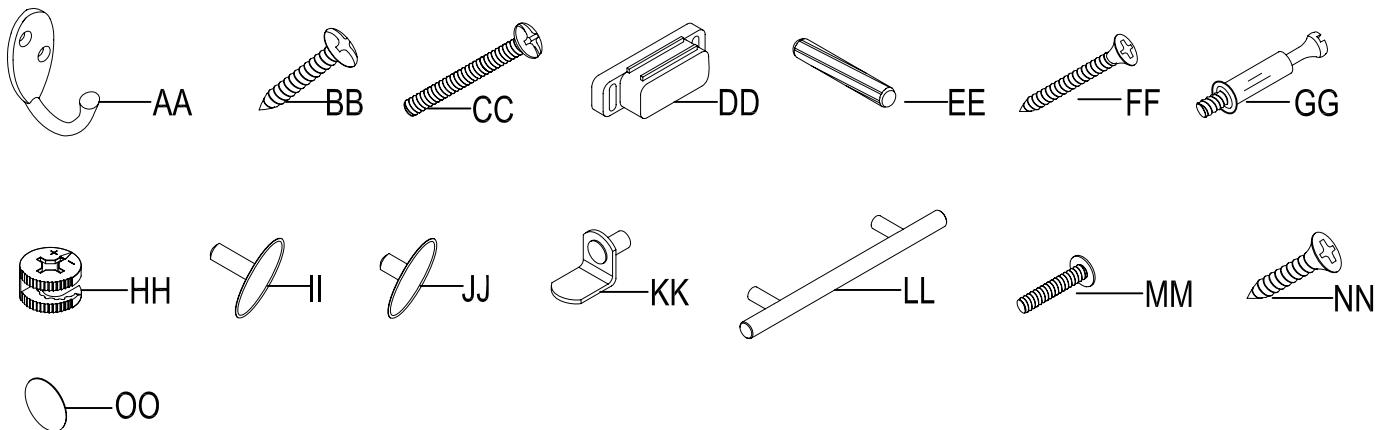
TOOLS REQUIRED



HARDWARE INCLUDED



NOTE: Hardware not shown to actual size.

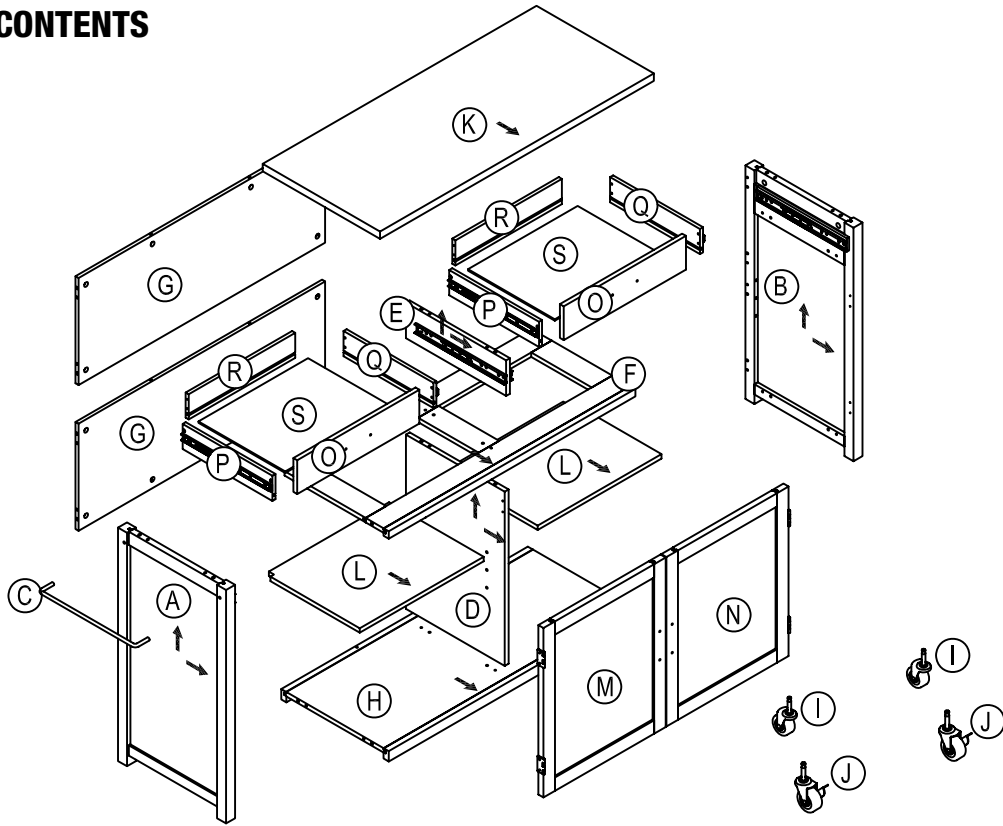


Part	Description	Quantity
AA	Single hook	2
BB	5/8 in. Round head screw	8
CC	1-1/2 in. Bolt	2
DD	Magnet	2
EE	Wood dowel	30
FF	1 in. Flat head screw	18
GG	Cam lock bolt	30
HH	Cam lock	30

Part	Description	Quantity
II	Long plastic cover	4
JJ	Short plastic cover	8
KK	Shelf support	8
LL	Handle	4
MM	Handle bolt	8
NN	1/2 in. Flat head screw	8
OO	PVC sticker	2

Pre-installation (continued)

PACKAGE CONTENTS

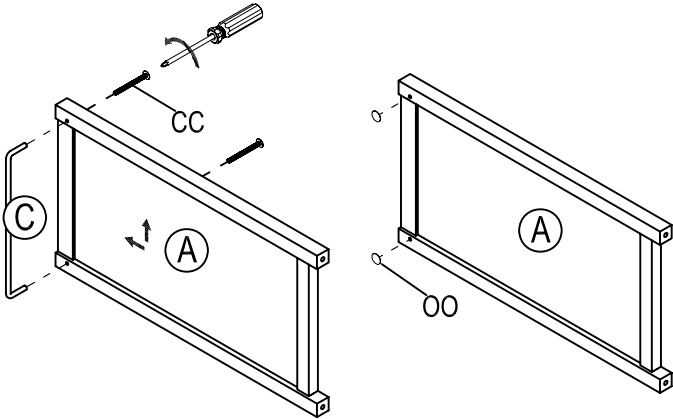


Part	Description	Quantity
A	Left side frame	1
B	Right side frame	1
C	Metal towel bar	1
D	Bottom partition	1
E	Top partition	1
F	Fixed panel	1
G	Back panel	2
H	Bottom panel	1
I	Universal wheel	2
J	Universal wheel with brake	2
K	Top panel	1
L	Adjustable shelf	2
M	Left door	1
N	Right door	1
O	Drawer front panel	2
P	Drawer left side panel	2
Q	Drawer right side panel	2
R	Drawer back panel	2
S	Drawer bottom panel	2

Installation

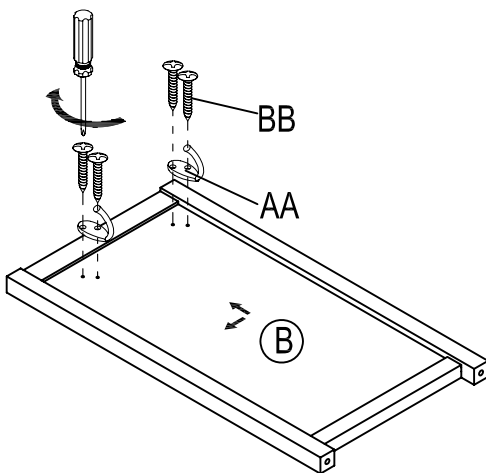
1 Attaching the metal towel bar and hook

- a) Attach bar (C) to frame (A) with bolt (CC).



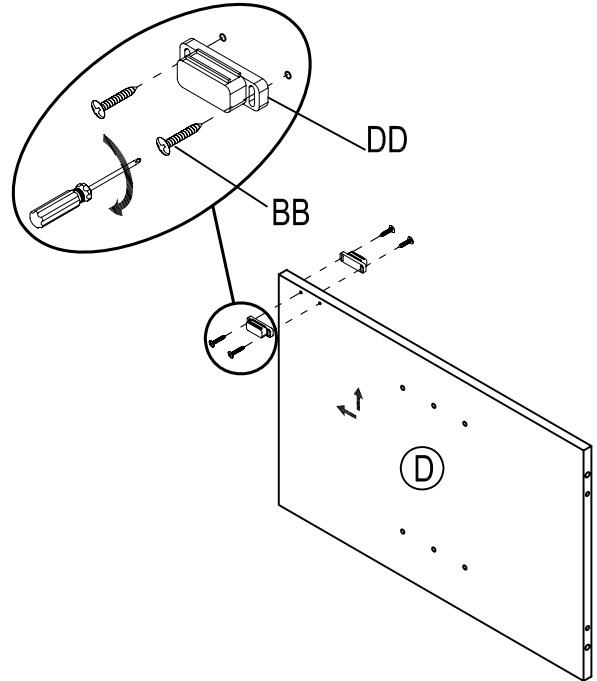
If you choose not to have the function of the towel bar, please use the **PVC sticker(OO)** provided in hardware pack to cover the hole.

- b) Attach hook (AA) to frame (B) with screw (BB) as shown.

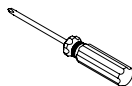


2 Attaching the magnet

- Attach two magnets (DD) to partition (D) with screw (BB) as shown.



Single hook (AA) x 2 5/8 in. Round head screw (BB) x 4 1-1/2 in. Bolt (CC) x 2 PVC sticker (OO) x 2 Small head



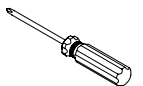
5/8 in. Round head screw (BB) x 4



Magnet (DD) x 2



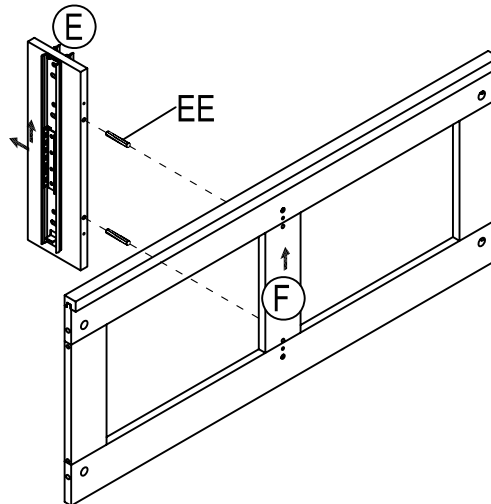
Small head



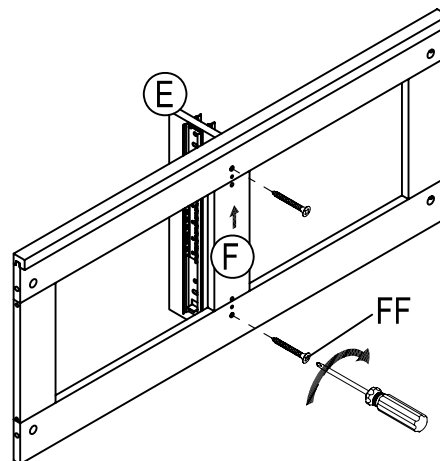
Operation

3 Attaching the top partition to fixed panel

- a) Join partition (E) to panel (F) with dowel (EE) first.



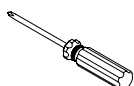
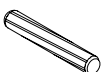
- b) Tighten panel (F) with screw (FF) as shown.



Wood dowel 1 in. Flat head screw Small head

(EE) x2

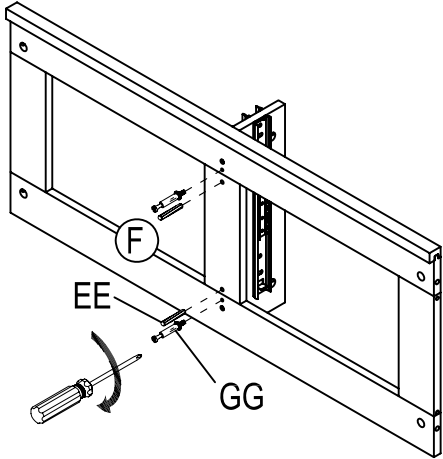
(FF) x 2



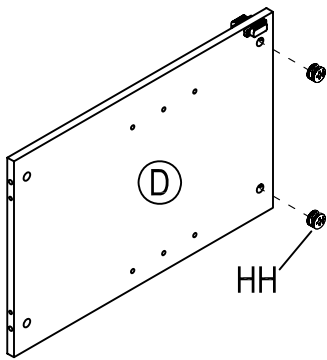
Operation

4 Attaching the bottom partition to fixed panel

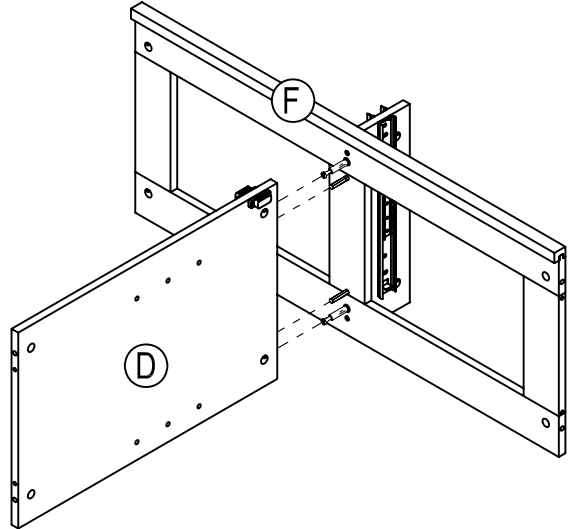
- **a) Install bolt (GG) and dowel (EE) into panel (F).**



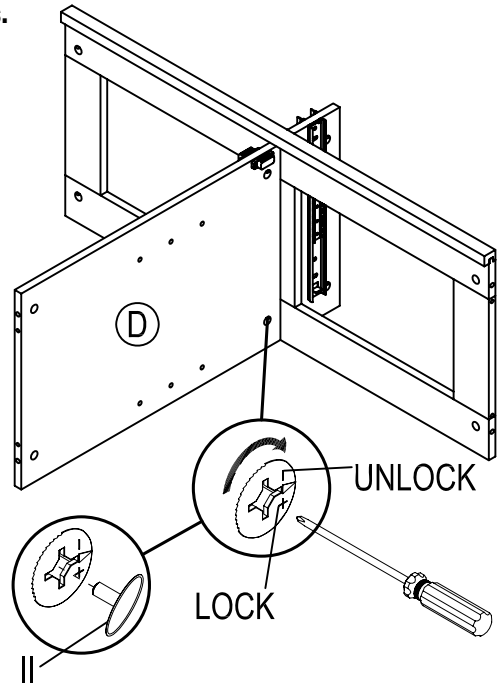
- **b) Insert lock (HH) into partition (D)**



- **c) Join partition (D) to panel (F).**



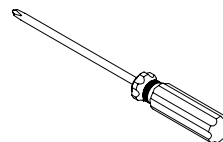
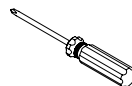
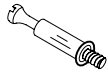
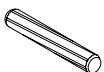
- **d) Tighten bolt (GG) with lock (HH) in the pre-drilled holes.**



- **e) Cover the cam holes with the long cover (II).**

Wood dowel Cam lock bolt Cam lock Long plastic cover Small head Large head

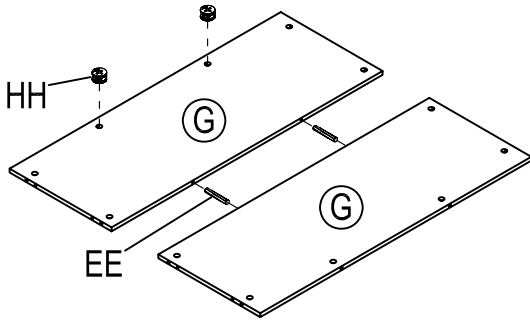
(EE) x 2 (GG) x 2 (HH) x 2 (II) x 2



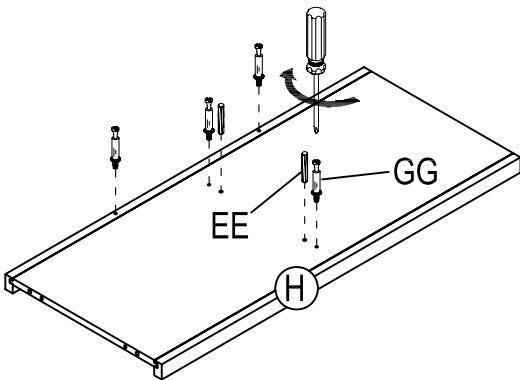
Operation

5 Attaching the back panel and the bottom panel

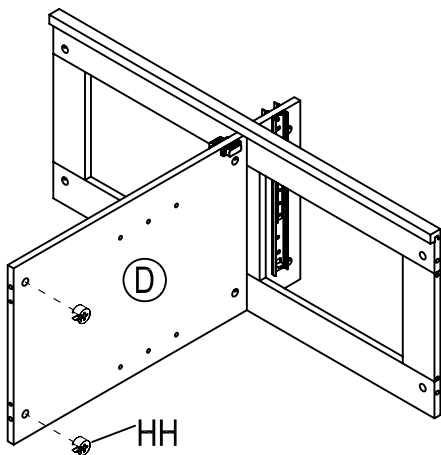
- **a)** Join both panels (G) with dowel (EE) and insert lock (HH) into panel (G).



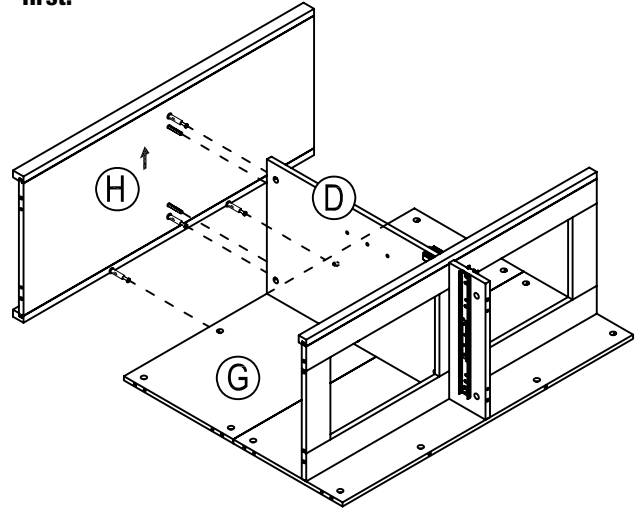
- **b)** Install bolt (GG) and dowel (EE) into panel (H).



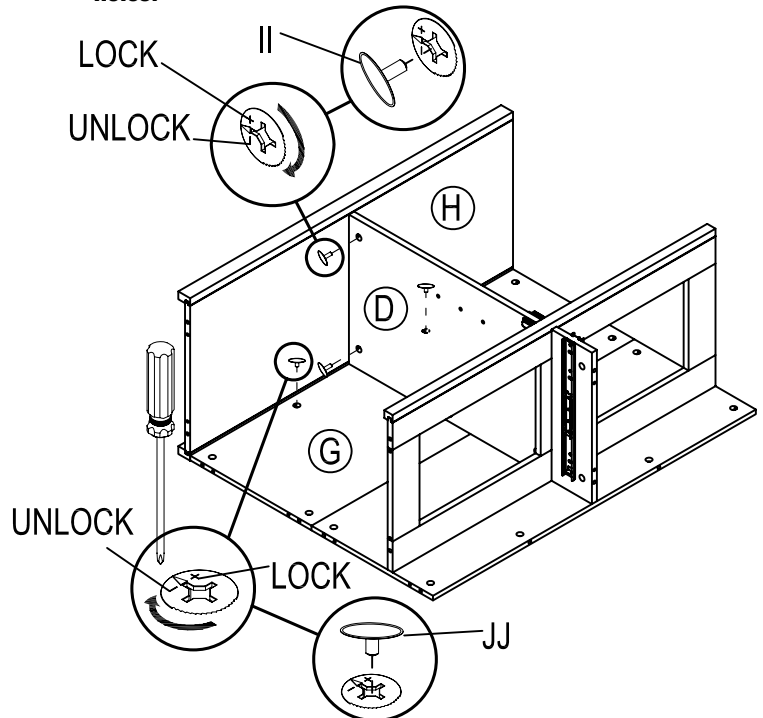
- **c)** Insert lock (HH) into partition (D).



- **d)** Join panel (H) to assembled body with dowel (EE) first.



- **e)** Tighten bolt (GG) with lock (HH) in the pre-drilled holes.



- **f)** Cover the cam holes in panel (G) with the short cover (JJ).
- **g)** Cover the cam holes in partition (D) with the long cover (II).

Wood dowel Cam lock bolt Cam lock Long plastic cover Short plastic cover Small head Large head

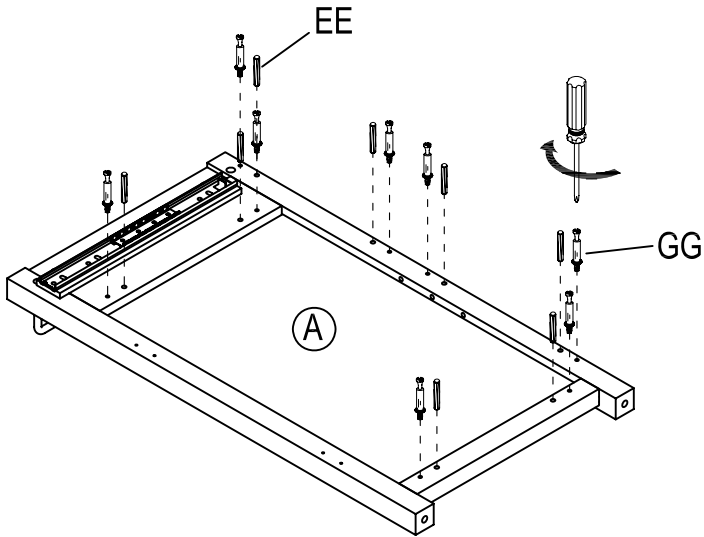
(EE) x 4 (GG) x 4 (HH) x 4 (II) x 2 (JJ) x 2



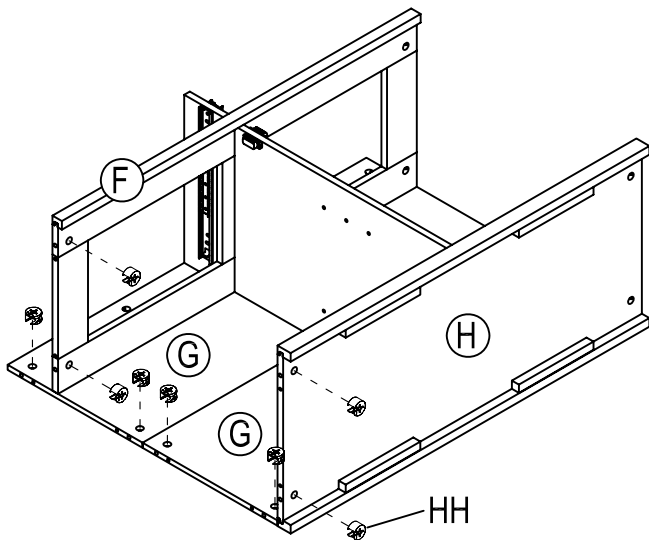
Operation

6 Attaching the left side frame

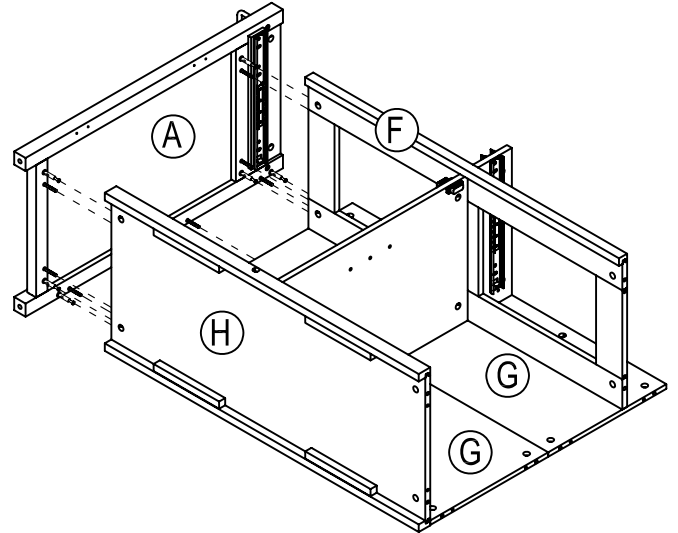
- **a) Install dowel (EE) and bolt (GG) into frame (A).**



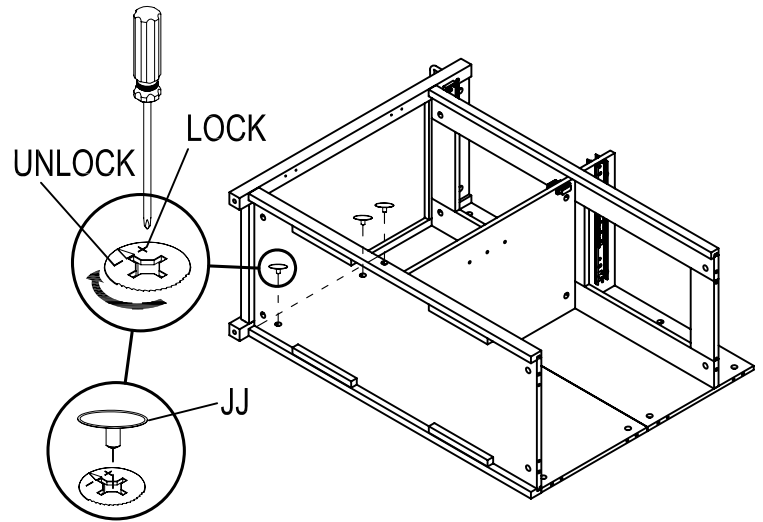
- **b) Insert lock (HH) into panel (F), (G), (H).**



- **c) Join frame (A) to the assembled body with dowel (EE) first.**



- **d) Tighten bolt (GG) with lock (HH) in the pre-drilled holes.**



- **e) Cover the cam holes with the short cover (JJ).**

Wood dowel Cam lock bolt Cam lock Short plastic cover Small head Large head

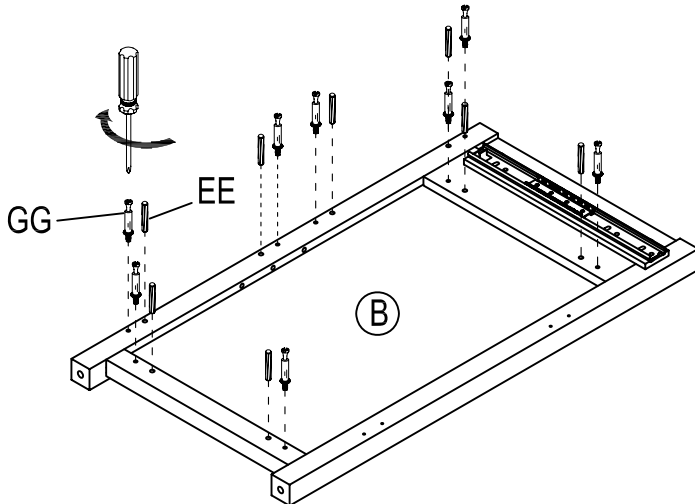
(EE) x 8 (GG) x 8 (HH) x 8 (JJ) x 3



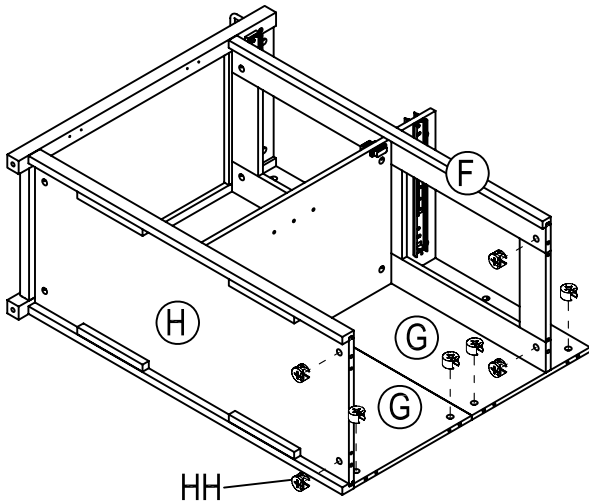
Operation

7 Attaching the right side frame

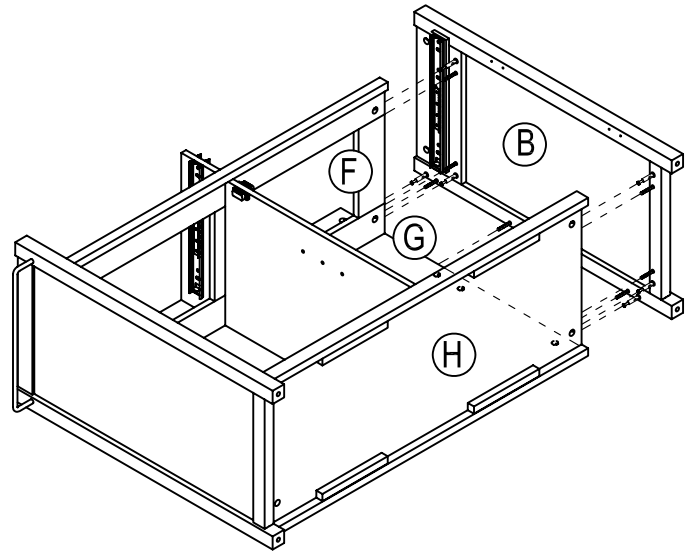
- **a) Install dowel (EE) and bolt (GG) into frame (B).**



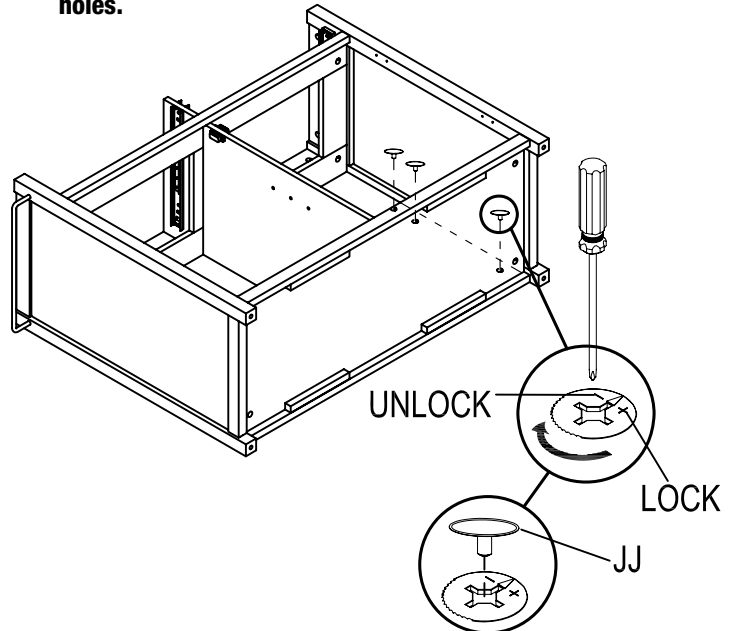
- **b) Insert lock (HH) into panel (F), (G), (H).**



- **c) Join frame (B) to the assembled body with dowel (EE) first.**



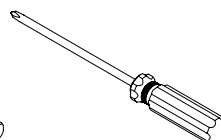
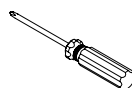
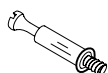
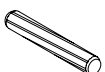
- **d) Tighten bolt (GG) with lock (HH) in the pre-drilled holes.**



- **e) Cover the cam holes with the short cover (JJ).**

Wood dowel Cam lock bolt Cam lock Short plastic cover Small head Large head

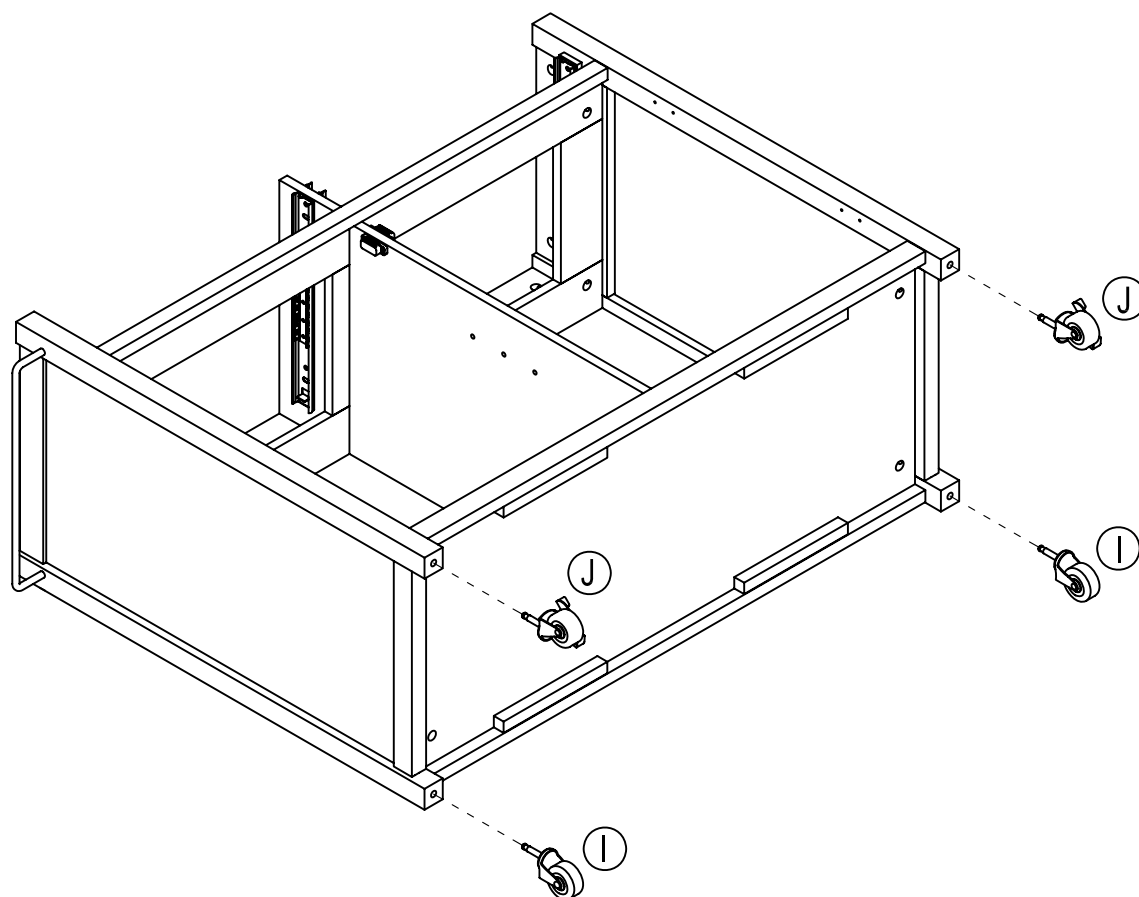
(EE) x 8 (GG) x 8 (HH) x 8 (JJ) x 3



Operation

8 Assembling the universal wheel

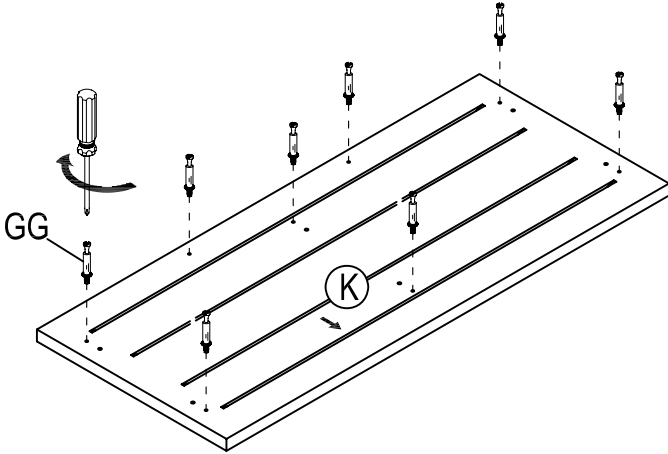
- Insert wheel (I) and (J) into frame (A) and (B) as shown.



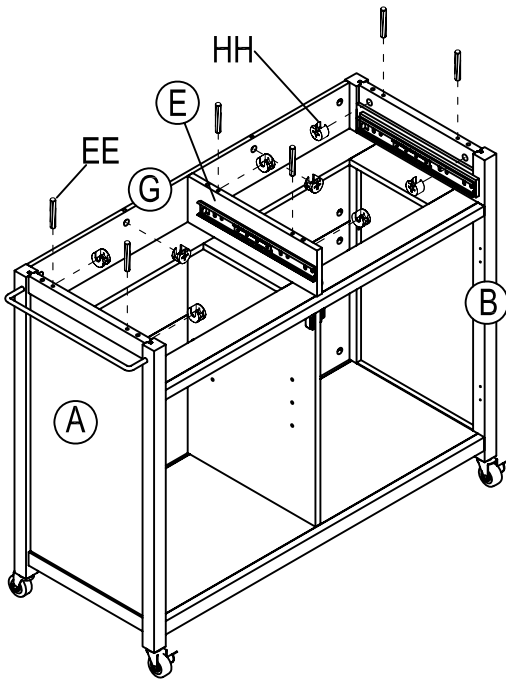
Operation

9 Attaching the top panel

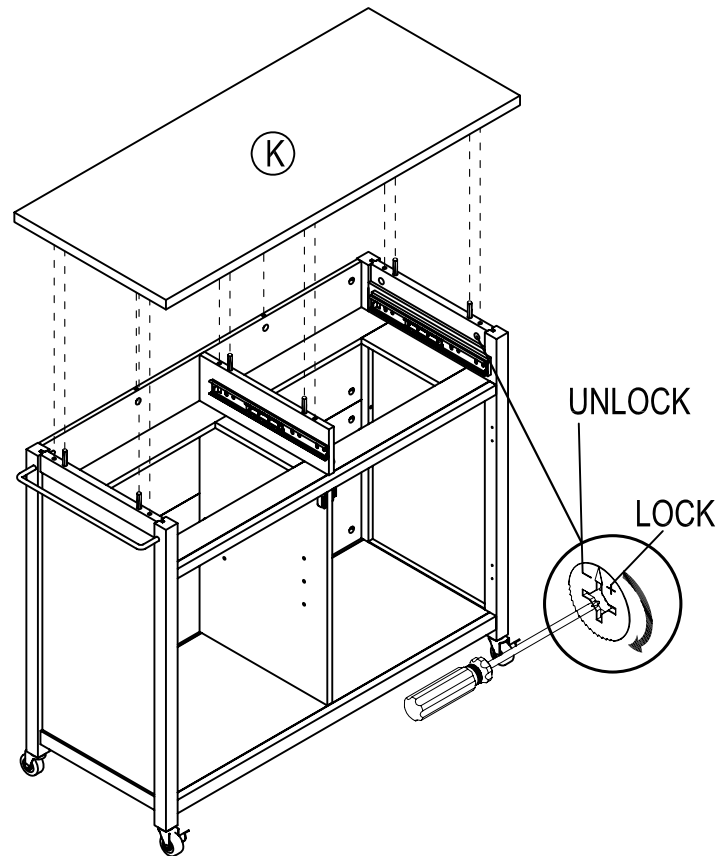
- **a)** Install bolt (GG) into panel (K).



- **b)** Insert dowel (EE) and lock (HH) into frame (A), (B), (G) and partition (E) as shown.



- **c)** Join panel (K) to the assembled body with dowel (EE) first.



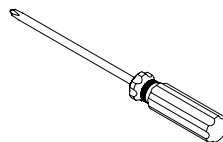
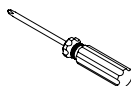
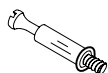
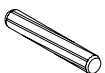
- **d)** Tighten bolt (GG) with lock (HH) in the pre-drilled holes.

Wood dowel Cam lock bolt Cam lock Small head Large head

(EE) x 6

(GG) x 8

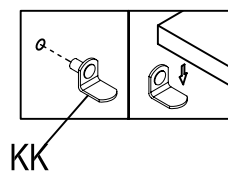
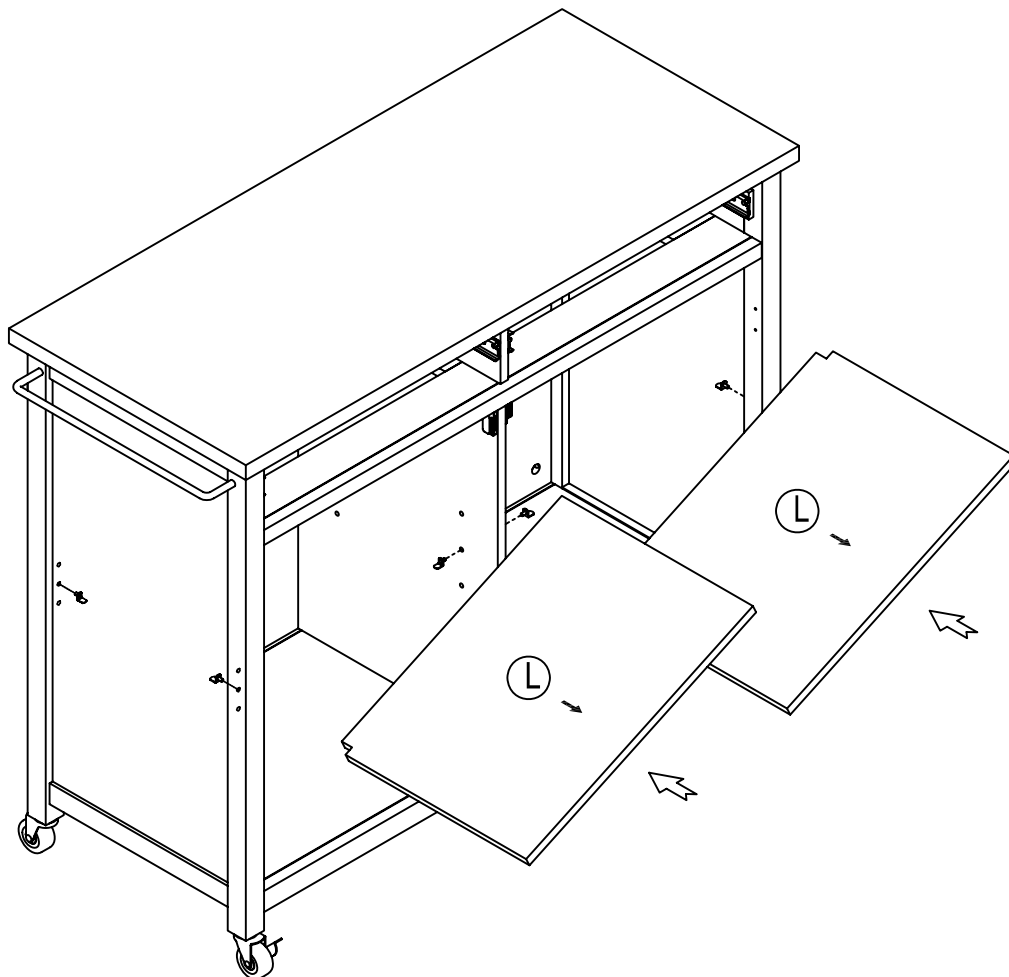
(HH) x 8



Operation

10 Attaching the adjustable shelf

- Insert shelf support (KK) in the desired position and then place the adjustable shelf (L) on the support.



Shelf support

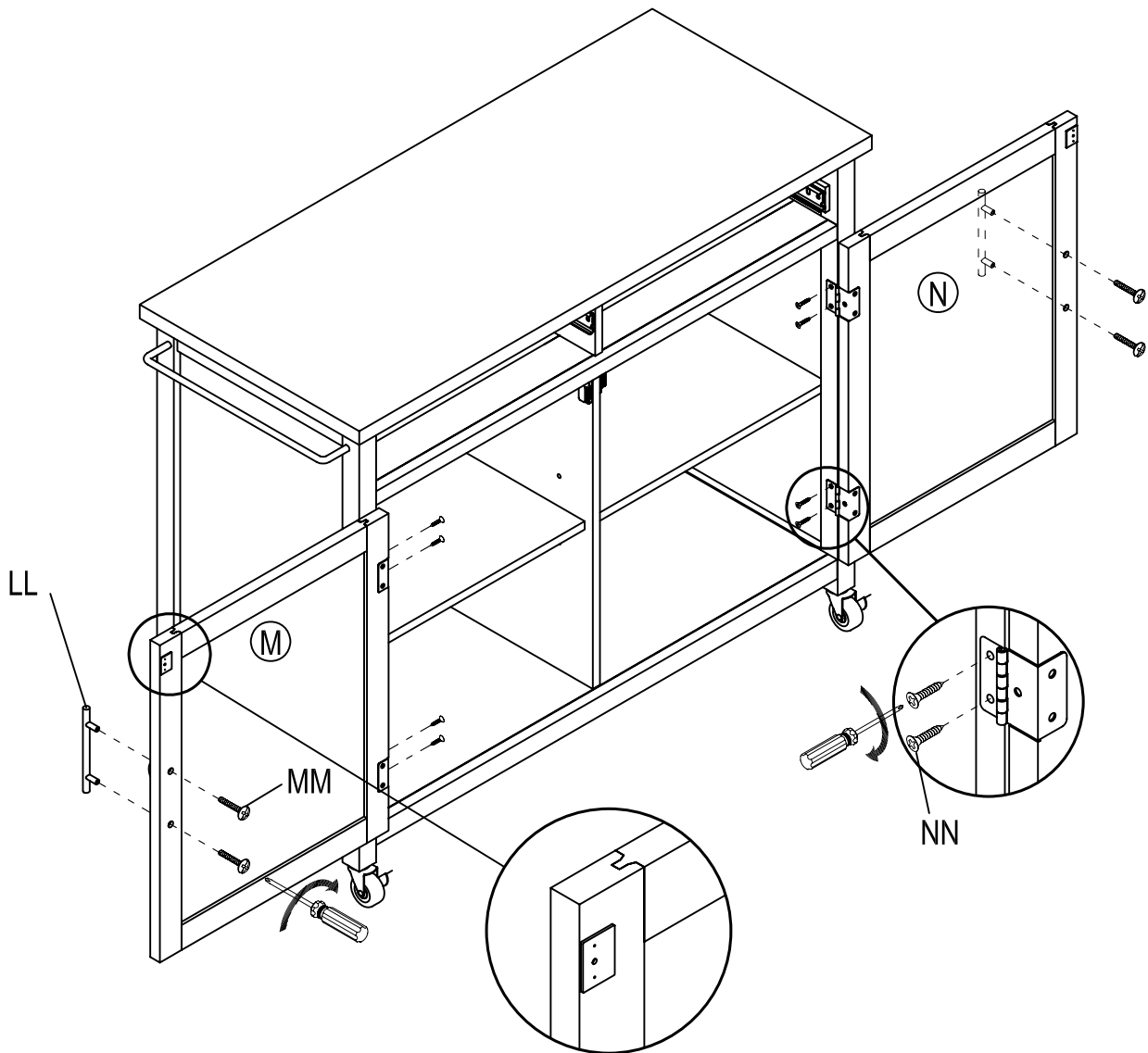
(KK) x 8



Operation

11 Attaching the door

- Attach door (M) and door (N) to the assembled body with screw (NN) as shown.
- Attach handle (LL) to door (M) and door (N) with the handle bolt (MM).

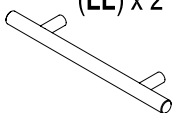


Note: Metal plate needs to be to the top.

Note: Handle the door in position with assistance from a helper could better install the door.

Handle

(LL) x 2



Handle bolt

(MM) x 4

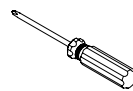


1/2 in. Flat head screw

(NN) x 8



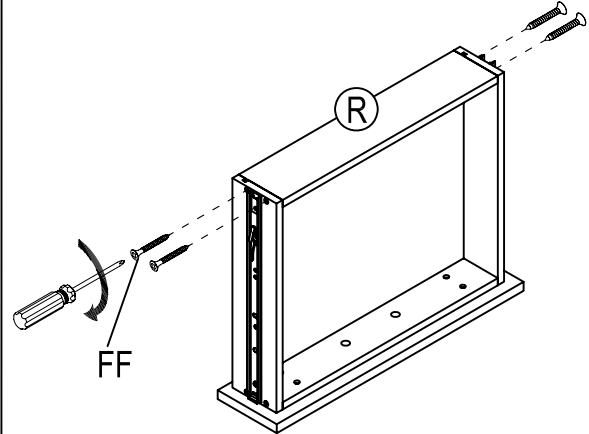
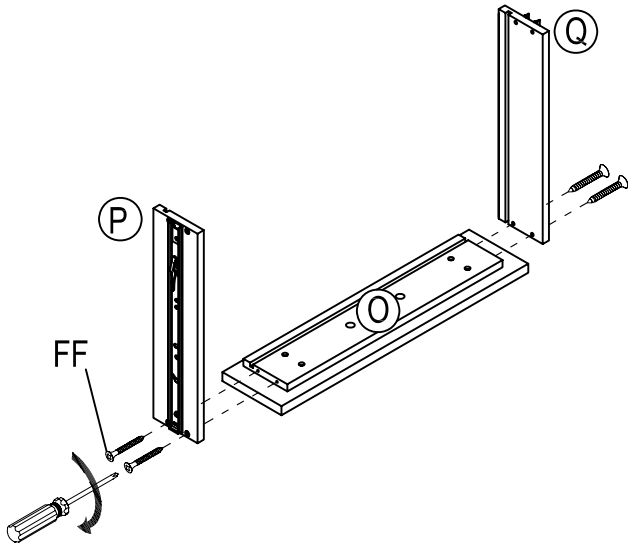
Small head



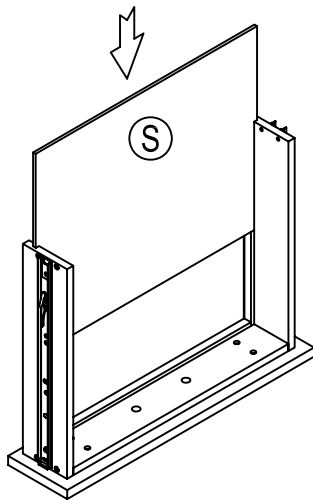
Operation

12 Assembling the drawer

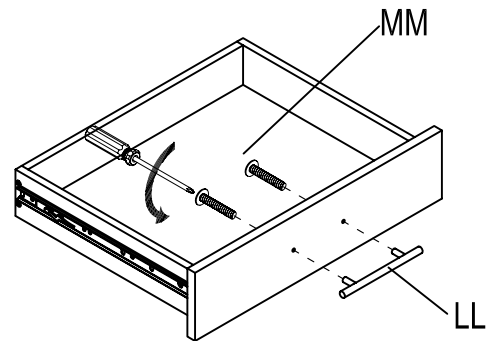
- **a)** Tighten panel (P) and (Q) to panel (O) with screw (FF).
- **c)** Tighten panel (R) to the assembled body with screw (FF).



- **b)** Slide panel (S) into the grooves on panel (P) and (Q).



- **d)** Tighten handle (LL) to panel (O) with bolt (MM).



1 in. Flat head screw

Handle

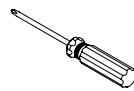
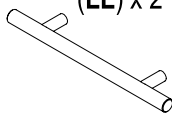
Handle bolt

Small head

(FF) x 16

(LL) x 2

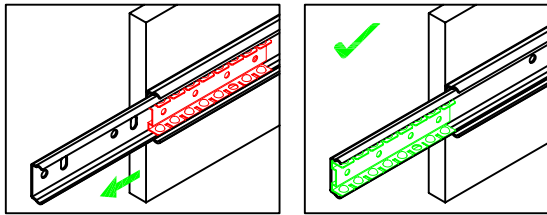
(MM) x 4



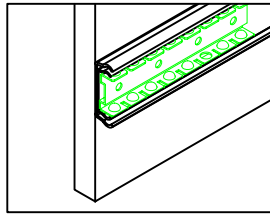
Operation

13 Finalizing the assembly

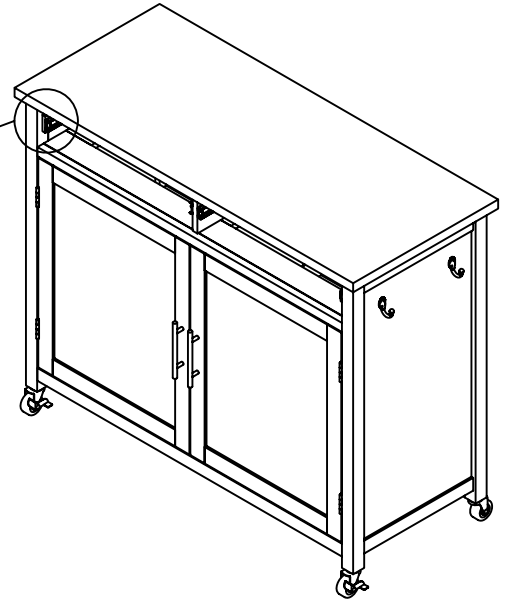
- Insert two drawers into the assembled body as shown.



1. Pull out slide. Slide bearings forward.

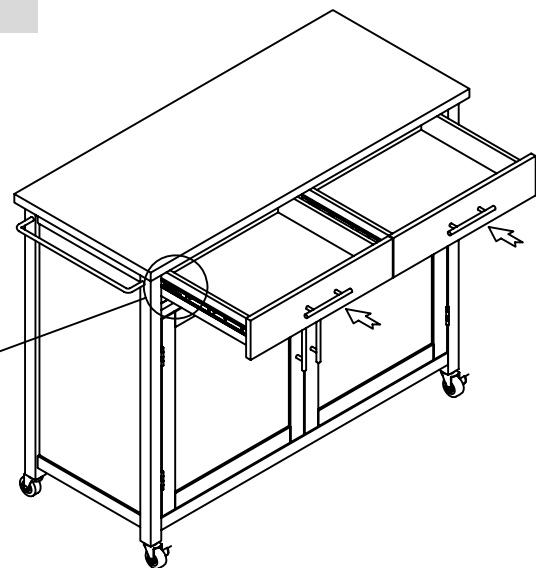
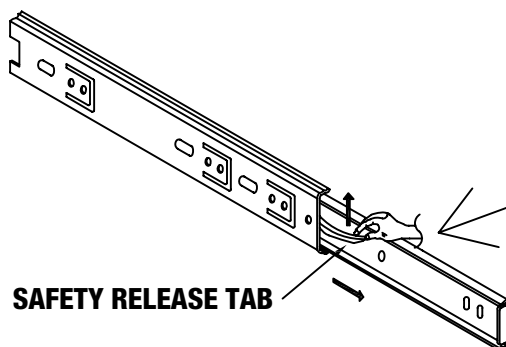


2. Push slide back inside.
Repeat for every slide!



CAUTION

Make sure the slide piece is at the front end of the glide when installing the drawer into the body.



CAUTION

When removing the drawer, tip-up the safety release tab to remove the drawer from the body.

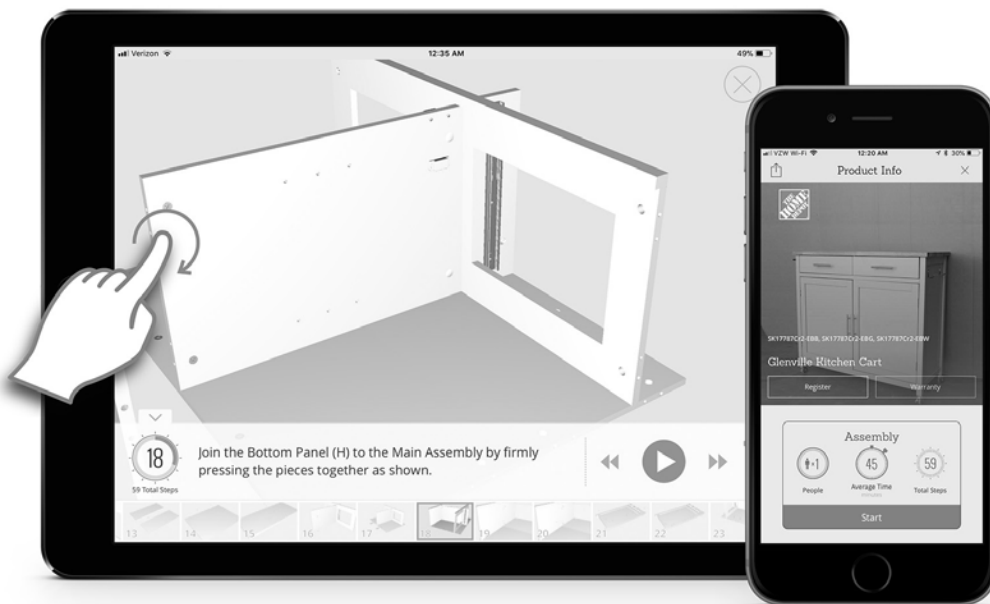
**Questions, problems, missing parts? Before returning
to the store, call Home Depot
Customer Service 1-800-466-3337
8 a.m. – 7 p.m., EST, Monday – Friday, 9 a.m. – 6 p.m., EST, Saturday**

HOMEDEPOT.COM

Retain this manual for future use.

IMPORTANT

Easy step-by-step
interactive 3D instructions
for this product can be found in



BILT[®] INTELLIGENT INSTRUCTIONS

Download on the
App Store

GET IT ON
Google Play

Available on most iOS and Android devices

DOWNLOAD THE FREE APP

