

ASSEMBLY AND INSTRUCTION MANUAL (EN)

mill®

Series: Oil (Oil-filled radiator)

Please read the instructions carefully before use.

Take good care of this manual for later use.

INFORMATION HOTLINE; If you have any questions or comments after reading this owner's guide, please feel free to contact our customer service representative by email at us.support@millheat.com or by phone 1-855-875-0698. Our customer service representative will be happy to help you.

This assembly and instruction manual applies to the following products:

AB-H700MINI, AB-H1000DN, AB-H1500DN




Important safety information

Thank you for choosing this Mill heater. To ensure the best performance from your heater, please read and save the following important instructions. You must obey common safety guidelines when using electrical products, especially in the presence of children.

IMPORTANT INSTRUCTIONS

WHEN USING ELECTRICAL APPLIANCES, BASIC PRECAUTION SHOULD ALWAYS BE FOLLOWED TO REDUCE THE RISK OF FIRE, ELECTRIC SHOCK AND INJURY TO PERSON, INCLUDING THE FOLLOWING:

1. Read all instructions before using this heater.
2. This heater is hot when in use. To avoid burns, do not let bare skin touch hot surfaces. If provided, use handles when moving this heater. Keep combustible materials, such as furniture, pillows, bedding, papers, clothes, and curtains at least 0.9m from the front of the heater and keep them away from the sides and rear.
3. Extreme caution is necessary when any heater is used by or near children or invalids and whenever the heater is left operating and unattended.
4. Always unplug heater when not in use.
5. Do not operate any heater with a damaged cord or plug or after the heater malfunctions, has been dropped or damaged in any manner. Discard heater, or return to authorized service facility for examination and/or repair.
6. Do not use outdoors.
7. This heater is not intended for use in bathrooms, laundry areas and similar indoor locations. Never locate heater where it may fall into a bathtub or other water container.
8. Do not run cord under carpeting. Do not cover cord with throw rugs, runners, or similar coverings. Do not route cord under furniture or appliances. Arrange cord away from traffic area and where it will not be tripped over.
9. To disconnect heater, turn controls to off, then remove plug from outlet.
10. Do not insert or allow foreign objects to enter any ventilation or exhaust opening as this may cause an electric shock or fire, or damage the heater.
11. To prevent a possible fire, do not block air intakes or exhaust in any manner. Do not use on soft surfaces, like a bed, where openings may become blocked.
12. A heater has hot and arcing or sparking parts inside. Do not use it in areas where gasoline, paint, or flammable liquids are used or stored.
13. Use this heater only as described in this manual. Any other use not recommended by the manufacturer may cause fire, electric shock, or injury to persons.
14. Always plug heaters directly into a wall outlet/receptacle. Never use with an extension cord or relocatable power tap (outlet/power strip).
15. This appliance is not intended for use by persons (including children) with reduced physical, sensory or mental capabilities, or lack of experience and knowledge, unless they have been given supervision or instruction concerning use of the appliance by a person responsible for their safety.

16. Children should be supervised to ensure that they do not play with the appliance.
17. If the SUPPLY CORD is damaged, it must be replaced by the manufacturer, its service agent or similarly qualified person in order to avoid a hazard.
18. The meaning of figure  in marking is "DO NOT COVER".
19. WARNING: In order to avoid overheating, do not cover the heater.
20. The instructions shall state that the heater must not be located immediately below a socket outlet.
21. Do not use this heater in the immediate surroundings of a bath, a shower or a swimming pool.
22. This heater is filled with a precise quantity of special oil. Repairs requiring opening of the oil container are only to be made by the manufacturer or his service agent who should be contacted if there is an oil leak.
23. When scrapping the heater, follow the regulations concerning the disposal of oil.
24. Pay special attention if the heater is used in rooms where children, the handicapped or elderly reside, and whenever the heater is left operating unattended.
25. If the heater has leaked any oil, discontinue using the heater and contact our customer service representative at 1-855-875-0698 or email us.support@millheat.com.
26. Extreme caution is necessary when the heater is used by or near children or disabled people and whenever the heater is left operating and unattended.
27. The device cannot be used by children under 8 years of age and persons with reduced physical or mental abilities or lack of experience and knowledge unless they have been given supervision or instruction in the safe use of the device and understand the hazards involved.
28. Children should not play with the device. Cleaning and maintenance should not be done by unsupervised children.
29. Children under the age of 3 should be kept away from the device, unless they are under constant supervision.
30. Children aged 3 to 8 years are only permitted to turn the device ON/OFF, assuming the device is mounted according to the assembly instructions and the children have received instruction or supervision in the safe use of the device and understand the hazards involved.
31. If the heater will not operate please contact the store where you bought the heater or our customer service representative at 1-855-875-0698 or email us.support@millheat.com.
32. Do not disassemble the heater.

SAVE THESE INSTRUCTIONS

Safety features

AUTOMATIC TIP-OVER SAFETY SWITCH

The heater turns itself automatically off if it tips over. The heater will resume normal operation when it is returned to the upright position.

AUTOMATIC OVERHEATING PROTECTION

To avoid damage and danger by overheating, the heater is equipped with a protection switch that turns the unit off if it overheats.

Cleaning/maintenance instructions;

During season care

- 1) Before cleaning, always turn off and unplug the heater, and leave it to cool.
- 2) Wipe the heater regularly with a soft, damp cloth and dry the surface before turning on the heater again.
- 3) Do not immerse the heater in water.
- 4) Never use detergents, gasoline, benzene or thinner to clean the heater. This will damage its surface.
- 5) The heater must be cleaned at least once a month during the heating season.

Caution! Never let any water get inside the heater; this can be hazardous.

- 6) Dust etc. should be removed with a soft cloth.
- 7) After cleaning, be sure to dry the heater with a cloth or towel.
- 8) Store the heater in a dry and clean place.
- 9) If the heater stops working, do not attempt to repair it yourself because it can cause a fire hazard and/or electric shock.

After season care.

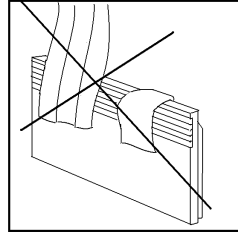
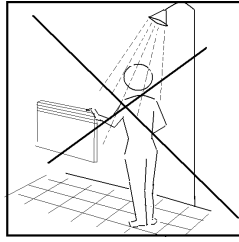
- 1) Store heater in a cool and dry location with the power cord properly secured.
- 2) Please store the unit in its original carton or a suitable container.

PRE-OPERATING INSTRUCTIONS:

- 1) Carefully remove the heater from the box (please save the carton for off-season storage), and remove the plastic bag before use. Keep the plastic bag away from children.
- 2) After unpacking the heater, check to make sure that the product was not damaged during transport. Contact the retailer or importer if you discover any visible damages to the product.
- 3) Place the heater on a firm level surface before plugging the heater into the outlet.
- 4) Keep the outer packaging to transport the heater in the future. If you want to dispose of the packaging, make sure it is done properly.

STORE THIS INSTRUCTION MANUAL FOR FUTURE USE!

NEVER TOUCH YOUR HEATER OR ITS CASING WITH WET HANDS!



Specifications

Model	Thermostat	Color	Amperage	Power (W)	Mill Heat Boost
AB-H700MINI	Mechanical	White	~120V/ 60 Hz	700	Yes
AB-H1000DN	Day/night	White	~120V/ 60 Hz	1000	Yes
AB-H1500DN	Day/night	White	~120V/ 60 Hz	1500	Yes

First use

After turning on the heater for the first time or after an extended period without use, the heater can produce a burnt odor for a short time. This is normal.

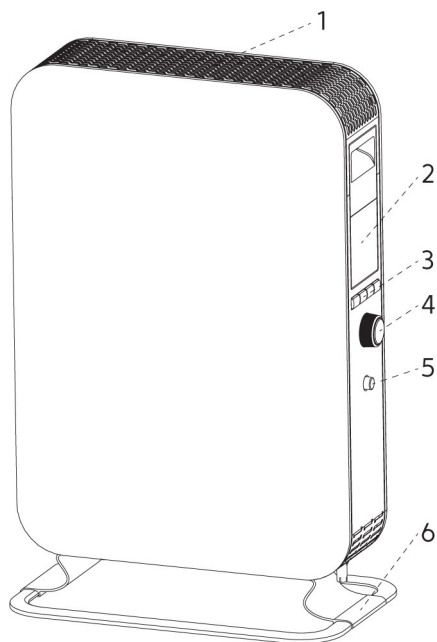
Please read all the instructions carefully before use. Save the instruction manual for future use.

It is also normal for the heater to make sounds when it warms up or cools down.



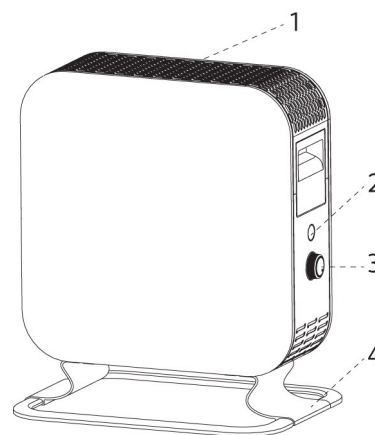
DO NOT COVER

Description of the heater



AB-H1000DN/1500DN

1. Heat emission
2. LED display
3. Thermostat
4. Output selector
5. OFF/ON
6. Legs (aluminum)

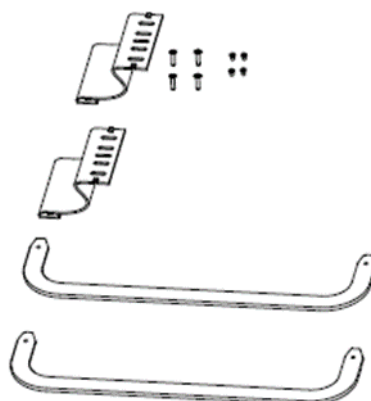


AB-H700MINI

1. Heat emission
2. Indicator light
3. OFF/ON
4. Legs (aluminum)

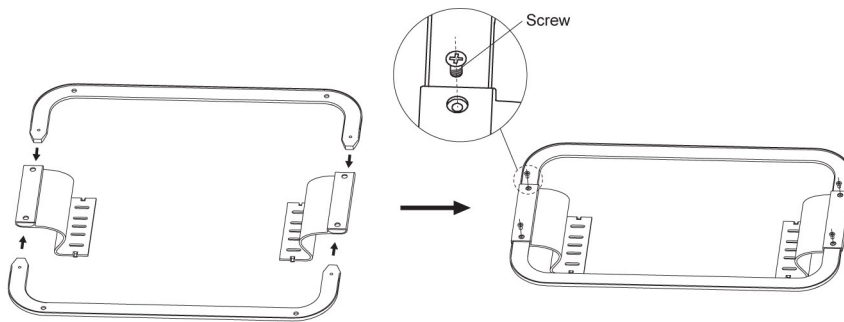
Parts

- 8 screws (pre-mounted)
- 2 foot brackets
- 2 rails for the feet

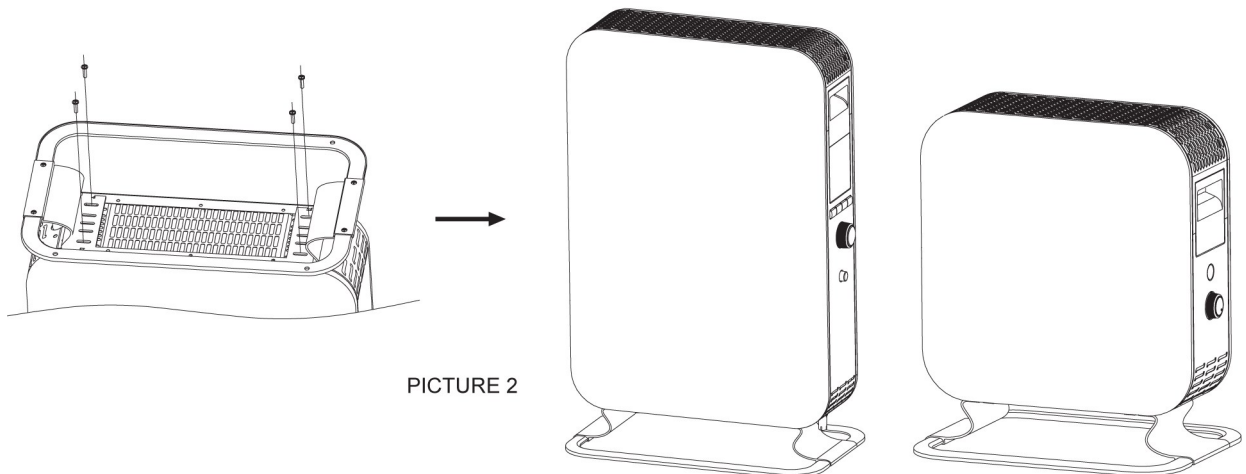


Assembly instructions

1. The heater should be unplugged during assembly or disassembly.
2. Insert both legs into the brackets so you get a stable foot (as shown in Picture 1 below).
3. Attach the legs to the brackets by tightening 2 screws into each bracket (see the picture below).
4. For easy assembly turn the heater upside down. Remove the pre-mounted screws from the bottom of the heater and place the heater gently on its head to mount the feet.
5. Two screws must be fastened on each foot bracket (as shown in Picture 2 below).
6. After the assembly is complete return the heater to its upright position before operation.
7. **NEVER USE THE HEATER BEFORE THE LEGS HAVE BEEN TIGHTLY SCREWED.**



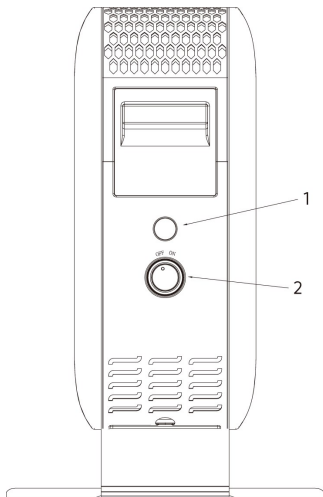
PICTURE 1



PICTURE 2

AB-H700MINI — Instructions

Control panel for AB-H700MINI



1. Indicator light
2. OFF/ON

WARNING: Be sure the foot is fitted correctly and according to the instructions before using the heater!

Use

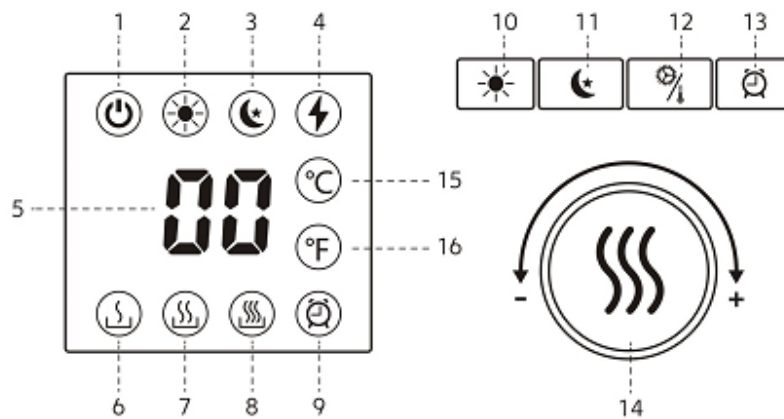
Set the heater to OFF. Plug the heater into a wall outlet (120V/60 Hz)

1. Set the heater to ON. The indicator light will be lit when the heating elements are heating up.
2. To turn off the heater, set the output selector to OFF. If the heater will be left unused for a longer period of time, pull out the plug.
3. The heater has an overheat protection that turns the device off if any parts become extremely hot.

AB-H1000DN/1500DN — Instructions

Control panel for AB-H1000DN/1500DN

The heater always shows Fahrenheit when used for the first time. The user can change between Fahrenheit and Celsius see instructions on page 10. The display will show which temperature method is used.



1. Standby
2. Daytime setback
3. Nighttime setback
4. Power indicator — Shows whether the heater is using power or not
5. Desired room temperature
- 6., 7., 8. Indicates the output level
9. Timer function
10. Daytime setback activation button
11. Nighttime setback activation button
12. Function button
13. Timer activation button
14. Thermostat and output selector:
 - i. Turn the selector to the left to decrease the temperature, and turn the selector to the right to increase the temperature.
 - ii. Push the button to change the desired power level. 3 power levels.
15. Celsius
16. Fahrenheit

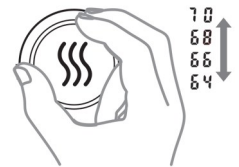
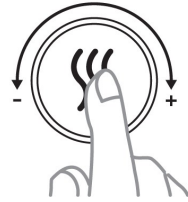
WARNING: Be sure the foot is fitted correctly and according to the instructions before using the heater!

If the temperature sensor is not functioning properly, you will see the symbol below on the display. Please contact our customer service representative.



Using AB-H1000DN/1500DN

1. Plug the heater into a wall outlet (120V/60 Hz)
2. Press OFF/ON button.
3. Choose the desired power I, II or III, by pressing the output selector. Turn the thermostat to the desired temperature while looking at the display. As soon as the room temperature drops below this level, the heater will automatically start again. When the room has reached the desired temperature again, the heater will turn itself off.
4. The heater always show Fahrenheit when used for the first time. To change between Fahrenheit and Celsius please press and hold the settings button for 5 seconds. The thermostat goes from 41 to 95°F (5 to 35°C).
5. If you want to change the temperature in the room, repeat step 3.
6. The heater has an overheat protection that turns the device off if any parts become extremely hot.
7. To turn off the heater, press the OFF/ON button. Should the heater be left unused for a longer period of time, pull out the plug.



Fahrenheit



Celsius

TIMER FUNCTION



The timer function will turn off the heater after a desired number of hours have passed.

ADVANCED SETTINGS

1) Daytime setback

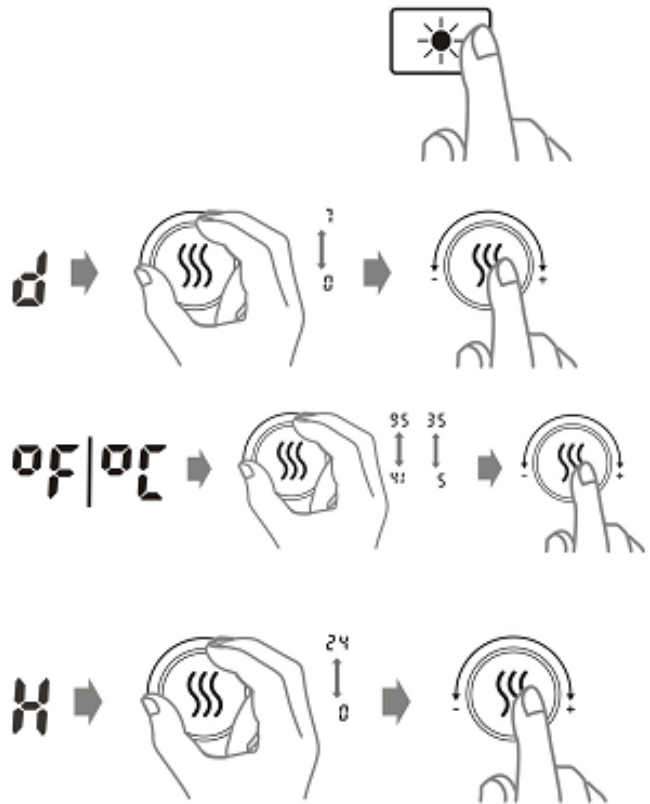
When you want the heater to reduce the temperature during the day (set for weekdays from now on) press ☀️. The display shows "d".

Enter the correct weekday. (Monday = 1, Tuesday = 2, Wednesday = 3, Thursday = 4, Friday = 5, Saturday = 6, Sunday = 7). Save by pressing this: ⌚.

Enter the desired temperature for daytime setback. Save by pressing ⌚.

Enter the desired number of hours for daytime setback. Save by pressing ⌚.

*Control light ☀️ is steady green when the heater is in an active setback period. The control light is steady white when the setback period is inactive, but has been programmed.



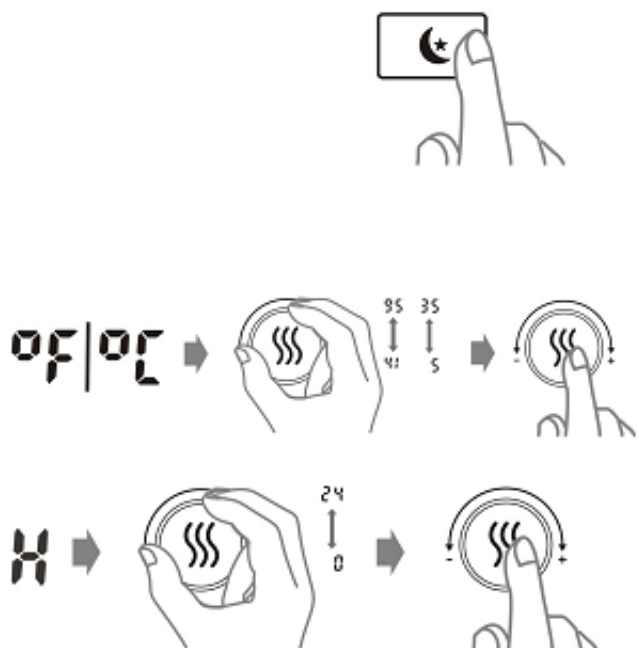
2) Nighttime setback

When you want the heater to reduce the temperature in the evening (applicable every evening/night from now on) press 🌙. The display shows Fahrenheit (Celsius).

Enter the desired temperature for nighttime setback. Save by pressing ⌚.

Enter the desired number of hours for nighttime setback. Save by pressing ⌚.

*Control light 🌙 is steady green when the heater is in an active setback period. The control light is steady white when the setback period is inactive, but has been programmed.



3) Change setback temperature — Daytime


Press and hold  and press  3 times.

Enter the desired temperature for daytime setback. Save by pressing  or wait for 15 seconds for automatic confirmation.





4) Change setback temperature — Nighttime


Press and hold  and press  3 times.

Enter the desired temperature for nighttime setback. Save by pressing  or wait for 15 seconds for automatic confirmation.



5) Change number of hours — Daytime


Press and hold  and press  2 times.

Enter the desired number of hours for daytime setback. Save by pressing  or wait for 15 seconds for automatic confirmation.






6) Change number of hours — Nighttime

Press and hold  and press  2 times.

Enter the desired number of hours for nighttime setback. Save by pressing  or wait for 15 seconds for automatic confirmation.

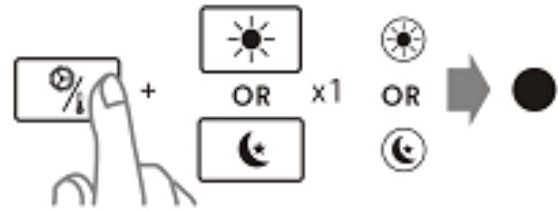


7) Cancel (skip) setback period



Press and hold  and press  or  once (depending on which setback period you want to cancel).

*The heater will skip an active setback period or the next setback period.

*During the next setback period, the heater will automatically resume the programmed temperature reduction.





8) Delete a setback program

Press and hold  or  (depending on which setback period you want to cancel) for 3 seconds.



9) Temperature calibration

* Should any deviations occur between the desired and actual temperature in the room, it can be easily adjusted (the heater should have been set to the same setting for at least 12 hours in order to be sure a calibration is necessary).

Press  2 times and use + or - to set the actual temperature observed in the room. Confirm with  or wait for 15 seconds for automatic confirmation.



10) Resetting the heater

Turn off the heater's main switch.

Press and hold  while you turn on the heater's main switch.

11) Memory function

*The heater remembers all the temperature settings and will automatically return to the desired temperature after a power failure. If you have changed the temperature setting for the various setback program, the heater will also remember it.

Warranty

For your own records, staple or attach your sales receipt to this manual. Please also write the store name/location and date purchased below.

STORE NAME/LOCATION: _____

DATE PURCHASED: _____

Please save this warranty information.

The warranty is valid for 2 years. The heater will be replaced during this time should any malfunction occur. The warranty applies if the heater is used according to these instructions, the customer can present a purchase receipt and as long as this product is only used for private household purposes. If the heater malfunctions in any way, please contact the store where it was purchased or the importer.

Mill International B.V. warrants to its customers and/or consumer of this electric heater and the parts thereof will be free from defect in material and workmanship, under normal use, for a period of two (2) years from the date of initial purchase. The warranty does not apply to repairs necessitated by damage, misuse, abuse or alternation and to any repair of merchandise not used within the United States or Canada. Unless otherwise prescribed by law, Mill International B.V. shall not be liable for any personal injury, property damage or any incidental or consequential damages of any kind (include water damage) resulting from malfunctions, defects, misuse, improper installation or alternation of this product. This warranty is the only warranty extended by Mill International B.V. to its original customers and/or consumer having purchased this heater. Mill International B.V. disclaims all other warranties, express or implied, that arise by the operation of law, specifically including the implied warranties of merchantability and fitness for a particular purpose. Mill International B.V. shall not be liable for any incidental or consequential damage, which may have resulted from any alleged breach of warranty. Some states do not allow limitations on how long implied warranty lasts or the exclusion or limitation of incidental or consequential damage, so the above limitations or exclusion may not apply to you. This warranty gives you specific legal rights. You may also have other rights which vary from state to state.

Should the heater fail during the warranty period, the owner should:

Within the first 30 days from date of purchase, the store from which you purchased your Mill product should replace this product if it is defective in material or workmanship (provided the store has in-stock replacement).

Within the 24 months from date of purchase (i.e. the warranty period), Mill International B.V. will replace the product if it is defective in material or workmanship providing it is returned to the store where it was purchased, with evidence of purchase date (registered receipt).

IMPORTANT: DO NOT ATTEMPT TO REPAIR THIS HEATER YOURSELF. DOING SO MAY VOID YOUR WARRANTY. PLEASE RETAIN THIS WARRANTY AND YOUR SALES RECEIPT TO INSURE YOUR PRODUCT WARRANTY.

Service instructions:

Do NOT attempt to repair or adjust any electrical or mechanical functions on the heater. Doing so will void the warranty.

If you have any questions regarding this heater's operation or any other questions or comments, please call 1-855-875-0698 to speak with a customer service representative or send an e-mail to us.support@millheat.com.

If you need to exchange the unit, please return it, in its original carton with a sales receipt enclosed, to the store you purchased it. If you are returning the unit more than 30 days after the date of purchase, please see the enclosed warranty.

IMPORTANT: Return instructions:

Your warranty depends on you following these instructions if you are returning the unit more than 30 days after the date of purchase:


Carefully pack the heater in the original container or a suitable container to avoid damage in shipping.

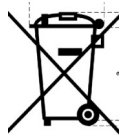
Seal the carton, and then return it to the store where the heater initially was bought, please include an envelope to the store where you enclose your name, full address with zip code, daytime phone number, evidence of purchase date (register receipt). Please also include a brief explanation of the problem you are having with the unit.

Mill International B.V. recommends you insure the package (as damage in shipping is not covered by your warranty).

All shipping charges must be prepaid by you (as noted as above).

Waste disposal

The symbol  indicates that this product is not to be disposed of together with household waste. This product must be delivered to a recycling service or container for electrical appliances and electronic equipment. This is done to avoid health risks and prevent harm to the environment. Local businesses (or the environmental station in your neighborhood) are required by law to accept and recycle such products, as a means of environmentally sound disposal.



Mill International B.V.

www.millheat.com

mill®