



Microwaves

FGMO205K F/W/B

24" Built-In



Product Dimensions

| | |
|--------|---------|
| Height | 13-3/8" |
| Width | 24" |
| Depth | 19-1/8" |

More Easy-To-Use Features

Smudge-Proof Stainless Steel¹

Real Stainless Steel with a protective coating reduces fingerprints and smudges so it's easy to clean.

Sensor Cooking

Microwave automatically adjusts power levels and cooking times to perfectly cook a variety of items, effortlessly.

One-Touch Keep Warm Setting

Just one touch of a button keeps food warm until everything – and everyone – is ready.

One-Touch Add 30 Seconds

Built-In Trim Kit

Optional trim kit available in white, black or stainless trim in 27" or 30" diameter.

Available in:



¹Select models only.

Signature Features



Fits-More™ Microwave

Extra-large microwave provides 2.0 cubic feet of cooking space.



Effortless™ Reheat

Reheat almost anything with the touch of a button.



Over 30 Options

Versatile settings include: Chicken nuggets and snacks.

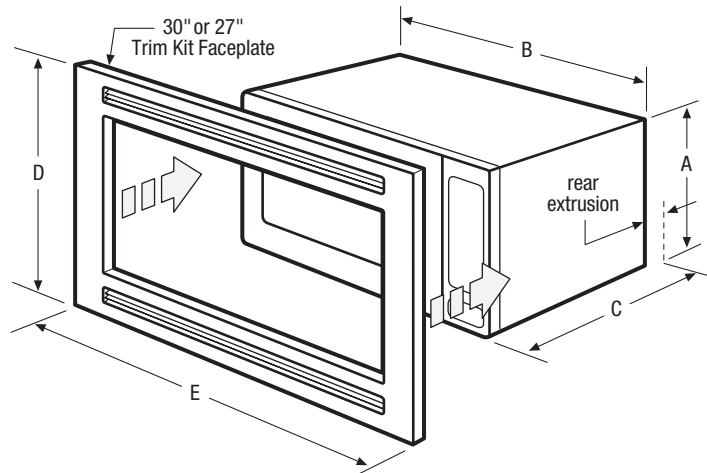


One-Touch Options

Our microwaves feature easy-to-use one-touch buttons so you can cook chicken nuggets, baked potatoes or popcorn with the touch of a button.

| | |
|---|---|
| Features | |
| Control/ Timing System | Express-Select® |
| Exterior Door Finish | Smudge-Proof Stainless Steel (F), Color-Coord.(W/B) |
| Handle Design | Push Button |
| Microwave Capacity (Cu.Ft.) | 2.0 |
| Convection | |
| Watts (IEC-705 Test Procedure) | 1,200 |
| Interior Light | Yes |
| Interior Color | White |
| Turntable Diameter | 16" |
| Turntable On/Off | |
| Control Lock | Yes |
| Clock | Yes |
| Touch Pad Buttons | 28 |
| Power Levels | 10 |
| Accessory Metal Rack | |
| Microwave Control Options | |
| Popcorn Button | Yes |
| Chicken Nugget Button | Yes |
| Baked Potato Button | Yes |
| Sensor Reheat Button | Yes |
| Snack Button | Yes |
| Beverage | |
| Melt & Soften Options | 4 |
| Auto Reheat Options | 3 |
| Snack Menu Options | 4 |
| Auto Cook Options | 3 |
| Auto Defrost Options | 6 |
| Multi-Stage Cooking Option | |
| Keep Warm | Yes |
| Add-30-Seconds | Yes |
| Sensor Cooking Options | 5 |
| Vegetable Cook Sensor | Yes |
| Delay Start | Yes |
| User Preferences | Yes |
| Power Ratings | |
| Frequency (MHz) | 2,450 |
| Watts @ 120 Volts | 1,700 |
| Amps @ 120 Volts | 14.3 |
| Optional Accessories | |
| 30" Stainless Steel Trim Kit | PN# MWTK30KF |
| 30" White Trim Kit | PN# MWTK30KW |
| 30" Black Trim Kit | PN# MWTK30KB |
| 27" Stainless Steel Trim Kit | PN# MWTK27KF |
| 27" White Trim Kit | PN# MWTK27KW |
| 27" Black Trim Kit | PN# MWTK27KB |
| Specifications | |
| Oven Interior (HxWxD) | 10-1/2" x 17-3/8" x 18-5/8" |
| Power Supply Connection Location | Right Top Rear |
| Voltage Rating | 120V / 60Hz / 15 or 20A |
| Connected Load (kW Rating) @ 120 Volts ¹ | 1.7 |
| Minimum Circuit Required (Amps) | 15 |
| Shipping Weight (Approx.) | 46 Lbs. |

¹For use on adequately wired 120V, dedicated circuit having 2-wire service with a separate ground wire. Appliance must be grounded for safe operation.



NOTE: For planning purposes only. Always consult local and national electric codes. Refer to Product Installation Guide for detailed installation instructions on the web at frigidaire.com.



| Product Dimensions | | Cutout Dimensions | |
|---------------------------------|---------|-------------------|---------|
| A - Height | 13-3/8" | Height (Min.) | 16-3/4" |
| B - Width | 24" | Height (Max.) | 17" |
| C - Depth | 19-1/8" | Width (Min.) | 24-3/4" |
| D - Height (Trim Kit Faceplate) | 18" | Width (Max.) | 25" |
| E - Width (Trim Kit Faceplate) | 30"/27" | Depth (Min.) | 20" |

Accessories information available on the web at frigidaire.com

FRIGIDAIRE

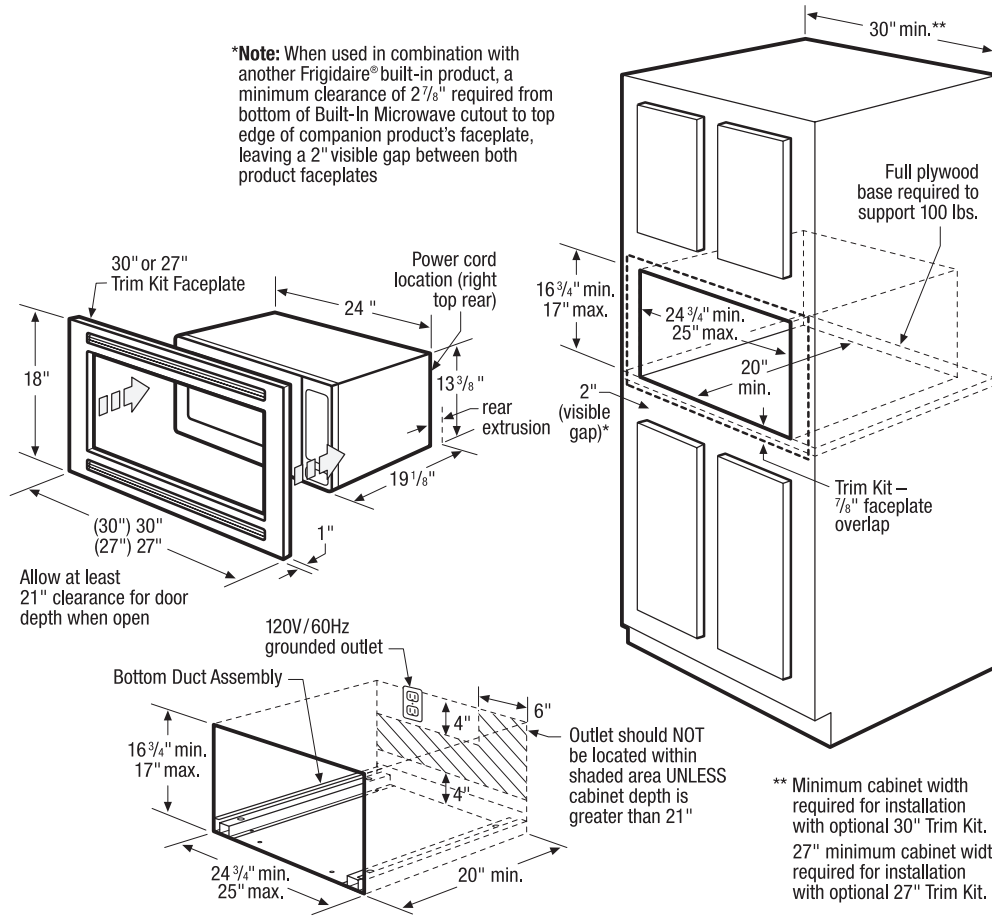
USA • 10200 David Taylor Drive • Charlotte, NC 28262 • 1-800-FRIGIDAIRE • frigidaire.com
CANADA • 5855 Terry Fox Way • Mississauga, ON L5V 3E4 • 1-800-265-8352 • frigidaire.ca

FGMO205K 11/12

© 2012 Electrolux Home Products, Inc.

Specifications subject to change.

***Note:** When used in combination with another Frigidaire® built-in product, a minimum clearance of 2-7/8" required from bottom of Built-In Microwave cutout to top edge of companion product's faceplate, leaving a 2" visible gap between both product faceplates



Microwave Specifications

- Product Shipping Weight (Approx.) - 46 Lbs. (not incl. Trim Kit)
- Voltage Rating - 120V/60 Hz/15 or 20 Amps
- Connected Load (kW Rating) @ 120 Volts = 1.7 kW (For use on adequately wired 120V, dedicated circuit having 2-wire service with a separate ground wire. Appliance must be grounded for safe operation.)
- Amps @ 120 Volts = 14.3 Amps
- Always consult local and national electric codes.
- Microwave can stand alone on countertop or be built in with optional 30" or 27" Trim Kit (ordered by individual part number) which includes Bottom Duct Assembly - shipped in separate box.
- Allow 21" minimum clearance for 90° door swing.
- Minimum 20" deep oven cutout dimension is critical for proper installation for oven and faceplate to fit flush against cabinet front.
- Consult local building code, in the event that cutout opening may be required to be enclosed with sides, ceiling and rear partition.
- Full oven base of solid plywood or similar material required, capable of supporting 100 Lbs.

- Base must be level and front of cabinet square for proper operation.
- Grounded outlet should NOT be located in shaded area, as indicated, UNLESS cabinet depth is greater than 21".
- Can NOT be installed above any gas wall oven.
- Built-In Microwave is approved to be used in combination with any Frigidaire® Electric Single Wall Oven and/or Warmer Drawer. (Refer to model-specific Combination Installation Specification pages on web.)
- When used in combination with another Frigidaire® built-in product, a minimum clearance of 2-7/8" required from bottom of Built-In Microwave cutout to top edge of companion product's faceplate, leaving a 2" visible gap between both product faceplates.

Note: For planning purposes only. Refer to Product Installation Guide on the web at frigidaire.com for detailed instructions

Optional Accessories

- 30" Stainless Steel Trim Kit - (PN# MWTK30KF).
- 27" Stainless Steel Trim Kit - (PN# MWTK27KF).
- 30" White Trim Kit - (PN# MWTK30KW).
- 27" White Trim Kit - (PN# MWTK27KW).
- 30" Black Trim Kit - (PN# MWTK30KB).
- 27" Black Trim Kit - (PN# MWTK27KB).

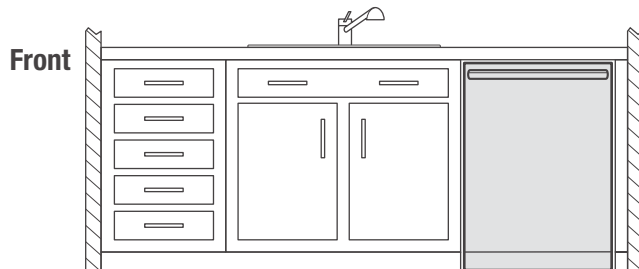


Use these dimensions and clearance instructions for planning purposes only. For detailed installation instructions, refer to installation guide, packed with product, or on the web at frigidaire.com.

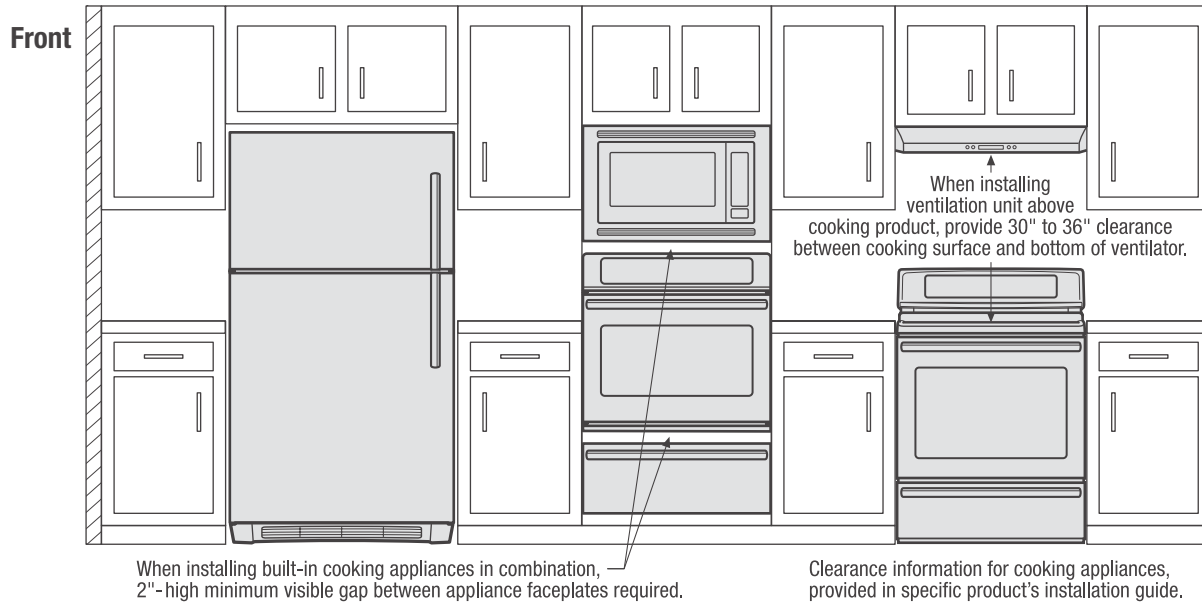


*When installing side-by-side refrigerator adjacent to wall, cabinet or another appliance that extends beyond front edge of unit, 20" minimum clearance recommended to allow for optimum 120° to 180° door swing, providing complete drawer/crisper access and removal. (Absolute 4-1/2" minimum clearance will ONLY allow for 90° door swing which will provide limited drawer/crisper access with restricted removal.)

When installing appliance with sliding drawer, swinging or drop-down door directly across from obstructions, provide sufficient clearance for drawer extension or door swings.



Use these dimensions and clearance instructions for planning purposes only. For detailed installation instructions, refer to installation guide, packed with product, or on the web at frigidaire.com.



*When installing top mount refrigerator adjacent to wall, cabinet or other appliance that extends beyond front edge of unit, 20" minimum clearance recommended to allow for optimum 140° door swing, providing complete crisper access and removal. (Absolute 3" minimum clearance will ONLY allow for 90° door swing which will provide limited crisper access with restricted removal.)



Use these dimensions and clearance instructions for planning purposes only. For detailed installation instructions, refer to installation guide, packed with product, or on the web at frigidaire.com.



*When installing French door refrigerator adjacent to wall, cabinet or another appliance that extends beyond front edge of unit, 20" minimum clearance recommended to allow for optimum 120° to 180° door swing, providing complete drawer/crisper access and removal. (Absolute 4-1/2" minimum clearance will ONLY allow for 90° door swing which will provide limited drawer/crisper access with restricted removal.)

When installing appliance with sliding drawer, swinging or drop-down door directly across from obstructions, provide sufficient clearance for drawer extension or door swings.



Use these dimensions and clearance instructions for planning purposes only. For detailed installation instructions, refer to installation guide, packed with product, or on the web at frigidaire.com.

