

AUTO WIND HOSE REEL

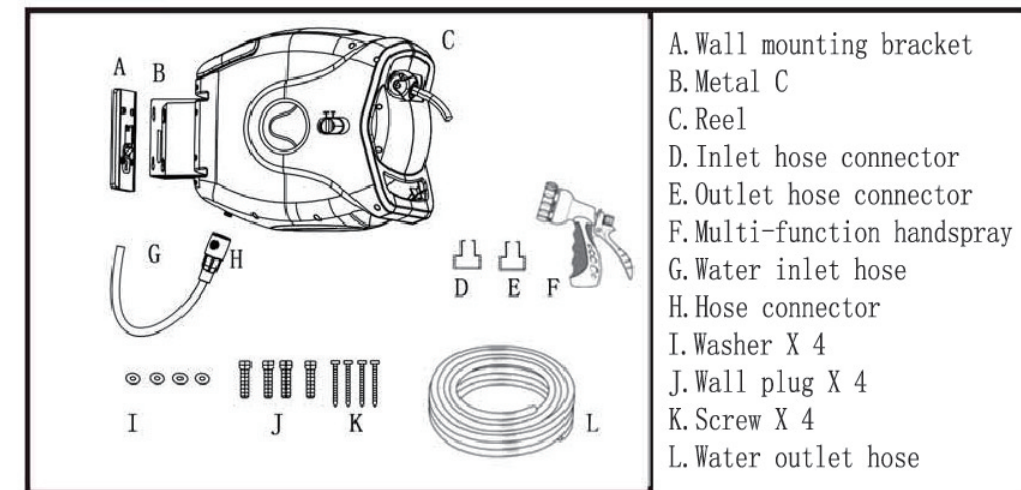
With Slow Rewind System



Installation and Operation Guide

Congratulations on your purchase of the XW Auto Wind Hose Reel. This specifically designed unit features a slow rewind system, recoiling the hose slowly and safely, with every use. Pre-assembled and ready for use, the Auto Wind Hose Reel comes complete with hose, hose end fittings, multi-function, handspray, wall mounting bracket and screws.

Contents

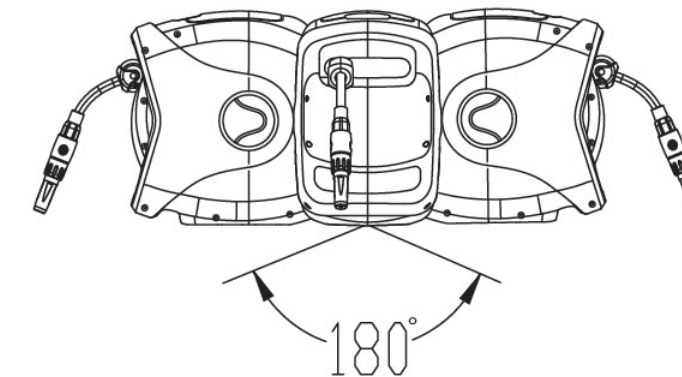
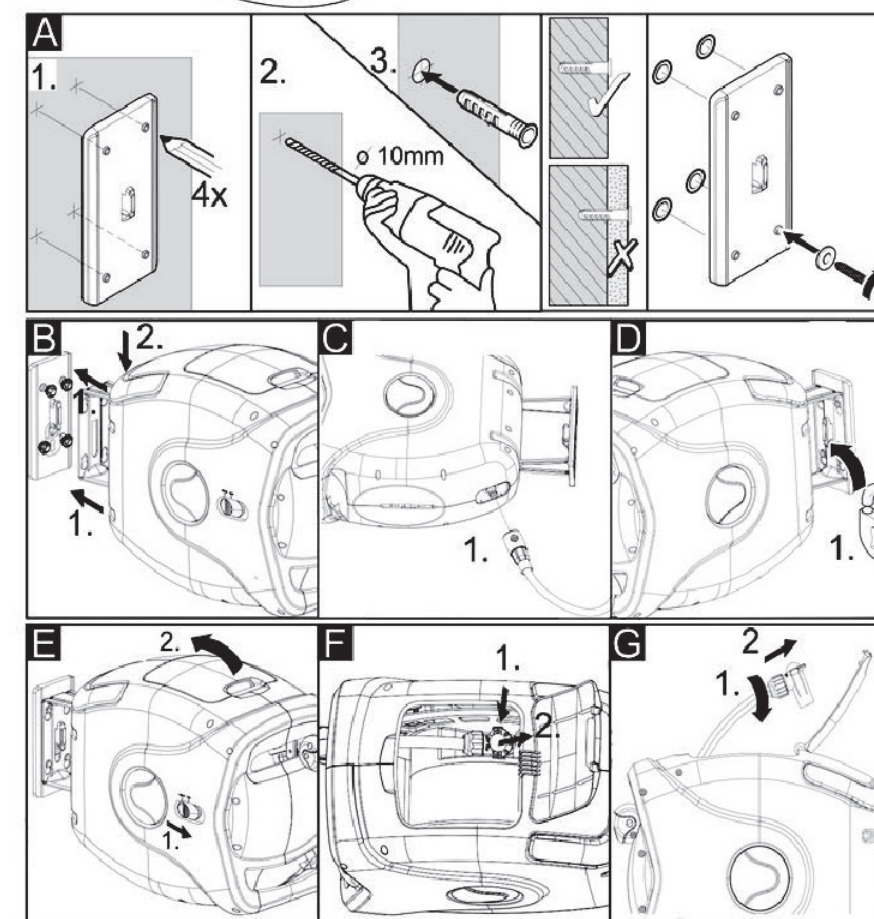
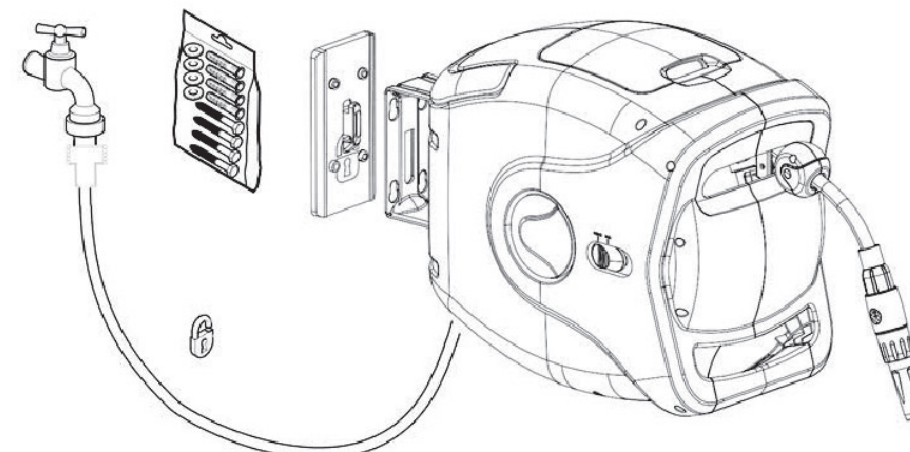


Installation Instructions

1. Select a suitable position to mount your Auto Wind Hose Reel. The Hose Reel should be mounted at approximately waist height.
2. Drilling the holes with a 12mm masonry drill bit and insert the wall plugs. Mount bracket on wall and secure with 4 screws.
3. Hanging the back of the reel with the Metal C.
4. Using the inlet hose connect the tap and the reel.

Change the hose

1. Follow the figure E, pull out the hose till the end and turn the knob to "Lock" position with the "click", then check the knob if locked the drum by double pulling the hose.
2. Follow the figure F, release the two screws before pulling out the connector.
3. Follow the figure G, dismount nut and clip from the connector before pulling out hose of the reel.
4. Repeat the above process, ensure the nut be tightened with wrench.



Instructions for Use

Now that your Auto Wind hose Reel is securely mounted and connected to the tap it is ready for use.

1. Before first use, turn the water on at the tap and unwind the hose. The hose will unwind by simply taking hold of the hose and walking away from the reel. This will allow water to flow freely through the hose and reel.
2. The automatic locking ratchet will hold the hose in place at the desired length. The mechanism will "click" as the hose is locked in place or rewound.
3. To release, pull the hose away from the reel. You will feel the hose start to rewind, walk back with the hose towards the reel. Do not simply let go of the hose.
4. When walking back to the reel, release the water pressure in the hose (through the handspray or nozzle). This will ensure full and even retraction of the hose.

Cautions

The Auto Wind Hose Reel is designed for home watering applications using cold water only. It is not intended for commercial applications.

Before use, ensure the reel is securely attached to the wall and free of obstructions.

Do not place undue force on the reel casing. Doing so may damage the casing or the bracket.

Children should not be allowed to operate or play with the Auto Wind Hose Reel. Ensure children are clear of the hose and casing when unwinding.

Always walk the hose back to the reel when rewinding.

Always turn the water off at the tap when the Auto Wind Hose Reel is not in use.

Always check the knob if it is in the right position before you change the hose.

Guarantee
This product and its components are guaranteed to be free from defects in materials or workmanship for a period of 36 months from the due date of purchase provided the product has been used in accordance with the manufacturer's recommendations. Our obligation under this guarantee is limited to the repair or replacement, at our discretion, of the product within three year from the date of purchase.

Use of this product outside of the manufacturer's recommendations or disassembling of the hose reel will void the warranty.

In the interest of better quality and value we are constantly updating our product. Consequently the pictures on the packaging, and in this installation and operation guide may differ from the model enclosed.

