

INSTRUCTION SHEET

POWERTEC®

71468 Featherboard 1 pack

71393 Featherboards 2 pack



WARNING

For your own safety, read all of the rules and precautions before operating tool.

WARNING

Always follow proper operating procedures as defined in this manual even if you are familiar with use of these featherboards or any tool used with these featherboards. Remember that being careless for even a fraction of a second can result in severe personal injury.

You must be familiar with the use of any tool or accessory used with these featherboards. The supplier cannot be held responsible for any accident, injury or damage incurred while using this featherboard with any tool.

WARNING

Some dust created by operation of power tool contains chemicals known to the State of California to cause cancer, birth defects or other reproductive harm. To reduce your exposure to these chemicals, work in a well ventilated area and work with approved safety equipment. Always wear OSHA/NIOSH approved, properly fitting face mask or respirator when using such tools.

CAUTION

Do not modify or use the featherboards for any application other than that for which it was designed.

FEATHERBOARD SAFETY RULES

- Disconnect the plug from the power source of the power tool before changing accessories, Such preventive safety measures reduce the risk of starting the power tool accidentally.
- Always keep your hands away from the cutting area.
- Assemble the featherboard(s) at least 1" (2.5 cm) from the saw blade to prevent kickback.
- Do not use the featherboard as a push block.

CAUTION

Think safety! Safety is a combination of operator common sense and alertness at all times when tool is being used.

WARNING

Do not use the featherboards until they are completely assembled and you have read and understood this entire operating manual and the operating manual of the tool being used with these featherboards.

SAVE ALL WARNINGS AND INSTRUCTIONS FOR FUTURE REFERENCE

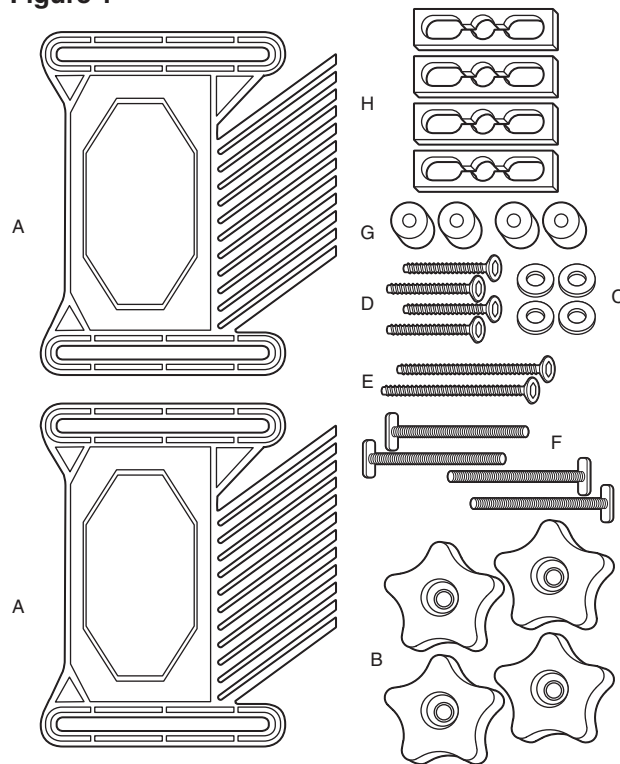
UNPACKING

Refer to Figure 1

Check for shipping damage. Check immediately whether all parts and accessories are included.

ITEM	DESCRIPTION	71468	71393
		QTY	QTY
A	Featherboard	1	2
B	Locking knobs	2	4
C	Washers 5/16"	2	4
D	Screws, 5/16"-18 x 2" long	2	4
E	Screws, 5/16"-18 x 3" long	0	2
F	T-bolts 5/16"-18 x 2-1/2" long	2	4
G	Spacers	2*	4
* NOTE: These spacers allow two 71468 Featherboard 1 packs to be used in the double stack application.			
H	Miter bar slot brackets	2	4

Figure 1



WARNING

To prevent kickback make sure the featherboard is at least 1" (2.5 cm) from the saw blade.

WARNING

ALWAYS use the power tool with all guards in place. For clarity the saw blade guard is not shown in the illustrations.

SUGGESTED MOUNTING APPLICATIONS

The **Powertec 71468 Featherboard 1 Pack** can be mounted horizontally in a standard 3/4" miter slot or vertically in a T-slotted fence.

These are a few suggested mounting applications:

- The featherboard mounted horizontally in a miter slot, see **Assemble to a Table Top** for instructions.
- The featherboard mounted horizontal in a miter slot or vertical in a T-slotted fence, see **Assemble to a T-Slotted Fence** for instructions.
- Two 71468 Featherboard 1 packs are needed for this application - Two featherboards double stacked and mounted horizontally in a miter slot, see **Assemble to a Table Top** for instructions.

The **Powertec 71393 Featherboard 2 Pack** can be mounted horizontally in a standard 3/4" miter slot or vertically in a T-slotted fence.

These are a few suggested mounting applications:

- One or two featherboards mounted horizontally in a miter slot, see **Assemble to a Table Top** for instructions.
- Two featherboards double stacked and mounted horizontally in a miter slot, see **Assemble to a Table Top** for instructions.
- One featherboard mounted horizontal in a miter slot and one featherboard mounted vertical in a T-slotted fence, see **Assemble to a T-Slotted Fence** for instructions.

ASSEMBLE TO A TABLE TOP

Refer to Figure 2, 3

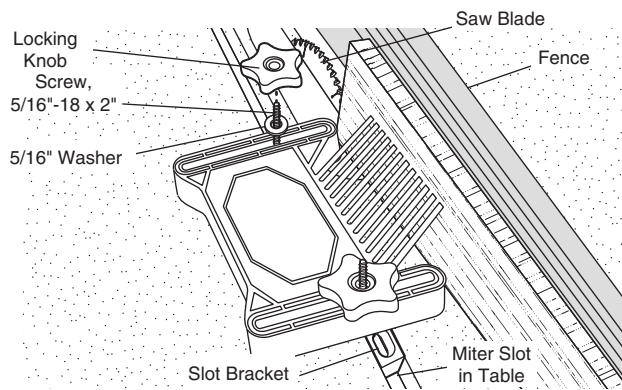
NOTE: Fits most table tops with a 3/4" miter slot.

NOTE: Mount a single featherboard for standard flat work or double stack the featherboards to support the workpiece higher up on the fence.

Single Featherboards

- Insert a 5/16"-18 x 2" long screw through the bottom of the slot bracket, the slot in featherboard, a 5/16" washer and secure with a locking knob. Do not tighten. Repeat on other side.
- Slide the slot brackets into the miter slot on the table top, position the featherboard and tighten with locking knobs.

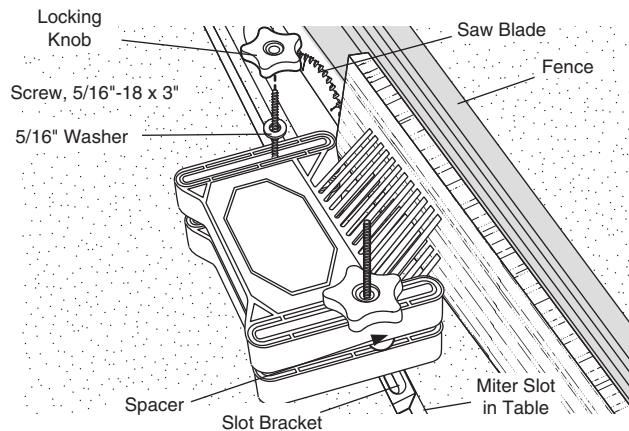
Figure 2



Double Stack Featherboards

- Insert a 5/16"-18 x 3" long screw through the bottom of the slot bracket, the slot in the bottom featherboard, a spacer, the slot in top featherboard, 5/16" washer and secure with locking knob. Do not tighten. Repeat on other side.
- Slide the slot brackets into the slot on the table top, position the featherboards and tighten with locking knobs.

Figure 3



ASSEMBLE TO T-SLOTTED FENCE

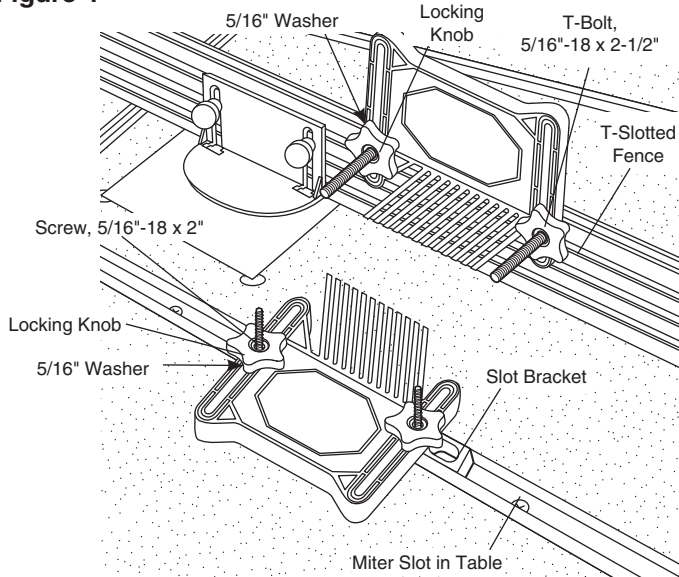
Refer to Figure 4

NOTE: Fits most T-slotted fences

NOTE: In this application the featherboards may be used single or double stacked.

- Insert a 5/16"-18 x 2-1/2" long T-Bolt through the slot in the featherboard, a 5/16" washer and secure with locking knob. Do not tighten. Repeat on other side.
NOTE: If double stacking the featherboards use the spacer in between the featherboards.
- Slide the T-Bolt into the desired slot on the T-Slotted Fence, position the featherboard(s) and tighten locking knobs.

Figure 4



Single Stack Featherboard for vertical and horizontal support

MAINTENANCE

GENERAL MAINTENANCE

▲ WARNING

When servicing, use only identical replacement parts. Use of any other parts may create a hazard or cause product damage. To ensure safety and reliability, all repairs should be performed by a qualified service technician.

▲ WARNING

Keep the featherboard dry, clean, and free from oil and grease. Always use a clean cloth when cleaning. Never use brake fluids, gasoline, petroleum based products or any strong solvent to clean the featherboard. Chemicals can damage, weaken or destroy plastic which may result in serious personal injury.

Visit us on the web at powertecproducts.com



Put these instructions and the original sales invoice in a safe, dry place for future reference.

Southern Technologies, LLC
Waukegan, IL 60087