

KOHLER®

Wellworth® Classic The Complete Solution® two-piece round-front toilet K-11464

Features

- The Complete Solution® toilets provide everything you need in one box, including bowl, tank, seat, wax ring, and floor hardware.
- Two-piece design.
- KOHLER's canister flush valve harnesses the natural force of gravity and optimizes flushing performance.
- 1.28 gpf high-efficiency toilets provide significant water savings of up to 16,500 gallons per year versus an old 3.5-gallon toilet without sacrificing performance.
- Qualifies as an HET(High-Efficiency Toilet). Consumer rebates are available in some municipalities.
- Round-front bowl.
- 2-1/8" (54 mm) fully glazed trapway.

Material

- Vitreous china.

Technology

- Class Five® flushing technology offers virtually plug-free performance and rinsing power for a clean bowl.

Installation

- Supply line sold separately.
- Floor-mount /floor outlet.
- Standard 12" (305 mm) rough-in.

Recommended Products/Accessories

K-75758 Cachet® Nightlight Quiet-Close™ Round-front toilet seat
K-5589 Purefresh® Round-Front Toilet Seat
K-5420 Low-Profile Bolt Caps
K-23726 Drain treatment

Included Components

Product consists of:

K-4436 Toilet tank, 1.28 gpf
K-4197 Round-Front Bowl
K-4775 Brevia™ Quick-Release™ Round-Front Toilet Seat

Additional Components:

Hardware kit
Tank cover
Trip lever
Wax ring



Codes/Standards

ASME A112.19.2/CSA B45.1
DOE - Energy Policy Act 1992
EPA WaterSense®
California Energy Commission (CEC)

KOHLER® Toilets and Seats Limited Warranty

See website for detailed warranty information.

Available Colors/Finishes

Color tiles intended for reference only.

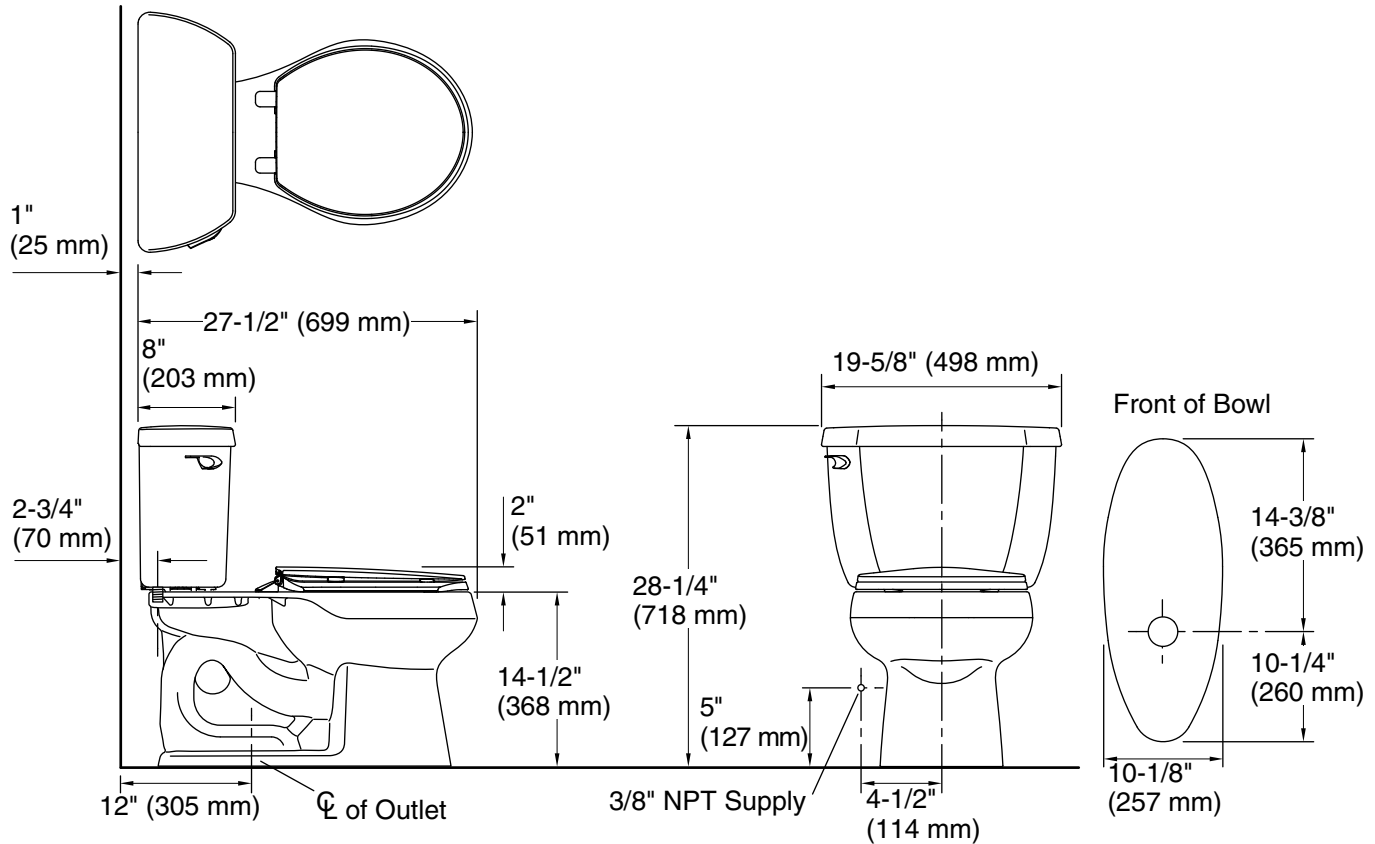
Color	Code	Description
-------	------	-------------

	0	White
---	---	-------

1-800-4KOHLER (1-800-456-4537)

Kohler Co. reserves the right to make revisions without notice to product specifications.
For the most current Specification Sheet, go to www.kohler.com.

THE BOLD LOOK
OF **KOHLER**®



Technical Information

All product dimensions are nominal.

Toilet type:	Two-piece, Floor-mount
Bowl shape:	Round-front
Trap passageway:	2-1/8" (54 mm)
Water Consumption	
Full:	1.28 gpf (4.8 lpf)
Water surface size:	10-1/2" x 7-3/4" (267 mm x 197 mm)
Rim to water surface:	5-1/4" (133 mm)
Rough-in:	12" (305 mm)
Seat-mounting holes:	5-1/2" (140 mm)

Notes

Install this product according to the installation instructions.