

DESCRIPTION

The H27ICAT housing is designed for use in shallow ceilings where 2" x 6" joist construction is used. The wide variety of trims available allows a number of different lighting effects to be created with one basic housing.

APPLICATION

The H27ICAT is designed for shallow ceilings where insulation is present. The H27ICAT housing is of AIR-TITE construction and prevents airflow between living spaces and unconditioned attic areas.

DESIGN FEATURES

A...Housing

Aluminum housing for greater heat dissipation.

B...Socket Plate

Adjustable socket plate for different lamps types and sizes.

C...Plaster Frame

Housing adjusts in plaster frame 1 3/8" to accommodate different ceiling thicknesses.

D...Junction Box

Junction box features include:

- UL listed for through branch circuit wiring
- Positioned to accommodate straight conduit runs
- Seven 1/2" trade size conduit knockouts with true pry-out slots
- Slide-N-Side™ connectors allow non-metallic sheathed cable to be installed without tools and without removing knockouts. Accepts a wider range of non-metallic sheathed cable – the standard cable types used in lighting for both U.S. and Canada.
 - Allows wiring connections to be made outside the junction box

- Simply insert the cable directly into the trap after connections are made
- accommodates the following standard non-metallic sheathed cable types:
 - (US) #14/2, #14/3, #12/2, #12/3
 - (Canada) #14/2, #14/3, #12/2

E...GOT NAIL! Pass-N-Thru™ Bar Hangers

Bar Hanger Features include:

- Pre-installed nail easily installs in regular lumber, engineered lumber and laminated beams
- Safety and guidance system prevents snagging, ensures smooth straight nail penetration and allows bar hangers to be easily removed if necessary.
- Automatic levelling flange aligns the housing and lets you hold the housing in place with one hand while driving nails
- Housing can be positioned at any point within 24" joist span
- Score lines allow "tooless" shortening for 12" joists
- Bar hangers may be repositioned 90°
- Bar hangers do not need to be removed from frame for

| | |
|-------------|------|
| Catalog # | Type |
| Project | |
| Comments | |
| Prepared by | Date |

- shortening
- Integral T-bar clips snaps onto T-bars - no additional clips required

F...Socket

Porcelain socket with nickel plated brass screw shell.

G...Thermal Protector

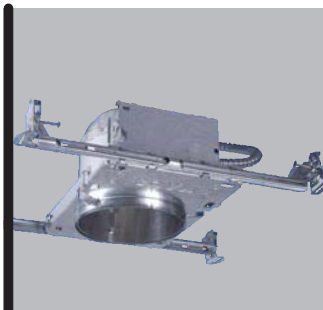
Integral Thermal Protector deactivates fixture if an incorrect lamp is used or if ceiling insulation material is not applied correctly.

Labels

- UL Listed for Damp Location
- UL listed for Feed Through
- UL listed for Direct Contact with Insulation and combustible material
- CSA Certified

Meets following requirements:

- State of California Title 24
- Washington State Energy Code
- International Energy Conservation Code (IECC)
- New York State Energy Conservation Construction Code
- Certified Under ASTM-E283



H27ICAT

**6" Insulated Ceiling
AIR-TITE Recessed
Housing**

6" TRIMS

FOR USE IN
INSULATED CEILINGS

FOR USE IN SHALLOW
CEILINGS

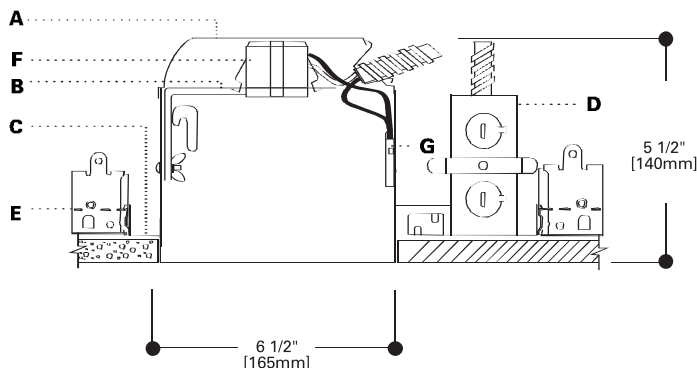


with all trims listed

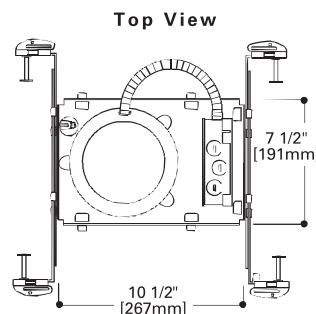


UPGRADE FEATURES:

- SLIDE-N-SIDE III™ JUNCTION BOX
- GOT NAIL!™ BAR HANGERS
- PASS-N-THRU™ BAR HANGERS
- REGRESSED LOCKING SCREW
- HALO ID ON PLASTER FRAME



Slide-N-Side III™
Junction Box



Ordering Information on reverse.

TRIMS

ORDERING INFORMATION

SAMPLE NUMBER: H27ICAT-426RG

Order housing, trim and accessories separately.

Housing



H27ICAT=6" Insulated Ceiling
AIR-TITE Shallow Housing

Trims



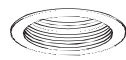
REFLECTORS



426

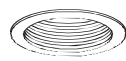
Specular Reflector Cone
75W PAR30, 65W BR30,
65W PAR30L, 50W PAR30
426=White Trim Ring, Specular Clear
426H=White Trim Ring, Haze Reflector
426RG=White Trim Ring, Residential
Gold Reflector
426CG=White Trim Ring, Champagne
Gold Reflector
426MB=White Trim Ring, Specular
Black reflector
426SN=Satin Nickel Trim Ring and
Satin Nickel Reflector
OD: 7 1/4" (184mm)

BAFFLES



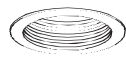
310

Baffle
65W BR30, 75W PAR30L, 50W PAR30
310P=White Trim Ring, Black Baffle
310W=White Trim Ring, White Baffle
310SN=Satin Nickel Trim Ring, Black
Baffle
OD: 7 1/4" (184mm)



312

Baffle
65W BR30, 50W PAR30
312P=Black Baffle
312W=White Baffle
OD: 7 1/4" (184mm)



353

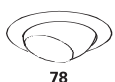
Metal Baffle
50W PAR30, 65W BR30, 75W PAR30L,
310SN=Satin Nickel Trim Ring, Black
Baffle
OD: 7 1/4" (184mm)

ADJUSTABLES



77

Eyeball
50W R20, 50W PAR20
77P=White Eyeball
OD: 8" (203mm)



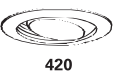
78

Eyeball - 30° Tilt
75W R30, 75W PAR30L
78P=White Eyeball
78SL=Silver Eyeball
78B=Brass Eyeball
78PB=Polished Brass Eyeball
78PAT=Polished Brass Eyeball
78SN=Satin Nickel Brass Eyeball
OD: 8" (203mm)



90

Double Bubble - 60° Tilt
150W PAR38
90P=White Double Bubble Adjustable
OD: 8" (203mm)



420

Coilex Regressed Eyeball
50W PAR30, 50W PAR30L, 60W BR30
420P=Black Baffle, White Eyeball
420PB=Black Baffle, Polished Brass
Eyeball
420W=White Baffle, White Eyeball
OD: 7 1/4" (184mm)

OPEN



300

Open
65W BR30, 75W PAR30
300P=White Open
300SN=Satin Nickel Open
OD: 7 1/4" (184mm)



328

White Splay Trim
65W BR30, 75W PAR30L, 50W PAR30
328P=White Splay
OD: 7 3/4" (197mm)

Drop Opal with Reflector Cone

LENS



171

40W A19
171P=Drop Opal
171PS=Drop Opal Shower Light
OD: 7 1/4" (184mm)



172

Shower Light
60W A19, 50W PAR30
172PS=White Trim Ring
172SN=Satin Nickel Trim Ring
OD: 7 3/4" (197mm)

Accessories

Metal Trim Rings

Compatible with 310, 312, 420, 426

- TRM6P=White Metal
- TRM6PB=Polished Brass
- TRM6C=Chrome
- TRM6MB=Black Metal
- TRM6SL=Silver Metal
- TRP7MB=Black Plastic
- TRP6SN=Satin nickel

Oversize Trim Rings

For use when ceiling opening is cut too large. Compatible with 310, 312, 420, 426

- OT400P=9 1/4" White Metal
- OT403P=8" White Plastic

Step Down Transformer

Steps 277V line voltage down to 120V fixture operating voltage. 150VA max. H277=150VA Max.

Note: Specifications and Dimensions subject to change without notice.

Visit our web site at www.cooperlighting.com