



# OPERATOR'S MANUAL

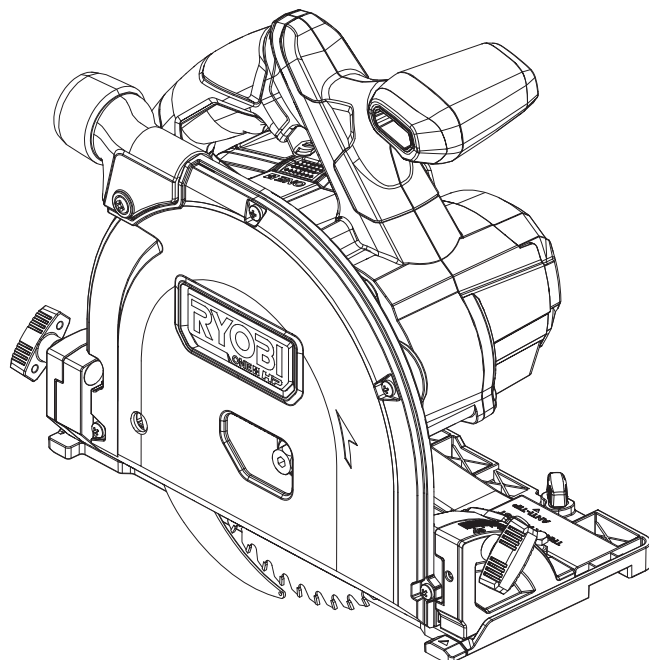
MANUEL D'UTILISATION  
MANUAL DEL OPERADOR

BRUSHLESS 6-1/2 in. TRACK SAW

SCIE À RAIL SANS BALAI  
DE 16,51 cm (6-1/2 po)

SIERRA DE RIEL SIN ESCOBILLAS DE  
16,51 cm (6-1/2 pulg.)

PTS01



**INCLUDES:** Track Saw, 6-1/2 in. Blade, 27.5 in. Track (2), Riving Knife, Track Clamp, Blade Wrench, Track Wrench, Operator's Manual

**INCLUT :** Scie à rail, lame de 165 mm (6-1/2 po), rails de 69,85 cm (27,5 po) [2], couteau diviseur, pince à rail, clé à lame, clé à rail, manuel d'utilisation

**INCLUYE:** Sierra de riel, hoja de 165 mm (6-1/2 pulg.), rieles de 69,85 cm (27,5 pulg.) [2], hoja separadora, abrazadera de riel, llave de hoja, llave de riel, manual del operador

## TABLE OF CONTENTS

\*\*\*\*\*

- General Power Tool Safety Warnings .....2-3
- Track Saw Safety Warnings.....3-4
- Symbols.....5
- Features.....6
- Assembly.....6-8
- Operation.....8-14
- Adjustments .....14-15
- Accessories .....16
- Maintenance.....16
- Illustrations .....17-25
- Parts Ordering/Service ..... Back Page

## TABLE DES MATIÈRES

\*\*\*\*\*

- Avertissements de sécurité relatives aux outils électriques .....2-3
- Avertissements de sécurité relatifs au scie à rail .....3-4
- Symboles.....5
- Caractéristiques .....6
- Assemblage.....6-8
- Utilisation.....8-14
- Réglages.....14-15
- Accessoires .....16
- Entretien .....16
- Illustrations .....17-25
- Commande de pièces/ réparation.....Page arrière

## ÍNDICE DE CONTENIDO

\*\*\*\*\*

- Advertencias de seguridad para herramientas eléctricas.....2-3
- Advertencias de seguridad sierra de riel .....3-4
- Símbolos .....5
- Características .....6
- Armado.....6-8
- Funcionamiento.....8-14
- Ajustes.....14-15
- Accesorios.....16
- Mantenimiento.....16
- Ilustraciones .....17-25
- Pedidos de piezas/ servicio..... Pág. posterior

**⚠ WARNING:** To reduce the risk of injury, the user must read and understand the operator's manual before using this product.

**⚠ AVERTISSEMENT :** Pour réduire les risques de blessures, l'utilisateur doit lire et veiller à bien comprendre le manuel d'utilisation avant d'employer ce produit.

**⚠ ADVERTENCIA:** Para reducir el riesgo de lesiones, el usuario debe leer y comprender el manual del operador antes de usar este producto.

**SAVE THIS MANUAL FOR FUTURE REFERENCE**

**CONSERVER CE MANUEL POUR FUTURE RÉFÉRENCE**

**GUARDE ESTE MANUAL PARA FUTURAS CONSULTAS**

# GENERAL POWER TOOL SAFETY WARNINGS

## WARNING:

**Read all safety warnings, instructions, illustrations and specifications provided with this power tool.**

Failure to follow all instructions listed below may result in electric shock, fire and/or serious injury.

**Save all warnings and instructions for future reference.** The term “power tool” in the warnings refers to your mains-operated (corded) power tool or battery-operated (cordless) power tool.

## WORK AREA SAFETY

- **Keep work area clean and well lit.** Cluttered or dark areas invite accidents.
- **Do not operate power tools in explosive atmospheres, such as in the presence of flammable liquids, gases or dust.** Power tools create sparks which may ignite the dust or fumes.
- **Keep children and bystanders away while operating a power tool.** Distractions can cause you to lose control.

## ELECTRICAL SAFETY

- **Power tool plugs must match the outlet. Never modify the plug in any way. Do not use any adapter plugs with earthed (grounded) power tools.** Unmodified plugs and matching outlets will reduce risk of electric shock.
- **Avoid body contact with earthed or grounded surfaces, such as pipes, radiators, ranges and refrigerators.** There is an increased risk of electric shock if your body is earthed or grounded.
- **Do not expose power tools to rain or wet conditions.** Water entering a power tool will increase the risk of electric shock.
- **Do not abuse the cord. Never use the cord for carrying, pulling or unplugging the power tool. Keep cord away from heat, oil, sharp edges or moving parts.** Damaged or entangled cords increase the risk of electric shock.
- **When operating a power tool outdoors, use an extension cord suitable for outdoor use.** Use of a cord suitable for outdoor use reduces the risk of electric shock.
- **If operating a power tool in a damp location is unavoidable, use a ground fault circuit interrupter (GFCI) protected supply.** Use of a GFCI reduces the risk of electric shock.
- **Use this product only with batteries and chargers listed in tool/appliance/battery pack/charger correlation supplement 987000-432.**

## PERSONAL SAFETY

- **Stay alert, watch what you are doing and use common sense when operating a power tool. Do not use a power tool while you are tired or under the influence of drugs, alcohol or medication.** A moment of inattention while operating power tools may result in serious personal injury.

- **Use personal protective equipment. Always wear eye protection.** Protective equipment such as dust mask, non-skid safety shoes, hard hat, or hearing protection used for appropriate conditions will reduce personal injuries.
- **Prevent unintentional starting. Ensure the switch is in the off-position before connecting to power source and/or battery pack, picking up or carrying the tool.** Carrying power tools with your finger on the switch or energizing power tools that have the switch on invites accidents.
- **Remove any adjusting key or wrench before turning the power tool on.** A wrench or a key left attached to a rotating part of the power tool may result in personal injury.
- **Do not overreach. Keep proper footing and balance at all times.** This enables better control of the power tool in unexpected situations.
- **Dress properly. Do not wear loose clothing or jewelry. Keep your hair, clothing and gloves away from moving parts.** Loose clothes, jewelry or long hair can be caught in moving parts.
- **If devices are provided for the connection of dust extraction and collection facilities, ensure these are connected and properly used.** Use of dust collection can reduce dust-related hazards.
- **Do not let familiarity gained from frequent use of tools allow you to become complacent and ignore tool safety principles.** A careless action can cause severe injury within a fraction of a second.
- **Do not wear loose clothing or jewelry.** Contain long hair. Loose clothes, jewelry, or long hair can be drawn into air vents.
- **Do not use on a ladder or unstable support.** Stable footing on a solid surface enables better control of the power tool in unexpected situations.

## POWER TOOL USE AND CARE

- **Do not force the power tool. Use the correct power tool for your application.** The correct power tool will do the job better and safer at the rate for which it was designed.
- **Do not use the power tool if the switch does not turn it on and off.** Any power tool that cannot be controlled with the switch is dangerous and must be repaired.
- **Disconnect the plug from the power source and/or remove the battery pack, if detachable, from the power tool before making any adjustments, changing accessories, or storing power tools.** Such preventive safety measures reduce the risk of starting the power tool accidentally.
- **Store idle power tools out of the reach of children and do not allow persons unfamiliar with the power tool or these instructions to operate the power tool.** Power tools are dangerous in the hands of untrained users.
- **Maintain power tools and accessories. Check for misalignment or binding of moving parts, breakage of parts and any other condition that may affect the power tool's operation. If damaged,**

# GENERAL POWER TOOL SAFETY WARNINGS

have the power tool repaired before use. Many accidents are caused by poorly maintained power tools.

- **Keep cutting tools sharp and clean.** Properly maintained cutting tools with sharp cutting edges are less likely to bind and are easier to control.
- **Use the power tool, accessories and tool bits etc. in accordance with these instructions, taking into account the working conditions and the work to be performed.** Use of the power tool for operations different from those intended could result in a hazardous situation.
- **Keep handles and grasping surfaces dry, clean and free from oil and grease.** Slippery handles and grasping surfaces do not allow for safe handling and control of the tool in unexpected situations.

## BATTERY TOOL USE AND CARE

- **Recharge only with the charger specified by the manufacturer.** A charger that is suitable for one type of battery pack may create a risk of fire when used with another battery pack.
- **Use power tools only with specifically designated battery packs.** Use of any other battery packs may create a risk of injury and fire.
- **When battery pack is not in use, keep it away from other metal objects, like paper clips, coins, keys, nails, screws or other small metal objects, that can make a**

**connection from one terminal to another.** Shorting the battery terminals together may cause burns or a fire.

- **Under abusive conditions, liquid may be ejected from the battery; avoid contact. If contact accidentally occurs, flush with water. If liquid contacts eyes, additionally seek medical help.** Liquid ejected from the battery may cause irritation or burns.
- **Do not use a battery pack or tool that is damaged or modified.** Damaged or modified batteries may exhibit unpredictable behavior resulting in fire, explosion or risk of injury.
- **Do not expose a battery pack or tool to fire or excessive temperature.** Exposure to fire or temperature above 265° F may cause explosion.
- **Follow all charging instructions and do not charge the battery pack or tool outside the temperature range specified in the instructions.** Charging improperly or at temperatures outside the specified range may damage the battery and increase the risk of fire.

## SERVICE

- **Have your power tool serviced by a qualified repair person using only identical replacement parts.** This will ensure that the safety of the power tool is maintained.
- **Never service damaged battery packs.** Service of battery packs should only be performed by the manufacturer or authorized service providers.

# TRACK SAW SAFETY WARNINGS

## CUTTING PROCEDURES

### DANGER:

**Keep hands away from cutting area and the blade. Keep your second hand on auxiliary handle, or motor housing. If both hands are holding the saw, they cannot be cut by the blade.**

- **Do not reach underneath the workpiece.** The guard cannot protect you from the blade below the workpiece.
- **Adjust the cutting depth to the thickness of the workpiece.** Less than a full tooth of the blade teeth should be visible below the workpiece.
- **Never hold the workpiece in your hands or across your leg while cutting. Secure the workpiece to a stable platform.** It is important to support the work properly to minimise body exposure, blade binding, or loss of control.

- **Hold the power tool by insulated gripping surfaces, when performing an operation where the cutting tool may contact hidden wiring.** Contact with a “live” wire will also make exposed metal parts of the power tool “live” and could give the operator an electric shock.
- **When ripping, always use a rip fence or straight edge guide.** This improves the accuracy of cut and reduces the chance of blade binding.
- **Always use blades with correct size and shape (diamond versus round) of arbour holes.** Blades that do not match the mounting hardware of the saw will run off-centre, causing loss of control.
- **Never use damaged or incorrect blade washers or bolt.** The blade washers and bolt were specially designed for your saw, for optimum performance and safety of operation.

# TRACK SAW SAFETY WARNINGS

## KICKBACK CAUSES AND RELATED WARNINGS

- Kickback is a sudden reaction to a pinched, jammed or misaligned saw blade, causing an uncontrolled saw to lift up and out of the workpiece toward the operator;
- When the blade is pinched or jammed tightly by the kerf closing down, the blade stalls and the motor reaction drives the unit rapidly back toward the operator;
- If the blade becomes twisted or misaligned in the cut, the teeth at the back edge of the blade can dig into the top surface of the wood causing the blade to climb out of the kerf and jump back toward the operator.

Kickback is the result of saw misuse and/or incorrect operating procedures or conditions and can be avoided by taking proper precautions as given below.

- **Maintain a firm grip with both hands on the saw and position your arms to resist kickback forces. Position your body to either side of the blade, but not in line with the blade.** Kickback could cause the saw to jump backwards, but kickback forces can be controlled by the operator, if proper precautions are taken.
- **When blade is binding, or when interrupting a cut for any reason, release the trigger and hold the saw motionless in the material until the blade comes to a complete stop. Never attempt to remove the saw from the work or pull the saw backward while the blade is in motion or kickback may occur.** Investigate and take corrective actions to eliminate the cause of blade binding.
- **When restarting a saw in the workpiece, centre the saw blade in the kerf so that the saw teeth are not engaged into the material.** If a saw blade binds, it may walk up or kickback from the workpiece as the saw is restarted.
- **Support large panels to minimise the risk of blade pinching and kickback.** Large panels tend to sag under their own weight. Supports must be placed under the panel on both sides, near the line of cut and near the edge of the panel.
- **Do not use dull or damaged blades.** Unsharpened or improperly set blades produce narrow kerf causing excessive friction, blade binding and kickback.
- **Blade depth and bevel adjusting locking levers must be tight and secure before making the cut.** If blade adjustment shifts while cutting, it may cause binding and kickback.
- **Use extra caution when sawing into existing walls or other blind areas.** The protruding blade may cut objects that can cause kickback.

## GUARD FUNCTION




- **Check the guard for proper closing before each use. Do not operate the saw if the guard does not move freely and enclose the blade instantly. Never clamp or tie the guard so that the blade is exposed.** If the saw is accidentally dropped, the guard may be bent. Check to make sure that the guard moves freely and does not touch the blade or any other part, in all angles and depths of cut.
- **Check the operation and condition of the guard return spring. If the guard and the spring are not operating properly, they must be serviced before use.** The guard may operate sluggishly due to damaged parts, gummy deposits, or a build-up of debris.
- **Assure that the base plate of the saw will not shift while performing a “plunge cut”.** Blade shifting sideways will cause binding and likely kick back.
- **Always observe that the guard is covering the blade before placing the saw down on bench or floor.** An unprotected, coasting blade will cause the saw to walk backwards, cutting whatever is in its path. Be aware of the time it takes for the blade to stop after the switch is released.
- **Do not use abrasive wheels with this saw.**
- **Use clamps or other practical way to secure and support the workpiece to a stable platform.** Holding the work by hand or against your body is unstable and may lead to loss of control.

## RIVING KNIFE FUNCTION








- **Use the appropriate saw blade for the riving knife.** For the riving knife to function, the body of the blade must be thinner than the riving knife and the cutting width of the blade must be wider than the thickness of the riving knife.
- **Adjust the riving knife as described in this instruction manual.** Incorrect spacing, positioning and alignment can make the riving knife ineffective in preventing kickback.
- **Always use the riving knife, except when plunge cutting.** The riving knife must be replaced after plunge cutting. The riving knife causes interference during plunge cutting and can create kickback.
- **For the riving knife to work, it must be engaged in the workpiece.** The riving knife is ineffective in preventing kickback during short cuts.
- **Do not operate the saw if the riving knife is bent.** Even a light interference can slow the closing rate of a guard.
- **Use the appropriate saw blade for the riving knife.** For the riving knife to function properly, the body of the saw blade must be thicker than 1.0 mm and the cutting width of the saw blade must be wider than 1.4 mm.

# SYMBOLS

The following signal words and meanings are intended to explain the levels of risk associated with this product.

SYMBOL	SIGNAL	MEANING
	<b>DANGER:</b>	Indicates a hazardous situation, which, if not avoided, will result in death or serious injury.
	<b>WARNING:</b>	Indicates a hazardous situation, which, if not avoided, could result in death or serious injury.
	<b>CAUTION:</b>	Indicates a hazardous situation, that, if not avoided, may result in minor or moderate injury.
	<b>NOTICE:</b>	(Without Safety Alert Symbol) Indicates information considered important, but not related to a potential injury (e.g. messages relating to property damage).

Some of the following symbols may be used on this product. Please study them and learn their meaning. Proper interpretation of these symbols will allow you to operate the product better and safer.

SYMBOL	NAME	DESIGNATION/EXPLANATION
	Safety Alert	Indicates a potential personal injury hazard.
	Read Operator's Manual	To reduce the risk of injury, user must read and understand operator's manual before using this product.
	Eye Protection	Always wear eye protection with side shields marked to comply with ANSI Z87.1.
	Wet Conditions Alert	Do not expose to rain or use in damp locations.
	No Hands Symbol	Failure to keep your hands away from the blade will result in serious personal injury.
	Recycle Symbol	This product uses lithium-ion (Li-ion) batteries. Local, state or federal laws may prohibit disposal of batteries in ordinary trash. Consult your local waste authority for information regarding available recycling and/or disposal options.
	Direct Current	Type or a characteristic of current
$n_0$	No Load Speed	Rotational speed, at no load
.../min	Per Minute	Revolutions, strokes, surface speed, orbits etc., per minute
V	Volts	Voltage
min	Minutes	Time

# FEATURES

## PRODUCT SPECIFICATIONS

Motor.....	18 V DC
Blade Diameter.....	6-1/2 in.
Blade Arbor.....	5/8 in.
Track Size.....	27.5 in. each
Bevel Capacity.....	-1° to 48°
No Load Speed.....	4,300/min (RPM)

Cutting Depth at 0°	
with track.....	1-15/16 in.
without track.....	2-1/8 in.
Cutting Depth at 45°	
with track.....	1-7/16 in.
without track.....	1-9/16 in.

# ASSEMBLY

## UNPACKING

This product requires assembly.

- Carefully remove the product and any accessories from the box. All items listed in the **Includes** section must be included at the time of purchase.

### **WARNING:**

Items in this *Assembly* section are not assembled to the product by the manufacturer and require customer installation. Use of a product that may have been improperly assembled could result in serious personal injury.

- This saw has been shipped with a tie-wrap securing it in the plunge position. To release the saw, push down on the top of the front handle, cut the tie-wrap, and slowly allow the saw to raise to its fully raised position.

### **WARNING:**

The saw's body is spring loaded. Hold the front handle down to prevent it from snapping up when cutting the tie-wrap. Failure to do so could result in possible serious injury.

- Inspect the product carefully to make sure no breakage or damage occurred during shipping.
- Do not discard the packing material until you have carefully inspected and satisfactorily operated the product.
- If any parts are damaged or missing, please call 1-800-525-2579 for assistance.

### **WARNING:**

If any parts are damaged or missing do not operate this product until the parts are replaced. Use of this product with damaged or missing parts could result in serious personal injury.

### **WARNING:**

Do not attempt to modify this product or create accessories not recommended for use with this product. Any such alteration or modification is misuse and could result in a hazardous condition leading to possible serious personal injury.

### **WARNING:**

To prevent accidental starting that could cause serious personal injury, always remove the battery pack from the product when assembling parts.

## INSTALLING THE BLADE

See Figures 1 - 4, page 18.

### **WARNING:**

A 6-1/2 in. blade is the maximum blade capacity of the saw. Never use a blade that is too thick to allow outer blade washer to engage with the flats on the spindle. Larger blades will come in contact with the blade guard, while thicker blades will prevent blade screw from securing blade on spindle. Either of these situations could result in a serious accident.

- Remove the battery pack from the saw.
- Remove the blade wrench from the storage area.  
**NOTE:** Two wrenches are included with the saw, a small one for the track and a large one for the blade.
- Place the plunge depth control lever in the blade change position.
- Depress the lock-off button.
- Grasp the front handle and apply downward pressure to lower and expose the blade screw. Continue pressing down to lower the saw to its fully lowered position.

# ASSEMBLY

- Slowly allow the front handle to rise until the saw locks in the blade change position. In this position, the saw cannot be lowered or raised.
- Place the saw on its side with the spindle facing up.
- Depress and hold the spindle lock button and remove the blade screw and outer blade washer.

**NOTE:** Turn the blade screw counterclockwise to remove.

## **NOTICE:**

To prevent damage to the spindle or spindle lock, always allow motor to come to a complete stop before engaging spindle lock.

**NOTE:** Do not run the saw with spindle lock engaged.

- Wipe a drop of oil onto the inner blade washer and outer blade washer where they contact the blade.



## **WARNING:**

If inner blade washer has been removed, replace it before placing blade on spindle. Failure to do so could cause an accident since blade will not tighten properly.

- Fit the blade inside the slot in the base and onto the spindle.
- Replace the outer blade washer.
- Depress and hold the spindle lock button, then replace the blade screw. Tighten the blade screw securely by turning it clockwise.
- Return the blade wrench to the storage area.
- Place the saw in the upright position and move the plunge depth control lever to the scoring or plunge cut position before attempting a cut.

**NOTE:** Never use a blade that is too thick to allow the outer blade washer to engage with the flats on the spindle.

## **REMOVING THE BLADE**

*See Figures 1 - 4, page 18.*

- Remove the battery pack from the saw.
- Remove the blade wrench from the storage area.  
**NOTE:** Two wrenches are included with the saw, a small one for the track and a large one for the blade.
- Place the plunge depth control lever in the blade change position.
- Lock the saw in the blade change position as previously described.

**NOTE:** When the saw is lowered into the blade change position, a portion of the blade and riving knife extend beyond the base. Ensure the saw is positioned to provide adequate clearance before putting it in the blade change position.

- Position the saw on its side as shown, depress the spindle lock button, and remove the blade screw by turning it counterclockwise.
- Remove the outer blade washer.
- Carefully push the back of the blade up and off of the spindle.
- Remove the blade by sliding it out of the slot in the base.

## **INSTALL/REMOVE THE RIVING KNIFE**

*See Figure 5, page 19.*



## **WARNING:**

Only remove the riving knife for non-through cuts and pocket cuts. Removing the riving knife for any other cuts may result in kickback and possible serious personal injury.

- Remove the battery pack from the saw.
  - Remove the blade wrench from the storage area.  
**NOTE:** Two wrenches are included with the saw, a small one for the track and a large one for the blade.
  - Place the plunge depth control lever in the blade change position.
  - Lock the saw in the blade change position as previously described.
  - Locate the screw inside the hole at the back of the blade cover.
  - Insert the blade wrench into the hole and loosen several turns but **do not remove** the screw by turning it in a counterclockwise direction.
  - Slide the riving knife inside the guard and carefully align the slot in the knife with the stud inside the blade guard.  
**NOTE:** Insert the riving knife completely into the guard until it stops to make sure it is securely in position.  
**NOTE:** When correctly installed, the riving knife should be 5 mm from the blade. If necessary, loosen the screw and reposition the riving knife.
  - Tighten the screw securely by turning it clockwise.
  - Return the blade wrench to the storage area.
  - Place the saw in the upright position and move the plunge depth control lever to the scoring or plunge cut position before attempting a cut.
- To remove the riving knife:**
- Remove the battery pack from the saw.
  - Remove the blade wrench from the storage area.
  - Loosen but **do not remove** the screw by turning it in a counterclockwise direction.
  - Remove the riving knife.
  - Tighten the screw securely by turning it clockwise.

# ASSEMBLY

## ASSEMBLING TRACKS

See Figures 6 - 7, page 19.

Tracks can be used individually or assembled together to fit the size of your project. Before use, all tracks should be assembled and properly aligned, and the rubber cut strip should be cut.

### To assemble tracks:

- Place the tracks upside down on a flat, level work space.  
**NOTE:** Two tracks are provided with the saw. One has a connector preinstalled and the other does not.
- Using the track wrench, loosen the screws securing the connector to the track.  
**NOTE:** Two wrenches are included with the saw, a small one for the track and a large one for the blade.
- Align the tracks and slide the connector across the joint and into the slot of the next track. Place the connector

approximately half way into each track and tighten the screws to secure one side.

**NOTE:** The tracks are machined to fit together tightly along the ends. However, before tightening the remaining screws, place a 12 in. or longer straight edge, carpenter's square or level along the long edges to make sure the pieces are perfectly aligned. Skipping this step could compromise the accuracy of the saw's performance.

- Align the long ends of both tracks against the straight edge, carpenter's square or level. Holding both pieces together, tighten the remaining screws to secure the connector.

**NOTE:** After tightening the screws, check again with the straight edge to ensure the tracks are perfectly aligned.

**Each track has a rubber cut strip running along the edge. Before cutting a workpiece using the track, the rubber cut strip must be trimmed away. Refer to "Using the Track" in the Operations section.**

# OPERATION

## WARNING:

Do not allow familiarity with products to make you careless. Remember that a careless fraction of a second is sufficient to inflict serious injury.

## WARNING:

Always remove battery pack from the tool when you are assembling parts, making adjustments, cleaning, or when not in use. Removing battery pack will prevent accidental starting that could cause serious personal injury.

## WARNING:

Always wear eye protection with side shields marked to comply with ANSI Z87.1. Failure to do so could result in objects being thrown into your eyes and other possible serious injuries.

## WARNING:

Do not use any attachments or accessories not recommended by the manufacturer of this product. The use of attachments or accessories not recommended can result in serious personal injury.

## APPLICATIONS

You may use this product for the purposes listed below:

- Cutting all types of wood products (lumber, plywood, paneling, composition board, and hard wood)

## WARNING:

Never use abrasive cut-off wheels of any kind with this saw. Use of non wood cutting blades can result in property damage or serious personal injury.

## INSTALLING/REMOVING BATTERY PACK

See Figure 8, page 19.

- Insert the battery pack into the product as shown.
- Make sure the latches on each side of the battery pack snap in place and that battery pack is secured in the product before beginning operation.
- Depress the latches to remove the battery pack.

For complete charging instructions, see the operator's manuals for your battery pack and charger.

## WARNING:

Battery tools are always in operating condition. Lock the switch when not in use or carrying at your side, when installing or removing the battery pack, and when installing or removing blades and accessories.



# OPERATION

## KICKBACK

See Figures 9 - 13, pages 19 - 20.

Kickback occurs when the blade stalls rapidly and the saw is driven back towards you. Blade stalling is caused by any action which pinches the blade in the wood.

### DANGER:

Release switch immediately if blade binds or saw stalls. Kickback could cause you to lose control of the saw. Loss of control can lead to serious injury.

### To guard against kickback, avoid dangerous practices such as the following:

- Setting blade depth incorrectly.
- Sawing into knots or nails in workpiece.
- Twisting the blade while making a cut.
- Making a cut with a dull, gummed up, or improperly set blade.
- Supporting the workpiece incorrectly.
- Forcing a cut.
- Cutting warped or wet lumber.
- Operating the tool incorrectly or misusing the tool.
- Rapidly plunging the blade into the workpiece.

### To lessen the chance of kickback, follow these safety practices:

- Keep the blade at the correct depth setting. The depth setting should not exceed 1/4 in. below the material being cut.
- Inspect the workpiece for knots or nails before cutting. Never saw into a knot or nail.
- Make straight cuts. Always use a straight edge guide when rip cutting. This helps prevent twisting the blade.
- Use clean, sharp, and properly set blades. Never make cuts with dull blades.
- Support the workpiece properly before beginning a cut.
- Use steady, even pressure when making a cut. Never force a cut.
- Do not cut warped or wet lumber.
- Hold the saw firmly with both hands and keep your body in a balanced position so as to resist the forces if kickback should occur.
- When performing pocket cuts, allow the blade to reach full speed then apply slow, even downward pressure to guide the blade into the workpiece.

### WARNING:

When using the saw, always stay alert and exercise control. Do not remove the saw from the workpiece while the blade is moving.

## PLUNGE DEPTH CONTROL LEVER

See Figures 14 - 15, page 20.

The saw is equipped with a plunge depth control lever that limits the downward movement of the saw for different operations. The lever has three settings. One for changing the blade, one for scoring material, and one for making plunge cuts.

### Blade change position

Placing the lever in this position will allow you to lock the saw in a lowered position with the blade screw visible through the window in the guard.

### Scoring position:

With the lever in the scoring position, the downward travel of the blade is limited to approximately 1/4 in. depth of cut. Perform a cut with the blade at this depth to score the workpiece.

**NOTE:** The riving knife must be removed for this cut.

**NOTE:** To reduce the risk of splintering, always make a score cut before cutting through laminated or veneer faced plywood or composite materials.

### Plunge cut position:

Move the lever to the plunge cut position to make deep cuts and through cuts. When the lever is in this position, the blade can be lowered to the full depth of cut.

**NOTE:** When the lever is in the plunge cut position, use the depth lock knob to control blade depth. The correct blade depth setting for all cuts should not exceed 1/4 in. below the material being cut.

## ATTACHING THE SAW TO A VACUUM

See Figure 16, page 20.

When cutting for an extended period of time, you can easily attach a vacuum hose to the dust exhaust port of the saw.

- Remove the battery.
- Attach the vacuum hose to the dust exhaust port on the saw.

**NOTE:** The vacuum hose will fit inside or outside the dust exhaust port. The saw will accept a standard 1-7/8 in. and 1-1/4 in. vacuum connection.

- Reinstall the battery pack.

## LOWERING AND RAISING THE BLADE AND RIVING KNIFE

See Figure 16, page 20.

### To lower the blade:

- Depress the lock-off button.
- Grasp the front handle and apply downward pressure to lower and expose the blade and riving knife (if installed).

**NOTE:** Maintain downward pressure to keep the blade in a lowered position.

# OPERATION

## To raise the cutting blade:

- Slowly allow the front handle to rise until the blade and riving knife (if installed) are completely inside of the guard and the saw is in the locked position.

## USING THE DEPTH LOCK KNOB

See Figure 17, page 21.

Always keep correct blade depth setting. The correct blade depth setting for all cuts should not exceed 1/4 in. below the material being cut. More blade depth will increase the chance of kickback and cause the cut to be rough. For more depth of cut accuracy, a scale is located on the guard.

- Remove the battery pack.
- Loosen the depth lock knob.
- Determine the desired depth of cut.
- Move the depth lock knob up or down to align the depth of cut indicator with the desired depth setting.
- Tighten the depth lock knob.

## SAW BLADES

The best of saw blades will not cut efficiently if they are not kept clean, sharp, and properly set. Using a dull blade will place a heavy load on the saw and increase the danger of kickback. Keep extra blades on hand, so that sharp blades are always available.

Gum and wood pitch hardened on blades will slow the saw down. Remove saw blade from the saw and use gum and pitch remover, hot water, or kerosene to remove these accumulations. **DO NOT USE GASOLINE.**

## STARTING/STOPPING THE SAW

See Figure 18, page 21.

### **WARNING:**

Always check that the spindle lock button is fully released before switching on the tool.

## To start the saw:

- Install the battery pack.
- Depress the lock-off button.
- Depress the switch trigger.

Always let the blade reach full speed, then guide the saw into the workpiece.

### **WARNING:**

The blade coming in contact with the workpiece before it reaches full speed or plunging the saw too quickly into the workpiece could cause the saw to “kickback” towards you resulting in serious injury. Maintain a firm grip with both hands on the saw and position your arms to resist kickback forces.

## To stop the saw: release the switch trigger.

After you release the switch trigger, allow the blade to come to a complete stop. Slowly allow the front handle to rise until the blade is completely inside of the guard and the saw is in the locked position. **Do not remove the saw from the workpiece while the blade is moving.**

## LOCK-OFF BUTTON

See Figure 18, page 21.

The lock-off button reduces the possibility of accidental starting. The lock-off button is located on the handle above the switch trigger. The lock-off button must be depressed before you pull the switch trigger. The lock resets each time the trigger is released.

When the saw is raised to its uppermost position it will be locked in that position. Depress the lock-off button to unlock the saw.

## USING THE TRACK

See Figures 19 - 26, pages 21 and 22.

The saw can be used with or without a track. To use the saw with a track, secure the track to a workpiece then attach the saw to the track. If you are using multiple tracks, assemble and secure the tracks together as described in the *Assembly* section.

### **WARNING:**

When cutting along multiple tracks, always ensure the tracks are properly aligned and assembled. Cutting along incorrectly assembled or misaligned tracks could cause the saw to move in unexpected ways which may result in serious injuries or property damage.

## To trim the rubber cut strip on the tracks:

- Remove the battery pack and riving knife from the saw.  
**NOTE:** Always remove the riving knife when making non-through cuts and pocket cuts.
- Place scrap material onto a workbench, table or other suitable support. The material should be as long or longer than the tracks being prepared for use.  
**NOTE:** Each track is 27.5 inches long.
- Place the track on the scrap material.
- Use the track clamp to secure the track and scrap material to the support.
- Hold the saw above the track with the blade facing the rubber cut strip.
- Align the slot in the saw's base with the raised tab on the track. Then, lower the saw onto the track.
- Check for play at the front and back of the saw and ensure the saw glides along the track smoothly.
- If necessary, loosen the lock knobs securing the track adjustment tabs. Rotate the tabs until all play (left and

# OPERATION

right) is eliminated and the saw moves freely (forward and back). Tighten the lock knobs.

- Place the plunge depth control lever in the scoring position.
- Reinstall the battery pack.
- Slide the saw to the starting end track and ensure the blade is positioned to cut all the rubber.
- Start the saw and let the blade reach full speed.
- Carefully lower the blade until it contacts the workpiece.
- Guide the saw in a forward direction along the track to trim the rubber cut strip.

**NOTE:** After the rubber cut strip is trimmed, it can be used to accurately indicate the blade cut line.

- Release the trigger and allow the blade to come to a complete stop.
- Slowly allow the front handle to rise until the blade is completely inside of the guard and the saw is in the locked position.
- Remove the battery pack from the saw.
- Remove the saw from the track and reinstall the riving knife.

**NOTE:** When correctly installed, the riving knife should be 5 mm from the blade. If necessary, loosen the screw and reposition the riving knife.

- Loosen and remove the track clamp.
- Discard the scrap material.

## To make cuts along the track:

- Secure workpiece to a workbench, table or other suitable support.
- Place the track on the workpiece and position the rubber cut strip along your desired line of cut.
- Using the track clamp, loosely secure the track to the workpiece.
- Slide the track to the end of the workpiece and continue sliding until a portion of track is hanging off the edge of the workpiece.
- Tighten the track clamp completely
- Place the saw on the track and make adjustments if needed.
- Perform one of the cutting operations described later in this section.
- Release the trigger and allow the blade to come to a complete stop.
- Slowly allow the front handle to rise until the blade is completely inside of the guard and the saw is in the locked position.
- Remove the battery pack from the saw.

## OPERATING THE SAW

See Figures 27 - 29, page 22.

It is important to understand the correct method for operating the saw. Refer to the figures in this section to learn the correct and incorrect ways for handling the saw.

### **WARNING:**

To make sawing easier and safer, always maintain proper control of the saw by holding the saw firmly with both hands. Loss of control could cause an accident resulting in possible serious injury.

To make the best possible cut, follow these helpful hints.

- Hold the saw firmly with both hands.
- Avoid placing your hand on the workpiece while making a cut.
- Support the workpiece so that the cut (kerf) is always to your side.
- Support the workpiece near the cut.
- Use clamps or other practical ways to secure the workpiece so that the workpiece will not move during the cut.
- Always place the saw and the track on the workpiece that is supported, not the “cut off” piece.
- If possible, place the workpiece with the “good” side down.
- To reduce the risk of splintering, always make a score cut before cutting through laminated or veneer faced plywood or composite materials.
- When cutting without a track, draw a guideline along the desired line of cut before beginning your cut.
- When cutting along a track, use the rubber cut strip to indicate the blade cut line.
- When cutting along a track, apply downward pressure and gently move the saw forward. Don't force the saw and **NEVER** pull the saw toward you when the saw is running (turned on).

### **NOTICE:**

All of the cutting operations described in this manual can be performed with or without a track.

## CROSS CUTTING/RIP CUTTING

See Figures 30 - 32, page 22.

### **WARNING:**

Ensure the riving knife is installed and working properly when making these cuts to avoid possible serious injury.

Cuts can be made across the grain of the wood (cross cuts) or with the grain of the wood (rip cuts).

# OPERATION

Inspect the wood before making any cuts. There should be no nails or foreign objects in the workpiece.

When making a cross cut or rip cut along a track, align the line of cut with the rubber cut strip on the track.

## RIP CUTTING ALONG A TRACK

- Remove the battery pack and install the riving knife.  
**NOTE:** Always install the riving knife when making through cuts (except pocket cuts).
- Secure workpiece to a workbench, table or other suitable support.
- Place the plunge depth control lever in the plunge cut position.
- Set the blade to the correct blade depth setting.
- Install vacuum hose (not included) if desired.
- Place the track on the workpiece and position the rubber cut strip along your desired line of cut.
- Clamp the track to the workpiece as previously described.
- Place the saw on the track and make adjustments if needed.
- Reinstall the battery pack.
- Slide the saw to the starting end of the track and ensure the blade is positioned to cut all the workpiece.
- Start the saw and let the blade reach full speed.
- Carefully lower the blade until it contacts the workpiece.
- Guide the saw in a forward direction along the track to achieve a straight rip cut.  
**NOTE:** Use caution to prevent the blade from binding in the cut.  
**NOTE:** To reduce the risk of splintering, always make a score cut before cutting through laminated or veneer faced plywood or composite materials.
- Release the trigger and allow the blade to come to a complete stop.
- Slowly allow the front handle to rise until the blade is completely inside of the guard and the saw is in the locked position.
- Remove the battery pack from the saw.

## RIP CUTTING WITHOUT A TRACK

- Remove the battery pack and install the riving knife.  
**NOTE:** Always install the riving knife when making through cuts (except pocket cuts).
- Secure workpiece to a workbench, table or other suitable support.
- Place the plunge depth control lever in the plunge cut position.
- Set the blade to the correct blade depth setting.

- Install vacuum hose (not included) if desired.
- Clamp a straight edge to the workpiece using C-clamps.
- Reinstall the battery pack.
- Place the front of the base flat on the workpiece.
- Start the saw and let the blade reach full speed.
- Carefully lower the blade until it contacts the workpiece.
- Saw along the straight edge in a forward direction to achieve a straight rip cut.  
**NOTE:** Use caution to prevent the blade from binding in the cut.  
**NOTE:** To reduce the risk of splintering, always make a score cut before cutting through laminated or veneer faced plywood or composite materials.
- Release the trigger and allow the blade to come to a complete stop.
- Slowly allow the front handle to rise until the blade is completely inside of the guard and the saw is in the locked position.
- Remove the battery pack from the saw.

## BEVEL CUTTING

*See Figures 33 - 36, page 23 .*

A bevel cut is made by cutting the workpiece with the blade at an angle.

## BEVEL CUTTING ALONG A TRACK

- NOTE:** Always use the anti-tip feature when bevel cutting along a track to prevent the saw from tipping or becoming unbalanced.
- Remove the battery pack and install the riving knife.  
**NOTE:** Always install the riving knife when making through cuts (except pocket cuts).
  - Secure workpiece to a workbench, table or other suitable support.
  - Place the plunge depth control lever in the plunge cut position.
  - Set the blade to the correct blade depth setting.
  - Install vacuum hose (not included) if desired.
  - Place the track on the workpiece and position the rubber cut strip along your desired line of cut.
  - Clamp the track to the workpiece as previously described.
  - Loosen the anti-tip knob and swing it inwards to extend the lock plate.
  - Tighten the anti-tip knob.
  - Hold the saw at an angle and guide the lock plate underneath the lip of the track
  - Place the rest of the saw on the track and make adjustments if needed.

# OPERATION

**NOTE:** To remove the saw from the track, loosen the anti-tip knob and swing it outwards to retract the lock plate and pull the saw up and away from the track.

- Loosen the bevel lock knobs and move the saw to the desired bevel angle.
- Bevel angles can be set from  $-1^{\circ}$  to  $48^{\circ}$ .

**NOTE:** Use the bevel bypass lever to achieve bevel angles between  $45^{\circ}$  and  $48^{\circ}$ . Use the negative bypass tab to achieve a bevel angle of  $-1^{\circ}$ . Refer to **Extended Bevel Settings** later in this section.

- Tighten the bevel lock knobs.

## **WARNING:**

Attempting a bevel cut without having the bevel lock knobs securely tightened can result in serious injury.

- Reinstall the battery pack.
- Slide the saw to the starting end of the track and ensure the blade is positioned to cut all the workpiece.
- Start the saw and let the blade reach full speed.
- Carefully lower the blade until it contacts the workpiece.
- Guide the saw in a forward direction along the track to achieve a bevel cut.

**NOTE:** Use caution to prevent the blade from binding in the cut.

**NOTE:** To reduce the risk of splintering, always make a score cut before cutting through laminated or veneer faced plywood or composite materials.

- Release the trigger and allow the blade to come to a complete stop.
- Slowly allow the front handle to rise until the blade is completely inside of the guard and the saw is in the locked position.
- Remove the battery pack from the saw.

## **BEVEL CUTTING WITHOUT A TRACK**

- Remove the battery pack and install the riving knife.  
**NOTE:** Always install the riving knife when making through cuts (except pocket cuts).
- Secure workpiece to a workbench, table or other suitable support.
- Place the plunge depth control lever in the plunge cut position.
- Set the blade to the correct blade depth setting.
- Install vacuum hose (not included) if desired.
- Loosen the bevel lock knobs and move the saw to the desired bevel angle.

- Bevel angles can be set from  $-1^{\circ}$  to  $48^{\circ}$ .

**NOTE:** Use the bevel bypass lever to achieve bevel angles between  $45^{\circ}$  and  $48^{\circ}$ . Use the negative bypass tab to achieve a bevel angle of  $-1^{\circ}$ . Refer to **Extended Bevel Settings** later in this section.

- Tighten the bevel lock knobs.

## **WARNING:**

Attempting a bevel cut without having the bevel lock knobs securely tightened can result in serious injury.

- Reinstall the battery pack.
- Place the front of the base flat on the workpiece.
- Start the saw and let the blade reach full speed.
- Carefully lower the blade until it contacts the workpiece.
- Guide the blade into and through the workpiece.  
**NOTE:** Use caution to prevent the blade from binding in the cut.
- Release the trigger and allow the blade to come to a complete stop.
- Slowly allow the front handle to rise until the blade is completely inside of the guard and the saw is in the locked position..
- Remove the battery pack from the saw.

## **EXTENDED BEVEL SETTINGS**

See Figures 37 - 38, page 23 .

The extended bevel capacity of the saw allows you to make bevel cuts from  $-1^{\circ}$  to  $48^{\circ}$ .

**NOTE:** Always use the anti-tip feature when bevel cutting along a track to prevent the saw from tipping or becoming unbalanced.

### **To achieve bevel angles between $45^{\circ}$ and $48^{\circ}$ :**

- Remove the battery pack.
- Rotate the bevel bypass lever fully clockwise to change the upper bevel limit from  $45^{\circ}$  to  $48^{\circ}$ .  
**NOTE:** Rotate the lever fully counterclockwise to change the upper bevel limit back to  $45^{\circ}$ .
- Loosen the bevel lock knobs and move the saw to the desired bevel angle.

- Tighten the bevel lock knobs.

### **To achieve a bevel angle of $-1^{\circ}$ :**

- Remove the battery pack.
- Rotate the negative bypass tab near the rear of the saw fully counterclockwise.
- Rotate the negative bypass tab near the front of the saw fully clockwise.
- Loosen the bevel lock knobs and move the saw to the desired bevel angle.

# OPERATION

**NOTE:** Slight pressure may be needed to move the saw from 0° to -1°.

- Tighten the bevel lock knobs.

## POCKET CUTTING

See Figure 39, page 23.

### WARNING:

Always adjust bevel setting to zero before making a pocket cut. Attempting a pocket cut at any other setting can result in loss of control of the saw possibly causing serious injury.

- Remove the battery pack and riving knife from the saw.  
**NOTE:** Always remove the riving knife when making non-through cuts and pocket cuts.
- Secure workpiece to a workbench, table or other suitable support.
- Place the plunge depth control lever in the plunge cut position.
- Set the blade to the correct blade depth setting.
- If desired, secure the track to the workpiece and place the saw on the track.
- Install vacuum hose (not included) if desired.
- Reinstall the battery pack.

- Move the saw into position.
- Rest the base flat against the workpiece.
- Start the saw and let the blade reach full speed.
- Slowly lower the blade into the workpiece and make the first line of cut. If you are cutting along a track, lower the blade into the workpiece and guide the saw in the forward direction along the track to the desired length of cut.

**NOTE:** To reduce the risk of splintering, always make a score cut before cutting through laminated or veneer faced plywood or composite materials.

### WARNING:

Always cut in a forward direction when pocket cutting. Cutting in the reverse direction could cause the saw to climb up on the workpiece and back toward you.

- Release the trigger and allow the blade to come to a complete stop.
- Slowly allow the front handle to rise until the blade is completely inside of the guard and the saw is in the locked position.
- Reposition the saw and track (if applicable) and repeat the above steps for the remaining lines of cut.
- Clear corners out with a hand saw, sabre saw, or chisel.

# ADJUSTMENTS

### WARNING:

To prevent accidental starting that could cause serious personal injury, always remove the battery pack from the product when making adjustments.

## ADJUSTING THE BASE PARALLEL TO THE TO THE BLADE

See Figures 40 - 41, page 24.

- Remove battery pack.
- Place the saw in an upside down position on a workbench.
- Remove the bolt and washer near the center of the base.  
**NOTE:** The washer is located between the base and the guard.
- Turn the saw right side up.
- Slide the spring cone away from the bracket in the base.
- Remove the compression spring from the cone.

- Slide the compression spring down and away from the opening in the saw housing.
- Place the plunge depth control lever in the plunge cut position.
- Lower the blade completely.
- Turn the saw upside down.
- Mark beside one of the blade teeth at the front of the blade. Using a ruler, measure the distance from the blade tooth to the edge of the saw base indicated in figure 41.
- Turn the blade so the marked tooth is at the back.
- Move the ruler to the rear and again measure the distance from the blade tooth to the edge of the saw base. If the distances are the same, the blade and the base are parallel.
- Reassemble the spring, spring cone, washer and screw.

# ADJUSTMENTS

## If the distances are different:

- Remove battery pack.
- Remove the screw near the center of the base, washer, compression spring and cone.
- Place the plunge depth control lever in the plunge cut position.
- Lower the blade completely.
- Turn the saw upside down.
- Loosen but do not remove the screws near the front and back of the base.
- Adjust the base until it is parallel with the saw blade.
- Tighten the screws. Check again for squareness and continue to adjust if needed.
- Reassemble the spring, spring cone, washer and screw.

## TO SET THE BLADE AT 0° AND 45°

See Figures 42 - 44, pages 24 and 25.

The angle settings of the saw have been set at the factory and, unless damaged in shipping, should not require setting during assembly. After extensive use, they may need to be checked.

- Remove battery pack.
- Remove the screw near the center of the base, washer, compression spring and cone.
- Place the plunge depth control lever in the plunge cut position.

### To check for squareness, 0° bevel:

- Loosen the bevel lock knobs and tilt the saw to 0°.
- Tighten the bevel lock knobs.
- Lower the blade completely.
- Place the saw in an upside down position on a workbench.
- Check the squareness of the saw blade to the base of the saw using a carpenter's square.

## If the blade is not an exact 90° (0° bevel):

- Loosen hex nuts securing adjusting screws.
- Turn adjusting screws and adjust base until square with saw blade.
- Tighten hex nuts and bevel lock knobs securely.

### Once blade is square to the base (0° bevel):

- Check bevel indicator.
- If indicator is not pointing to the 0° mark on the bevel scale, loosen the indicator adjusting screw and adjust indicator.

**NOTE:** Tilt the saw to 45° and recheck indicator.

- Retighten screw.

### To check for squareness, 45° bevel:

- Loosen the bevel lock knobs and tilt the saw to 45°.
- Tighten the bevel lock knobs.
- Lower the blade completely.
- Place the saw in an upside down position on a workbench.
- Check the squareness of the saw blade to the base of the saw using a carpenter's square.

## If the blade is not an exact 45°:

- Turn the 45° stop screw 1/4 turn in the clockwise or counterclockwise direction until the blade is square.
- Tighten the bevel lock knobs.

### Once blade is 45° to the base:

- Check bevel indicator.
- If indicator is not pointing to the 45° mark on the bevel scale, loosen the indicator adjusting screw and adjust indicator.

**NOTE:** Tilt the saw to 0° and recheck indicator.

- Retighten screw.

### When all adjustments are complete:

- Reassemble the spring, spring cone, washer and screw.

# ACCESSORIES

Look for these accessories where you purchased this product or call 1-800-525-2579:

- 27.5 in. Track Assembly (incl. two connectors, set screws, and rubber cut strips) .....089240074701
- 55 in. Track Assembly (incl. two connectors, set screws, and rubber cut strips) .....089240074710
- Track Connector Assembly (incl. two connectors and set screws).....089240074711
- Riving Knife.....089240074115
- 27.5 in. Rubber Cut Strip.....089240074117
- 55 in. Rubber Cut Strip.....089240074116
- Track Adjustment Tabs .....089240074118 (front) and 089240074119 (back)
- 6-1/2 in. Blade .....089240074110
- Track Clamp Assembly.....089240074712

## WARNING:

Current attachments and accessories available for use with this product are listed above. Do not use any attachments or accessories not recommended by the manufacturer of this product. The use of attachments or accessories not recommended can result in serious personal injury.

# MAINTENANCE

## WARNING:

When servicing, use only identical replacement parts. Use of any other parts may create a hazard or cause product damage.

## WARNING:

Always wear eye protection with side shields marked to comply with ANSI Z87.1. Failure to do so could result in objects being thrown into your eyes resulting in possible serious injury.

## WARNING:

To avoid serious personal injury, always remove the battery pack from the product when cleaning or performing any maintenance.

## GENERAL MAINTENANCE

Avoid using solvents when cleaning plastic parts. Most plastics are susceptible to damage from various types of commercial solvents and may be damaged by their use. Use clean cloths to remove dirt, dust, oil, grease, etc.

## WARNING:

Do not at any time let brake fluids, gasoline, petroleum-based products, penetrating oils, etc., come in contact with plastic parts. Chemicals can damage, weaken or destroy plastic which may result in serious personal injury.

## REPLACING THE TRACK ADJUSTMENT TAB

*See Figure 46, page 25.*

After extended use, the track adjustment tab may wear and need replacing. **To replace the tab:**

- Remove the battery pack from the saw.
- Remove the saw from the track.
- Loosen and remove the lock knob.
- Remove the washer and the track adjustment tab.
- Place the new track adjustment tab over the hole in the base.

**NOTE:** There are track adjustment tabs in the front and back of the saw. These tabs are not interchangeable. Always use identical replacement parts.

- Secure the tab in place using the washer and lock knob.
- Place the saw onto the track and adjust the tabs as necessary.

**NOTE: ILLUSTRATIONS START ON PAGE 17 AFTER FRENCH AND SPANISH LANGUAGE SECTIONS.**



# AVERTISSEMENTS DE SÉCURITÉ RELATIVES AUX OUTILS ÉLECTRIQUES

## AVERTISSEMENT

Lire les avertissements de sécurité, les instructions et les précisions et consulter les illustrations fournis avec cet outil électrique. Le fait de ne pas se conformer à l'ensemble des consignes présentées ci-dessous risque d'entraîner des décharges électriques, un incendie et/ou des blessures graves.

Conserver les avertissements et les instructions à des fins de référence ultérieure. Le terme « outil électrique », utilisé dans tous les avertissements ci-dessous désigne tout outil fonctionnant sur secteur (câblé) ou sur piles (sans fil).

## SÉCURITÉ DU LIEU DE TRAVAIL

- **Garder le lieu de travail propre et bien éclairé.** Les endroits encombrés ou sombres sont propices aux accidents.
- **Ne pas utiliser d'outils électriques dans des atmosphères explosives, par exemple en présence de liquides, gaz ou poussières inflammables.** Les outils électriques produisent des étincelles risquant d'enflammer les poussières ou vapeurs.
- **Garder les enfants et badauds à l'écart pendant l'utilisation d'un outil électrique.** Les distractions peuvent causer une perte de contrôle.

## SÉCURITÉ ÉLECTRIQUE

- **Les fiches des outils électriques doivent correspondre à la prise secteur utilisée. Ne jamais modifier la fiche, de quelque façon que ce soit. Ne jamais utiliser d'adaptateurs de fiche avec des outils mis à la terre.** Les fiches et prises non modifiées réduisent le risque de choc électrique.
- **Éviter tout contact du corps avec des surfaces mises à la terre, telles que tuyaux, radiateurs, cuisinières et réfrigérateurs.** Le risque de choc électrique est accru lorsque le corps est mis à la terre.
- **Ne pas exposer les outils électriques à l'eau ou l'humidité.** La pénétration d'eau dans ces outils accroît le risque de choc électrique.
- **Ne pas maltraiter le cordon d'alimentation. Ne jamais utiliser le cordon d'alimentation pour transporter l'outil et ne jamais débrancher ce dernier en tirant sur le cordon. Garder le cordon à l'écart de la chaleur, de l'huile, des objets tranchants et des pièces en mouvement.** Un cordon endommagé ou emmêlé accroît le risque de choc électrique.
- **Pour les travaux à l'extérieur, utiliser un cordon spécialement conçu à cet effet.** Utiliser un cordon conçu pour l'usage extérieur pour réduire les risques de choc électrique.
- **S'il est nécessaire d'utiliser l'outil électrique dans un endroit humide, employer un dispositif interrupteur de défaut à la terre (GFCI).** L'utilisation d'un GFCI réduit le risque de décharge électrique.
- **Utiliser ce produit seulement avec les piles et les chargeurs indiqués dans le supplément de raccordement pour chargeur/outils/piles/appareil n° 987000-432.**

## SÉCURITÉ PERSONNELLE

- **Rester attentif, prêter attention au travail et faire preuve de bon sens lors de l'utilisation de tout outil électrique.**

**Ne pas utiliser cet outil en état de fatigue ou sous l'influence de l'alcool, de drogues ou de médicaments.** Un moment d'inattention pendant l'utilisation d'un outil électrique peut entraîner des blessures graves.

- **Utiliser l'équipement de sécurité. Toujours porter une protection oculaire.** L'équipement de sécurité, tel qu'un masque filtrant, de chaussures de sécurité, d'un casque ou d'une protection auditive, utilisé dans des conditions appropriées réduira le risque de blessures.
- **Éviter les démarrages accidentels. S'assurer que le commutateur est en position d'arrêt avant de brancher l'outil.** Porter un outil avec le doigt sur son commutateur ou brancher un outil dont le commutateur est en position de marche peut causer un accident.
- **Retirer les clés de réglage avant de mettre l'outil en marche.** Une clé laissée sur une pièce rotative de l'outil peut causer des blessures.
- **Ne pas travailler hors de portée. Toujours se tenir bien campé et en équilibre.** Ceci permettra de mieux contrôler l'outil en cas de situation imprévue.
- **Porter une tenue appropriée. Ne porter ni vêtements amples, ni bijoux. Garder les cheveux, les vêtements et les gants à l'écart des pièces en mouvement.** Les vêtements amples, bijoux et cheveux longs peuvent se prendre dans les pièces en mouvement.
- **Si les outils sont équipés de dispositifs de dépoussiérage, s'assurer qu'ils sont connectés et correctement utilisés.** L'usage de ces dispositifs de dépoussiérage peut réduire les dangers présentés par la poussière.
- **Malgré votre expérience acquise par l'utilisation fréquente des outils, soyez toujours vigilant et respectez les principes de sécurité relatifs aux outils.** Il s'agit d'une fraction de seconde pour qu'un geste irréfléchi puisse causer de graves blessures.
- **Ne porter ni vêtements amples, ni bijoux.** Attacher ou couvrir les cheveux longs. Les vêtements amples, bijoux et cheveux longs peuvent se prendre dans les ouïes d'aération.
- **Ne pas utiliser l'outil sur une échelle ou un support instable.** Une bonne tenue et un bon équilibre permettent de mieux contrôler l'outil en cas de situation imprévue.

## UTILISATION ET ENTRETIEN DES OUTILS ÉLECTRIQUES

- **Ne pas forcer l'outil. Utiliser l'outil approprié pour l'application.** Un outil approprié exécutera le travail mieux et de façon moins dangereuse s'il est utilisé dans les limites prévues.
- **Ne pas utiliser l'outil si le commutateur ne permet pas de le mettre en marche ou de l'arrêter.** Tout outil qui ne peut pas être contrôlé par son commutateur est dangereux et doit être réparé.
- **Débrancher l'outil et/ou retirer le bloc-piles avant d'effectuer des réglages, de changer d'accessoire ou de remiser l'outil.** Ces mesures de sécurité préventives réduisent les risques de démarrage accidentel de l'outil.
- **Ranger les outils motorisés hors de la portée des enfants et ne laisser personne n'étant pas familiarisé avec l'outil ou ces instructions utiliser l'outil.** Dans les mains de personnes n'ayant pas reçu des instructions adéquates, les outils sont dangereux.

# AVERTISSEMENTS DE SÉCURITÉ GÉNÉRALES RELATIVES AUX OUTILS ÉLECTRIQUES

- **Entretien des outils motorisés.** Vérifier qu'aucune pièce mobile n'est mal alignée ou bloquée, qu'aucune pièce n'est brisée et s'assurer qu'aucun autre problème ne risque d'affecter le bon fonctionnement de l'outil. En cas de dommages faire réparer l'outil avant de l'utiliser de nouveau. Beaucoup d'accidents sont causés par des outils mal entretenus.
- **Garder les outils bien affûtés et propres.** Des outils correctement entretenus et dont les tranchants sont bien affûtés risquent moins de se bloquer et sont plus faciles à contrôler.
- **Utiliser l'outil, les accessoires et embouts, etc. conformément à ces instructions pour les applications pour lesquelles ils sont conçus, en tenant compte des conditions et du type de travail à exécuter.** L'usage d'un outil motorisé pour des applications pour lesquelles il n'est pas conçu peut être dangereux.
- **Gardez les poignées et les surfaces de prise sèches, propres et exemptes d'huile et de graisse.** Des poignées et des surfaces de prise glissantes empêchent la manipulation et le contrôle sécuritaires de l'outil dans des circonstances imprévues.

## UTILISATION ET ENTRETIEN DE LA PILE

- **Ne recharger qu'avec l'appareil spécifié par le fabricant.** Un chargeur approprié pour un type de pile peut créer un risque d'incendie s'il est utilisé avec un autre type de pile.
- **Utiliser exclusivement le bloc-pile spécifiquement indiqué pour l'outil.** L'usage de tout autre bloc peut créer un risque de blessures et d'incendie.
- **Lorsque le bloc-piles n'est pas en usage, le garder à l'écart d'articles tels qu'attaches trombones, pièces de**

monnaie, clous, vis ou autres petits objets métalliques risquant d'établir le contact entre les deux bornes. La mise en court-circuit des bornes de piles peut causer des étincelles, des brûlures ou un incendie.

- **En cas d'usage abusif, du liquide peut s'échapper des piles. Éviter tout contact avec ce liquide. En cas de contact accidentel, rincer immédiatement les parties atteintes avec de l'eau. En cas d'éclaboussure dans les yeux consulter un médecin.** Le liquide s'échappant des piles peut causer des irritations ou des brûlures.
- **Ne pas utiliser un bloc-piles ou un outil endommagé ou modifié.** Les piles endommagées ou modifiées peuvent produire un comportement imprévisible pouvant provoquer un incendie, une explosion ou des blessures.
- **Ne pas exposer le bloc-piles ou l'outil près d'un incendie ou à une température extrême.** L'exposition à un incendie ou à une température supérieure à 130 °C (265 °F) représente un risque d'explosion.
- **Suivre toutes les instructions afférentes à la recharge et ne pas recharger le bloc-piles ou l'outil hors des températures spécifiées dans les instructions.** Une recharge incorrecte ou hors des températures spécifiées peut endommager la pile et augmenter les risques de feu.

## DÉPANNAGE

- **Les réparations doivent être confiées à un technicien qualifié, utilisant exclusivement des pièces identiques à celles d'origine.** Ceci assurera le maintien de la sécurité de l'outil.
- **Ne réparez jamais de blocs-piles endommagés.** Seuls le fabricant et les fournisseurs de service autorisés doivent effectuer la réparation ou l'entretien des blocs-piles.

# AVERTISSEMENTS DE SÉCURITÉ RELATIFS AU SCIE À RAIL

## MÉTHODE DE COUPE



### DANGER :

Garder les mains à l'écart de la zone de coupe et de la lame. Garder la deuxième main sur la poignée auxiliaire ou le boîtier du moteur. Lorsque les mains sont utilisées pour tenir la scie, elle ne risquent pas d'être coupées par la lame.

- **Ne pas passer les mains au-dessous de la pièce à travailler à couper.** La garde de lame n'offre aucune protection au-dessous de la pièce à couper.
- **Ajuster la profondeur de coupe en fonction de l'épaisseur de la pièce à travailler.** Sous la pièce à travailler, on devrait pouvoir distinguer moins d'une dent entière parmi celles de la lame.
- **Ne jamais tenir une pièce en train d'être coupée à la main ou posée sur la jambe. Immobiliser la pièce à travailler sur une surface stable.** Il est essentiel de soutenir

correctement la pièce à couper pour éviter les risques de coupure, de blocage de la lame et de perte du contrôle.

- **Tenir l'outil par ses surfaces de préhension isolées lors des opérations pendant lesquelles l'accessoire de coupe peut entrer en contact avec du câblage caché.** Le contact avec un fil sous tension « électrifie » les pièces métalliques exposées de l'outil, ce qui peut électrocuter l'utilisateur.
- **Pour la refente, toujours utiliser un guide longitudinal ou une règle.** Ceci accroît la précision de la coupe et réduit le risque de blocage de la lame.
- **Toujours utiliser des lames dont l'alésage central est de dimension et de forme adéquates (ruban à tranchant au diamant ou lame ronde).** Une lame incompatible avec la quincaillerie de montage de la scie tournerait en faux rond, causant la perte du contrôle.
- **Ne jamais utiliser de rondelles ou boulon de lame incorrects ou endommagés.** Les rondelles et boulon de lame fournis sont conçus spécialement pour assurer une efficacité et une sécurité maximum.

# AVERTISSEMENTS DE SÉCURITÉ RELATIFS AU SCIE À RAIL

## CAUSES DES EFFETS DE REBOND ET AUTRES AVERTISSEMENTS

- Le rebond est une réaction soudaine, causée par une lame coincée, bloquée ou mal alignée et projetant la scie hors de la pièce coupée vers le haut, en direction de l'opérateur;
- Lorsque la lame est pincée ou bloquée par la fermeture du trait de coupe, elle se bloque et la force du moteur projette la scie en direction de l'opérateur;
- Si la lame dévie dans le trait de coupe, les dents de l'arrière risquent de mordre la surface de la planche, causant la projection de la lame hors du bois, en direction de l'opérateur.

Une mauvaise utilisation de la scie peut entraîner un rebond et/ou des méthodes de travail incorrectes et il peut être évité en prenant les précautions suivantes :

- **Tenir fermement la scie avec les deux mains et positionner les bras de manière à pouvoir résister aux rebonds. Se tenir d'un côté de lame, et non dans la trajectoire de celle-ci.** Le rebond peut causer un recul brutal de la scie, mais s'il prend les précautions nécessaires, l'utilisateur peut contrôler la force du rebond.
- **Si la lame se bloque ou si la coupe est interrompue pour une raison quelconque, relâcher la gâchette et maintenir la lame dans le trait de coupe jusqu'à ce qu'elle ait complètement cessé de tourner. Pour éviter un rebond, ne jamais essayer de retirer la scie de la pièce ou de la tirer en arrière pendant que la lame est en rotation.** Déterminer et éliminer la cause du blocage de la lame.
- **Avant de remettre la scie en marche en cours de coupe, centrer la lame dans le trait de scie et s'assurer que les dents ne mordent pas dans le bois.** Si la lame est bloquée, elle peut causer un rebond et l'éjection du trait de coupe lorsque la scie est remise en marche.
- **Soutenir les planches longues afin d'éviter les risques de pincement de la lame et de rebond.** Les planches de grande taille ont tendance à ployer sous leur propre poids. Des supports doivent être placés sous la planche, de chaque côté, près du trait de coupe et du bord de la planche.
- **Ne pas utiliser de lames émoussées ou endommagées.** Une lame émoussée ou incorrectement réglée produit un trait de scie étroit, causant le pincement de la lame et le rebond.
- **Les leviers de réglage de profondeur et d'angle de coupe doivent être fermement serrés et assujettis avant de commencer la coupe.** Si la lame se dérègle en cours de coupe, elle peut se bloquer et causer un rebond.
- **Soyez particulièrement prudent lors du sciage dans des murs existants ou dans d'autres endroits obscurs.** La lame peut heurter des objets ou matériaux causant un rebond.

## FONCTION DE GARDE

- **Avant chaque utilisation, s'assurer que la garde inférieure se ferme correctement avant chaque utilisation. Ne pas utiliser la scie si la garde ne fonctionne pas librement ou ne se ferme pas instantanément. Ne jamais bloquer**

**la garde inférieure en position ouverte.** En cas de chute accidentelle de la scie, la garde inférieure peut se déformer. Relever la garde inférieure avec la poignée de rétraction et vérifier qu'elle fonctionne librement et ne touche ni la lame, ni aucune autre pièce, quelle que soit l'angle ou la profondeur de coupe.




- **Vérifier le fonctionnement du ressort de la garde inférieure. Tout problème de fonctionnement de la garde et du ressort doit être corrigé avant d'utiliser la scie.** Des pièces endommagées, des résidus gommeux et les accumulations de débris peuvent ralentir le fonctionnement de la garde inférieure.
- **S'assurer que la semelle de la base de la scie ne se déplacera pas lors d'une «coupe en plongée».** Le déplacement latéral de la lame provoquera un coincement et un rebond probable.
- **Toujours s'assurer que la garde couvre la lame avant de poser la scie sur le sol ou un établi.** Une lame non protégée tournant au débrayé causerait un mouvement en arrière de la scie, qui couperait tout ce qui se trouve sur son passage. Tenir compte du temps nécessaire à l'arrêt complet de la lame une fois que la gâchette est relâchée.
- **Ne jamais utiliser aucune sorte de meules abrasives avec cette scie.**
- **Utiliser des serre-joint ou un autre système approprié pour maintenir fermement la pièce sur une surface stable.** Une pièce tenue à la main ou contre son corps est instable et peut causer une perte de contrôle.

## FONCTION DE COUTEAU DIVISEUR








- **Utiliser la bonne lame pour le couteau diviseur.** Pour faire fonctionner le couteau diviseur, le corps de la lame doit être plus mince que le couteau diviseur et la largeur tranchante de la lame doit être plus large que l'épaisseur du couteau diviseur.
- **Ajuster le couteau diviseur conformément aux instructions du présent manuel.** Un mauvais espacement, positionnement ou alignement peut rendre le couteau diviseur inefficace en empêchant le rebond.
- **Toujours utiliser le couteau diviseur, sauf pour une coupe en plongée.** Le couteau diviseur doit être remplacé après une coupe en plongée. Le couteau diviseur cause des interférences pendant la coupe en plongée et peut créer du rebond.
- **Pour que le couteau diviseur fonctionne, il doit être engagé dans la pièce à travailler.** Le couteau diviseur est inefficace à prévenir le rebond pendant les coupes courtes.
- **Ne pas utiliser la scie si le couteau diviseur est tordu.** Même une interférence légère peut ralentir le taux de fermeture d'un protège-lame.
- **Utiliser la bonne lame pour le couteau diviseur.** Pour faire fonctionner correctement le couteau diviseur, le corps de la lame doit être plus épais que 1,00 mm et la largeur tranchante de la lame de scie doit être plus large que 1,40 mm.

# SYMBOLES

Les termes de mise en garde suivants et leur signification ont pour but d'expliquer le degré de risques associé à l'utilisation de ce produit.

SYMBOLE	SIGNAL	SIGNIFICATION
	<b>DANGER :</b>	Indique une situation dangereuse qui, si elle n'est pas évitée, aura pour conséquences des blessures graves ou mortelles.
	<b>AVERTISSEMENT :</b>	Indique une situation dangereuse qui, si elle n'est pas évitée, pourrait entraîner des blessures graves ou mortelles.
	<b>ATTENTION :</b>	Indique une situation dangereuse qui, si elle n'est pas évitée, pourrait entraîner des blessures légères ou de gravité modérée.
	<b>AVIS :</b>	(Sans symbole d'alerte de sécurité) Indique les informations jugées importantes sans toutefois représenter un risque de blessure (ex. : messages concernant les dommages matériels).

Certains des symboles ci-dessous peuvent être utilisés sur produit. Veiller à les étudier et à apprendre leur signification. Une interprétation correcte de ces symboles permettra d'utiliser produit plus efficacement et de réduire les risques.

SYMBOLE	NOM	DÉSIGNATION / EXPLICATION
	Symbole d'alerte de sécurité	Indique un risque de blessure potentiel.
	Lire le manuel d'utilisation	Pour réduire les risques de blessures, l'utilisateur doit lire et veiller à bien comprendre le manuel d'utilisation avant d'utiliser ce produit.
	Protection oculaire	Toujours porter une protection oculaire avec écrans latéraux certifiée conforme à la norme ANSI Z87.1.
	Avertissement concernant l'humidité	Ne pas exposer à la pluie ou l'humidité.
	Symbole Mains à l'écart	Le non-respect de cette mise en garde peut entraîner des blessures graves.
	Symbole de recyclage	Ce produit utilise les piles de lithium-ion (Li-ion). Les réglementations locales ou gouvernementales peuvent interdire de jeter les piles dans les ordures ménagères. Consulter les autorités locales compétentes pour les options de recyclage et/ou l'élimination.
	Courant continu	Type ou caractéristique du courant
$n_0$	Vitesse à vide	Vitesse de rotation à vide
.../min	Par minute	Tours, coups, vitesse périphérique, orbites, etc., par minute
V	Volts	Tension
min	Minutes	Temps

# CARACTÉRISTIQUES

## FICHE TECHNIQUE

Moteur .....	18 V c.c.
Diamètre de la lame.....	16,51 cm (6-1/2 po)
Axe de lame.....	15,9 mm (5/8 po)
Dimension du rail.....	69,85 cm (27,5 po) chaque
Capacité de biseau .....	-1° à 48°
Vitesse à vide .....	4 300 /min (RPM)

Capacités de coupe à 0°

Avec rail.....	49,2 mm (1-15/16 po)
Sans rail.....	54 mm (2-1/8 po)

Capacités de coupe à 45°

Avec piste.....	36,5 mm (1-7/16 po)
Sans rail.....	39,7 mm (1-9/16 po)

## ASSEMBLAGE

### DÉBALLAGE

Cet produit doit être assemblé.

- Avec précaution, sortir l'outil et les accessoires de la boîte. Tous les articles énumérés sous **Inclut** doivent se trouver dans l'emballage au moment de l'achat.

#### AVERTISSEMENT :

Certaines pièces figurant dans cette section Assemblage n'ont pas été installées sur le produit par le fabricant et exigent une installation du client. Le fait d'utiliser un produit qui a été assemblé de façon inadéquate peut entraîner des blessures.

- Cette scie est livrée avec une attache autobloquante pour la sécuriser en position de plongée. Pour relâcher la scie, pousser le dessus de la poignée avant vers le bas, couper l'attache autobloquante et laisser la scie se lever lentement en position complètement levée.

#### AVERTISSEMENT :

Le corps de la scie est équipé d'un ressort. Maintenir la poignée avant abaissée pour éviter son relèvement brusque au moment de couper l'attache autobloquante. Le non-respect de cet avertissement peut entraîner des blessures graves.

- Examiner soigneusement le produit pour s'assurer que rien n'a été brisé ou endommagé en cours de transport.
- Ne pas jeter les matériaux d'emballage avant d'avoir soigneusement examiné le produit et avoir vérifié qu'il fonctionne correctement.
- Si des pièces sont manquantes ou endommagées, appeler le 1-800-525-2579.

#### AVERTISSEMENT :

Si des pièces manquent ou sont endommagées, ne pas utiliser cet outil avant qu'elles aient été remplacées. Le fait d'utiliser ce produit même s'il contient des pièces endommagées ou s'il lui manque des pièces pouvant entraîner des blessures graves.

#### AVERTISSEMENT :

Ne pas essayer de modifier cet produit ou de créer des accessoires non recommandés pour l'produit. De telles altérations ou modifications sont considérées comme un usage abusif et peuvent créer des conditions dangereuses, risquant d'entraîner des blessures graves.

#### AVERTISSEMENT :

Pour empêcher un démarrage accidentel pouvant entraîner des blessures graves, toujours retirer le bloc-pile de l'produit avant d'assembler des pièces.

### INSTALLATION DE LA LAME

Voir les figures 1 à 4, page 18.

#### AVERTISSEMENT :

La taille maximum de lame pouvant être utilisée sur cette scie est de 16,51 cm (6-1/2 po). Ne jamais utiliser une lame trop épaisse pour permettre à la rondelle extérieure de la lame de s'engager sur les méplats de la broche. Des lames de plus grand diamètre toucheraient la garde et des lames trop épaisses ne pourraient pas être maintenues sur la broche par le boulon. Ces deux situations peuvent causer un accident grave.

- Retirer le bloc-piles de la scie.
- Enlever la clé de lame de l'espace de rangement.  
**NOTE:** Deux clés sont fournies avec la scie, une petite pour le rail et une grande pour la lame.
- Placer le levier de contrôle de la profondeur de plongée dans la position du changement de lame.
- Enfoncer le bouton de verrouillage.
- Saisir la poignée avant et exercer une pression descendante pour abaisser et exposer la vis de lame. Continuer à exercer une pression descendante pour abaisser la scie dans sa position la plus basse.
- Laisser la poignée avant se lever lentement jusqu'à ce que la lame se verrouille en position du changement de lame.

# ASSEMBLAGE

Dans cette position, la scie ne peut pas être abaissée ou levée.

- Placer la scie sur son côté en orientant la broche vers le haut.
- Appuyer et tenir sur le bouton de verrouillage de l'axe et retire le vis de lame et rondelle de lame extérieure.

**NOTE :** Tourner le boulon de lame vers la gauche pour le retirer.

## AVIS :

Pour éviter des dommages à la broche et à son verrouillage, toujours laisser le moteur s'arrêter complètement avant d'engager le verrouillage.

**NOTE :** Ne pas utiliser la scie circulaire avec le verrouillage de broche engagé.

- Appliquer une mince couche d'huile sur la surface de contact de la rondelle de lame intérieure et de la rondelle extérieure avec la lame.



## AVERTISSEMENT :

Si la rondelle d'aube interne a été retirée, la replacer avant de placer la lame sur la tige. Le non-respect de cette consigne peut causer un accident, puisque la lame ne sera pas serrée adéquatement.

- Insérer la lame dans la fente située à la base et sur la broche.
- Remettre la rondelle de lame extérieure en place.
- Appuyer et tenir sur le bouton de verrouillage de la broche et réinstaller le boulon de lame. Serrer fermement le bouton en le tournant vers la gauche.
- Retourner la clé de lame de son compartiment.
- Placer la scie en position debout et déplacer le levier de contrôle de la profondeur de plongée jusqu'à la position d'entaille ou la position de coupe en plongée avant de tenter une coupe.

**NOTE :** Ne jamais utiliser une lame trop épaisse pour permettre à la rondelle extérieure de la lame de s'engager sur les méplats de la broche.

## RETRAIT DE LA LAME

Voir les figures 1 à 4, page 18.

- Retirer le bloc-piles de la scie.
- Enlever la clé de lame de l'espace de rangement.  
**NOTE:** Deux clés sont fournies avec la scie, une petite pour le rail et une grande pour la lame.
- Placer le levier de contrôle de la profondeur de plongée dans la position du changement de lame.
- Verrouiller la scie en position du changement de lame comme il est décrit précédemment.

**NOTE:** Quand la scie est abaissée dans la position du changement de lame, une partie de la lame et du couteau diviseur dépassent la base. Vérifier que la scie est positionnée pour fournir suffisamment de dégagement, avant de la placer dans la position du changement de lame.

- Positionner la scie comme illustré, appuyer sur le bouton de verrouillage de la broche et retirer le boulon de lame en le tournant vers la gauche.
- Retirer la rondelle extérieure de la lame.
- Pousser délicatement le dos de la lame vers le haut et hors de la broche.
- Retirer la lame en la glissant hors de la fente située à la base.

## INSTALLATION / RETRAIT LE COUTEAU

### DIVISEUR

Voir la figure 5, page 19.



## AVERTISSEMENT :

Retirer uniquement le couteau diviseur pour les coupes non transversales et les coupes d'évidement. Enlever le couteau diviseur pour toute autre coupe peut entraîner du rebond et des blessures graves.

- Retirer le bloc-piles de la scie.
- Enlever la clé de lame de l'espace de rangement.  
**NOTE:** Deux clés sont fournies avec la scie, une petite pour le rail et une grande pour la lame.
- Placer le levier de contrôle de la profondeur de plongée dans la position du changement de lame.
- Verrouiller la scie en position du changement de lame comme il est décrit précédemment.
- Trouver la vis à l'intérieur du trou, au dos du protège-lame.
- Insérer la clé de lame dans le trou et desserrer en tournant plusieurs tours en sans antihoraire, mais **ne pas retirer** la vis.
- Glisser le couteau diviseur dans le protège-lame et aligner délicatement la fente du couteau sur le montant à l'intérieur du protège-lame.  
**NOTE :** Insérer complètement le couteau diviseur dans le protège-lame jusqu'à ce qu'il s'arrête, pour s'assurer qu'il est bien en position.  
**NOTE :** Une fois correctement installé, le couteau diviseur doit être à 5,00 mm de la lame. Si nécessaire, desserrer la vis et repositionner le couteau diviseur.
- Serrer fermement la vis en la tournant en sens horaire.
- Retourner la clé de lame de son compartiment.
- Placer la scie en position debout et déplacer le levier de contrôle de la profondeur de plongée jusqu'à la position d'entaille ou la position de coupe en plongée avant de tenter une coupe.

### Pour retirer le couteau diviseur :

- Retirer le bloc-piles de la scie.
- Enlever la clé de lame de l'espace de rangement.
- Desserrer en tournant en sans antihoraire, mais **ne pas retirer** la vis.
- Retrait le couteau diviseur.
- Serrer fermement la vis en la tournant en sens horaire.

# ASSEMBLAGE

## ASSEMBLAGE DES RAILS

Voir les figures 6 et 7, page 19.

Les rails peuvent être utilisés individuellement ou ensemble pour convenir à la taille de votre projet. Avant l'utilisation, il faut assembler et aligner correctement tous les rails, puis couper la bande de caoutchouc.

### Pour assembler les rails :

- Placer les rails à l'envers sur un espace de travail plat.  
**NOTE :** Deux rails sont fournis avec la scie. Un rail est doté d'un connecteur préinstallé et l'autre n'en a pas.
- À l'aide de la clé de rail, desserrer les vis sécurisant le connecteur au rail.
- Aligner les rails et glisser le connecteur sur le joint et dans la fente du rail suivant. Placer le connecteur sur chaque rail, à environ la mi-longueur, et serrer les vis pour sécuriser un côté.

**NOTE :** Les rails sont usinés pour s'ajuster parfaitement ensemble aux extrémités. Toutefois, avant de serrer le reste des vis, placer une bordure droite, une équerre de charpentier ou un niveau long d'au moins 30,48 cm le long des bords longs, pour s'assurer que les pièces sont parfaitement alignées. Sauter cette étape peut compromettre la précision de la performance de la scie.

- Aligner les bouts longs des deux rails contre la bordure droite, l'équerre de charpentier ou le niveau. En tenant les deux pièces ensemble, serrer le reste des vis pour sécuriser le connecteur.

**NOTE :** Après avoir serré les vis, vérifier de nouveau que les rails sont parfaitement alignés en utilisant la bordure droite.

**Chaque rail présente une bande de caoutchouc le long du bord. Avant de couper une pièce à travailler avec le rail, la bande de caoutchouc doit être d'abord taillée. Se référer à la partie « Utilisation du rail » dans la section *Utilisation*.**

# UTILISATION

## AVERTISSEMENT :

Ne pas laisser la familiarité avec l'outil faire oublier la prudence. Ne pas oublier qu'une fraction de seconde d'inattention pouvant entraîner des blessures graves.

## AVERTISSEMENT :

Toujours retirer la bloc-pile de l'outil au moment d'assembler des pièces, d'effectuer des réglages et de procéder au nettoyage, ou lorsque l'outil n'est pas utilisé. Si cette précaution n'est pas prise, des objets peuvent être projetés dans les yeux et causer des lésions graves.

## AVERTISSEMENT :

Toujours porter une protection oculaire munie d'écrans latéraux certifiée conforme à la norme ANSI Z87.1. Ne pas suivre cette directive pourrait entraîner des blessures graves, par exemple si l'appareil projetait des objets dans vos yeux.

## AVERTISSEMENT :

Ne pas utiliser d'outils ou accessoires non recommandés par le fabricant pour ce produit. L'utilisation de pièces et accessoires non-recommandés peut entraîner des blessures graves.

## AVERTISSEMENT :

Ne jamais utiliser aucune sorte de meules abrasives avec cette scie. L'utilisation de lames autres que pour le bois peut causer des dommages à la propriété ou des blessures graves.

## INSTALLATION / RETRAIT DU BLOC-PILES

Voir la figure 8, page 19.

- Insérer la pile dans l'outil comme illustré.
- S'assurer que les loquets de chaque côté de la pile s'enclenchent en place et que la pile est bien fixée à l'outil avant de mettre l'outil en marche.
- Relâcher les loquets pour retirer le bloc-piles.

Pour prendre connaissance des consignes de chargement, consulter le manuel d'utilisation des piles et des chargeurs.

## AVERTISSEMENT :

Les outils à piles sont toujours en état de fonctionnement. Verrouiller la gâchette lorsque l'outil n'est pas utilisé ou pour le transporter le long du corps, pour insérer ou retirer le bloc-piles et lors de l'installation ou du retrait des lames.

## REBOND

Voir les figures 9 à 13, pages 19 et 20.

On appelle rebond la projection brusque de la scie en direction de l'opérateur, causée par un blocage soudain de la lame. Le blocage de la lame est causée par son pincement dans le bois.

## APPLICATIONS

Ce produit ne doit être utilisé que pour les applications listées ci-dessous :

- Coupe de tous types de produits du bois (planches, contre-plaqué, lambrisage)

# UTILISATION

## DANGER :

Relâcher immédiatement la gâchette, si la lame ou meule cale ou se bloque. Un rebond pourrait causer la perte de contrôle de la scie. La perte du contrôle pouvant entraîner des blessures graves.

### **Pour réduire les risques de rebond, éviter les actions dangereuses, telles que celles décrites ci-dessous :**

- Réglage incorrect de la profondeur de coupe.
- Sciage de noeuds ou de clous dans le bois.
- Déviation de la lame en cours de coupe.
- Coupe avec une lame émoussée, encrassée ou mal réglée.
- Support incorrect de la pièce à couper.
- Coupe forcée.
- Coupe de planches humides ou voilées.
- Utilisation incorrecte ou abusive de l'outil.
- Plonger la lame de coupe rapidement dans la pièce à travailler.

### **Pour réduire les risques de rebond, prendre les précautions suivantes :**

- Maintenir un réglage de profondeur de coupe correct. La lame ne doit pas dépasser de plus de 6,35 mm (1/4 po) au-dessous de la planche coupée.
- S'assurer de l'absence de noeuds ou de clous dans le bois avant de scier. Ne jamais scier de noeuds ou de clous.
- Effectuer des coupes droites. Toujours utiliser un guide pour le sciage en long. Ceci évite la déviation de la lame.
- Utiliser des lames propres, bien affûtées et correctement réglées. Ne jamais couper avec une lame émoussée.
- Soutenir la pièce avant de commencer la coupe.
- Appliquer une pression constante et régulière sur la scie. Ne jamais forcer la scie.
- Ne pas couper de planches humides ou voilées.
- Tenir la scie fermement à deux mains et se tenir bien campé afin de pouvoir la maîtriser en cas de rebond.
- Pour les découpes d'évidement, laisser la lame ou meule atteindre la pleine vitesse, puis exercer une pression descendante lente et régulière pour guider la lame ou meule dans la pièce à travailler.

## AVERTISSEMENT :

Lors de l'utilisation de la scie, toujours être attentif en en contrôle de la scie. Ne pas retirer la scie de la pièce à travailler, lorsque la lame de coupe ou meule à tronçonner bouge.

## **LEVIER DE CONTRÔLE DE LA PROFONDEUR DE PLONGÉE**

Voir les figures 14 et 15, page 20.

La scie est dotée d'un levier de contrôle de la profondeur de plongée qui limite le mouvement descendant de la scie pour différentes utilisations. Le levier a trois réglages. Un pour

changer la lame, un pour entailler le matériau et un pour les coupes en plongée.

### **Position du changement de lame**

Placer le levier dans cette position permet de verrouiller la scie en position abaissée avec la vis de lame visible par la fenêtre du protège-lame.

### **Position d'entaille :**

Avec le levier en position d'entaille, le déplacement descendant de la lame est limité à une profondeur de coupe d'environ 6,35 mm. Effectuer une coupe avec la lame à cette profondeur pour entailler la pièce à travailler.

**NOTE:** Le couteau diviseur doit être enlevé pour cette coupe.

**NOTE:** Pour réduire le risque d'éclatement, toujours effectuer une coupe d'entaille avant de couper des matériaux en composite ou contreplaqués plaqués ou laminés.

### **Position de coupe en plongée :**

Déplacer le levier en position de coupe en plongée pour effectuer des coupes profondes et des coupes transversales. Quand le levier est dans cette position, la lame peut être abaissée jusqu'à la profondeur de coupe totale.

**NOTE:** Quand le levier est dans la position de coupe en plongée, utiliser le bouton de verrouillage de la profondeur pour contrôler la profondeur de la lame. Le réglage adéquat de la profondeur de la lame pour toutes les coupes ne doit pas dépasser 6,35 mm sous le matériau à couper.

## **RACCORDEMENT DE LA SCIE À UN ASPIRATEUR**

Voir la figure 16, page 20.

Lorsque la durée de coupe est longue, un tuyau d'aspirateur peut être fixé à la scie.

- Retirer le bloc-piles de la scie.
- Brancher le tuyau d'aspiration sur la sortie de poussière de la scie.

**NOTE :** Le tuyau d'aspiration s'adapte à l'intérieur ou à l'extérieur de l'orifice d'évacuation de la poussière. La scie accepte un raccord d'aspiration standard de 47,6 mm and de 31,8 mm.

- Réinstaller le bloc-piles.

## **ABAISSER ET SOULEVER LA LAME DE COUPE ET COUPEAU DIVISEUR**

Voir la figure 16, page 20.

### **Pour abaisser la lame de coupe :**

- Appuyer sur le bouton de verrouillage.
- Saisir la poignée avant et exercer une pression descendante pour abaisser et exposer la lame et couteau diviseur (si installé).

**NOTE :** Maintenir une pression descendante pour garder la lame en position abaissée.

### **Pour soulever la lame de coupe :**

- Laisser la poignée avant se lever lentement jusqu'à ce que la lame et couteau diviseur (si installé) se trouve complètement à l'intérieur du protège-lame et que la scie est en position verrouillée.



# UTILISATION

## UTILISATION DU BOUTON DE VERROUILLAGE DE LA PROFONDEUR

Voir la figure 17, page 21.

Toujours maintenir un réglage de profondeur de coupe correct. Quelle que soit le type de coupe, la lame ne doit pas dépasser de plus de 6,4 mm (1/4 po) au-dessous de la pièce coupée. Un dépassement plus important augmente le risque de rebond et nuit à la netteté de la coupe. Pour une profondeur de coupe plus précise, des échelles se trouvent à l'avant de l'outil et sur le protège-lame.

- Retirer le bloc-pile de la scie.
- Desserrer le bouton de verrouillage de profondeur.
- Déterminer la profondeur de coupe voulue.
- Déplacer le bouton de verrouillage de la profondeur vers le haut ou le bas pour aligner l'indicateur de la profondeur de coupe sur le réglage de profondeur souhaité.
- Serrer fermement le bouton de verrouillage de profondeur de coupe.

## LAMES DE SCIE

La meilleure des lames ne coupera efficacement que si elle est propre, bien affûtée et correctement installée. L'usage d'une lame émoussée impose une forte charge sur la scie et accroît le risque de rebond. Garder des lames de rechange à portée de la main afin de toujours disposer d'un outil affûté.

Les résidus gommeux et la résine séchés sur la lame causent également un ralentissement de la scie. Retirer la lame de la scie et éliminer ces résidus avec un produit spécialement conçu à cet effet, de l'eau chaude ou du kérosène. **NE PAS UTILISER DE L'ESSENCE.**

## MISE EN MARCHÉ ET ARRÊT DE LA SCIE

Voir la figure 18, page 21.

### **AVERTISSEMENT :**

Toujours s'assurer que le bouton du dispositif de verrouillage de la broche est complètement enfoncé avant de mettre l'outil en marche.

### **Pour mettre la scie en marche :**

- Installer le bloc-piles.
- Appuyer sur le bouton de verrouillage.
- Appuyer sur la gâchette.

Toujours laisser la lame atteindre la pleine vitesse, puis la guider lentement dans la pièce à travailler.

### **AVERTISSEMENT :**

Si la lame touche la pièce à travailler avant d'atteindre la pleine vitesse ou si la scie plonge trop rapidement dans la pièce à travailler, la scie pourrait « reculer » vers vous et ainsi entraîner de graves blessures. Tenir fermement la scie avec les deux mains et positionner les bras de sorte à résister à la force de tout recul.

**Pour arrêter la scie :** relâcher la gâchette.

Après avoir relâché l'interrupteur à gâchette, attendre que la lame s'arrête complètement. Laisser la poignée avant se lever lentement jusqu'à ce que la lame se trouve complètement à l'intérieur du protège-lame et que la scie est en position verrouillée. **Ne pas retirer la scie de la pièce à travailler, lorsque la lame ou meule bouge.**

## BOUTON DE VERROUILLAGE

Voir la figure 18, page 21.

Cette scie est équipée d'un bouton de verrouillage pour réduire le risque de démarrage accidentel. Ce bouton se trouve sur la poignée, au-dessus de la gâchette. Le bouton de verrouillage doit être verrouillé avant d'appuyer sur la gâchette. Le bouton se désengage automatiquement lorsque la gâchette est relâchée. Quand la scie est levée dans sa position la plus haute, elle sera verrouillée dans cette position. Appuyer sur le bouton de verrouillage pour déverrouiller la scie.

## UTILISATION DU RAIL

Voir les figures 19 à 26, pages 21 et 22.

La scie peut être utilisée avec ou sans rail. Pour utiliser la scie avec un rail, sécuriser le rail à la pièce à travailler, puis fixer la scie au rail. Si plusieurs rails sont utilisés, assembler et sécuriser les rails ensemble comme il est décrit dans la section *Assemblage*.

### **AVERTISSEMENT :**

Lors d'une coupe le long de plusieurs rails, vérifier toujours que les rails sont correctement assemblés et alignés. Couper le long de rails mal assemblés et mal alignés peut causer un déplacement inattendu de la scie, ce qui pourrait entraîner des blessures graves ou des dommages matériels.

### **Pour tailler la bande de caoutchouc sur les rails :**

- Enlever le bloc-piles et le couteau diviseur de la scie.  
**NOTE :** Toujours retirer le couteau diviseur pour les coupes non transversales et les coupes d'évidement.
- Placer la chute de matériau sur un établi, une table ou tout autre support adéquat. Le matériau doit être aussi long ou plus long que les rails à préparer pour l'utilisation.  
**NOTE :** Chaque rail a une longueur de 69,85 cm.
- Placer le rail sur la chute de matériau.
- Utiliser la pince à rail pour sécuriser le rail et la chute de matériau au support.
- Tenir la scie au-dessus du rail avec la lame faisant face à la bande de caoutchouc.
- Aligner la fente de la base de la scie sur la languette surélevée du rail. Ensuite, abaisser la scie sur le rail.
- Contrôler le jeu à l'avant et à l'arrière de la scie, puis assurer que la scie glisse sans difficulté le long des rails.
- Si nécessaire, desserrer les boutons de verrouillage sécurisant les languettes d'ajustement du rail. Tourner les languettes jusqu'à éliminer l'ensemble du jeu (gauche et droit) et jusqu'à ce que la scie bouge librement (vers l'avant et l'arrière). Serrer les boutons de verrouillage.

# UTILISATION

- Placer le levier de contrôle de la profondeur de plongée dans la position d'entaille.
- Réinstaller le bloc-piles.
- Glisser la scie jusqu'au rail d'extrémité du début et vérifier que la lame est positionnée pour couper tout le caoutchouc.
- Démarrer la scie et la laisser atteindre sa pleine vitesse.
- Abaisser délicatement la lame jusqu'à ce qu'elle touche la pièce à travailler.
- Guider la scie en marche avant le long du rail pour tailler la bande de caoutchouc.

**NOTE :** Après avoir taillé la bande de caoutchouc, elle peut servir à indiquer avec précision la ligne de coupe de la lame.

- Relâcher la gâchette et laisser la lame s'arrêter complètement.
- Laisser la poignée avant se lever lentement jusqu'à ce que la lame se trouve complètement à l'intérieur du protège-lame et que la scie est en position verrouillée.
- Retirer le bloc-pile de la scie.
- Retirer la scie du rail et réinstaller le couteau diviseur.

**NOTE :** Une fois correctement installé, le couteau diviseur doit être à 5,00 mm de la lame. Si nécessaire, desserrer la vis et repositionner le couteau diviseur.

- Desserrer et retirer la pince à rail.
- Jeter la chute de matériau.

## Pour effectuer les coupes le long du rail :

- Sécuriser la pièce à travailler sur un établi, une table ou tout autre support adéquat.
- Placer le rail sur la pièce à travailler et positionner la bande de caoutchouc le long de votre ligne de coupe désirée.
- En utilisant la pince à rail, serrer légèrement le rail à la pièce à travailler.
- Glisser le rail jusqu'au bout de la pièce à travailler et continuer à glisser jusqu'à ce qu'une partie du rail dépasse le bord de la pièce à travailler.
- Serrer complètement à la pince à rail
- Placer la scie sur le rail et ajuster au besoin.
- Effectuer une des opérations de coupe décrites plus tard dans cette section.
- Relâcher la gâchette et laisser la lame s'arrêter complètement.
- Laisser la poignée avant se lever lentement jusqu'à ce que la lame se trouve complètement à l'intérieur du protège-lame et que la scie est en position verrouillée.
- Retirer le bloc-piles de la scie.

## UTILISATION DE LA SCIE

Voir les figures 27 à 29, page 22.

Il est essentiel de comprendre la méthode correcte d'utilisation de la scie. Voir les illustrations de cette section montrant les façons correctes et incorrectes d'utiliser la scie.

### **AVERTISSEMENT :**

Pour un sciage plus facile et plus sécurisé, toujours maintenir un contrôle ferme de la scie en la tenant fermement avec les deux mains. Une perte de contrôle peut entraîner des blessures graves.

Pour obtenir une qualité de coupe maximum, suivre les conseils ci-dessous.

- Tenir la scie fermement, à deux mains.
- Éviter de placer la main sur la pièce pendant la coupe.
- Soutenir la planche de manière à ce le trait de scie se trouve toujours à droite du corps.
- Soutenir la pièce à couper près du trait de scie.
- Utiliser des pinces ou d'autres dispositifs pratiques pour sécuriser la pièce à travailler de sorte à ce qu'elle ne bouge pas pendant la coupe.
- Toujours placer la scie et le rail sur la pièce à travailler qui est soutenue, pas la pièce « de découpe ».
- Si possible, placer la pièce de travail avec le « bon » côté orienté vers le bas.
- Pour réduire le risque d'éclatement, toujours effectuer une coupe d'entaille avant de couper des matériaux en composite ou contreplaqués plaqués ou laminés.
- Pour une coupe sans rail, tracer une ligne guide le long de la ligne de coupe désirée avant de commencer votre coupe.
- Pour une coupe le long d'un rail, utiliser la bande de caoutchouc pour indiquer la ligne de coupe de la lame.
- Pour une coupe le long d'un rail, exercer une pression descendante et déplacer délicatement la scie vers l'avant. Ne pas forcer la scie et **NE JAMAIS** tirer la scie vers l'avant lorsque la scie fonctionne (allumée).

### **AVIS :**

Toutes les opérations de coupe décrites dans le présent manuel peuvent être réalisées avec ou sans rail.

## COUPE TRANSVERSALE ET REFENTE

Voir les figures 30 à 32, page 22.

### **AVERTISSEMENT :**

Toujours s'assurer que le couteau diviseur est en place et fonctionnent correctement pendant les coupes afin d'éviter le risque de blessures.

Il est possible de réaliser les coupes perpendiculairement au sens du grain du bois (coupes transversales) ou dans le sens du grain du bois (coupes longitudinales).

# UTILISATION

Inspecter le bois avant d'effectuer une coupe. Il ne devrait pas y avoir de clous ou d'objets étrangers dans la pièce à travailler. Il ne devrait pas y avoir de clous ou d'objets étrangers dans la pièce à travailler.

Pour effectuer une coupe transversale ou longitudinale le long d'un rail, aligner la ligne de coupe sur la bande de caoutchouc d'un rail.

## COUPE LONGITUDINALE LE LONG D'UN RAIL

- Enlever le bloc-piles et installer le couteau diviseur.  
**NOTE :** Toujours installer le couteau diviseur pour les coupes transversales (à l'exception des coupes d'évidement).
- Assujettir la pièce à couper sur un établi, une table ou autre support approprié.
- Placer le levier de contrôle de la profondeur de plongée dans la position de coupe en plongée.
- Régler la lame sur la profondeur de coupe correcte.
- Installer le tuyau d'aspiration (non fourni), au besoin.
- Placer le rail sur la pièce à travailler et positionner la bande de caoutchouc le long de votre ligne de coupe désirée.
- Serrer le rail à la pièce à travailler comme il est décrit précédemment.
- Placer la scie sur le rail et ajuster au besoin.
- Réinstaller le bloc-piles.
- Glisser la scie jusqu'au rail d'extrémité du début et vérifier que la lame est positionnée pour couper toute la pièce à travailler.
- Mettre la scie en marche et laisser la lame parvenir à sa vitesse maximum.
- Abaisser délicatement la lame jusqu'à ce qu'elle touche la pièce à travailler.
- Guider la scie en marche avant le long du rail pour obtenir une coupe longitudinale droite.

**NOTE :** Veiller à éviter que la lame ne se coince dans la coupe

**NOTE:** Pour réduire le risque d'éclatement, toujours effectuer une coupe d'entaille avant de couper des matériaux en composite ou contreplaqués plaqués ou laminés.

- Relâcher la gâchette et laisser la lame parvenir à l'arrêt complet.
- Laisser la poignée avant se lever lentement jusqu'à ce que la lame se trouve complètement à l'intérieur du protège-lame et que la scie est en position verrouillée.
- Retirer le bloc-piles de la scie.

## COUPE LONGITUDINALE SANS RAIL

- Enlever le bloc-piles et installer le couteau diviseur.  
**NOTE :** Toujours installer le couteau diviseur pour les coupes transversales (à l'exception des coupes d'évidement).
- Assujettir la pièce à couper sur un établi, une table ou autre support approprié.

- Placer le levier de contrôle de la profondeur de plongée dans la position de coupe en plongée.
- Régler la lame sur la profondeur de coupe correcte.
- Installer le tuyau d'aspiration (non fourni), au besoin.
- Assujettir une pièce rectiligne sur la pièce à couper, au moyen de serre-joints.
- Réinstaller le bloc-piles.
- Placer le devant de la base à plat contre la pièce à travailler.
- Mettre la scie en marche et laisser la lame parvenir à sa vitesse maximum.
- Abaisser délicatement la lame jusqu'à ce qu'elle touche la pièce à travailler.
- Scier le long du bord droit en marche avant pour obtenir une coupe longitudinale droite.  
**NOTE :** Veiller à éviter que la lame ne se coince dans la coupe  
**NOTE:** Pour réduire le risque d'éclatement, toujours effectuer une coupe d'entaille avant de couper des matériaux en composite ou contreplaqués plaqués ou laminés.
- Relâcher la gâchette et laisser la lame parvenir à l'arrêt complet.
- Laisser la poignée avant se lever lentement jusqu'à ce que la lame se trouve complètement à l'intérieur du protège-lame et que la scie est en position verrouillée.
- Retirer le bloc-piles de la scie.

## COUPE EN BISEAU

*Voir les figures 33 à 36, page 23 .*

Une coupe en biseau est réalisée en coupant la pièce, avec la lame en biais.

## COUPE EN BISEAU LE LONG D'UN RAIL

**NOTE :** Toujours utiliser la caractéristique antibasculer lors d'une coupe en biseau le long d'un rail, pour empêcher le basculement ou le déséquilibre de la scie.

- Enlever le bloc-piles et installer le couteau diviseur.  
**NOTE :** Toujours installer le couteau diviseur pour les coupes transversales (à l'exception des coupes d'évidement).
- Assujettir la pièce à couper sur un établi, une table ou autre support approprié.
- Placer le levier de contrôle de la profondeur de plongée dans la position de coupe en plongée.
- Régler la lame sur la profondeur de coupe correcte.
- Installer le tuyau d'aspiration (non fourni), au besoin.
- Placer le rail sur la pièce à travailler et positionner la bande de caoutchouc le long de votre ligne de coupe désirée.
- Serrer le rail à la pièce à travailler comme il est décrit précédemment.
- Desserrer le bouton antibasculer et le basculer vers l'intérieur pour prolonger la plaque de verrouillage.
- Serrer le bouton antibasculer.

# UTILISATION

- Tenir la scie en angle et guider la plaque de verrouillage sous le rebord du rail.

- Placer le reste de la scie sur le rail et ajuster au besoin.

**NOTE :** Pour retirer la scie du rail, desserrer le bouton antibasculer et le basculer vers l'extérieur pour rétracter la plaque de verrouillage et tirer la scie vers le haut et loin du rail.

- Dévisser le bouton de verrouillage de biseau et déplacer la scie vers l'angle de biseau gauche désiré.
- L'angle de biseau est réglable de  $-1^{\circ}$  à  $48^{\circ}$ .

**NOTE :** Utiliser le levier de contournement de biseau pour obtenir des angles de biseau entre  $45^{\circ}$  et  $48^{\circ}$ . Utiliser la languette de contournement négative pour obtenir un angle de biseau de  $-1^{\circ}$ . Consulter les **Réglages du biseau prolongé** dans la présente section.

- Serrer le bouton de verrouillage du biseau.

## AVERTISSEMENT :

Ne pas essayer de pratiquer une coupe en biseau sans avoir vérifié que le bouton de verrouillage du biseau est solidement verrouillé, car cela présenterait des risques de blessures graves.

- Réinstaller le bloc-piles.
- Glisser la scie jusqu'au rail d'extrémité du début et vérifier que la lame est positionnée pour couper toute la pièce à travailler.
- Mettre la scie en marche et laisser la lame parvenir à sa vitesse maximum.
- Abaisser délicatement la lame jusqu'à ce qu'elle touche la pièce à travailler.
- Guider la scie en marche avant le long du rail pour obtenir une coupe en biseau.

**NOTE :** Veiller à éviter que la lame ne se coince dans la coupe

**NOTE:** Pour réduire le risque d'éclatement, toujours effectuer une coupe d'entaille avant de couper des matériaux en composite ou contreplaqués plaqués ou laminés.

- Relâcher la gâchette et laisser la lame parvenir à l'arrêt complet.
- Laisser la poignée avant se lever lentement jusqu'à ce que la lame se trouve complètement à l'intérieur du protège-lame et que la scie est en position verrouillée.
- Retirer le bloc-piles de la scie.

## COUPE EN BISEAU SANS RAIL

- Enlever le bloc-piles et installer le couteau diviseur.

**NOTE :** Toujours installer le couteau diviseur pour les coupes transversales (à l'exception des coupes d'évidement).

- Assujettir la pièce à couper sur un établi, une table ou autre support approprié.
- Placer le levier de contrôle de la profondeur de plongée dans la position de coupe en plongée.

- Régler la lame sur la profondeur de coupe correcte.
- Installer le tuyau d'aspiration (non fourni), au besoin.
- Dévisser le bouton de verrouillage de biseau et déplacer la scie vers l'angle de biseau gauche désiré.
- L'angle de biseau est réglable de  $-1^{\circ}$  à  $48^{\circ}$ .

**NOTE :** Utiliser le levier de contournement de biseau pour obtenir des angles de biseau entre  $45^{\circ}$  et  $48^{\circ}$ . Utiliser la languette de contournement négative pour obtenir un angle de biseau de  $-1^{\circ}$ . Consulter les **Réglages du biseau prolongé** dans la présente section.

- Serrer le bouton de verrouillage du biseau.

## AVERTISSEMENT :

Ne pas essayer de pratiquer une coupe en biseau sans avoir vérifié que le bouton de verrouillage du biseau est solidement verrouillé, car cela présenterait des risques de blessures graves.

- Réinstaller le bloc-piles.
- Placer le devant de la base à plat contre la pièce à travailler.
- Mettre la scie en marche et laisser la lame parvenir à sa vitesse maximum.
- Abaisser délicatement la lame jusqu'à ce qu'elle touche la pièce à travailler.
- Guider la lame hacia la pieza de trabajo y corte ésta.  
**NOTE :** Veiller à éviter que la lame ne se coince dans la coupe
- Relâcher la gâchette et laisser la lame parvenir à l'arrêt complet.
- Laisser la poignée avant se lever lentement jusqu'à ce que la lame se trouve complètement à l'intérieur du protège-lame et que la scie est en position verrouillée.
- Retirer le bloc-piles de la scie.

## RÉGLAGES DU BISEAU PROLONGÉ

*Voir les figures 37 et 38, page 23 .*

La capacité en biseau prolongé de la scie permet de faire des coupes en biseau de  $-1^{\circ}$  à  $48^{\circ}$ .

**NOTE:** Toujours utiliser la caractéristique antibasculer lors d'une coupe en biseau le long d'un rail, pour empêcher le basculement ou le déséquilibre de la scie.

### Pour obtenir des angles de biseau entre $45^{\circ}$ et $48^{\circ}$ :

- Retirer le bloc-piles.
- Tourner le levier de contournement de biseau complètement en sens horaire pour changer la limite de biseau supérieure de  $45^{\circ}$  à  $48^{\circ}$ .

**NOTE :** Tourner le levier complètement en sens antihoraire pour remettre la limite de biseau supérieure à  $45^{\circ}$ .

- Desserrer les boutons de verrouillage de biseau et déplacer la scie vers l'angle de biseau désiré.
- Serrer les boutons de verrouillage de biseau.

# UTILISATION

## Pour obtenir un angle de biseau de $-1^\circ$ :

- Retirer le bloc-piles.
- Tourner la languette de contournement négative à l'arrière de la scie complètement en sens antihoraire.
- Tourner la languette de contournement négative à l'avant de la scie complètement en sens horaire.
- Desserrer les boutons de verrouillage de biseau et déplacer la scie vers l'angle de biseau désiré.  
**NOTE** : Une pression légère peut être nécessaire pour déplacer la scie de  $0^\circ$  à  $-1^\circ$ .
- Serrer les boutons de verrouillage de biseau.

## ÉVIDEMENTS

Voir la figure 39, page 23.

### AVERTISSEMENT :

Toujours mettre le réglage de biseau sur zéro avant de pratiquer un évidement. La découpe d'un évidement avec un quelconque autre réglage peut causer la perte de contrôle de la scie et entraîner des blessures graves.

- Enlever le bloc-piles et le couteau diviseur.  
**NOTE**: Toujours retirer le couteau diviseur pour les coupes non transversales et les coupes d'évidement.
- Assujettir la pièce à couper sur un établi, une table ou autre support approprié.
- Placer le levier de contrôle de la profondeur de plongée dans la position de coupe en plongée.
- Régler la lame sur la profondeur de coupe correcte.

- Serrer le rail à la pièce à travailler et placer la scie sur le rail, au besoin.
- Installer le tuyau d'aspiration (non fourni), au besoin.
- Réinstaller le bloc-piles.
- Placer la scie en position.
- Reposer la base à plat contre la pièce à travailler.
- Mettre la scie en marche et laisser la lame parvenir à sa vitesse maximum.
- Abaisser lentement la lame dans la pièce à travailler et effectuer la coupe. En cas de coupe le long d'un rail, abaisser la lame dans la pièce à travailler et guider la scie le long du rail à la longueur de coupe désirée.

**NOTE**: Pour réduire le risque d'éclatement, toujours effectuer une coupe d'entaille avant de couper des matériaux en composite ou contreplaqués plaqués ou laminés.

### AVERTISSEMENT :

Toujours couper vers l'avant lors des évidements. La coupe en arrière pourrait causer la projection de la scie en arrière, en direction de l'opérateur.

- Relâcher la gâchette et laisser la lame parvenir à l'arrêt complet.
- Laisser la poignée avant se lever lentement jusqu'à ce que la lame se trouve complètement à l'intérieur du protège-lame et que la scie est en position verrouillée.
- Repositionner la scie et le rail (le cas échéant) et répéter les étapes ci-dessus pour le reste des lignes de coupe.
- Dégager les coins avec une scie à main, une scie sauteuse ou un ciseau.

# RÉGLAGES

### AVERTISSEMENT :

Pour empêcher un démarrage accidentel pouvant entraîner des blessures graves, toujours retirer le bloc de bloc-pile de l'produit avant d'assembler des pièces.

## AJUSTEMENT DE LA BASE PARALLÈLEMENT À LA LAME

Voir les figures 40 et 41, page 24.

- Retirer le bloc-piles.
- Placer la scie en position retournée sur un établi.
- Retirer le boulon et la rondelle près du centre de la base.  
**NOTE** : La rondelle se trouve entre la base et le protège-lame.
- Tourner la scie sur le bon côté.
- Glisser le cône de ressort loin du support dans la base.

- Enlever le ressort de compression du cône.
- Glisser le ressort de compression vers le bas et loin de l'ouverture dans le boîtier de scie.
- Placer le levier de contrôle de la profondeur de plongée dans la position de coupe en plongée.
- Abaisser complètement la lame.
- Retourner la scie.
- Tracer une marque à côté d'une dent de lame à l'avant de la lame. En utilisant une règle, mesurer la distance entre la dent de la lame et le bord de la base de la scie indiquée dans la figure 41.
- Tourner la lame de sorte que la dent marquée se trouve au dos.
- Déplacer la règle à l'arrière et mesurer de nouveau la distance entre la dent de la lame et le bord de la base de la scie. Si les distances sont identiques, la lame et la base sont parallèles.
- Réassembler le ressort, le cône de ressort, la rondelle et la vis.

# RÉGLAGES

## Si les distances mesurées sont différentes :

- Retirer le bloc-piles.
- Retirer la vis près du centre de la base, la rondelle, le ressort de compression et le cône.
- Placer le levier de contrôle de la profondeur de plongée dans la position de coupe en plongée.
- Abaisser complètement la lame.
- Retourner la scie.
- Desserrer, mais ne pas enlever les vis situées à l'avant et l'arrière de la base.
- Ajuster la base jusqu'à ce qu'elle soit parallèle à la base de la scie.
- Serrer les vis. Vérifier de nouveau l'équerrage et poursuivre le réglage au besoin.
- Réassembler le ressort, le cône de ressort, la rondelle et la vis.

## RÉGLAGE DE LA LAME À 0 ET 45°

Voir les figures 42 à 44, pages 24 et 25.

La scie a été réglée en usine et, à moins qu'elle ait été endommagée en cours de transport, aucun réglage ne devrait être nécessaire. Après un usage prolongé, il peut être nécessaire de vérifier les réglages.

- Retirer le bloc-piles.
- Retirer la vis près du centre de la base, la rondelle, le ressort de compression et le cône.
- Placer le levier de contrôle de la profondeur de plongée dans la position de coupe en plongée.

### Pour vérifier l'équerrage (biseau à 0°) :

- Desserrer les boutons de verrouillage de biseau et incliner la scie à 0°.
- Serrer le bouton de verrouillage du biseau.
- Abaisser complètement la lame.
- Placer la scie en position retournée sur un établi.
- Vérifier l'équerrage de la lame de scie à la base de la scie en utilisant une équerre de charpentier.

## Si la lame n'est pas exactement à 90° (biseau à 0°) :

- Desserrer les écrous hexagonaux sécurisant les vis de réglage.
- Tourner les vis de réglage et ajuster la base jusqu'à ce qu'elle soit perpendiculaire à la lame de la scie.
- Serrer fermement les écrous hexagonaux et les boutons de verrouillage de biseau.

### Dès que la lame est perpendiculaire à la base (biseau à 0°) :

- Vérifier l'indicateur de biseau.
- Si l'indicateur ne pointe pas vers la marque 0° sur l'échelle du biseau, desserrer la vis d'ajustement de l'indicateur et régler l'indicateur.

**NOTE :** Incliner la scie à 45° et revérifier l'indicateur.

- Retighten screw.

### Pour vérifier l'équerrage (biseau à 45°) :

- Desserrer les boutons de verrouillage de biseau et incliner la scie à 45°.
- Serrer le bouton de verrouillage du biseau.
- Abaisser complètement la lame.
- Placer la scie en position retournée sur un établi.
- Vérifier l'équerrage de la lame de scie à la base de la scie en utilisant une équerre de charpentier.

## Si la lame n'est pas exactement à 45° :

- Tourner la vis d'arrêt de 45° un quart de tour en sens horaire ou antihoraire jusqu'à ce que la lame soit perpendiculaire.
- Serrer le bouton de verrouillage du biseau.

### Dès que la lame est à 45° de la table :

- Vérifier l'indicateur de biseau.
- Si l'indicateur n'indique pas la marque 45° sur le rapporteur d'angle de biseau, desserrer les vis d'ajustement de l'indicateur et ajustez l'indicateur.

**NOTE:** Incliner la scie à 0° et revérifier l'indicateur.

- Resserrer les vis.

## Quand tous les ajustements sont complets :

- Réassembler le ressort, le cône de ressort, la rondelle et la vis.

# ACCESSOIRES

Rechercher ces accessoires où vous avez acheté ce produit ou en appelant au 1-800-525-2579:

- Assemblage de rails de 69,85 cm (27,5 po)  
[dont deux connecteurs, des vis de réglage et des bandes de caoutchouc] ..... 089240074701
- Assemblage de rails de 139,7 cm (55 po)  
[dont deux connecteurs, des vis de réglage et des bandes de caoutchouc] ..... 089240074710
- Assemblage de connecteurs de rail (dont deux connecteurs et des vis de réglage) ..... 089240074711
- Couteau diviseur ..... 089240074115
- Bande de caoutchouc de 69,85 cm (27,5 po) ..... 089240074117
- Bande de caoutchouc de 139,7 cm (55 po) ..... 089240074116
- Languette d'ajustement du rail ..... 089240074118 (avant) et 089240074119 (arrière)
- Lame de 16,51 cm (6-1/2 po) ..... 089240074110
- Ensemble de pince à rail ..... 089240074712

## AVERTISSEMENT :

Les outils et accessoires disponibles actuellement pour cet outil sont listés ci-dessus. Ne pas utiliser d'outils ou accessoires non recommandés pour cet outil. L'utilisation de pièces et accessoires non recommandés peut entraîner des blessures graves.

# ENTRETIEN

## AVERTISSEMENT :

Utiliser exclusivement des pièces d'origine pour les réparations. L'usage de toute autre pièce pourrait créer une situation dangereuse ou endommager l'outil.

## AVERTISSEMENT :

Always wear eye protection with side shields marked to comply with ANSI Z87.1. Failure to do so could result in objects being thrown into your eyes resulting in possible serious injury.

## AVERTISSEMENT :

Pour éviter les blessures graves, toujours retirer le bloc-piles de l'outil avant de le nettoyer, de l'entretenir ou de le ranger.

## ENTRETIEN GÉNÉRAL

Éviter d'utiliser des solvants pour le nettoyage des pièces en plastique. La plupart des matières plastiques peuvent être endommagées par divers types de solvants du commerce. Utiliser un chiffon propre pour éliminer la saleté, la poussière, l'huile, la graisse, etc.

## AVERTISSEMENT :

Ne jamais laisser de liquides tels que le fluide de freins, l'essence, les produits à base de pétrole, les huiles pénétrantes, etc., entrer en contact avec les pièces en plastique. Les produits chimiques peuvent endommager, affaiblir ou détruire le plastique, ce qui peut entraîner des blessures graves.

## REPLACEMENT DE LA LANGUETTE D'AJUSTEMENT DU RAIL

Voir la figure 46, page 25.

Après une longue utilisation, la languette d'ajustement du rail peut s'user et doit être remplacée. **Pour remplacer la languette :**

- Retirer le bloc-piles.
- Retirer la scie du rail.
- Desserrer et retirer le bouton de verrouillage.
- Enlever la rondelle et la languette d'ajustement du rail.
- Placer la nouvelle languette d'ajustement du rail sur le trou de la base.

**NOTE :** Des languettes d'ajustement du rail se trouvent à l'avant et l'arrière de la scie. Ces languettes ne sont pas interchangeables. Utiliser toujours des pièces de rechange identiques.

- Sécuriser la languette en place en utilisant la rondelle et le bouton de verrouillage.
- Placer la scie sur le rail et ajuster les languettes au besoin.

**NOTE: ILLUSTRATIONS COMMENCE À LA PAGE 17  
APRÈS LES SECTION EN ESPAGNOL.**

# ADVERTENCIAS DE SEGURIDAD PARA HERRAMIENTAS ELÉCTRICAS

## ADVERTENCIA:

Lea todas las advertencias, instrucciones, ilustraciones y especificaciones proporcionadas con esta herramienta eléctrica. No seguir las instrucciones indicadas a continuación puede provocar descargas eléctricas, incendios o lesiones graves.

Guarde todas las advertencias e instrucciones para consultarlas en el futuro. El término “herramienta eléctrica” en las advertencias se refiere a las herramientas eléctricas que funcionan con corriente (con cordón) o las que funcionan con batería (inalámbricas).

## SEGURIDAD EN EL ÁREA DE TRABAJO

- **Mantenga limpia y bien iluminada el área de trabajo.** Un área de trabajo mal despejada o mal iluminada propicia accidentes.
- **No utilice herramientas motorizadas en atmósferas explosivas, como las existentes alrededor de líquidos, gases y polvos inflamables.** Las herramientas eléctricas generan chispas que pueden encender el polvo y los vapores inflamables.
- **Mantenga alejados a los niños y circunstantes al maniobrar una herramienta eléctrica.** Toda distracción puede causar la pérdida del control de la herramienta.

## SEGURIDAD ELÉCTRICA

- **Las clavijas de las herramientas eléctricas deben corresponder a las tomas de corriente donde se conectan. Nunca modifique la clavija de ninguna forma. No utilice ninguna clavija adaptadora con herramientas eléctricas dotadas de contacto a tierra.** Conectando las clavijas originales en las tomas de corriente donde corresponden se disminuye el riesgo de una descarga eléctrica.
- **Evite el contacto del cuerpo con las superficies de objetos conectados a tierra, como las tuberías, radiadores, estufas y refrigeradores.** Existe un mayor riesgo de descargas eléctricas si el cuerpo está haciendo tierra.
- **No exponga las herramientas eléctricas a la lluvia ni a condiciones de humedad.** La introducción de agua en una herramienta eléctrica aumenta el riesgo de descargas eléctricas.
- **No maltrate el cordón eléctrico. Nunca utilice el cordón para trasladar, desconectar o tirar de la herramienta eléctrica. Mantenga el cordón lejos del calor, aceite, bordes afilados y piezas móviles.** Los cordones eléctricos dañados o enredados aumentan el riesgo de descargas eléctricas.
- **Al utilizar una herramienta eléctrica a la intemperie, use un cordón de extensión apropiado para el exterior.** Usando un cordón adecuado para el exterior se disminuye el riesgo de descargas eléctricas.
- **Si debe operar una herramienta en lugares húmedos, use un suministro protegido por un interruptor de circuito con pérdida a tierra (GFCI).** El uso de un GFCI reduce el riesgo de descargas eléctricas.
- **Usar este producto únicamente con la baterías y el cargador indicados en el folleto de la herramienta/aparato/paquete de baterías/cargador complementario 987000-432.**

## SEGURIDAD PERSONAL

- **Permanezca alerta, preste atención a lo que esté haciendo y aplique el sentido común al utilizar herramientas eléctricas. No**

utilice la herramienta eléctrica si está cansado o se encuentra bajo los efectos de alguna droga, alcohol o medicamento. Un momento de inatención al utilizar una herramienta eléctrica puede causar lesiones corporales serias.

- **Utilice protección el equipo otros. Siempre póngase protección ocular.** El uso de equipo protector como mascarilla para el polvo, calzado de seguridad, casco y protección para los oídos en las circunstancias donde corresponda disminuye el riesgo de lesiones.
- **Evite que la herramienta se active accidentalmente. Asegúrese de que el interruptor esté en la posición de apagado antes de conectar la herramienta a un suministro de corriente o de colocar un paquete de baterías.** Transportar herramientas eléctricas con el dedo en el interruptor o enchufar herramientas eléctricas que tienen el interruptor encendido puede ocasionar accidentes.
- **Retire toda llave o herramienta de ajuste antes de encender la herramienta eléctrica.** Toda llave o herramienta de ajuste dejada en una pieza giratoria de la herramienta eléctrica puede causar lesiones.
- **No estire el cuerpo para alcanzar mayor distancia. Mantenga una postura firme y buen equilibrio en todo momento.** De esta manera se logra un mejor control de la herramienta eléctrica en situaciones inesperadas.
- **Vístase adecuadamente. No vista ropas holgadas ni joyas. Mantenga el cabello, la ropa y los guantes alejados de las piezas móviles.** Las ropas holgadas y las joyas, así como el cabello largo, pueden engancharse en las piezas móviles.
- **Si se suministran dispositivos para conectar mangueras de extracción y captación de polvo, asegúrese de que éstas estén bien conectadas y se usen correctamente.** El uso de la captación de polvo puede reducir los peligros relacionados con éste.
- **No permita que la familiaridad obtenida por el uso frecuente de las herramientas lo vuelva complaciente e ignore los principios de seguridad de las herramientas.** Una acción descuidada puede causar lesiones graves en una fracción de segundo.
- **No vista ropas holgadas ni joyas. Recójase el cabello si está largo.** Las ropas holgadas y las joyas, así como el cabello largo, pueden resultar atraídas hacia el interior de las aberturas de ventilación.
- **No utilice la unidad al estar en una escalera o en un soporte inestable.** Una postura estable sobre una superficie sólida permite un mejor control de la herramienta eléctrica en situaciones inesperadas.

## EMPLEO Y CUIDADO DE LA HERRAMIENTA ELÉCTRICA

- **No fuerce la herramienta eléctrica. Utilice la herramienta eléctrica adecuada para cada trabajo.** La herramienta eléctrica adecuada efectúa mejor y de manera más segura el trabajo, si además se maneja a la velocidad para la que está diseñada.
- **No utilice la herramienta si el interruptor no enciende o no apaga.** Cualquier herramienta eléctrica que no pueda controlarse con el interruptor es peligrosa y debe repararse.
- **Desconecte el enchufe de la fuente de alimentación o retire el paquete de baterías, si es desmontable, de la herramienta eléctrica antes de realizar ajustes, cambiar accesorios**



# ADVERTENCIAS DE SEGURIDAD PARA HERRAMIENTAS ELÉCTRICAS

o almacenar herramientas eléctricas. Tales medidas preventivas de seguridad reducen el riesgo de poner en marcha accidentalmente la herramienta.

- **Guarde las herramientas eléctricas desocupadas fuera del alcance de los niños y no permita que las utilicen personas no familiarizadas con las mismas o con estas instrucciones.** Las herramientas eléctricas son peligrosas en manos de personas no capacitadas en el uso de las mismas.
- **Mantenimiento de las herramientas eléctricas y accesorios.** Revise para ver si hay desalineación o atoramiento de piezas móviles, ruptura de piezas o toda otra condición que pueda afectar el funcionamiento de la herramienta eléctrica. Si está dañada la herramienta eléctrica, permita que la reparen antes de usarla. Numerosos accidentes son causados por herramientas eléctricas mal cuidadas.
- **Mantenga las herramientas de corte afiladas y limpias.** Las herramientas de corte bien cuidadas y con bordes bien afilados, tienen menos probabilidad de atascarse en la pieza de trabajo y son más fáciles de controlar.
- **Use la herramienta eléctrica, los accesorios, las brocas, etc. según estas instrucciones, teniendo en cuenta las condiciones de trabajo y la tarea que se va a realizar.** Si se utiliza la herramienta eléctrica para operaciones diferentes de las indicadas podría originar una situación peligrosa.
- **Mantenga los mangos y superficies de agarre limpias y libres de aceite y grasa.** Los mangos y superficies de agarre resbalosas no permiten la manipulación y control seguro de la herramienta en situaciones inesperadas.

## EMPLEO Y CUIDADO DE LA HERRAMIENTA DE BATERÍAS

- **Sólo cargue el paquete de baterías con el cargador especificado por el fabricante.** Un cargador adecuado para un tipo paquete de baterías puede significar un riesgo de incendio si se emplea con un paquete de baterías diferente.

- **Utilice las herramientas eléctricas sólo con los paquetes de baterías específicamente indicados.** El empleo de paquetes de baterías diferentes puede presentar un riesgo de incendio.
- **Cuando no esté utilizándose el paquete de baterías, manténgalo lejos de otros objetos metálicos, como clips, monedas, llaves, clavos, tornillos o otros objetos metálicos, pequeños que puedan establecer conexión entre ambas terminales.** Establecer una conexión directa entre las dos terminales de las baterías puede causar quemaduras o incendios.
- **Si se maltratan las baterías, puede derramarse líquido de las mismas; evite todo contacto con éste. En caso de contacto, lávese con agua. Si el líquido llega a tocar los ojos, además busque atención médica.** El líquido de las baterías puede causar irritación y quemaduras.
- **No utilice un paquete de baterías o una herramienta que esté dañado o modificado.** Las baterías dañadas o modificadas pueden tener un funcionamiento impredecible que provoque incendios, explosiones o riesgo de lesiones.
- **No exponga el paquete de baterías o una herramienta al fuego o a temperaturas excesivas.** La exposición al fuego o a temperatura sobre los 130 °C (265 °F) puede provocar explosiones.
- **Siga todas las instrucciones de carga y no cargue el paquete de baterías ni la herramienta fuera del rango de temperaturas especificado en las instrucciones.** Si realiza la carga en forma incorrecta o fuera de las temperaturas del rango especificado puede dañar la batería y aumentar el riesgo de incendios.

## SERVICIO

- **Permita que un técnico de reparación calificado preste servicio a la herramienta eléctrica, y sólo con piezas de repuesto idénticas.** De esta manera se mantiene la seguridad de la herramienta eléctrica.
- **Nunca repare paquetes de baterías dañados.** La reparación de paquetes de baterías solo puede ser realizada por el fabricante o proveedores de servicio autorizados.

# ADVERTENCIAS DE SEGURIDAD SIERRA DE RIEL

## PROCEDIMIENTOS DE CORTE



### PELIGRO:

Mantenga las manos alejadas del área de corte y de la hoja. Mantenga la otra mano en el mango auxiliar o en el alojamiento del motor. Si ambas manos están sujetando la sierra, la hoja de corte no puede lesionarlas.

- **No trate de alcanzar nada bajo la pieza de trabajo.** La protección no puede proteger al operador de la hoja bajo la pieza de trabajo.
- **Ajuste la profundidad de corte al espesor de la pieza de trabajo.** Por debajo de la pieza de trabajo, debe verse menos de un diente completo de la hoja.
- **Nunca sujete la pieza de trabajo con las manos ni puesta en la pierna.** Asegure la pieza de trabajo en una plataforma estable. Es importante apoyar correctamente la pieza para reducir

al mínimo la exposición del cuerpo, el atoramiento de la hoja y la pérdida de control.

- **Sólo sostenga la herramienta eléctrica desde las superficies de empuñadura aisladas cuando ejecute una operación en la que la herramienta de corte pudiera entrar en contacto con cables ocultos.** El contacto con un cable "vivo" también hará que las piezas metálicas expuestas de la herramienta eléctrica "tomen corriente" y el operador sufrirá una descarga eléctrica.
- **Al cortar al hilo, siempre utilice una guía de corte al hilo o una guía recta.** Esto mejora la precisión del corte y reduce la posibilidad de que la hoja se atasque.
- **Use siempre hojas con orificios del árbol del tamaño y la forma correctos (con forma de diamante o redonda).** Las hojas que no coincidan con los elementos de montaje de la sierra funcionarán de forma excéntrica, ocasionando la pérdida de control.
- **Nunca utilice un perno o arandelas de la hoja que estén dañados o sean incorrectos.** Las arandelas y el perno de la hoja fueron diseñados especialmente para su sierra, para ofrecer un rendimiento óptimo y seguridad en el funcionamiento.

# ADVERTENCIAS DE SEGURIDAD SIERRA DE RIEL

## CAUSAS DE CONTRAGOLPE Y ADVERTENCIAS RELACIONADAS

- El contragolpe es una reacción súbita a un pellizcamiento, atoramiento o desalineación de la hoja de la sierra, lo cual causa el descontrol, levantamiento y salida de la misma de la pieza de trabajo, hacia el operador.
- Cuando el corte al irse cerrando pellizca o atora ajustadamente la hoja de corte, ésta tiende a detenerse y la reacción del motor impulsa de forma rápida y violenta la unidad hacia el operador.
- Si la hoja se tuerce o desalinea en el corte, los dientes situados en el borde posterior de la hoja pueden encajarse en la superficie externa de la madera, causando de esta manera la salida de la hoja fuera del corte y un salto de la misma hacia el operador.

El mal uso de la sierra ocasionará un contragolpe y/o de procedimientos o condiciones de trabajo incorrectas, y puede evitarse tomando las medidas de precaución adecuadas, como las señalamientos abajo:

- **Sujete firmemente la sierra con ambas manos y coloque sus brazos de manera tal que resista la fuerza del contragolpe. Coloque su cuerpo a un costado de la hoja y no alineado con ésta.** El contragolpe puede ocasionar que la sierra salte hacia atrás. Sin embargo, el operador puede controlar la fuerza del contragolpe si toma las precauciones apropiadas.
- **Cuando esté atorándose la hoja, o esté interrumpiéndose el corte por alguna razón, suelte el gatillo y mantenga inmóvil la sierra en el material hasta que se detenga completamente la sierra. Nunca intente retirar la sierra de la pieza de trabajo ni tirar de la misma hacia atrás mientras esté en movimiento la hoja de corte, ya que puede ocasionar un contragolpe.** Investigue y tome las medidas correctivas adecuadas para eliminar la causa del atoramiento de la hoja.
- **Al volver a arrancar la sierra en la pieza de trabajo, centre la hoja en el corte y verifique que los dientes de la misma no estén encajados en el material.** Si la sierra está atorándose, puede salirse de la pieza de trabajo o dar un contragolpe al volverse a rearrancar.
- **Apoye debidamente los paneles grandes para reducir al mínimo el riesgo de un pellizcamiento de la hoja de corte y de un contragolpe.** Los paneles grandes tienden a combarse bajo su propio peso. Deben colocarse soportes bajo ambos lados del panel, cerca de la línea de corte y de la orilla del mismo.
- **No utilice hojas de corte desafiladas o dañadas.** Las hojas de corte desafiladas o triscadas de forma incorrecta producen un corte angosto con la consiguiente fricción excesiva, atoramiento de la hoja misma y contragolpe.
- **Las palancas de bloqueo de ajuste de profundidad y de biselado deben estar apretadas y aseguradas antes de efectuarse el corte.** Si cambia el ajuste de la hoja durante el corte, puede causarse el atoramiento de la misma y un contragolpe.
- **Tenga sumo cuidado cuando corte en paredes existentes o en otros puntos ciegos.** La parte sobresaliente de la hoja puede cortar objetos que pueden causar un contragolpe.

## FUNCIÓN DE PROTECCIÓN




- **Cada vez antes de utilizar la unidad verifique que cierre correctamente la protección inferior. No utilice la sierra si la protección inferior no se mueve libremente y no cierra instantáneamente. Nunca asegure de ninguna forma la protección inferior en la posición abierta.** Si se deja caer accidentalmente la sierra, la protección inferior puede sufrir un doblamiento. Suba la protección inferior con el mango retractor y asegúrese de que se mueva libremente y no toca la hoja de corte ni ninguna otra parte, en todos los ángulos y profundidades de corte.
- **Verifique el funcionamiento del resorte de la protección inferior. Si la protección y el resorte no funcionan correctamente, debe proporcionárseles servicio antes de utilizar la unidad.** La protección inferior puede moverse con lentitud debido a piezas dañadas, depósitos gomosos o acumulación de desechos.
- **Asegúrese de que la placa de la base de la sierra no se mueva mientras realiza un "corte en cavidad".** Movimiento lateral de la hoja causará atoramiento y probablemente contragolpe.
- **Siempre asegúrese de que la protección esté cubriendo la hoja de corte antes de colocar la sierra en un banco de trabajo o en el piso.** Si la hoja no está protegida y está aún en movimiento, la sierra avanza hacia atrás y corta cualquier objeto situado en su trayecto. Sea consciente del tiempo que lleva detener la hoja después de que se suelta el interruptor.
- **No use discos abrasivos con esta sierra.**
- **Utilice prensas o cualquier otro medio práctico de asegurar y sostener la pieza de trabajo en una plataforma segura.** Sostener la pieza con la mano o contra el cuerpo lo hace inestable y puede causar una pérdida de control.

## FUNCIÓN DE LA CUCHILLA SEPARADORA







- **Utilice la hoja de sierra adecuada para la cuchilla separadora.** Para que la cuchilla separadora funcione, el cuerpo de la hoja debe ser más delgado que la cuchilla separadora y el ancho de corte de la hoja debe ser más ancho que el grosor de la cuchilla separadora.
- **Ajuste la cuchilla separadora como se describe en este manual de instrucciones.** El espaciado, la posición y la alineación incorrectos pueden hacer que la cuchilla separadora no sea efectiva para evitar un contragolpe.
- **Utilice siempre la cuchilla separadora, excepto cuando haga cortes de inmersión.** La cuchilla separadora debe reemplazarse después del corte de inmersión. La cuchilla separadora provoca interferencias durante el corte de inmersión y puede generar un contragolpe.
- **Para que la cuchilla separadora funcione, debe hacer contacto con la pieza de trabajo.** La cuchilla separadora es ineficaz para evitar el contragolpe durante cortes cortos.
- **No opere la sierra si la cuchilla separadora está doblada.** Incluso una ligera interferencia puede ralentizar la velocidad de cierre de un protector.
- **Utilice la hoja de sierra adecuada para la cuchilla separadora.** Para que la cuchilla separadora funcione correctamente, el cuerpo de la hoja de la sierra debe tener un grosor superior a 1,00 mm y el ancho de corte de la hoja de sierra debe ser superior a 1,40 mm.

# SÍMBOLOS

Les termes de mise en garde suivants et leur signification ont pour but d'expliquer le degré de risques associé à l'utilisation de ce produit.

SYMBOLE	SIGNAL	SIGNIFICATION
	<b>DANGER :</b>	Indique une situation dangereuse qui, si elle n'est pas évitée, aura pour conséquences des blessures graves ou mortelles.
	<b>AVERTISSEMENT :</b>	Indique une situation dangereuse qui, si elle n'est pas évitée, pourrait entraîner des blessures graves ou mortelles.
	<b>ATTENTION :</b>	Indique une situation dangereuse qui, si elle n'est pas évitée, pourrait entraîner des blessures légères ou de gravité modérée.
	<b>AVIS :</b>	(Sans symbole d'alerte de sécurité) Indique les informations jugées importantes sans toutefois représenter un risque de blessure (ex. : messages concernant les dommages matériels).

Es posible que se empleen en este producto algunos de los siguientes símbolos. Le suplicamos estudiarlos y aprender su significado. Una correcta interpretación de estos símbolos le permitirá utilizar mejor y de manera más segura el producto.

SÍMBOLO	NOMBRE	DENOMINACIÓN/EXPLICACIÓN
	Alerta de seguridad	Indica un peligro posible de lesiones personales.
	Lea el manual del operador	Para reducir el riesgo de lesiones, el usuario debe leer y comprender el manual del operador antes de usar este producto.
	Protección ocular	Siempre póngase protección ocular con protección lateral con la marca de cumplimiento de la norma ANSI Z87.1.
	Alerta de condiciones húmedas	No exponga la unidad a la lluvia ni la use en lugares húmedos.
	Símbolo de no acercar las manos	Si no mantiene las manos alejadas de la hoja de corte, se causará serias lesiones corporales.
	Símbolo de reciclado	Este producto utiliza baterías de iones de litio (Li-ion). Es posible que algunas leyes municipales, estatales o federales prohíban desechar las baterías en la basura normal. Consulte a las autoridades reguladoras de desechos para obtener información en relación con las alternativas de reciclado y desecho disponibles.
==	Corriente continua	Tipo o característica de corriente
$n_0$	Velocidad en vacío	Velocidad de rotación, en vacío
.../min	Por minuto	Revoluciones, carreras, velocidad superficial, órbitas, etc., por minuto
V	Volts	Voltaje
min	Minutos	Tiempo

# CARACTERÍSTICAS

## ESPECIFICACIONES DEL PRODUCTO

Motor .....	18 V c.c.
Diámetro de la hoja .....	16,51 cm (6-1/2 pulg.)
Árbol de la hoja de corte .....	15,9 mm (5/8 pulg.)
Tamaño de riel .....	69,85 cm (27,5 pulg.) de cada
Capacidad de bisel .....	-1° a 48°
Velocidad en vacío .....	4,300 /min (RPM)

Profundidad de corte a 0°	
con riel .....	49,2 mm (1-15/16 pulg.)
sin riel .....	54 mm (2-1/8 pulg.)
Profundidad de corte a 45°	
con riel .....	36,5 mm (1-7/16 pulg.)
sin riel .....	39,7 mm (1-9/16 pulg.)

## ARMADO

### DESEMPAQUETADO

Este producto requiere armarse.

- Extraiga cuidadosamente de la caja la herramienta y los accesorios. Todos los elementos enumerados en la sección **Incluye** se deben incluir al momento de la compra.

#### **ADVERTENCIA:**

Las piezas incluidas en esta sección de *Armado* no vienen ensambladas en el producto de fábrica y requieren la instalación por parte del cliente. El uso de un producto que pueda haber sido armado de manera incorrecta podría provocar lesiones personales graves.

- La sierra viene con una cinta de amarre que la asegura en la posición de inmersión. Para liberar la sierra, empuje hacia abajo la parte superior del mango delantero, corte el amarre y deje que la sierra se eleve lentamente hasta la posición completamente elevada.

#### **ADVERTENCIA:**

El cuerpo de la sierra se acciona con un resorte. Sostenga el mango delantero hacia abajo para evitar que se suba cuando corte el amarre. Si no lo hace, podría sufrir posibles lesiones graves.

- Inspeccione cuidadosamente la herramienta, para verificar que no haya sufrido ninguna rotura o daño durante el transporte.
- No deseche el material de empaquetado hasta que haya inspeccionado la herramienta con cuidado y la haya utilizado satisfactoriamente.
- Si hay piezas dañadas o faltantes, sírvase llamar al 1-800-525-2579, donde le brindaremos la asistencia necesaria.

#### **ADVERTENCIA:**

Si falta o está dañada alguna pieza, no utilice este producto sin haber reemplazado la pieza. Usar este producto con partes dañadas o faltantes puede causar lesiones serias al operador.

#### **ADVERTENCIA:**

No intente modificar este producto ni hacer accesorios no recomendados para la misma. Cualquier alteración o modificación constituye maltrato el cual puede causar una condición peligrosa, y como consecuencia posibles lesiones corporales serias.

#### **ADVERTENCIA:**

Para evitar un arranque accidental que puede causar lesiones corporales graves, siempre desmonte de la herramienta el paquete de baterías al montarle piezas a aquélla.

### INSTALACIÓN DE LA HOJA

Veá las figuras 1 a 4, página 18.

#### **ADVERTENCIA:**

La máxima capacidad de diámetro de hoja de la sierra es 16,51 cm (6-1/2 pulg.). Nunca utilice una hoja tan gruesa que la arandela exterior de la hoja no se enganche en las partes planas del husillo. Las hojas más grandes tocan la protección de la hoja, y las más gruesas impiden asegurarlas con el perno correspondiente en el husillo. Cualquiera de estas dos situaciones puede causar un accidente serio.

- Retire de la sierra el paquete de baterías.
- Retire de su lugar de almacenamiento la llave de la hoja de corte.  
**NOTA:** Se incluyen dos llaves con la sierra: una pequeña para el riel y una grande para la hoja.
- Coloque la palanca de control de profundidad de inmersión en la posición de cambio de hoja.
- Presione el botón de bloqueo.
- Tome el mango delantero y aplique presión hacia abajo para bajar y exponer el tornillo de la hoja. Continúe presionando hacia abajo para bajar la sierra a la posición completamente baja.
- Deje que el mango delantero se eleve lentamente hasta que la sierra se bloquee en la posición de cambio de hoja. En esta posición, la sierra no se puede bajar ni subir.

# ARMADO

- Recueste la sierra sobre un lado con el husillo orientado hacia arriba.
- Presione y mantenga el botón de seguridad del husillo y extraiga el tornillo de la hoja y arandela exterior de la hoja

**NOTA:** Gire el tornillo de la hoja hacia la izquierda para retirarlo.

## AVISO:

Para evitar dañar el husillo o el seguro del mismo, siempre deje que el motor se detenga completamente antes de enganchar el seguro.

**NOTA:** No ponga a funcionar la sierra circular con el seguro del husillo puesto.

- Eche una gota de aceite en la arandela interior de la hoja y la arandela de la hoja exterior, donde hacen contacto con la hoja.



## ADVERTENCIA:

Si retiró la arandela interior de la hoja, vuelva a colocarla antes de instalar la hoja en el husillo. Si no lo hace podría producirse un accidente ya que la hoja no se apretaría correctamente.

- Coloque la hoja dentro de la ranura en la base colocándola en el eje.
- Vuelva a colocar la arandela exterior de la hoja.
- Presione y mantenga el botón de seguridad del husillo y vuelva a colocar el tornillo de la hoja. Apriete el tornillo de la hoja; para ello, gírelo a la derecha.
- Vuelva a colocar la llave de la hoja en el área de almacenamiento.
- Coloque la sierra en posición vertical y mueva la palanca de control de profundidad de inmersión a la posición de ranurado o corte de inmersión antes de cortar.

**NOTA:** Nunca utilice una hoja tan gruesa que no pueda acoplarse la rondana exterior de la hoja en las partes planas del husillo.

## EXTRACCIÓN DE LA HOJA

*Vea las figuras 1 a 4, página 18.*

- Retire de la sierra el paquete de baterías.
- Retire de su lugar de almacenamiento la llave de la hoja de corte.

**NOTA:** Se incluyen dos llaves con la sierra: una pequeña para el riel y una grande para la hoja.

- Coloque la palanca de control de profundidad de inmersión en la posición de cambio de hoja.
- Bloquee la sierra en la posición de cambio de hoja como se describió anteriormente.

**NOTA:** Cuando baje la sierra a la posición de cambio de hoja, una parte de la hoja y la cuchilla separadora se extenderán más allá de la base. Asegúrese de que la sierra esté colocada de modo que proporcione espacio libre adecuado antes de colocarla en la posición de cambio de hoja.

- Coloque la sierra sobre su costado como se muestra, oprima el botón del seguro del husillo, y retire el tornillo de la hoja girándolo a la izquierda.
- Retire la arandela exterior de la hoja.
- Empuje con cuidado la parte posterior de la hoja hacia arriba para quitarla del eje.
- Retire la hoja deslizándola hacia fuera de la ranura en la base.

## INSTALACIÓN/DESMONTAR DEL CUCHILLO SEPARADORA

*Vea la figura 5, página 19.*



## ADVERTENCIA:

Retire la cuchilla separadora solo para cortes no pasantes y cortes de bolsillo. Si la retira para cualquier otro corte, puede provocar un contragolpe y sufrir posibles lesiones personales graves.

- Retire de la sierra el paquete de baterías.
- Retire de su lugar de almacenamiento la llave de la hoja de corte.

**NOTA:** Se incluyen dos llaves con la sierra: una pequeña para el riel y una grande para la hoja.

- Coloque la palanca de control de profundidad de inmersión en la posición de cambio de hoja.
- Bloquee la sierra en la posición de cambio de hoja como se describió anteriormente.
- Ubique el tornillo dentro del orificio en la parte posterior de la cubierta de la hoja.
- Inserte la llave de hoja en el orificio y afloje varias vueltas, pero **no quite** el tornillo girándolo hacia la izquierda.
- Deslice la cuchilla separadora dentro del protector y alinee con cuidado la ranura de la cuchilla con el perno dentro del protector de la hoja.

**NOTA:** Inserte completamente la cuchilla separadora en el protector hasta que se detenga para asegurarse de que esté firmemente en su posición.

**NOTA:** Cuando está correctamente instalada, la cuchilla separadora queda a 5,00 mm de la hoja. Si es necesario, afloje el tornillo y vuelva a colocar la cuchilla separadora.

- Ajuste bien el tornillo girándolo hacia la derecha.
- Vuelva a colocar la llave de la hoja en el área de almacenamiento.
- Coloque la sierra en posición vertical y mueva la palanca de control de profundidad de inmersión a la posición de ranurado o corte de inmersión antes de cortar.

### Para quitar la cuchilla separadora:

- Retire de la sierra el paquete de baterías.
- Retire de su lugar de almacenamiento la llave de la hoja de corte.
- Afloje varias vueltas, pero **no quite** el tornillo girándolo hacia la izquierda.
- Retire del cuchillo separadora.
- Ajuste bien el tornillo girándolo hacia la derecha.

# ARMADO

## MONTAJE DE LOS RIELES

Vea las figuras 6 y 7, página 19.

Los rieles pueden usarse individualmente o ensamblados en función del tamaño de su proyecto. Antes de usar el producto, todos los rieles deben estar ensamblados y alineados correctamente, y debe cortarse la tira de corte de goma.

### Para ensamblar los rieles:

- Coloque los rieles boca abajo en un espacio de trabajo plano y nivelado.

**NOTA:** Se proporcionan dos rieles con la sierra. Uno tiene un conector preinstalado y el otro no.

- Con la llave para rieles, afloje los tornillos que sujetan el conector al riel.

**NOTA:** Se incluyen dos llaves con la sierra: una pequeña para el riel y una grande para la hoja.

- Alinee los rieles y deslice el conector por la unión para insertarlo en la ranura del siguiente riel. Inserte el conector aproximadamente hasta la mitad de cada riel y ajuste los tornillos para asegurar un lado.

**NOTA:** Los rieles están diseñados para encajar de forma ajustada en los extremos. Sin embargo, antes de ajustar los tornillos restantes, coloque un borde recto, una escuadra de carpintero o un nivel de 30,48 cm o más a lo largo de los bordes largos para asegurarse de que las piezas estén perfectamente alineadas. Si omite este paso, podría comprometer la precisión y el rendimiento de la sierra.

- Alinee los extremos largos de ambos rieles contra el borde recto, la escuadra de carpintero o el nivel. Sosteniendo ambas piezas juntas, ajuste los tornillos restantes para asegurar el conector.

**NOTA:** Después de ajustar los tornillos, verifique nuevamente que los rieles estén perfectamente alineados con el borde recto.

**Cada riel tiene una tira de corte de goma a lo largo del borde. Antes de cortar una pieza de trabajo con el riel, debe recortar la tira de corte de goma. Consulte “Cómo usar el riel” en la sección de *Funcionamiento*.**

# FUNCIONAMIENTO

## ADVERTENCIA:

No permita que su familiarización con los productos lo vuelva descuidado. Tenga presente que un descuido de un instante es suficiente para causar una lesión grave.

## ADVERTENCIA:

Siempre retire el paquete de baterías de la herramienta cuando esté ensamblando partes, realizando ajustes, limpiando o cuando ésta no esté en uso. Retirando el paquete de baterías se evita arrancar accidentalmente la unidad, lo cual puede causar lesiones serias.

## ADVERTENCIA:

Siempre póngase protección ocular con protección lateral con la marca de cumplimiento de la norma ANSI Z87.1. Si no cumple esta advertencia, los objetos que salen despedidos pueden producirle lesiones serias en los ojos.

## ADVERTENCIA:

No utilice ningún aditamento o accesorio no recomendado por el fabricante de este producto. El empleo de aditamentos o accesorios no recomendados podría causar lesiones serias.

## APLICACIONES

Este producto puede emplearse para los fines siguientes:

- Corte de todos tipos de productos de madera (tablas, contrachapada y paneles)

## ADVERTENCIA:

Nunca utilice discos de trocear abrasivos de ninguna clase con esta sierra. De usarse hojas de corte no diseñadas para madera puede ocasionar daños físicos o graves lesiones personales.

## INSTALACIÓN/DESMONTAR DEL PAQUETE DE BATERÍAS

Vea la figura 8, página 19.

- Coloque el paquete de baterías en el producto como se muestra.
- Asegúrese de que los pestillos situados a ambos lados del paquete de baterías entren completamente en su lugar con un chasquido y de que el paquete quede bien asegurado en la herramienta antes de comenzar a utilizarla.
- Oprima los pestillos para extraer el paquete de baterías.

Para obtener instrucciones específicas de carga, lea el manual del operador que se incluye con el cargador y la batería.

## ADVERTENCIA:

Las herramientas de baterías siempre están en condiciones de funcionamiento. Bloquee el interruptor cuando no esté en uso o lo lleve a su lado, al instalar o extraer el paquete de baterías y al instalar o extraer cuchillas.

# FUNCIONAMIENTO

## CONTRAGOLPE

Veá las figuras 9 a 13, páginas 19 - 20.

El contragolpe sucede cuando la hoja se detiene rápidamente y la sierra sale empujada hacia el operador. El atoramiento de la hoja es causado por cualquier acción que produzca el pellizcamiento de la hoja en la madera.

### PELIGRO:

Si la hoja se atora o se detiene la sierra, suelte de inmediato el interruptor. El contragolpe podría causar la pérdida de control de la sierra. La pérdida de control puede originar lesiones serias.

**Para protegerse y evitar contragolpes, evite prácticas peligrosas como las siguientes:**

- Ajustar de forma incorrecta la profundidad de la hoja.
- Cortar nudos o clavos presentes en la pieza de trabajo.
- Doblar la hoja al realizar un corte.
- Hacer un corte con una hoja desafilado, pegoteado o colocado de forma inapropiada.
- Apoyar de forma incorrecta la pieza de trabajo
- Efectuar cortes forzados
- Cortar madera combada o húmeda
- Utilizar la herramienta de forma incorrecta o para un uso inadecuado
- Introducir rápidamente la hoja en la pieza de trabajo.

**Para disminuir el peligro de un contragolpe, siga estas prácticas de seguridad:**

- Mantenga la hoja a un ajuste de profundidad correcto. El ajuste de profundidad no debe sobrepasar 1/4 pulg. (6,35 mm) por abajo de la pieza de trabajo.
- Inspeccione la pieza de trabajo para ver si contiene nudos o clavos antes de empezar a cortar. Nunca corte nudos ni clavos.
- Corte en línea recta. Siempre utilice una guía recta al efectuar cortes al hilo. Esto ayuda a evitar el torcimiento de la hoja.
- Use hojas limpias, afiladas y triscadas correctamente. Nunca efectúe cortes con hojas sin filo.
- Apoye adecuadamente la pieza de trabajo antes de iniciar un corte.
- Aplique una presión estable y uniforme al efectuar el corte. Nunca efectúe cortes forzados.
- No corte madera combada o húmeda.
- Sujete firmemente la sierra con ambas manos y mantenga el cuerpo en una postura bien equilibrada de manera que pueda resistir las fuerzas de un contragolpe si llegara a ocurrir.
- Al realizar cortes tipo bolsillo, permita que la hoja alcance velocidad completa y luego aplique presión hacia abajo de forma lenta y pareja para guiar la hoja en la pieza de trabajo.

### ADVERTENCIA:

Permanezca alerta y en pleno control al usar la sierra. No retire la sierra de la pieza de trabajo con la hoja en movimiento.

## PALANCA DE CONTROL DE PROFUNDIDAD DE INMERSIÓN

Veá las figuras 14 y 15, página 20.

La sierra viene con una palanca de control de profundidad de inmersión que limita el movimiento hacia abajo de la sierra para diferentes operaciones. La palanca tiene tres posiciones. Una para cambiar la hoja, otra para ranurar material y otra para hacer cortes de inmersión.

### Posición de cambio de hoja

Si coloca la palanca en esta posición, podrá bloquear la sierra en una posición baja con el tornillo de la hoja visible a través de la ventana del protector.

### Posición de ranurado:

Con la palanca en la posición de ranurado, el recorrido hacia abajo de la hoja se limita a aproximadamente 6,35 mm de profundidad de corte. Realice un corte con la hoja a esta profundidad para ranurar la pieza de trabajo.

**NOTA:** Cuchilla separadora debe retirarse para este corte.

**NOTA:** Para reducir el riesgo de astillado, siempre haga un corte ranurado antes de cortar materiales compuestos o madera contrachapada o laminada.

### Posición de corte de inmersión:

Mueva la palanca a la posición de corte de inmersión para realizar cortes profundos y transversales. Cuando la palanca está en esta posición, la hoja se puede bajar hasta la profundidad máxima de corte.

**NOTA:** Cuando la palanca esté en posición de corte de inmersión, use la perilla de bloqueo de profundidad para controlar la profundidad de la hoja. El ajuste correcto de la profundidad de la hoja para todos los cortes no debe exceder 6,35 mm por debajo del material que desea cortar.

## ACOPLAMIENTO DE LA SIERRA A UNA ASPIRADORA

Veá la figura 16, página 20.

Cuando cortar durante un período prolongado, puede conectar una manguera de aspiración a la sierra.

- Retire el paquete de baterías.
- Acople el tubo de la aspiradora al escape de polvo de la sierra.

**NOTA:** La manguera de la aspiradora encajará dentro o fuera del orificio de escape de polvo. La sierra acepta una conexión de aspiradora estándar de 47,6 y 31,8 mm.

- Vuelva a instalar el paquete de baterías.

# FUNCIONAMIENTO

## CÓMO BAJAR Y LEVANTAR LA HOJA Y CUCHILLA SEPARADOR

Vea la figura 16, página 20.

### Para bajar la hoja:

- Presione el botón de bloqueo.
- Agarre el mango frontal y aplique presión hacia abajo para bajar y exponer la hoja y cuchilla separador (si está instalado).

**NOTA:** Mantenga presión hacia abajo para mantener la hoja en la posición bajada.

### Para levantar la hoja:

- Deje que el mango frontal suba lentamente hasta que la hoja y cuchilla separador (si está instalado) quede completamente dentro de la protección y la sierra están en la posición bloqueada.

## CÓMO USAR LA PERILLA DE FIJACIÓN DE PROFUNDIDAD

Vea la figura 17, página 21.

Mantenga siempre el ajuste correcto de la profundidad de la hoja. El ajuste de profundidad para todo tipo de cortes no debe sobrepasar 6,35 mm (1/4 pulg.) por abajo de la pieza de trabajo. Cuanto mayor es la profundidad de la hoja, mayor es la posibilidad de un contragolpe y de un corte áspero. Para lograr mayor precisión en la profundidad de corte, hay escalas en la parte delantera de la herramienta y en la protección.

- Retire el paquete de baterías.
- Afloje la perilla de fijación de profundidad.
- Determine la profundidad de corte deseada.
- Mueva la perilla de bloqueo de profundidad hacia arriba o hacia abajo para alinear el indicador de profundidad de corte con el ajuste de profundidad deseado.
- Apriete la perilla de fijación de profundidad.

## HOJAS DE SIERRA

Incluso las mejores hojas para sierra no cortan eficientemente si no se mantienen, limpias, afiladas y debidamente triscadas. Si se utiliza una hoja desafilada se le impone una carga muy pesada a la sierra y se aumenta el peligro de un contragolpe. Mantenga hojas extra a la mano, de manera que siempre haya hojas afiladas disponibles.

La goma y la resina endurecidas en las hojas hacen más lenta la sierra. Retire la hoja de la sierra y utilice limpiador de goma y de resina, agua caliente o queroseno para limpiar la acumulación de aquéllas. **NO UTILICE GASOLINA.**

## ENCENDIDO Y APAGADO DE LA SIERRA

Vea la figura 18, página 21.

### **ADVERTENCIA:**

Siempre verifique que el botón de bloqueo del husillo esté completamente liberado antes de encender la herramienta.

### Para arrancar la sierra:

- Instale el paquete de baterías.
- Oprima el botón del seguro de apagado.
- Oprima el gatillo del interruptor.

Deje siempre que la hoja alcance velocidad completa y, luego, guíe lentamente la hoja en la pieza de trabajo.

### **ADVERTENCIA:**

Si la hoja entra en contacto con la pieza de trabajo antes de alcanzar velocidad completa o introduce la sierra demasiado rápido en la pieza de trabajo, podría producirse un contragolpe en dirección a usted, produciéndole una lesión grave. Mantenga una sujeción firme de la sierra con ambas manos, y coloque los brazos de manera que le permitan resistir las fuerzas de un contragolpe.

### Para apagar la sierra: suelte el gatillo del interruptor.

Después de soltar el gatillo del interruptor, deje que el disco/ hoja se detenga por completo. Deje que el mango frontal suba lentamente hasta que el disco de corte quede completamente dentro de la protección y la sierra están en la posición bloqueada.

**No retire la sierra de la pieza de trabajo con la hoja en movimiento.**

## BOTÓN DEL SEGURO DE APAGADO

Vea la figura 18, página 21.

El botón del seguro de apagado reduce la posibilidad de un arranque accidental. El botón del seguro de apagado se encuentra en el mango, arriba del gatillo del interruptor. Debe oprimir el botón del seguro de apagado antes de oprimir el gatillo del interruptor. El seguro se autoengancha cada vez que se suelta el gatillo.

Cuando la sierra se eleve a su posición más alta, se bloqueará en esa posición. Presione el botón de bloqueo para desbloquear la sierra.

## CÓMO USAR EL RIEL

Vea las figuras 19 a 26, página 21 y 22.

La sierra se puede utilizar con o sin un riel. Para usar la sierra con un riel, asegure el riel a una pieza de trabajo y luego coloque la sierra en el riel. Si usará varios rieles, ensamble y asegure los rieles como se describe en la sección de *Armado*.

### **ADVERTENCIA:**

Cuando corte a lo largo de varios rieles, asegúrese siempre de que los rieles estén correctamente alineados y ensamblados. Si corta a lo largo de rieles ensamblados incorrectamente o desalineados, podría hacer que la sierra se mueva de forma inesperada, lo que podría provocar lesiones graves o daños materiales.

### Para recortar la tira de corte de goma en los rieles:

- Retire la batería y la cuchilla separadora de la sierra.

**NOTA:** Retire siempre la cuchilla separadora cuando realice cortes no pasantes y cortes de bolsillo.



# FUNCIONAMIENTO

- Coloque material de desecho en una mesa de trabajo, una mesa u otro soporte adecuado. El material debe ser tanto o más largo que los rieles preparará para el uso.

**NOTA:** Cada riel mide 69,85 cm (27,5 pulg.) de largo.

- Coloque el riel sobre el material de desecho.
- Use la abrazadera del riel para asegurar el riel y el material de desecho al soporte.
- Sostenga la sierra por encima del riel con la hoja mirando hacia la tira cortada de goma.
- Alinee la ranura de la base de la sierra con la solapa levantada del riel. Luego, baje la sierra sobre el riel.
- Verifique el juego en la parte delantera y trasera de la sierra, y asegúrese de que la sierra se deslice sin problemas a lo largo del riel.
- Si es necesario, afloje las perillas de bloqueo que aseguran las solapas de ajuste del riel. Gire las solapas hasta eliminar todo juego (izquierda y derecha) y que la sierra se mueva libremente (hacia adelante y hacia atrás). Ajuste las perillas de bloqueo.
- Coloque la palanca de control de profundidad de inmersión en la posición de ranurado.
- Vuelva a instalar la batería.
- Deslice la sierra hasta al riel final inicial y asegúrese de que la hoja esté colocada para cortar toda la goma.
- Encienda la sierra y deje que la hoja alcance la velocidad máxima.
- Baje con cuidado la hoja hasta que entre en contacto con la pieza de trabajo.
- Guíe la sierra en dirección hacia adelante a lo largo del riel para recortar la tira de corte de goma.

**NOTA:** Después de recortar la tira de corte de goma, se puede usar para indicar con precisión la línea de corte de la hoja.

- Suelte el gatillo y deje que la hoja se detenga por completo.
- Deje que el mango frontal suba lentamente hasta que el disco de corte quede completamente dentro de la protección y la sierra está en la posición bloqueada.
- Retire la batería de la sierra.
- Retire la sierra del riel y vuelva a colocar la cuchilla separadora.

**NOTA:** Cuando está correctamente instalada, la cuchilla separadora queda a 5,00 mm de la hoja. Si es necesario, afloje el tornillo y vuelva a colocar la cuchilla separadora.

- Afloje y retire la abrazadera del riel.
- Deseche el material de desecho.

## Para hacer cortes a lo largo del riel:

- Asegure la pieza de trabajo a una mesa de trabajo, una mesa u otro soporte adecuado.
- Coloque el riel en la pieza de trabajo y ubique la tira de corte de goma a lo largo de la línea de corte deseada.
- Usando la abrazadera del riel, asegure sin apretar el riel a la pieza de trabajo.

- Deslice el riel hasta el final de la pieza de trabajo y continúe deslizando hasta que una parte del riel cuelgue del borde de la pieza de trabajo.
- Ajuste completamente la abrazadera del riel.
- Coloque la sierra en el riel y haga ajustes si es necesario.
- Realice una de las operaciones de corte descritas más adelante en esta sección.
- Suelte el gatillo y deje que la hoja se detenga por completo.
- Deje que el mango frontal suba lentamente hasta que el disco de corte quede completamente dentro de la protección y la sierra está en la posición bloqueada.
- Retire la batería de la sierra.

## UTILIZACIÓN DE LA SIERRA

*Vea las figuras 27 a 29, página 22.*

Es importante comprender la forma correcta de utilizar la sierra. Consulte las figuras de esta sección para ver las formas correctas e incorrectas de manejar la sierra.



### ADVERTENCIA:

Para cortar de manera más fácil y segura, mantenga siempre el control adecuado de la sierra sujetándola firmemente con ambas manos. La pérdida de control podría causar un accidente, y como consecuencia posibles lesiones corporales serias.

Para efectuar el mejor corte que sea posible, siga estas útiles sugerencias.

- Sujete la sierra firmemente con ambas manos.
- Evite colocar la mano sobre la pieza de trabajo al efectuar un corte.
- Apoye la pieza de trabajo de manera que el corte (la ranura) le quede siempre al lado de usted.
- Apoye la pieza de trabajo cerca del corte.
- Use abrazaderas u otras formas prácticas de asegurar la pieza de trabajo de modo que no se mueva durante el corte.
- Siempre coloque la sierra y el riel sobre la pieza de trabajo que se apoya, no sobre la pieza "cortada".
- De resultar posible, coloque la pieza de trabajo con el lado "bueno" hacia abajo.
- Para reducir el riesgo de astillado, siempre haga un corte ranurado antes de cortar materiales compuestos o madera contrachapada o laminada.
- Cuando corte sin el riel, dibuje una guía a lo largo de la línea de corte deseada antes de comenzar a cortar.
- Cuando corte a lo largo de un riel, use la tira de corte de goma para indicar la línea de corte de la hoja.
- Al cortar a lo largo de un riel, aplique presión hacia abajo y mueva suavemente la sierra hacia adelante. No fuerce la sierra y **NUNCA** tire de la sierra en dirección hacia usted cuando esté funcionando (encendida).

# FUNCIONAMIENTO

## AVISO:

Todas las operaciones de corte descritas en este manual se pueden realizar con o sin riel.

## CORTES TRANSVERSALES Y AL HILO

Veá las figuras 30 a 32, página 22.

## ADVERTENCIA:

Asegúrese de que esté instalado y funcione adecuadamente la cuchilla separador, para evitar posibles lesiones graves.

Puede realizar cortes a lo largo del grano de la madera (corte transversal) o con el grano de la madera (cortes al hilo).

Inspeccione la madera antes de realizar cortes. No debe haber clavos ni objetos extraños en la pieza de trabajo.

Al realizar un corte transversal o un corte al hilo a lo largo de un riel, alinee la línea de corte con la tira de corte de goma del riel.

### CORTE AL HILO A LO LARGO DE UN RIEL

- Retire la batería e instale la cuchilla separadora.  
**NOTA:** Instale siempre la cuchilla separadora al realizar cortes pasantes (excepto cortes de bolsillo).
- Asegure la pieza de trabajo en un banco, mesa de trabajo o otro soporte adecuado con una prensa fija o varias de mano.
- Coloque la palanca de control de profundidad de inmersión en la posición de corte de inmersión.
- Ajuste la hoja a la profundidad correcta.
- Instale la manguera de aspiradora (no incluida) si lo desea.
- Coloque el riel en la pieza de trabajo y ubique la tira de corte de goma a lo largo de la línea de corte deseada.
- Sujete el riel a la pieza de trabajo como se describió anteriormente.
- Coloque la sierra en el riel y haga ajustes si es necesario.
- Réinstalar el paquete de batería.
- Deslice la sierra hasta el final inicial del riel y asegúrese de que la hoja esté colocada para cortar toda la pieza de trabajo.
- Encienda la sierra y permita a la hoja alcanzar su velocidad máxima.
- Baje con cuidado la hoja hasta que entre en contacto con la pieza de trabajo.
- Guíe la sierra en dirección hacia adelante a lo largo del riel para lograr un corte al hilo recto.  
**NOTA:** Tenga precaución para prevenir que la hoja se atasque en el corte.  
**NOTA:** Para reducir el riesgo de astillado, siempre haga un corte ranurado antes de cortar materiales compuestos o madera contrachapada o laminada.
- Suelte el gatillo y permita que se detenga completamente la hoja de corte.

- Deje que el mango frontal suba lentamente hasta que el disco de corte quede completamente dentro de la protección y la sierra está en la posición bloqueada.
- Retire de la sierra el paquete de baterías.

### CORTE AL HILO SIN RIEL

- Retire la batería e instale la cuchilla separadora.  
**NOTA:** Instale siempre la cuchilla separadora al realizar cortes pasantes (excepto cortes de bolsillo).
- Asegure la pieza de trabajo en un banco, mesa de trabajo o otro soporte adecuado con una prensa fija o varias de mano.
- Coloque la palanca de control de profundidad de inmersión en la posición de corte de inmersión.
- Ajuste la hoja a la profundidad correcta.
- Instale la manguera de aspiradora (no incluida) si lo desea.
- Sujete una regla (pieza recta) a la pieza de trabajo mediante prensas de mano.
- Réinstalar el paquete de batería.
- Coloque la parte frontal de la parte plana de la base en la pieza de trabajo.
- Encienda la sierra y permita a la hoja alcanzar su velocidad máxima.
- Baje con cuidado la hoja hasta que entre en contacto con la pieza de trabajo.
- Corte a lo largo del borde recto en dirección hacia adelante para lograr un corte al hilo recto.  
**NOTA:** Tenga precaución para prevenir que la hoja se atasque en el corte.  
**NOTA:** Para reducir el riesgo de astillado, siempre haga un corte ranurado antes de cortar materiales compuestos o madera contrachapada o laminada.
- Suelte el gatillo y espere que la hoja se detenga por completo.
- Deje que el mango frontal suba lentamente hasta que el disco de corte quede completamente dentro de la protección y la sierra está en la posición bloqueada.
- Retire de la sierra el paquete de baterías.

### CORTE A BISEL

Veá las figuras 33 a 36, página 23.

Un corte en bisel se efectúa cortando la pieza de trabajo con la hoja en ángulo.

### CORTE BISELADO A LO LARGO DE UN RIEL

- **NOTA:** Utilice siempre la función antivuelco cuando haga cortes biselados a lo largo de un riel para evitar que la sierra vuelque o se desequilibre.
- Retire la batería e instale la cuchilla separadora.  
**NOTA:** Instale siempre la cuchilla separadora al realizar cortes pasantes (excepto cortes de bolsillo).
- Asegure la pieza de trabajo en un banco, mesa de trabajo o otro soporte adecuado con una prensa fija o varias de mano.

# FUNCIONAMIENTO

- Coloque la palanca de control de profundidad de inmersión en la posición de corte de inmersión.
- Ajuste la hoja a la profundidad correcta.
- Instale la manguera de aspiradora (no incluida) si lo desea.
- Coloque el riel en la pieza de trabajo y ubique la tira de corte de goma a lo largo de la línea de corte deseada.
- Sujete el riel a la pieza de trabajo como se describió anteriormente.
- Afloje la perilla antivuelco y gírela hacia adentro para extender la placa de bloqueo.
- Ajuste la perilla antivuelco.
- Sostenga la sierra en ángulo y guíe la placa de bloqueo por debajo del borde del riel.
- Coloque el resto de la sierra en el riel y haga ajustes si es necesario.

**NOTA:** Para quitar la sierra del riel, afloje la perilla antivuelco y gírela hacia afuera para retraer la placa de bloqueo y luego jale la sierra hacia arriba y hacia fuera.

- Afloje la perilla de seguridad del bisel y mueva la sierra hacia el ángulo izquierdo del bisel deseado.
- Los ángulos de bisel pueden fijarse de  $-1^\circ$  a  $48^\circ$ .

**NOTA:** Use la palanca de desviación de bisel para lograr ángulos de bisel entre  $45^\circ$  y  $48^\circ$ . Utilice la solapa de desviación negativa para lograr un ángulo de bisel de  $-1^\circ$ . Consulte Configuración de **biselado extendido más adelante** en esta sección.

- Ajuste la perilla de fijación del bisel.

## ADVERTENCIA:

Intentar un corte biselado sin tener la perilla de bloqueo del bisel ajustada firmemente puede provocar una lesión grave.

- Réinstalar el paquete de batería.
- Deslice la sierra hasta el final inicial del riel y asegúrese de que la hoja esté colocada para cortar toda la pieza de trabajo.
- Encienda la sierra y permita a la hoja alcanzar su velocidad máxima.
- Baje con cuidado la hoja hasta que entre en contacto con la pieza de trabajo.
- Guíe la sierra en dirección hacia adelante a lo largo del riel para lograr un corte biselado.

**NOTA:** Tenga precaución para prevenir que la hoja se atasque en el corte.

**NOTA:** Para reducir el riesgo de astillado, siempre haga un corte ranurado antes de cortar materiales compuestos o madera contrachapada o laminada.

- Suelte el gatillo y espere que la hoja se detenga por completo.
- Deje que el mango frontal suba lentamente hasta que el disco de corte quede completamente dentro de la protección y la sierra está en la posición bloqueada.
- Retire de la sierra el paquete de baterías.

## CORTE BISELADO SIN EL RIEL

- Retire la batería e instale la cuchilla separadora.  
**NOTA:** Instale siempre la cuchilla separadora al realizar cortes pasantes (excepto cortes de bolsillo).
- Asegure la pieza de trabajo en un banco, mesa de trabajo o otro soporte adecuado con una prensa fija o varias de mano.
- Coloque la palanca de control de profundidad de inmersión en la posición de corte de inmersión.
- Ajuste la hoja a la profundidad correcta.
- Instale la manguera de aspiradora (no incluida) si lo desea.
- Afloje la perilla de seguridad del bisel y mueva la sierra hacia el ángulo izquierdo del bisel deseado.
- Los ángulos de bisel pueden fijarse de  $-1^\circ$  a  $48^\circ$ .  
**NOTA:** Use la palanca de desviación de bisel para lograr ángulos de bisel entre  $45^\circ$  y  $48^\circ$ . Utilice la solapa de desviación negativa para lograr un ángulo de bisel de  $-1^\circ$ . Consulte Configuración de **biselado extendido más adelante** en esta sección.
- Ajuste la perilla de fijación del bisel.

## ADVERTENCIA:

Intentar un corte biselado sin tener la perilla de bloqueo del bisel ajustada firmemente puede provocar una lesión grave.

- Réinstalar el paquete de batería.
- Coloque la parte frontal de la parte plana de la base en la pieza de trabajo.
- Encienda la sierra y permita a la hoja alcanzar su velocidad máxima.
- Baje con cuidado la hoja hasta que entre en contacto con la pieza de trabajo.
- Guíe la hoja de la sierra hacia la pieza de trabajo y corte ésta.  
**NOTA:** Tenga precaución para prevenir que la hoja se atasque en el corte.
- Suelte el gatillo y espere que la hoja se detenga por completo.
- Deje que el mango frontal suba lentamente hasta que el disco de corte quede completamente dentro de la protección y la sierra está en la posición bloqueada.
- Retire de la sierra el paquete de baterías.

## AJUSTE DE BISELADO EXTENDIDO

*Vea las figuras 37 y 38, página 23.*

La capacidad de biselado extendido de la sierra le permite hacer cortes biselados de  $-1^\circ$  a  $48^\circ$ .

**NOTA:** Utilice siempre la función antivuelco cuando haga cortes biselados a lo largo de un riel para evitar que la sierra vuelque o se desequilibre.

### Para lograr ángulos de bisel entre $45^\circ$ y $48^\circ$ :

- Retire la batería.
- Gire la palanca de desviación de bisel completamente hacia la derecha para cambiar el límite de bisel superior de  $45^\circ$  a  $48^\circ$ .

# FUNCIONAMIENTO

**NOTA:** Gire la palanca completamente hacia la izquierda para cambiar el límite de bisel superior nuevamente a 45°.

- Afloje las perillas de bloqueo de bisel y mueva la sierra al ángulo de bisel deseado.
- Ajuste las perillas de bloqueo de bisel.

## Para lograr un ángulo de bisel de -1°:

- Retire la batería.
- Gire la solapa de desviación negativa que está cerca de la parte trasera de la sierra completamente hacia la izquierda.
- Gire la solapa de desviación negativa que está cerca de la parte delantera de la sierra completamente hacia la derecha.
- Afloje las perillas de bloqueo de bisel y mueva la sierra al ángulo de bisel deseado.

**NOTA:** Tal vez deba hacer un poco de presión para mover la sierra de 0° a -1°.

- Ajuste las perillas de bloqueo de bisel.

## CORTE EN CAVIDAD

Vea la figura 39, página 23.

### ADVERTENCIA:

Ajuste siempre el bisel a cero antes de realizar un corte de cavidad. Si se intenta efectuar un corte en cavidad a cualquier otro ángulo puede producirse una pérdida de control de la sierra, y por consecuencia posibles lesiones serias.

- Retire de la sierra la batería e la cuchilla separadora.  
**NOTA:** Retire siempre la cuchilla separadora cuando realice cortes no pasantes y cortes de bolsillo.
- Asegure la pieza de trabajo en un banco, mesa de trabajo o otro soporte adecuado con una prensa fija o varias de mano.
- Coloque la palanca de control de profundidad de inmersión en la posición de corte de inmersión.

- Ajuste la hoja a la profundidad correcta.
- Si corta a lo largo de un riel, baje la hoja hacia la pieza de trabajo y guíe la sierra a lo largo del riel hasta la longitud de corte deseada.
- Instale la manguera de aspiradora (no incluida) si lo desea.
- Réinstalar el paquete de batería.
- Mueva la sierra a su posición.
- Coloque la parte frontal de la parte plana de la base en la pieza de trabajo.
- Encienda la sierra y permita a la hoja alcanzar su velocidad máxima.
- Baje lentamente la hoja para meterla en la pieza de trabajo y realizar el corte. Si corta a lo largo de un riel, baje la hoja hacia la pieza de trabajo y guíe la sierra en dirección hacia adelante a lo largo del riel hasta la longitud de corte deseada.  
**NOTA:** Para reducir el riesgo de astillado, siempre haga un corte ranurado antes de cortar materiales compuestos o madera contrachapada o laminada.

### ADVERTENCIA:

Siempre corte avanzando hacia adelante al efectuar cortes en cavidad. Si corta retrocediendo, la sierra podría subirse a la pieza de trabajo y lanzarse contra usted.

- Suelte el gatillo y permita que se detenga completamente la hoja de corte.
- Deje que el mango frontal suba lentamente hasta que el disco de corte quede completamente dentro de la protección y la sierra está en la posición bloqueada.
- Vuelva a colocar la sierra y el riel (si corresponde), y repita los pasos anteriores para las líneas de corte restantes.
- Limpie las esquinas con una sierra de mano, una sierra de sable o un cincel.

# AJUSTES

### ADVERTENCIA:

Para evitar un arranque accidental que podría causar lesiones corporales serias, siempre desmonte de la herramienta el paquete de baterías al montarle piezas a aquélla.

## CÓMO AJUSTAR LA BASE PARALELA A LA A LA HOJA

Vea las figuras 40 y 41, página 24.

- Retire el paquete de baterías.
- Coloque la sierra boca abajo sobre una mesa de trabajo.

- Retire el perno y la arandela ubicados cerca del centro de la base.  
**NOTA:** La arandela se encuentra entre la base y el protector.
- Voltee la sierra con el lado derecho hacia arriba.
- Deslice el cono de resorte lejos del soporte en la base.
- Retire el resorte de compresión del cono.
- Deslice el resorte de compresión hacia abajo alejándolo de la abertura en la carcasa de la sierra.
- Coloque la palanca de control de profundidad de inmersión en la posición de corte de inmersión.
- Baje la hoja por completo.
- Voltee la sierra boca abajo.

# AJUSTES

- Marque junto a uno de los dientes de la hoja en la parte delantera de la hoja. Con una regla, mida la distancia desde el diente de la hoja hasta el borde de la base de la sierra que se indica en la figura 41.
- Gire la hoja para que el diente marcado quede en la parte posterior.
- Mueva la regla hacia atrás y mida nuevamente la distancia desde el diente de la hoja hasta el borde de la base de la sierra. Si las distancias son iguales, la hoja y la base son paralelas.
- Vuelva a montar el resorte, el cono del resorte, la arandela y el tornillo.

## Si ambas distancias medidas son diferentes:

- Retire el paquete de baterías.
- Retire el tornillo ubicado cerca del centro de la base, la arandela, el resorte de compresión y el cono.
- Coloque la palanca de control de profundidad de inmersión en la posición de corte de inmersión.
- Baje la hoja por completo.
- Voltee la sierra boca abajo.
- Afloje sin retirar los tornillos ubicados cerca de la parte delantera y trasera de la base.
- Ajuste la base hasta que quede paralela a la hoja de la sierra.
- Ajuste los tornillos. Verifique nuevamente la cuadratura y continúe ajustando si es necesario.
- Vuelva a montar el resorte, el cono del resorte, la arandela y el tornillo.

## PARA AJUSTAR LA HOJA DE CORTE A 0° O 45°

Veá las figuras 42 a 45, páginas 24 y 25.

Los ajustes de ángulo de la sierra se hicieron en la fábrica y, a menos que se hayan dañado durante el transporte, no necesitan ajuste durante el armado. Después de un uso intenso, es posible que se necesite revisar.

- Retire el paquete de baterías.
- Retire el tornillo ubicado cerca del centro de la base, la arandela, el resorte de compresión y el cono.
- Coloque la palanca de control de profundidad de inmersión en la posición de corte de inmersión.

## Para verificar la cuadratura (bisel de 0°):

- Afloje las perillas de bloqueo de bisel e incline la sierra a 0°.
- Ajuste la perilla de fijación del bisel.
- Baje completamente la hoja de corte.
- Coloque la sierra boca abajo sobre una mesa de trabajo.
- Verifique la cuadratura de la hoja de la sierra con la base de la sierra usando una escuadra de carpintero.

## Si la hoja no forma un ángulo exacto de 90° (bisel de 0°):

- Afloje las tuercas hexagonales que sujetan los tornillos de ajuste.
- Gire los tornillos de ajuste y ajuste la base hasta que quede en escuadra con la hoja de la sierra.
- Apriete firmemente las tuercas hexagonales y las perillas de bloqueo de bisel.

## Una vez que la hoja forme un ángulo recto con la mesa (bisel de 0°):

- Controle el indicador de bisel.
- Si el indicador no marca 0° en la escala de bisel, afloje el tornillo de ajuste del indicador y ajuste el indicador.

**NOTA:** Incline la sierra a 45° y vuelva a verificar el indicador.

- Vuelva a apretar el tornillo.

## Para verificar la cuadratura (bisel de 45°):

- Afloje las perillas de bloqueo de bisel e incline la sierra a 45°.
- Ajuste la perilla de fijación del bisel.
- Baje completamente la hoja de corte.
- Coloque la sierra boca abajo sobre una mesa de trabajo.
- Verifique la cuadratura de la hoja de la sierra con la base de la sierra usando una escuadra de carpintero.

## Si la hoja no forma un ángulo exacto de 45°:

- Gire el tornillo de tope de 45° 1/4 de vuelta hacia la derecha o hacia la izquierda hasta que la hoja quede en escuadra.

- Ajuste la perilla de fijación del bisel.

## Una vez que la hoja forme un ángulo de 45° con respecto a la base:

- Controle el indicador de bisel.
- Si el indicador no marca 0° en la escala de bisel, afloje el tornillo de ajuste del indicador y ajuste el indicador.

**NOTA:** Incline la sierra a 0° y vuelva a verificar el indicador.

- Vuelva a apretar el tornillo.

## Cuando todos los ajustes son completos:

- Vuelva a montar el resorte, el cono del resorte, la arandela y el tornillo.

# ACCESORIOS

Busque estos accesorios en la misma tienda en la que adquirió este producto o llame al 1-800-525-2579:

- Ensamblaje de rieles de 69,85 cm (27,5 pulg.)  
[incl. dos conectores, tornillos de fijación y tiras de corte de goma]..... 089240074701
- Ensamblaje de rieles de 139,7 cm (55 pulg.)  
[incl. dos conectores, tornillos de fijación y tiras de corte de goma]..... 089240074710
- Conjunto de conectores de rieles (incl. dos conectores y tornillos de fijación)..... 089240074711
- Cuchilla separador ..... 089240074115
- Tira de corte de goma de 69,85 cm (27,5 pulg.)..... 089240074117
- Tira de corte de goma de 139,7 cm (55 pulg.) ..... 089240074116
- Solapas de ajuste de riel ..... 089240074118 (delantero) y 089240074119 (trasero)
- Hoja de 16,51 cm (6-1/2 pulg.) ..... 089240074110
- Ensamblaje de abrazadera de riel ..... 089240074712

## ADVERTENCIA:

Arriba se señalan los aditamentos y accesorios disponibles para usarse con este producto. No utilice ningún aditamento o accesorio no recomendado por el fabricante de este producto. El empleo de aditamentos o accesorios no recomendados podría causar lesiones serias.

# MANTENIMIENTO

## ADVERTENCIA:

Al dar servicio a la herramienta, utilice solamente piezas de repuesto idénticas. El empleo de piezas diferentes puede implicar peligro o causar daños al producto.

## ADVERTENCIA:

Use siempre protección ocular con protecciones laterales con la marca de cumplimiento de la norma Z87.1 del ANSI. La inobservancia de esta advertencia puede causar el lanzamiento de objetos a los ojos, y por consecuencia posibles lesiones serias.

## ADVERTENCIA:

Para evitar lesiones corporales serias, siempre retire el paquete de baterías de la herramienta al limpiarla o darle mantenimiento.

## MANTENIMIENTO GENERAL

Evite el empleo de solventes al limpiar piezas de plástico. La mayoría de los plásticos son susceptibles a diferentes tipos de solventes comerciales y pueden resultar dañados. Utilice paños limpios para eliminar la suciedad, el polvo, el aceite, la grasa, etc.

## ADVERTENCIA:

No permita en ningún momento que fluidos para frenos, gasolina, productos a base de petróleo, aceites penetrantes, etc., lleguen a tocar las piezas de plástico. Las sustancias químicas pueden dañar, debilitar o destruir el plástico, lo cual a su vez puede producir lesiones corporales serias.

## REEMPLAZO DE LA SOLAPA DE AJUSTE DE RIEL

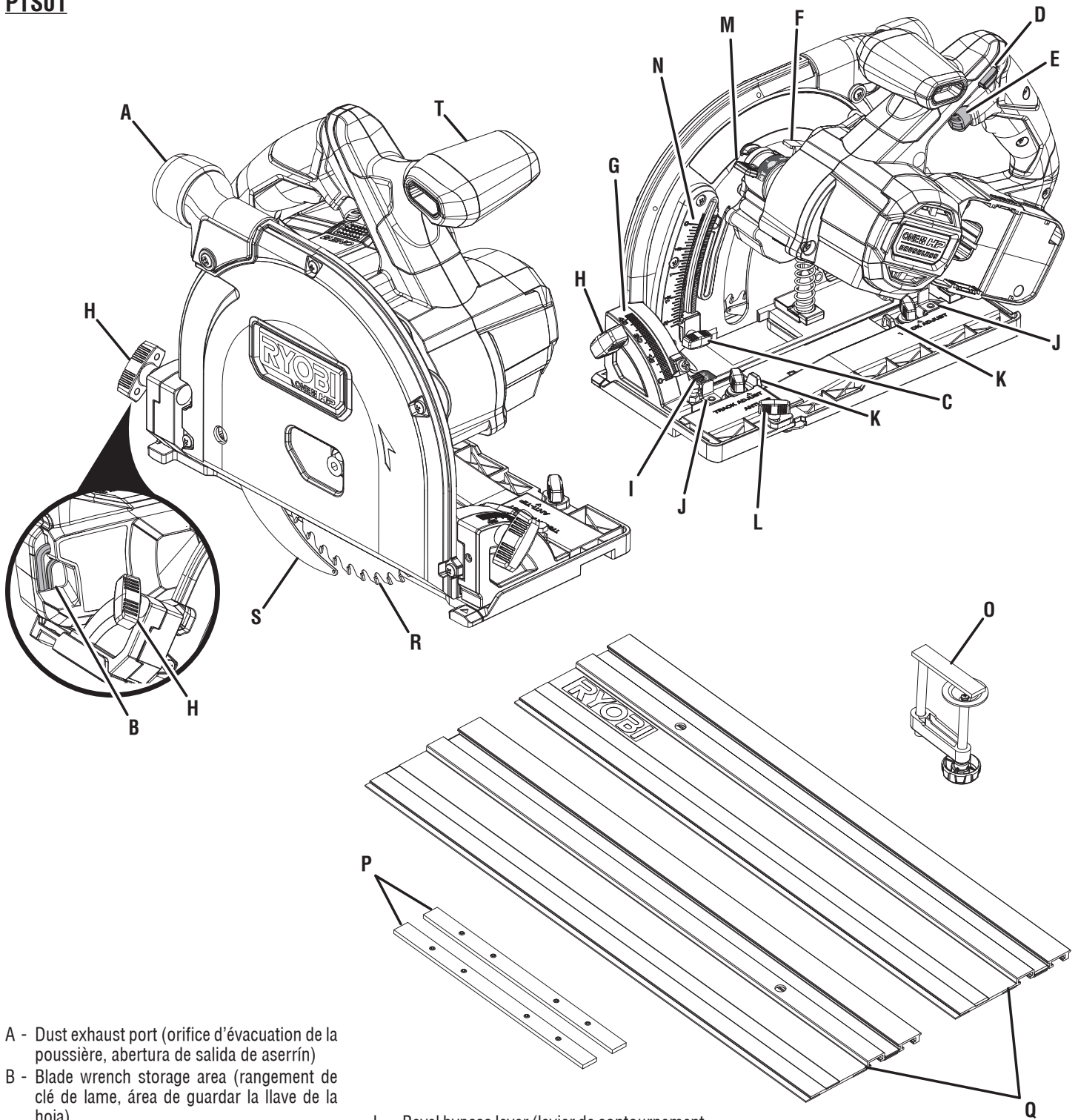
*Vea la figura 46, página 25.*

Después de un uso prolongado, la solapa de ajuste de riel puede desgastarse y debe reemplazarse. **Para reemplazar la solapa:**

- Retire el paquete de baterías.
- Retire la sierra del riel.
- Afloje y retire la perilla de bloqueo.
- Retire la arandela y la solapa de ajuste del riel.
- Coloque la nueva solapa de ajuste de riel en el orificio de la base.

**NOTA:** Hay solapas de ajuste de riel en la parte delantera y trasera de la sierra. Tenga en cuenta que no son intercambiables. Utilice siempre piezas de repuesto idénticas.

- Asegure la solapa en su lugar usando la arandela y la perilla de bloqueo.
- Coloque la sierra en el riel y ajuste las solapas según sea necesario.

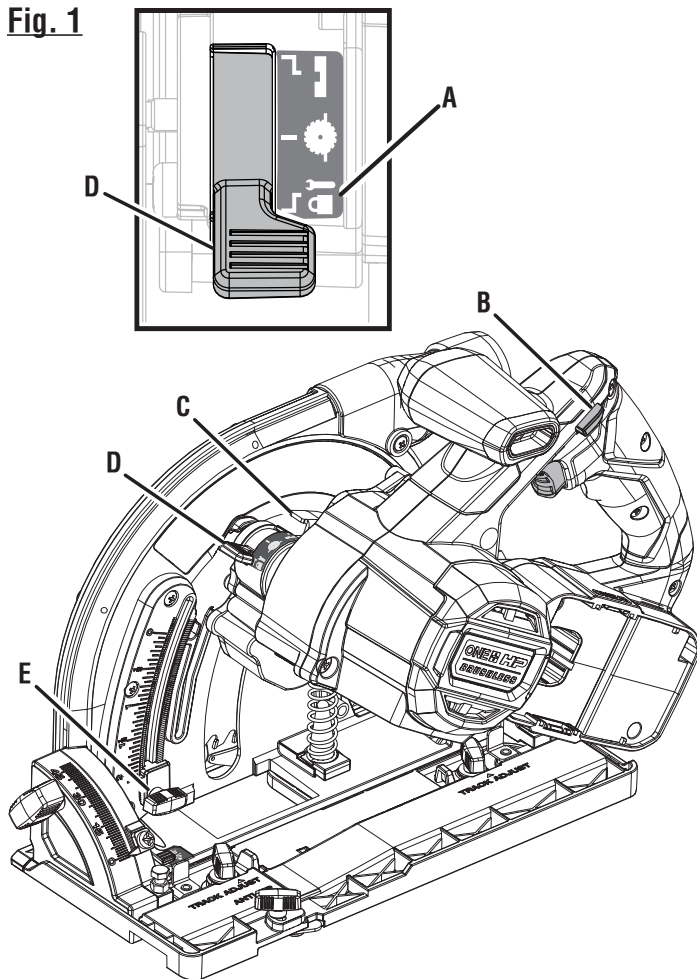


- A - Dust exhaust port (orifice d'évacuation de la poussière, abertura de salida de aserrín)
- B - Blade wrench storage area (rangement de clé de lame, área de guardar la llave de la hoja)
- C - Depth lock knob (bouton de verrouillage de profondeur, perilla de bloqueo de profundidad)
- D - Lock-off button (bouton de verrouillage, botón del seguro de apagado)
- E - Switch trigger (gâchette de commutateur, gatillo del interruptor)
- F - Spindle lock (verrouillage de broche, husillo con seguro)
- G - Bevel scale (échelle de biseau, escala de bisel)
- H - Bevel lock knob (bouton de verrouillage de biseau, perilla de fijación del bisel)

- I - Bevel bypass lever (levier de contournement de biseau, palanca de desviación de bisel)
- J - Negative bypass tab (languette de contournement négative, solapa de desviación negativa)
- K - Track adjustment tab (languette d'ajustement du rail, solapa de ajuste de riel)
- L - Anti-tip knob (bouton antibascule, anti-tip perilla antivuelco)
- M - Plunge depth control lever (levier de contrôle de la profondeur de plongée, palanca de control de profundidad de inmersión)

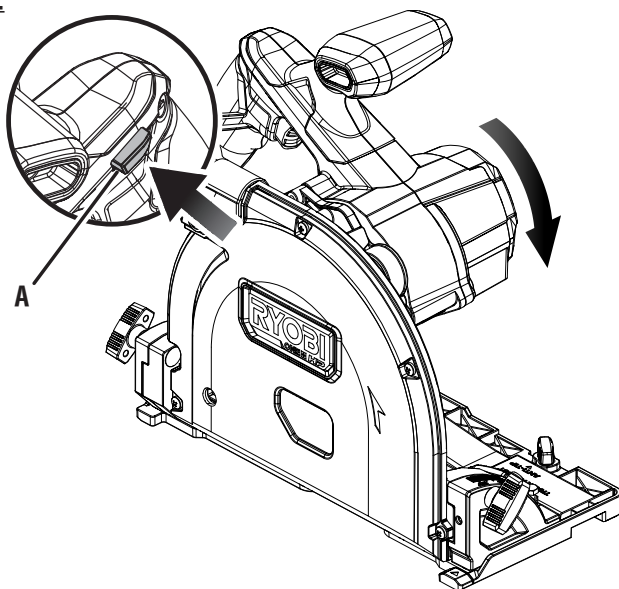
- N - Depth of cut scale (échelle de profondeur, escala de profundidad)
- O - Track clamp (pince à rail, abrazadera de riel)
- P - Connector (connecteur, conector)
- Q - Track (rail, riel)
- R - Cutting blade (lame de coupe, hoja para cortar)
- S - Riving knife (couteau diviseur, cuchilla separador)
- T - Front handle (poignée avant, mango delantero)

**Fig. 1**



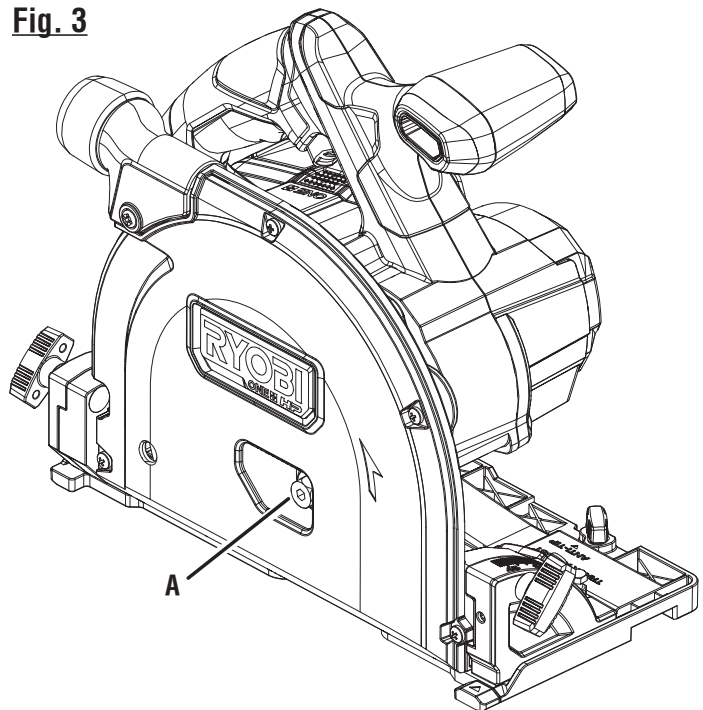
- A - Blade change position (position du changement de lame, posición de cambio de hoja)
- B - Lock-off button (bouton de verrouillage, botón del seguro de apagado)
- C - Spindle lock (verrouillage de broche, husillo con seguro)
- D - Plunge depth control lever (levier de contrôle de la profondeur de plongée, palanca de control de profundidad de inmersión)
- E - Depth lock knob (bouton de verrouillage de profondeur, perilla de bloqueo de profundidad)

**Fig. 2**



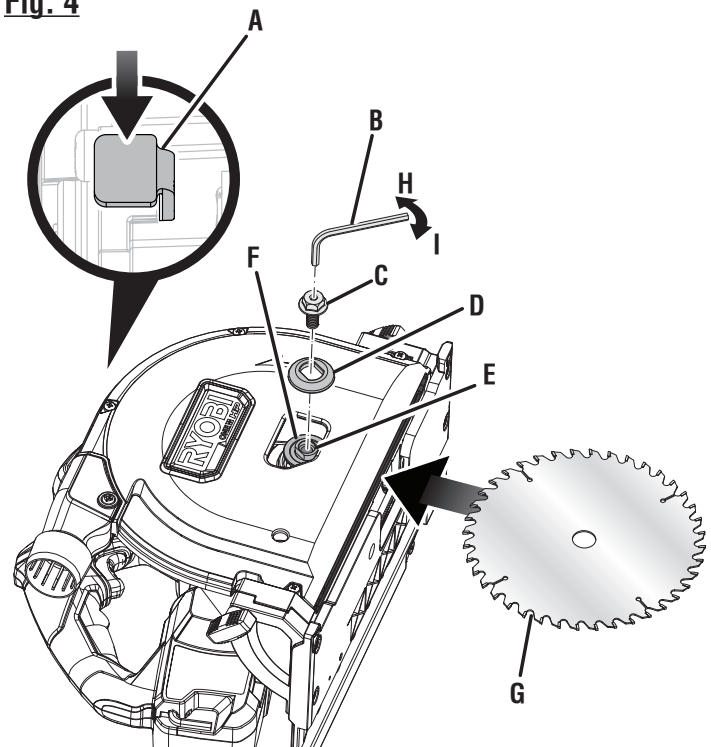
- A - Lock-off button (bouton de verrouillage, botón del seguro de apagado)

**Fig. 3**



- A - Blade screw (vis de lame, tornillo de la hoja)

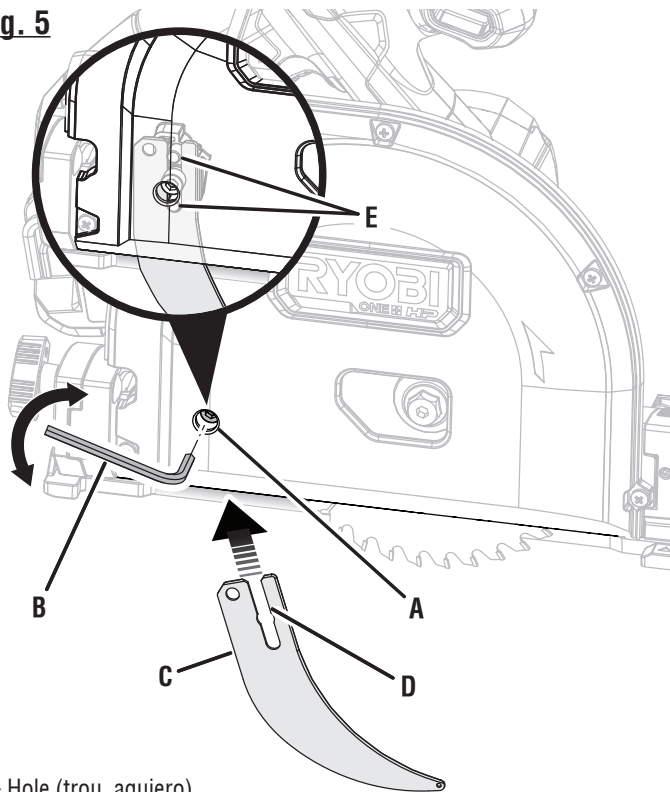
**Fig. 4**



- A - Spindle lock (verrouillage de broche, husillo con seguro)
- B - Blade wrench (clé de lame, llave de hoja)
- C - Blade screw (vis de lame, tornillo de la hoja)
- D - Outer blade washer (rondelle de lame extérieure, arandela exterior de la hoja)
- E - Spindle (broche, husillo)
- F - Inner blade washer (rondelle de lame intérieure, arandela interior de la hoja)
- G - Cutting blade (lame de coupe, hoja para cortar)
- H - To loosen (pour desserrer, para aflojar)
- I - To tighten (pour serrer, para apretar)

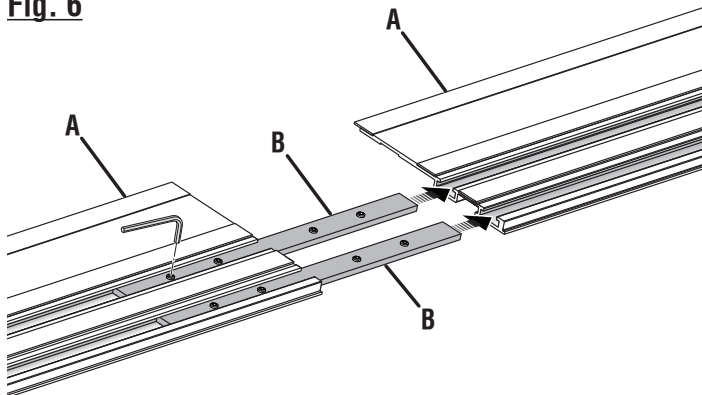


**Fig. 5**



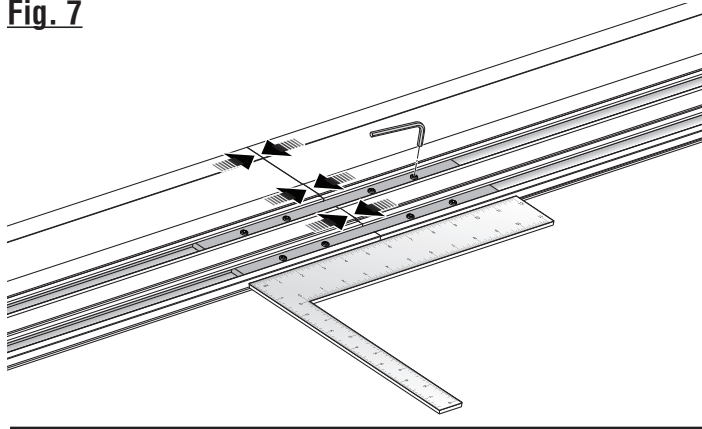
- A - Hole (trou, agujero)
- B - Blade wrench (clé de lame, llave de hoja)
- C - Riving knife (couteau diviseur, cuchilla separador)
- D - Slot (fente, ranura)
- E - Studs (goujons, pernos)

**Fig. 6**

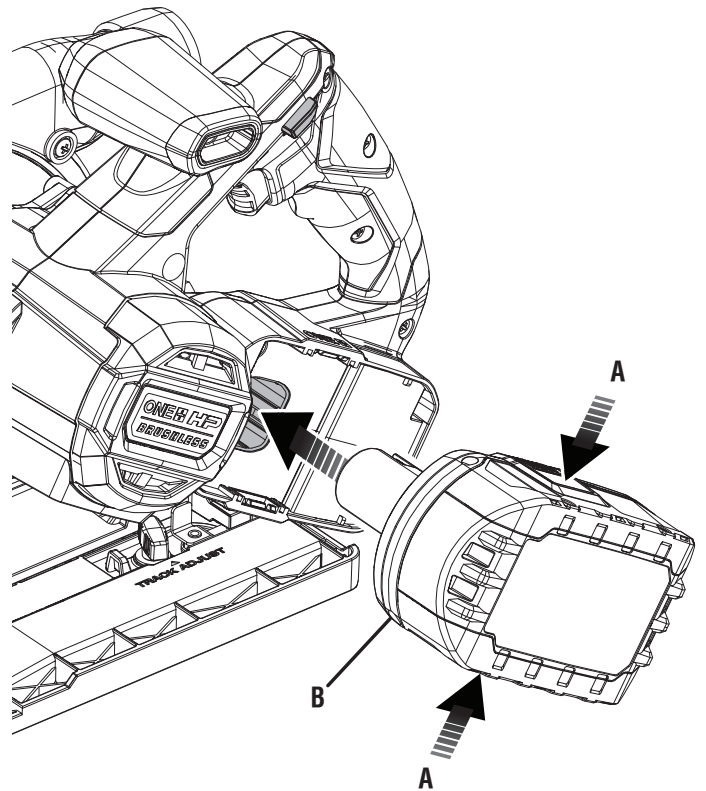


- A - Track (rail, riel)
- B - Connector (connecteur, conector)

**Fig. 7**



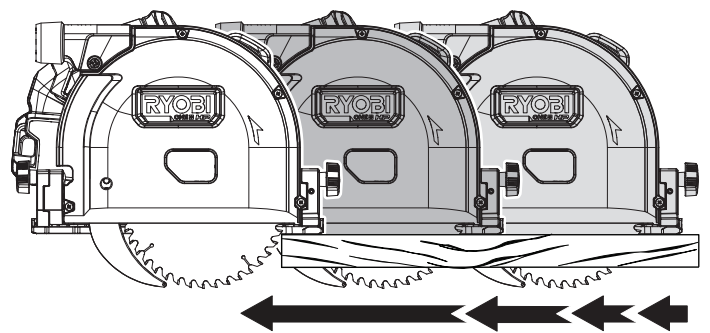
**Fig. 8**



- A - Depress latches to remove battery pack (appuyer sur les loquets pour libérer le bloc-piles, para soltar el paquete de baterías, oprima los pestillos)
- B - Battery pack (bloc-piles, paquete de baterías)

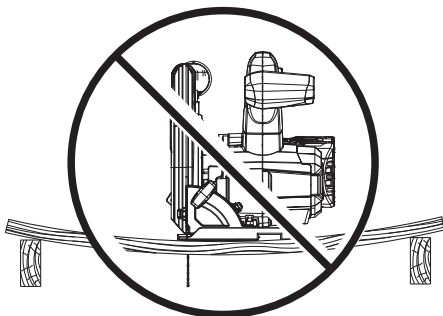
**Fig. 9**

**KICKBACK - BLADE SET TOO DEEP**  
**REBOND - PROFONDEUR DE COUPE EXCESSIVE**  
**CONTRAGOLPE - LA HOJA SE AJUSTO MUY PROFUNDA**



**Fig. 11**

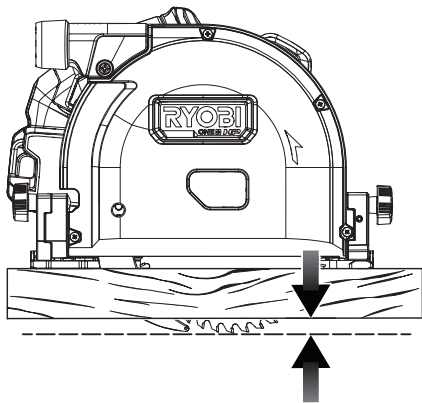
**INCORRECT SUPPORT  
(SUPPORT INCORRECT,  
SOPORTE INCORRECTO)**



**WRONG (INCORRECT, INCORRECTO)**

**Fig. 12**

**CORRECT  
BLADE DEPTH SETTING =  
BLADE EXPOSED 1/4 in. (6.35 mm)  
OR LESS ON UNDERSIDE  
OF WORKPIECE**

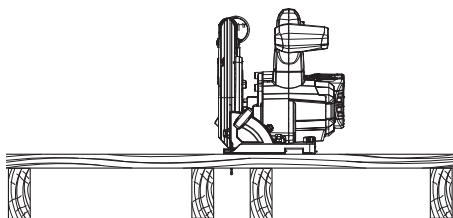


**(RÉGLAGE DE PROFONDEUR DE COUPE  
CORRECT = LA LAME DÉPASSE DE  
1/4 po (6,35 mm) OU MOINS  
AU-DESSOUS DE LA PIÈCE**

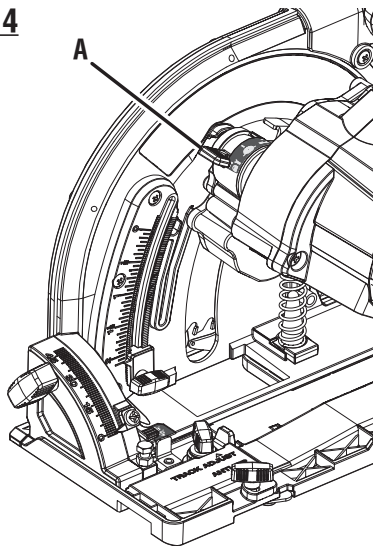
**AJUSTE CORRECTO DE LA PROFUNDIDAD DE LA  
HOJA = HOJA EXPUESTA 1/4 pulg. (6,35 mm)  
O MENOS BAJO LA PIEZA DE TRABAJO**

**Fig. 13**

**CORRECT  
SUPPORT  
(SUPPORT CORRECT,  
SOPORTE CORRECTO)**

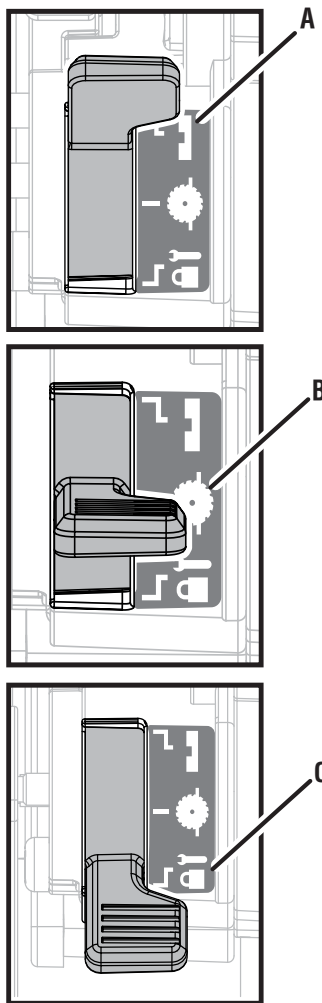


**Fig. 14**



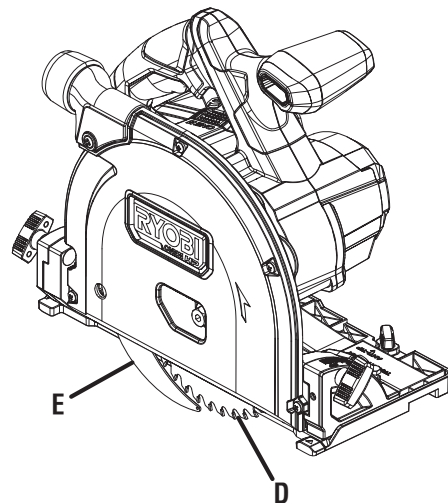
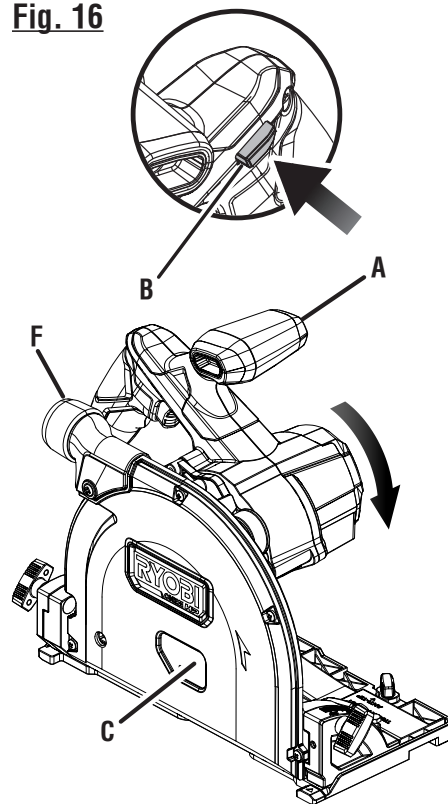
**A - Plunge depth control lever (levier de contrôle  
de la profondeur de plongée, palanca de  
control de profundidad de inmersión)**

**Fig. 15**



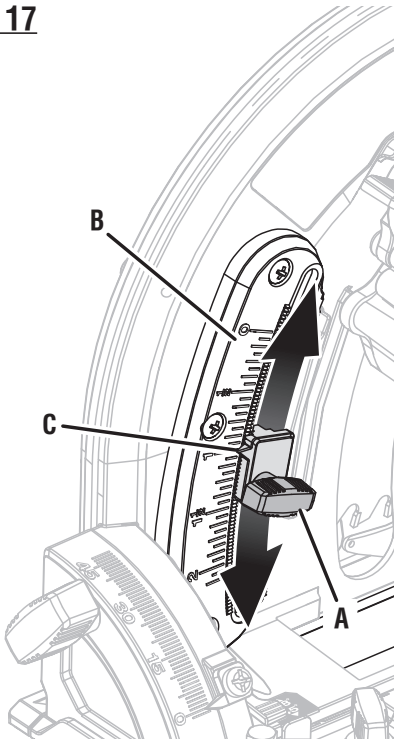
**A - Scoring position (position d'entaille,  
posición de ranurad)  
B - Plunge cut position (position de coupe en  
plongée, posición de corte de inmersión)  
C - Blade change position (position du  
changement de lame, posición de cambio de  
hoja)**

**Fig. 16**



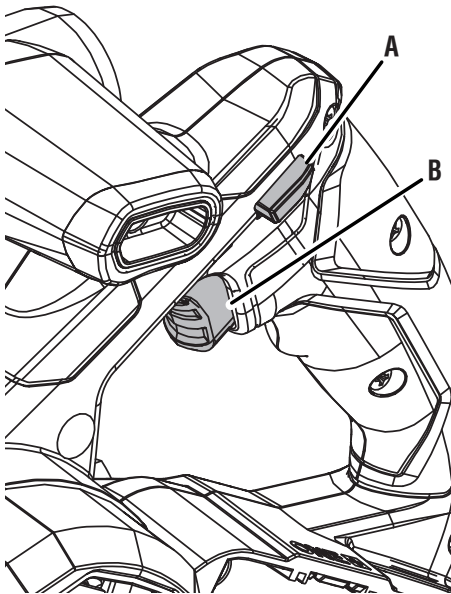
**A - Front handle (poignée avant, mango  
delantero)  
B - Lock-off button (bouton de verrouillage,  
botón del seguro de apagado)  
C - Window in guard (ouverture dans le protège-  
lame, apertura en protección de la hoja)  
D - Cutting blade (lowered) [lame de coupe  
(abaissée), hoja de corte (bajada)]  
E - Riving knife (couteau diviseur, cuchilla  
separador)  
F - Dust exhaust port (orifice d'évacuation de la  
poussière, abertura de salida de aserrín)**

**Fig. 17**



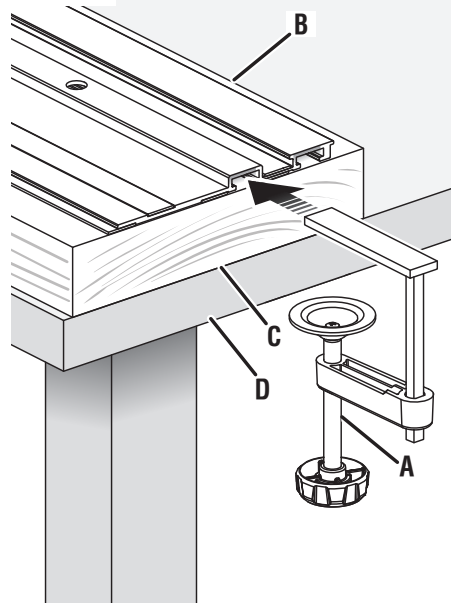
- A - Depth lock knob (bouton de verrouillage de profondeur, perilla de bloqueo de profundidad)
- B - Depth of cut scale (échelle de profondeur, escala de profundidad)
- C - Depth indicator (jauge de profondeur, indicador de profundidad)

**Fig. 18**



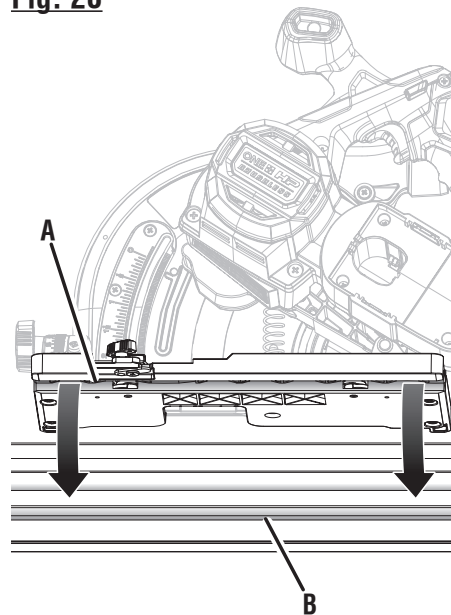
- A - Lock-off button (bouton de verrouillage, botón del seguro de apagado)
- B - Switch trigger (gâchette de commutateur, gatillo del interruptor)

**Fig. 19**



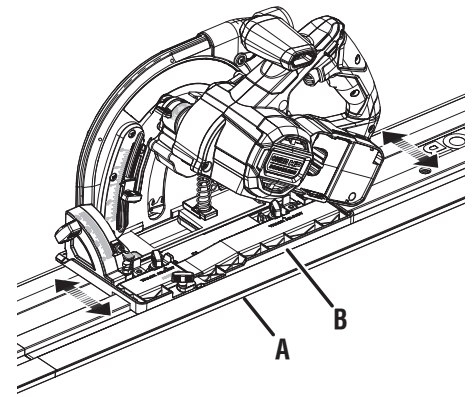
- A - Track clamp (pince à rail, abrazadera de riel)
- B - Track (rail, riel)
- C - Scrap material (chute de matériau, material de desecho)
- D - Support (support, soporte)

**Fig. 20**



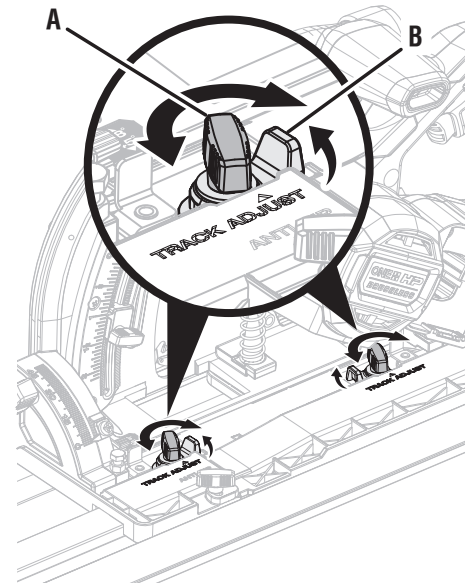
- A - Slot (fente, ranura)
- B - Raised tab (languette surélevé, orejeta realizada)

**Fig. 21**



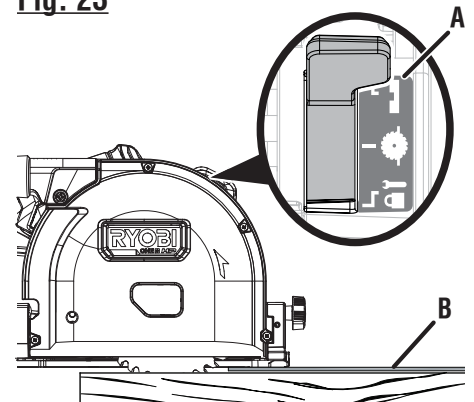
- A - Track (rail, riel)
- B - Base (base, base)

**Fig. 22**



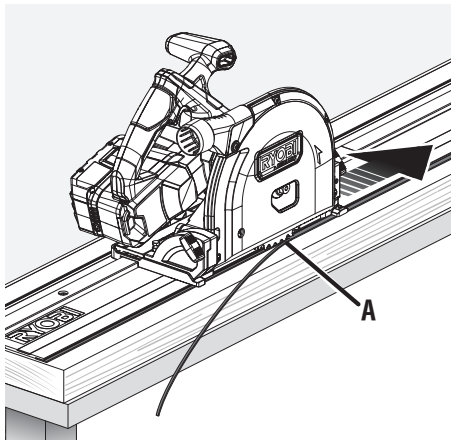
- A - Lock knob (bouton de verrouillage, perilla de fijación)
- B - Track adjustment tab (languette d'ajustement du rail, solapa de ajuste de riel)

**Fig. 23**



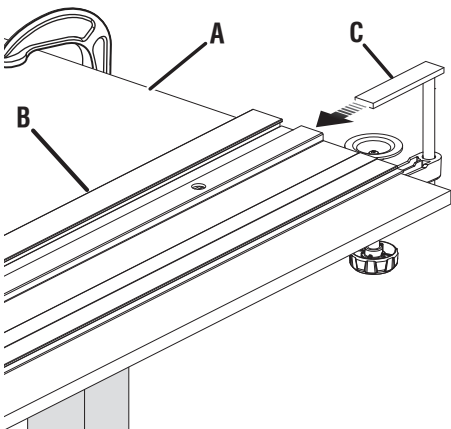
- A - Scoring position (position d'entaille, posición de ranurad)
- B - Track (rail, riel)

**Fig. 24**



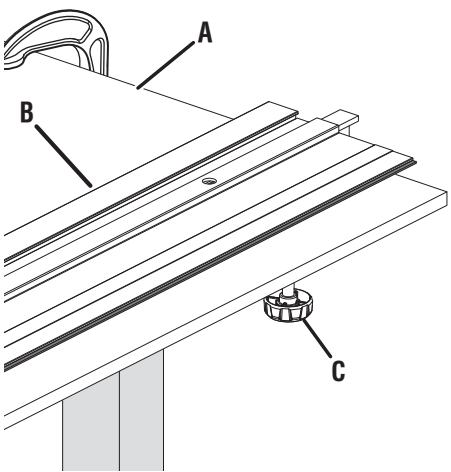
A - Rubber cut strip (bande de caoutchouc, tira de corte de goma)

**Fig. 25**



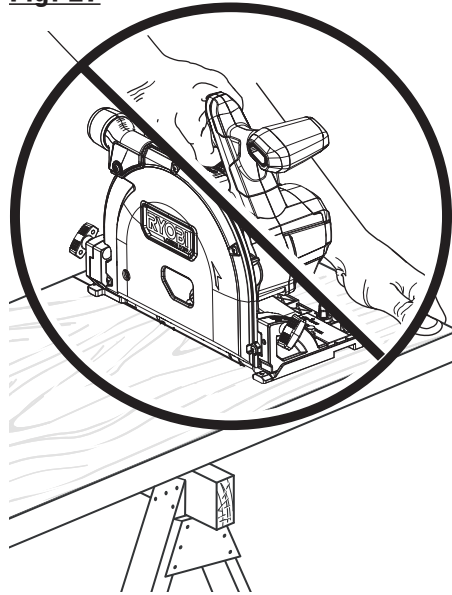
A - Workpiece (pièce, pieza de trabajo)  
B - Track (rail, riel)  
C - Track clamp (pince à rail, abrazadera de riel)

**Fig. 26**



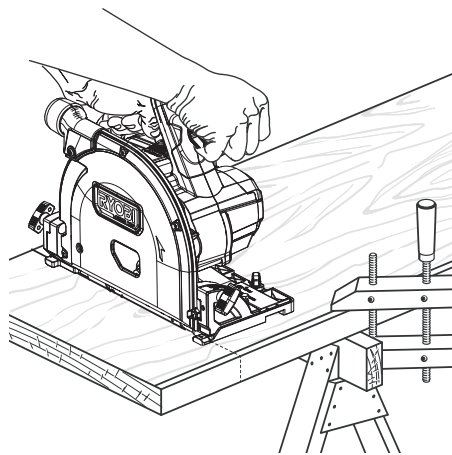
A - Workpiece (pièce, pieza de trabajo)  
B - Track (rail, riel)  
C - Track clamp (pince à rail, abrazadera de riel)

**Fig. 27**



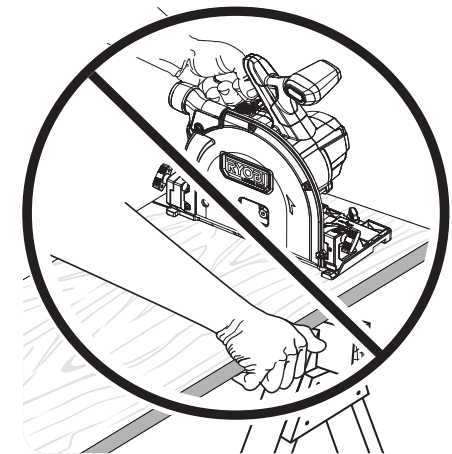
**WRONG (INCORRECT, INCORRECTO)**

**Fig. 28**



**CORRECT  
(CORRECT, CORRECTO)**

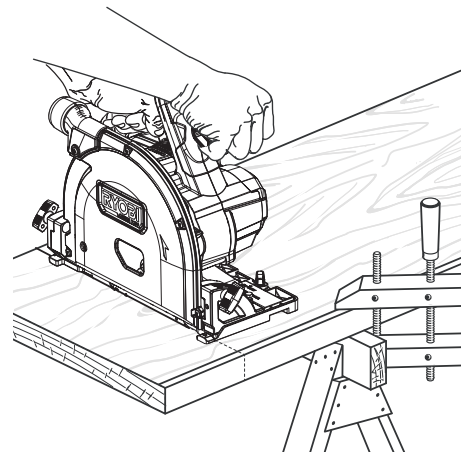
**Fig. 29**



**WRONG  
(MAL, INCORRECTO)**

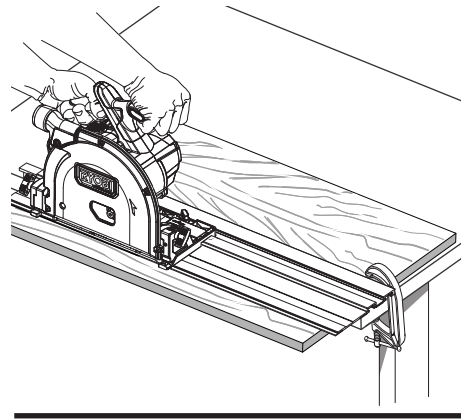
**Fig. 30**

**CROSS CUT  
COUPE EN TRAVERSALE  
CORTE TRANSVERSAL**



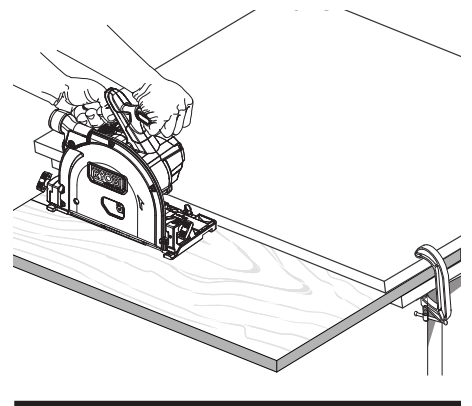
**Fig. 31**

**RIP CUT  
COUPE LONGITUDINAL  
CORTE AL HILO**

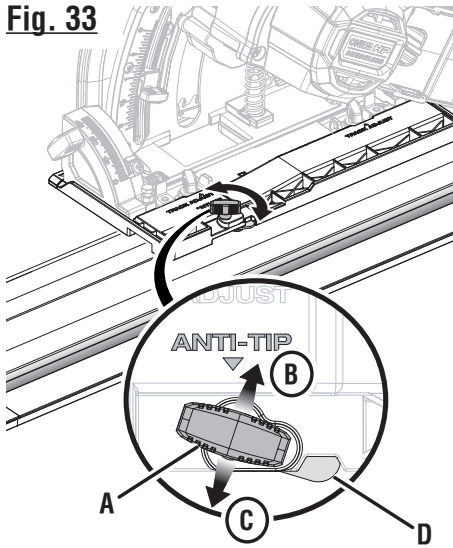


**Fig. 32**

**RIP CUT  
COUPE LONGITUDINAL  
CORTE AL HILO**

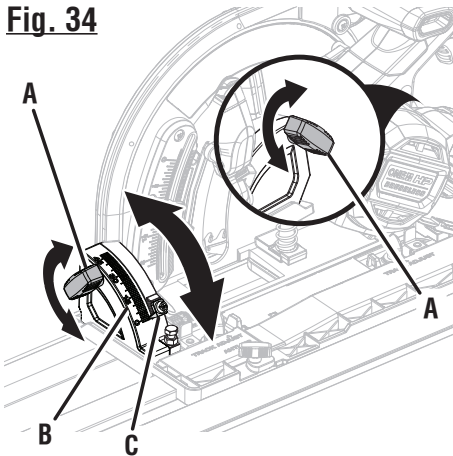


**Fig. 33**



- A - Anti-tip knob (bouton antibasculé, anti-tip perilla antivuelco)
- B - To extend plate (pour prolonger la plaque, para extender la placa)
- C - To retract plate (pour rétracter la plaque, para retraer la placa)
- D - Lock plate (plaque de verrouillage, placa de fijación)

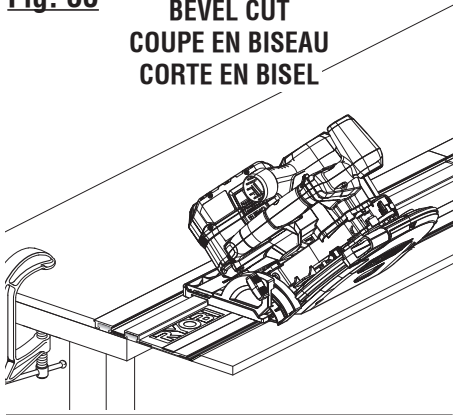
**Fig. 34**



- A - Bevel lock knob (bouton de verrouillage de biseau, perilla de fijación del bisel)
- B - Bevel scale (échelle de biseau, escala de bisel)
- C - Bevel indicator (indicateur de biseau, indicador de bisel)

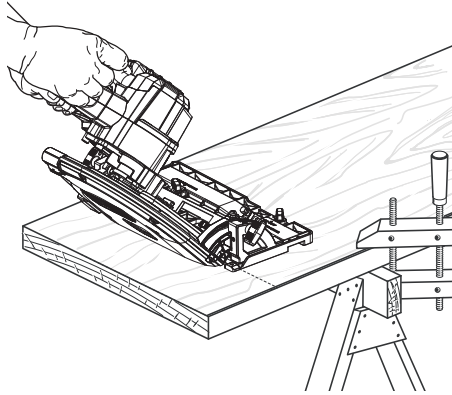
**Fig. 35**

**BEVEL CUT  
COUPE EN BISEAU  
CORTE EN BISEL**

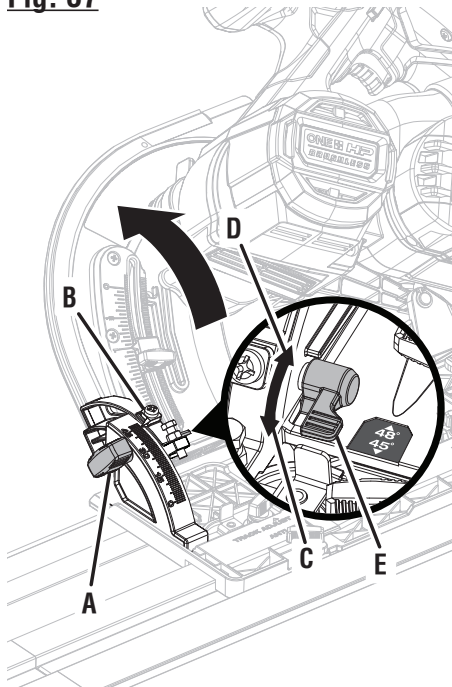


**Fig. 36**

**BEVEL CUT  
COUPE EN BISEAU  
CORTE EN BISEL**

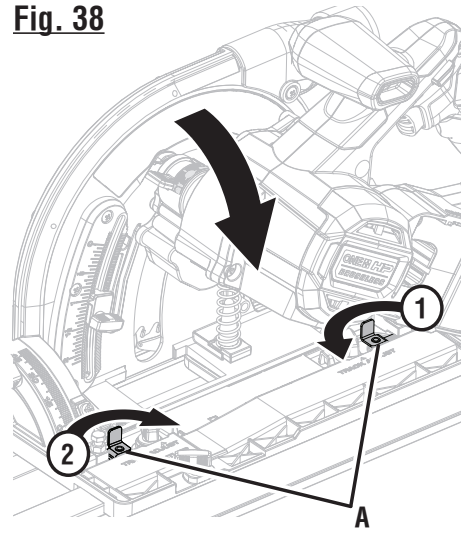


**Fig. 37**



- A - Bevel lock knob (bouton de verrouillage de biseau, perilla de fijación del bisel)
- B - Bevel indicator (indicateur de biseau, indicador de bisel)
- C - For 45° bevel limit (pour la limite de biseau 45°, para el límite de bisel de 45°)
- D - For 48° bevel limit (pour la limite de biseau 48°, para el límite de bisel de 48°)
- E - Bevel bypass lever (levier de contournement de biseau, palanca de desviación de bisel)

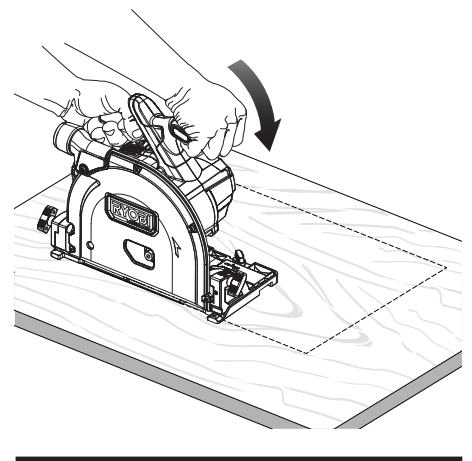
**Fig. 38**



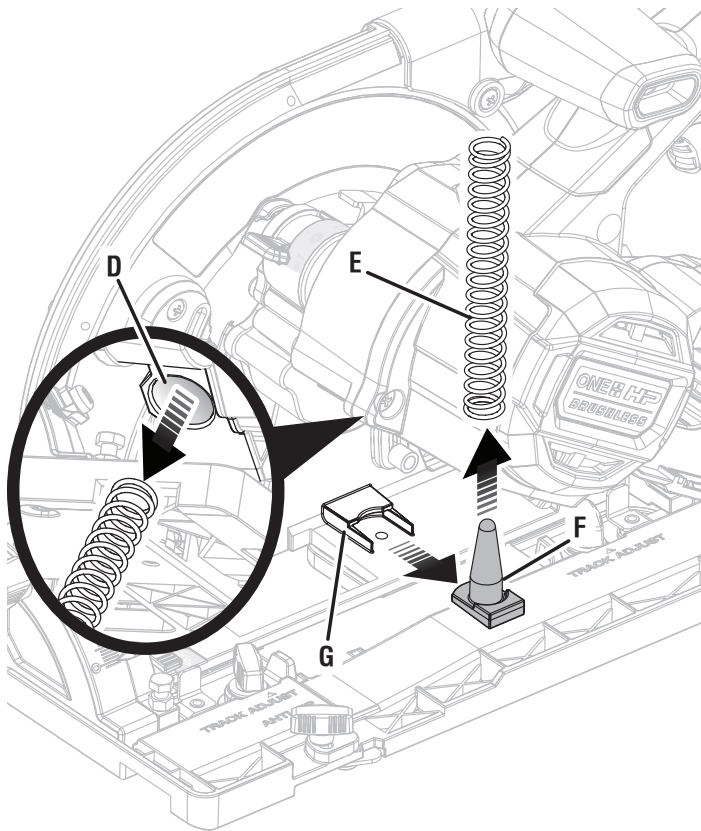
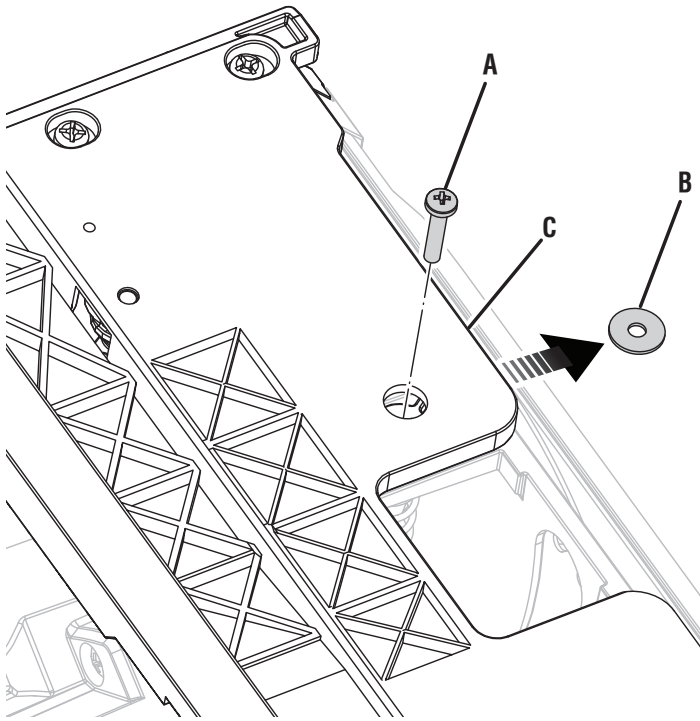
- A - Negative bypass tab (languette de contournement négative, solapa de desviación negativa)

**Fig. 39**

**POCKET CUT  
ÉVIDEMENT  
CORTE EN CAVIDAD**

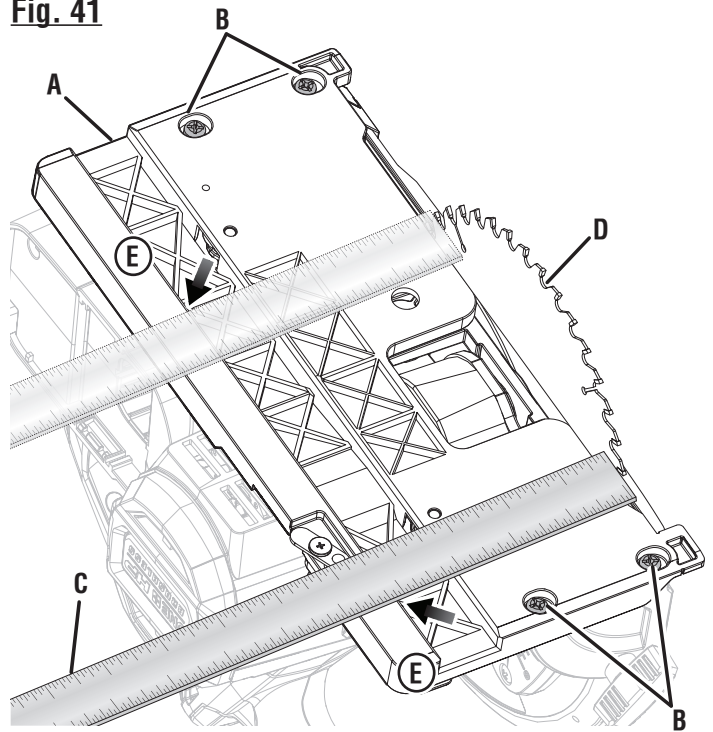


**Fig. 40**



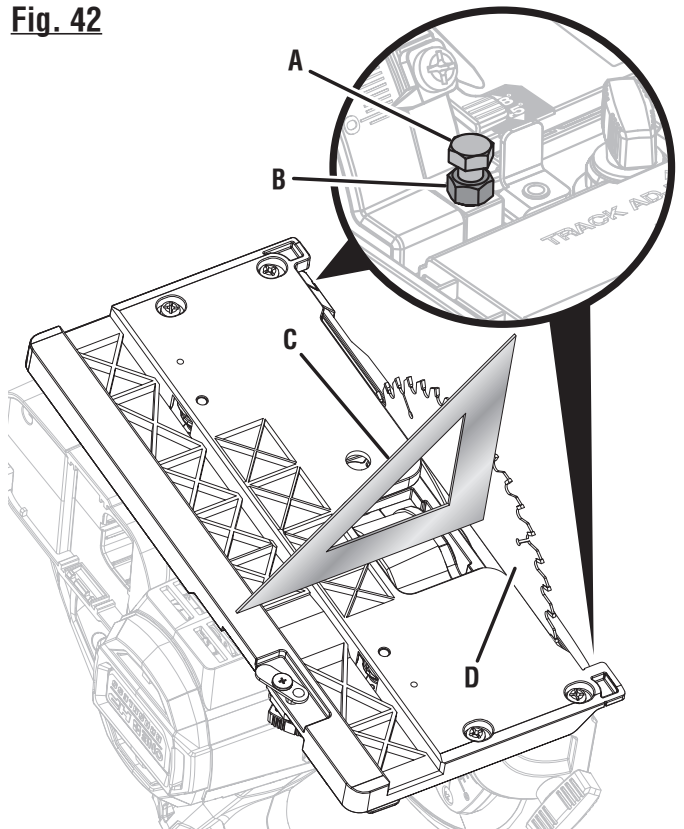
- A - Screw (vis, tornillo)  
B - Washer (rondelle, arandela)  
C - Hole in base (trou dans la base, agujero en la base)  
D - Opening (ouverture, abertura)  
E - Compression spring (ressort de compression, resorte de compresión)  
F - Spring cone (cone de ressort, cono de resorte)  
G - Bracket (support, placa)

**Fig. 41**



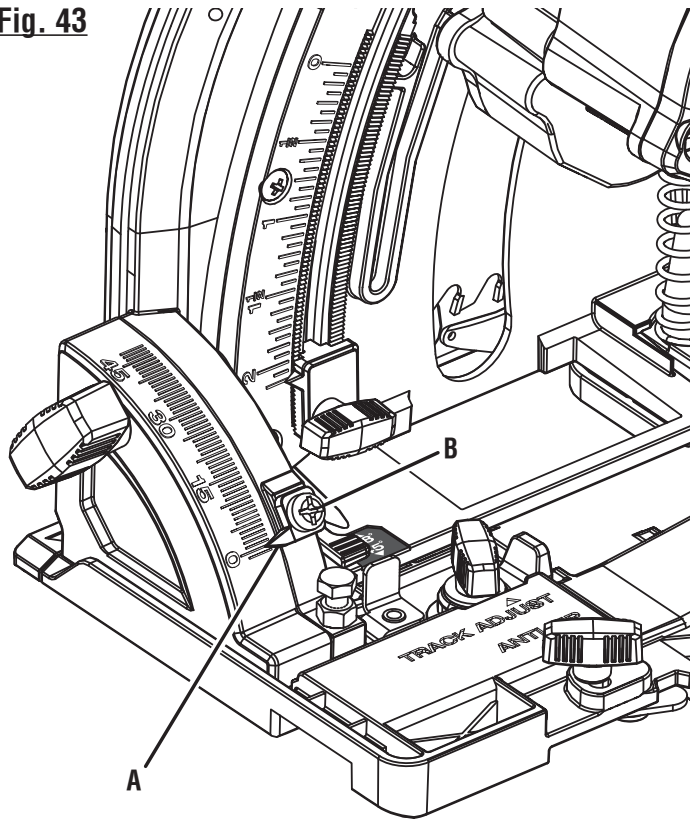
- A - Base (base, base)  
B - Screws (vis, tornillos)  
C - Ruler (règle, regla)  
D - Cutting blade (lame de coupe, hoja de corte)  
E - Measure from this edge to blade (mesurer de ce bord à la lame, medir desde este borde hasta la hoja)

**Fig. 42**



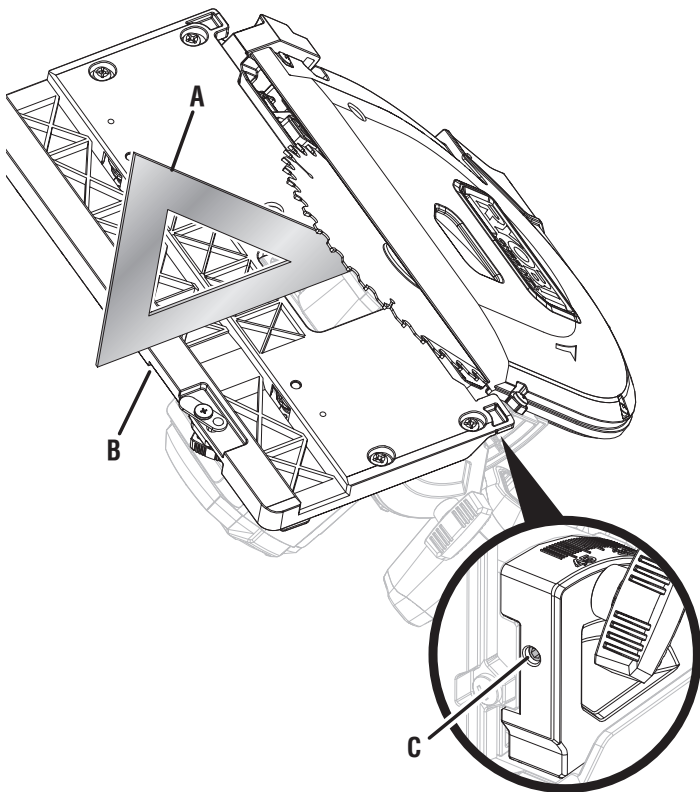
- A - Adjustment screw (vis de réglage, tornillo de ajuste)  
B - Hex nut (écrous à six pans, tuerca hexagonale)  
C - Square (équerre, escuadra)  
D - Cutting blade (lame de coupe, hoja de corte)

**Fig. 43**



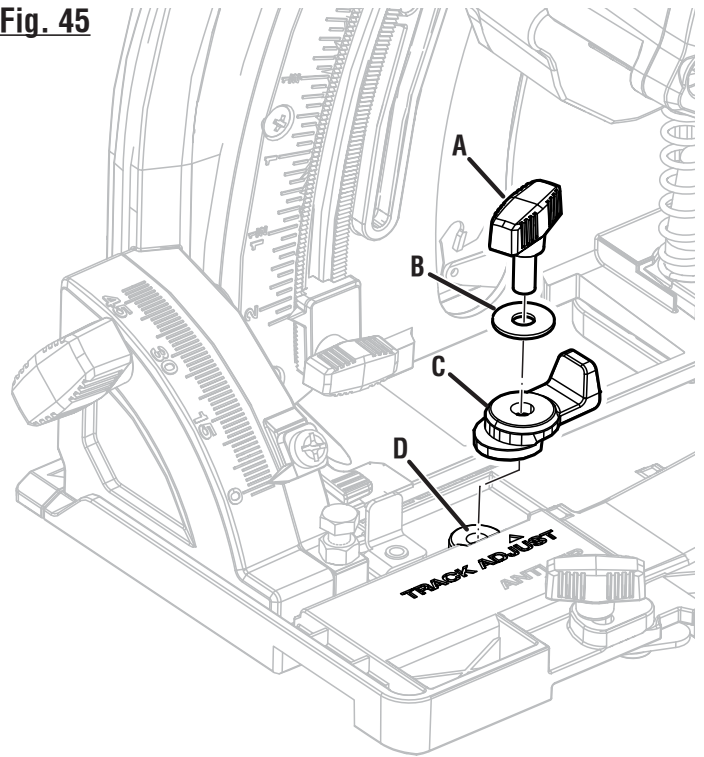
- A - Bevel indicator (indicateur de biseau, indicador de bisel)  
B - Screw (vis, tornillo)

**Fig. 44**



- A - Square (équerre, escuadra)  
B - Base (base, base)  
C - Set screw (vis d'arrêt, tornillo fijador)

**Fig. 45**



- A - Lock knob (bouton de verrouillage, perilla de fijación)  
B - Washer (rondelle, arandela)  
C - Track adjustment tab (languette d'ajustement du rail, solapa de ajuste de riel)  
D - Hole in base (trou dans la base, agujero en la base)



**OPERATOR'S MANUAL / BRUSHLESS 6-1/2 in. TRACK SAW**  
**MANUEL D'UTILISATION / SCIE À RAIL SANS BALAI DE 16,51 cm (6-1/2 po)**  
**MANUAL DEL OPERADOR / SIERRA DE RIEL SIN ESCOBILLAS DE 16,51 cm (6-1/2 pulg.)**  
**PTS01**

- **PARTS AND SERVICE:** Prior to requesting service or purchasing replacement parts, please obtain your item, manufacturing, and serial numbers from the product data plate.

**ITEM NO.\*** \_\_\_\_\_ **MANUFACTURING NO.** \_\_\_\_\_  
**SERIAL NO.** \_\_\_\_\_

*\* Model/item number on product may have additional letters at the end. These letters designate manufacturing information and should be provided when calling for service.*

**HOW TO OBTAIN REPLACEMENT PARTS:** Replacement parts can be purchased online at [www.ryobitools.com](http://www.ryobitools.com) or by calling 1-800-525-2579. Replacement parts can also be obtained at one of our service centers.

**HOW TO LOCATE A SERVICE CENTER:** Service centers can be located online at [www.ryobitools.com](http://www.ryobitools.com) or by calling 1-800-525-2579.

**HOW TO OBTAIN CUSTOMER OR TECHNICAL SUPPORT:** To obtain customer or technical support please contact us at 1-800-525-2579.

RYOBI is a registered trademark of Ryobi Limited and is used pursuant to a license granted by Ryobi Limited.

- **PIÈCES ET SERVICE :** Avant de faire la demande de service ou l'achat de pièces de remplacement, veuillez obtenir le numéro d'article, le numéro de fabrication et le numéro de série à partir de la plaque de données du produit.

**NUMÉRO D'ARTICLE\*** \_\_\_\_\_ **NUMÉRO DE FABRICATION** \_\_\_\_\_  
**NUMÉRO DE SÉRIE** \_\_\_\_\_

*\* Le numéro de modèle/article sur le produit peut contenir des lettres supplémentaires à la fin. Ces lettres désignent les informations du fabricant et doivent être fournies lors d'un appel de demande de service.*

**COMMENT OBTENIR LES PIÈCES DE REMPLACEMENT :** Les pièces de remplacement peuvent être achetées en ligne sur le site [www.ryobitools.com](http://www.ryobitools.com) ou par téléphone au 1-800-525-2579. Les pièces de remplacement peuvent être obtenues à un de nos centres de service.

**COMMENT TROUVER UN CENTRE DE SERVICE :** Les centres de service peuvent être localisés en ligne au [www.ryobitools.com](http://www.ryobitools.com) ou en téléphonant au 1-800-525-2579.

**COMMENT OBTENIR DE L'AIDE EN CONTACTANT LE SERVICE À LA CLIENTÈLE :** Pour contacter le service à la clientèle pour une question technique ou pour tout autre renseignement, veuillez nous téléphoner au 1-800-525-2579.

RYOBI est une marque déposée de Ryobi Limited et est utilisée en vertu d'une licence accordée par Ryobi Limited.

- **PIEZAS DE REPUESTO Y SERVICIO:** Antes de solicitar servicio técnico o comprar piezas de repuesto, obtenga su número de artículo, el número de fabricación y el número de serie de la placa de datos del producto.

**NÚMERO DE ARTÍCULO\*** \_\_\_\_\_ **NÚMERO DE FABRICACIÓN** \_\_\_\_\_  
**NÚMERO DE SERIE** \_\_\_\_\_

*\* El número de modelo/artículo que figura en el producto podría tener letras adicionales al final. Estas designan información de fabricación y deben suministrarse cuando llame para obtener asistencia o servicio.*

**CÓMO OBTENER PIEZAS DE REPUESTO:** Las piezas de repuesto se pueden comprar en nuestro sitio en la red mundial, en la dirección [www.ryobitools.com](http://www.ryobitools.com) o llamando al 1-800-525-2579. Las piezas de repuesto también se pueden obtener en uno de nuestros centros de servicio.

**CÓMO LOCALIZAR UN CENTRO DE SERVICIO:** Puede encontrar los centros de servicio visitando nuestro sitio en la red mundial, en la dirección [www.ryobitools.com](http://www.ryobitools.com) or by calling 1-800-525-2579.

**CÓMO OBTENER SERVICIO O ASISTENCIA TÉCNICA AL CONSUMIDOR:** Para obtener servicio o asistencia técnica al consumidor, sírvase comunicarse con nosotros llamando al 1-800-525-2579.

RYOBI es una marca registrada de Ryobi Limited y se utiliza conforme a una licencia otorgada por Ryobi Limited.

**TTI CONSUMER POWER TOOLS, INC.**

P.O. Box 1288, Anderson, SC 29622, USA

1-800-525-2579 • [www.ryobitools.com](http://www.ryobitools.com)

998000867

1-24-22 (REV:01)