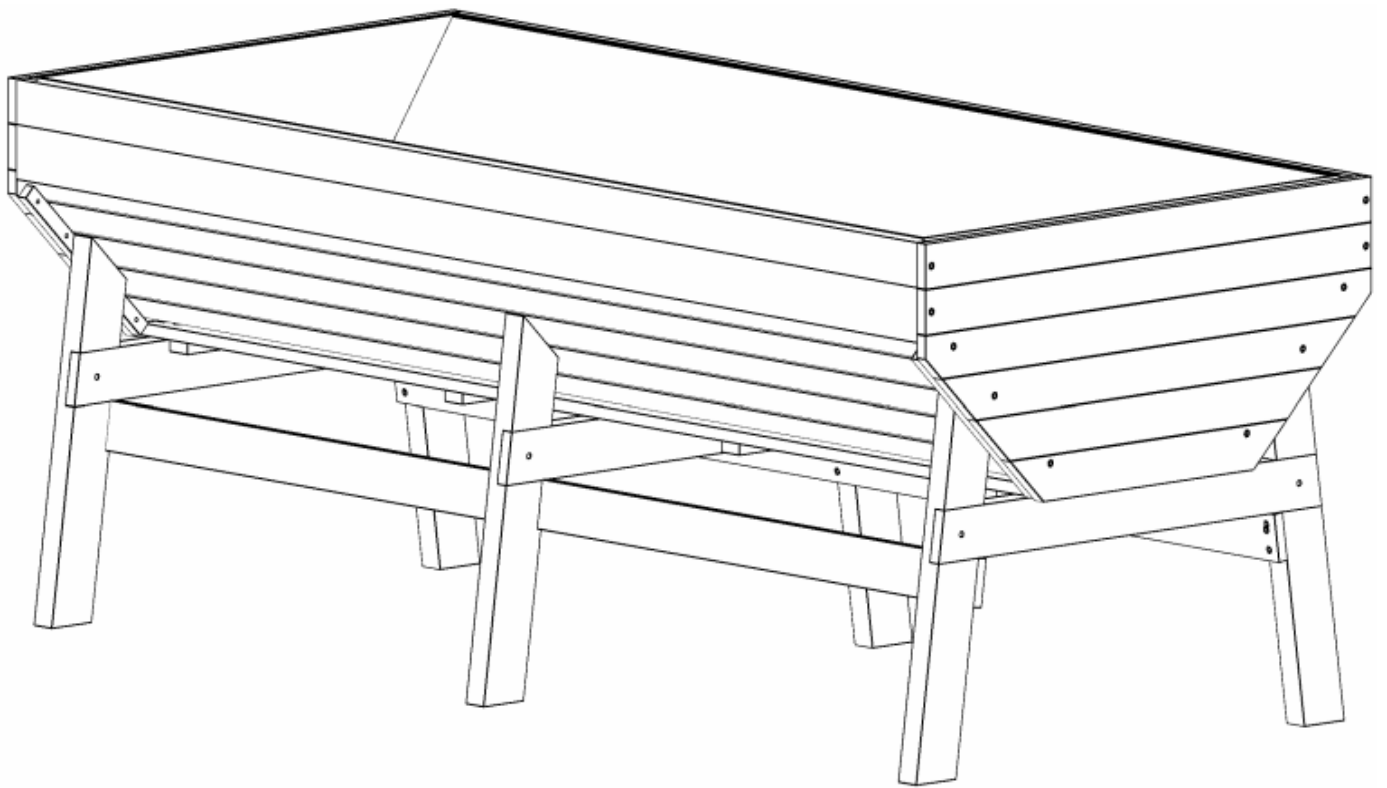




VEIKOUS



www.veikous.com



customerservice@veikous.com



STOP

Missing Parts, Questions on Assembly?

Email me: customerservice@Veikous.com.

Do not return to dealer they are not
equipped to handle your requests.

We will reply to you within 1 business day.

Care And Warning

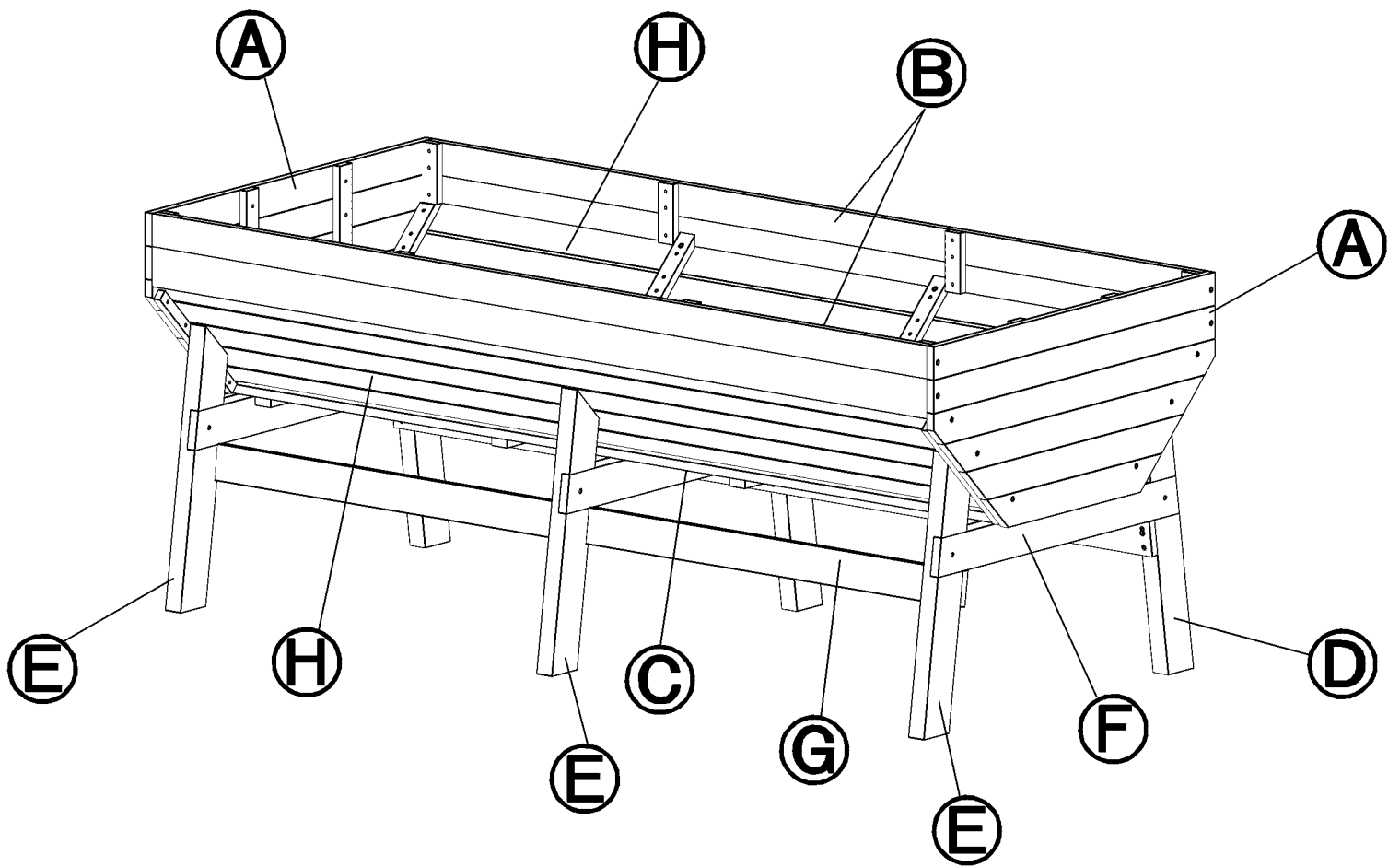
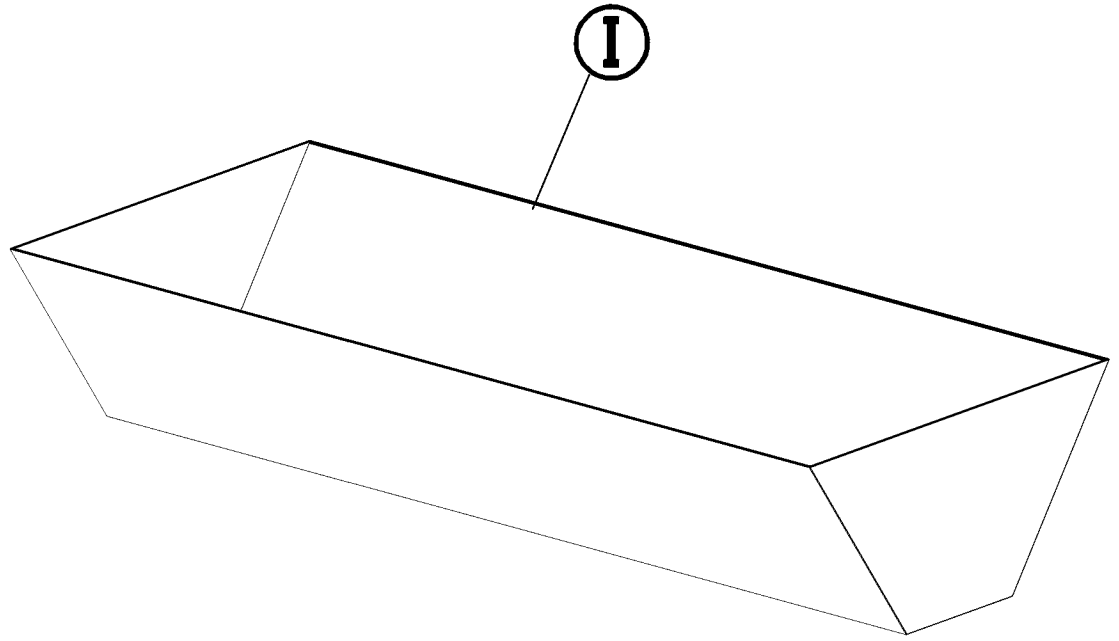
Do not use this product in extreme weather.

It will cause product damaged directly or shorten product service time drastically in extreme weather.


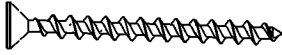
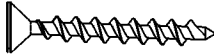

Bolts can loosen over time. Be sure to check bolts occasionally, tightening at least twice a year.

Check all screws for tightness before and during usage of the unit.

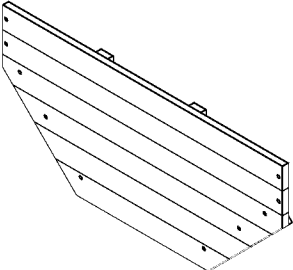

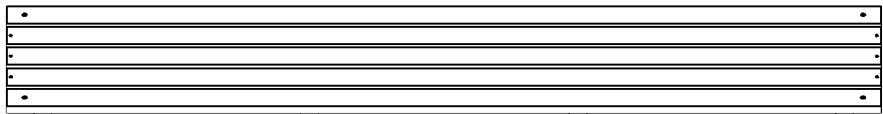
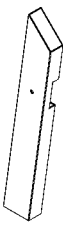

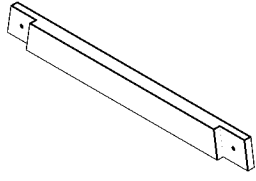

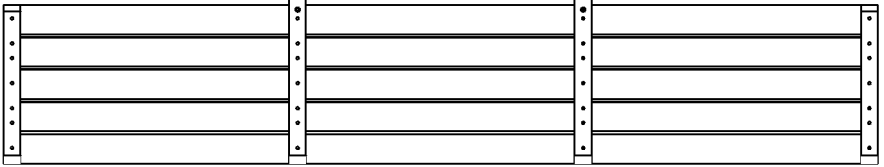
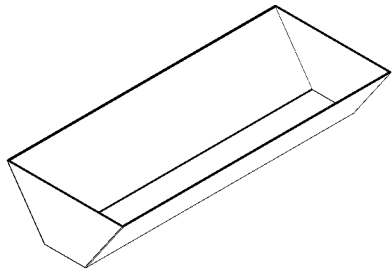
Minimum of 2 people is required for a safe assembly of the product.



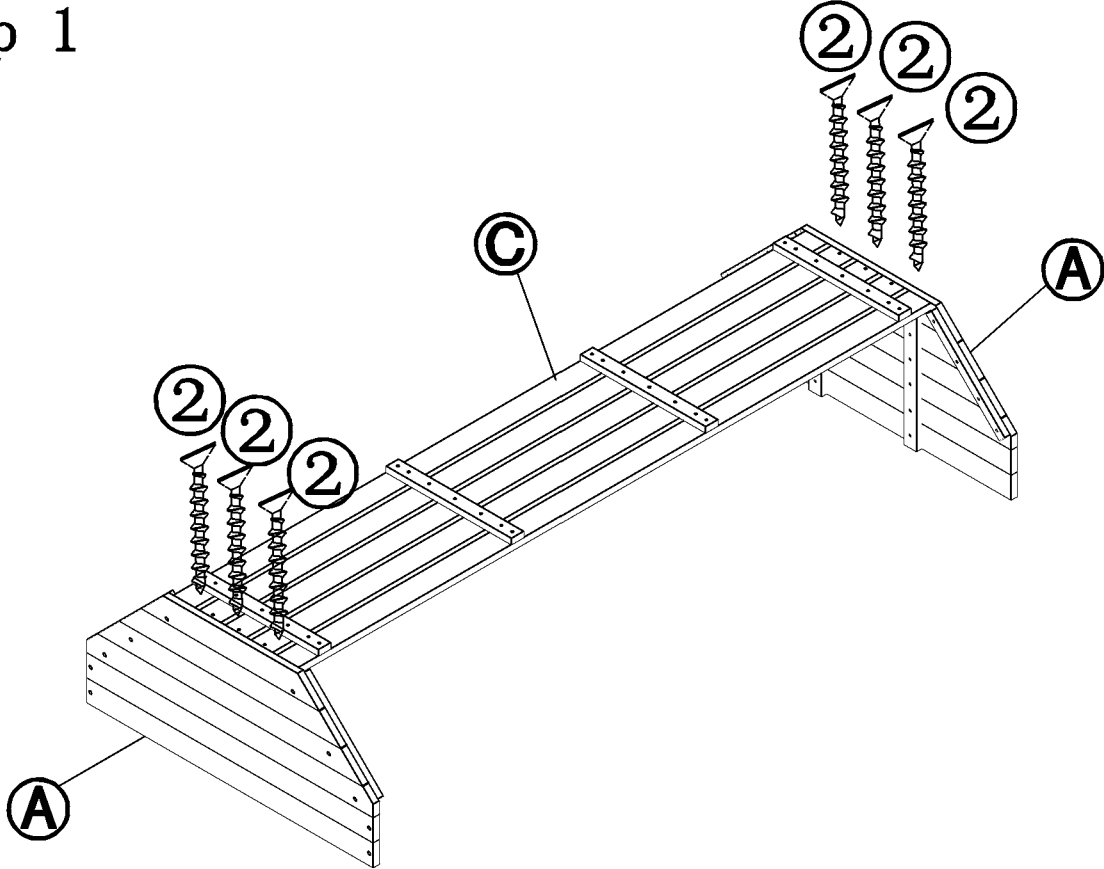
SPARE PART

 <p>① M6 x 45mm - 6Pieces</p>	 <p>② M3.5 x 45mm - 48Pieces</p>	 <p>③ M3.5 * 25mm - 4Pieces</p>
 <p>④ 14Pieces</p>		

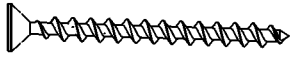
PART

<p>Ⓐ x 2 Pieces</p> 	<p>Ⓑ x 2 Pieces</p> 	
<p>Ⓒ x 1 Piece</p> 		
<p>Ⓓ x 3 Pieces</p> 	<p>Ⓔ x 3 Pieces</p> 	<p>Ⓕ x 3 Pieces</p> 
<p>Ⓖ x 2 Pieces</p> 		
<p>Ⓗ x 2 Pieces</p> 	<p>Ⓘ x 1 Piece</p> 	

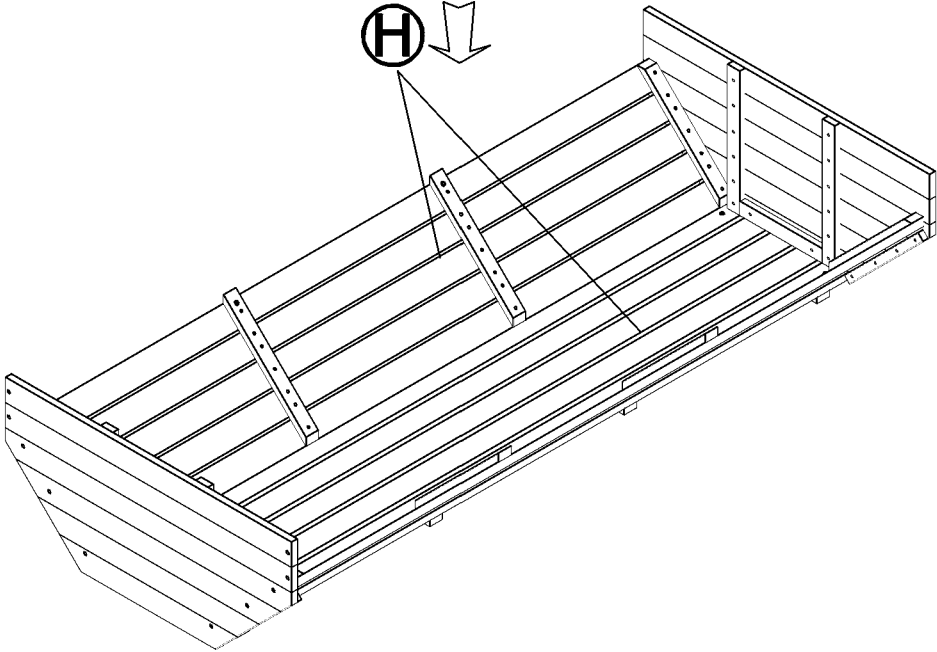
Step 1



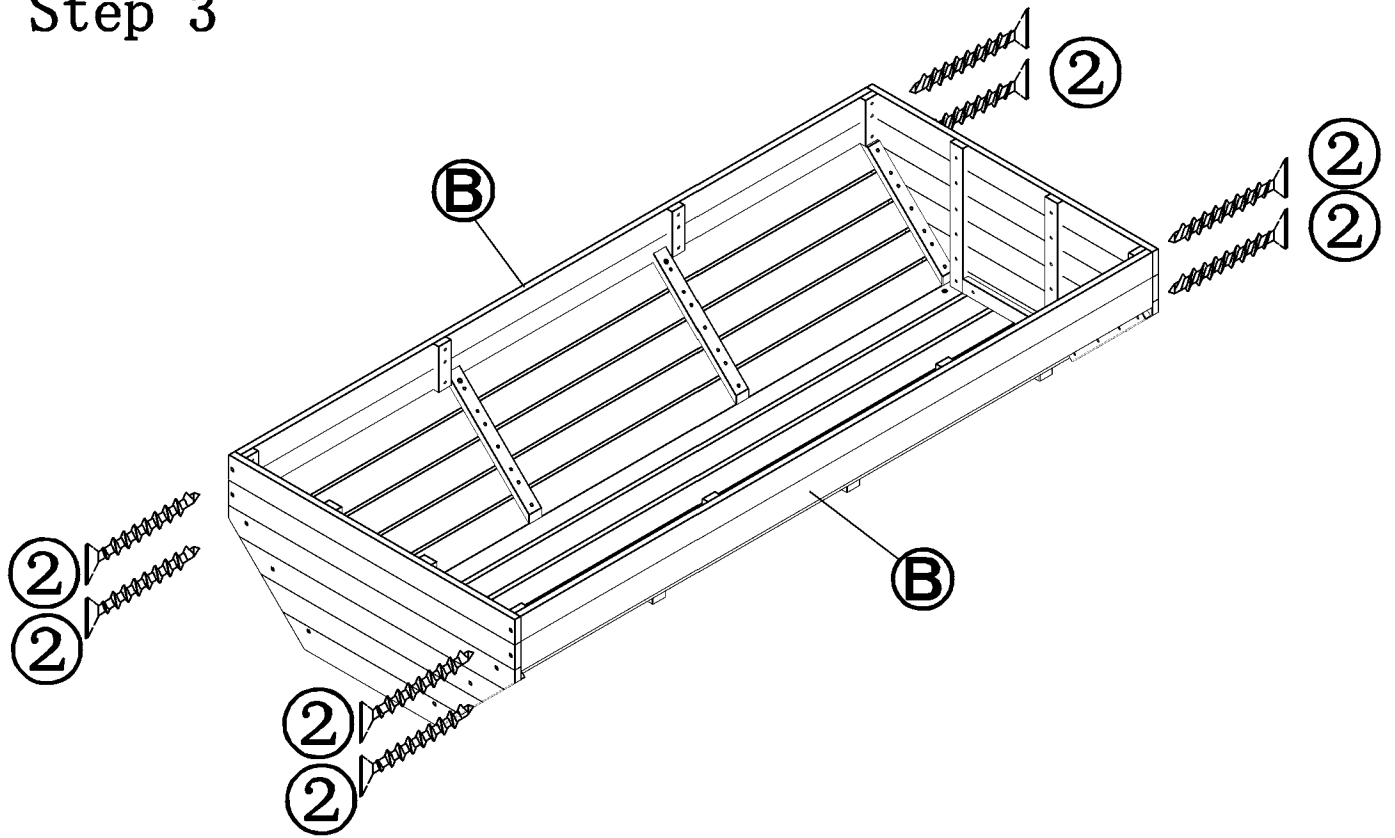
② M3.5 x 45mm - 6Pieces



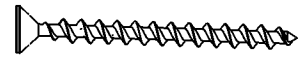
Step 2



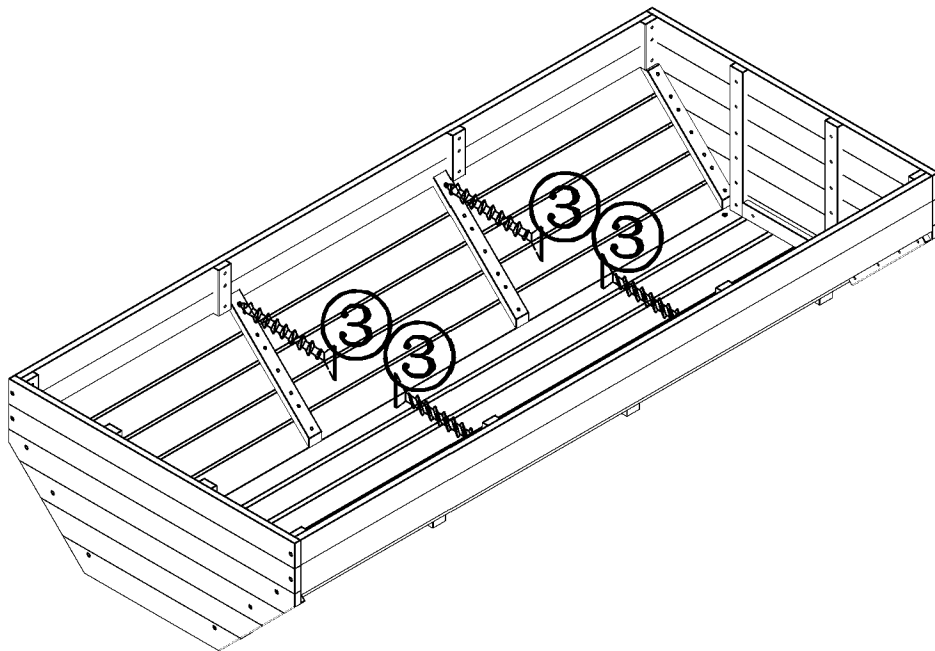
Step 3



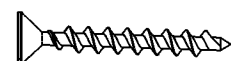
② M3.5 x 45mm - 8Pieces



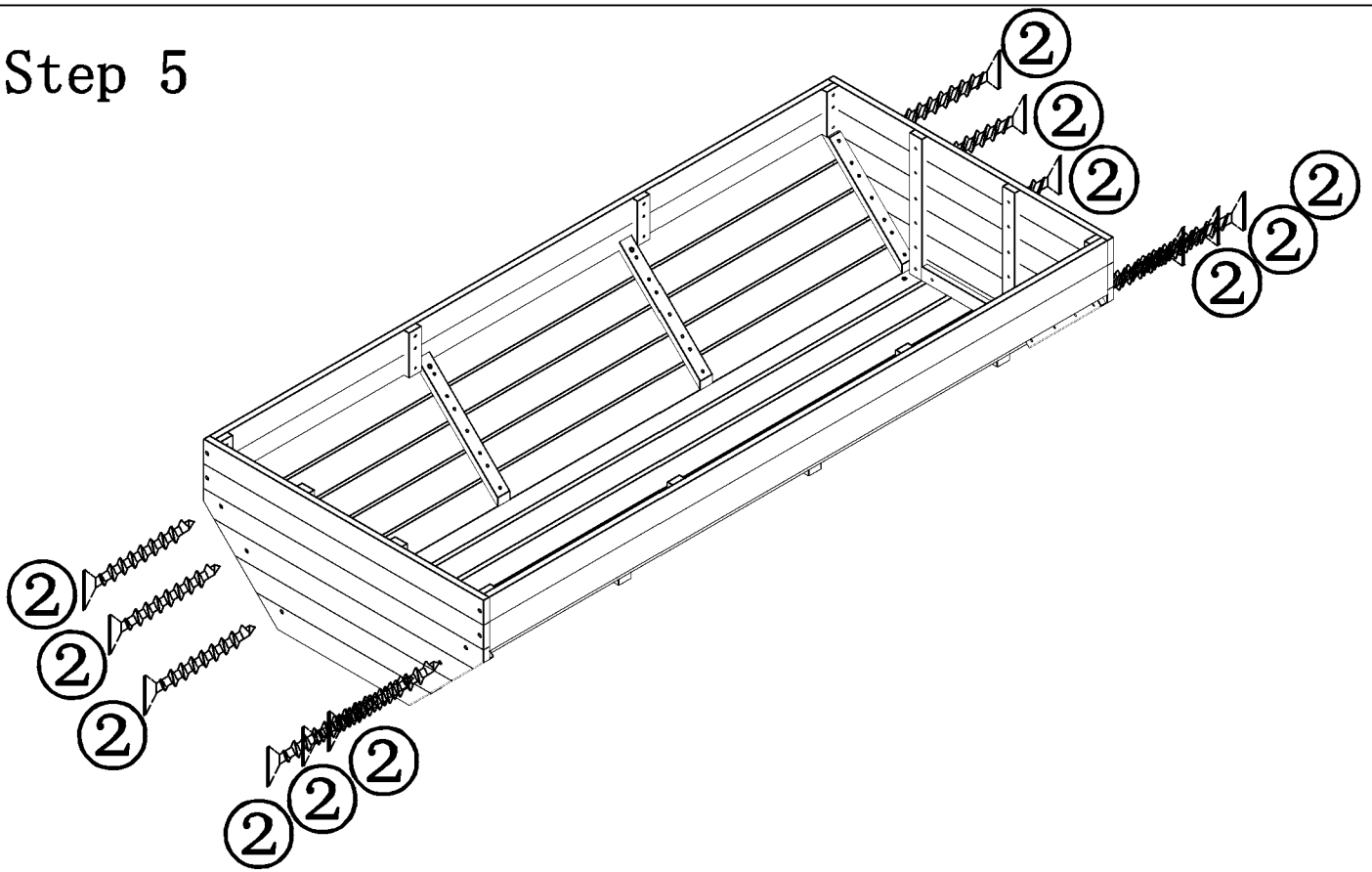
Step 4



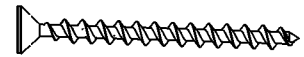
③ M3.5 x 25mm - 4Pieces



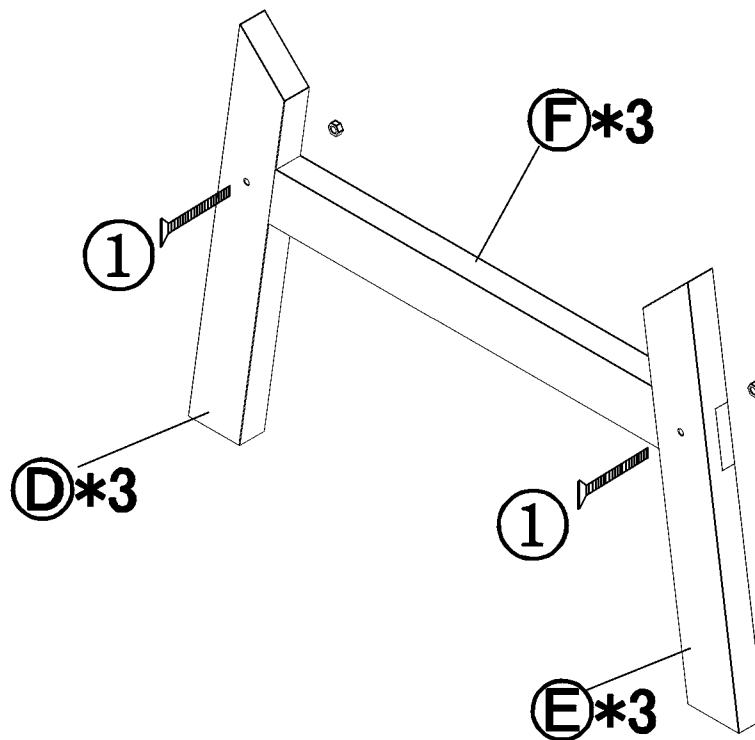
Step 5



② M3.5 x 45mm - 12Pieces



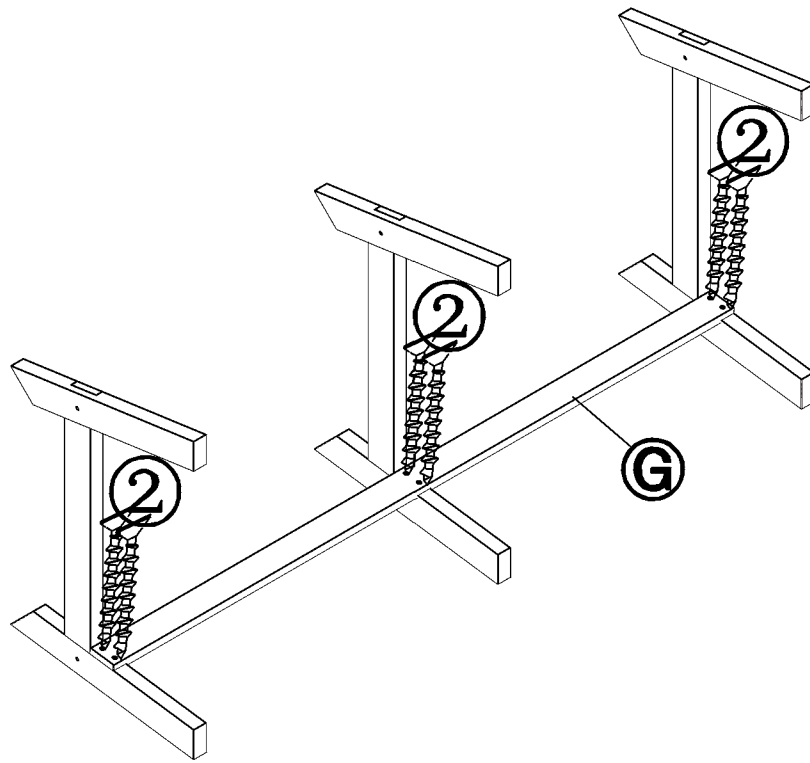
Step 6



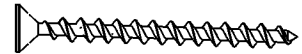
① M6 x 45mm - 6Pieces



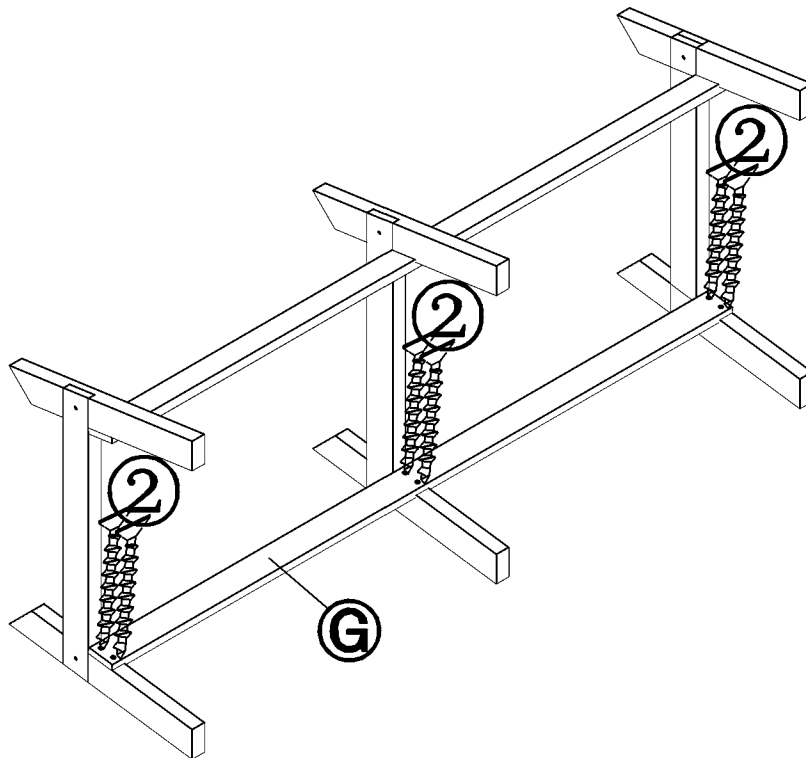
Step 7



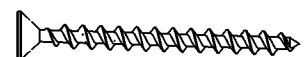
② M3.5 x 45mm - 6Pieces



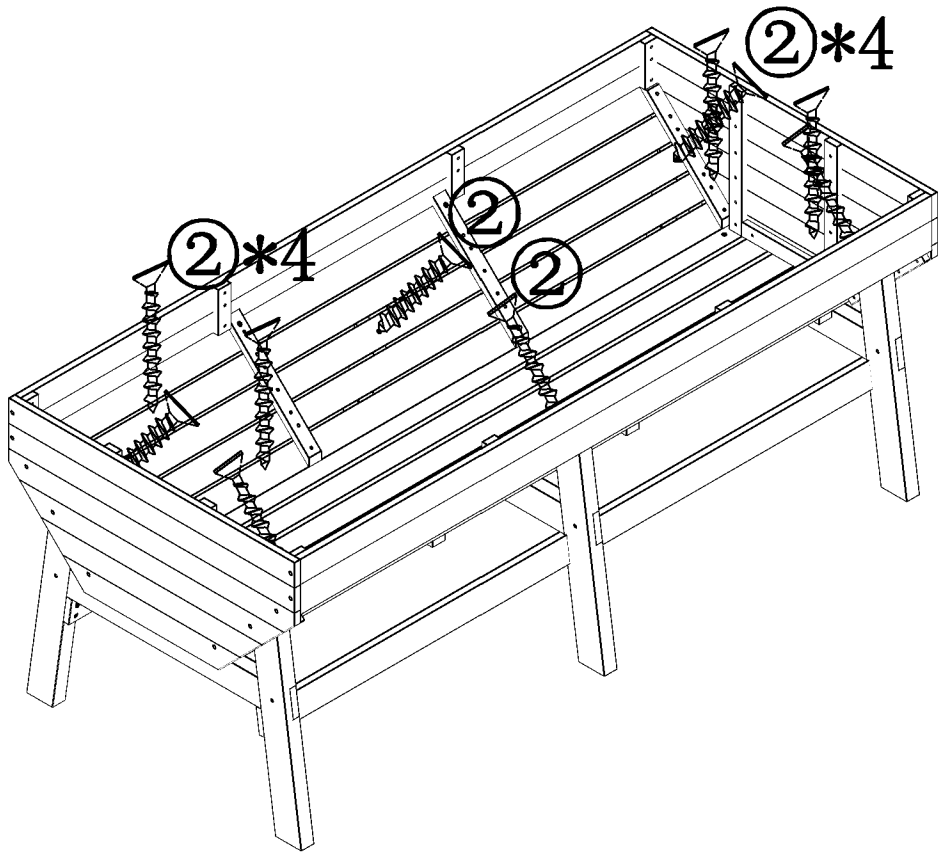
Step 8



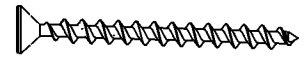
② M3.5 x 45mm - 6Pieces



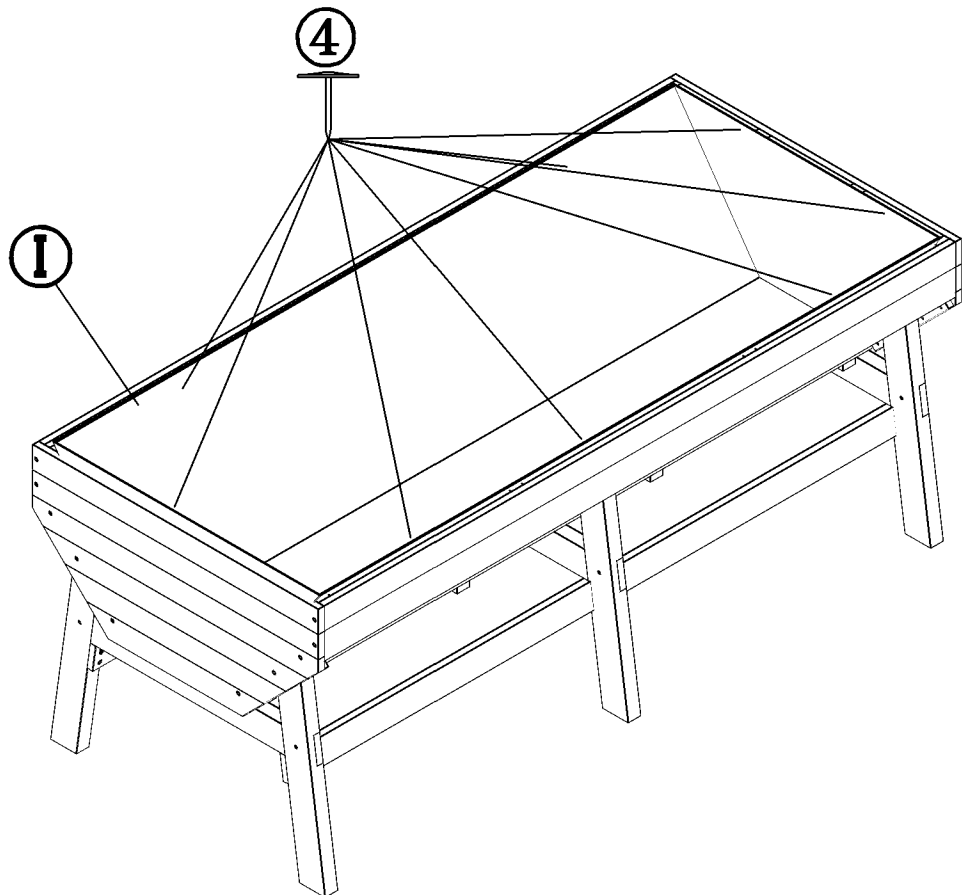
Step 9



② M3.5 x 45mm - 10Pieces



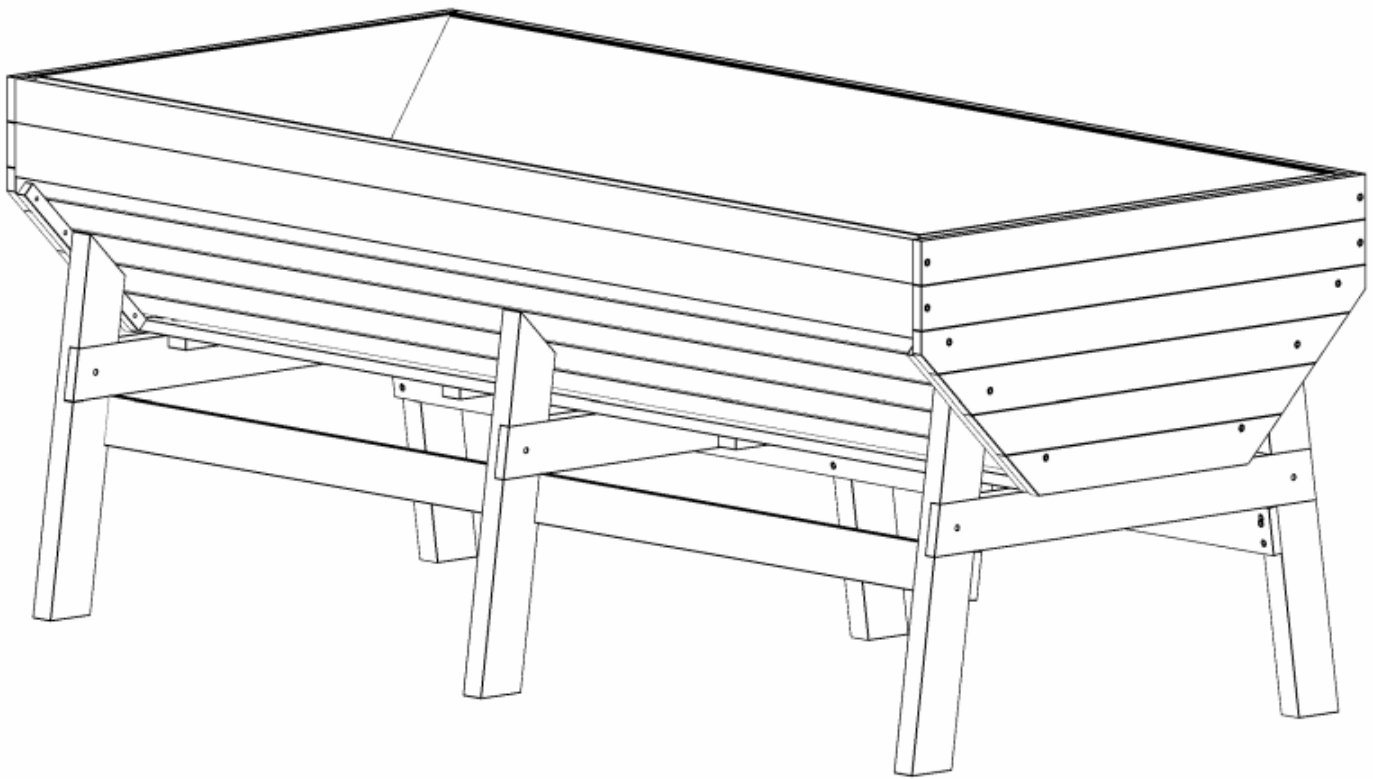
Step 10



④ 

14Pieces

ENJOY YOUR PRODUCT!



! WARNING

Manufacturer and seller expressly disclaim any and all liability for personal injury, property damage or loss, whether direct, indirect, or incidental, resulting from the incorrect attachment, improper use, inadequate maintenance, or neglect of this product.