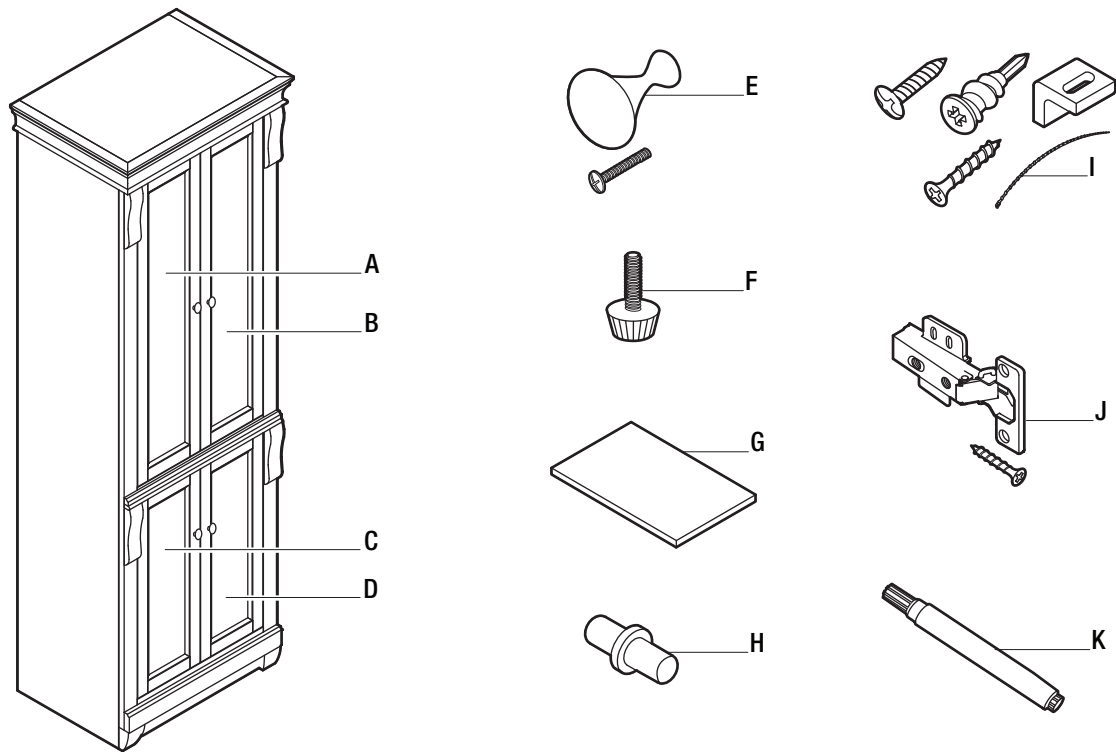


REPLACEMENT PARTS LIST

NAPLES LINEN CABINET



Please use the table below to identify the part number needed, and call FGI Industries, Ltd. Customer Service for your replacement at **888-620-3667**. Our team is available to assist you Monday - Friday, 7:00 A.M. - 5:00 P.M. (CST).

| Part | Description | Part # |
|------|---|--------------------|
| A | Upper Left Door | PB-NAWL2474-ULD |
| B | Upper Right Door | PB-NAWL2474-URD |
| C | Lower Left Door | PB-NAWL2474-LLD |
| D | Lower Right Door | PB-NAWL2474-LRD |
| E | Knob (1 knob; 1 screw) | PB-KNOB-LS038 |
| F | Foot Cap | PB-FOOTCAP-JD008 |
| G | Shelf | PB-NAWL2474-SHELF |
| H | Shelf Pin | PB-SHELFPIN-CT001 |
| I | Anti-Tip Hardware Kit (anchor, short screw, long screw, bracket, tie) | PB-FD001-ANTI-TILT |
| J | Slow Close Hinge (1 hinge; 6 screws) | PB-SC HINGE-HY006 |
| K | Touch Up Pen | PB-TUKIT008 |