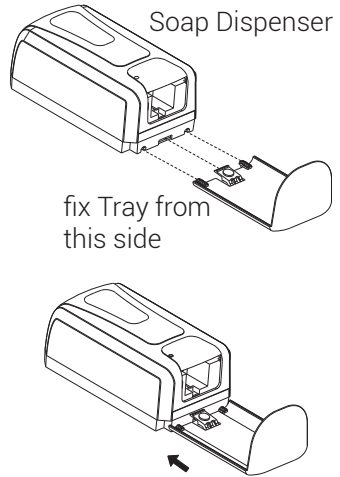
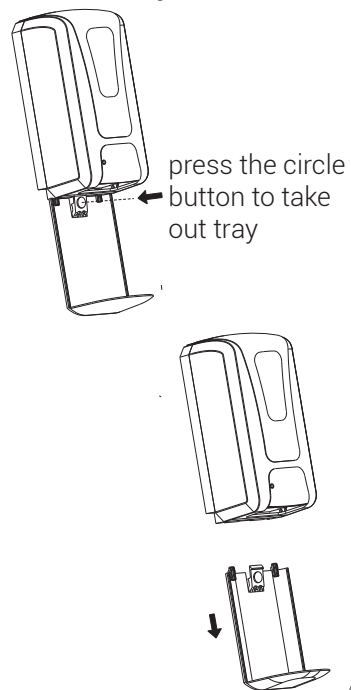


**Installation**

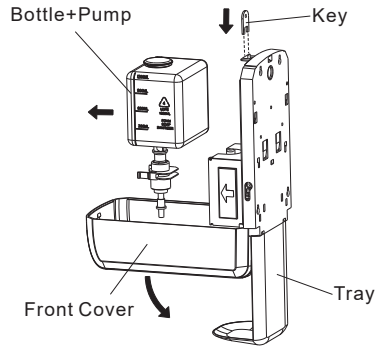


**Take out Tray**



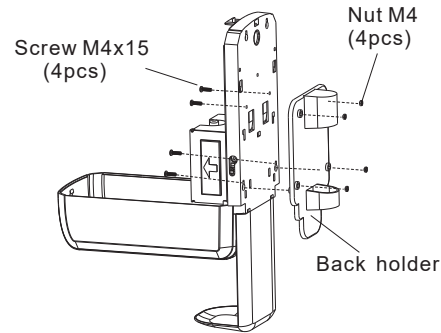
**STEP 1**

Open it with key, take out the bottle and pump



**STEP 2**

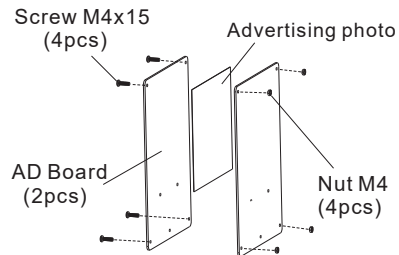
Install the back holder with dispenser



**Install Back Holder**

**STEP 3**

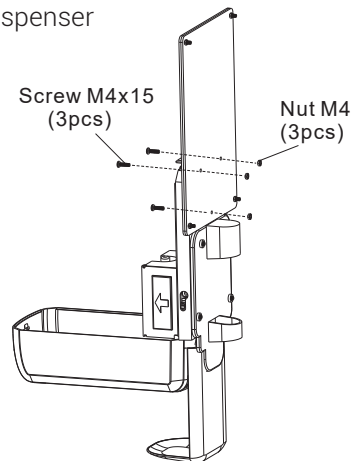
Put Advertising photo inside of 2 pcs AD board



\* Advertising photo size: 18x 18cm

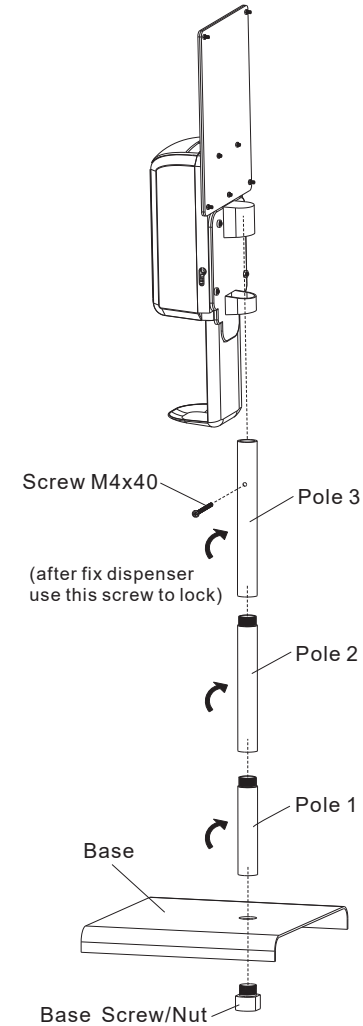
**STEP 4**

Install the AD Board on dispenser



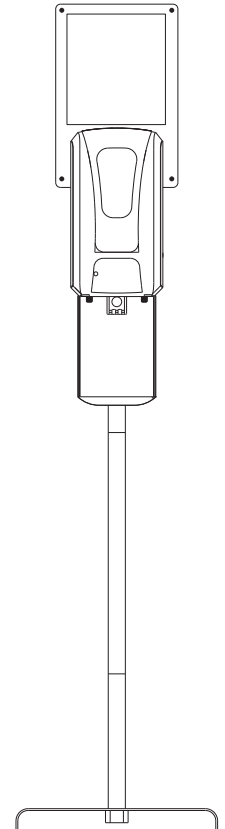
**Install AD Board (If Needed)**

**STEP 5**



**Install Pole and Base**

**STEP 6**



\* fix 4 pcs C size batteries, fill liquid and turn on the switch. enjoy your health hand sanitizing.

**Enjoy hand sanitizing**