

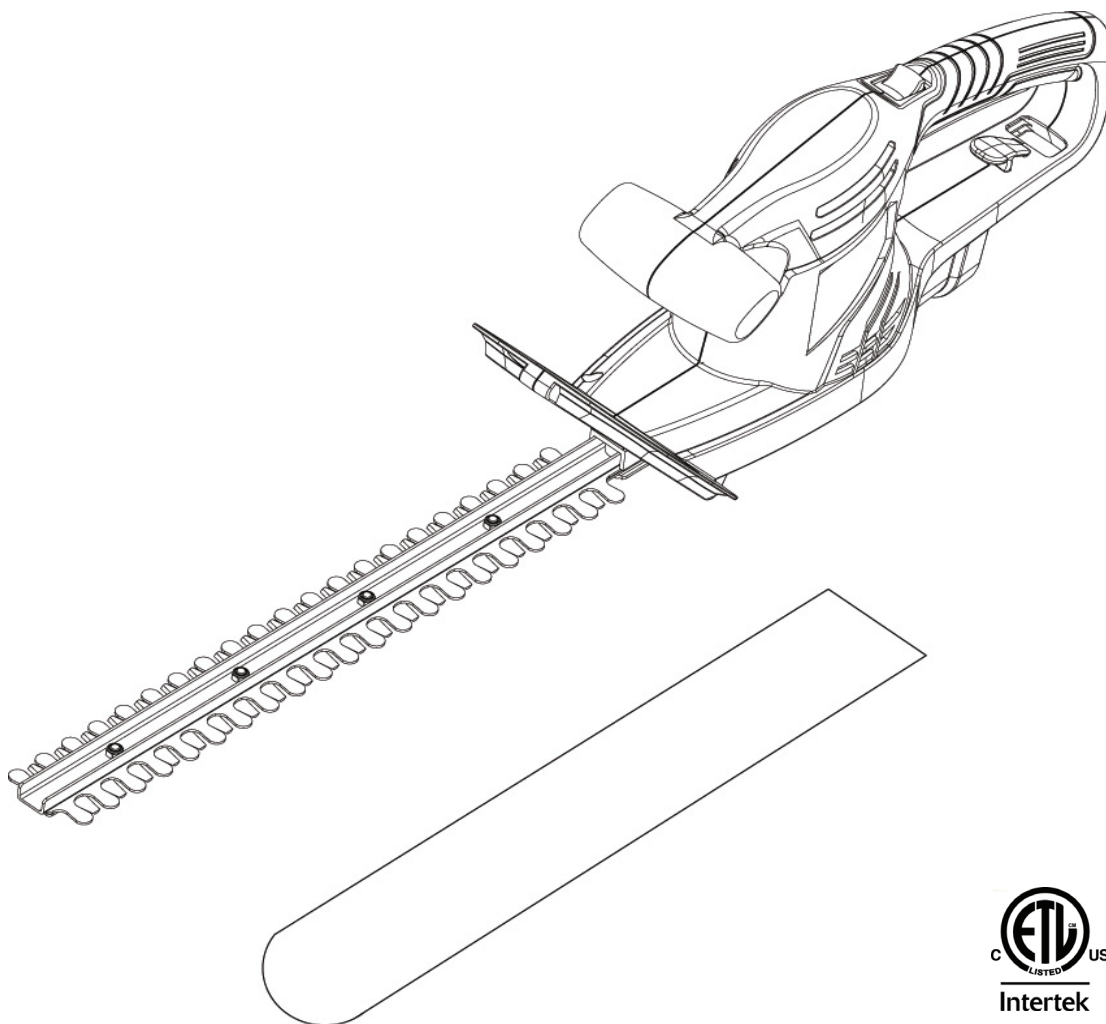


OWNER'S MANUAL

ELECTRIC HEDGE TRIMMER

Copyright. All Rights Reserved.

MODEL HT10117



3120341

Your hedge trimmer has been engineered and manufactured to our high standard for dependability, ease of operation, and operator safety. Properly cared for, it will give you years of rugged, trouble-free performance.



WARNING: To reduce the risk of injury, the user must read and understand the owner's manual before using this product.

Thank you for your purchase.

DO NOT RETURN THIS PRODUCT TO THE STORE. OPERATING, ASSEMBLY, PARTS, SERVICE QUESTIONS? GO TO WWW.AMERICANLAWNMOWER.COM OR CALL 1-800-313-5111 BETWEEN 8:00 AM—5:00 PM EST FOR ASSISTANCE.

SAVE THIS MANUAL FOR FUTURE REFERENCE



IMPORTANT SAFETY WARNINGS



GENERAL POWER TOOL SAFETY WARNINGS

⚠ WARNING: Read all safety warnings and instructions. Failure to follow the warnings and instructions may result in electric shock, fire and/or serious injury.

Save all warnings and instructions for future reference. The term "power tool" in the warnings refers to your mains-operated (corded) power tool or battery-operated (cordless) power tool.

Work area safety

- **Keep work area clean and well lit.** Cluttered or dark areas invite accidents.
- **Do not operate power tools in explosive atmospheres, such as in the presence of flammable liquids, gases or dust.** Power tools create sparks which may ignite the dust or fumes.
- **Keep children and bystanders away while operating a power tool.** Distractions can cause you to lose control.

Electrical safety

- **Power tool plugs must match the outlet. Never modify the plug in any way. Do not use any adapter plugs with earthed (grounded) power tools.** Unmodified plugs and matching outlets will reduce risk of electric shock.
- **Avoid body contact with earthed or grounded surfaces such as pipes, radiators, ranges and refrigerators.** There is an increased risk of electric shock if your body is earthed or grounded.
- **Do not expose power tools to rain or wet conditions.** Water entering a power tool will increase the risk of electric shock.
- **Do not abuse the cord. Never use the cord for carrying, pulling or unplugging the power tool. Keep cord away from heat, oil, sharp edges or moving parts.** Damaged or entangled cords increase the risk of electric shock.
- **When operating a power tool outdoors, use an extension cord suitable for outdoor use.** Use of a cord suitable for outdoor use reduces the risk of electric shock.
- **If operating a power tool in a damp location is unavoidable, use a ground fault circuit interrupter (GFCI) protected supply.** Use of a GFCI reduces the risk of electric shock.

Personal safety

- **Stay alert, watch what you are doing and use common sense when operating a power tool. Do not use a power tool while you are tired or under the influence of drugs, alcohol or medication.** A moment of inattention while operating power tools may result in serious personal injury.
- **Use personal protective equipment. Always wear eye protection.** Protective equipment such as dust mask, non-skid safety shoes, hard hat, or hearing protection used for appropriate conditions will reduce the risk of personal injuries.
- **Prevent unintentional starting. Ensure the switch is in the off-position before connecting to power source and/or battery pack, picking up or carrying the tool.** Carrying power tools with your finger on the switch or energising power tools that have the switch on invites accidents.

- **Remove any adjusting key or wrench before turning the power tool on.** A wrench or a key left attached to a rotating part of the power tool may result in personal injury.
- **Do not overreach. Keep proper footing and balance at all times.** This enables better control of the power tool in unexpected situations.
- **Dress properly. Do not wear loose clothing or jewellery. Keep your hair, clothing and gloves away from moving parts.** Loose clothes, jewellery or long hair can be caught in moving parts.
- **If devices are provided for the connection of dust extraction and collection facilities, ensure these are connected and properly used.** Use of dust collection can reduce dust-related hazards.

Power tool use and care

- **Do not force the power tool. Use the correct power tool for your application.** The correct power tool will do the job better and safer at the rate for which it was designed.
- **Do not use the power tool if the switch does not turn it on and off.** Any power tool that cannot be controlled with the switch is dangerous and must be repaired.
- **Disconnect the plug from the power source and/or the battery pack from the power tool before making any adjustments, changing accessories, or storing power tools.** Such preventive safety measures reduce the risk of starting the power tool accidentally.
- **Store idle power tools out of the reach of children and do not allow persons unfamiliar with the power tool or these instructions to operate the power tool.** Power tools are dangerous in the hands of untrained users.
- **Maintain power tools. Check for misalignment or binding of moving parts, breakage of parts and any other condition that may affect the power tool's operation. If damaged, have the power tool repaired before use.** Many accidents are caused by poorly maintained power tools.
- **Keep cutting tools sharp and clean.** Properly maintained cutting tools with sharp cutting edges are less likely to bind and are easier to control.
- **Use the power tool, accessories and tool bits etc. in accordance with these instructions, taking into account the working conditions and the work to be performed.** Use of the power tool for operations different from those intended could result in a hazardous situation.

Service

- **Have your power tool serviced by a qualified repair person using only identical replacement parts.** This will ensure that the safety of the power tool is maintained.
- **When servicing a power tool, use only identical replacement parts. Follow instructions in the Maintenance section of this manual.** Use of unauthorized parts or failure to follow Maintenance instructions may create a risk of shock or injury.

HEDGE TRIMMER SAFETY WARNINGS

- **DANGER – Keep hands away from blade.** Contact with blade will result in serious personal injury.
- **Use both hands when operating the hedge trimmer. Using one hand could cause loss of control and result in serious personal injury.**
- **Keep all parts of the body away from the cutter blade. Do not remove cut material or hold material to be cut when blades are moving. Make sure the switch is off when clearing jammed material. Blades coast after turn off.** A moment of inattention while operating the hedge trimmer may result in serious personal injury.
- **Carry the hedge trimmer by the handle with the cutter blade stopped.** Proper handling of the hedge trimmer will reduce possible personal injury from the cutter blades.
- **Hold the power tool by insulated gripping surfaces only, because the cutter blade may contact hidden wiring or its own cord.** Cutter blades contacting a “live” wire may make exposed metal parts of the power tool “live” and could give the operator an electric shock.
- **Keep cable away from cutting area.** During operation the cable may be hidden in shrubs and can be accidentally cut by the blade.

⚠ WARNING – Only use with handle and guard properly assembled to hedge trimmer. The use of the hedge trimmer without the proper guard or handle provided may result in serious personal injury.

EXTENSION CORD. Make sure your extension cord is in good condition. When using an extension cord, be sure it is heavy enough to carry the current your product will draw. An undersized extension cord will cause a drop in line voltage resulting in loss of power and overheating. The following table shows the correct size to use depending on cord length and nameplate ampere rating. If in doubt, use the next heavier gage. The smaller the gage number, the heavier the cord.

Minimum Gage for Cord Sets						
Volts		Total Length of cord in Feet				
120V		0-25	26-50	51-100	101-150	
Ampere Rating		American wire Gage				
More Than	Not More Than					
0	- 6	18	16	16	14	
6	- 10	18	16	14	12	
10	- 12	16	16	14	12	
12	- 16	14	12	Not Recommended		

⚠ WARNING: Use out door extension cords marked SW-A, SOW-A, STW-A, SJW-A, or SJTW-A. These cords are rated for outdoor use and reduce the risk of electric shock.

DOUBLE INSULATION—Double Insulation is a concept in safety in electric power tools, which eliminates the need for the usual three-wire grounded power cord. All exposed metal parts are isolated from the internal metal motor components with protecting insulation. Double insulated tools do not need to be grounded.

NOTE: The double insulated system is intended to protect the user from shock resulting from a break in the tool's internal insulation. Observe all normal safety precautions to avoid electrical shock.

It is possible to tie the extension cord and power cord in a knot to prevent them from becoming disconnected during use. Make the knot as shown, then connect the plug end of the power cord into the receptacle end of the extension cord. This method can also be used to tie two extension cords together.



POLARIZED PLUGS—To reduce the risk of electric shock, this equipment has a polarized plug (one blade is wider than the other). This equipment must be used with a suitable polarized 2 wire or 3 wire extension cord. Polarized connections will fit together only one way. Make sure that the receptacle end of the extension cord has large and small blade slot widths. If the plug does not fit fully into the extension cord, reverse the plug. If it still does not fit obtain a suitable extension cord. If the extension cord does not fit fully into the outlet, contact a qualified electrician to install the proper outlet. Do not change the tool plug or extension cord in any way.

CHECK DAMAGED PARTS – Before further use of the hedge trimmer, a guard or other part that is damaged should be carefully checked to determine that it will operate properly and perform its intended function. Check for alignment of moving parts, binding of moving parts, breakage of parts, mounting and any other condition that may affect its operation. A guard or other part that is damaged should be properly repaired or replaced. Call our customer service help line at 1-800-313-5111 for assistance.

⚠ WARNING: California Proposition 65: This product contains chemicals known to the State of California to cause cancer, birth defects or other reproductive harm.

⚠ WARNING: Some dust and debris created by the use of this tool could contain chemicals known to the State of California to cause cancer and birth defects or other reproductive harm. Some examples of these chemicals are:

- * Chemicals in fertilizers
- * Compounds in insecticides, herbicides and pesticides
- * Arsenic and chromium from chemically treated lumber

Your risk from exposure to these chemicals varies, depending on how often you do this type of work. To reduce your exposure, work in a well-ventilated area and with approved safety equipment, such as dust masks that are specially designed to filter out microscopic particles.

⚠ WARNING: Cancer and Reproductive Harm - www.P65Warnings.ca.gov.

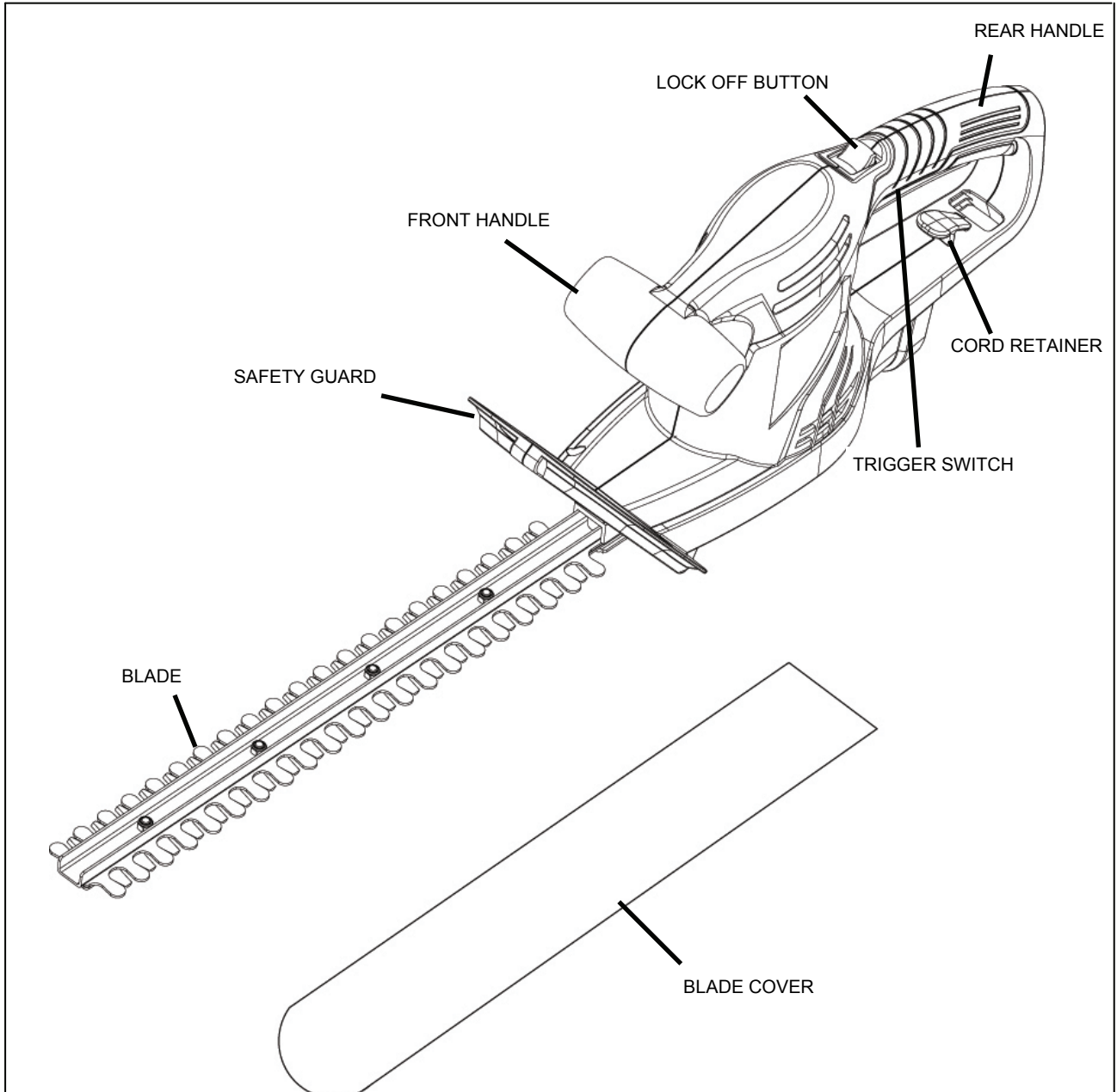
FEATURES

PRODUCT SPECIFICATIONS

HT10117

Input..... 120V, 60Hz, 2.8A, AC Only
Speed 3200 Strokes per Min.
Blade Length..... 17 in.
Maximum Cut..... 5/8 in.
Weight 4.74 lb (2.15 kg)

- Hardened Steel Blades



ASSEMBLY

UNPACKING

This product requires no assembly.

Carefully remove the product and any accessories from the box. Make sure that all items listed in the packing list are included.

Inspect the product carefully to make sure no breakage or damage occurred during shipping.

Do not discard the packing material until you have carefully inspected and satisfactorily operated the product.

PACKING LIST

Hedge Trimmer - Blade Cover - Owner's Manual

WARNING: If any parts are damaged or missing do not operate this product until the parts are replaced. Failure to heed this warning could result in serious personal injury.

If any parts are damaged or missing, please call 1-800-313-5111 for assistance.

OPERATING

TO TURN THE TOOL ON

Push the lock button backward with your thumb and then squeeze the trigger with your fingers. (Once the tool is running, you can release the lock button). To turn the tool OFF, release the trigger.

CAUTION: Blade coasts after turned off.
Do not use under wet conditions.
Do not store with switch locked on.

WARNING: To guard against injury, observe the following:

- Read owner's manual before using,
- Save owner's manual.
- Keep hands away from blades.
- Keep hands on handles. Don't overreach.

WARNING: Do not allow familiarity with this type of product to make you careless. Remember that a careless fraction of a second is sufficient to inflict serious injury.

TRIMMING INSTRUCTIONS

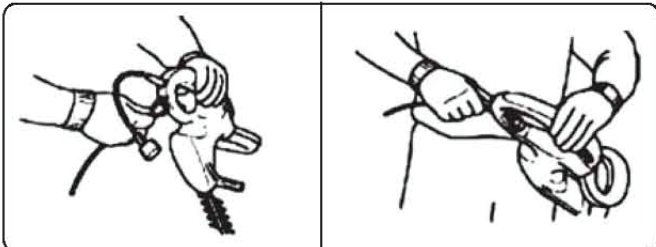
EXTENSION CORD - Always keep extension cord behind trimmer and away from the trimming operation. Never drape it over a hedge being trimmed. If you cut or damage the cord, unplug it at the electrical outlet immediately, before inspection or repairing the cord.

You may also place the extension cord in the cord retainer. Form a loop in extension cord and push the loop through the hole in the rear handle. Position the loop over the cord retainer and pull back to secure. Connect power cord of unit to extension cord.

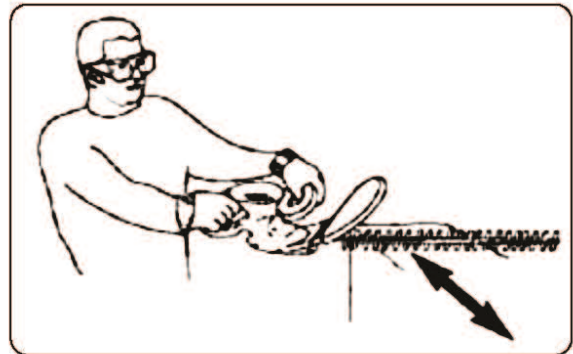
2. LEVEL HEDGES—To obtain exceptionally level hedges, a piece of string can be stretched along the length of the hedge as a guide.

CAUTION: Do not use the trimmer for cutting stems greater than 5/8". Use the trimmer only for cutting normal shrubbery found around houses and buildings.

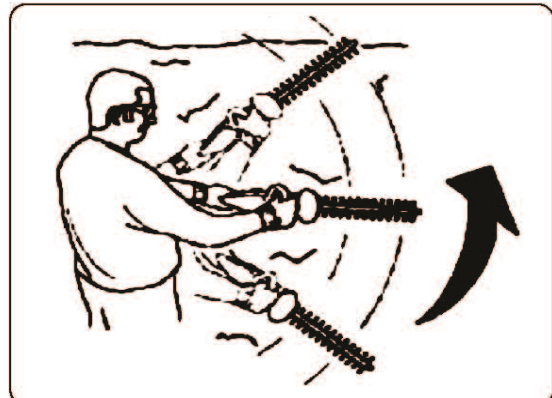
3. TRIMMING NEW GROWTH—A wide, sweeping motion, feeding the blade teeth through the twigs is most effective. A slight downward tilt of the blade in the direction of the motion gives the best cutting.



1. WORKING POSITION—Maintain proper footing and balance and do not overreach. Wear safety goggles, non-skid footwear and rubber gloves when trimming. Hold the tool firmly in both hands and turn the tool ON. Always hold the trimmer, as shown, with right hand on the switch handle and left hand on the front. Never hold the tool by the blade guard. Keep unit below waist level.



4. SIDE-TRIMMING HEDGES—Begin at the bottom and sweep up



MAINTENANCE

If you drop the trimmer, carefully inspect it for damage. If the blade is bent or cracked, handles broken or if you see any other condition that may affect the trimmer's operation, it must be repaired before putting it back into use. Call our customer service help line at 1-800-313-5111 for assistance.

CAUTION: Do not at any time let brake fluids, gasoline, petroleum based products, penetrating oils, etc., come in contact with plastic parts. They contain chemicals that can damage, weaken or destroy plastic.

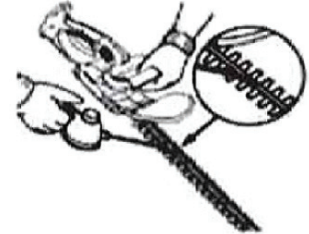
Make sure the unit is detached from the power supply, then use only mild soap and a damp cloth to clean the tool. Never let any liquid get inside the tool; never immerse any part of the tool into a liquid.

IMPORTANT: To assure product SAFETY and RELIABILITY, repairs, maintenance and adjustment should be performed by a qualified individual using only identical replacement parts.

The cutting blades are made from high quality, hardened steel and with normal usage, they will not require re-sharpening. However, if you accidentally hit a wire fence, stones, glass or other hard objects, you may put a nick in the blade. There is no need to remove this nick as long as it doesn't interfere with the movement of the blade. If it does interfere, make sure the unit is detached from the power supply and use a fine toothed file or sharpening stone to remove the nick.

Fertilizers and other garden chemicals contain agents which greatly accelerate the corrosion of metals. Do not store the tool on or adjacent to fertilizers or chemicals.

LUBRICATE BLADES - Stop the unit and disconnect the power cord. Then remove any debris on blades. Apply a light machine oil along the edge of the top and bottom blade supports. Make sure handles remain clean and dry.



TROUBLE SHOOTING

Problem	Possible Cause	Possible Solution
- Unit does not run	- Extension cord not connected to the plug	- Check extension cord is fully connected to tool
	- Cord not connected to power source	- Check extension cord is fully connected to a live receptacle
	- Trigger switch not fully operated	- Check that safety lock of button is fully forward prior to moving trigger
- Slow running, noisy or hot blades	- Dry, corroded blades	- Lubricate blades
	- Blades or blade support bent	- Straighten blade or blade support
	- Bent or damaged teeth	- Straighten teeth
	- Loose blade bolts	- Tighten blade bolts

For parts or service, please call 1-800-313-5111 or visit us online at www.americanlawnmower.com. Be sure to provide all relevant information when you call or visit.

REPAIR PARTS (KITS/ ITEMS)

The model number of this tool is found on a plate or label attached to the housing. Please record the serial number in the space provided below.

MODEL NUMBER HT10117

SERIAL NUMBER _____

CALL US FIRST !!

Call us first with questions about operating or maintaining your product at 1.800.313.5111 between 8:00 a.m. – 5:00 p.m. Eastern Standard Time, or get assistance on www.americanlawnmower.com.



OWNER'S MANUAL

HT10117 ELECTRIC HEDGE TRIMMER

Copyright. All Rights Reserved.

WARRANTY POLICY

Two (2) year limited warranty on Earthwise corded electric equipment.

Earthwise warrants to the original owner that each new product and service part is free from defects in materials and workmanship and agrees to repair or replace any defective product or part for the warranty period as stated above from the original date of purchase except for the conditions and circumstances listed below:

This warranty applies only to the original purchaser at retail and may not be transferred.

Warranty applies if the product is used for personal, household or family use. Warranty is void if product is used for commercial, industrial or rental purposes.

Warranty does not include repairs necessary due to operator's abuse or negligence (including overloading the product beyond capacity or immersion in water), or the failure to assemble, operate, maintain or store the product according to the instructions in the operator's manual.

This warranty is not transferable and only applies to product sold directly from an authorized retailer. This warranty does not apply to any product, new or used, purchased through unauthorized third-party channels.

ANY INCIDENTAL, INDIRECT OR CONSEQUENTIAL LOSS, DAMAGE, OR EXPENSE THAT MAY RESULT FROM ANY DEFECT, FAILURE OR MALFUNCTION OF THE PRODUCT IS NOT COVERED BY THE WARRANTY. Some states do not allow the exclusion or limitation on how long an implied warranty lasts, so the above limitation may not apply to you.

Products sold damaged or incomplete, sold "as is", or sold as reconditioned are not covered under the warranty.

Damage or liability caused by shipping, improper handling, improper assembly, incorrect voltage, improper wiring, improper maintenance, improper modification or the use of accessories and/or attachments not specifically recommended is not covered by this warranty.

Expendable items that become worn during normal use are not covered by the warranty.

Warranty does not cover damage caused by cold, heat, rain, excessive humidity, corrosive environments and materials, or other contaminants.

Warranty does not include installation, assembly or normal adjustments explained in the operator's manual.

The expense of delivering the product to the vendor and the expense of returning the product or replacement parts to the owner is not covered by the warranty.

The warranty does not cover normal deterioration of the exterior finish, including but not limited to scratches, dents, paint chips or any corrosion or discoloration caused by heat, abrasive and chemical cleaners.

Proof of purchase, original dated sales receipt, must accompany all warranty claims.



American Lawn Mower Company
The Great States Corporation
7444 Shadeland Station Way
Indianapolis, IN 46256 USA
Phone 1-800-313-5111
www.americanlawnmower.com

In a continued commitment to improve quality, the Manufacturer reserves the right to make component changes or design changes when necessary.

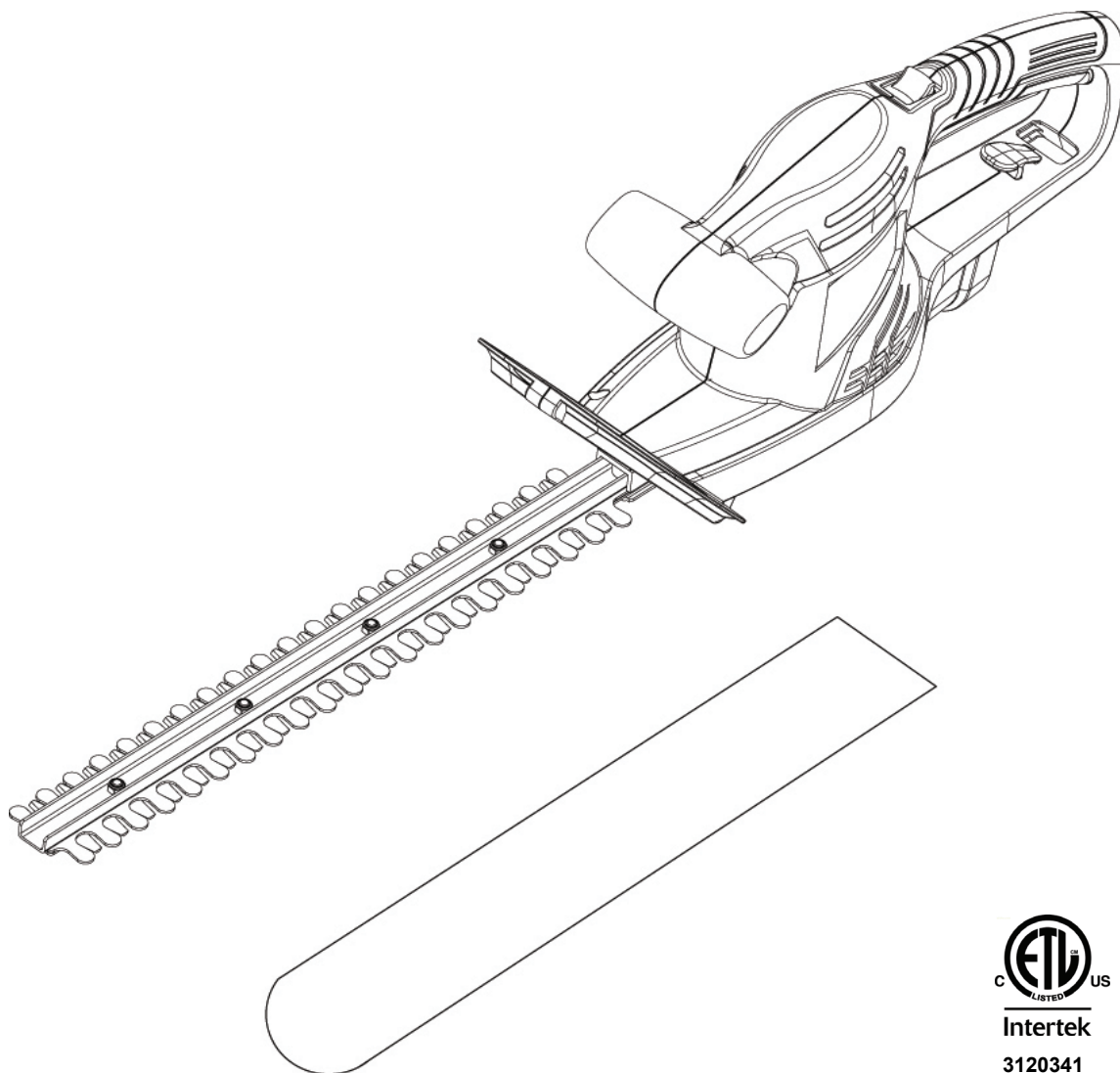


MANUAL DEL OPERARIO

CORTASETOS ELÉCTRICO

Copyright. Todos los derechos reservados.

MODELO HT10117



Su cortasetos fue diseñado y fabricado de acuerdo con nuestros altos estándares de confiabilidad, facilidad de operación y seguridad para el operario. Si se lo trata con cuidado, le otorgará años de óptimo rendimiento y resistencia.



ADVERTENCIA: Para reducir el riesgo de sufrir alguna lesión, el usuario debe leer y comprender el manual del operario antes de usar este producto.

Muchas gracias por su compra.

NO DEVUELVA ESTE PRODUCTO A LA TIENDA. ¿TIENE PREGUNTAS SOBRE FUNCIONAMIENTO, MONTAJE, PIEZAS O SERVICIO TÉCNICO? IR A WWW.AMERICANLAWNMOWER.COM O LLAME AL 1-800-313-5111 ENTRE LAS 8:00 AM Y LAS 5:00 PM, HORA DEL ESTE DE LOS ESTADOS UNIDOS.

GUARDE ESTE MANUAL PARA CONSULTAS FUTURAS



ADVERTENCIAS DE SEGURIDAD IMPORTANTES



ADVERTENCIAS DE SEGURIDAD GENERALES PARA LA HERRAMIENTAS ELÉCTRICAS

ADVERTENCIA: Lea todas las advertencias de seguridad y las instrucciones. La inobservancia de las advertencias e instrucciones puede causar descargas eléctricas, incendios o lesiones graves.

Guarde todas las advertencias e instrucciones para consultarlas en el futuro. El término "herramienta eléctrica" en las advertencias se refiere a las herramientas eléctricas que funcionan con corriente (con cordón) o las que funcionan con batería (inalámbricas).

Área de trabajo

- **Mantenga limpia y bien iluminada el área de trabajo.** Un área de trabajo mal despejada o mal iluminada propicia accidentes.
- **No utilice herramientas motorizadas en atmósferas explosivas, como las existentes alrededor de líquidos, gases y polvos inflamables.** Las herramientas eléctricas generan chispas que pueden encender el polvo y los vapores inflamables.
- **Mantenga alejados a los niños y circunstantes al maniobrar una herramienta eléctrica.** Toda distracción puede causar la pérdida del control de la herramienta.

Seguridad eléctrica

- **Las clavijas de las herramientas eléctricas deben corresponder a las tomas de corriente donde se conectan. Nunca modifique la clavija de ninguna forma. No utilice ninguna clavija adaptadora con herramientas eléctricas dotadas de contacto a tierra.** Conectando las clavijas originales en las tomas de corriente donde corresponden se disminuye el riesgo de una descarga eléctrica.
- **Evite el contacto del cuerpo con las superficies de objetos conectados a tierra, como las tuberías, radiadores, estufas y refrigeradores.** Existe un mayor riesgo de descargas eléctricas si el cuerpo está haciendo tierra.
- **No exponga las herramientas eléctricas a la lluvia ni a condiciones de humedad.** La introducción de agua en una herramienta eléctrica aumenta el riesgo de descargas eléctricas.
- **No maltrate el cordón eléctrico. Nunca utilice el cordón para trasladar, desconectar o tirar de la herramienta eléctrica. Mantenga el cordón lejos del calor, aceite, bordes afilados y piezas móviles.** Los cordones eléctricos dañados o enredados aumentan el riesgo de descargas eléctricas.
- **Al utilizar una herramienta eléctrica a la intemperie, use un cordón de extensión apropiado para el exterior.** Usando un cordón adecuado para el exterior se disminuye el riesgo de descargas eléctricas.
- **Si debe operar una herramienta en lugares húmedos, use un suministro protegido por un interruptor de circuito con pérdida a tierra (GFCI).** El uso de un GFCI reduce el riesgo de descargas eléctricas.

Seguridad personal

- **Permanezca alerta, preste atención a lo que esté haciendo y aplique el sentido común al utilizar herramientas eléctricas. No utilice la herramienta eléctrica si está cansado o se encuentra bajo los efectos de alguna droga, alcohol o medicamento.** Un momento de inatención al utilizar una herramienta eléctrica puede causar lesiones corporales serias.
- **Utilice protección el equipo otros. Siempre póngase protección ocular.** El uso de equipo protector como mascarilla para el polvo, calzado de seguridad, casco y protección para los oídos en las circunstancias donde corresponda disminuye el riesgo de lesiones.
- **Evite que la herramienta se active accidentalmente. Asegúrese de que el interruptor esté en la posición de apagado antes de conectar la herramienta a un suministro de corriente o de colocar un paquete de baterías.** Transportar herramientas eléctricas con el dedo en el interruptor o enchufar herramientas eléctricas que tienen el interruptor encendido puede ocasionar accidentes.

- **Retire toda llave o herramienta de ajuste antes de encender la herramienta eléctrica.** Toda llave o herramienta de ajuste dejada en una pieza giratoria de la herramienta eléctrica puede causar lesiones.
- **No estire el cuerpo para alcanzar mayor distancia. Mantenga una postura firme y buen equilibrio en todo momento.** De esta manera se logra un mejor control de la herramienta eléctrica en situaciones inesperadas.
- **Vístase adecuadamente. No vista ropas holgadas ni joyas. Mantenga el cabello, la ropa y los guantes alejados de las piezas móviles.** Las ropas holgadas y las joyas, así como el cabello largo, pueden engancharse en las piezas móviles.
- **Si se suministran dispositivos para conectar mangueras de extracción y captación de polvo, asegúrese de que éstas estén bien conectadas y se usen correctamente.** El uso de la captación de polvo puede reducir los peligros relacionados con éste.

Empleo y cuidado de la herramienta eléctrica

- **No fuerce la herramienta eléctrica. Utilice la herramienta eléctrica adecuada para cada trabajo.** La herramienta eléctrica adecuada efectúa mejor y de manera más segura el trabajo, si además se maneja a la velocidad para la que está diseñada.
 - **No utilice la herramienta si el interruptor no enciende o no apaga.** Cualquier herramienta eléctrica que no pueda controlarse con el interruptor es peligrosa y debe repararse.
 - **Desconecte la clavija del suministro de corriente o retire el paquete de baterías de la herramienta eléctrica, según sea el caso, antes de efectuarle cualquier ajuste, cambiarle accesorios o guardarla.** Tales medidas preventivas de seguridad reducen el riesgo de poner en marcha accidentalmente la herramienta.
 - **Guarde las herramientas eléctricas desocupadas fuera del alcance de los niños y no permita que las utilicen personas no familiarizadas con las mismas o con estas instrucciones.** Las herramientas eléctricas son peligrosas en manos de personas no capacitadas en el uso de las mismas.
 - **Preste servicio a las herramientas eléctricas. Revise para ver si hay desalineación o atoramiento de piezas móviles, ruptura de piezas o cualquier otra condición que pueda afectar el funcionamiento de la herramienta. Si está dañada la herramienta eléctrica, permita que la reparen antes de usarla.** Numerosos accidentes son causados por herramientas eléctricas mal cuidadas.
 - **Mantenga las herramientas de corte afiladas y limpias.** Las herramientas de corte bien cuidadas y con bordes bien afilados, tienen menos probabilidad de atascarse en la pieza de trabajo y son más fáciles de controlar.
 - **Utilice la herramienta eléctrica, los accesorios y brocas, hojas y cuchillas de corte, ruedas de esmeril, etc. de conformidad con estas instrucciones, tomando en cuenta las condiciones de trabajo y la tarea por realizar.** Si se utiliza la herramienta eléctrica para operaciones diferentes de las indicadas podría originar una situación peligrosa.
- ### Servicio
- **Permita que un técnico de reparación calificado preste servicio a la herramienta eléctrica, y sólo con piezas de repuesto idénticas.** De esta manera se mantiene la seguridad de la herramienta eléctrica.
 - **Al dar servicio a una herramienta eléctrica, sólo utilice piezas de repuesto idénticas. Siga las instrucciones señaladas en la sección Mantenimiento de este manual.** El empleo de piezas no autorizadas o el incumplimiento de las instrucciones de mantenimiento puede significar un riesgo de descarga eléctrica o de lesiones.

ADVERTENCIAS DE SEGURIDAD PODADORA DE SETOS

- **PELIGRO — Mantenga las manos alejadas de la hoja.** Entrar en contacto con la hoja puede provocar lesiones corporales serias.
- **Utilice ambas manos para trabajar con la podadora de setos.** Si utiliza una sola mano puede perder el control y terminar en lesiones corporales serias.
- **Mantenga todas las partes del cuerpo alejadas de la hoja de corte. No retire material cortado ni sujete material por cortar mientras estén moviéndose las hojas. Asegúrese de apagar la máquina cuando retire el material atascado. La hoja de corte continúa girando por inercia después de apagarse la unidad.** Un momento de inatención al utilizar una podadora de setos puede causar lesiones corporales serias.
- **Transporte la podadora de setos del mango con la hoja de corte apagada.** Un manejo apropiado de la podadora de setos reduce la posibilidad de que haya lesiones producidas por las hojas de corte.
- **Coloque la máquina encendida en superficies firmes y aisladas únicamente, porque la hoja de corte puede entrar en contacto con cables ocultos.** Las hojas de corte que entren en contacto con un cable "con carga" puede hacer que la electricidad se transmita a las piezas metálicas expuestas de la herramienta eléctrica y puede provocar una descarga eléctrica en el operador.
- **Mantenga el cable alejado del área de corte.** Durante el funcionamiento, el cable puede estar oculto en arbustos y puede ser accidentalmente cortado por la hoja.

⚠ **ADVERTENCIA** — Sólo uso con mango y protección ensamblado apropiadamente podadora de setos. El uso del podadora de setos sin el protección o el mango apropiados proporcionados puede tener como resultado herida personal grave.

CABLE DE EXTENSIÓN. Asegúrese de que el cable de extensión esté en buenas condiciones. Además, compruebe que tenga el grosor suficiente para transportar la corriente que necesitará el producto. Un cable de extensión muy pequeño provocará una disminución en la tensión de la línea y, como resultado, una pérdida de potencia y recalentamiento. La siguiente tabla muestra el tamaño correcto que se debe usar según la longitud del cable y el amperaje de la etiqueta. Ante la duda, utilice el siguiente calibre más grueso. Cuanto más bajo es el número de calibre, más grueso es el cable.

Calibre mínimo para los cables						
Voltios	Longitud total del cable en metros (pies)					
120V	0-7,6	7,9-15,2	15,5-30,4	30,7-45,7		
	(0-25)	(26-50)	(51-100)	(101-150)		
Amperaje		Calibre AWG				
Más de	No más de					
0	- 6	18	16	16	14	14
6	- 10	18	16	14	12	12
10	- 12	16	16	14	12	12
12	- 16	14	12	No se recomienda		

⚠ **ADVERTENCIA:** Utilice los cables de extensión de la puerta rotulados SW-A, SOW-A, STW-A, SJW-A o SJTW-A. Estos cables están especificados para usarse al aire libre y reducir el riesgo de descarga eléctrica.

DOBLE AISLAMIENTO. El doble aislamiento es un concepto de seguridad en las herramientas eléctricas que elimina la necesidad del acostumbrado cable de alimentación puesto a tierra mediante el sistema de tres cables. Todas las piezas metálicas expuestas están separadas de los componentes metálicos internos del motor por un aislamiento protector. Las herramientas con doble aislamiento no necesitan la conexión a tierra.

NOTA: La finalidad del sistema de doble aislamiento es proteger al usuario de una descarga eléctrica provocada por una rotura del aislamiento interno de la herramienta. Respete todas las precauciones generales de seguridad para evitar una descarga eléctrica.

El cable de extensión y el cable de alimentación se pueden atar para evitar que se desconecten durante el uso. Realice el nudo como se muestra en la imagen y, después, conecte el enchufe del cable de alimentación en el receptáculo del cable de extensión. Este método también se puede aplicar para unir dos cables de extensión.



ENCHUFES POLARIZADOS. Para reducir el riesgo de una descarga eléctrica, este equipo tiene un enchufe polarizado (un contacto es más ancho que el otro). Se debe utilizar un cable de extensión polarizado adecuado de dos o tres cables. Las conexiones polarizadas encajan de una sola manera. Asegúrese de que el extremo del receptáculo del cable de extensión tenga ranuras de anchos diferentes para los contactos. Invierta el enchufe si no encaja exactamente en el cable de extensión. Si aun así no encaja, consiga un cable de extensión adecuado. Si el cable de extensión no se adapta bien al tomacorriente, llame a un electricista competente para que instale un tomacorriente adecuado. No modifique el enchufe de la herramienta ni el cable de extensión de ningún modo.

VERIFIQUE LAS PIEZAS DAÑADAS. Antes de seguir usando el cortasetos, se deberán revisar los protectores u otras piezas dañadas en forma exhaustiva para determinar si la herramienta funcionará correctamente y realizará el trabajo previsto. Verifique la alineación y las uniones de las piezas móviles, el montaje, las averías y otros factores que puedan afectar el funcionamiento. Un protector o cualquier otra pieza dañada deben ser reemplazados o reparados en forma adecuada. Comuníquese con nuestra línea de ayuda de atención al cliente al 1-800-313-5111 para recibir asistencia.

⚠ **ADVERTENCIA:** Disposición 65 del estado de California: Este producto contiene químicos reconocidos por el estado de California como causantes de cáncer, defectos de nacimiento u otros efectos nocivos para el aparato reproductor.

⚠ **ADVERTENCIA:** Parte del polvo y los residuos generados por esta herramienta podría contener químicos reconocidos por el estado de California como causantes de cáncer, defectos de nacimiento u otros efectos nocivos para el aparato reproductor. Algunos ejemplos de estos productos químicos son:

- químicos presentes en fertilizantes;
- compuestos en insecticidas, herbicidas y pesticidas;
- arsénico y cromo de maderas tratadas químicamente.

El riesgo que usted corre al exponerse a estos químicos varía según la frecuencia con la que realiza este tipo de trabajo. Para reducir la exposición, trabaje en una zona bien ventilada y utilice equipo de protección aprobado, como mascarillas antipolvo especialmente diseñadas para filtrar partículas microscópicas.

⚠ **ADVERTENCIA:** Cáncer y Daño Reproductivo - www.P65Warnings.ca.gov.

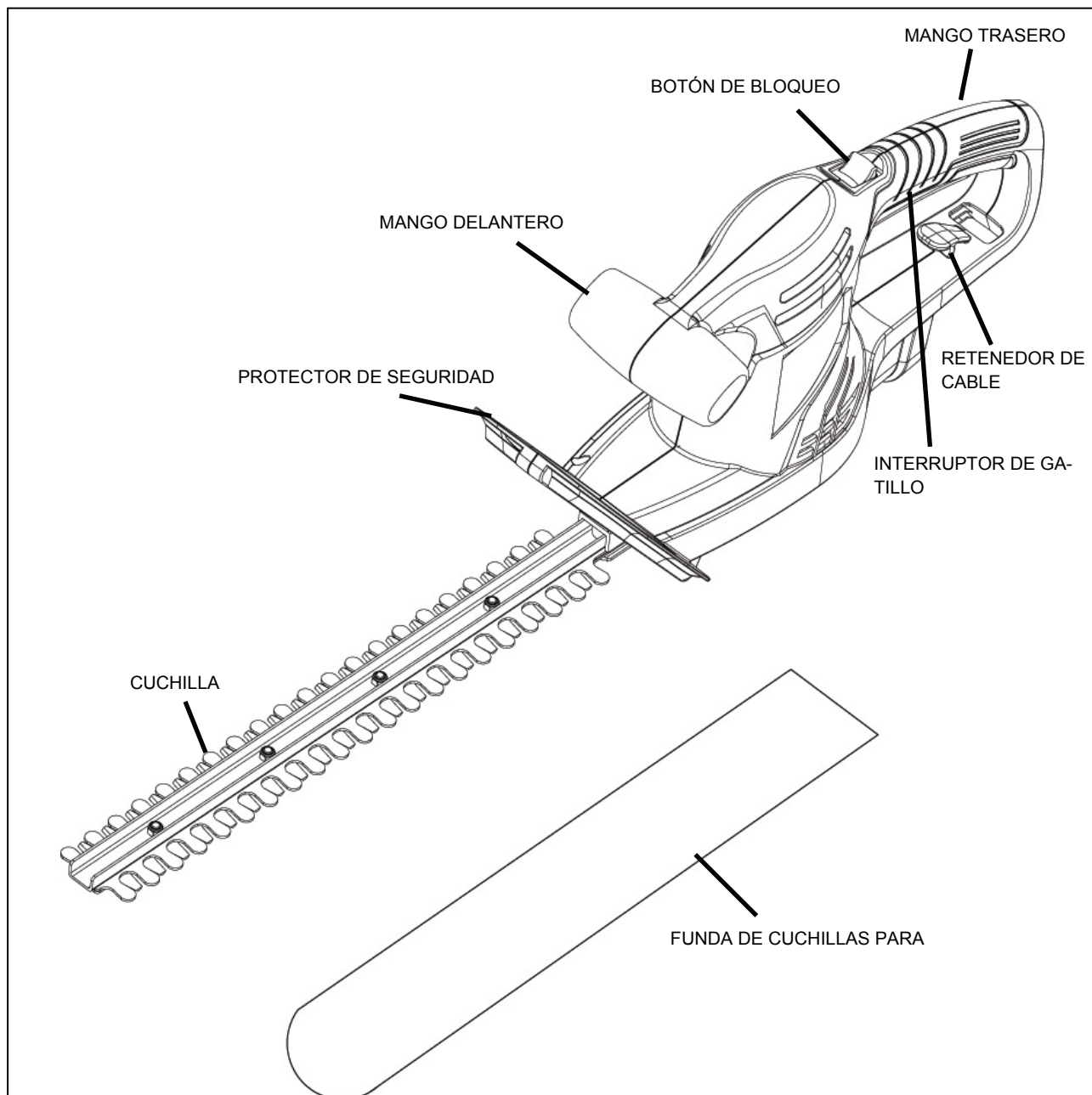
CARACTERÍSTICAS

ESPECIFICACIONES DEL PRODUCTO

HT10117

Entrada	120 V, 60 Hz, 2,8 A, CA únicamente
Velocidad	3200 carreras por minuto
Longitud de cuchilla	43,2 cm (17 pulg.)
Corte máximo.....	1,6 cm (5/8 pulg.)
Peso	4.74 lb (2.15 kg)

- cuchillas de acero endurecido



MONTAJE

DESEMBALAJE

Este producto no requiere montaje.

Extraiga el producto y los accesorios de la caja con cuidado. Asegúrese de que estén incluidos todos los elementos detallados en la lista de embalaje.

Inspeccione el producto detenidamente para corroborar que no existan roturas ni averías ocurridas durante el envío.

No deseche el material de embalaje hasta haber inspeccionado exhaustivamente el producto y comprobado que funciona en forma satisfactoria.

LISTA DE EMBALAJE

Cortasetos; funda de cuchillas para; manual de instrucciones

⚠ ADVERTENCIA: Si alguna pieza falta o está dañada, no utilice este producto hasta reponer la pieza en cuestión. De lo contrario, podría sufrir lesiones corporales serias.

Si alguna pieza falta o está dañada, llame al 1-800-313-5111 para obtener asistencia.

FUNCIONAMIENTO

ENCENDIDO DE LA HERRAMIENTA

Presione el botón de bloqueo con el dedo pulgar y luego apriete el gatillo con los dedos. (Una vez que la herramienta está en marcha, puede soltar el botón de bloqueo). Para apagar la máquina, suelte el gatillo.

⚠ PRECAUCIÓN: La cuchilla se mueve por inercia después de apagar el motor. No trabaje en condiciones de humedad. No guarde la herramienta con el interruptor en posición de encendido.

⚠ ADVERTENCIA: Para prevenir lesiones personales, tenga en cuenta las siguientes recomendaciones:

- Lea el manual de instrucciones antes de usar el producto.
- Guarde el manual de instrucciones.
- Mantenga las manos alejadas de las cuchillas.
- Sostenga la herramienta con ambas manos en los mangos. No se estire demasiado.

⚠ ADVERTENCIA: No permita que la familiaridad con este tipo de productos termine en negligencia. Recuerde que un segundo de descuido es suficiente para provocar una lesión seria.

INSTRUCCIONES DE CORTE

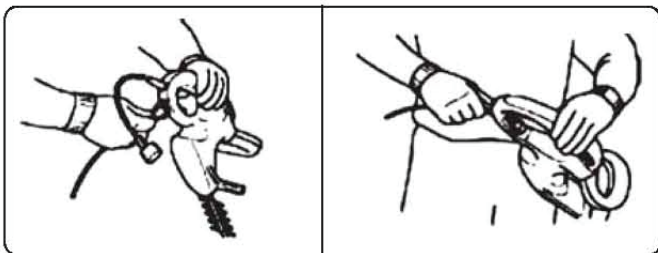
CABLE DE EXTENSIÓN. Siempre mantenga el cable de extensión detrás del cortasetos y alejado del trabajo de poda. No lo ponga formando pliegues encima del seto que está podando. Si corta o daña el cable, desenchúfelo del tomacorriente de inmediato antes de inspeccionarlo o repararlo.

Además, puede colocar el cable de extensión en el retenedor de cable. Forme un lazo con el cable e insértelo en el orificio del mango trasero. Ubique el lazo sobre el retenedor de cable y deslícelo hacia atrás para sujetarlo. Conecte el cable de alimentación de la unidad al cable de extensión.

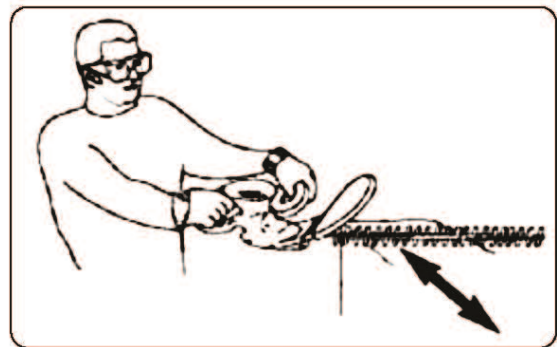
2. SETOS PAREJOS. Para lograr setos excepcionalmente parejos, se sugiere extender una cuerda a lo largo de los setos a modo de guía.

⚠ PRECAUCIÓN: No utilice el cortasetos para cortar tallos de más de 15,9 mm (5/8 pulg.). Úselo únicamente para cortar arbustos que se encuentran alrededor de casas y edificios.

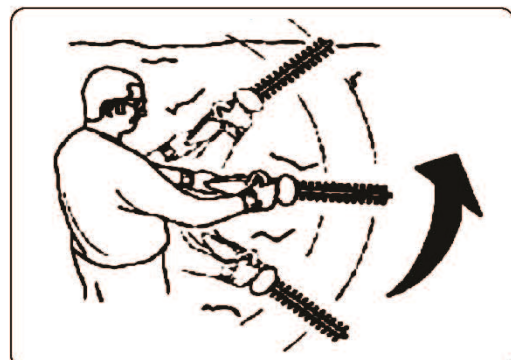
3. PODA DE CRECIMIENTOS NUEVOS. Lo más eficaz es realizar un amplio movimiento de barrido e introducir los dientes de la cuchilla entre las ramas. Para obtener el mejor corte, se recomienda inclinar la cuchilla levemente hacia abajo, en dirección al movimiento.



1. POSTURA DE TRABAJO. Mantenga una posición y un equilibrio apropiados y no se estire demasiado. Use gafas de seguridad, calzado antideslizante y guantes de goma mientras está trabajando. Sujete la herramienta con ambas manos firmemente y luego enciéndala. Sostenga siempre el cortasetos como se muestra en la imagen, con la mano derecha en el mango del interruptor y la izquierda en la parte delantera. Nunca tome la herramienta por el protector de las cuchillas. Ubique la unidad debajo del nivel de la cintura.



4. PODA LATERAL DE LOS SETOS. Comience desde abajo y realice el movimiento de barrido hacia arriba.





MANUAL DEL OPERARIO HT10117 CORTASETOS ELÉCTRICO

Copyright. Todos los derechos reservados.

POLÍTICA DE GARANTÍA

Garantía limitada de dos (2) años para el equipo eléctrico para exteriores Earthwise.

Earthwise garantiza al propietario original que cada producto nuevo y pieza de repuesto está libre de defectos en el material y la mano de obra, y acepta reparar o reemplazar cualquier producto o pieza defectuosa durante el periodo de garantía según lo establecido anteriormente a partir de la fecha de compra original excepto en las condiciones y

La garantía se aplica solo al comprador original al menudeo y no puede transferirse.

La garantía se aplica si el producto está destinado para uso personal, doméstico o familiar. La garantía queda anulada si el producto se usa con fines comerciales, industriales o de alquiler.

La garantía no incluye reparaciones necesarias debido a abuso o negligencia por parte del operador (incluida la sobrecarga del producto que supere la capacidad o inmersión en el agua), o un error al montar, operar, mantener o almacenar el producto de acuerdo con las instrucciones del manual del operador.

Esta garantía no es transferible y solo se aplica a productos vendidos directamente por un distribuidor minorista autorizado. Esta garantía no se aplica a cualquier producto, nuevo o usado, adquirido a través de canales de terceros no autorizados.

CUALQUIER PÉRDIDA ACCIDENTAL, INDIRECTA O RESULTANTE, DAÑO O GASTO QUE PUEDA DERIVAR DE CUALQUIER DEFECTO, FALLA O MALFUNCIONAMIENTO DEL PRODUCTO NO ESTÁ CUBIERTO POR LA GARANTÍA.

En algunos estados no se permite la exclusión o limitación sobre la duración de las garantías implícitas, en cuyo caso la limitación anterior no podría aplicarse.

Los productos que se venden dañados o incompletos, que se venden "tal como están" o reacondicionados no están cubiertos por esta garantía.

Los daños o inconvenientes causados por envío, manipulación inadecuada, montaje incorrecto, voltaje o cableado incorrecto, mantenimiento deficiente, modificaciones inadecuadas o el uso de accesorios o dispositivos de sujeción no recomendados específicamente no están cubiertos por esta garantía.

Elementos consumibles que se desgastan con el uso normal cubierto por la garantía.

La garantía no cubre los daños causados por el frío, el calor, la lluvia, la humedad excesiva, ambientes y materiales corrosivos u otros contaminantes.

La garantía no incluye instalación, montaje o ajustes normales tal como se explican en el manual del operador.

Los gastos de entrega del producto al proveedor y los gastos de devolución del producto o las piezas de repuesto al propietario no están cubiertos por esta garantía.

La garantía no cubre el deterioro normal del acabado exterior, que incluye pero no se limita a rayones, abolladuras, cascarillas de pintura o cualquier corrosión o decoloración ocasionada por el calor, limpiadores abrasivos o químicos.

Todos los reclamos de garantía deben estar acompañados por el comprobante de compra, el recibo de compra original con fecha.



American Lawn Mower Company
The Great States Corporation
7444 Shadeland Station Way
Indianapolis, IN 46256
Estados Unidos
Teléfono 1-800-313-5111
www.americanlawnmower.com

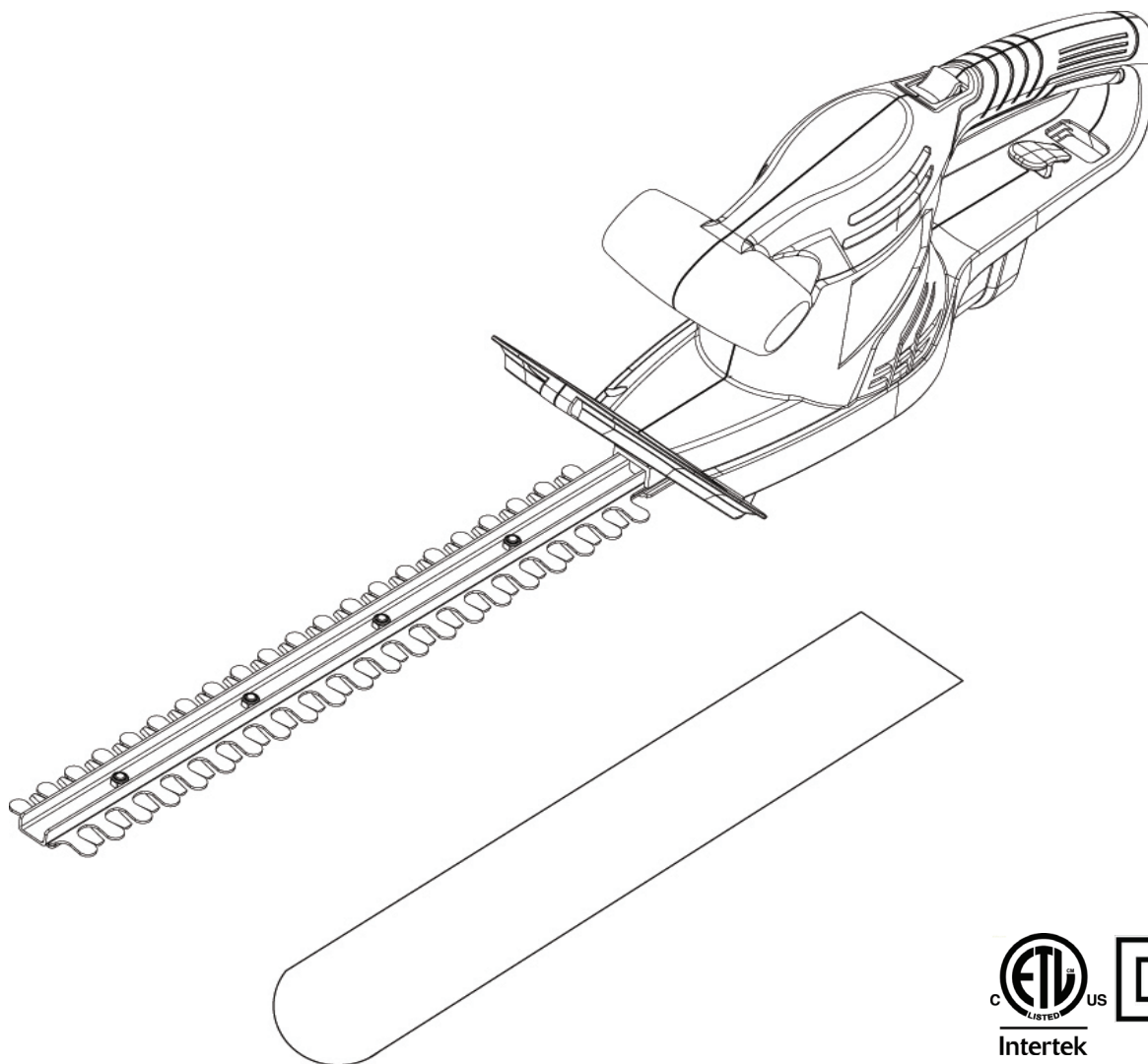


MANUEL DE L'UTILISATEUR

TAILLE-HAIE ÉLECTRIQUE

Droit d'auteur. Tous droits réservés.

MODÈLE HT10117



Votre taille-haie a été conçu et fabriqué selon notre norme élevée de fiabilité, de facilité d'utilisation et de sécurité de l'utilisateur. Correctement entretenu, il vous procurera des années de service intensif et sans souci.



AVERTISSEMENT : Afin d'éviter de se blesser, l'utilisateur doit lire et comprendre le manuel de l'utilisateur avant d'utiliser ce produit.

Merci pour votre achat.

NE RENVOYEZ PAS CE PRODUIT AU MAGASIN. AVEZ-VOUS DES QUESTIONS CONCERNANT LE FONCTIONNEMENT, L'ASSEMBLAGE, LES PIÈCES OU LA RÉPARATION DU PRODUIT? ALLEZ À WWW.AMERICANLAWNMOWER.COM OU COMPOSEZ LE 1-800-313-5111 DE 8 h 00 à 17 h 00, HEURE DE L'EST, POUR TOUTE ASSISTANCE.

CONSERVEZ CE MANUEL POUR POUVOIR LE CONSULTER ULTÉRIEUREMENT



AVERTISSEMENTS DE SÉCURITÉ IMPORTANTS



AVERTISSEMENTS RÈGLES DE SÉCURITÉ GÉNÉRALES RELATIVES AUX OUTILS ÉLECTRIQUES

AVERTISSEMENT : Lire tous les avertissements et toutes les instructions. Ne pas suivre l'ensemble des avertissements et des instructions peut entraîner une électrocution, un incendie ou des blessures graves.

Conserver les avertissements et les instructions à des fins de référence ultérieure. Le terme « outil motorisé », utilisé dans tous les avertissements ci-dessous désigne tout outil fonctionnant sur secteur (câblé) ou sur piles (sans fil).

Sécurité du lieu de travail

- **Garder le lieu de travail propre et bien éclairé.** Les endroits encombrés ou sombres sont propices aux accidents.
- **Ne pas utiliser d'outils électriques dans des atmosphères explosives, par exemple en présence de liquides, gaz ou poussières inflammables.** Les outils électriques produisent des étincelles risquant d'enflammer les poussières ou vapeurs.
- **Garder les enfants et badauds à l'écart pendant l'utilisation d'un outil électrique.** Les distractions peuvent causer une perte de contrôle.

Sécurité électrique

- **Les fiches des outils électriques doivent correspondre à la prise secteur utilisée. Ne jamais modifier la fiche, de quelque façon que ce soit. Ne jamais utiliser d'adaptateurs de fiche avec des outils mis à la terre.** Les fiches et prises non modifiées réduisent le risque de choc électrique.
- **Éviter tout contact du corps avec des surfaces mises à la terre, telles que tuyaux, radiateurs, cuisinières et réfrigérateurs.** Le risque de choc électrique est accru lorsque le corps est mis à la terre.
- **Ne pas exposer les outils électriques à l'eau ou l'humidité.** La pénétration d'eau dans ces outils accroît le risque de choc électrique.
- **Ne pas maltraiter le cordon d'alimentation. Ne jamais utiliser le cordon d'alimentation pour transporter l'outil et ne jamais débrancher ce dernier en tirant sur le cordon. Garder le cordon à l'écart de la chaleur, de l'huile, des objets tranchants et des pièces en mouvement.** Un cordon endommagé ou emmêlé accroît le risque de choc électrique.
- **Pour les travaux à l'extérieur, utiliser un cordon spécialement conçu à cet effet.** Utiliser un cordon conçu pour l'usage extérieur pour réduire les risques de choc électrique.
- **S'il est nécessaire d'utiliser l'outil électrique dans un endroit humide, employer un dispositif interrupteur de défaut à la terre (GFCI).** L'utilisation d'un GFCI réduit le risque de décharge électrique.

Sécurité personnelle

- **Rester attentif, prêter attention au travail et faire preuve de bon sens lors de l'utilisation de tout outil électrique. Ne pas utiliser cet outil en état de fatigue ou sous l'influence de l'alcool, de drogues ou de médicaments.** Un moment d'inattention pendant l'utilisation d'un outil électrique peut entraîner des blessures graves.
- **Utiliser l'équipement de sécurité. Toujours porter une protection oculaire.** L'équipement de sécurité, tel qu'un masque filtrant, de chaussures de sécurité, d'un casque ou d'une protection auditive, utilisé dans des conditions appropriées réduira le risque de blessures.
- **Éviter les démarrages accidentels. S'assurer que le commutateur est en position d'arrêt avant de brancher l'outil.** Porter un outil avec le doigt sur son commutateur ou brancher un outil dont le commutateur est en position de marche peut causer un accident.

- **Retirer les clés de réglage avant de mettre l'outil en marche.** Une clé laissée sur une pièce rotative de l'outil peut causer des blessures.
- **Ne pas travailler hors de portée. Toujours se tenir bien campé et en équilibre.** Ceci permettra de mieux contrôler l'outil en cas de situation imprévue.
- **Porter une tenue appropriée. Ne porter ni vêtements amples, ni bijoux. Garder les cheveux, les vêtements et les gants à l'écart des pièces en mouvement.** Les vêtements amples, bijoux et cheveux longs peuvent se prendre dans les pièces en mouvement.
- **Si les outils sont équipés de dispositifs de dépeussierage, s'assurer qu'ils sont connectés et correctement utilisés.** L'usage de ces dispositifs de dépeussierage peut réduire les dangers présentés par la poussière.

Utilisation et entretien des outils électriques

- **Ne pas forcer l'outil. Utiliser l'outil approprié pour l'application.** Un outil approprié exécutera le travail mieux et de façon moins dangereuse s'il est utilisé dans les limites prévues.
- **Ne pas utiliser l'outil si le commutateur ne permet pas de le mettre en marche ou de l'arrêter.** Tout outil qui ne peut pas être contrôlé par son commutateur est dangereux et doit être réparé.
- **Débrancher l'outil et/ou retirer le bloc-piles avant d'effectuer des réglages, de changer d'accessoire ou de remiser l'outil.** Ces mesures de sécurité préventives réduisent les risques de démarrage accidentel de l'outil.
- **Ranger les outils motorisés hors de la portée des enfants et ne laisser personne n'étant pas familiarisé avec l'outil ou ces instructions utiliser l'outil.** Dans les mains de personnes n'ayant pas reçu des instructions adéquates, les outils sont dangereux.
- **Entretenir les outils motorisés. Vérifier qu'aucune pièce mobile n'est mal alignée ou bloquée, qu'aucune pièce n'est brisée et s'assurer qu'aucun autre problème ne risque d'affecter le bon fonctionnement de l'outil. En cas de dommages faire réparer l'outil avant de l'utiliser de nouveau.** Beaucoup d'accidents sont causés par des outils mal entretenus.
- **Garder les outils bien affûtés et propres.** Des outils correctement entretenus et dont les tranchants sont bien affûtés risquent moins de se bloquer et sont plus faciles à contrôler.
- **Utiliser l'outil, les accessoires et embouts, etc. conformément à ces instructions pour les applications pour lesquelles ils sont conçus, en tenant compte des conditions et du type de travail à exécuter.** L'usage d'un outil motorisé pour des applications pour lesquelles il n'est pas conçu peut être dangereux.

Dépannage

- **Les réparations doivent être confiées à un technicien qualifié, utilisant exclusivement des pièces identiques à celles d'origine.** Ceci assurera le maintien de la sécurité de l'outil.
- **Utiliser exclusivement des pièces identiques à celles d'origine pour les réparations. Se conformer aux instructions de la section Entretien de ce manuel.** L'usage de pièces non autorisées ou le non-respect des instructions peut présenter des risques de choc électrique ou de blessures.

AVERTISSEMENTS DE SÉCURITÉ RELATIFS TAILLE-HAIES

- **DANGER — Éloigner les mains des lames.** Le contact avec les lames peut provoquer des blessures graves.
- **L'utilisation du taille-haie doit se faire avec les deux mains.** Le travail effectué avec une seule main peut provoquer la perte de contrôle de l'outil et provoquer des blessures graves.
- **Éloigner toute partie du corps des lames. Ne retirer les matériaux coincés ou suspendus ou de les tenir lorsque les lames sont en mouvement. S'assurer que l'interrupteur est à la position OFF (éteint) lorsque l'on déloge les débris de matériaux. La lame termine son mouvement une fois l'outil éteint.** Un moment d'inattention pendant l'utilisation du taille-haie peut occasionner une blessure grave.
- **Transporter le taille-haie par la poignée et s'assurer que la lame est immobile.** Une manipulation adéquate du taille-haie réduira les risques de blessures dues aux lames.
- **Soutenir l'outil électrique par les prises isolées seulement, car les lames peuvent toucher un fil camouflé.** Le contact des lames avec un fil sous tension « électrifie » les pièces métalliques exposées de l'outil et peut électrocuter l'utilisateur.
- **Mainenir le câble éloigné de la zone de coupe.** Au cours du fonctionnement, le câble peut être caché dans des arbustes et être accidentellement coupé par la lame.

⚠ **AVERTISSEMENT** — Seulement l'usage avec la poignée et le garde est assemblé se couvrir convenablement la taille-haies. L'usage de la taille-haies sans le garde ou la poignée correcte fournie peut avoir pour résultat sérieuse personnelle la blessure.

RALLONGE – Assurez-vous que la rallonge est en bon état. Lors de l'utilisation d'une rallonge, assurez-vous qu'elle est d'un calibre suffisant pour transmettre le courant consommé par le produit. Une rallonge de calibre insuffisant provoquera une baisse de tension qui entraînera une perte de puissance et une surchauffe. Le tableau suivant montre le calibre correct à utiliser en fonction de la longueur du câble et de l'intensité nominale de la plaque signalétique. En cas de doute, utilisez le calibre immédiatement supérieur. Plus le numéro de calibre est bas, plus le câble est lourd.

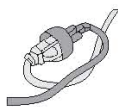
Calibre minimum pour les ensembles de câbles						
Volts	Longueur totale du câble en mètres et en pieds					
120V	0-7,6 (0-25)	7,9-15,2 (26-50)	15,5-30,4 (51-100)	30,7-45,7 (101-150)		
Intensité nominale		Calibre américain				
Supérieure (AWG)	Inférieure					
0	- 6	18	16	16	14	
6	- 10	18	16	14	12	
10	- 12	16	16	14	12	
12	- 16	14	12	Non recommandé		

⚠ **AVERTISSEMENT** : Utilisez des rallonges pour l'extérieur marquées SW-A, SOW-A, STW-A, SJW-A ou SJTW-A. Ces câbles sont classés pour une utilisation à l'extérieur et réduisent les risques de chocs électriques.

DOUBLE ISOLATION – La double isolation est un concept de sécurité des outils électriques, qui élimine le besoin d'un câble à 3 conducteurs mis à la terre. Toutes les pièces métalliques exposées sont isolées des composants métalliques du moteur interne par une isolation de protection. Il n'est pas nécessaire de raccorder les outils à double isolation à la terre.

REMARQUE : Le système à double isolation est conçu pour protéger l'utilisateur d'une décharge électrique résultant d'une rupture dans l'isolation interne de l'outil. Suivez toutes les consignes de sécurité normales pour éviter une décharge électrique.

Il est possible de nouer la rallonge et le câble d'alimentation afin de les empêcher de se déconnecter pendant l'utilisation. Effectuez le nœud comme illustré, puis branchez la fiche du cordon d'alimentation dans la fiche femelle de la rallonge. Cette méthode peut également être utilisée pour raccorder deux rallonges ensemble.



FICHES POLARISÉES – Afin de réduire le risque de décharge électrique, cet équipement comporte une prise polarisée (une fiche est plus large que l'autre). Cet équipement doit être utilisé avec une rallonge adaptée polarisée à 2 ou 3 conducteurs. Les connexions polarisées ne peuvent être effectuées que de la bonne façon. Assurez-vous que la prise femelle de la rallonge comporte des emplacements pour une fiche large et une fiche étroite. Si la fiche ne s'enfonce pas entièrement dans la rallonge, inversez la fiche. Si elle ne s'adapte toujours pas, obtenez une rallonge appropriée. Si la rallonge ne convient pas à la prise murale, contactez un électricien qualifié pour installer une prise murale adéquate. Ne changez en aucun cas la prise de l'outil ou de la rallonge.

VÉRIFIER LES PIÈCES ENDOMMAGÉES – Avant de poursuivre l'utilisation du taille-haie, toute protection ou autre pièce qui est endommagée doit être vérifiée avec soin afin de déterminer si elle fonctionnera correctement et remplira sa fonction prévue. Vérifiez que les pièces mobiles sont alignées, qu'elles ne sont pas coincées, qu'aucune pièce n'est cassée, et inspectez la qualité du montage et toute autre condition pouvant affecter le fonctionnement de l'outil. Une pièce de protection ou autre qui est endommagée doit être réparée ou remplacée de manière adéquate. Appelez notre service clientèle au 1-800-313-5111 pour obtenir de l'aide.

⚠ **AVERTISSEMENT** : Proposition 65 de l'État de la Californie : l'État de la Californie considère que certains produits chimiques contenus dans cet appareil sont à l'origine de cancers, de malformations congénitales et d'autres troubles de l'appareil reproducteur.

⚠ **AVERTISSEMENT** : L'État de la Californie considère que certaines poussières et débris créés par cet outil contiennent des produits chimiques qui sont à l'origine de cancers, de malformations congénitales et d'autres troubles de l'appareil reproducteur. Parmi ces produits chimiques, citons :

- les produits chimiques dans les fertilisants
- les composés dans les insecticides, herbicides et pesticides
- l'arsenic et le chrome du bois traité chimiquement.

Votre risque d'exposition à ces produits chimiques varie selon le nombre de fois que vous effectuez ce type de travail. Afin de réduire l'exposition à ces produits chimiques, travaillez dans un endroit bien aéré et portez un équipement de sécurité homologué, notamment un masque anti-poussière spécialement conçu pour filtrer les particules microscopiques.

⚠ **AVERTISSEMENT**: Cancer ET Troubles de l'appareil reproducteur - www.P65Warnings.ca.gov.

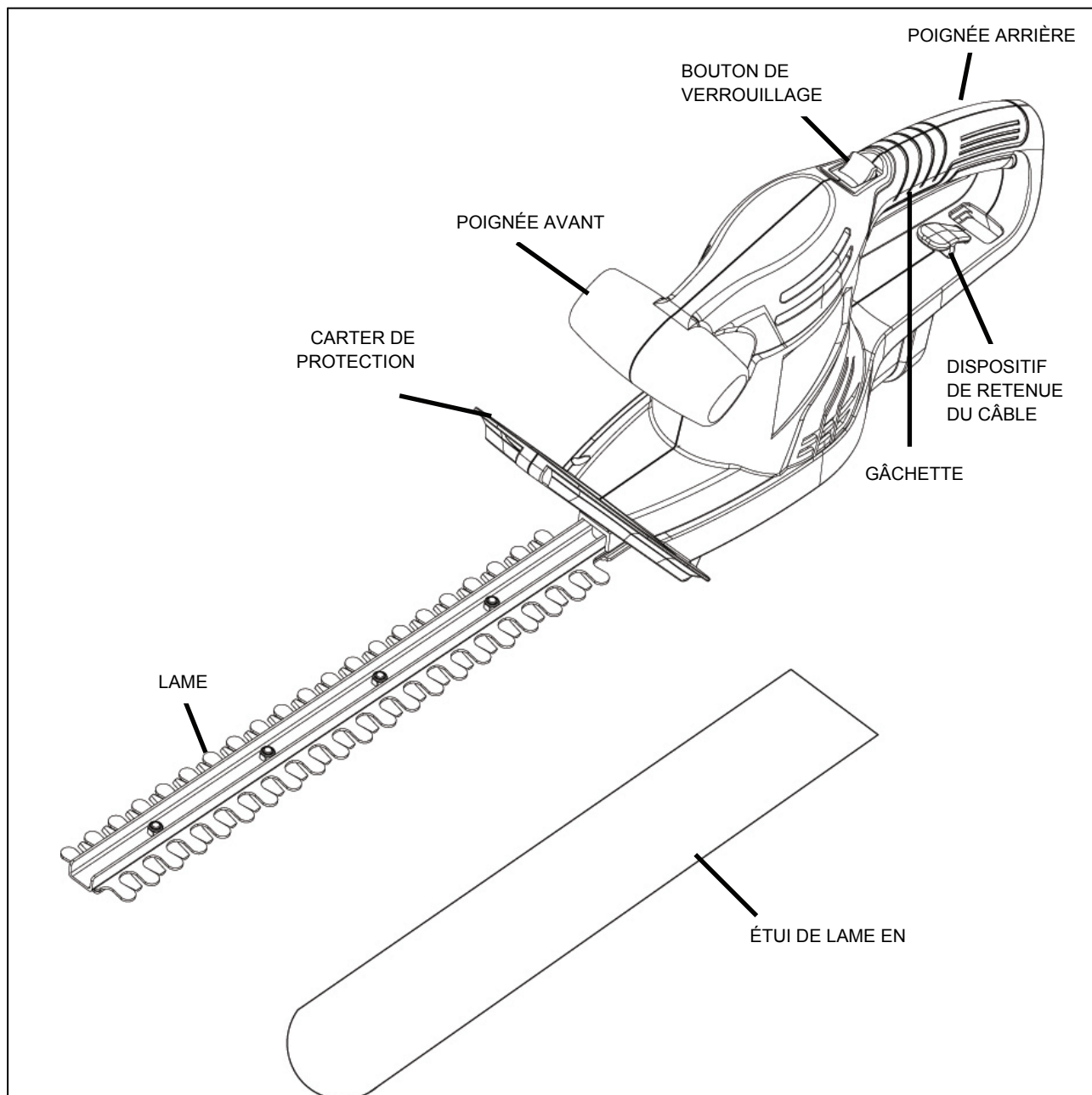
CARACTÉRISTIQUES

SPÉCIFICATIONS DU PRODUIT

HT10117

Entrée.....	120 V, 60 Hz, 2,8 A, c.a. seulement
Vitesse.....	3200 déplacements par minute
Longueur de la lame.....	43,2 cm (17 po)
Coupe maximum.....	1,6 cm (5/8 po)
Poids.....	4.74 lb (2.15 kg)

- Lames d'acier trempé



ASSEMBLAGE

DÉBALLAGE

Ce produit ne requiert aucun assemblage.

Enlevez avec précaution le produit et les accessoires du carton. Assurez-vous que tous les éléments figurant dans la liste du contenu sont inclus.

Inspectez soigneusement le produit pour vous assurer que rien n'a été cassé ou endommagé pendant le transport.

Ne jetez pas le matériau d'emballage tant que vous n'avez pas soigneusement inspecté et utilisé le produit de façon satisfaisante.

LISTE DU CONTENU

Taille-haie - Étui de lame en – Manuel d'instructions

AVERTISSEMENT : Si des pièces sont endommagées ou manquantes, n'utilisez pas ce produit tant qu'elles ne sont pas remplacées. Le non-respect de cette consigne peut entraîner des blessures graves.

Si des pièces sont endommagées ou manquantes, veuillez appeler le 1-800-313-5111 pour obtenir de l'aide.

UTILISATION

MISE EN MARCHÉ DE L'OUTIL

Appuyez sur le bouton de verrouillage avec le pouce et pressez le contacteur gâchette avec les doigts. (Une fois que l'outil fonctionne, vous pouvez relâcher le bouton de verrouillage.) Pour arrêter l'outil, relâchez le contacteur.

MISE EN GARDE : Les lames bougent encore après la mise hors tension.

N'utilisez pas l'outil dans des conditions mouillées.

Ne rangez pas l'outil avec le contacteur verrouillé sur la position de marche.

AVERTISSEMENT : Respectez les consignes suivantes pour éviter de vous blesser :

- Lisez le manuel d'instructions avant toute utilisation.
- Conservez le manuel d'instructions.
- N'approchez pas les mains des chaînes. Gardez les mains sur les poignées. N'essayez pas de couper trop loin.

AVERTISSEMENT : L'utilisation répétée de ce produit ne doit pas vous rendre imprudent. N'oubliez pas qu'une fraction de seconde d'inattention suffit pour infliger des blessures graves.

INSTRUCTIONS POUR LA COUPE

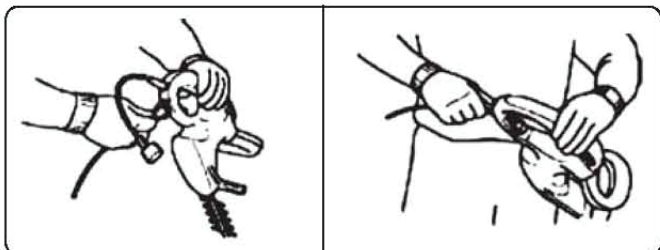
RALLONGE – Gardez toujours la rallonge derrière le taille-haie et à l'écart de l'opération de taille. Ne l'enroulez jamais au-dessus d'une haie en cours de taille. Si vous coupez ou endommagez le câble, débranchez-le au niveau de la prise électrique avant de l'inspecter ou de le réparer.

Vous pouvez également placer la rallonge dans le dispositif de retenue. Formez une boucle dans la rallonge et poussez la boucle dans l'orifice de la poignée arrière. Positionnez la boucle au-dessus du dispositif de retenue du câble et tirez pour le fixer. Raccordez le câble de l'appareil à la rallonge.

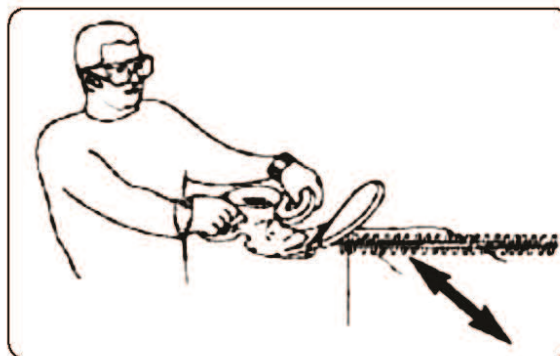
2. HAIES DE NIVEAU – Pour obtenir des haies exceptionnellement droites, une ficelle peut être tirée le long de la haie et servir de guide.

MISE EN GARDE : N'utilisez pas le taille-haie pour couper des tiges plus grosses que 15,9 mm (5/8 po). N'utilisez le taille-haie que pour tailler les haies et arbustes qui se trouvent à proximité des maisons et des bâtiments.

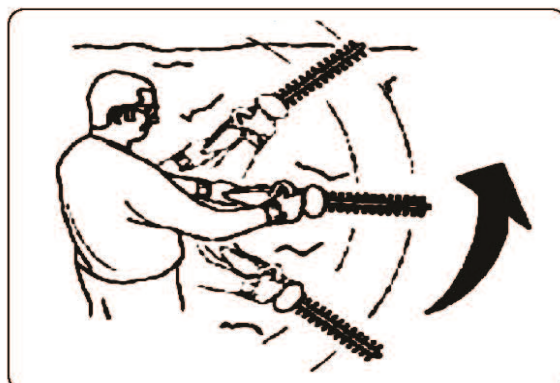
3. TAILLE DES NOUVELLES POUSSES – Un ample mouvement de balayage, faisant passer les dents des lames dans les branches, est le plus efficace. Une légère inclinaison de la lame vers le bas, dans le sens du mouvement, procure la meilleure coupe.



1. POSITION DE TRAVAIL – Gardez une assise correcte et un bon équilibre et n'essayez pas de couper trop loin. Portez des lunettes de sécurité, des chaussures anti-dérapantes et des gants en caoutchouc lors de la taille. Tenez l'outil fermement des deux mains et mettez-le en marche. Tenez toujours le taille-haie comme indiqué, avec la main droite sur la poignée à contacteur et la main gauche sur l'avant. Ne tenez jamais l'outil par le carter de protection. Conservez l'appareil au-dessous du niveau de la taille.



4. TAILLE LATÉRALE DES HAIES – Commencez par le bas et balayez vers le haut.



ENTRETIEN

Si la tondeuse à fil tombe, vérifiez avec soin si elle est endommagée. Si la lame est tordue ou fendue, les poignées cassées ou si vous constatez d'autres problèmes pouvant affecter le fonctionnement de la tondeuse à fil, la pièce doit être réparée avant de réutiliser la tondeuse. Appelez notre service clientèle au 1-800-313-5111 pour obtenir de l'aide.

MISE EN GARDE : Ne laissez jamais de liquide de frein, d'essence, de produits à base de pétrole, d'huiles pénétrantes, etc. entrer en contact avec les pièces en plastique. Ces substances contiennent des produits chimiques pouvant endommager, affaiblir ou détruire le plastique.

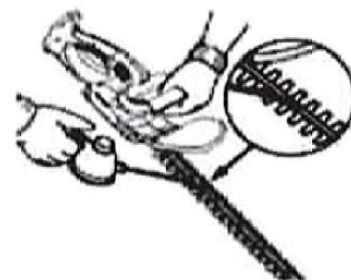
Assurez-vous que l'outil est débranché de la source d'alimentation et n'utilisez ensuite que du savon doux et un chiffon mouillé pour le nettoyer. Ne laissez jamais de liquide entrer dans l'outil. N'immergez jamais une partie de l'outil dans du liquide.

IMPORTANT : pour garantir la SÉCURITÉ et la FIABILITÉ du produit, les réparations, l'entretien et le réglage doivent être effectués par une personne qualifiée qui utilise toujours des pièces de rechange identiques.

Les lames de coupe sont fabriquées en acier trempé de haute qualité et, dans le cadre d'une utilisation normale, elles ne nécessitent pas d'affûtage. Toutefois, si vous touchez accidentellement une clôture, une pierre, du verre ou d'autres objets durs, la lame peut être endommagée. Il n'est pas nécessaire d'éliminer cette entaille, tant qu'elle n'interfère pas avec le mouvement de la lame. En cas d'interférences, assurez-vous que l'appareil est débranché de l'alimentation électrique et utilisez une lime fine ou une pierre à aiguiser pour éliminer l'entaille.

Les engrais et autres produits chimiques de jardinage contiennent des agents qui accélèrent fortement la corrosion des métaux. Ne rangez pas l'outil sur ou à côté d'engrais ou de produits chimiques.

GRAISSER LES LAMES – Arrêtez l'appareil et débranchez le cordon d'alimentation. Enlevez ensuite les débris des lames. Appliquez une huile légère pour machines sur le tranchant des supports de lames supérieurs et inférieurs. Assurez-vous que les poignées restent propres et sèches.



DÉPANNAGE

Problème	Cause possible	Solution possible
– L'appareil ne fonctionne pas	– La rallonge n'est pas branchée sur la prise	– Vérifiez si la rallonge est complètement raccordée à l'outil
	– Le câble n'est pas branché sur la source d'alimentation	– Vérifiez si la rallonge est complètement raccordée à une prise sous tension
	– Gâchette non complètement activée	– Vérifiez que le déverrouillage est à fond vers l'avant avant d'activer la gâchette
– Fonctionnement lent, lames bruyantes ou chaudes	– Lames sèches ou corrodées	– Graissez les lames
	– Lames ou support de lames tordus	– Graissez les lames. Redressez la lame ou le support de lames
	– Dents tordues ou endommagées	– Redressez les dents
	– Boulons de la lame desserrés	– Serrez les boulons de la lame

RÉPARATION

Pour les pièces ou la réparation, veuillez appeler le 1-800-313-5111 ou visitez-nous en ligne au www.americanlawnmower.com. Veuillez fournir toute l'information pertinente lorsque vous nous appelez ou nous rendez visite.

PIÈCES DE RECHANGE (KITS/ ARTICLES)

Le numéro de modèle/ de série de cet outil se trouve sur une plaque ou une étiquette fixée au bâti. Notez votre numéro de série dans l'espace prévu ci-dessous.

NUMÉRO DE MODÈLE HT10117

NUMÉRO DE SÉRIE _____

APPELEZ-NOUS D'ABORD!!

Appelez-nous d'abord pour toute question concernant le fonctionnement ou la maintenance de votre produit au 1.800.313.5111 entre 8h00 et 17h00, heure normale de l'Est, ou obtenir de l'aide sur www.americanlawnmower.com.



MANUEL DE L'UTILISATEUR HT10117 TAILLE-HAIE ÉLECTRIQUE

Droit d'auteur. Tous droits réservés.

POLITIQUE DE GARANTIE

Garantie limitée de deux (2) ans sur l'équipement électrique d'extérieur Earthwise.

Earthwise garantit au propriétaire d'origine que tout nouveau produit et toute nouvelle pièce de remplacement est exempt(e) de défaut de matériau et de fabrication et s'engage en vertu de la présente garantie à réparer ou à remplacer tout produit défectueux ou toute pièce défectueuse à compter de la date d'achat d'origine pendant la période de garantie à l'exception des conditions et des circonstances indiquées ci-dessous.

Cette garantie s'applique seulement à l'acheteur d'origine dans un magasin de ventes au détail et ne peut être transférée.

La garantie s'applique si le produit est utilisé pour usage personnel, domestique ou familial. La garantie est nulle si le produit est utilisé à des fins commerciales, industrielles ou locatives.

La garantie n'inclut pas les réparations nécessaires à cause de la négligence ou de l'abus de l'opérateur (y compris la surcharge du produit au-delà de sa capacité ou son immersion dans l'eau), ou l'échec à assembler, opérer, entretenir ou entreposer le produit selon les instructions dans le manuel de l'opérateur.

Cette garantie n'est pas transférable et s'applique seulement au produit vendu directement d'un fournisseur autorisé. Cette garantie ne s'applique pas à tout produit, neuf ou usagé, acheté par le biais de canaux tiers non-autorisés.

TOUT DOMMAGE, PERTE OU FRAIS CONSÉCUTIF, INDIRECT OU CONSÉQUENT QUI POURRAIT RÉSULTER D'UN DÉFAUT, D'UNE DÉFAILLANCE OU D'UN DYS FONCTIONNEMENT DU PRODUIT N'EST PAS COUVERT PAR LA GARANTIE. Certains États ne permettent pas l'exclusion ou la limitation de la durée d'une garantie implicite. Les restrictions ci-dessus peuvent donc ne pas s'appliquer.

Une preuve d'achat, original du reçu de vente daté, doit accompagner toute réclamation de garantie.

Les produits vendus endommagés ou incomplets, vendus « tels quels », ou vendus remis en état, ne sont pas couverts par cette garantie.

Les dommages ou responsabilités provoqués par le transport, une mauvaise manipulation, un mauvais assemblage, une tension ou un câblage incorrect, une mauvaise maintenance, une modification incorrecte ou l'utilisation d'accessoires ou d'outils non spécifiquement recommandés n'est pas couvert par cette garantie.

Les items consommables qui s'usent lors d'une utilisation normale ne sont pas couverts par la garantie.

La garantie ne couvre pas la détérioration normale de la finition extérieure, y compris, sans s'y limiter, aux égratignures, aux éclats de peinture entaillée ou à toute corrosion ou décoloration causée par la chaleur, les abrasifs et les nettoyeurs chimiques.

La garantie n'inclut pas l'installation, l'assemblage ou les réglages normaux expliqués dans le manuel de l'utilisateur.

Les frais de livraison du produit au vendeur ou les frais de retourner le produit ou les pièces de rechange au propriétaire ne sont pas couverts par la garantie.

La garantie ne couvre pas la détérioration normale de la finition extérieure, y compris, sans s'y limiter, aux égratignures, aux éclats de peinture entaillée ou à toute corrosion ou décoloration causée par la chaleur, les abrasifs et les nettoyeurs chimiques.



American Lawn Mower Company
The Great States Corporation
7444 Shadeland Station Way
Indianapolis, IN 46256 États-Unis
Téléphone 1-800-313-5111
www.americanlawnmower.com

Dans le cadre d'un engagement vis-à-vis de l'amélioration de la qualité, le fabricant se réserve le droit de modifier des pièces ou la conception de ce produit.

RÉV LE 11/09/2018