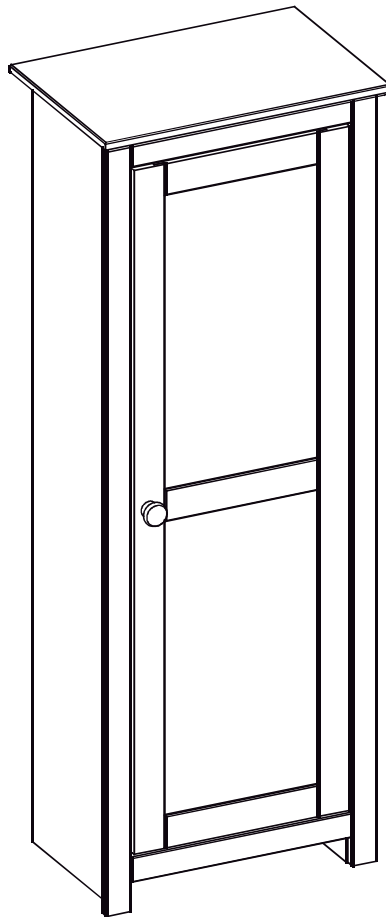


USE AND CARE GUIDE

UNFINISHED STORAGE CABINET



Questions, problems, missing parts?
Before returning to the store, call Customer Service.
8 a.m. - 7 p.m., EST, Monday - Friday, 9 a.m. - 6 p.m., EST, Saturday

1-877-527-0313

HOMEDEPOT.COM

THANK YOU

We appreciate the trust and confidence you have placed in StyleWell through the purchase of this Storage Cabinet . We strive to continually create quality products designed to enhance your home. Visit us online to see our full line of products available for your home improvement needs. Thank you for choosing StyleWell!

Table of Contents

Table of Contents	2	Assembly	11
Pre Assembly	3	Assembly	12
Pre Assembly	4	Assembly	13
Assembly	5	Assembly	14
Assembly	6		
Assembly	7		
Assembly	8		
Assembly	9		
Assembly	10		

Safety Information

DANGER

- Keep small parts away from children during assembly.
- Read and follow instructions carefully.

WARNING

- Read these instructions carefully and keep in a safe place.
- TO GUARANTEE THE SAFE USE OF THIS PRODUCT, FOLLOW THE WARNINGS, GUIDELINES AND RECOMMENDATIONS IN THIS MANUAL.
- Adult assembly required.
- Small parts may present choking hazard prior to assembly.
- Do not stand, step or climb on unit.
- Unit must be placed on a level surface or leveled with included hardware (when application).
- Do not sit on or allow children to climb, sit or stand on the assembled product.
- For safety reasons, it is imperative that this unit be mounted to the wall.
- Do not use without installing the tip restraint.
- Unit can tip over causing severe injury or death.
- Never open more than one drawer at a time.
- Do not exceed the recommended weight limits.
- Evenly distribute the weight on each level and always keep the heavier loads on the bottom.
- Before cutting, drilling or hammering into any wall or floor surface, verify the location of electrical, plumbing and gas lines. Cutting may cause serious injury.

CAUTION

- Do not use power tools to assemble your furniture. Power tools may strip or damage parts/product.
- Do not overtighten connectors (screws, bolts, etc.). Overtightening can lead to product damage.
- Be sure to check all packing materials carefully for small parts that may have come loose inside the carton during shipment. If parts are missing, contact THE HOME DEPOT to obtain any missing parts.
- DO NOT USE SUBSTITUTE PARTS.
- This product should only be used on a flat, level surface.
- Product is designed to hold 10 Kg. Exceeding this limit may damage the product or cause injury to the user.

Warranty

1 YEAR WARRANTY

WHAT IS COVERED

We guarantee this product to be free of manufacturing defects to the original purchaser for one year.

WHAT IS NOT COVERED

This warranty does not cover commercial use, acts of nature, and abusive use.

Pre-Assembly

PLANNING ASSEMBLY

Read all instructions before assembly.

To avoid damaging this product, assemble it on a soft, non-abrasive surface such as carpet or cardboard.



NOTE: More than one person may be required to assemble this product.

TOOLS REQUIRED



Safety goggles



Phillips screwdriver



Hammer

HARDWARE INCLUDED



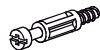
NOTE: Hardware not shown to actual size.



AA



BB



CC



DD



EE



FF



GG



HH



II



JJ



KK



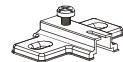
LL



MM



NN



OO

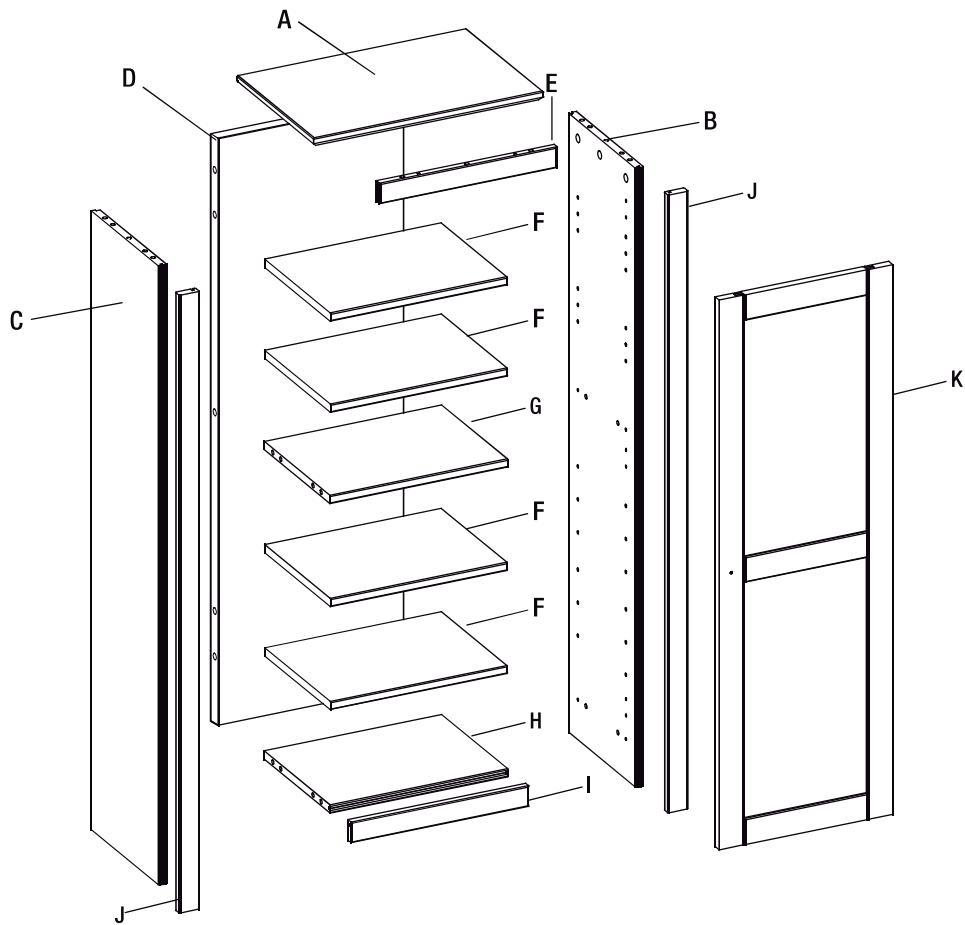


PP

Part	Description	Quantity
AA	8X30 Wooden dowel	19
BB	3.5x30 Screw	1
CC	6X44 Screw mini-fix	22
DD	14x10 Case mini-fix	22
EE	4.0x40 Screw	3
FF	19x20 Nail in caps	4
GG	4.0x16 Screw	13
HH	100x5 Plastic profile	10
II	6x12 Shelf Support	16
JJ	26mm Hinge	3
KK	16x5 Washer	2
LL	6x20 Wall plastic dowel	1
MM	26mm Knob	1
NN	120mm Wall Strap	1
OO	12mm Hinge Support	3
PP	Glue	1

Storage Cabinet Assembly

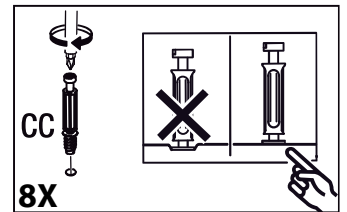
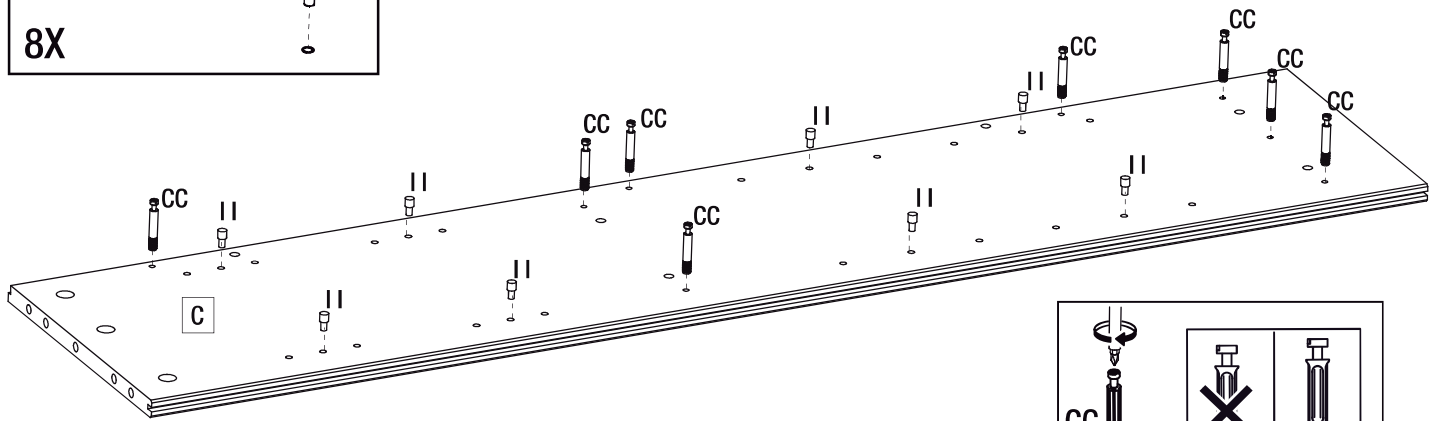
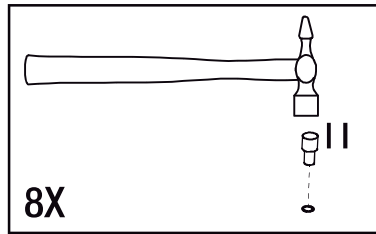
PACKAGE CONTENTS



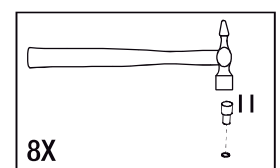
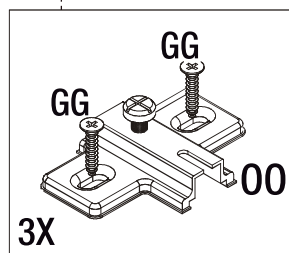
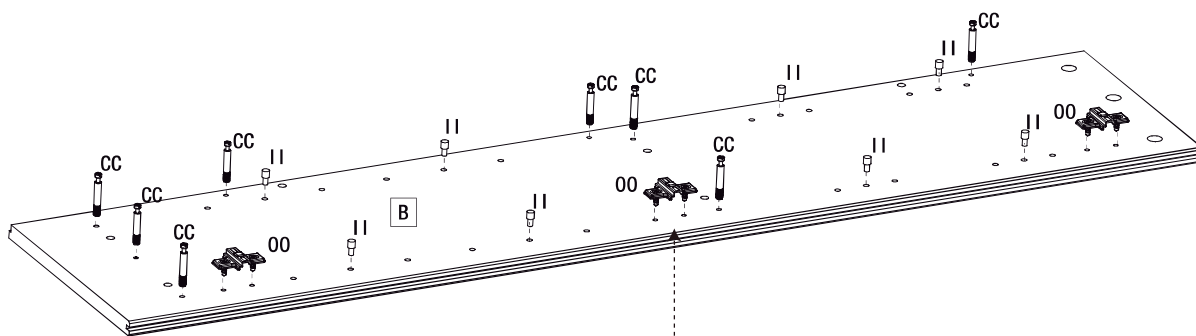
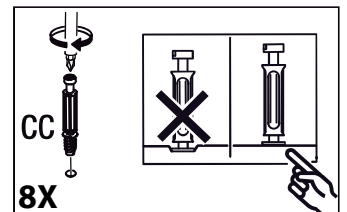
Part	Description	Quantity
A	Top Panel	1
B	Right Side	1
C	Left Side	1
D	Back Panel	1
E	Rail Front	1
F	Shelf	4
G	Center Shelf	1
H	Base Panel	1
I	Rail	1
J	Side Rail	2
K	Door	1

Storage Cabinet Assembly

1 Placing the Fittings in the Left Side Panel

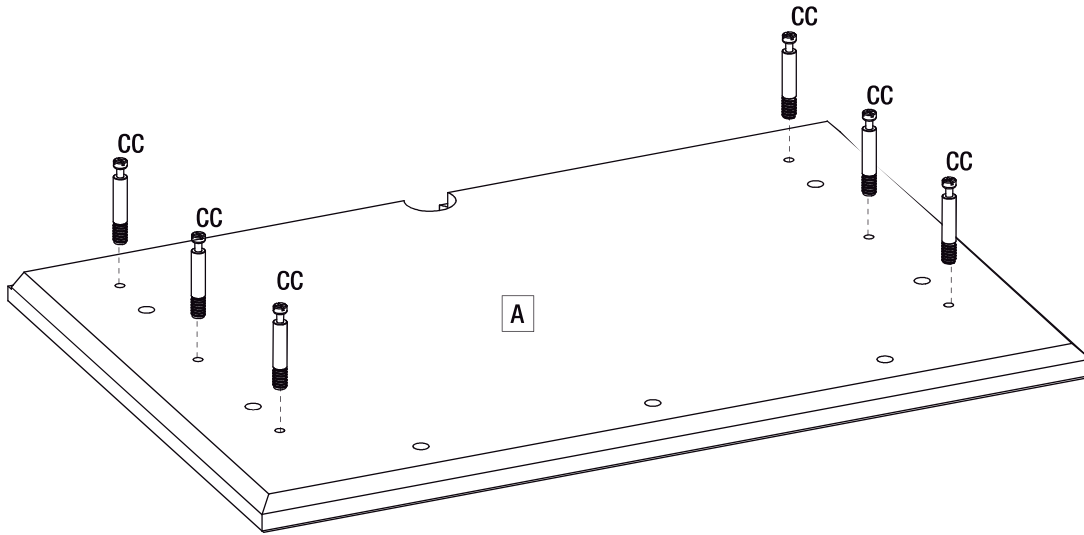
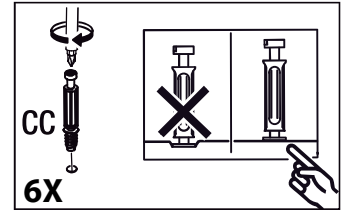


2 Placing the Fittings in the Right Side Panel

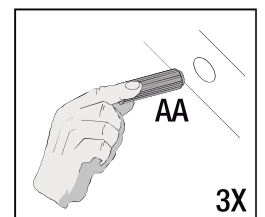
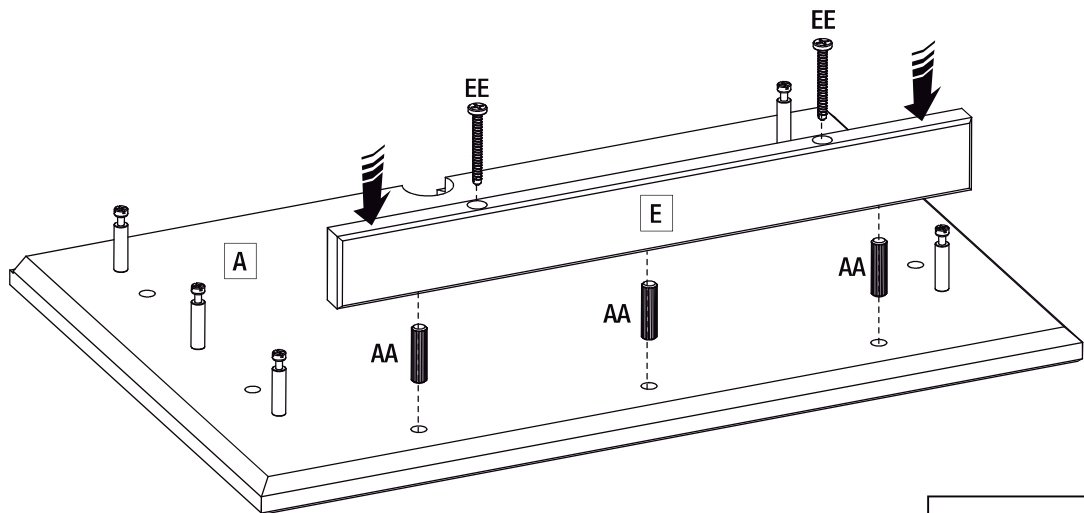
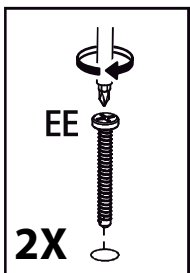


Storage Cabinet Assembly

3 Placing the Fittings on the Top Panel

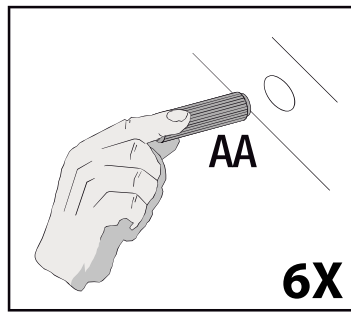
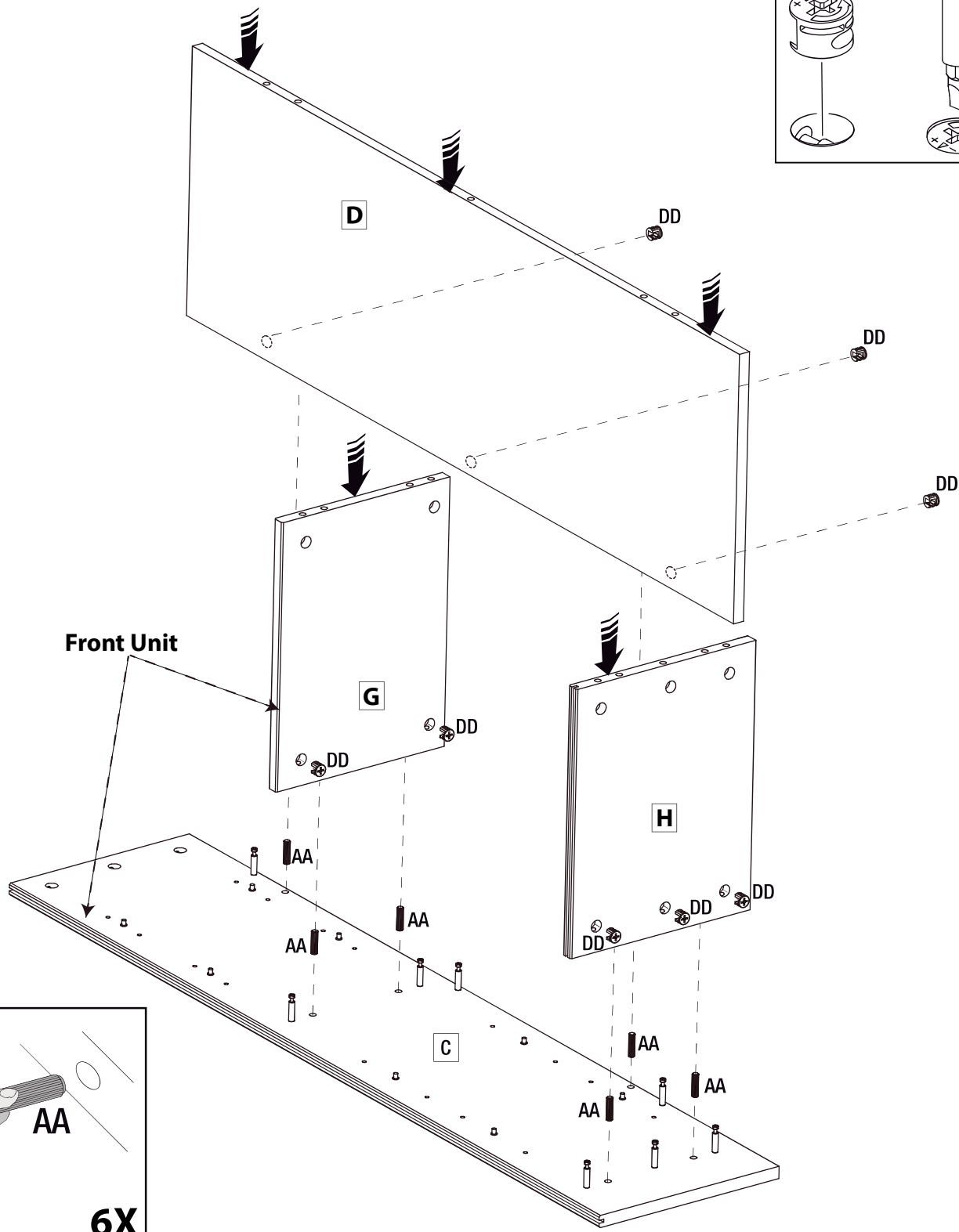
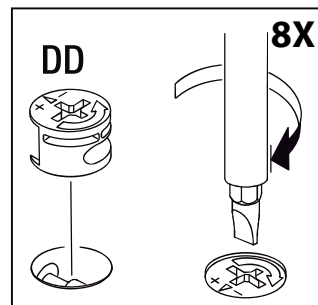


4 Attaching the rail on the top panel



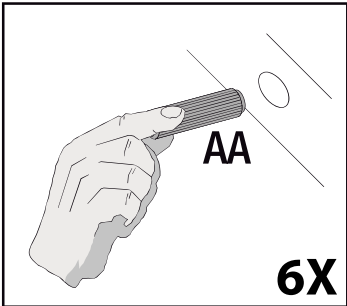
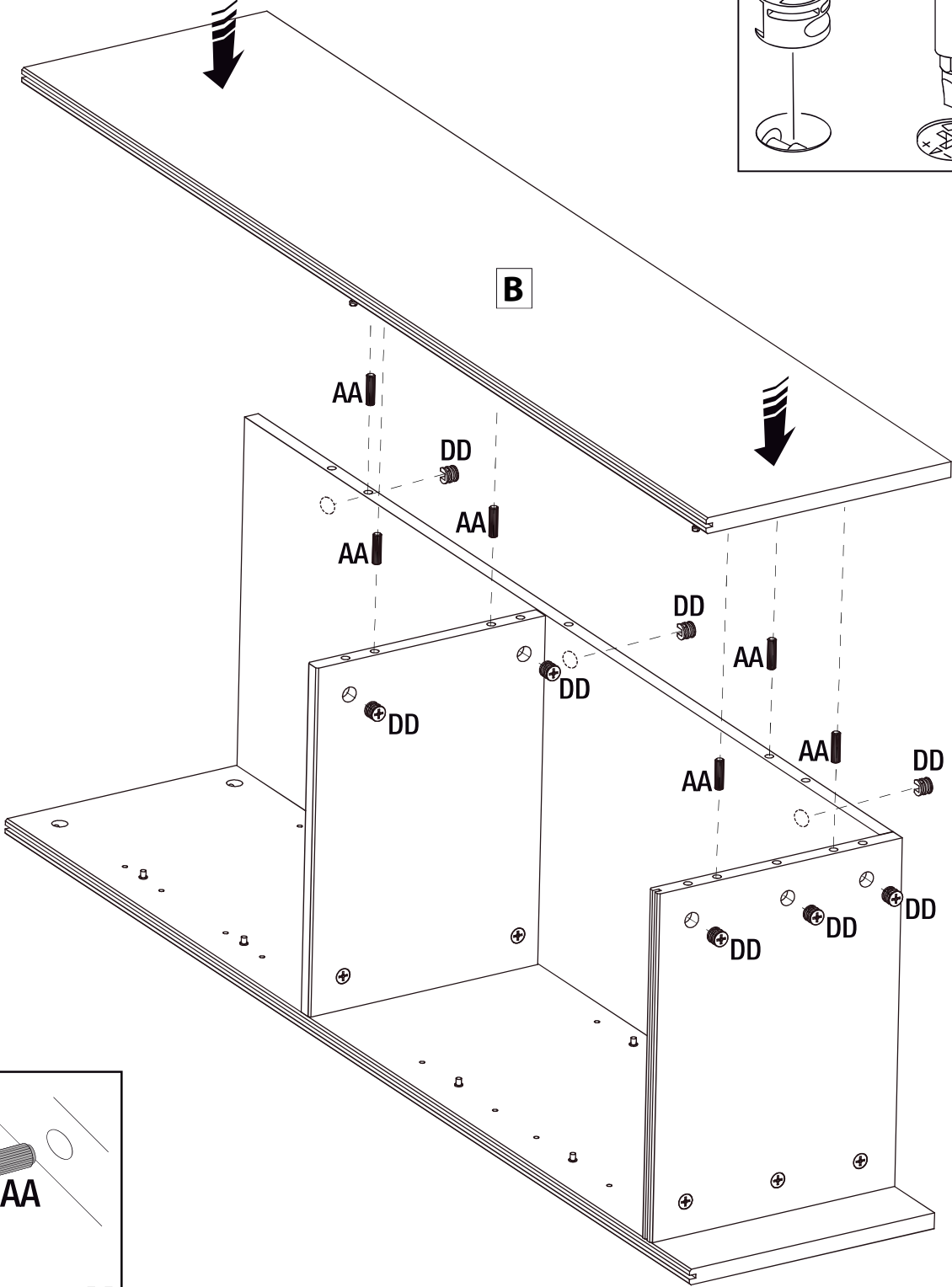
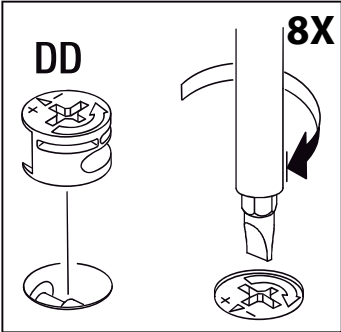
Storage Cabinet Assembly

5 Attaching the center shelf, base panel and the back panel to the left side panel



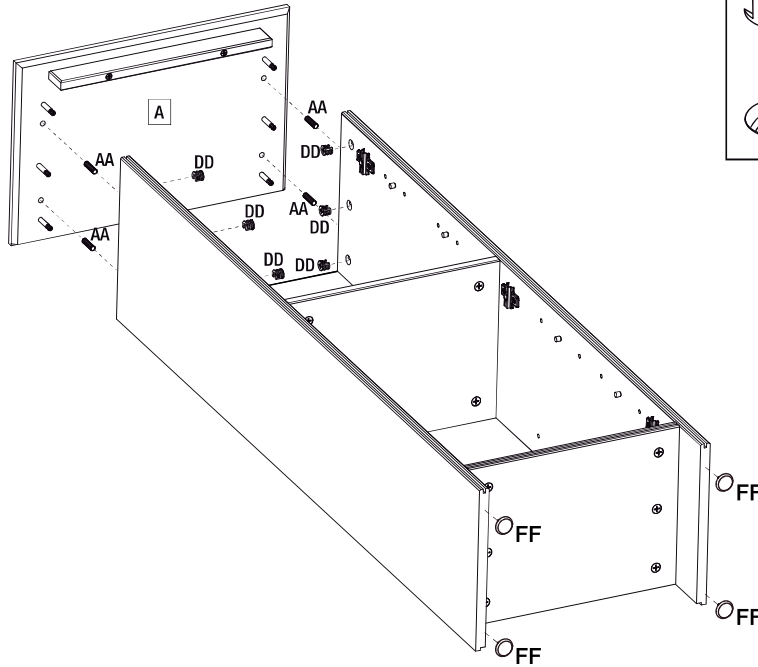
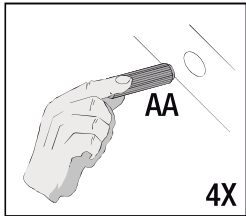
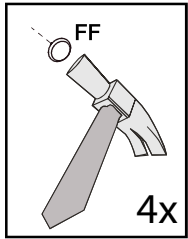
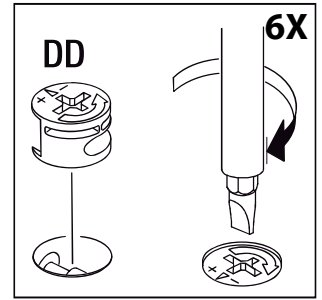
Storage Cabinet Assembly

6 Attaching the right side panel to the center shelf, base panel and back panel

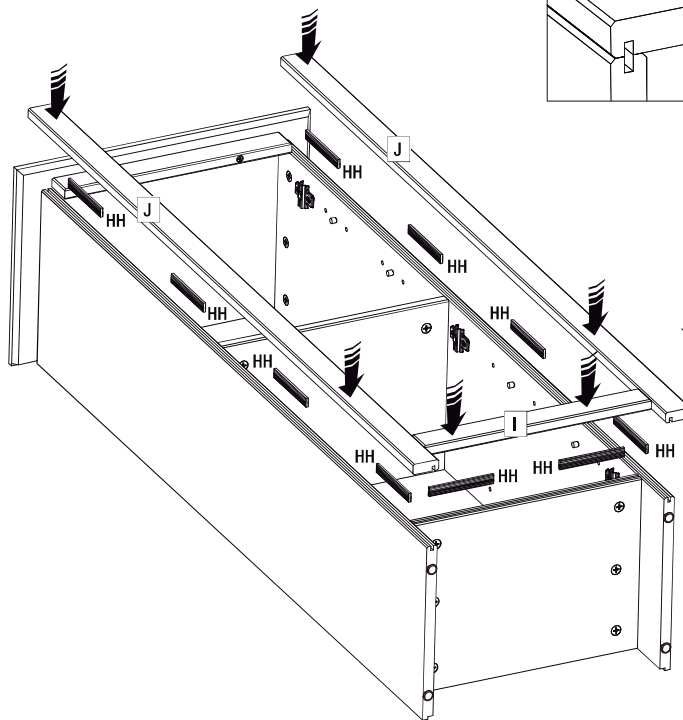
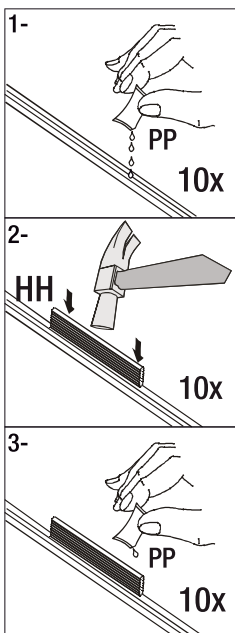
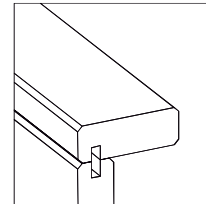


Storage Cabinet Assembly

7 Attaching the top panel and placing the floor protection on the side panel



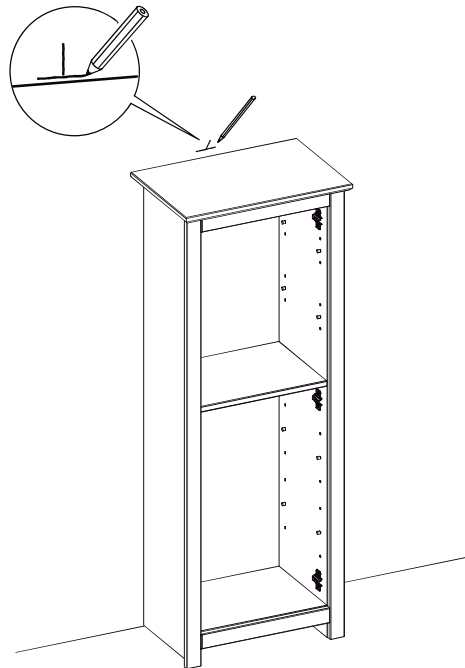
8 Attaching the side rails and rail to the cabinet



Storage Cabinet Assembly

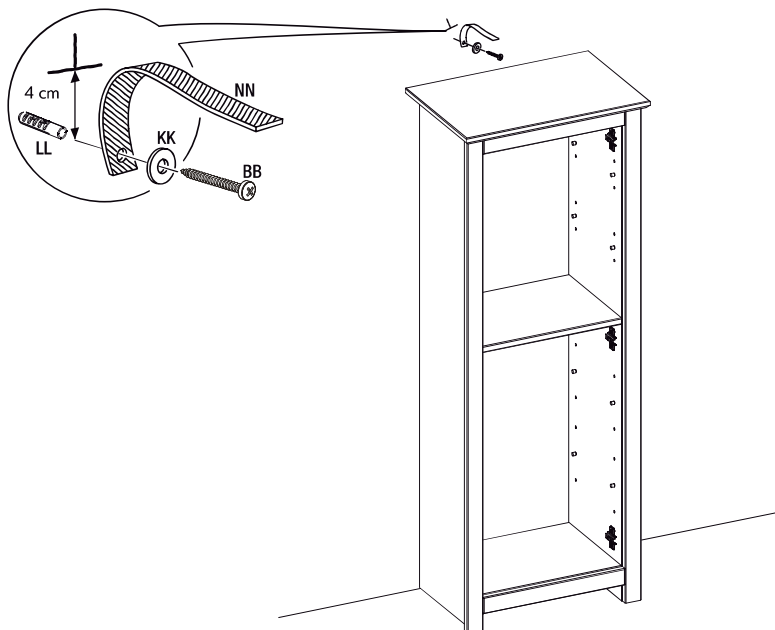
9 Marking the tipover restraint

- **Important:** Position the furniture into place and make a mark to the wall, as shown



10 Placing the Tipover Restraint on the wall

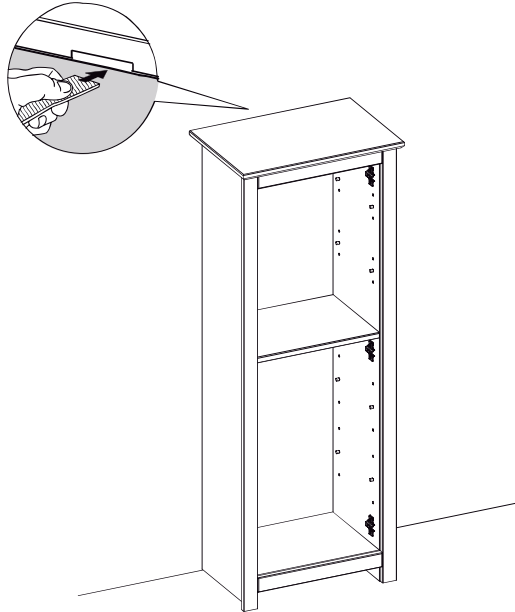
- **Important:** With help, carefully move the furniture away to access the mark in the wall. Drill hole on wall 4cm below the mark, as shown in the diagram.
- **Important:** Before drilling, check wall for hidden pipes and cables.



Storage Cabinet Assembly

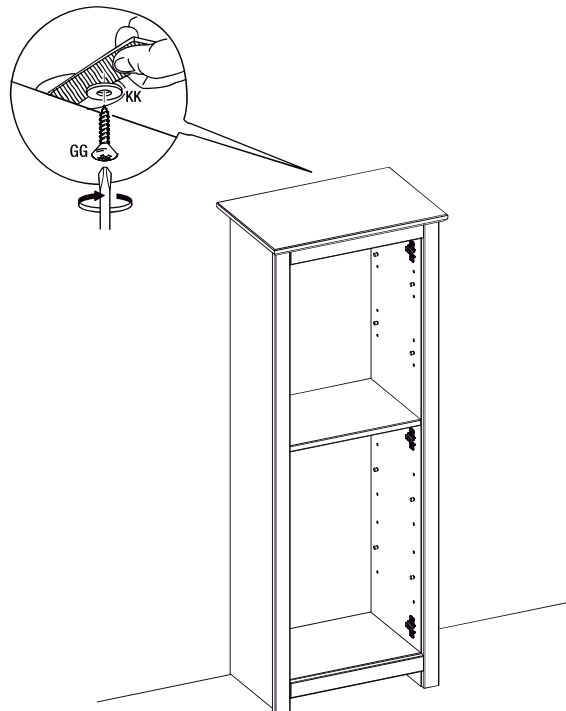
11 Placing the Tipover Restraint on the cabinet

- **Important:** With help, carefully move the furniture back to position and insert wall strap into slot on the top panel as shown.



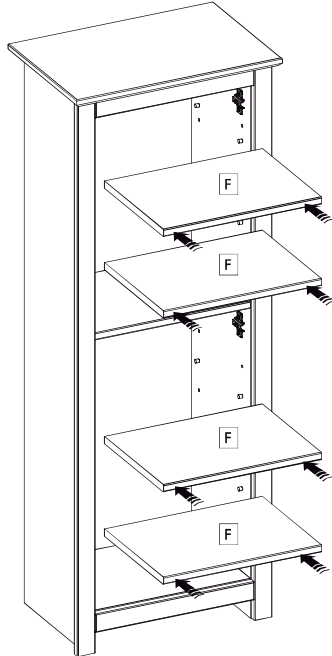
12 Placing the Tipover Restraint on the cabinet

- **Important:** Inside the cabinet, hold wall strap in position and fix it using washer and screw, as shown.

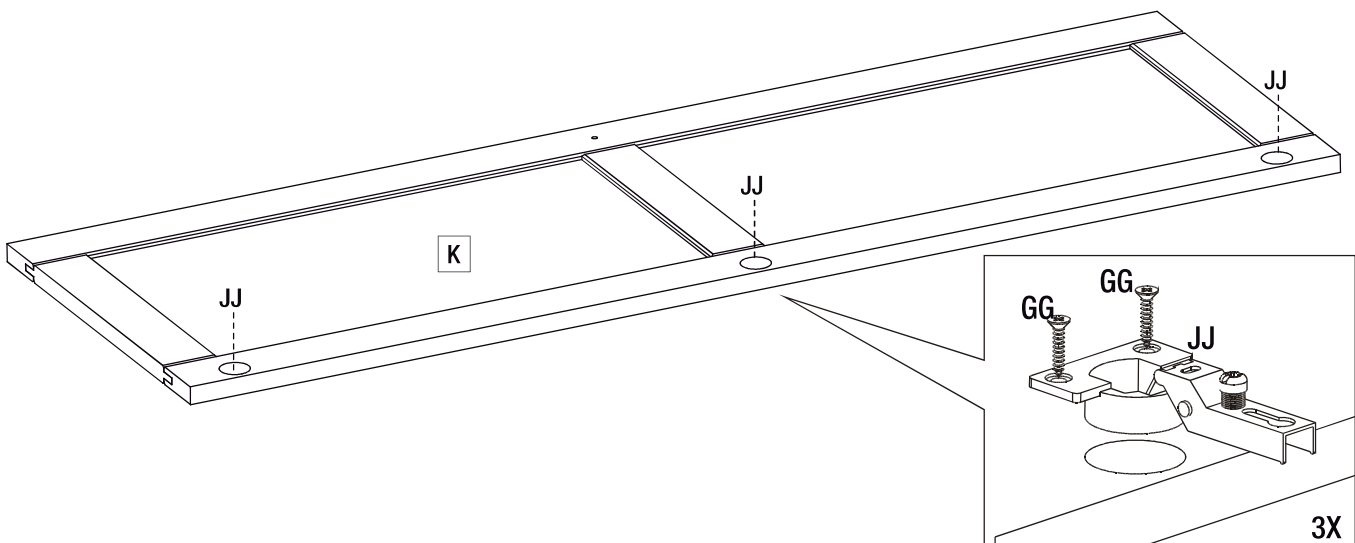


Storage Cabinet Assembly

13 Adding the adjustable shelves to the cabinet

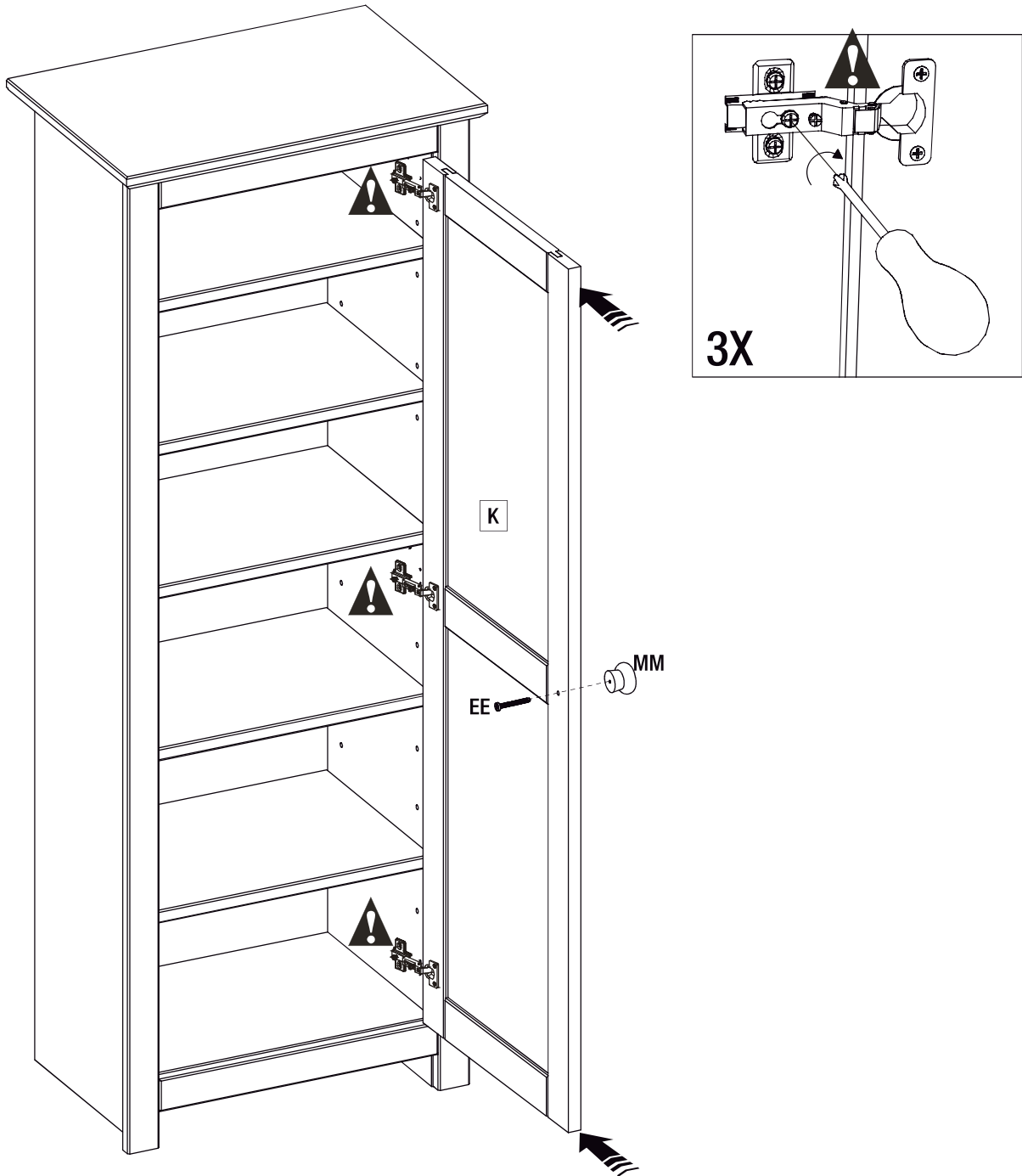


14 Adding the hinges to the doors



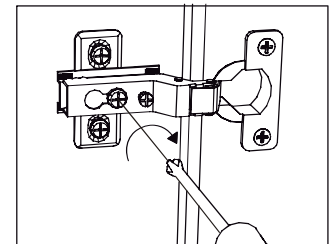
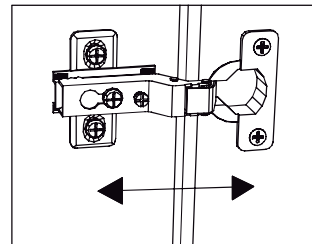
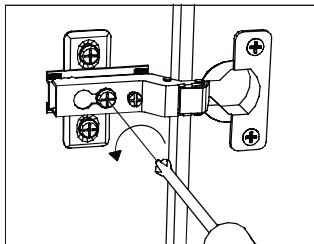
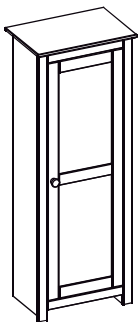
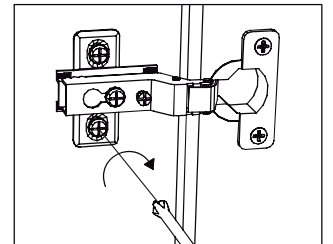
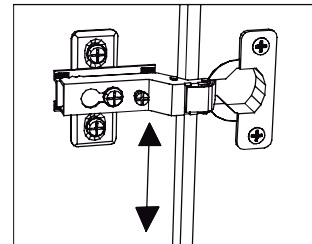
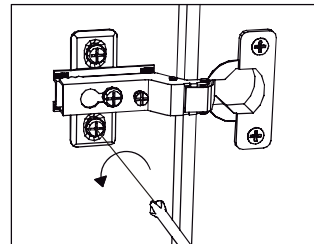
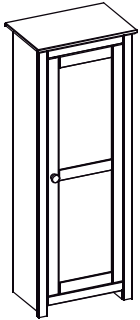
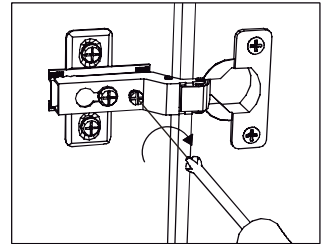
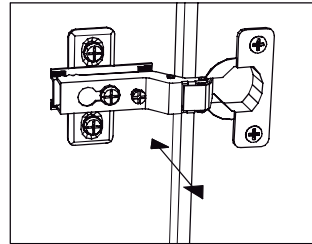
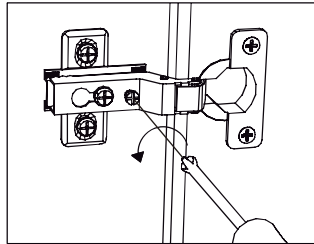
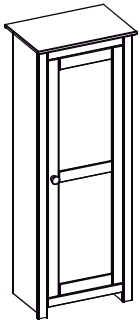
Storage Cabinet Assembly

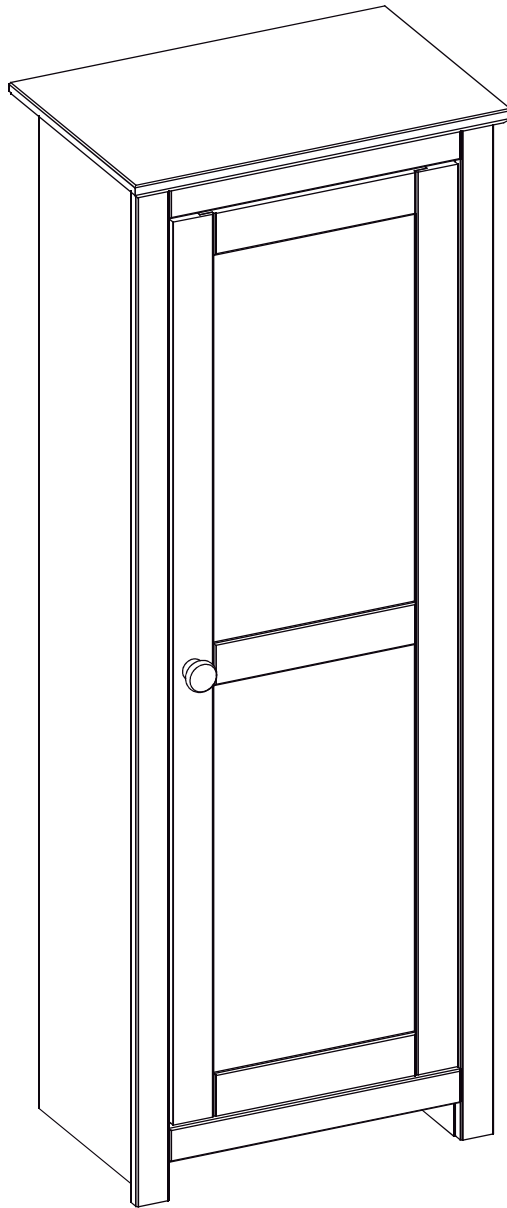
15 Attaching the door to the cabinet



Storage Cabinet Assembly

16 Regulating the door hinges





Care and Cleaning

- For best results, clean the furniture with a damp cloth and dry thoroughly. This will help prevent mildew by removing dirt particles that may accumulate.
- Do not clean with abrasive materials, bleach, or solvents.
- Store the furniture in a dry, sheltered place when not in use.
- Keep the furniture away from fire, extreme heat, freezing conditions, and inclement weather such as rain, hail, sleet, snow, or wind.

StyleWell.™

Questions, problems, missing parts?
Before returning to the store, call Customer Service.
8 a.m. - 7 p.m., EST, Monday - Friday, 9 a.m. - 6 p.m., EST, Saturday

1-877-527-0313

HOMEDEPOT.COM

Retain this manual for future use.