

# Granite Composite Kitchen Sink



## Installation Guide: Kitchen Drop-In Sink

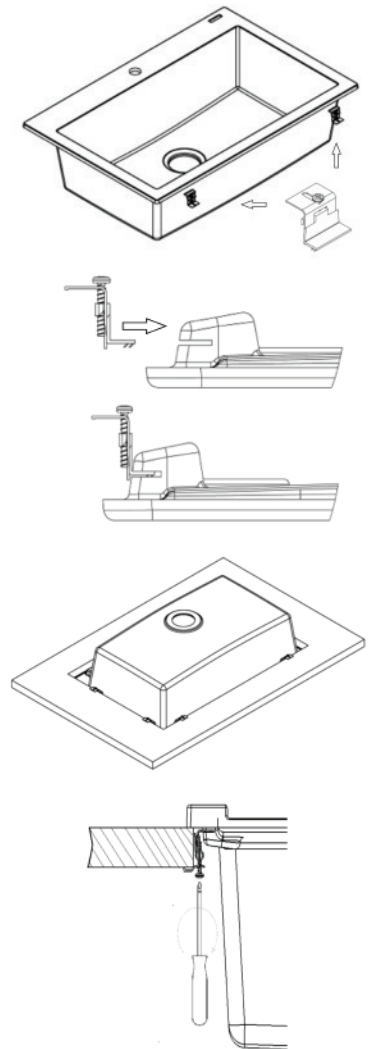


Drop-In sinks are designed to be easy to install in a wide range of countertop materials. Sinkology granite composite sinks make updating your kitchen design effortless.

**Hardware Included:**  
8 Clips

Single-Bowl Models: #SK600-33GY, #SK600-33BL, #SK600-33WH  
Double-Bowl Models: #SK601-33GY, #SK601-33BL, #SK601-33WH

1. Flip sink upside down and trace the outside edge onto craft paper or cardboard to make your own install template. Add a second line that is 1/2" inch inside that line. Cut out the traced template using the second line.
2. Position the template flat on the countertop and align with cabinet and plumbing connections.
3. Mark openings and cut the countertop. Always double check the sink for fit inside the hole before moving on.
4. Before dropping your new sink into the countertop for the last time apply a thick bead of Sinkology clear neutral cure 100% silicone around the hole on the countertop to form a water tight seal around the sink. See our Complete Silicone Installation Kit (#SINSTALL-101).
5. Install hardware. *See diagrams.*
6. Claws can be bent to accommodate larger or smaller gaps. Tighten evenly until all of the clamps grasp the underside of the countertop firmly and securely.
7. Install drains.
8. For a professional look apply a thin bead of Sinkology clear neutral cure 100% silicone around the rim.
9. For regular maintenance simply wash with gentle soap and water.
10. Register your new sink at [sinkology.com/registration](https://sinkology.com/registration).



See reverse for **Faucet Hole Options**

©SINKOLOGY 2018

SINKOLOGY.COM

SINKOLOGY™



# Granite Composite Kitchen Sink



## Faucet Hole Knock-Out



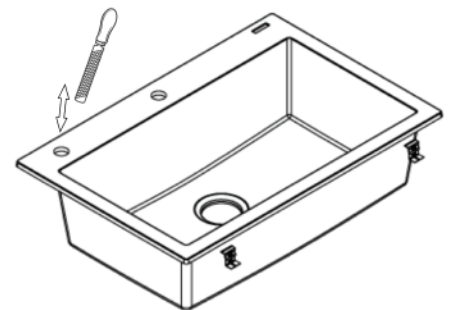
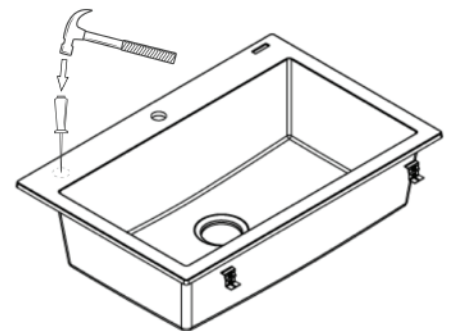
Sinkology Granite Composite Kitchen Sinks (single and double-bowl) come 4 additional optional knock-outs to allow for a variety of faucet options.

### Recommended Tools:

- Eye + Ear Protection
- Half-Round File
- Center Punch
- Hammer

*Be Safe! Wear the gear and use the tools we recommend.*

1. Place the sink on a sturdy work table or area, support the outside rim of the sink with wood blocks. To strike the knockouts from the top, you will need the inside of the sink facing upright or out.
2. Align the pointed end of the center punch to the center of the knockout and strike with a hammer. This will push the knockout from the edge of the sink. Repeat this procedure to remove any additional knockouts.
3. Check the size of the knockout with your faucet. If additional room is needed, use a half-round file to increase the hole size until the faucet rests against the sink edge.



## The Sinkology Everyday Promise™

Sinkology is proud of the products we create, and we want you to love them: every day, every year, for life. The Sinkology Everyday Promise is our lifetime guarantee that your Sinkology product will withstand normal daily residential use and will always perform to your satisfaction.

At Sinkology, we carefully handcraft our products to handle the bumps, drops, and messes that come with daily life. We make products our own families love, and we create products that can withstand the creativity, lifestyle, and needs of a busy household.

This is our promise to you.



Everyday Promise™  
Lifetime Warranty

SINKOLOGY.COM

SINKOLOGY™

