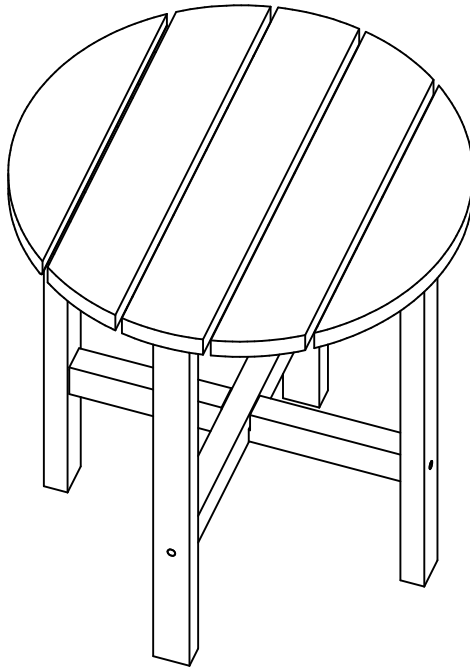


# INSTRUCTION MANUAL



**Altura Round 18" Side Table**  
**SKU: OP8003**

V1.0

## ! NOTICE

### Do not overtighten bolts. (Insert all bolts before tighten bolts.)

- Please do not exceed the weight limitations of this item.
- Do not stand on or use any part of this item as a step ladder.
- Firmly secure all bolts, screws and nuts before use.
- Reconfirm that all bolts, screws, and nuts are secure every 90 days.
- Do not use or store this item in the proximity of open flame or flammable/combustible chemicals.
- Be aware that some parts are heavy and have sharp edges.

## TOOLS REQUIRED



ALLEN WRENCH  
(PROVIDED)



CHAIR  
180 LBS  
CAPACITY



1 PERSON  
ASSEMBLY



UP TO 15 MIN.  
ASSEMBLY

## HARDWARE

1

M6 x 40mm  
BOLT



8PCS

2

ALLEN  
WRENCH

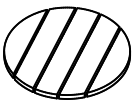


1 PC

## PARTS

A

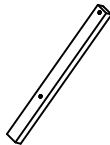
TABLETOP



1 PC

B

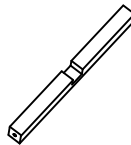
TABLE LEG



4PCS

C

CROSS FEET

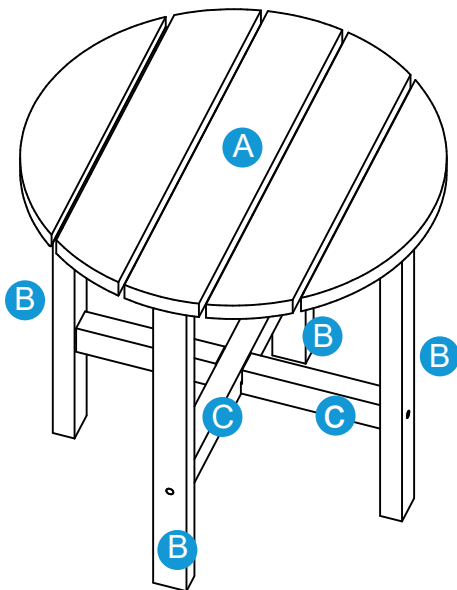


2 PCS

## PRODUCT ASSEMBLY - OVERALL VIEW

1

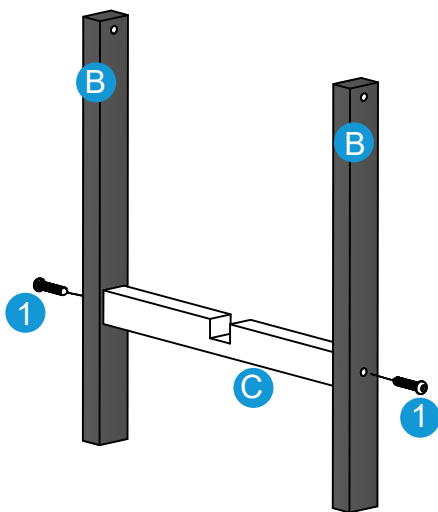
Look at following overall view of this chair and learn the exact position of each parts to be assembled.



## PRODUCT ASSEMBLY

1

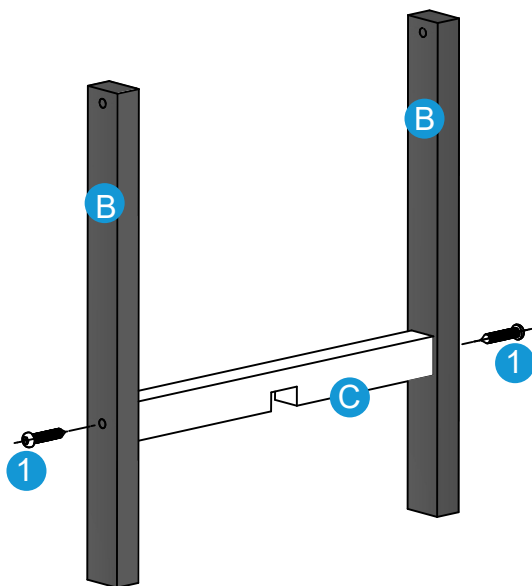
Attach part C Cross feet to 2 pcs of part B Table leg with 2 pcs of part 1 Bolt as picture.



## PRODUCT ASSEMBLY

2

Attach part C Cross feet to 2 pcs of part B Table leg with 2 pcs of part 1 Bolt as picture.



3

Place step 1 and step 2 part cross, then attach 4 pcs of part B table leg to part A table top with 4 pcs of part 1 Bolt.

Check and tighten all the bolts and screws again and finish the assembly.

