

# ELECTRIC WATER HEATER INSTALLATION KIT

3/4" Female Pipe Thread x 3/4" Female Pipe Thread



*Peace of Mind for the Professional Plumber*

## TECHNICAL DATA

**DESCRIPTION:** Electric Water Heater Installation Kit -

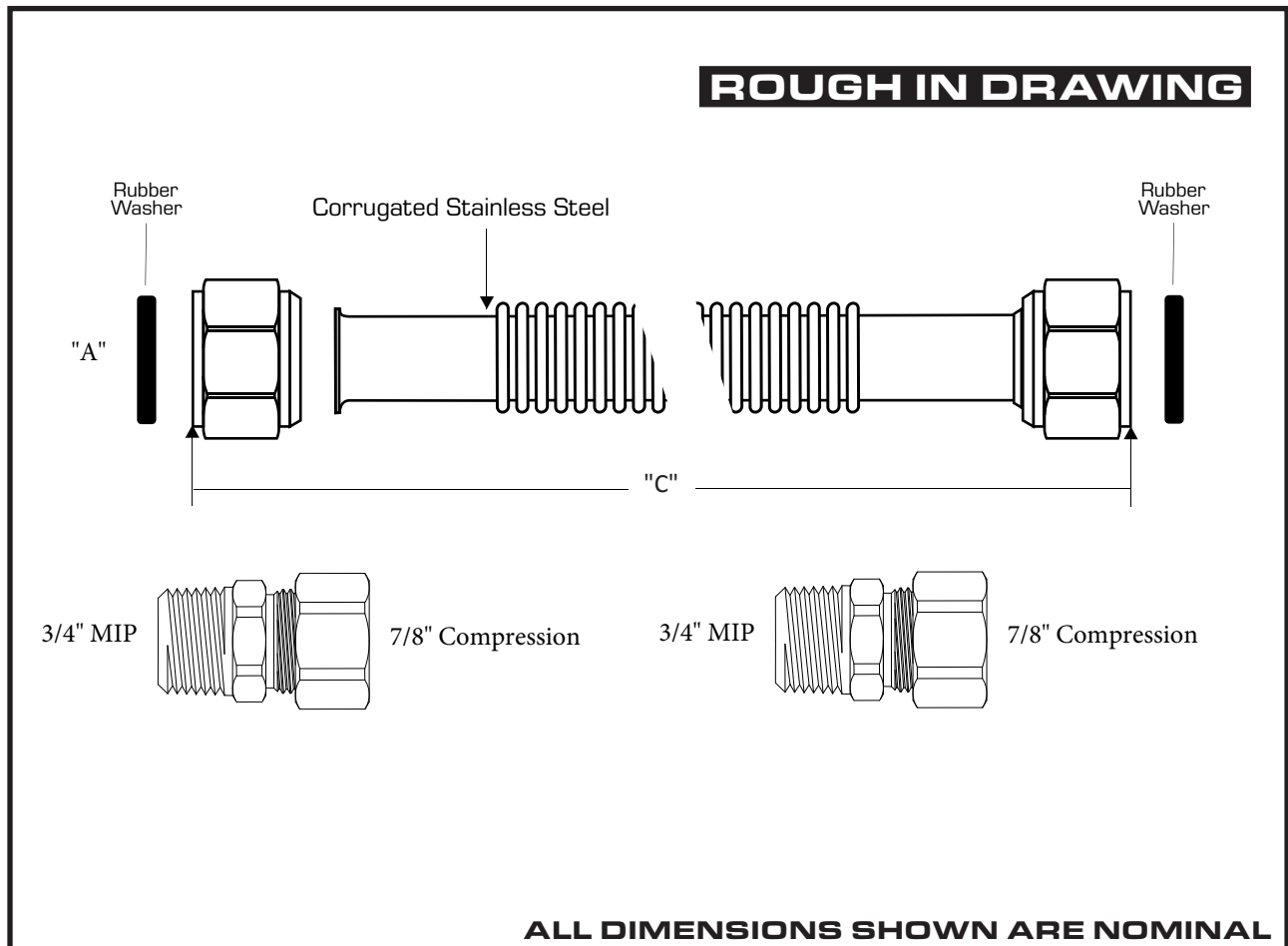
- (2) 18-in flexible water supply connectors
- (2) 7/8-Inch Compression by 3/4-Inch Male Pipe Thread Brass Adapter
- (1) Roll of sealing Teflon tape

**TECHNICAL SPECIFICATIONS:** Working Pressure - 180 PSI  
Burst Pressure - 1850 PSI  
Working Temperature - 40° F to 180° F  
Max Temperature - 180° F

PART#	"A"	"B"	"C"	Master	Pack	UPC
48281	3/4"FIP	3/4"FIP	18"	6	Clam	091712001188

Connectors are lead free and contain a weighted average lead content of ≤ 0.25%.

**MADE IN: Eastman Factory in China**



**ALL DIMENSIONS SHOWN ARE NOMINAL**