

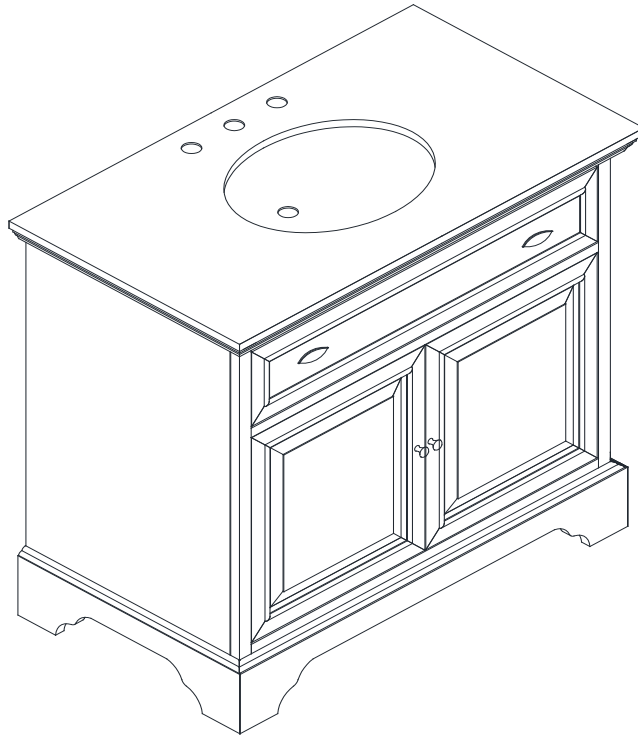
**HOME  
DECORATORS  
COLLECTION**

Item # 1002875199  
1002875200  
Model #MD-V1833  
MD-V1835

## USE AND CARE GUIDE

---

### SADIE 38 INCH VANITY MADE IN VIETNAM



Questions, problems, missing parts? Before returning to the store,  
call Home Decorators Collection Customer Service  
8 a.m. - 7 p.m., EST, Monday - Friday, 9 a.m.- 6 p.m., EST, Saturday

**1-800-986-3460**

**[HOMEDEPOT.COM/HOMEDECORATORS](http://HOMEDEPOT.COM/HOMEDECORATORS)**

---

**THANK YOU**

*We appreciate the trust and confidence you have placed in Home Decorators Collection through the purchase of this vanity. We strive to continually create quality products designed to enhance your home. Visit us online to see our full line of products available for your home improvement needs. Thank you for choosing Home Decorators Collection!*

# Table of Contents

Table of Contents.....	2	Installation.....	5
Safety Information.....	2	Maintenance.....	6
Warranty.....	2	Care and Cleaning .....	6
Pre-installation .....	3	Troubleshooting.....	6
Planning Installation .....	3	Service Parts .....	7
Vanity and Countertop Dimensions.....	3		
Tools Required.....	3		
Package Contents .....	4		

# Safety Information

- Please read and understand these instructions before attempting to assemble, install or use this product.



**WARNING:** Handle with care. Do not drop or handle roughly as this will damage the vanity.

# Warranty

This warranty applies to the distributor vanities installed for commercial and residential use. The distributor warrants that, when installed in accordance with the Recognized Plumbing Industry Practice, the vanities are free of manufacturing defects for a period of one (1) year from the date of purchase.

We guarantee your satisfaction with each vanity. Should any vanity not meet your satisfaction due to a visual defect, simply return it to your retailer with the original packaging, prior to installation, for a replacement.

This warranty applies only to the original purchaser and installation site and is not transferable.

# Pre-installation

## PLANNING INSTALLATION

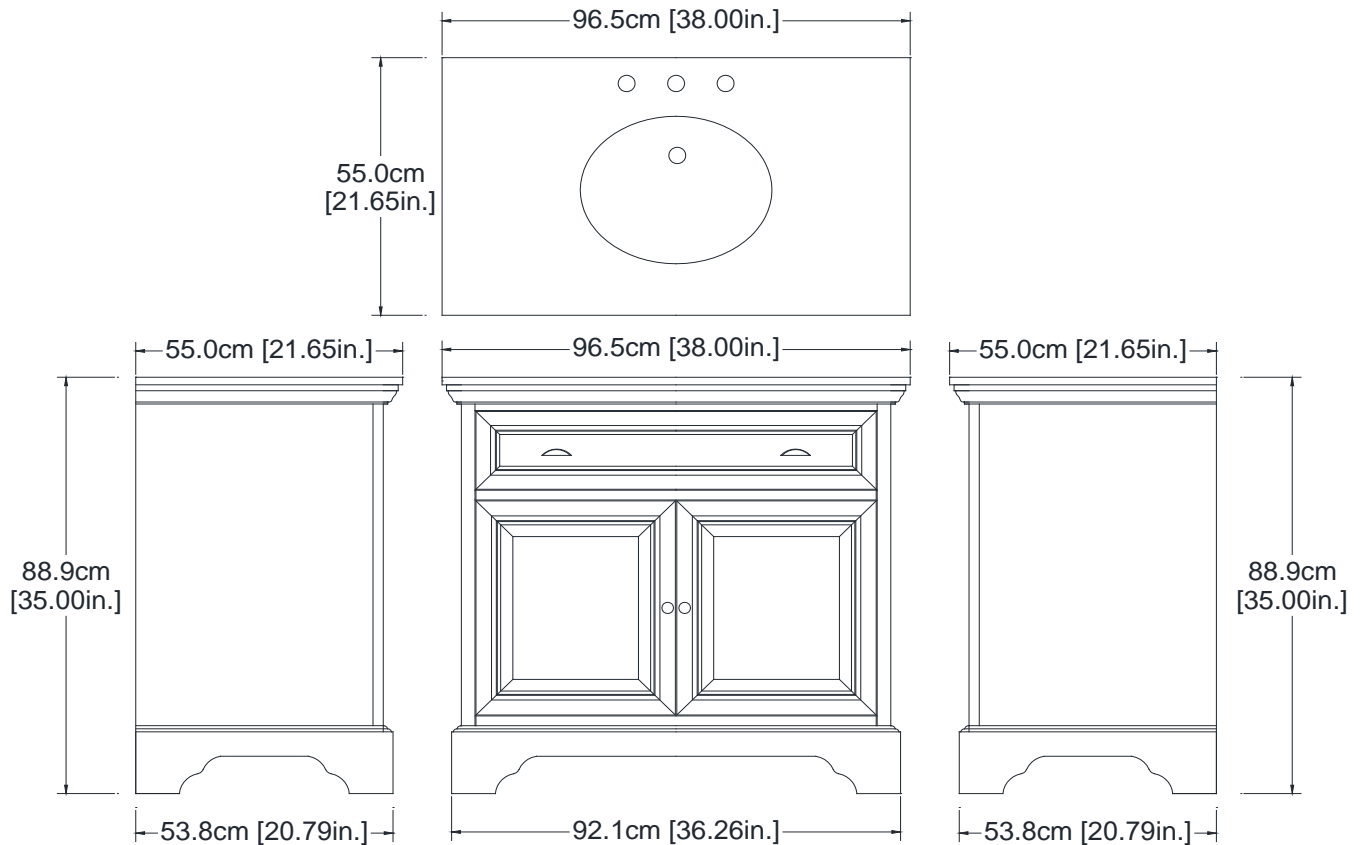
Check the vanity for damage before installation. If any part of the vanity is missing or damaged, contact the Customer Service Team at 1-800-986-3460.

Ensure that the vanity location is accessible to water supply and drain lines. It is recommended that you rough-in the water lines and drain before installing the vanity.

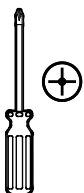


**NOTE:** A drain pipe and trap are not included with this vanity.

## VANITY AND COUNTERTOP DIMENSIONS



## TOOLS REQUIRED



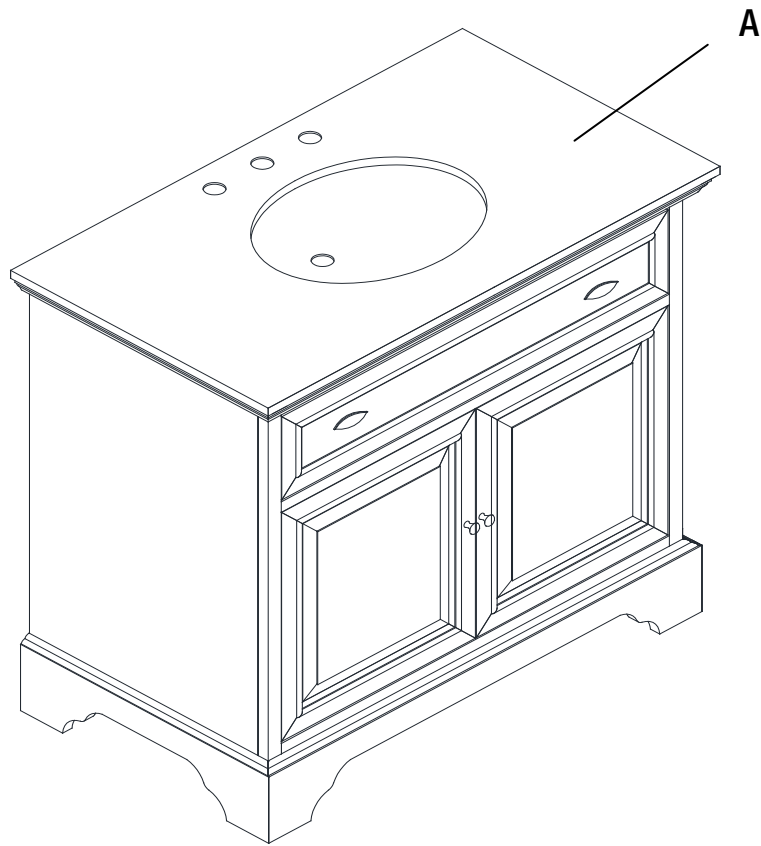
Phillips  
screwdriver



Level

# Pre-Installation (continued)

## PACKAGE CONTENTS

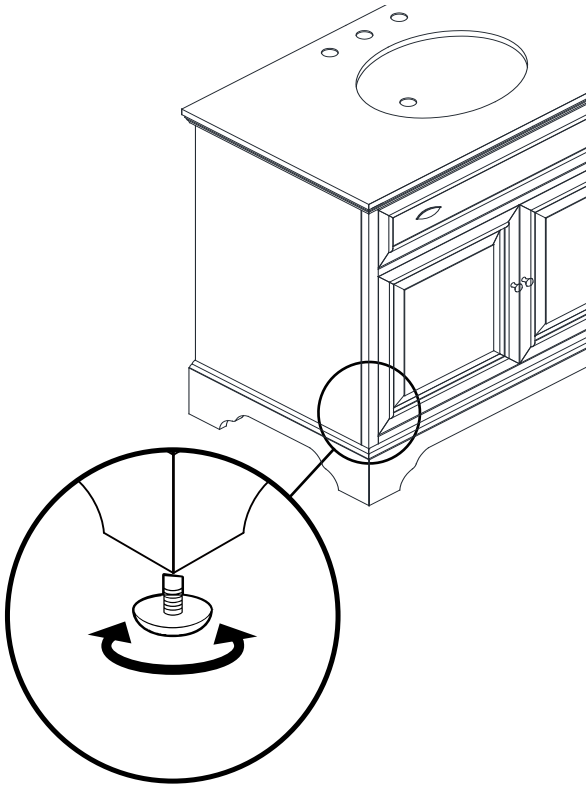


Part	Description	Quantity
A	Vanity	1

# Installation

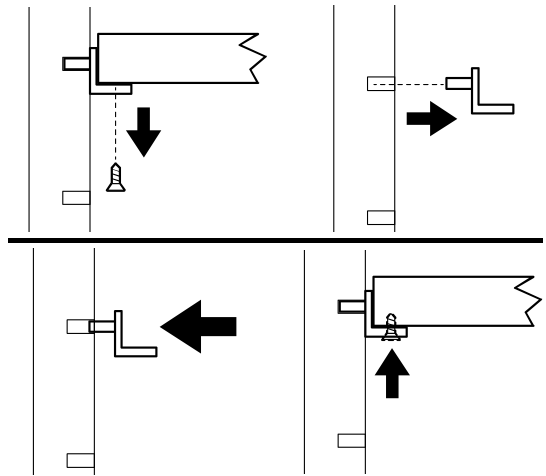
## 1 Adjusting the levelers

- Adjust the leg levelers to ensure that the vanity is even.



## 2 Adjusting the shelves

- Remove the shelf screws securing the shelf to the shelf bracket.
- Remove the shelf from the floor cabinet.
- Insert the shelf brackets into the desired holes. Ensure that all the shelf brackets are level.
- Gently insert the shelf into the vanity and secure it to the shelf brackets using the shelf screws.



## Maintenance

- In the event that your furniture is stained or otherwise damaged during use, we recommend that you call a professional to repair your furniture.
- Check bolts/screws periodically and tighten them if necessary.

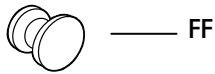
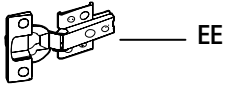
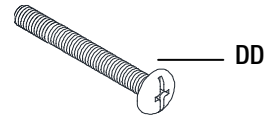
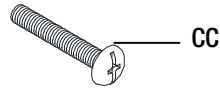
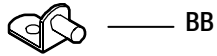
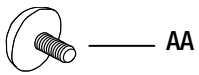
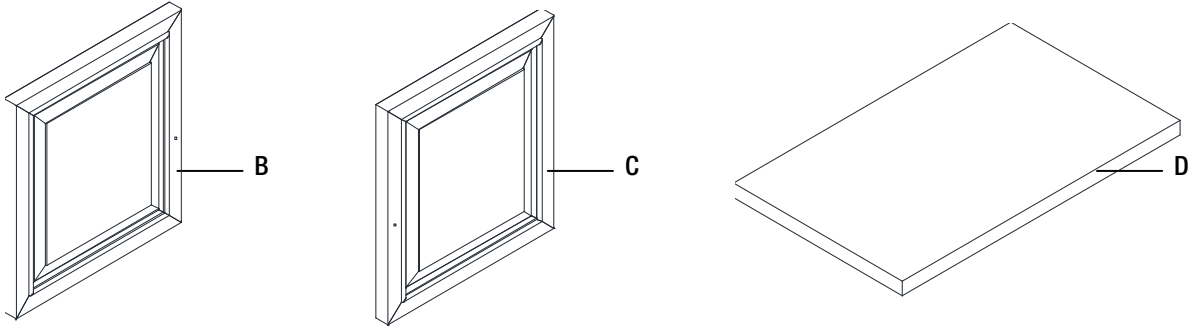
## Care and Cleaning

- Use a soft, clean cloth that will not scratch the surface when dusting.
- Use of furniture polishes is not necessary. Should you chose to use polishes, test the polish in an inconspicuous area before using over the entire surface of the product.
- Using solvents of any kind on your furniture may damage the finish.
- Never use water to clean your furniture as it may cause damage to the finish.
- Always use coasters under beverage glasses and flowerpots.
- Liquid spills should be removed immediately. Use a soft and clean cloth to blot the spill gently. Avoid rubbing.
- Always use protective pads under hot dishes and plates. Heat can cause chemical changes that may create spotting within the furniture finish.
- Use care as stains or marks from crayons or ink markers will be difficult to remove.
- Be sure to immediately clean red wine or soda stains within 30 minutes or the surface will stain.

## Troubleshooting

PROBLEM	POSSIBLE CAUSE	CORRECTIVE ACTION
The vanity is tilted.	The levelers are not level.	Adjust the levelers to ensure they are level.

# Service Parts



Part	Description	Quantity
B	Left door	1
C	Right door	1
D	Adjustable shelf	1

Part	Description	Quantity
AA	Leveler	4
BB	Shelf pin	4
CC	Screw for door knob	2
DD	Screw for faux drawer handle	4
EE	Hinge	4
FF	Door knob	2
GG	Faux drawer handle	2

# HOME DECORATORS COLLECTION

Questions, problems, missing parts? Before returning to the store,  
call Home Decorators Collection Customer Service  
8 a.m. - 7 p.m., EST, Monday - Friday, 9 a.m.- 6 p.m., EST, Saturday

**1-800-986-3460**

**[HOMEDEPOT.COM/HOMEDECORATORS](http://HOMEDEPOT.COM/HOMEDECORATORS)**

Retain this manual for future use.